

Use the carriage lever to lift the toast to **Peek & View™** at any time without cancelling the toasting cycle.

before using your Kenwood appliance

- Read these instructions carefully and retain for future reference.
- Remove all packaging and any labels.

safety

- Burnt food can catch fire, so:
 - never leave your toaster on unattended;
 - keep your toaster away from anything (eg curtains) that could catch fire;
 - set the browning control lower for thin or dry bread;
 - never warm food with a topping or filling (eg pizza): if it drips into the toaster, it could catch fire.
 - Clean the crumb tray regularly: crumbs can smoke or burn.
- To avoid electric shocks, **never**:
 - let the toaster, cord or plug get wet; or
 - put **your hand** or anything metal, eg a knife or foil, into the toaster.
- Always unplug the toaster when not in use, before cleaning or attempting to clear jammed bread.
- Never cover your toaster with a plate or anything else - it could overheat and catch fire.
- Never let the cord hang down where a child could grab it.
- We recommend that you do not use your toaster directly under wall cupboards.
- Do not move the toaster whilst it is in operation.
- Never touch hot surfaces especially the metal top area.

- Never use an unauthorised attachment or accessory.
- Never use a damaged toaster. Get it checked or repaired: see 'Service & Customer Care'.
- This appliance is not intended to be operated by means of an external timer or separate remote-control system.
- This appliance is not intended for use by persons (including children) with reduced physical, sensory or mental capabilities, or lack of experience and knowledge, unless they have been given supervision or instruction concerning use of the appliance by a person responsible for their safety.
- Children should be supervised to ensure that they do not play with the appliance.
- Only use the appliance for its intended domestic use. Kenwood will not accept any liability if the appliance is subject to improper use, or failure to comply with these instructions.

before plugging in

- Make sure your electricity supply is the same as the one shown on the underside of your toaster.
- This appliance conforms to EC directive 2004/108/EC on Electromagnetic Compatibility and EC regulation no. 1935/2004 of 27/10/2004 on materials intended for contact with food.

Important – UK only

- The wires in the cord are coloured as follows:
Green and Yellow = Earth,
Blue = Neutral,
Brown = Live.

- The appliance must be protected by a 13A approved (BS1362) fuse.
- **WARNING: THIS APPLIANCE MUST BE EARTHED.**

Note:

- For non-rewireable plugs the fuse cover **MUST** be refitted when replacing the fuse. If the fuse cover is lost then the plug must not be used until a replacement can be obtained. The correct fuse cover is identified by colour and a replacement may be obtained from your Kenwood Authorised Repairer (see Service).
- If a non-rewireable plug is cut off it must be **DESTROYED IMMEDIATELY**. An electric shock hazard may arise if an unwanted non-rewireable plug is inadvertently inserted into a 13A socket outlet.

before using for the first time

- 1 Wrap excess cord around the cord storage device on the underside of the toaster ①.
- Operate the toaster once on a medium setting without bread. (The lever will not stay down unless the toaster is plugged in).
 - As with all new heating elements, your toaster may emit a slight burning smell when it is first switched on. This is normal and not a cause for concern.

key

- ① **Peek & View™** carriage lever (with 'Hi-Rise™' for extra lift)
- ② browning control
- ③ reheat button with indicator light
- ④ defrost button with indicator light
- ⑤ cancel button with indicator light
- ⑥ crumb tray
- ⑦ cord storage

to use your toaster


- 1 Plug the toaster into the power supply.
- 2 Move the browning control to the desired setting. Use a low setting for light toasting and for thin or dry bread.
- 3 Insert the bread, muffins, bagels etc.
- 4 Lower the lever ② until it locks. The 'cancel' button will illuminate. (The lever will not stay down unless the toaster is plugged in).
- To toast frozen bread, once the bread is lowered press the 'defrost' button. The 'defrost' button will illuminate.
- To warm toast that's popped up but gone cold, lower the toast then press the 'reheat' button. The 'reheat' button will illuminate.
- Use the carriage lever to lift the toast to **Peek & View™** at any time without cancelling the toasting cycle.
- To **stop** toasting during the cycle, press the 'cancel' button, the toast will pop up and the 'cancel' button light will go off.
- 5 **Your toast will pop up automatically**, to raise it higher, lift the lever.

hints on using your toaster

- Select a lower setting for light browning, for toasting one slice only or for dry bread.
- When toasting a single slice of bread, you may notice a variation in toast colour from one side to the other - this is normal.
- Dry/stale bread toasts more quickly than fresh bread and thinly sliced bread toasts more quickly than thickly sliced bread. Therefore the browning control should be set at a lower setting than usual.

- For best results ensure that the bread slices are of an even thickness, freshness and size.
- In order to achieve uniform browning we recommend you wait a minimum of 30 seconds between each toasting so that the control can automatically reset. Alternatively select a lower setting when additional toasting is carried out.
- **TTP210 series** For best results larger slices of bread are best positioned long ways in the slot.

care and cleaning

- 1 Before cleaning, unplug your toaster and let it cool down.
- 2 Slide out the crumb tray . Clean, then replace. Do this regularly: crumbs can smoke or even burn.
- 3 Wipe the outside of the toaster with a damp cloth, then dry. Do not use abrasives.

service & customer care

- If the cord is damaged it must, for safety reasons, be replaced by KENWOOD or an authorised KENWOOD repairer.

If you need help with:

- using your toaster or
- servicing or repairs (in or out of guarantee)
- ☎ call Kenwood customer care on **023 9239 2333**. Have your **model number ready** - it's on the underside of your toaster.
- **spares and attachments**
- ☎ call 0870 2413653.
- **other countries**
- Contact the shop where you bought your toaster.

- Designed and engineered by Kenwood in the UK.
- Made in China.



IMPORTANT INFORMATION FOR CORRECT DISPOSAL OF THE PRODUCT IN ACCORDANCE WITH EC DIRECTIVE 2002/96/EC.

At the end of its working life, the product must not be disposed of as urban waste.

It must be taken to a special local authority differentiated waste collection centre or to a dealer providing this service.

Disposing of a household appliance separately avoids possible negative consequences for the environment and health deriving from inappropriate disposal and enables the constituent materials to be recovered to obtain significant savings in energy and resources. As a reminder of the need to dispose of household appliances separately, the product is marked with a crossed-out wheeled dustbin.

guarantee (UK only)

If your toaster goes wrong within one year from the date you bought it, we will repair or replace it free of charge provided:

- you have not misused, neglected or damaged it;
- it has not been modified (unless by Kenwood);
- it is not second-hand;
- it has not been used commercially;
- you have not fitted a plug incorrectly; and
- **you supply your receipt to show when you bought it.**

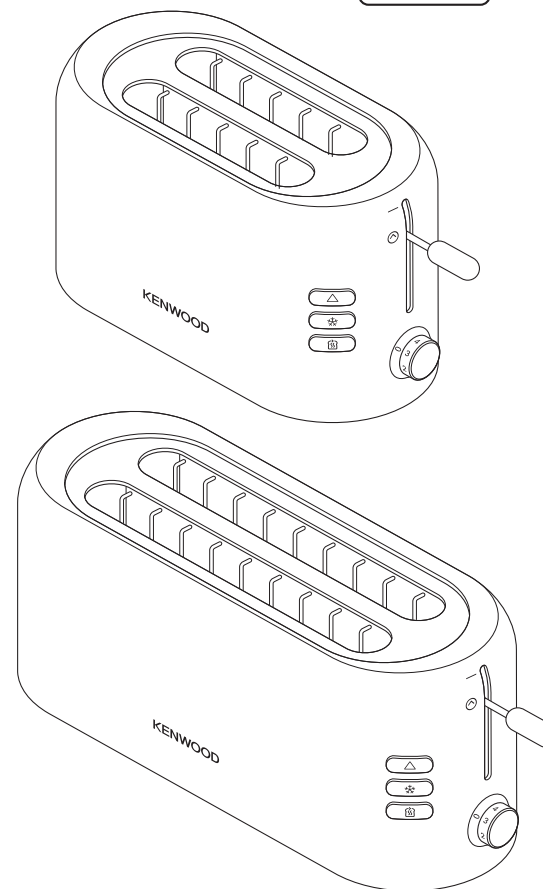
This guarantee does not affect your statutory rights.



Head Office Address:
Kenwood Limited, New Lane, Havant, Hampshire PO9 2NH, UK
www.kenwoodworld.com
Designed and engineered by Kenwood in the UK
Made in China

40367/1

KENWOOD



TTP200 series

TTP210 series