



HEARTH PRODUCTS

HEARTH PRODUCTS
KITS AND ACCESSORIES

506033-21
REV. A 09/2011

LEG LEVELING PADS KIT
BELLA™, GRANDVIEW™

INSTALLATION INSTRUCTIONS FOR LEG LEVELING PADS FOR USE WITH BELLA™ PELLET
STOVES AND GRANDVIEW™ WOOD STOVES WITH COASTAL OR LAKEVIEW LEGS



KIT CONTENTS (See Figure 1)

- 4 ea. Leg Leveling Pads
- 1 ea. Instruction Sheet



Cat. #	Model	Description
H7638	BELLA-LLK	Leg Leveling Pads Kit

TOOLS NEEDED

Escalera or other Heavy Lifting Device

GENERAL INFORMATION

If you encounter any problems, need clarification of these instructions or are not qualified to properly install this kit, contact your local distributor or dealer. Read this instruction sheet in its entirety before beginning the installation.

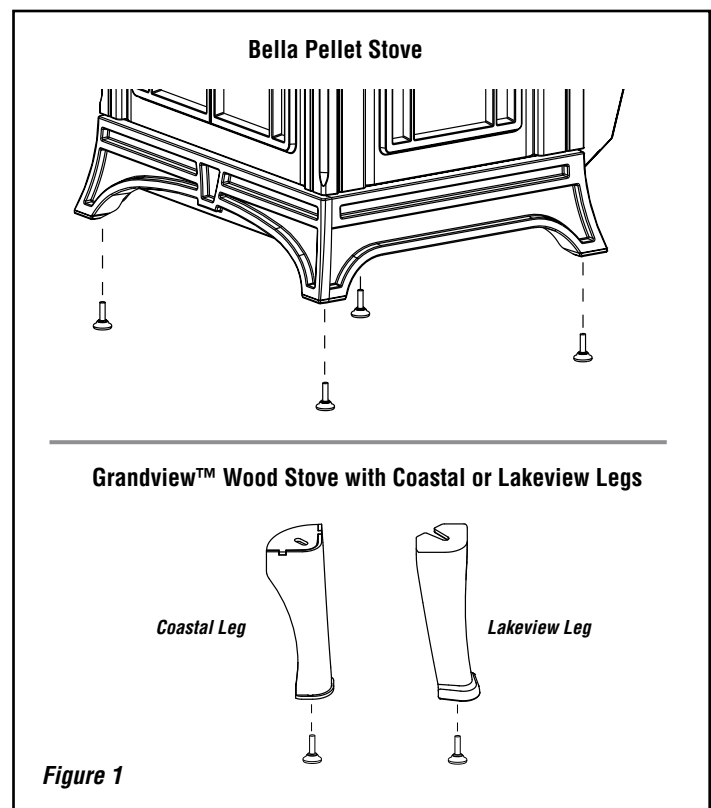
ALL WARNINGS AND PRECAUTIONS IN THE INSTALLATION AND OPERATION MANUAL PROVIDED WITH THE APPLIANCE APPLY TO THESE INSTRUCTIONS.

TURN OFF THE STOVE AND ALLOW IT TO COMPLETELY COOL BEFORE PROCEEDING.

INSTALLATION INSTRUCTIONS (STANDARD INSTALLATION)

Step 1. Using an escalera or other heavy lifting device, secure and lift the stove to expose the bottom of the cast legs.

Step 2. Screw in leg leveling pads to all four (4) legs (Figure 1).



NOTE: DIAGRAMS & ILLUSTRATIONS ARE NOT TO SCALE.

Lennox Hearth Products reserves the right to make changes at any time, without notice, in design, materials, specifications, prices and the discontinuance of colors, styles and products. Consult your local distributor for fireplace code information.