

KitchenAid®

BEVERAGE CENTER

Use & Care Guide

For questions about features, operation/performance, parts, accessories, or service, call: **1-800-422-1230** or visit our website at...

www.kitchenaid.com

In Canada, call: **1-800-807-6777**, or visit our website at...

www.KitchenAid.ca

REFRIGERADOR PARA BEBIDAS

Manual de uso y cuidado

Para consultas respecto a características, operación/desempeño, partes, accesorios o servicio, llame al: **1-800-422-1230** o visite nuestra página de internet...

www.kitchenaid.com

En Canadá, llame al: **1-800-807-6777** o visite nuestra página de internet...

www.KitchenAid.ca

RÉFRIGÉRATEUR POUR BOISSONS

Guide d'utilisation et d'entretien

Au Canada, pour assistance, installation ou service, composez le **1-800-807-6777** ou visitez notre site web à...

www.KitchenAid.ca

Table of Contents/Índice/Table des matières2

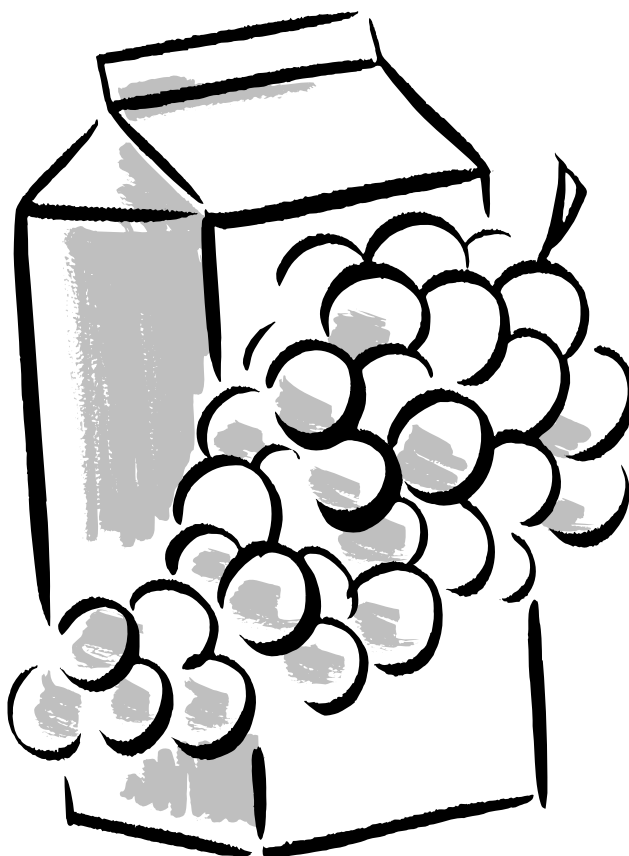


TABLE OF CONTENTS

BEVERAGE CENTER SAFETY	3	Stocking the Beverage Center	7
Proper Disposal of Your Old Refrigerated Appliance	3	Lighting the Beverage Center	7
INSTALLATION INSTRUCTIONS	4	BEVERAGE CENTER CARE	8
Tools and Parts	4	Cleaning	8
Location Requirements	4	Changing the Light Bulb	8
Electrical Requirements	4	Vacation and Moving Care	8
Unpack the Beverage Center	4	TROUBLESHOOTING	9
Door Closing	5	ASSISTANCE OR SERVICE	10
Base Grille	5	In the U.S.A.	10
BEVERAGE CENTER USE	6	In Canada	10
Normal Sounds	6	Accessories	10
Using the Control	6	WARRANTY	11
Beverage/Wine Racks	6		

ÍNDICE

SEGURIDAD DEL REFRIGERADOR PARA BEBIDAS	12	Portabebidas/portabotellas	15
Cómo deshacerse adecuadamente de su aparato refrigerado viejo	12	Cómo almacenar en el refrigerador para bebidas	16
INSTRUCCIONES DE INSTALACIÓN	13	Cómo iluminar el refrigerador para bebidas	16
Piezas y herramientas	13	CUIDADO DEL REFRIGERADOR PARA BEBIDAS	17
Requisitos de ubicación	13	Limpieza	17
Requisitos eléctricos	13	Cómo cambiar el foco	17
Desempaque del refrigerador para bebidas	13	Cuidado durante las vacaciones y mudanzas	18
Cómo cerrar la puerta	14	SOLUCIÓN DE PROBLEMAS	18
Rejilla de la base	14	AYUDA O SERVICIO TÉCNICO	20
USO DEL REFRIGERADOR PARA BEBIDAS	15	En los EE.UU.	20
Sonidos normales	15	En Canadá	20
Uso del control	15	Accesorios	20
		GARANTÍA	21

TABLE DES MATIÈRES

SÉCURITÉ DU RÉFRIGÉRATEUR POUR BOISSONS	22	Stockage dans le réfrigérateur pour boissons	26
Mise au rebut de votre vieil appareil réfrigéré	22	Éclairage du réfrigérateur pour boissons	26
INSTRUCTIONS D'INSTALLATION	23	ENTRETIEN DU RÉFRIGÉRATEUR POUR BOISSONS	27
Outillage et pièces	23	Nettoyage	27
Exigences d'emplacement	23	Changement de l'ampoule d'éclairage	27
Spécifications électriques	23	Précautions à prendre pour les vacances et avant un déménagement	28
Déballage du réfrigérateur pour boissons	23	DÉPANNAGE	28
Fermeture de la porte	24	ASSISTANCE OU SERVICE	30
Grille de la base	24	Aux États-Unis	30
UTILISATION DU RÉFRIGÉRATEUR POUR BOISSONS	25	Au Canada	30
Sons normaux	25	Accessoires	30
Utilisation de la commande	25	GARANTIE	31
Grilles pour le remisage des boissons et du vin	25		

BEVERAGE CENTER SAFETY

Your safety and the safety of others are very important.

We have provided many important safety messages in this manual and on your appliance. Always read and obey all safety messages.



This is the safety alert symbol.

This symbol alerts you to potential hazards that can kill or hurt you and others.

All safety messages will follow the safety alert symbol and either the word "DANGER" or "WARNING." These words mean:

⚠ DANGER

You can be killed or seriously injured if you don't **immediately** follow instructions.

⚠ WARNING

You can be killed or seriously injured if you don't follow instructions.

All safety messages will tell you what the potential hazard is, tell you how to reduce the chance of injury, and tell you what can happen if the instructions are not followed.

IMPORTANT SAFETY INSTRUCTIONS

WARNING: To reduce the risk of fire, electric shock, or injury when using your beverage center, follow these basic precautions:

- Plug into a grounded 3 prong outlet.
- Do not remove ground prong.
- Do not use an adapter.
- Do not use an extension cord.
- Disconnect power before servicing.
- Replace all parts and panels before operating.
- Remove door or drawer(s) from your old refrigerated appliance.
- Use nonflammable cleaner.
- Keep flammable materials and vapors, such as gasoline, away from beverage center.
- Use two or more people to move and install beverage center.

SAVE THESE INSTRUCTIONS

Proper Disposal of Your Old Refrigerated Appliance

⚠ WARNING

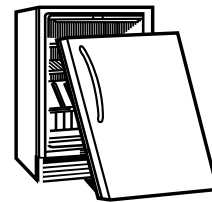
Suffocation Hazard

Remove door or drawer(s) from your old refrigerated appliance.

Failure to do so can result in death or brain damage.

Before You Throw Away Your Old Refrigerated Appliance:

- Take off the door.
- Leave the racks and shelves in place so that children may not easily climb inside.



IMPORTANT: Child entrapment and suffocation are not problems of the past. Junked or abandoned beverage centers are still dangerous – even if they will sit for "just a few days." If you are getting rid of your old beverage center, please follow these instructions to help prevent accidents.

INSTALLATION INSTRUCTIONS

Tools and Parts

TOOLS NEEDED:

Gather the required tools and parts before starting installation.

- Phillips screwdriver

Location Requirements

⚠ WARNING



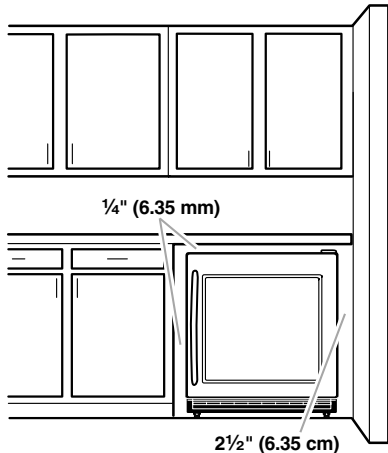
Explosion Hazard

Keep flammable materials and vapors, such as gasoline, away from beverage center.

Failure to do so can result in death, explosion, or fire.

To ensure proper ventilation for your beverage center, allow for a 1/4" (6.35 mm) space on each side and at the top. When installing your beverage center next to a fixed wall, leave 2 1/2" (6.35 cm) minimum clearance on the hinge side to allow for the door to swing open.

NOTE: It is recommended that you do not install the beverage center near an oven, radiator, or other heat source. Do not install in a location where the temperature will fall below 55°F (13°C). For best performance, do not install the beverage center behind a cabinet door or block the base grille.



Electrical Requirements

⚠ WARNING



Electrical Shock Hazard

Plug into a grounded 3 prong outlet.

Do not remove ground prong.

Do not use an adapter.

Do not use an extension cord.

Failure to follow these instructions can result in death, fire, or electrical shock.

Before you move your beverage center into its final location, it is important to make sure you have the proper electrical connection.

Recommended grounding method

A 115 Volt, 60 Hz., AC only, 15- or 20-amp fused, grounded electrical supply is required. It is recommended that a separate circuit serving only your beverage center be provided. Use an outlet that cannot be turned off by a switch. Do not use an extension cord.

NOTE: Before performing any type of installation, cleaning, or removing a light bulb, unplug beverage center or disconnect power.

Unpack the Beverage Center

⚠ WARNING

Excessive Weight Hazard

Use two or more people to move and install beverage center.

Failure to do so can result in back or other injury.

Remove the Packaging

- Remove tape and glue residue from surfaces before turning on the beverage center. Rub a small amount of liquid dish soap over the adhesive with your fingers. Wipe with warm water and dry.
- Do not use sharp instruments, rubbing alcohol, flammable fluids, or abrasive cleaners to remove tape or glue. These products can damage the surface of your beverage center. For more information, see "Beverage Center Safety."

- Dispose of/recycle all packaging materials.

When Moving Your Beverage Center:

Your beverage center is heavy. When moving the appliance for cleaning and service, be sure to protect the floor. Always pull the appliance straight out when moving it. Do not wiggle or “walk” the appliance when trying to move it, as floor damage could occur.

Clean Before Using

After you remove all of the packaging materials, clean the inside of your beverage center before using it. See the cleaning instructions in “Beverage Center Care.”

Important information to know about glass shelves and covers:

Do not clean glass shelves or covers with warm water when they are cold. Shelves and covers may break if exposed to sudden temperature changes or impact, such as bumping. For your protection, tempered glass is designed to shatter into many small, pebble-size pieces. This is normal. Glass shelves and covers are heavy. Use special care when removing them to avoid impact from dropping.

Door Closing

Door Closing

Your beverage center has four leveling legs. If your beverage center seems unsteady or you want the door to close more easily, adjust the beverage center’s tilt using the instructions below.

⚠ WARNING



Electrical Shock Hazard

- Plug into a grounded 3 prong outlet.
- Do not remove ground prong.
- Do not use an adapter.
- Do not use an extension cord.
- Failure to follow these instructions can result in death, fire, or electrical shock.

1. Plug into a grounded 3 prong outlet.

⚠ WARNING

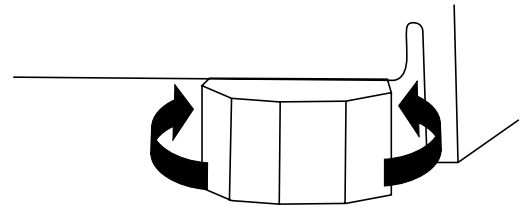
Excessive Weight Hazard

Use two or more people to move and install beverage center.

Failure to do so can result in back or other injury.

2. Move the beverage center into its final location.
3. Turn the leveling legs to the right to lower the beverage center or turn the leveling legs to the left to raise it. It may take several turns of the leveling legs to adjust the tilt of the beverage center.

NOTE: Having someone push against the top of the beverage center takes some weight off the leveling legs. This makes it easier to adjust the leveling legs.

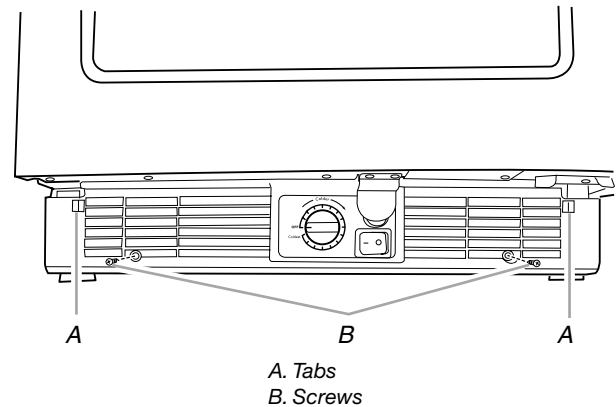


4. Open the door and check to make sure that it closes as easily as you like. If not, tilt the beverage center slightly more to the rear by turning both front leveling screws to the right. It may take several more turns, and you should turn both leveling legs the same amount.

Base Grille

Remove the Base Grille

1. Open the beverage center door.
2. Using a Phillips screwdriver, remove the two screws. Push both tabs in toward the center to release the base grille from the beverage center.



3. Remove the base grille.

Replace the Base Grille

1. Open the beverage center door.
2. Position the base grille so that both tabs align and the base grille snaps into place. Replace the two screws. Tighten the screws.

BEVERAGE CENTER USE

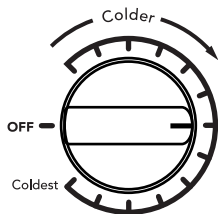
Normal Sounds

Your new beverage center may make sounds that your old one didn't make. Because the sounds are new to you, you might be concerned about them. Most of the new sounds are normal. Hard surfaces, such as the flooring and surrounding structures, can make the sounds seem louder. The following describes the kinds of sounds and what may be making them.

- Your beverage center is designed to run more efficiently to keep your food items at the desired temperatures and to minimize energy usage. The high efficiency compressor and fans may cause your beverage center to run longer than your old one. You may also hear a pulsating or high-pitched sound from the compressor or fans adjusting to optimize performance.
- Rattling noises may come from the flow of refrigerant or items stored inside the beverage center.
- As each cycle ends, you may hear a gurgling sound due to the refrigerant flowing in your beverage center.
- You may hear water running into the drain pan when the beverage center is defrosting.
- You may hear clicking sounds when the beverage center starts or stops running.

Using the Control

For your convenience, your beverage center control is preset at the factory. When you first install your beverage center, make sure that the control is still preset to the mid-setting as shown.



Adjusting Controls

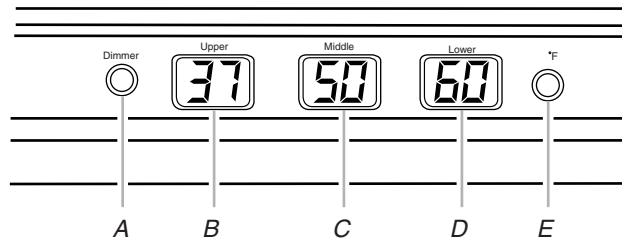
The mid-setting indicated in the previous section should be correct for normal usage. The control is set correctly when beverages are as cold as you like.

If you need to adjust the temperature, wait at least 24 hours between adjustments and then recheck the temperature.

To make the beverage center colder, adjust the control to the next higher setting. To make the beverage center less cold, adjust the control to the next lower setting.

Temperature Separator (Temperature Display)

The temperature separator displays the current temperatures (Fahrenheit or Celsius) for the upper, middle and lower zones (compartments) of the beverage center. To adjust the temperature settings, see "Adjusting Controls" earlier in this section.

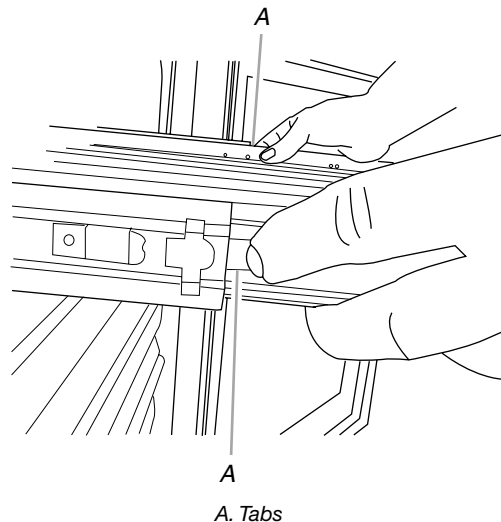


- A. Dimmer
- B. Upper zone display
- C. Middle zone display
- D. Lower zone display
- E. Fahrenheit/Celsius

Beverage/Wine Racks

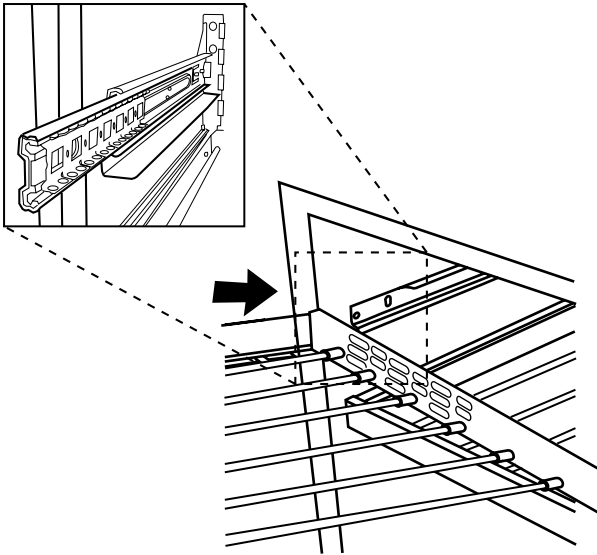
To Remove and Replace the Racks

1. Pull the rack forward until it stops. Push in on the tabs to release the rack. Continue pulling the rack forward and lift it up and out of the rack supports.



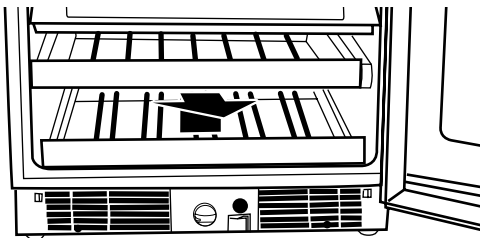
A. Tabs

2. Replace the rack by inserting the rack into the supports and sliding it toward the rear of the beverage center.



To Remove and Replace the Bottom Rack

1. Lift the rack (front and back) up and pull straight out to remove.



2. Replace the rack by pushing it straight back and over the stop. Continue pushing the rack straight back and evenly until it is in place.

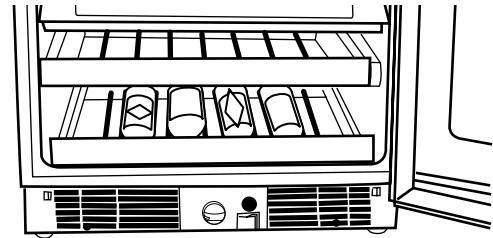
Stocking the Beverage Center

NOTE: For optimum beverage and wine storage, place white wines at the top of the beverage center in the wine rack. Place red wines at the bottom.

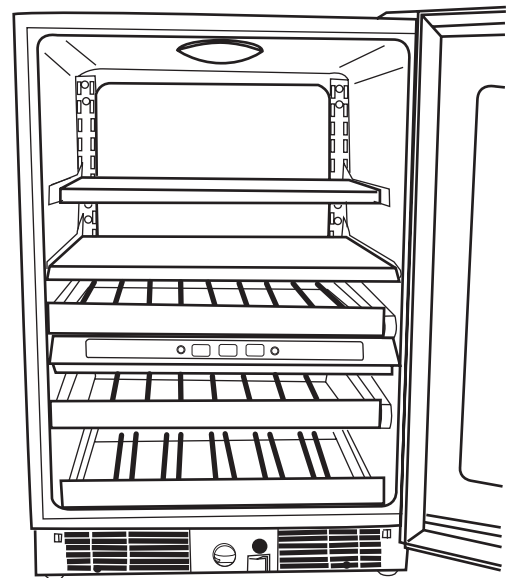
To Stock the Beverage Center

1. Start stocking the beverage center with the bottom display rack.
2. Starting on the left-hand side, place the first bottle of wine on the bottom of the rack with the neck of the bottle facing the back of the beverage center.

3. Place the next bottle on its side with the neck of the bottle facing the front of the beverage center.



4. Alternate in this manner until the display rack is full.
5. Pull the next rack forward.
6. Starting on the left-hand side, place the first bottle on the rack with the neck of the bottle facing forward.
7. Place the next bottle on the shelf with the neck of the bottle facing the rear of the beverage center.
8. Continue alternating in this manner until the rack is full.
9. Slide the rack into place and continue stocking each remaining rack as described above.
10. Place juices, sodas or other canned beverages on the glass shelves.



Lighting the Beverage Center

The beverage center has an interior light that comes on any time the door is opened. You may also turn the light on at any time by opening the door and pressing the exterior switch located beside the temperature control knob on the base grille.

NOTE: Leaving the light on for an extended period of time will slightly increase the temperature of the beverage center.

BEVERAGE CENTER CARE

Cleaning

⚠ WARNING



Explosion Hazard

Use nonflammable cleaner.

Failure to do so can result in death, explosion, or fire.

Clean the beverage center about once a month to avoid build-up of odors. Wipe up spills immediately.

To clean your beverage center:

1. Unplug beverage center or disconnect power.
2. Remove all racks and shelves from inside the beverage center.
3. Hand wash, rinse, and dry removable parts and interior surfaces thoroughly. Use a clean sponge or soft cloth and a mild detergent in warm water.
 - To protect wood trim pieces, do not immerse the entire rack into water when cleaning.
 - Do not use abrasive or harsh cleaners such as window sprays, scouring cleansers, flammable fluids, cleaning waxes, concentrated detergents, bleaches or cleansers containing petroleum products on plastic parts, interior and door liners or gaskets. Do not use paper towels, scouring pads, or other harsh cleaning tools. These can scratch or damage materials.
 - To help remove odors, you can wash interior walls with a mixture of warm water and baking soda (2 tbs to 1 qt [26 g to 0.95 L] of water).
4. Wash stainless steel and painted exteriors with a clean sponge or soft cloth and a mild detergent in warm water. Do not use abrasive or harsh cleaners, or cleaners containing chlorine. These can scratch or damage materials. Dry thoroughly with a soft cloth. For additional protection against damage to painted metal exteriors, apply appliance wax (or auto paste wax) with a clean, soft cloth. Do not wax plastic parts.

NOTE: To keep your stainless steel beverage center looking like new and to remove minor scuffs or marks, it is suggested that you use the manufacturer's approved Stainless Steel Cleaner & Polish. To order the cleaner, see "Accessories."

IMPORTANT: This cleaner is for stainless steel parts only!

Do not allow the Stainless Steel Cleaner & Polish to come into contact with any plastic parts such as the trim pieces, dispenser covers or door gaskets. If accidental contact does occur, clean plastic part with a sponge and mild detergent in warm water. Dry thoroughly with a soft cloth.
5. Replace the racks and shelves.

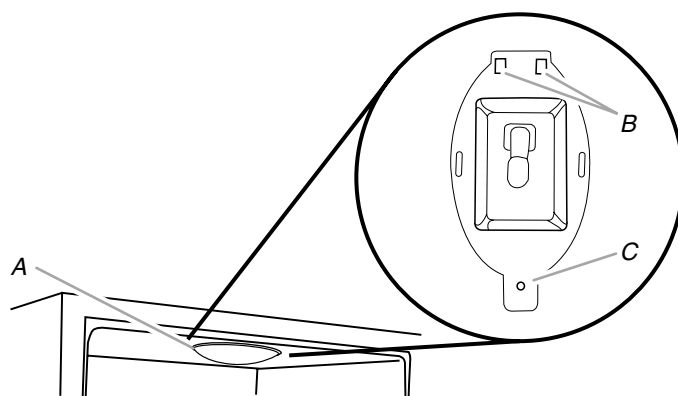
6. Clean the condenser coils regularly. They are located behind the base grille. Coils may need to be cleaned as often as every other month. This may help save energy.
 - Remove the base grille. See "Base Grille."
 - Use a vacuum cleaner with an extended attachment to clean the condenser coils when they are dusty or dirty.
 - Replace the base grille.
7. Plug in beverage center or reconnect power.

Changing the Light Bulb

NOTE: Not all appliance bulbs will fit your beverage center. Be sure to replace the bulb with one of the same size, shape, and wattage.

To change the light bulb:

1. Unplug beverage center or disconnect power.
2. Using a Phillips screwdriver, remove the screw located at the back of the light shield. Pull the light shield back to remove the tabs from the appliance. Remove the light shield.



A. Light shield
B. Tabs
C. Screw

3. Replace the bulb.
4. Reinstall the light shield by inserting the tabs. Align the holes and insert the screw. Tighten the screw.
5. Plug in beverage center or reconnect power.

Vacation and Moving Care

Vacations

If you choose to turn the beverage center off before you leave, follow these steps.

1. Remove all wine bottles from the beverage center.
2. Unplug the beverage center.
3. Clean the beverage center. See "Cleaning."
4. Tape a rubber or wood block to the top of the door to prop it open far enough for air to get in. This stops odor and mold from building up.

Moving

When you are moving your beverage center to a new home, follow these steps to prepare it for the move.

1. Remove all wine bottles from the beverage center.
2. Unplug the beverage center.

3. Clean, wipe, and dry it thoroughly.
4. Take out all removable parts, wrap them well, and tape them together so they don't shift and rattle during the move.
5. Tape the doors shut and tape the power cord to the beverage center.

When you get to your new home, put everything back and refer to the "Installation Instructions" section for preparation instructions.

TROUBLESHOOTING

Try the solutions suggested here first in order to avoid the cost of an unnecessary service call.

Your beverage center will not operate

⚠ WARNING



Electrical Shock Hazard

Plug into a grounded 3 prong outlet.

Do not remove ground prong.

Do not use an adapter.

Do not use an extension cord.

Failure to follow these instructions can result in death, fire, or electrical shock.

- **Is the power supply cord unplugged?** Plug into a grounded 3 prong outlet.
- **Has a household fuse blown, or has a circuit breaker tripped?** Replace the fuse or reset the circuit.
- **Is the Beverage Center Control turned to the OFF position?** See "Using the Control."

The lights do not work

- **Is a light bulb loose in the socket?** Unplug beverage center or disconnect power. Gently remove the bulb and reinsert. Plug in beverage center or reconnect power.
- **Has a light bulb burned out?** Replace with an appliance bulb of the same wattage, size, and shape. See "Changing the Light Bulb."

The motor seems to run too much

- **Is the temperature outside hotter than normal?** Expect the motor to run longer under warm conditions. At normal temperatures, expect your motor to run about 40% to 80% of the time. Under warmer conditions, expect it to run even more of the time.
- **Is the door opened often?** Expect the motor to run longer when this occurs. In order to conserve energy, try to get everything you need out of the beverage center at once, keep wine bottles positioned label side up so that they are easy to find, and close the door as soon as the wine is removed.
- **Is the control set correctly for the surrounding conditions?** See "Using the Control."
- **Is the door closed completely?** Push the door firmly shut. If it will not shut all the way, see "The door will not close completely" later in this section.
- **Are the condenser coils dirty?** This obstructs air transfer and makes the motor work harder. Clean the condenser coils. See "Cleaning."

Temperature is too warm

- **Is the door opened often?** Be aware that the beverage center will warm when this occurs. In order to keep the beverage center cool, try to get everything you need out of the beverage center at once, keep wine bottles positioned label side up so that they are easy to find, and close the door as soon as the wine is removed.
- **Is the control set correctly for the surrounding conditions?** See "Using the Control."
- **Is the base grille blocked?** For best performance, do not install the beverage center behind a cabinet door or block the base grille.

There is interior moisture buildup

- **Is the door opened often?** To avoid humidity buildup, try to get everything you need out of the beverage center at once, keep wine bottles positioned label side up so that they are easy to find, and close the door as soon as the wine is removed. When the door is opened, humidity from the room air enters the beverage center. The more often the door is opened, the faster humidity builds up, especially when the room itself is very humid.
- **Is it humid?** It is normal for moisture to build up inside the beverage center when the air is humid.
- **Is the control set correctly for the surrounding conditions?** See "Using the Control."

The door is difficult to open

WARNING



Explosion Hazard

Use nonflammable cleaner.

Failure to do so can result in death, explosion, or fire.

- **Is the gasket dirty or sticky?** Clean the gasket and the surface that it touches. Rub a thin coat of paraffin wax on the gasket following cleaning.

The door will not close completely

WARNING



Explosion Hazard

Use nonflammable cleaner.

Failure to do so can result in death, explosion, or fire.

- **Is the gasket sticking?** Clean the gasket and the surface that it touches. Rub a thin coat of paraffin wax on the gasket following cleaning.

ASSISTANCE OR SERVICE

Before calling for assistance or service, please check “Troubleshooting.” It may save you the cost of a service call. If you still need help, follow the instructions below.

When calling, please know the purchase date and the complete model and serial number of your appliance. This information will help us to better respond to your request.

If you need replacement parts

If you need to order replacement parts, we recommend that you only use factory specified replacement parts. Factory specified replacement parts will fit right and work right because they are made with the same precision used to build every new KITCHENAID® appliance.

To locate factory specified replacement parts in your area, call us or your nearest designated service center.

In the U.S.A.

Call the KitchenAid Customer eXperience Center toll free: **1-800-422-1230**.

Our consultants provide assistance with:

- Features and specifications on our full line of appliances.
- Installation information.
- Use and maintenance procedures.
- Accessory and repair parts sales.
- Specialized customer assistance (Spanish speaking, hearing impaired, limited vision, etc.).
- Referrals to local dealers, repair parts distributors, and service companies. KitchenAid designated service technicians are trained to fulfill the product warranty and provide after-warranty service, anywhere in the United States.

To locate the KitchenAid designated service company in your area, you can also look in your telephone directory Yellow Pages.

For further assistance

If you need further assistance, you can write to KitchenAid with any questions or concerns at:

KitchenAid Brand Home Appliances
Customer eXperience Center
553 Benson Road
Benton Harbor, MI 49022-2692

Please include a daytime phone number in your correspondence.

In Canada

Call the KitchenAid Canada Customer Interaction Centre toll free: **1-800-807-6777**.

Our consultants provide assistance with:

- Features and specifications on our full line of appliances.
- Use and maintenance procedures.
- Accessory and repair parts sales.
- Referrals to local dealers, repair parts distributors, and services companies. KitchenAid Canada designated service technicians are trained to fulfill the product warranty and provide after-warranty service, anywhere in Canada.

For further assistance

If you need further assistance, you can write to KitchenAid Canada with any questions or concerns at:

KitchenAid Canada
Customer Interaction Centre
1901 Minnesota Court
Mississauga, Ontario L5N 3A7

Please include a daytime phone number in your correspondence.

Accessories

To order accessories, call **1-800-442-9991** and ask for the appropriate part number listed below or contact your authorized KitchenAid dealer. In Canada, call **1-800-807-6777**.

Stainless Steel Cleaner & Polish

Order Part #4396095

KITCHENAID® REFRIGERATOR WARRANTY

ONE YEAR LIMITED WARRANTY

For one year from the date of purchase, when this major appliance is operated and maintained according to instructions attached to or furnished with the product, KitchenAid or KitchenAid Canada (hereafter "KitchenAid") will pay for factory specified parts and repair labor to correct defects in materials or workmanship. Service must be provided by a KitchenAid designated service company.

SECOND THROUGH FIFTH YEAR LIMITED WARRANTY ON CAVITY LINER AND SEALED REFRIGERATION SYSTEM PARTS AS LISTED

In the second through fifth years from the date of purchase, when this refrigerator is operated and maintained according to instructions attached to or furnished with the product, KitchenAid will pay for replacement or repair of the refrigerator/freezer cavity liner (including labor costs) if the part cracks due to defective materials or workmanship. Also, in the second through fifth years from the date of purchase, KitchenAid will pay for factory specified parts and labor to correct defects in materials or workmanship in the sealed refrigeration system. These parts are: compressor, evaporator, condenser, dryer, and connecting tubing. Service must be provided by a KitchenAid designated service company.

ITEMS KITCHENAID WILL NOT PAY FOR

1. Service calls to correct the installation of your major appliance, to instruct you how to use your major appliance, to replace or repair house fuses or to correct house wiring or plumbing.
 2. Service calls to repair or replace appliance light bulbs, air filters or water filters. Those consumable parts are excluded from warranty coverage.
 3. Repairs when your major appliance is used for other than normal, single-family household use.
 4. Damage resulting from accident, alteration, misuse, abuse, fire, flood, acts of God, improper installation, installation not in accordance with electrical or plumbing codes, or use of products not approved by KitchenAid.
 5. Any food loss due to refrigerator or freezer product failures.
 6. Replacement parts or repair labor costs for units operated outside the United States or Canada.
 7. Pickup and delivery. This major appliance is designed to be repaired in the home.
 8. Repairs to parts or systems resulting from unauthorized modifications made to the appliance.
 9. Expenses for travel and transportation for product service in remote locations.
 10. The removal and reinstallation of your appliance if it is installed in an inaccessible location or is not installed in accordance with published installation instructions.
-

DISCLAIMER OF IMPLIED WARRANTIES; LIMITATION OF REMEDIES

CUSTOMER'S SOLE AND EXCLUSIVE REMEDY UNDER THIS LIMITED WARRANTY SHALL BE PRODUCT REPAIR AS PROVIDED HEREIN. IMPLIED WARRANTIES, INCLUDING WARRANTIES OF MERCHANTABILITY OR FITNESS FOR A PARTICULAR PURPOSE, ARE LIMITED TO ONE YEAR OR THE SHORTEST PERIOD ALLOWED BY LAW. KITCHENAID SHALL NOT BE LIABLE FOR INCIDENTAL OR CONSEQUENTIAL DAMAGES. SOME STATES AND PROVINCES DO NOT ALLOW THE EXCLUSION OR LIMITATION OF INCIDENTAL OR CONSEQUENTIAL DAMAGES, OR LIMITATIONS ON THE DURATION OF IMPLIED WARRANTIES OF MERCHANTABILITY OR FITNESS, SO THESE EXCLUSIONS OR LIMITATIONS MAY NOT APPLY TO YOU. THIS WARRANTY GIVES YOU SPECIFIC LEGAL RIGHTS AND YOU MAY ALSO HAVE OTHER RIGHTS, WHICH VARY FROM STATE TO STATE OR PROVINCE TO PROVINCE.

Outside the 50 United States and Canada, this warranty does not apply. Contact your authorized KitchenAid dealer to determine if another warranty applies.

If you need service, first see the "Troubleshooting" section of the Use & Care Guide. After checking "Troubleshooting," additional help can be found by checking the "Assistance or Service" section or by calling KitchenAid. In the U.S.A., call **1-800-422-1230**. In Canada, call **1-800-807-6777**.

1/06

Keep this book and your sales slip together for future reference. You must provide proof of purchase or installation date for in-warranty service.

Write down the following information about your major appliance to better help you obtain assistance or service if you ever need it. You will need to know your complete model number and serial number. You can find this information on the model and serial number label located on the product.

Dealer name _____
Address _____
Phone number _____
Model number _____
Serial number _____
Purchase date _____

SEGURIDAD DEL REFRIGERADOR PARA BEBIDAS

Su seguridad y la seguridad de los demás es muy importante.

Hemos incluido muchos mensajes importantes de seguridad en este manual y en su electrodoméstico. Lea y obedezca siempre todos los mensajes de seguridad.



Este es el símbolo de advertencia de seguridad.

Este símbolo le llama la atención sobre peligros potenciales que pueden ocasionar la muerte o una lesión a usted y a los demás.

Todos los mensajes de seguridad irán a continuación del símbolo de advertencia de seguridad y de la palabra "PELIGRO" o "ADVERTENCIA". Estas palabras significan:

⚠ PELIGRO

Si no sigue las instrucciones de inmediato, usted puede morir o sufrir una lesión grave.

⚠ ADVERTENCIA

Si no sigue las instrucciones, usted puede morir o sufrir una lesión grave.

Todos los mensajes de seguridad le dirán el peligro potencial, le dirán cómo reducir las posibilidades de sufrir una lesión y lo que puede suceder si no se siguen las instrucciones.

INSTRUCCIONES IMPORTANTES DE SEGURIDAD

ADVERTENCIA: Para reducir el riesgo de incendio, choque eléctrico, o lesiones personales al usar su refrigerador para bebidas, siga estas precauciones básicas:

- Conecte a un contacto de pared de conexión a tierra de 3 terminales.
- No quite la terminal de conexión a tierra.
- No use un adaptador.
- No use un cable eléctrico de extensión.
- Desconecte el suministro de energía antes de darle servicio.
- Vuelva a colocar todos los componentes y paneles antes de hacerlo funcionar.
- Remueva la puerta o el(los) cajón(cajones) de su aparato refrigerado viejo.
- Use un limpiador no inflamable.
- Mantenga los materiales y vapores inflamables, tales como gasolina, alejados del refrigerador para bebidas.
- Use dos o más personas para mover e instalar el refrigerador para bebidas.

GUARDE ESTAS INSTRUCCIONES

Cómo deshacerse adecuadamente de su aparato refrigerado viejo

⚠ ADVERTENCIA

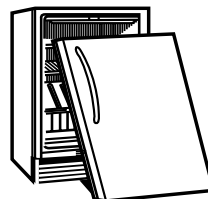
Peligro de Asfixia

Remueva la puerta o el(los) cajón(cajones) de su aparato refrigerado viejo.

No seguir esta instrucción puede ocasionar la muerte o daño al cerebro.

Antes de descartar su viejo aparato refrigerado:

- Saque la puerta.
- Deje las rejillas y los estantes en su lugar así los niños no pueden meterse adentro con facilidad.



IMPORTANTE: El atrapamiento y asfixia de niños no es un problema del pasado. Los refrigeradores para bebidas tirados y abandonados son un peligro, aún si van a quedar ahí "por unos pocos días". Si Ud. está por deshacerse de su refrigerador para bebidas viejo, por favor siga las instrucciones que se dan a continuación para prevenir accidentes.

INSTRUCCIONES DE INSTALACIÓN

Piezas y herramientas

HERRAMIENTAS NECESARIAS:

Reúna las herramientas y piezas necesarias antes de comenzar la instalación.

- Destornillador Phillips

Requisitos de ubicación

⚠ ADVERTENCIA



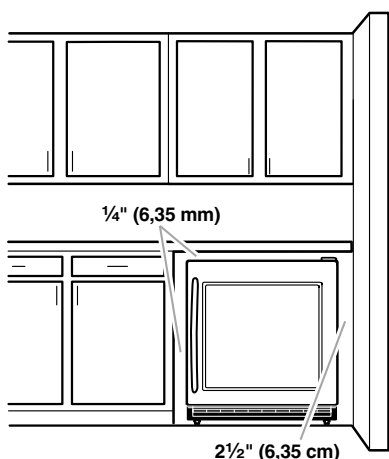
Peligro de Explosión

Mantenga los materiales y vapores inflamables, tales como gasolina, alejados del refrigerador para bebidas.

No seguir esta instrucción puede ocasionar la muerte, explosión, o incendio.

Para asegurarse la ventilación adecuada del refrigerador para bebidas, deje un espacio de 1/4" (6,35 mm) a cada lado y por encima. Si Ud. instala el refrigerador próximo a una pared fija, deje como mínimo 2 1/2" (6,35 cm) del lado de la bisagra para permitir que la puerta abra bien.

NOTA: No se recomienda instalar el refrigerador para bebidas cerca de un horno, radiador u otra fuente de calor. No la instale en un lugar donde la temperatura puede ser menor de 55°F (13°C). Para obtener un óptimo funcionamiento, no instale el refrigerador para bebidas detrás de la puerta de un armario ni bloquee la rejilla de la base.



Requisitos eléctricos

⚠ ADVERTENCIA



Peligro de Choque Eléctrico

Conecte a un contacto de pared de conexión a tierra de 3 terminales.

No quite la terminal de conexión a tierra.

No use un adaptador.

No use un cable eléctrico de extensión.

No seguir estas instrucciones puede ocasionar la muerte, incendio o choque eléctrico.

Antes de mover el refrigerador para bebidas a su ubicación final, es importante asegurarse de que tiene la conexión eléctrica adecuada.

Método de conexión a tierra recomendado

Se requiere una fuente de energía eléctrica de 115 Voltios, 60 Hz., CA solamente y con fusibles de 15 ó 20 amperios, debidamente conectados a tierra. Se recomienda que use un circuito separado sólo para su refrigerador para bebidas. Use un tomacorriente que no se pueda apagar con un interruptor. No use un cable eléctrico de extensión.

NOTA: Antes de realizar cualquier tipo de instalación, limpie o de quite un foco de luz, desenchufe el refrigerador para bebidas o desconecte el suministro de energía.

Desempaque del refrigerador para bebidas

⚠ ADVERTENCIA

Peligro de Peso Excesivo

Use dos o más personas para mover e instalar el refrigerador para bebidas.

No seguir esta instrucción puede ocasionar una lesión en la espalda u otro tipo de lesiones.

Cómo quitar los materiales de empaque

- Quite los residuos de cinta y goma de las superficies antes de encender el refrigerador para bebidas. Frote un poco de detergente líquido para vajillas sobre el adhesivo con los dedos. Limpie con agua tibia y seque.
- No use instrumentos filosos, alcohol para fricciones, líquidos inflamables o productos de limpieza abrasivos para eliminar los restos de cinta o goma. Estos productos pueden dañar la superficie de su refrigerador para bebidas. Para obtener más información, vea "Seguridad del refrigerador para bebidas".

- Deshágase de todos los materiales de embalaje o recíclelos.

Cuando mueva su refrigerador para bebidas:

Su refrigerador para bebidas es muy pesado. Cuando mueva el electrodoméstico para limpiarla y darle servicio, proteja el piso. Al mover el electrodoméstico, siempre tire directamente hacia afuera. No menee el electrodoméstico de lado a lado ni lo haga “caminar” cuando lo trate de mover ya que podría dañar el piso.

Limpieza antes del uso

Una vez que usted haya quitado todos los materiales de empaque, limpie el interior de su refrigerador para bebidas antes de usarlo. Vea las instrucciones de limpieza en “Cuidado del refrigerador para bebidas”.

Información importante para saber acerca de los estantes y tapas de vidrio:

No limpie los estantes y tapas de vidrio con agua caliente mientras están fríos. Los estantes y tapas pueden romperse si se exponen a cambios bruscos de temperatura o impacto, como sería un golpe brusco. Para su protección, el vidrio templado se ha diseñado para hacerse añicos. Esto es normal. Los estantes y tapas de vidrio son muy pesados. Tenga mucho cuidado al sacarlos para evitar que se dañen al caer.

Cómo cerrar la puerta

Cómo cerrar la puerta

Su refrigerador para bebidas tiene cuatro patas niveladoras. Si su refrigerador para bebidas parece inestable o usted quiere que la puerta se cierre con mayor facilidad, ajuste la inclinación del refrigerador para bebidas usando las instrucciones a continuación.

⚠ ADVERTENCIA



Peligro de Choque Eléctrico

Conecte a un contacto de pared de conexión a tierra de 3 terminales.

No quite la terminal de conexión a tierra.

No use un adaptador.

No use un cable eléctrico de extensión.

No seguir estas instrucciones puede ocasionar la muerte, incendio o choque eléctrico.

1. Conecte a un contacto de pared de conexión a tierra de 3 terminales.

⚠ ADVERTENCIA

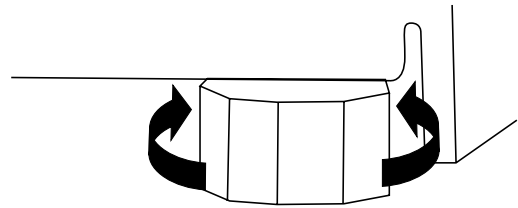
Peligro de Peso Excesivo

Use dos o más personas para mover e instalar el refrigerador para bebidas.

No seguir esta instrucción puede ocasionar una lesión en la espalda u otro tipo de lesiones.

2. Mueva el refrigerador para bebidas hacia su posición final.
3. Gire las patas niveladoras hacia la derecha para bajar el refrigerador para bebidas o gírelas hacia la izquierda para levantarlo. Puede precisar darle varias vueltas a las patas niveladoras para ajustar la inclinación del refrigerador para bebidas.

NOTA: Para quitar un poco de peso de las patas niveladoras, haga que alguien empuje la parte superior del refrigerador para bebidas. Esto facilita el ajuste de las patas niveladoras.

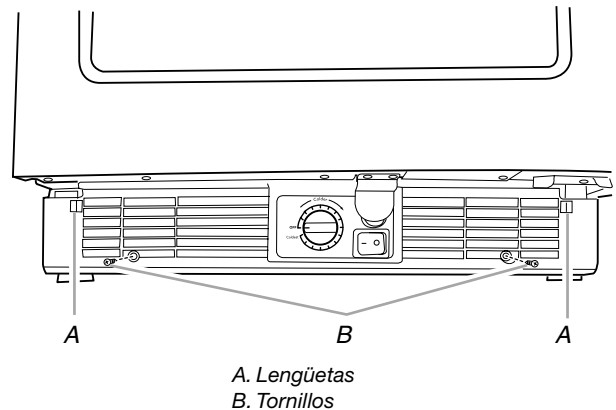


4. Abra la puerta y verifique para asegurarse de que se cierra con la facilidad que usted desea. De lo contrario, incline el refrigerador para bebidas ligeramente más hacia la parte posterior, girando ambos tornillos reguladores frontales hacia la derecha. Puede tomar varias vueltas más, y usted deberá girar ambas patas niveladoras la misma cantidad de veces.

Rejilla de la base

Quite la rejilla de la base

1. Abra la puerta del refrigerador para bebidas.
2. Saque los dos tornillos con un destornillador Phillips. Empuje ambas lengüetas hacia el centro para liberar la rejilla de la base del refrigerador para bebidas.



3. Quite la rejilla de la base.

Vuelva a colocar la rejilla de la base

1. Abra la puerta del refrigerador para bebidas.
2. Coloque la rejilla de la base de manera que ambas lengüetas estén alineadas y la rejilla de la base encaje en su lugar. Vuelva a colocar los dos tornillos. Apriete los tornillos.

USO DEL REFRIGERADOR PARA BEBIDAS

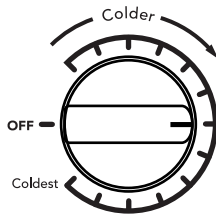
Sonidos normales

Su nuevo refrigerador para bebidas puede hacer ruidos que su viejo refrigerador para bebidas no hacía. Como estos sonidos son nuevos para Ud., puede ser que se preocupe. La mayoría de los sonidos nuevos son normales. Las superficies duras tales como el piso y las estructuras circundantes pueden hacer que los sonidos parezcan más fuertes. A continuación se describen los tipos de sonidos y qué puede causarlos.

- Su refrigerador para bebidas está diseñado para funcionar con más eficiencia para conservar sus alimentos a la temperatura deseada y para reducir al mínimo el uso de energía. El compresor y los ventiladores de alta eficiencia pueden causar que su nuevo refrigerador para bebidas funcione por períodos de tiempo más largos que su refrigerador para bebidas viejo. También puede escuchar un sonido pulsante o agudo del compresor o los ventiladores que se ajustan para un funcionamiento óptimo.
- Las vibraciones pueden producirse por el flujo de líquido refrigerante o artículos guardados dentro del refrigerador para bebidas.
- Al final de cada ciclo, Ud. puede escuchar un gorgoteo debido al flujo de líquido refrigerante en su refrigerador para bebidas.
- Ud. puede escuchar agua corriendo hacia la bandeja recolectora cuando el refrigerador para bebidas se está descongelando.
- Es posible que escuche sonidos como de chasquido cuando el refrigerador para bebidas comienza o deja de funcionar.

Uso del control

Para su comodidad, el control de su refrigerador para bebidas ha sido prefijado de fábrica. Al instalar su refrigerador para bebidas por primera vez, cerciórese de que el control aún esté prefijado en el ajuste medio, como se ilustra.



Cómo ajustar los controles

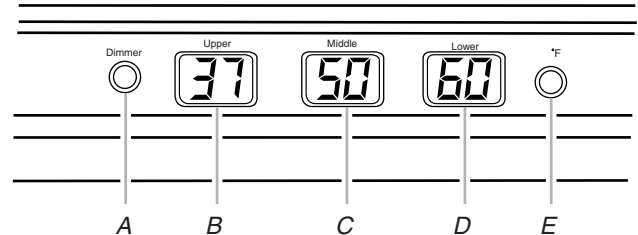
El ajuste medio indicado en la sección previa debe estar correcto para el uso normal. El control está fijado correctamente cuando las bebidas están tan frías como a usted le gusta.

Si necesita ajustar la temperatura, espere por lo menos 24 horas entre un ajuste y otro, y después vuelva a verificar la temperatura.

Para hacer que el refrigerador para bebidas esté más frío, coloque el control en el siguiente ajuste más alto. Para hacer que el refrigerador para bebidas esté menos frío, coloque el control en el siguiente ajuste más bajo.

Separador de temperatura (Pantalla de temperatura)

El separador de temperatura muestra las temperaturas actuales (en Fahrenheit o centígrados) para las zonas (compartimientos) superior, media e inferior del refrigerador para bebidas. Para regular los ajustes de temperatura, vea "Cómo ajustar los controles" anteriormente en esta sección.

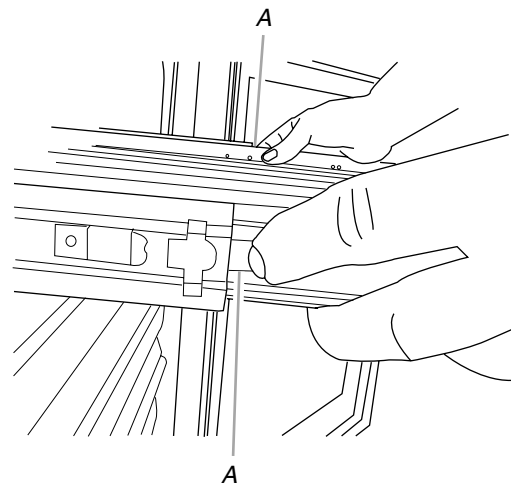


- A. Reductor de luz
- B. Pantalla de la zona superior
- C. Pantalla de la zona media
- D. Pantalla de la zona inferior
- E. Fahrenheit/centígrados

Portabebidas/portabotellas

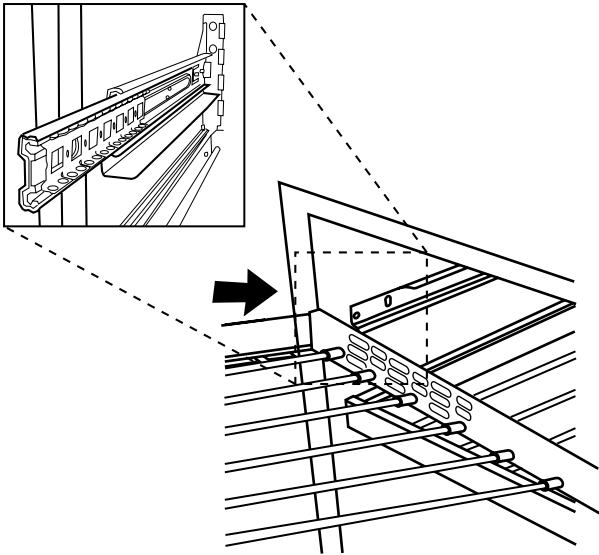
Para quitar y volver a colocar los estantes

1. Jale el estante hacia adelante hasta que se detenga. Empuje las lengüetas para liberar el estante. Continúe jalando el estante hacia delante y levántelo fuera de los soportes del mismo.



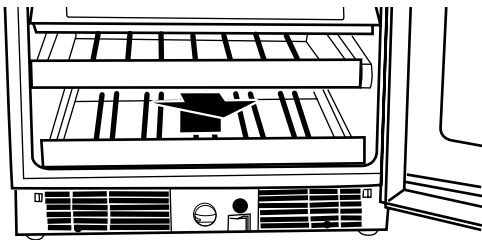
A. Lengüetas

2. Vuelva a colocar el estante insertándolo en los soportes y deslizándolo hacia atrás del refrigerador para bebidas.



Para quitar y volver a colocar la rejilla inferior

1. Levante la rejilla (por la parte frontal y trasera) y júlela derecho hacia afuera para quitarla.



2. Vuelva a colocar la rejilla empujando derecho hacia atrás, pasando el tope. Continúe empujando la rejilla derecho hacia atrás y uniformemente hasta que quede en su lugar.

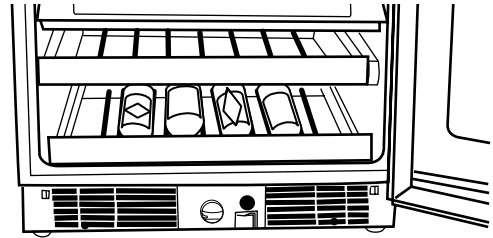
Cómo almacenar en el refrigerador para bebidas

NOTA: Para un óptimo almacenamiento de bebidas y vinos, coloque los vinos blancos en la parte superior del refrigerador para bebidas, en el portabotellas. Coloque los vinos tintos en la parte inferior.

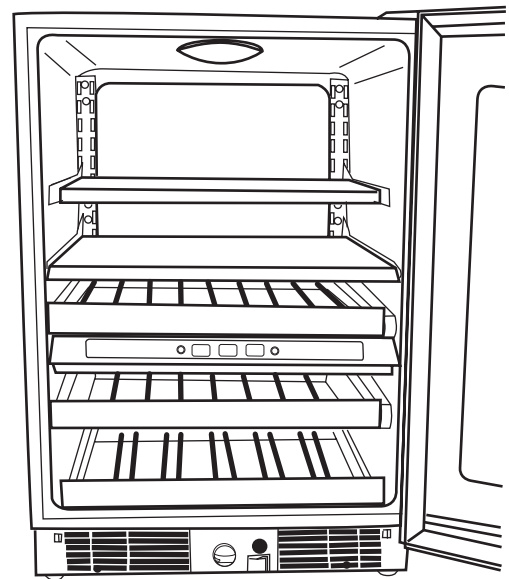
Al almacenar en el refrigerador para bebidas

1. Al almacenar en el refrigerador para bebidas, comience por el portabotellas inferior.
2. Empezando por el lado izquierdo, coloque la primera botella de vino sobre la parte inferior del estante, con el cuello de la botella mirando hacia la parte posterior del refrigerador para bebidas.

3. Coloque la próxima botella al costado, con el cuello de la botella mirando hacia la parte frontal del refrigerador para bebidas.



4. Alterne de esta manera hasta llenar el estante.
5. Jale hacia delante el próximo estante.
6. Empezando por el lado izquierdo, coloque la primera botella sobre el portabotellas, con el cuello de la botella mirando hacia adelante.
7. Coloque la próxima botella sobre el estante, con el cuello de la botella mirando hacia la parte posterior del refrigerador para bebidas.
8. Continúe alternando de esta manera hasta llenar el estante.
9. Deslice el estante hacia su lugar y continúe almacenando cada estante restante como se describe arriba.
10. Coloque los jugos, sodas u otras bebidas envasadas sobre los estantes de vidrio.



Cómo iluminar el refrigerador para bebidas

El refrigerador para bebidas tiene una luz interior que se enciende cada vez que se abre la puerta. También puede encender la luz en cualquier momento, abriendo la puerta y presionando el interruptor externo que está ubicado al lado de la perilla de control, sobre la rejilla de la base.

NOTA: Si se deja la luz encendida por mucho tiempo, aumentará ligeramente la temperatura del refrigerador para bebidas.

CUIDADO DEL REFRIGERADOR PARA BEBIDAS

Limpieza

⚠️ ADVERTENCIA



Peligro de Explosión

Use un limpiador no inflamable.

No seguir esta instrucción puede ocasionar la muerte, explosión o incendio.

Limpie el refrigerador para bebidas más o menos una vez al mes para evitar la acumulación de olores. Limpie los derrames de inmediato.

Para limpiar su refrigerador para bebidas:

1. Desenchufe el refrigerador para bebidas o desconecte el suministro de energía.
2. Retire todas las rejillas y los estantes del interior del refrigerador para bebidas.
3. Lave a mano, enjuague y seque todas las partes desmontables y las superficies interiores meticulosamente. Use una esponja limpia o un paño liso y un detergente suave en agua tibia.
 - Para proteger las piezas del adorno de madera, no sumerja toda la rejilla en agua cuando la esté limpiando.
 - No use productos de limpieza abrasivos o ásperos, como aerosoles para ventanas, productos de limpieza para pulir, líquidos inflamables, ceras para limpieza, detergentes concentrados, blanqueadores o productos de limpieza que contengan productos de petróleo en las partes de plástico, revestimientos interiores o de la puerta o empaquetaduras. No use toallas de papel, estropajos para fregar u otros utensilios de limpieza ásperos. Éstos pueden rayar o dañar los materiales.
 - Para ayudar a eliminar olores, puede lavar las paredes interiores con una mezcla de agua tibia y bicarbonato de sodio (2 cucharadas en un cuarto de galón [26 g en 0,95 L] de agua).
4. Lave las superficies externas metálicas pintadas y de acero inoxidable con una esponja limpia o un paño suave y detergente delicado con agua tibia. No use productos de limpieza abrasivos o ásperos o que contengan cloro. Éstos pueden rayar o dañar los materiales. Seque meticulosamente con un paño suave. Para obtener una protección adicional contra daños a las superficies exteriores metálicas pintadas, aplique cera para electrodomésticos (o cera en pasta para autos) con un paño limpio y suave. No encere las partes de plástico.

NOTA: Para mantener como nuevo su refrigerador para bebidas de acero inoxidable y para quitar marcas o rayaduras pequeñas, se sugiere usar un limpiador de acero inoxidable aprobado por el fabricante. Para pedir el limpiador, vea "Accesorios".

IMPORTANTE: ¡Este limpiador es solamente para partes de acero inoxidable!

No permita que el limpiador de acero inoxidable entre en contacto con ninguna parte de plástico tales como las piezas decorativas, las tapas del despachador o las empaquetaduras de la puerta. Si se produce contacto accidental, limpie la pieza de plástico con una esponja y detergente suave en agua tibia. Seque meticulosamente con un paño suave.

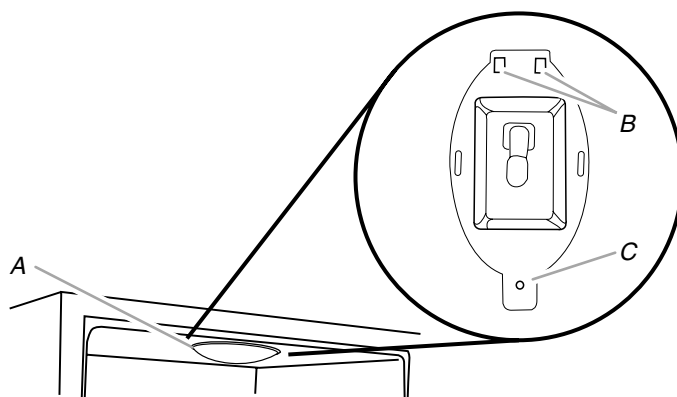
5. Vuelva a colocar las rejillas y los estantes.
6. Limpie los serpentines del condensador regularmente. Están ubicados detrás de la rejilla de la base. Quizás necesite limpiar los serpentines cada dos meses. Esto puede ayudar a ahorrar energía.
 - Quite la rejilla de la base. Vea "Rejilla de la base".
 - Use una aspiradora con extensión para limpiar los serpentines del condensador siempre que estén sucios o polvorientos.
 - Vuelva a colocar la rejilla de la base.
7. Enchufe el refrigerador para bebidas o reconecte el suministro de energía.

Cómo cambiar el foco

NOTA: No todos los focos para electrodomésticos son adecuados para su refrigerador para bebidas. Asegúrese de reemplazar el foco con otro del mismo tamaño, forma y vataje.

Para cambiar el foco:

1. Desenchufe el refrigerador para bebidas o desconecte el suministro de energía.
2. Saque el tornillo que está detrás de la pantalla de luz con un destornillador Phillips. Jale hacia atrás la pantalla de luz para quitar las lengüetas del electrodoméstico. Saque la pantalla de luz.



A. Pantalla de luz

B. Lengüetas

C. Tornillo

3. Reemplace el foco.
4. Vuelva a instalar la pantalla de luz insertando las lengüetas. Alinee los orificios e inserte el tornillo. Apriete el tornillo.
5. Enchufe el refrigerador para bebidas o reconecte el suministro de energía.

Cuidado durante las vacaciones y mudanzas

Vacaciones

Si Ud. decide apagar el refrigerador para bebidas antes de irse, siga estos pasos.

1. Saque todas las botellas de vino del refrigerador para bebidas.
2. Desenchufe el refrigerador para bebidas.
3. Limpie el refrigerador para bebidas. Vea "Limpieza".
4. Fije un bloque de goma o de madera con cinta adhesiva a la parte superior de la puerta para que quede abierta y el aire circule. Esto evita que se formen olores y que crezcan hongos.

Mudanza

Si Ud. muda su refrigerador para bebidas a una casa nueva, siga los siguientes pasos para prepararse para la mudanza.

1. Saque todas las botellas de vino del refrigerador para bebidas.
2. Desenchufe el refrigerador para bebidas.
3. Límpielo, enjuáguelo y séquelo detalladamente.
4. Saque todas las partes desmontables, envuélvalas bien y asegúrelas con cinta adhesiva para que no se sacudan durante la mudanza.
5. Sostenga las puertas cerradas y el cable pegado al gabinete del refrigerador para bebidas con cinta adhesiva.

Cuando llegue a la casa nueva, ponga todo de nuevo y lea la sección "Instrucciones de instalación" para obtener instrucciones de preparación.

SOLUCIÓN DE PROBLEMAS

Primero pruebe las soluciones sugeridas aquí para evitar el costo innecesario del servicio.

Su refrigerador para bebidas no funciona

⚠ ADVERTENCIA



Peligro de Choque Eléctrico

Conecte a un contacto de pared de conexión a tierra de 3 terminales.

No quite la terminal de conexión a tierra.

No use un adaptador.

No use un cable eléctrico de extensión.

No seguir estas instrucciones puede ocasionar la muerte, incendio o choque eléctrico.

- **¿Está desenchufado el cable de suministro de energía?** Conecte a un contacto de pared de conexión a tierra de 3 terminales.
- **¿Hay un fusible de la casa fundido o se disparó el cortacircuitos?** Reemplace el fusible o reposicione el cortacircuitos.
- **¿Está el control del refrigerador para bebidas en la posición OFF (Apagado)?** Vea "Uso del control".

Las luces no funcionan

- **¿Está flojo un foco?** Desenchufe el refrigerador para bebidas o desconecte el suministro de energía. Quite cuidadosamente el foco y vuelva a insertarlo. Enchufe el refrigerador para bebidas o reconecte el suministro de energía.
- **¿Se quemó un foco?** Reemplácelo con uno para electrodomésticos del mismo tamaño, forma y vatiaje. Vea "Cómo cambiar el foco".

Parece que el motor funciona excesivamente

- **¿Está la temperatura exterior más caliente de lo normal?** En condiciones de calor, el motor funciona por períodos más largos. Cuando la temperatura es normal, el motor funciona entre 40% y 80% del tiempo. Bajo condiciones más calientes, puede funcionar por aún más tiempo.
- **¿Se abre la puerta a menudo?** Cuando esto ocurre, el motor puede funcionar por períodos más largos. Para ahorrar energía, trate de sacar todo lo que necesite del refrigerador para bebidas de una vez, mantenga las botellas de vino con las etiquetas hacia arriba para que sean fáciles de encontrar y cierre la puerta una vez que se haya sacado el vino.

- **¿Se ha ajustado el control correctamente de acuerdo con las condiciones circundantes?** Vea “Uso del control”.
- **¿Está completamente cerrada la puerta?** Cierre la puerta con firmeza. Si no se cierra completamente, vea “La puerta no cierra completamente” más adelante en esta sección.
- **¿Están sucios los serpentines del condensador?** Esto obstruye la transferencia de aire y hace que el motor trabaje más. Limpie los serpentines del condensador. Vea “Limpieza”.

La temperatura está demasiado caliente

- **¿Se abre la puerta a menudo?** Sea consciente de que el refrigerador para bebidas se calienta cuando esto ocurre. Para mantener el refrigerador para bebidas frío, trate de sacar todo lo que necesite del mismo de una vez, mantenga las botellas de vino con las etiquetas hacia arriba para que sean fáciles de encontrar y cierre la puerta una vez que se haya sacado el vino.
- **¿Se ha ajustado el control correctamente de acuerdo con las condiciones circundantes?** Vea “Uso del control”.
- **¿Está bloqueada la rejilla de la base?** Para obtener un óptimo funcionamiento, no instale el refrigerador para bebidas detrás de la puerta de un armario ni bloquee la rejilla de la base.

Hay acumulación de humedad en el interior

- **¿Se abre la puerta a menudo?** Para evitar la acumulación de humedad, trate de sacar todo lo que necesite del refrigerador para bebidas de una vez, mantenga las botellas de vino con las etiquetas hacia arriba para que sean fáciles de encontrar y cierre la puerta una vez que se haya sacado el vino. Cuando la puerta está abierta, la humedad de la habitación entra al refrigerador para bebidas. La humedad se acumula más rápido cuanto más seguido se abre la puerta, especialmente cuando la habitación está muy húmeda.
- **¿Hay humedad?** Es normal que se acumule humedad dentro del refrigerador para bebidas cuando el aire está húmedo.
- **¿Se ha ajustado el control correctamente de acuerdo con las condiciones circundantes?** Vea “Uso del control”.

Es difícil abrir la puerta

ADVERTENCIA



Peligro de Explosión

Use un limpiador no inflamable.

No seguir esta instrucción puede ocasionar la muerte, explosión o incendio.

- **¿Está la empaquetadura sucia o pegajosa?** Limpie la empaquetadura y la superficie que ésta toque. Frote una capa delgada de cera de parafina sobre la empaquetadura después de la limpieza.

La puerta no cierra completamente

- **¿Están fuera de posición las rejillas o los estantes?** Coloque nuevamente las rejillas o los estantes en su posición correcta. Vea “Uso del refrigerador para bebidas” para obtener más información.

ADVERTENCIA



Peligro de Explosión

Use un limpiador no inflamable.

No seguir esta instrucción puede ocasionar la muerte, explosión o incendio.

- **¿Está la empaquetadura pegajosa?** Limpie la empaquetadura y la superficie que ésta toque. Frote una capa delgada de cera de parafina sobre la empaquetadura después de la limpieza.

AYUDA O SERVICIO TÉCNICO

Antes de solicitar ayuda o servicio técnico, por favor consulte la sección "Solución de Problemas". Esto le podría ahorrar el costo de una visita de servicio técnico. Si considera que aún necesita ayuda, siga las instrucciones que aparecen a continuación.

Cuando llame, tenga a mano la fecha de compra y el número completo del modelo y de la serie de su electrodoméstico. Esta información nos ayudará a atender mejor a su pedido.

Si necesita piezas de repuesto

Si necesita pedir refacciones, recomendamos que use únicamente piezas de repuesto especificadas de fábrica. Las piezas de repuesto especificadas de fábrica encajarán bien y funcionarán bien ya que están confeccionadas con la misma precisión empleada en la fabricación de cada electrodoméstico nuevo de KITCHENAID®.

Para encontrar piezas de repuesto especificadas de fábrica en su localidad, llámenos o llame al centro de servicio técnico designado más cercano a su localidad.

En los EE.UU.

Llame al centro para la eXperiencia del cliente de KitchenAid sin costo alguno al: **1-800-422-1230**.

Nuestros consultores ofrecen ayuda para:

- Características y especificaciones de nuestra línea completa de electrodomésticos.
- Información sobre la instalación.
- Procedimiento para el uso y mantenimiento.
- Venta de accesorios y partes para reparación.
- Asistencia especializada para el consumidor (habla hispana, problemas de audición, visión limitada, etc.).
- Recomendaciones con distribuidores locales, compañías que dan servicio y distribuidores de partes para reparación. Los técnicos designados por KitchenAid están entrenados para cumplir con la garantía de producto y ofrecer servicio una vez que la garantía termine, en cualquier lugar de los Estados Unidos.

Para localizar a una compañía de servicio designada por KitchenAid en su área, también puede consultar la sección amarilla de su guía telefónica.

Para obtener asistencia adicional

Si necesita asistencia adicional, puede escribir a KitchenAid con sus preguntas o dudas a:

Centro para la eXperiencia del cliente de
KitchenAid Brand Home Appliances
553 Benson Road
Benton Harbor, MI 49022-2692

Por favor incluya en su correspondencia un número de teléfono en el que se le pueda localizar durante el día.

En Canadá

Llame al Centro de Interacción del Cliente de KitchenAid en Canadá sin costo alguno al: **1-800-807-6777**.

Nuestros consultores ofrecen ayuda para:

- Características y especificaciones de nuestra línea completa de electrodomésticos.
- Procedimiento para el uso y mantenimiento.
- Venta de accesorios y partes para reparación.
- Recomendaciones con distribuidores locales, compañías que dan servicio y distribuidores de partes para reparación. Los técnicos designados por KitchenAid Canada están entrenados para cumplir con la garantía de producto y ofrecer servicio una vez que la garantía termine, en cualquier lugar de Canadá.

Para obtener asistencia adicional

Si necesita asistencia adicional, puede escribir a KitchenAid Canada con sus preguntas o dudas a:

KitchenAid Canada
Customer Interaction Centre
1901 Minnesota Court
Mississauga, Ontario L5N 3A7

Por favor incluya en su correspondencia un número de teléfono en el que se le pueda localizar durante el día.

Accesorios

Para pedir accesorios, llame al **1-800-442-9991** y solicite el número de pieza apropiado que se detalla a continuación o póngase en contacto con su distribuidor autorizado de KitchenAid. En Canadá, llame al **1-800-807-6777**.

Limpiador de acero inoxidable

Pida la pieza No. 4396095

GARANTÍA DEL REFRIGERADOR DE KITCHENAID®

GARANTÍA LIMITADA DE UN AÑO

Durante un año a partir de la fecha de compra, siempre y cuando se dé a este electrodoméstico principal un uso y mantenimiento de conformidad con las instrucciones adjuntas o provistas con el producto, KitchenAid o KitchenAid Canada (en lo sucesivo denominado "KitchenAid") se hará cargo del costo de las piezas especificadas de fábrica y del trabajo de reparación para corregir defectos en los materiales o en la mano de obra. El servicio deberá ser suministrado por una compañía de servicio designada por KitchenAid.

GARANTÍA LIMITADA DEL SEGUNDO AL QUINTO AÑO EN EL REVESTIMIENTO DE LA CAVIDAD Y LAS PIEZAS DEL SISTEMA DE REFRIGERACIÓN SELLADO SEGÚN SE ENLISTAN

Durante el segundo al quinto año desde la fecha de compra, cuando este refrigerador sea operado y mantenido de acuerdo a las instrucciones adjuntas o provistas con el producto, KitchenAid pagará por el reemplazo o la reparación del revestimiento de la cavidad del refrigerador/congelador (incluyendo los costos de mano de obra) si la pieza se rompiera debido a defectos de material o de mano de obra. Además, del segundo al quinto año de la fecha de compra, KitchenAid pagará por las piezas especificadas de fábrica y mano de obra para corregir defectos en los materiales o la mano de obra en el sistema de refrigeración sellado. Estas piezas son: compresor, evaporador, condensador, secador y los tubos conectores. El servicio deberá ser suministrado por una compañía de servicio designada por KitchenAid.

KITCHENAID NO PAGARÁ POR LOS SIGUIENTES ARTÍCULOS

1. Visitas de servicio técnico para corregir la instalación de su electrodoméstico principal, para enseñarle a usar su electrodoméstico principal, para cambiar o reparar fusibles domésticos o para corregir la instalación eléctrica o de la tubería de la casa.
2. Visitas de servicio técnico para reparar o reemplazar focos para electrodomésticos, filtros de aire o filtros de agua. Esos insumos están excluidos de la cobertura de la garantía.
3. Reparaciones cuando su electrodoméstico principal se use de un modo diferente al doméstico normal de una familia.
4. Daños causados por accidente, alteración, uso indebido, abuso, incendio, inundación, actos fortuitos, instalación incorrecta, instalación que no esté de acuerdo con los códigos eléctricos o de plomería, o el empleo de productos no aprobados por KitchenAid.
5. Cualquier pérdida de comida debido a fallas del refrigerador o del congelador.
6. Piezas de repuesto o gastos de reparación para electrodomésticos que se empleen fuera de los Estados Unidos o Canadá.
7. Recogida y entrega. Este electrodoméstico principal está diseñado para ser reparado en el hogar.
8. Reparaciones de piezas o sistemas como resultado de modificaciones no autorizadas que se hayan efectuado en el electrodoméstico.
9. Gastos de viaje y transporte para obtener servicio del producto en lugares remotos.
10. La remoción e instalación de su electrodoméstico si estuviera instalado en un lugar inaccesible o si no estuviera instalado de conformidad con las instrucciones de instalación publicadas.

EXCLUSIÓN DE GARANTÍAS IMPLÍCITAS; LIMITACIÓN DE RECURSOS

EL ÚNICO Y EXCLUSIVO RECURSO DEL CLIENTE SEGÚN LOS TÉRMINOS DE ESTA GARANTÍA LIMITADA SERÁ EL DE REPARAR EL PRODUCTO SEGÚN SE ESTIPULA EN LA PRESENTE. LAS GARANTÍAS IMPLÍCITAS, INCLUYENDO LAS GARANTÍAS DE COMERCIABILIDAD O DE CAPACIDAD PARA UN PROPOSITO PARTICULAR, SERÁN LIMITADAS A UN AÑO O AL PERÍODO MÁS CORTO PERMITIDO POR LEY. KITCHENAID NO SE RESPONSABILIZARÁ POR DAÑOS INCIDENTALES O CONSECUENTES. ALGUNOS ESTADOS Y PROVINCIAS NO PERMITEN LAS EXCLUSIONES O LIMITACIONES POR DAÑOS INCIDENTALES O CONSECUENTES, O LIMITACIONES ACERCA DE CUÁNTO DEBE DURAR UNA GARANTÍA IMPLÍCITA DE COMERCIABILIDAD O CAPACIDAD, DE MODO QUE LAS LIMITACIONES O EXCLUSIONES ARRIBA MENCIONADAS PUEDEN NO APLICARSE EN SU CASO. ESTA GARANTÍA LE OTORGA DERECHOS LEGALES ESPECÍFICOS Y ES POSIBLE QUE USTED TENGA TAMBIÉN OTROS DERECHOS QUE PUEDEN VARIAR DE UN ESTADO A OTRO O DE UNA PROVINCIA A OTRA.

Esta garantía no tiene vigor fuera de los cincuenta Estados Unidos y Canadá. Póngase en contacto con el distribuidor autorizado de KitchenAid para determinar si corresponde otra garantía.

Si necesita servicio, consulte primero la sección "Solución de problemas" del Manual de uso y cuidado. Después de consultar la sección "Solución de problemas", puede encontrar ayuda adicional en la sección "Ayuda o servicio técnico", o llamando a KitchenAid. En EE.UU., llame al **1-800-422-1230**. En Canadá, llame al **1-800-807-6777**.

1/06

Guarde este libro y su comprobante de compra juntos para referencia futura. Usted deberá proporcionar el comprobante de la compra o una fecha de instalación para obtener servicio bajo la garantía.

Escriba la siguiente información acerca de su electrodoméstico principal para ayudarle mejor a obtener asistencia o servicio técnico si alguna vez llegara a necesitarlo. Deberá tener a mano el número completo del modelo y de la serie. Usted puede encontrar esta información en la etiqueta con el número de modelo y de serie ubicada en el producto.

Nombre del distribuidor _____

Dirección _____

Número de teléfono _____

Número de modelo _____

Número de serie _____

Fecha de compra _____

SÉCURITÉ DU RÉFRIGÉRATEUR POUR BOISSONS

Votre sécurité et celle des autres est très importante.

Nous donnons de nombreux messages de sécurité importants dans ce manuel et sur votre appareil ménager. Assurez-vous de toujours lire tous les messages de sécurité et de vous y conformer.



Voici le symbole d'alerte de sécurité.

Ce symbole d'alerte de sécurité vous signale les dangers potentiels de décès et de blessures graves à vous et à d'autres.

Tous les messages de sécurité suivront le symbole d'alerte de sécurité et le mot "DANGER" ou "AVERTISSEMENT". Ces mots signifient :

⚠ DANGER

Risque possible de décès ou de blessure grave si vous ne suivez pas immédiatement les instructions.

⚠ AVERTISSEMENT

Risque possible de décès ou de blessure grave si vous ne suivez pas les instructions.

Tous les messages de sécurité vous diront quel est le danger potentiel et vous disent comment réduire le risque de blessure et ce qui peut se produire en cas de non-respect des instructions.

IMPORTANTES INSTRUCTIONS DE SÉCURITÉ

AVERTISSEMENT : Pour réduire les risques d'incendie, de choc électrique ou de blessures lors de l'utilisation du réfrigérateur pour boissons, prendre quelques précautions fondamentales, y compris les suivantes :

- Brancher l'appareil sur une prise à 3 alvéoles reliée à la terre.
- Ne pas enlever la broche de liaison à la terre.
- Ne pas utiliser un adaptateur.
- Ne pas utiliser un câble de rallonge.
- Débrancher la source de courant électrique avant l'entretien.
- Replacer pièces et panneaux avant de faire la remise en marche.
- Enlever la porte ou le(s) tiroir(s) de votre vieil appareil réfrigéré.
- Utiliser un produit de nettoyage ininflammable.
- Garder les matières et les vapeurs inflammables, telle que l'essence, loin du réfrigérateur pour boissons.
- Utiliser deux ou plus de personnes pour déplacer et installer le réfrigérateur pour boissons.

CONSERVEZ CES INSTRUCTIONS

Mise au rebut de votre vieil appareil réfrigéré

⚠ AVERTISSEMENT

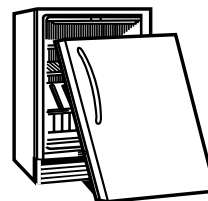
Risque de suffoquer

Enlever la porte ou le(s) tiroir(s) de votre vieil appareil réfrigéré.

Le non-respect de cette instruction peut causer un décès ou des lésions cérébrales.

Avant de jeter votre vieil appareil réfrigéré :

- Enlever la porte.
- Laisser les grilles et tablettes en place de sorte que les enfants ne puissent pas y pénétrer facilement.



IMPORTANT : L'emprisonnement et l'étouffement des enfants ne sont pas un problème du passé. Les réfrigérateurs pour boissons jetés ou abandonnés sont encore dangereux, même s'ils sont laissés abandonnés pendant "quelques jours seulement". Si vous vous débarrassez de votre vieux réfrigérateur pour boissons, veuillez suivre les instructions suivantes pour aider à éviter les accidents.

INSTRUCTIONS D'INSTALLATION

Outillage et pièces

OUTILLAGE NÉCESSAIRE :

Rassembler les outils et pièces nécessaires avant de commencer l'installation.

- Tournevis Phillips

Exigences d'emplacement

⚠ AVERTISSEMENT



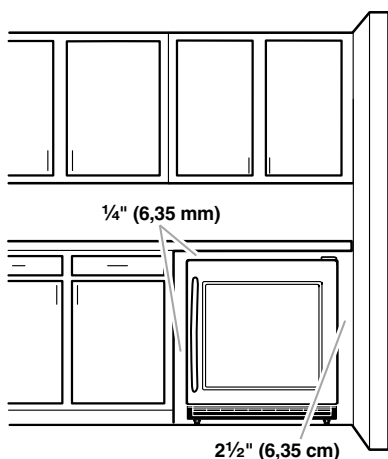
Risque d'explosion

Garder les matériaux et les vapeurs inflammables, telle que l'essence, loin du réfrigérateur pour boissons.

Le non-respect de cette instruction peut causer un décès, une explosion ou un incendie.

Pour obtenir une aération appropriée pour votre réfrigérateur pour boissons, laisser un espace de ¼" (6,35 mm) de chaque côté et au sommet. En cas d'installation du réfrigérateur près d'un mur fixe, laisser un minimum de 2½" (6,35 cm) du côté de la charnière pour permettre à la porte de s'ouvrir sans obstruction.

REMARQUE : On recommande de ne pas installer le réfrigérateur pour boissons près d'un four, d'un radiateur ou de toute autre source de chaleur. Ne pas installer l'appareil en un endroit où la température pourrait descendre en-dessous de 55°F (13°C). Pour le meilleur rendement, ne pas installer le réfrigérateur pour boissons derrière une porte d'armoire ni obstruer la grille de la base.



Spécifications électriques

⚠ AVERTISSEMENT



Risque de choc électrique

Brancher sur une prise à 3 alvéoles reliée à la terre.

Ne pas enlever la broche de liaison à la terre.

Ne pas utiliser un adaptateur.

Ne pas utiliser un câble de rallonge.

Le non-respect de ces instructions peut causer un décès, un incendie ou un choc électrique.

Avant de placer le réfrigérateur pour boissons à son emplacement final, il est important de vous assurer d'avoir la connexion électrique appropriée.

Méthode recommandée de mise à la terre

Une source d'alimentation de 115 volts, 60 Hz, type 15 ou 20 ampères CA seulement, protégée par fusible et adéquatement mise à la terre est nécessaire. Il est recommandé d'utiliser un circuit distinct pour alimenter uniquement votre réfrigérateur pour boissons. Utiliser une prise murale qui ne peut pas être mise hors circuit à l'aide d'un commutateur. Ne pas utiliser un câble de rallonge.

REMARQUE : Avant d'exécuter tout type d'installation, nettoyage ou remplacement d'une ampoule d'éclairage, débrancher le réfrigérateur pour boissons ou déconnecter la source de courant électrique.

Déballage du réfrigérateur pour boissons

⚠ AVERTISSEMENT

Risque du poids excessif

Utiliser deux ou plus de personnes pour déplacer et installer le réfrigérateur pour boissons.

Le non-respect de cette instruction peut causer une blessure au dos ou d'autre blessure.

Enlèvement des matériaux d'emballage

- Enlever tout résidu de ruban adhésif et de colle des surfaces avant de mettre en marche le réfrigérateur pour boissons. Frotter une petite quantité de savon liquide à vaisselle sur l'adhésif avec les doigts. Rincer à l'eau tiède et sécher.
- Ne pas utiliser d'instruments coupants, d'alcool à friction, de liquides inflammables ou de nettoyants abrasifs pour enlever le ruban adhésif ou la colle. Ces produits peuvent endommager la surface de votre réfrigérateur pour boissons. Pour plus de renseignements, voir "Sécurité du réfrigérateur pour boissons".

- Jeter ou recycler tous les matériaux d'emballage.

Déplacement de votre réfrigérateur pour boissons :

Votre réfrigérateur pour boissons est lourd. Lors du déplacement de l'appareil pour le nettoyage et le service, veiller à protéger le plancher. Toujours tirer l'appareil tout droit lors du déplacement. Ne pas incliner l'appareil d'un côté ou de l'autre ni le "faire marcher" en essayant de le déplacer car le plancher pourrait être endommagé.

Nettoyage avant utilisation

Après avoir enlevé tous les matériaux d'emballage, nettoyer l'intérieur du réfrigérateur pour boissons. Voir les instructions de nettoyage dans "Entretien du réfrigérateur pour boissons".

Importants renseignements à savoir au sujet des tablettes et des couvercles en verre :

Ne pas nettoyer les tablettes ou couvercles en verre avec de l'eau tiède quand ils sont froids. Les tablettes et les couvercles peuvent se briser s'ils sont exposés à des changements soudains de température ou à un impact tel que coup brusque. Pour votre protection, le verre trempé est conçu pour éclater en d'innombrables pièces minuscules. Ceci est normal. Les tablettes et les couvercles en verre sont lourds. Un soin spécial s'impose lors de leur déplacement pour éviter l'impact d'une chute.

Fermeture de la porte

Fermeture de la porte

Le réfrigérateur pour boissons possède quatre pieds de réglage de l'aplomb. Si le réfrigérateur pour boissons semble instable ou si vous désirez que la porte se ferme plus facilement, régler l'inclinaison de l'appareil en observant les instructions ci-dessous.

⚠ AVERTISSEMENT



Risque de choc électrique

Brancher sur une prise à 3 alvéoles reliée à la terre.

Ne pas enlever la broche de liaison à la terre.

Ne pas utiliser un adaptateur.

Ne pas utiliser un câble de rallonge.

Le non-respect de ces instructions peut causer un décès, un incendie ou un choc électrique.

1. Brancher sur une prise à 3 alvéoles reliée à la terre.

⚠ AVERTISSEMENT

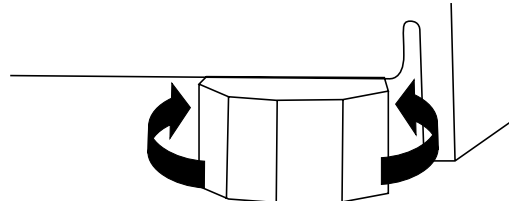
Risque du poids excessif

Utiliser deux ou plus de personnes pour déplacer et installer le réfrigérateur pour boissons.

Le non-respect de cette instruction peut causer une blessure au dos ou d'autre blessure.

2. Déplacer le réfrigérateur pour boissons à sa position finale.
3. Tourner les pieds de réglage de l'aplomb vers la droite pour abaisser le réfrigérateur pour boissons ou tourner les pieds de réglage de l'aplomb vers la gauche pour le soulever. Il peut être nécessaire de tourner les pieds de réglage de l'aplomb plusieurs fois pour ajuster l'inclinaison du réfrigérateur pour boissons.

REMARQUE : Si une autre personne pousse le haut du réfrigérateur pour boissons, le poids devient moins lourd sur les pieds de réglage de l'aplomb, ce qui rend plus facile l'ajustement des pieds de réglage de l'aplomb.

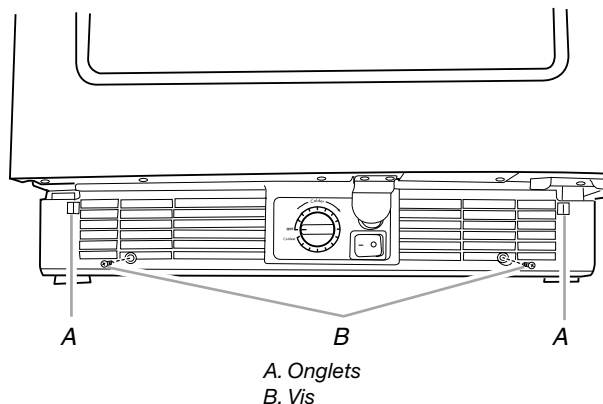


4. Ouvrir la porte et s'assurer qu'elle ferme comme vous le désirez. Sinon, incliner le réfrigérateur pour boissons un peu plus vers l'arrière en tournant les deux vis de réglage de l'aplomb avant vers la droite. Plusieurs tours peuvent être nécessaires et il convient de tourner les deux vis de réglage de l'aplomb de façon égale.

Grille de la base

Dépose de la grille de la base

1. Ouvrir la porte du réfrigérateur pour boissons.
2. À l'aide d'un tournevis Phillips, ôter les deux vis. Pousser les deux onglets vers le centre pour dégager la grille de la base du réfrigérateur pour boissons.



3. Retirer la grille de la base.

Réinstallation de la grille de la base

1. Ouvrir la porte du réfrigérateur pour boissons.
2. Positionner la grille de la base de façon à ce que les onglets soient alignés et que la grille de la base s'emboîte. Réinstaller les deux vis. Serrer les vis.

UTILISATION DU RÉFRIGÉRATEUR POUR BOISSONS

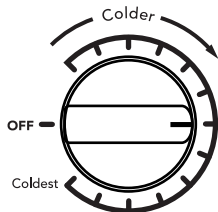
Sons normaux

Il est possible que le réfrigérateur pour boissons neuf émette des bruits que l'appareil précédent ne produisait pas. Comme ces sons sont nouveaux, ils peuvent vous inquiéter. La plupart de ces nouveaux sons sont normaux. Les sons peuvent vous sembler plus forts avec des surfaces dures telles que le plancher et les structures adjacentes. Les descriptions suivantes indiquent les genres de sons et leur cause possible.

- Votre réfrigérateur pour boissons est conçu pour fonctionner de manière plus efficace afin de conserver vos aliments aux températures désirées et de minimiser la consommation d'énergie. Le compresseur et les ventilateurs à haute efficacité peuvent faire fonctionner votre réfrigérateur pour boissons plus longtemps que l'ancien. Il se peut également que vous entendiez un bruit saccadé ou aigu provenant du compresseur ou des ventilateurs qui s'ajustent pour optimiser la performance.
- Des vibrations sonores peuvent provenir de l'écoulement du réfrigérant ou d'articles placés dans le réfrigérateur pour boissons.
- À la fin de chaque programme, vous pouvez entendre un gargouillement attribuable au réfrigérant qui se trouve dans votre réfrigérateur pour boissons.
- Vous pouvez entendre l'écoulement de l'eau dans le plateau de récupération lorsque le réfrigérateur pour boissons dégivre.
- Vous pouvez entendre des déclics lorsque le réfrigérateur pour boissons se met en marche ou s'arrête.

Utilisation de la commande

Pour votre commodité, la commande du réfrigérateur pour boissons est pré-réglée à l'usine. Lors de l'installation initiale du réfrigérateur pour boissons, s'assurer que la commande est encore pré-réglée au réglage moyen tel qu'illustré.



Ajustement des commandes

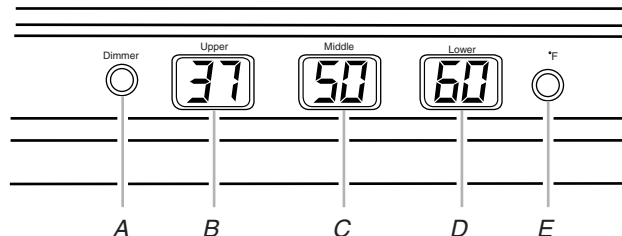
Les réglages moyens indiqués à la section précédente devraient convenir pour une utilisation normale de l'appareil. La commande est réglée correctement lorsque les boissons sont à la température idéale.

S'il est nécessaire d'ajuster la température, attendre au moins 24 heures entre chaque ajustement puis vérifier de nouveau la température.

Pour rendre le réfrigérateur pour boissons plus froid, ajuster la commande au réglage plus élevé suivant. Pour rendre le réfrigérateur pour boissons moins froid, ajuster la commande au réglage plus bas suivant.

Délimiteur de température (affichage de la température)

Le délimiteur de température affiche les températures actuelles (en Fahrenheit ou Celsius) pour les zones (compartiments) supérieure, centrale et inférieure du réfrigérateur pour boissons. Pour ajuster les réglages de température, voir "Ajustement des commandes" plus tôt dans cette section.

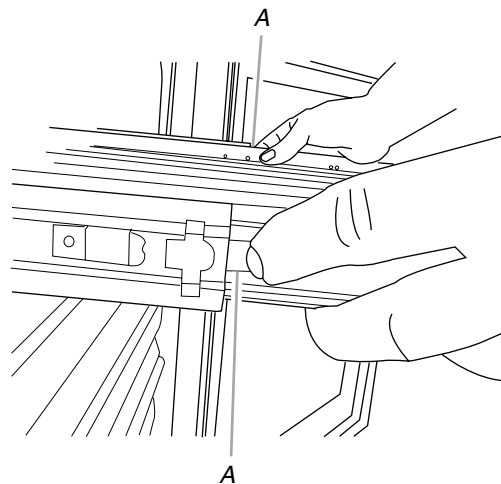


- A. Variateur
- B. Affichage de la zone supérieure
- C. Affichage de la zone centrale
- D. Affichage de la zone inférieure
- E. Fahrenheit/Celsius

Grilles pour le remisage des boissons et du vin

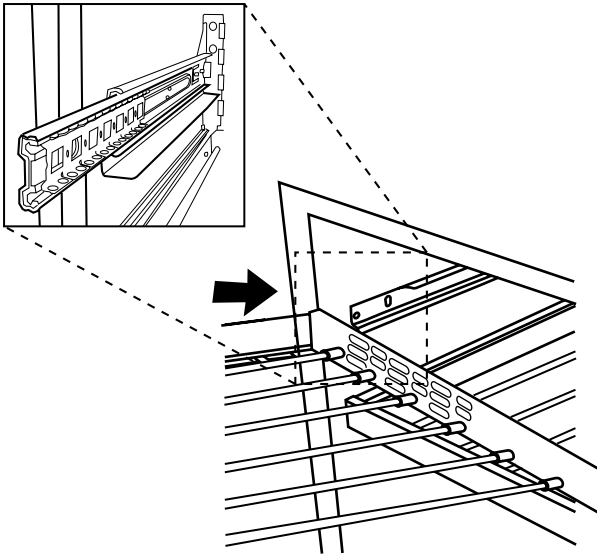
Pour enlever et réinstaller les grilles

1. Tirer la grille vers l'avant jusqu'à la butée. Enfoncer les onglets pour dégager la grille. Continuer à tirer la grille vers l'avant et la soulever pour la sortir de ses supports.



A. Onglets

2. Réinstaller la grille en l'insérant dans les supports et en la faisant glisser vers l'arrière du réfrigérateur pour boissons.



Dépose et remise en place de la grille inférieure

1. Soulever la grille (à l'avant et à l'arrière) vers le haut et tirer tout droit pour la retirer.



2. Replacer la grille en la poussant en ligne droite vers l'arrière et au-dessus de la butée. Continuer de pousser la grille en ligne droite vers l'arrière jusqu'à ce qu'elle soit en place.

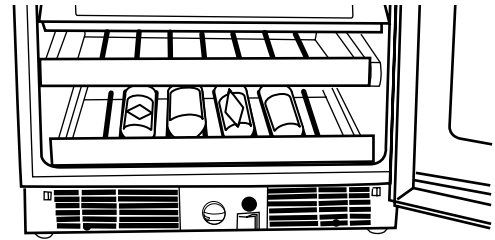
Stockage dans le réfrigérateur pour boissons

REMARQUE : Pour un rangement optimal des boissons et du vin, placer les vins blancs dans la partie supérieure du réfrigérateur pour boissons, dans le casier à vin. Placer les vins rouges dans la partie inférieure.

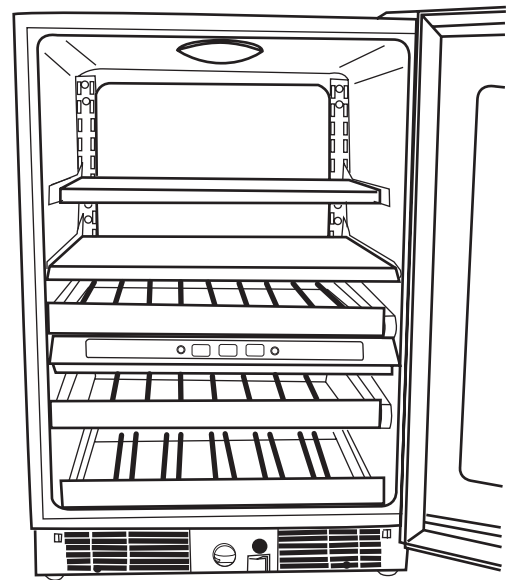
Stockage dans le réfrigérateur pour boissons

1. Débuter le stockage dans le réfrigérateur pour boissons par le présentoir du bas.
2. En commençant par le côté gauche, placer la première bouteille de vin sur le bas de la grille, le goulot de la bouteille vers l'arrière du réfrigérateur pour boissons.

3. Placer la bouteille suivante à côté, le goulot de la bouteille vers l'avant du réfrigérateur pour boissons.



4. Alternier ainsi jusqu'à ce que le présentoir soit plein.
5. Tirer la grille suivante vers l'avant.
6. En commençant par le côté gauche, placer la première bouteille sur la grille, le goulot de la bouteille vers l'avant.
7. Placer la bouteille suivante sur la rangée qui suit, le goulot de la bouteille vers l'arrière du réfrigérateur pour boissons.
8. Continuer d'alternier ainsi jusqu'à ce que la grille soit pleine.
9. Faire glisser la grille en place et continuer à stocker sur chaque grille restante comme décrit ci-dessus.
10. Placer les jus de fruits, sodas ou autres boissons en cannettes sur les tablettes en verre.



Éclairage du réfrigérateur pour boissons

Le réfrigérateur pour boissons comporte une lampe intérieure qui s'allume chaque fois que la porte est ouverte. La lampe peut aussi être allumée à tout moment en ouvrant la porte et en appuyant sur le bouton extérieur situé à côté du bouton de commande de la température, dans la grille de la base.

REMARQUE : La température du réfrigérateur pour boissons augmente légèrement si la lumière est laissée allumée pendant une période prolongée.

ENTRETIEN DU RÉFRIGÉRATEUR POUR BOISSONS

Nettoyage

AVERTISSEMENT



Risque d'explosion

Utiliser un produit de nettoyage ininflammable.

Le non-respect de cette instruction peut causer un décès, une explosion ou un incendie.

Nettoyer le réfrigérateur pour boissons environ une fois par mois pour empêcher une accumulation d'odeurs. Essuyer les renversements immédiatement.

Pour nettoyer le réfrigérateur pour boissons :

1. Débrancher le réfrigérateur pour boissons ou déconnecter la source de courant électrique.
2. Retirer toutes les grilles et tablettes de l'intérieur du réfrigérateur pour boissons.
3. Laver à la main, rincer et sécher les pièces amovibles et les surfaces internes à fond. Utiliser une éponge propre ou un linge doux et un détergent doux dans de l'eau tiède.
 - Pour protéger les pièces de la garniture en bois, ne pas immerger complètement la grille dans l'eau lors du lavage.
 - Ne pas utiliser de nettoyants forts ou abrasifs tels que les nettoyants à vitre en atomiseurs, nettoyants à récurer, liquides inflammables, cires nettoyantes, détergents concentrés, eaux de Javel ou nettoyants contenant du pétrole sur les pièces en plastique, les garnitures intérieures et de portes ou les joints de portes. Ne pas utiliser d'essuie-tout, tampons à récurer ou autres outils de nettoyage abrasifs. Ces produits risquent d'égratigner ou d'endommager les matériaux.
 - Pour aider à éliminer les odeurs, on peut laver les parois intérieures avec un mélange d'eau tiède et de bicarbonate de soude (2 c. à soupe pour 1 pinte [26 g pour 0,95 L] d'eau).
4. Laver les surfaces extérieures en acier inoxydable et peintes avec une éponge propre ou un linge doux et un détergent doux dans de l'eau tiède. Ne pas utiliser de produits de nettoyage forts ou abrasifs, ni de nettoyants à base de chlore. Ces produits risquent d'égratigner ou d'endommager les matériaux. Sécher parfaitement avec un linge doux. Pour mieux protéger les surfaces métalliques extérieures peintes contre les dommages, appliquer une cire pour appareil électroménager (ou cire en pâte) avec un linge propre et doux. Ne pas cirer les pièces en plastique.

REMARQUE : Pour que votre réfrigérateur pour boissons en acier inoxydable conserve son aspect neuf et pour enlever les petites égratignures ou marques, il est suggéré d'utiliser le nettoyant et poli pour acier inoxydable approuvé par le fabricant. Pour commander le nettoyant, voir "Accessoires".

IMPORTANT : Ce nettoyant doit être utilisé sur les pièces en acier inoxydable uniquement!

Veiller à ce que le nettoyant et poli pour acier inoxydable n'entre pas en contact avec les pièces de plastique telles que garnitures, couvercles de distributeurs ou joints de porte. En cas de contact accidentel, nettoyer la pièce de plastique avec une éponge et un détergent doux et de l'eau tiède. Sécher parfaitement avec un linge doux.

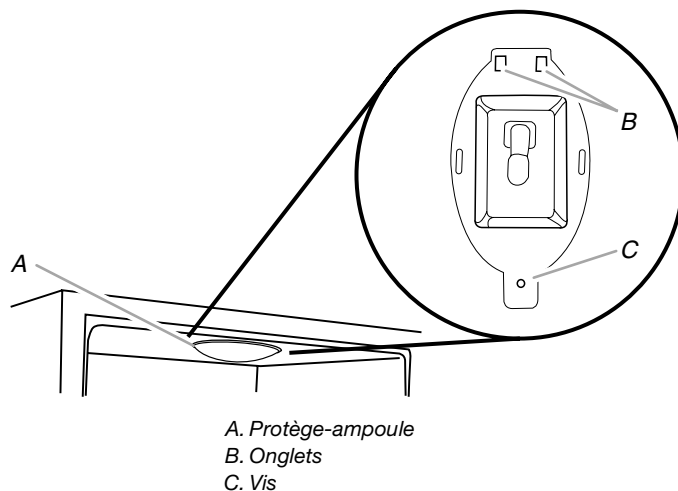
5. Réinstaller les grilles et tablettes.
6. Nettoyer régulièrement les serpentins du condenseur. Ils sont situés derrière la grille de la base. Il se peut que les serpentins aient besoin d'être nettoyés tous les deux mois. Ce nettoyage peut aider à économiser de l'énergie.
 - Retirer la grille de la base. Voir "Grille de la base".
 - Employer un aspirateur avec un accessoire long pour nettoyer les serpentins du condenseur lorsqu'ils sont sales ou poussiéreux.
 - Réinstaller la grille de la base.
7. Brancher le réfrigérateur pour boissons ou reconnecter la source de courant électrique.

Changement de l'ampoule d'éclairage

REMARQUE : Toutes les ampoules pour appareils ménagers ne conviendront pas à votre réfrigérateur pour boissons. S'assurer de faire le remplacement par une ampoule de grosseur, de forme et de puissance semblables.

Changement de l'ampoule :

1. Débrancher le réfrigérateur pour boissons ou déconnecter la source de courant électrique.
2. À l'aide d'un tournevis Phillips, ôter la vis située à l'arrière du protège-ampoule. Tirer le protège-ampoule vers l'arrière pour retirer les onglets de l'appareil. Ôter le protège-ampoule.



3. Remplacer l'ampoule.
4. Réinstaller le protège-ampoule en insérant les onglets. Aligner les trous et insérer la vis. Serrer la vis.
5. Brancher le réfrigérateur pour boissons ou reconnecter la source de courant électrique.

Précautions à prendre pour les vacances et avant un déménagement

Vacances

Si vous choisissez d'arrêter le réfrigérateur pour boissons avant de partir, suivre ces étapes.

1. Retirer toutes les bouteilles de vin du réfrigérateur pour boissons.
2. Débrancher le réfrigérateur pour boissons.
3. Nettoyer le réfrigérateur pour boissons. Voir "Nettoyage".
4. À l'aide de ruban adhésif, placer un bloc de caoutchouc ou de bois dans la partie supérieure de la porte de façon à ce qu'elle soit suffisamment ouverte pour permettre l'entrée de l'air à l'intérieur, afin d'éviter l'accumulation d'odeur ou de moisissure.

Déménagement

En cas de déplacement du réfrigérateur pour boissons dans une nouvelle habitation, suivre ces étapes pour préparer le déménagement.

1. Retirer toutes les bouteilles de vin du réfrigérateur pour boissons.
2. Débrancher le réfrigérateur pour boissons.
3. Nettoyer, essuyer et sécher à fond.
4. Retirer toutes les pièces amovibles, bien les envelopper et les attacher ensemble avec du ruban adhésif pour qu'elles ne bougent ni ne s'entrechoquent durant le déménagement.
5. Fermer les portes à l'aide de ruban adhésif et fixer le cordon d'alimentation à la caisse du réfrigérateur pour boissons.

Lorsque vous arriverez à votre nouvelle habitation, remettre tout en place et consulter la section "Instructions d'installation" pour les instructions de préparation.

DÉPANNAGE

Essayer les solutions suggérées ici d'abord afin d'éviter le coût d'une visite de service non nécessaire.

Le réfrigérateur pour boissons ne fonctionne pas

AVERTISSEMENT



Risque de choc électrique

Brancher sur une prise à 3 alvéoles reliée à la terre.

Ne pas enlever la broche de liaison à la terre.

Ne pas utiliser un adaptateur.

Ne pas utiliser un câble de rallonge.

Le non-respect de ces instructions peut causer un décès, un incendie ou un choc électrique.

- **Le cordon d'alimentation est-il débranché?** Brancher sur une prise à 3 alvéoles reliée à la terre.
- **Un fusible est-il grillé ou le disjoncteur s'est-il déclenché?** Remplacer le fusible ou réenclencher le disjoncteur.
- **La commande du réfrigérateur pour boissons est-elle réglée à la position OFF (arrêt)?** Voir "Utilisation de la commande".

Les ampoules ne fonctionnent pas

- **Une ampoule est-elle desserrée dans la douille?** Débrancher le réfrigérateur pour boissons ou déconnecter la source de courant électrique. Enlever délicatement l'ampoule et la réinsérer. Brancher le réfrigérateur pour boissons ou reconnecter la source de courant électrique.
- **Une ampoule est-elle grillée?** La remplacer par une ampoule pour appareils ménagers de la même taille, forme et puissance. Voir "Changement de l'ampoule d'éclairage".

Le moteur semble fonctionner excessivement

- **La température ambiante est-elle plus élevée que d'habitude?** Prévoir que le moteur fonctionne plus longtemps dans des conditions de chaleur. Pour des températures normales, prévoir que le moteur fonctionne à peu près 40 % à 80 % du temps. Dans des conditions plus chaudes, prévoir un fonctionnement encore plus fréquent.
- **La porte est-elle ouverte fréquemment?** Prévoir que le moteur fonctionne plus longtemps dans ce cas. Afin de conserver l'énergie, essayer de sortir du réfrigérateur pour boissons tout ce dont vous avez besoin en une fois, placer les bouteilles de vin avec l'étiquette orientée vers le haut de sorte qu'elles soient faciles à trouver et fermer la porte dès que le vin a été retiré.

- **Le réglage est-il correct pour les conditions existantes?** Voir "Utilisation de la commande".
- **La porte est-elle bien fermée?** Bien fermer la porte. Si elle ne ferme pas complètement, voir "La porte ne ferme pas complètement" plus loin dans cette section.
- **Les serpentins du condenseur sont-ils sales?** Cette situation fait obstruction au transfert de l'air et fait travailler davantage le moteur. Nettoyer les serpentins du condenseur. Voir "Nettoyage".

La température est trop élevée

- **La porte est-elle ouverte fréquemment?** Savoir que le réfrigérateur pour boissons se réchauffera dans ce cas. Afin de garder l'appareil froid, essayer de sortir du réfrigérateur pour boissons tout ce dont vous avez besoin en une fois, placer les bouteilles de vin avec l'étiquette orientée vers le haut de sorte qu'elles soient faciles à trouver et fermer la porte dès que le vin a été retiré.
- **Le réglage est-il correct pour les conditions existantes?** Voir "Utilisation de la commande".
- **La grille de la base est-elle obstruée?** Pour le meilleur rendement, ne pas installer le réfrigérateur pour boissons derrière une porte d'armoire ni obstruer la grille de la base.

Il existe une accumulation d'humidité à l'intérieur

- **La porte est-elle ouverte fréquemment?** Pour éviter une accumulation d'humidité, essayer de sortir du réfrigérateur pour boissons tout ce dont vous avez besoin en une fois, placer les bouteilles de vin avec l'étiquette orientée vers le haut de sorte qu'elles soient faciles à trouver et fermer la porte dès que le vin a été retiré. Lorsque la porte est ouverte, l'humidité de l'air extérieur pénètre dans le réfrigérateur pour boissons. Plus la porte est ouverte, plus l'humidité s'accumule rapidement, surtout lorsque la pièce est très humide.
- **La pièce est-elle humide?** Il est normal que de l'humidité s'accumule à l'intérieur du réfrigérateur pour boissons lorsque l'air est humide.
- **Le réglage est-il correct pour les conditions existantes?** Voir "Utilisation de la commande".

La porte est difficile à ouvrir

AVERTISSEMENT



Risque d'explosion

Utiliser un produit de nettoyage ininflammable.

Le non-respect de cette instruction peut causer un décès, une explosion ou un incendie.

- **Le joint colle-t-il ou est-il sale?** Nettoyer le joint et la surface qu'il touche. Frotter en appliquant une fine couche de paraffine sur le joint après le nettoyage.

La porte ne ferme pas complètement

- **Les grilles ou tablettes sont-elles bien en place?** Remettre les grilles et tablettes en bonne position. Voir "Utilisation du réfrigérateur pour boissons" pour plus de renseignements.

AVERTISSEMENT



Risque d'explosion

Utiliser un produit de nettoyage ininflammable.

Le non-respect de cette instruction peut causer un décès, une explosion ou un incendie.

- **Le joint colle-t-il?** Nettoyer le joint et la surface qu'il touche. Frotter en appliquant une fine couche de paraffine sur le joint après le nettoyage.

ASSISTANCE OU SERVICE

Avant de faire un appel pour assistance ou service, veuillez vérifier "Dépannage". Cette vérification peut vous faire économiser le coût d'une visite de service. Si vous avez encore besoin d'aide, suivez les instructions ci-dessous.

Lors d'un appel, veuillez connaître la date d'achat et les numéros de modèle et de série complets de votre appareil. Ces renseignements nous aideront à mieux répondre à votre demande.

Si vous avez besoin de pièces de rechange

Si vous avez besoin de commander des pièces de rechange, nous vous recommandons d'utiliser seulement les pièces de rechange spécifiées par l'usine. Les pièces de rechange spécifiées par l'usine conviendront bien et fonctionneront bien parce qu'elles sont fabriquées selon les mêmes spécifications précises utilisées pour fabriquer chaque nouvel appareil KITCHENAID®.

Pour savoir où trouver des pièces de rechange spécifiées par l'usine dans votre région, nous appelons ou contacter le centre de service désigné le plus proche.

Aux États-Unis

Téléphoner au Centre pour l'eXpérience de la clientèle de KitchenAid sans frais : **1-800-422-1230**.

Nos consultants fournissent de l'assistance pour :

- Caractéristiques et spécifications de notre gamme complète d'appareils ménagers.
- Renseignements d'installation.
- Procédés d'utilisation et d'entretien.
- Vente d'accessoires et de pièces de rechange.
- Assistance spécialisée au client (langue espagnole, malentendants, malvoyants, etc.).
- Les références aux concessionnaires, compagnies de service de réparation et distributeurs de pièces de rechange locaux. Les techniciens de service désignés par KitchenAid sont formés pour remplir la garantie des produits et fournir un service après garantie partout aux États-Unis.

Pour localiser la compagnie de service désignée par KitchenAid dans votre région, vous pouvez également consulter les Pages jaunes.

Pour plus d'assistance

Si vous avez besoin de plus d'assistance, vous pouvez écrire à KitchenAid en soumettant toute question ou problème à :

KitchenAid Brand Home Appliances
Customer eXperience Center
553 Benson Road
Benton Harbor, MI 49022-2692

Dans votre correspondance, veuillez indiquer un numéro de téléphone où l'on peut vous joindre dans la journée.

Au Canada

Téléphoner sans frais au Centre d'interaction avec la clientèle de KitchenAid Canada au : **1-800-807-6777**.

Nos consultants fournissent de l'assistance pour :

- Caractéristiques et spécifications de notre gamme complète d'appareils ménagers.
- Procédés d'utilisation et d'entretien.
- Vente d'accessoires et de pièces de rechange.
- Les références aux concessionnaires, compagnies de service de réparation et distributeurs de pièces de rechange locaux. Les techniciens de service désignés par KitchenAid Canada sont formés pour remplir la garantie des produits et fournir un service après la garantie, partout au Canada.

Pour plus d'assistance

Si vous avez besoin de plus d'assistance, vous pouvez écrire à KitchenAid Canada en soumettant toute question ou problème à :

KitchenAid Canada
Centre d'interaction avec la clientèle
1901 Minnesota Court
Mississauga, Ontario L5N 3A7

Dans votre correspondance, veuillez indiquer un numéro de téléphone où l'on peut vous joindre dans la journée.

Accessoires

Pour commander des accessoires, composer le **1-800-442-9991** et demander le numéro de pièce approprié ci-dessous ou contacter votre marchand autorisé KitchenAid. Au Canada, composer le **1-800-807-6777**.

Nettoyant et poli pour acier inoxydable

Commander la pièce n° 4396095

GARANTIE DU RÉFRIGÉRATEUR KITCHENAID®

GARANTIE LIMITÉE DE UN AN

Pendant un an à compter de la date d'achat, lorsque ce gros appareil ménager est utilisé et entretenu conformément aux instructions jointes à ou fournies avec le produit, KitchenAid ou KitchenAid Canada (ci-après désignées "KitchenAid") paiera pour les pièces spécifiées par l'usine et la main-d'œuvre pour corriger les vices de matériaux ou de fabrication. Le service doit être fourni par une compagnie de service désignée par KitchenAid.

GARANTIE LIMITÉE DE LA DEUXIÈME À LA CINQUIÈME ANNÉE INCLUSIVEMENT SUR LA DOUBLURE DE LA CAVITÉ ET LES PIÈCES DU SYSTÈME DE RÉFRIGÉRATION SCELLÉ (VOIR LISTE)

De la deuxième à la cinquième année inclusivement à compter de la date d'achat, lorsque ce réfrigérateur est utilisé et entretenu conformément aux instructions jointes à ou fournies avec le produit, KitchenAid paiera pour le remplacement ou la réparation de la doublure de la cavité du réfrigérateur/congélateur (frais de main-d'œuvre inclus) si la pièce se fissure à cause de vices de matériaux ou de fabrication. De même, de la deuxième à la cinquième année inclusivement à partir de la date d'achat, KitchenAid paiera pour les pièces spécifiées par l'usine et la main-d'œuvre pour corriger les vices de matériaux ou de fabrication dans le système de réfrigération scellé. Il s'agit des pièces suivantes : compresseur, évaporateur, condenseur, séchoir et conduits de connexion. Le service doit être fourni par une compagnie de service désignée par KitchenAid.

KITCHENAID NE PRENDRA PAS EN CHARGE

1. Les visites de service pour rectifier l'installation du gros appareil ménager, montrer à l'utilisateur comment utiliser l'appareil, remplacer ou réparer des fusibles ou rectifier le câblage ou la plomberie du domicile.
2. Les visites de service pour réparer ou remplacer les ampoules électriques de l'appareil, les filtres à air ou les filtres à eau. Ces pièces consommables ne sont pas couvertes par la garantie.
3. Les réparations lorsque le gros appareil ménager est utilisé à des fins autres que l'usage unifamilial normal.
4. Les dommages imputables à : accident, modification, usage impropre ou abusif, incendie, inondation, actes de Dieu, installation fautive ou installation non conforme aux codes d'électricité ou de plomberie, ou l'utilisation de produits non approuvés par KitchenAid.
5. Toute perte d'aliments due à une défaillance du réfrigérateur ou du congélateur.
6. Le coût des pièces de rechange et de la main-d'œuvre pour les appareils utilisés hors des États-Unis ou du Canada.
7. Le ramassage et la livraison. Ce gros appareil ménager est conçu pour être réparé à domicile.
8. Les réparations aux pièces ou systèmes résultant d'une modification non autorisée faite à l'appareil.
9. Les frais de voyage ou de transport pour le service d'un produit dans les régions éloignées.
10. La dépose et la réinstallation de votre appareil si celui-ci est installé dans un endroit inaccessible ou n'est pas installé conformément aux instructions d'installation fournies.

CLAUDE D'EXONÉRATION DE RESPONSABILITÉ AU TITRE DES GARANTIES IMPLICITES; LIMITATION DES RECOURS

LE SEUL ET EXCLUSIF RECOURS DU CLIENT DANS LE CADRE DE LA PRÉSENTE GARANTIE LIMITÉE CONSISTE EN LA RÉPARATION PRÉVUE CI-DESSUS. LES GARANTIES IMPLICITES, Y COMPRIS LES GARANTIES APPLICABLES DE QUALITÉ MARCHANDE ET D'APTITUDE À UN USAGE PARTICULIER, SONT LIMITÉES À UN AN OU À LA PLUS COURTE PÉRIODE AUTORISÉE PAR LA LOI. KITCHENAID N'ASSUME AUCUNE RESPONSABILITÉ POUR LES DOMMAGES FORTUITS OU INDIRECTS. CERTAINES JURIDICTIONS NE PERMETTENT PAS L'EXCLUSION OU LA LIMITATION DES DOMMAGES FORTUITS OU INDIRECTS, OU LES LIMITATIONS DE LA DURÉE DES GARANTIES IMPLICITES DE QUALITÉ MARCHANDE OU D'APTITUDE À UN USAGE PARTICULIER, DE SORTE QUE CES EXCLUSIONS OU LIMITATIONS PEUVENT NE PAS S'APPLIQUER DANS VOTRE CAS. CETTE GARANTIE VOUS CONFÈRE DES DROITS JURIDIQUES SPÉCIFIQUES ET VOUS POUVEZ ÉGALEMENT JOUIR D'AUTRES DROITS QUI PEUVENT VARIER D'UNE JURIDICTION À UNE AUTRE.

À l'extérieur du Canada et des 50 États des États-Unis, cette garantie ne s'applique pas. Contacter votre marchand KitchenAid autorisé pour déterminer si une autre garantie s'applique.

Si vous avez besoin de service, voir d'abord la section "Dépannage" du Guide d'utilisation et d'entretien. Après avoir vérifié la section "Dépannage", de l'aide supplémentaire peut être trouvée en vérifiant la section "Assistance ou service" ou en appelant KitchenAid. Aux É.-U., composer le **1-800-422-1230**. Au Canada, composer le **1-800-807-6777**. 1/06

Conservez ce manuel et votre reçu de vente ensemble pour référence ultérieure. Pour le service sous garantie, vous devez présenter un document prouvant la date d'achat ou d'installation.

Inscrivez les renseignements suivants au sujet de votre gros appareil ménager pour mieux vous aider à obtenir assistance ou service en cas de besoin. Vous devrez connaître le numéro de modèle et le numéro de série au complet. Vous trouverez ces renseignements sur la plaque signalétique située sur le produit.

Nom du marchand _____

Adresse _____

Numéro de téléphone _____

Numéro de modèle _____

Numéro de série _____

2300276B /
8336411962000

© 2007. All rights reserved.

Todos los derechos reservados.
Tous droits réservés.

® Registered Trademark/TM Trademark of KitchenAid, U.S.A., KitchenAid Canada licensee in Canada

® Marca registrada/TM Marca de comercio de KitchenAid, U.S.A., usada en Canadá bajo licencia de KitchenAid Canada
® Marque déposée/TM Marque de commerce de KitchenAid, U.S.A., Emploi sous licence par KitchenAid Canada au Canada

6/07
Printed in Mexico

Impreso en México
Imprimé au Mexique