

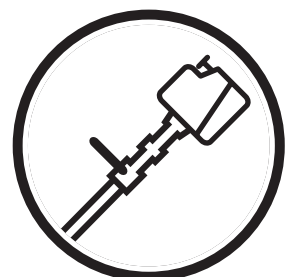
GB Operator's manual
FR Manuel d'utilisation
ES Manual de instrucciones

EDGER ATTACHMENT
ACCESSOIRE TRANCHE-BORDURE
SUPLEMENTO CORTABORDES

Please read these instructions carefully and make sure you understand them before using the machine.

Lire attentivement et bien assimiler le manuel d'utilisation avant d'utiliser la machine.

Lea detenidamente el manual de instrucciones y asegúrese de entender su contenido antes de utilizar la máquina.



GB FR ES

EXPLANATION OF SYMBOLS

Symbols



WARNING! The edger can be dangerous!
Careless or incorrect use can result in serious or fatal injury to the operator or others.



Read through the Operator's Manual carefully and understand the content before using the machine.



Always use:

- A protective helmet where there is a risk of falling objects.
- Ear protection
- Approved eye protection



Max. speed of output axle, rpm



This product is in accordance with applicable CE directives.



Beware of thrown objects and ricochets.



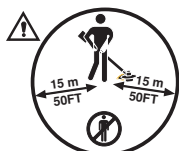
Warning for rotating blade. Keep hands and feet clear.



Warning! The blade continues to rotate even after the engine has stopped.

When the engine has stopped, stop the blade from rotating by letting the blade come in contact with the ground.

Indicates the direction of rotation.



The operator of the machine must ensure that no persons or animals comes within a 15 metre radius while working.



Arrows which show limits for handle mounting.

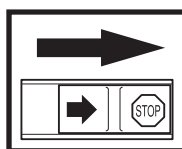


Always wear approved protective gloves.

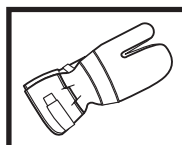


Use anti-slip and stable boots.

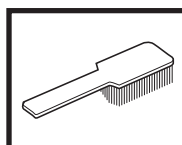
Other symbols/decals on the machine refer to special certification requirements for certain markets.



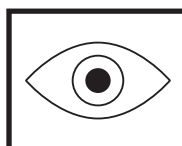
Checks and/or maintenance should be carried out with the engine switched off, with the stop switch in the STOP position.



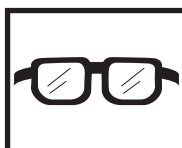
Always wear approved protective gloves.



Regular cleaning required.



Ocular control.



Approved eye protection must always be used.

CONTENTS

Husqvarna AB has a policy of continuous product development and therefore reserves the right to modify the design and appearance of products without prior notice.



Read through the Operator's manual carefully and understand the content before using the machine.

These instructions supplement the instructions that were included with the machine. For other procedures, please refer to the operating instructions for the machine.



WARNING!
Under no circumstances may the design of the machine be modified without the permission of the manufacturer. Always use genuine accessories. Non authorised modifications and/or accessories can result in serious personal injury or the death of the operator or others.



WARNING!
This accessory may only be used together with the intended clearing saw/trimmer, see under heading "Approved accessories" in chapter Technical data in the machine's Operator's Manual.

The machine is only designed for cutting the edges of lawns.

List of Contents

EXPLANATION OF SYMBOLS

Symbols 2

CONTENTS

List of Contents 3

SAFETY INSTRUCTIONS

Personal protective equipment 4

The machine's safety equipment 4

General safety instructions 5

General working instructions 5

Basic working techniques 6

WHAT IS WHAT?

What is what on the edger attachment? 7

ASSEMBLY

Assembling the angle gear 8

Assembling the blade 8

START AND STOP

Control before starting 8

MAINTENANCE

Angle gear 9

Lubricating the flexible drive axle 9

Adjusting the edger's cutting depth 9

Maintenance schedule 9

TECHNICAL DATA

Technical data 9

SAFETY INSTRUCTIONS

Personal protective equipment

IMPORTANT INFORMATION

- When using an edger, personal protective equipment must be used. Personal protective equipment does not eliminate the risk of accidents, however, it can reduce the effects of an injury in the event of an accident. Ask your dealer for help when choosing protective equipment.

The machine's safety equipment

This section describes the machine's safety equipment, its function and how checks and maintenance are carried out to ensure that it operates correctly. (See the chapter "What is what" to locate where this equipment is positioned on your machine.)

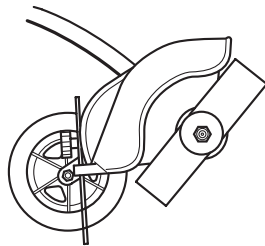
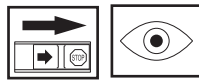


WARNING!
Never use a machine with defective safety equipment. Follow the control, maintenance and service instructions described in this section.

Cutting attachment guard

This guard is intended to prevent objects from being thrown towards the operator and to protect the operator from unintentional contact with the cutting attachment.

- Ensure that the guard is undamaged and is not cracked.
- Replace the guard if it has been exposed to impact or is cracked.
- Always use the prescribed blade and guard combination, see chapter "Technical data" in the machine's Operator's Manual.

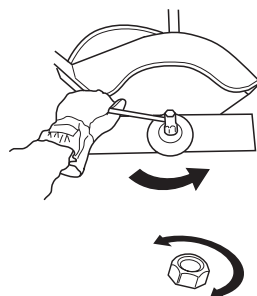
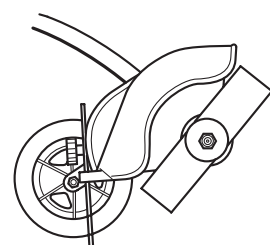


Cutting equipment

The blade is designed and processed to withstand loads that edging of a lawn involves.

Locking nut

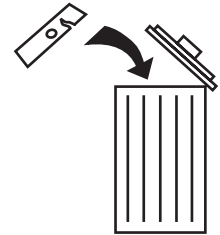
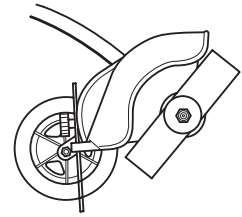
The locking nut secures the cutting equipment on the output shaft.



Cutting equipment

The two basic rules:

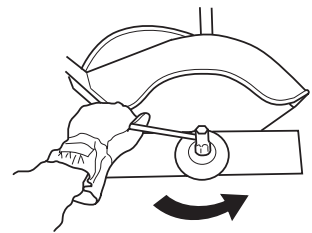
1. Only use the cutting equipment we recommend! See chapter "Technical data" in the machine's Operator's Manual.
2. Check the cutting equipment with regard to damage and crack formation. Damaged cutting equipment should always be replaced.



WARNING!
Always stop the engine before starting work on any part of the cutting equipment. This continues to rotate even after the throttle has been released. Ensure that the cutting equipment has stopped completely and remove the cable from the spark plug before you start to work on it.

Locking nut

- Protect your hand from injury when assembling, use the blade guard as protection when tightening with a socket spanner. Tighten the nut by turning against the direction of rotation. Loosen the nut by turning in the direction of rotation. (NOTE! the nut has a left-hand thread).
- Tighten the nut using a socket spanner, 35 - 50 Nm (3.5 - 5 kpm).



NOTE!

The locking nut's nylon lock must not be so worn that it can be turned by hand. The lock shall hold at least 1.5 Nm. The nut should be replaced after it has been put on approx. 10 times.



WARNING!
Never use a machine with defective safety equipment. The safety equipment should be maintained as described in this section. If your machine does not meet any of these controls you should contact your service workshop.

SAFETY INSTRUCTIONS

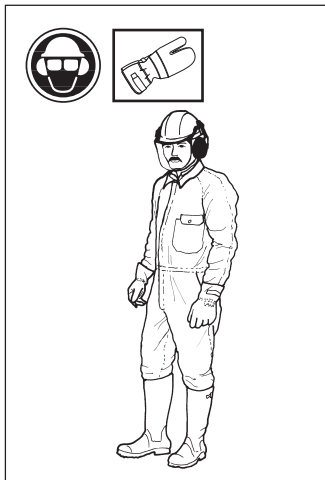
General safety instructions



WARNING!
Faulty cutting equipment increases the risk of accidents.

Personal protection

- Always wear boots and other equipment described in the section "Personal protective equipment" in the machine's Operator's Manual.
- Always wear working clothes and heavy-duty long trousers.
- Never wear loose sitting clothes or jewellery.
- Persons with long hair should, for personal safety, put their hair up.

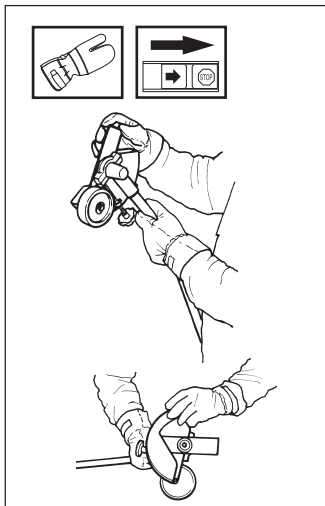


Safety instructions regarding the surroundings

- Never allow children to use the machine.
- Ensure no one comes closer than 15 metres when working.
- Never allow anyone else to use the machine without first ensuring that they have understood the contents of the Operator's Manual.

Safety instructions before starting work

- Inspect the working area. Remove any objects, such as stones, broken glass, nails, steel wire, string, etc. that can be thrown or can wrap around the blade or blade guard.
- Keep others at a safe distance. Children, animals, onlookers and helpers should stand outside of the safety zone of 15 m (50 feet). Stop the machine immediately if any one should approach.
- Check the entire machine before starting work. Replace damaged parts. Check for fuel leakage and that all safety guards and covers are complete and fastened securely. Check all nuts and bolts.
- Check the blade for cracks or any other damage.



- Ensure the blade guard is mounted and not damaged.

- Check that the blade and blade guard are correctly secured.
- When adjusting the carburettor make sure the blade is held against the ground and that no one is in the immediate vicinity.
- Make sure the blade does not rotate when idling.
- Make sure the handle and safety features are in order. Never use a machine that has parts missing or has been changed in relation to the specification.
- Only use the machine for the purpose it was intended for.

General working instructions

IMPORTANT INFORMATION

- This section takes up the basic safety precautions for working with the edger.
- If you encounter a situation where you are uncertain how to proceed you should ask an expert. Contact your dealer or your service workshop.
- Avoid all usage which you consider to be beyond your capability.

Basic safety precautions

1. Observe your surroundings:
 - To ensure that people, animals or other things cannot affect your control of the machine.
 - To ensure that the above mentioned do not come into contact with the cutting equipment or objects that can be thrown by the cutting equipment.
 - **NOTE!** Never use a machine without the possibility of calling for help in the event of an accident.
2. Avoid usage in unfavourable weather conditions. For example, thick fog, heavy rain, strong winds or extreme cold, etc. To work in bad weather conditions is tiring and can create dangerous circumstances, e.g. slippery surfaces.
3. Make sure you can walk and stand safely. Look out for any obstacles with unexpected movement (roots, stones, branches, pits, ditches, etc.). Take great care when working on sloping ground.
4. The engine should be switched off before moving.
5. Never put the machine down with the engine running unless you have good sight of it.

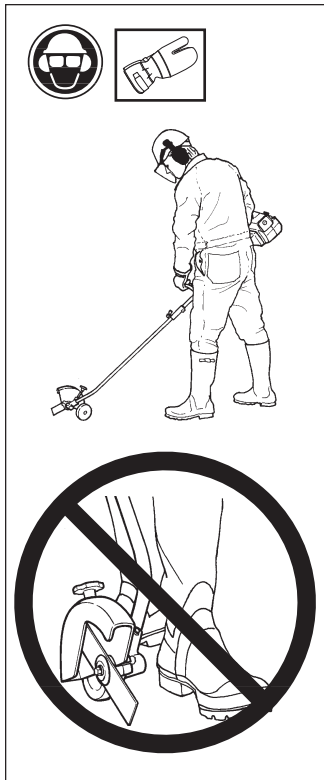


SAFETY INSTRUCTIONS

Basic working techniques

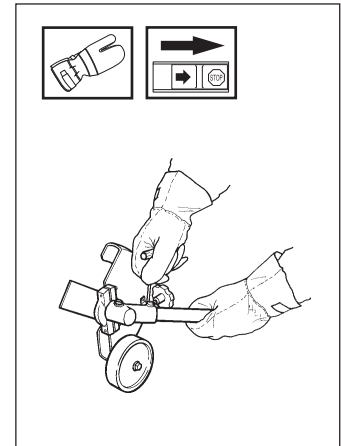
Safety instructions while working

- Always ensure you have a safe and firm foothold.
- Always hold the machine with both hands. Hold the machine on the right-hand side of your body.
- Make sure your hands and feet do not come into contact with the blade when the engine is running.
- When the engine is switched off, keep your hands and feet away from the blade until it has stopped.
- Always cut edges at full throttle.
- Always keep the blade close to the ground.
- Always drop to idling speed after each working operation. Longer periods running at full throttle without loading the engine (that is without resistance, which the engine feels from the cutting equipment when trimming) can lead to serious engine damage.
- Be especially careful when pulling the edger towards you during work.
- If heavy vibrations occur, stop the engine. Remove the spark plug cable from the spark plug. Check that the machine is not damaged. Repair any damage.



Safety instructions after completing work

- Ensure the blade has stopped before cleaning, carrying out repairs or an inspection. Remove the spark plug cable from the spark plug.
- Wear heavy-duty gloves when carrying out repairs on the edger.
- Store the machine out of reach of children.
- Only use original spare parts with repair.

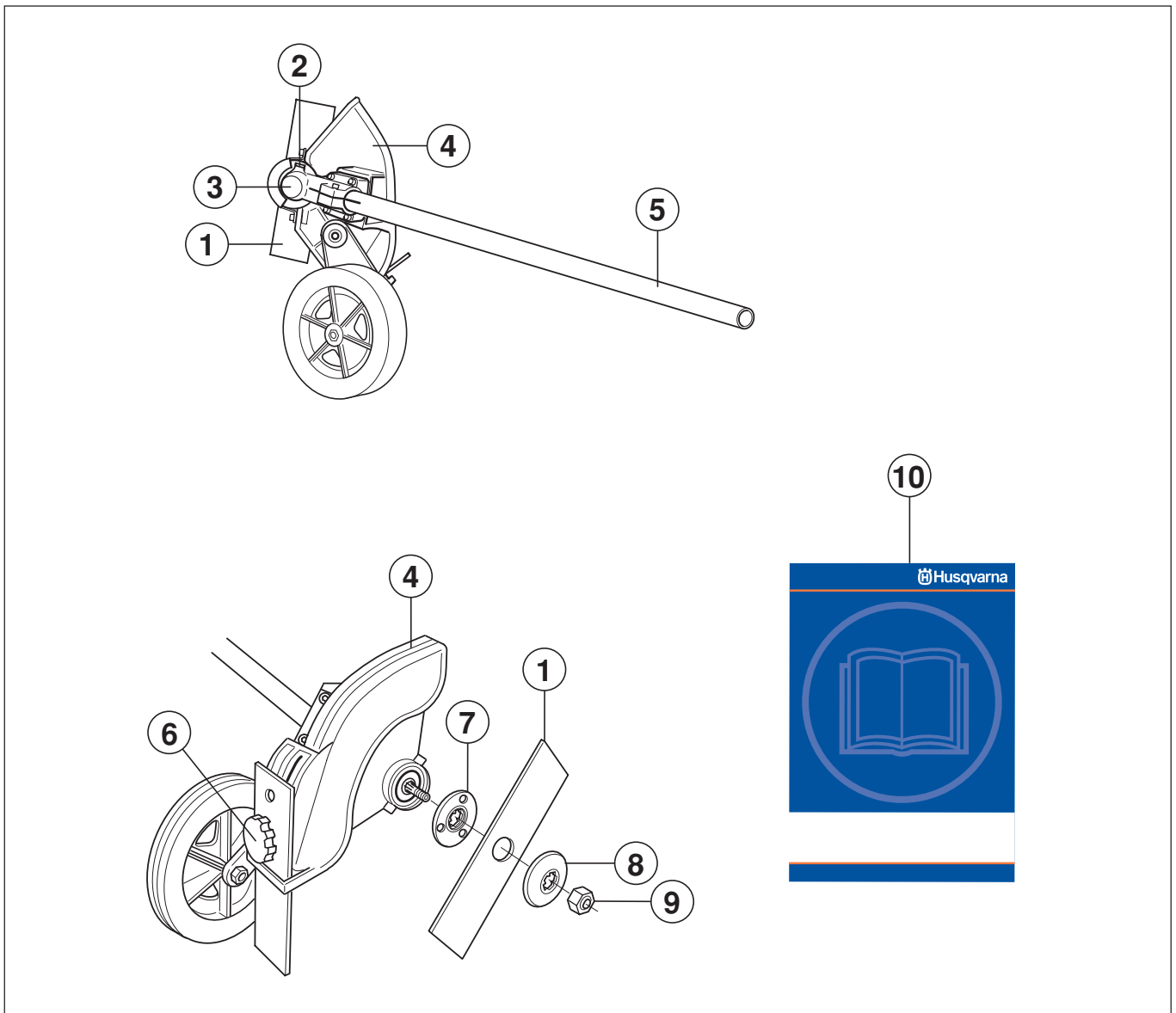


WARNING!
Sometimes grass and stones can collect in the blade guard and blade. Always stop the engine when cleaning.



WARNING!
Beware of thrown objects. Always wear eye protection. Never lean over the blade guard. Stones rubbish etc. can be thrown up into the eyes resulting in blindness or other serious injury. Keep unauthorised persons at a distance. Children, animals, onlookers and helpers should be outside the safety zone of 15 meters (50 feet). Stop the machine immediately if anyone approaches. The bevel gear unit can get hot during use and may remain so for a while afterwards. There is a risk of slight burns if you touch it.

WHAT IS WHAT?



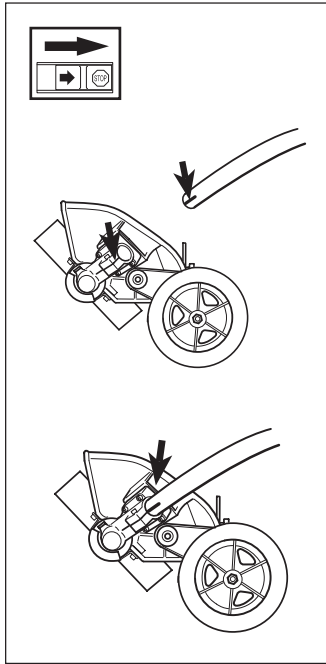
What is what on the edger attachment?

1. Blade
2. Grease filler cap
3. Angle gear
4. Blade guard
5. Shaft
6. Locking nut
7. Support flange
8. Drive disc
9. Locking handle
10. Operator's Manual

ASSEMBLY

Assembling the angle gear

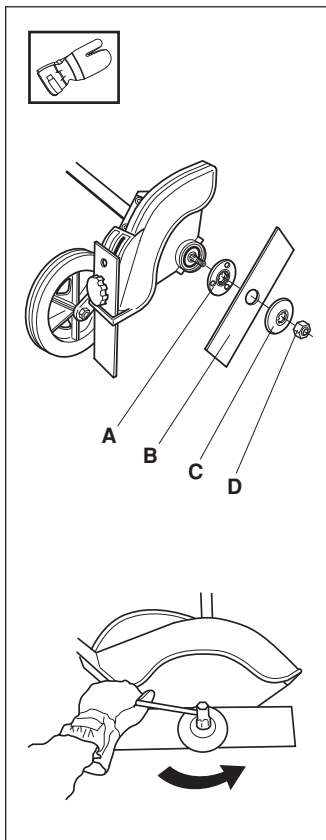
- Assemble the angle gear back on the supporting tube.
Turn the blade so that the drive shaft engages in the angle gear.
- Position the angle gear so that its slot is aligned with the line on the supporting tube.
- Firmly tighten the screw.



Assembling the blade

Fit the blade as follows:

1. Fit the drive disc (A) on the outgoing shaft. Make sure that the edge that fits in the hole of the blade is facing outward.
2. Block the blade rotation by inserting locking pin in the hole behind the blade guard engaging it in the corresponding hole in the drive disc.
3. Fit the blade (B) on the drive disc.
4. Fit the support flange (C). The support flange must be fitted with its outer edge hard up against the blade.
5. Fit the locknut (D).
NOTE! The locknut has left-hand threads. The tightening torque of the locknut is 35 – 50 Nm.
6. Remove the locking pin.



NOTE! Do not forget to remove the locking pin before using the machine.



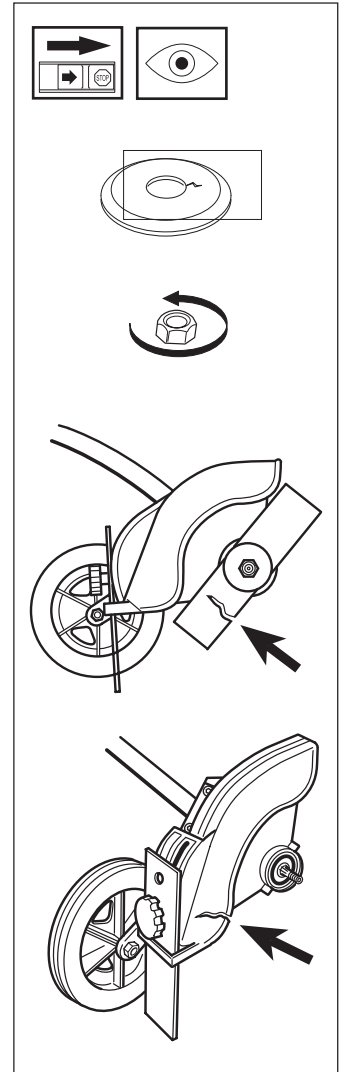
WARNING!
Under no circumstances may the edge cutter blade be used without the blade guard fitted.

START AND STOP

Control before starting

For reasons of safety follow these recommendations!

- Check that the support flange is not cracked due to fatigue or due to being tightened too much. Discard the support flange if it is cracked.
- Ensure that the nut has not lost its tightening capacity. The nut lock shall have a locking torque of at least 1.5 Nm. The nut's tightening torque shall be 35-50 Nm.
- Check that the blade and blade guard are not damaged or cracked. Replace the blade or blade guard if it has been exposed to impact or if it is cracked.

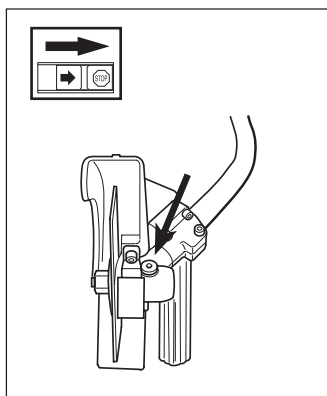


MAINTENANCE

Angle gear

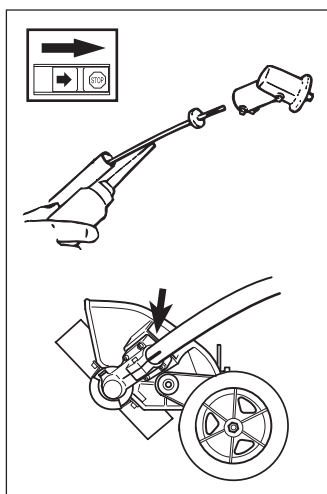
The angle gear is filled a sufficient quantity of grease at the factory. However, before using the machine you should check that the angle gear is filled to 3/4 with grease. Use HUSQVARNA special grease.

Normally, the grease does not need to be changed except when repairs are carried out.



Lubricating the flexible drive axle

Inside the edger's drive shaft is a flexible drive axle. The flexible drive axle should be regularly lubricated after 30 hours of operation. Loosen the two screws on the angle gear and remove it. The flexible drive axle is easily removed from the shaft by taking a firm grip on the axle end. Lubricate the flexible drive axle over its entire length and reinsert it in the shaft. Turn the axle while inserting it so that it correctly engages in the clutch. Replace the angle gear on the drive axle shaft and tighten the two screws.

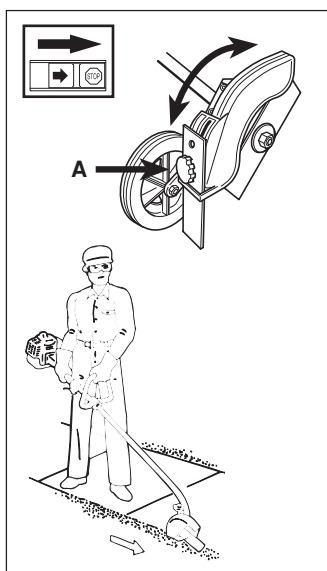


Adjusting the edger's cutting depth

The cutting depth should be adjusted before starting work.

- Loosen the locking handle (A) and rotate the guard by moving the locking knob forwards or backwards. If the locking handle is moved forwards (from the machine) the cutting depth is increased. If the locking handle is moved backwards (towards the machine) the cutting depth is reduced.

- Adjust the cutting depth.
- Lock the locking handle.



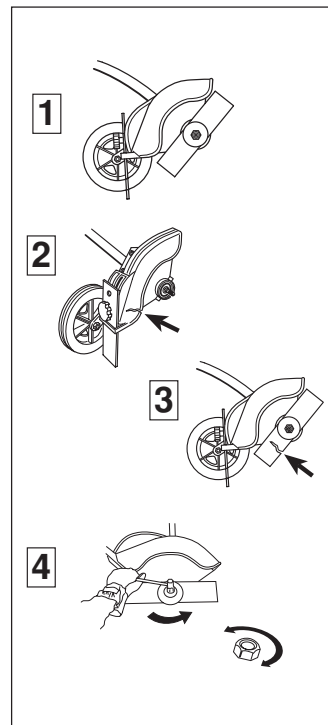
WARNING!
Always bear the machine on the right side of the body. Always wear protective glasses, long trousers and heavy-duty shoes when using the machine. Observe your surroundings, ensure people and animals do not come in the immediate vicinity or can be hit by thrown objects. Apply full throttle before the blade starts to work on the soil.

Maintenance schedule

Below follows some general maintenance instructions. If you need further information please contact your service workshop.

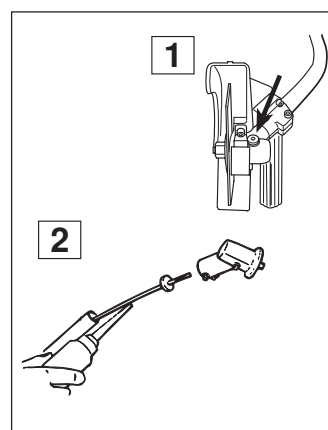
Daily maintenance

1. Check that the blade does not rotate while idling.
2. Check the guard for damage and ensure that it is not cracked. Replace the guard if it has been exposed to impact or is cracked.
3. Check that the blade is undamaged and not cracked. Replace the blade if necessary.
4. Check that the locking nut is tight.



Weekly maintenance

1. Check that the angle gear is 3/4 filled with grease. Fill if necessary using special grease.
2. The flexible drive shaft must be lubricated after every 30 hours in operation or more often.



TECHNICAL DATA

Technical data

Weight, Lbs/kg	1,6
Blade length	195 mm
Centre hole, blade	1" = 25,4 mm
Speed, blade	7140 r/min

EXPLICATION DES SYMBOLES

Symboles



AVERTISSEMENT! Le tranche-bordure peut être dangereux! Une utilisation négligée ou incorrecte peut entraîner des blessures graves, voire mortelles pour l'utilisateur ou d'autres personnes.



Lire attentivement le manuel d'utilisation et assimiler son contenu avant d'utiliser la machine.



Toujours porter:

- Un casque de protection en cas de risque de chute d'objets.
- Des protège-oreilles
- Des lunettes de protection homologuées



Régime max. de l'arbre sortant, tr.min



Ce produit est conforme aux directives CE en vigueur.



Attention aux objets projetés et aux ricochets.



Attention à la lame en rotation. Surveiller les pieds et les mains.



Attention! La lame continue à tourner, même après l'arrêt du moteur.

Lorsque le moteur est arrêté, arrêter la lame en l'amenant en contact avec le sol.

Indique le sens de rotation.



L'utilisateur de la machine doit s'assurer qu'aucune personne ou animal ne s'approchent à moins de 15 mètres pendant le travail.



Flèches indicatrices indiquant les limites pour l'emplacement de la fixation de la poignée.

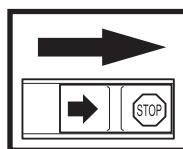


Toujours porter des gants de protection homologués.

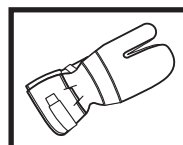


Porter des bottes solides et antidérapantes.

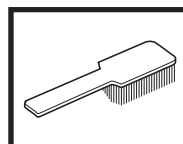
Les autres symboles/autocollants présents sur la machine concernent des exigences de certification spécifiques à certains marchés.



Contrôles et/ou entretiens doivent être effectués avec le moteur arrêté et le contacteur d'arrêt en position STOP.



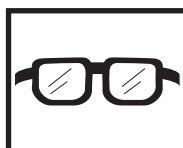
Toujours porter des gants homologués.



La machine demande un entretien régulier.



Contrôle visuel.



Toujours porter des lunettes de protection homologuées.

SOMMAIRE

Husqvarna AB travaille continuellement au développement de ses produits et se réserve le droit d'en modifier, entre autres, la conception et l'aspect.



Lire attentivement le manuel d'utilisation et assimiler son contenu avant d'utiliser la machine.

Ces instructions son un complément au manuel qui accompagne la machine. Pour les autres instructions, se reporter au manuel d'utilisation de la machine.



AVERTISSEMENT!

En aucun cas, la conception d'origine de la machine ne doit être modifiée sans l'accord du fabricant. Toujours utiliser des pièces de rechange d'origine. Des modifications et/ou des pièces non autorisées peuvent entraîner des blessures graves, voire mortelles, pour l'utilisateur ou d'autres personnes.



AVERTISSEMENT!

Cet accessoire ne peut être utilisé que pour les débroussailleuses/coupebordures auxquels il est expressément destiné. Voir la section "Accessoires homologués" au chapitre Caractéristiques techniques dans le manuel d'utilisation de la machine.

La machine sert uniquement à couper les bordures de pelouses.

Sommaire

EXPLICATION DES SYMBOLES

Symboles 10

SOMMAIRE

Sommaire 11

CONSIGNES DE SECURITE

Equipement de protection personnelle 12

Dispositifs de sécurité de la machine 12

Consignes générales de sécurité 13

Instructions générales de travail 13

Techniques de travail de base 14

QUELS SONT LES COMPOSANTS?

Quels sont les éléments du kit coupe-bordure? 15

MONTAGE

Montage de l'engrenage angulaire 16

Montage de la lame 16

MARCHE ET ARRET

Contrôles avant le démarrage 16

ENTRETIEN

Engrenage angulaire 17

Lubrification de l'arbre souple d'entraînement 17

Réglage de la profondeur de coupe du tranche-bordure .. 17

Schéma d'entretien 17

CARACTERISTIQUES TECHNIQUES

Caracteristiques techniques 17

CONSIGNES DE SECURITE

Equipement de protection personnelle

INFORMATION IMPORTANTE

- Lors de l'utilisation du tranche-bordure, un équipement de protection personnelle être utilisé. L'équipement de protection personnelle n'élimine pas les risques d'accidents, mais réduit toutefois la gravité des blessures en cas d'accident.

Dispositifs de sécurité de la machine

Ce chapitre décrit les dispositifs de sécurité de la machine, leur fonction ainsi que les contrôles et entretiens à effectuer pour s'assurer de leur bon fonctionnement (se référer au chapitre "Quels sont les composants?" pour connaître l'emplacement de ces dispositifs sur la machine).



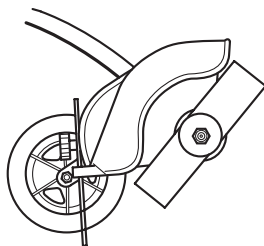
AVERTISSEMENT!

Ne jamais utiliser la machine si les dispositifs de sécurité sont défectueux. Suivre les instructions de contrôle, d'entretien et de maintenance listées dans ce chapitre.

Protège-lame

Cette protection a pour but d'empêcher la projection d'objets détachés vers l'opérateur. Il empêche également l'utilisateur d'entrer en contact avec l'outil de coupe.

- S'assurer que le protège-lame n'est pas endommagé ou fissuré.
- Remplacer le protège-lame en cas de chocs ou de fissurations.
- Toujours utiliser le protège-lame recommandé dans les "Caractéristiques techniques" dans le manuel d'utilisation de la machine, pour l'équipement de coupe.

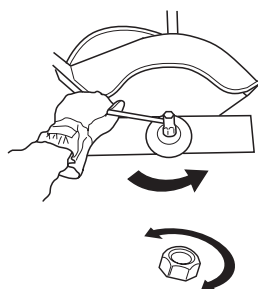
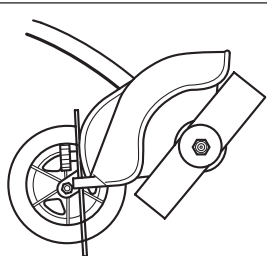


Equipement de coupe

La lame est conçue pour supporter les charges entraînées par la coupe des bordures de pelouse.

Contre-écrou

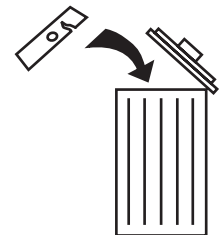
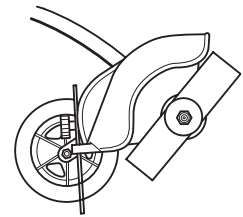
Le contre-écrou retient l'équipement de coupe à l'arbre sortant.



Equipement de coupe

Deux règles fondamentales:

1. Utiliser uniquement l'équipement de coupe avec le protège-lame recommandé. Se reporter au chapitre "Caractéristiques techniques" dans le manuel d'utilisation de la machine.
2. S'assurer que l'équipement de coupe n'est pas endommagé ou fissuré. Toujours remplacer un équipement de coupe endommagé.

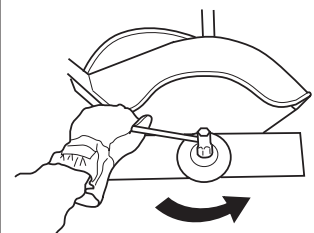


AVERTISSEMENT!

Toujours arrêter le moteur avant de débuter des travaux sur l'équipement de coupe. Le moteur continue à tourner même après relâchement de l'accélérateur. S'assurer que la lame est entièrement immobilisée et retirer le câble de la bougie d'allumage avant d'effectuer des travaux sur l'équipement de coupe.

Contre-écrou

- Se protéger la main lors du montage, se servir du protège-lame comme protection lors du serrage avec la clé à douille. Serrage de l'écrou dans le sens contraire au sens de rotation. Desserrage de l'écrou dans le sens de rotation. (IMPORTANT! L'écrou est fileté à gauche).
- Serrer l'écrou à l'aide de la clé à douille, 35-50 Nm (3,5-5 kpm).



IMPORTANT!

L'usure du verrouillage nylon du contre-écrou ne doit pas être telle qu'il peut se visser à l'aide des doigts. Le verrouillage doit résister à 1,5 Nm au moins. Remplacer le contre-écrou après l'avoir resserré une dizaine de fois.



AVERTISSEMENT!

Ne jamais utiliser la machine si le dispositif de sécurité est défectueux. Contrôler et effectuer l'entretien du dispositif de sécurité en suivant les indications de ce chapitre. Si l'un des contrôles de la machine n'est pas satisfaisant, contacter un atelier de service.

CONSIGNES DE SECURITE

Consignes générales de sécurité



AVERTISSEMENT!
Un équipement de coupe défectueux augmente les risques d'accidents.

Protection personnelle

- Toujours porter des bottes ainsi que l'équipement de protection indiqué au chapitre "Équipement de protection personnelle" dans le manuel d'utilisation de la machine.
- Toujours porter des vêtements de travail et des pantalons longs résistants.
- Ne jamais porter des vêtements amples ou des bijoux.
- La longueur des cheveux ne doit pas dépasser les épaules.

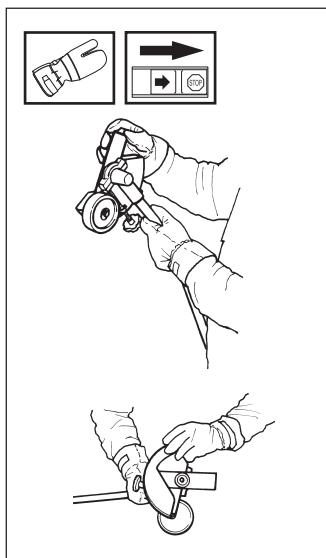


Consignes de sécurité pour l'entourage

- Ne jamais laisser un enfant utiliser la machine.
- S'assurer qu'aucune personne ne s'approche à moins de 15 m pendant le travail.
- Ne jamais laisser d'autres personnes utiliser la machine avant d'avoir vérifié que le contenu du manuel d'utilisation a été assimilé par ces personnes.

Consignes de sécurité avant la mise en service

- Inspecter la zone de travail. Enlever tout objet traînant par terre, tels que cailloux, débris de verre, clous, fil de fer, ficelle etc., pouvant être projetés ou s'enrouler autour de la lame ou dans le protège-lame.
- Maintenir les enfants, animaux, spectateurs et aides à 15 m (50 pieds) de la zone de travail. Stopper la machine immédiatement si quelqu'un s'approche.



- Contrôler toute la machine avant de la mettre en service. Remplacer les pièces endommagées. S'assurer que le carburant ne fuit pas et que toutes les protections et carters ne sont pas endommagés et correctement fixés. Vérifier toutes les vis et écrous.
- S'assurer que la lame n'est pas endommagée ou fissurée.
- S'assurer que le protège-lame est monté et en bon état.

- S'assurer que la lame et le protège-lame sont correctement fixés.
- Pendant le réglage du carburateur, s'assurer que la lame est en contact avec le sol et que personne ne se trouve à proximité.
- S'assurer que la lame s'arrête toujours au ralenti.
- S'assurer que la poignée et le dispositif de sécurité sont en bon état. Ne jamais utiliser la machine avec une pièce manquante ou ayant été modifiée.
- Utiliser la machine uniquement pour les travaux auxquels elle est destinée.

Instructions générales de travail

INFORMATION IMPORTANTE

- Ce chapitre décrit les consignes de sécurité de base pour travailler avec un tranche-bordure.
- Dans l'éventualité d'une situation rendant le travail incertain, consulter un expert. S'adresser au revendeur ou à l'atelier de service.
- L'utilisateur doit éviter les utilisations pour lesquelles il n'est pas qualifié.

Consignes de sécurité de base

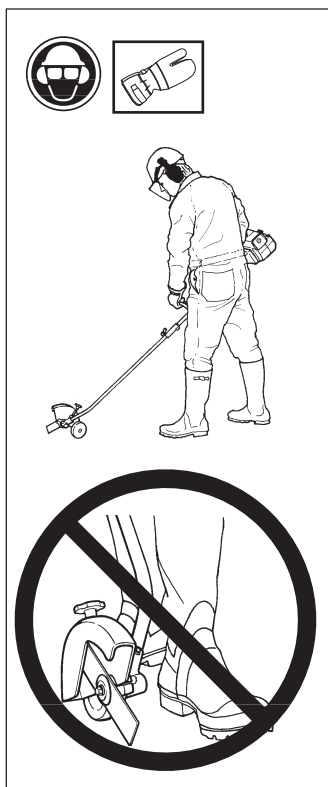
1. Inspecter les environs:
 - Afin de s'assurer que ni personnes, ni animaux ou autres facteurs ne peuvent entraver le contrôle de la machine.
 - Afin d'éviter que des personnes ou des animaux n'entrent en contact avec l'équipement de coupe ou avec d'éventuels objets projetés par l'équipement de coupe.
 - **IMPORTANT!** Ne jamais utiliser une machine en l'absence de possibilités d'appeler au secours en cas d'accident.
2. Eviter d'utiliser la machine en cas d'intempéries. Par exemple, en cas de brouillard épais, fortes pluies, vents forts, grands froids, etc. Ce type d'intempéries, notamment le verglas, peut rendre les conditions de travail dangereuses.
3. S'assurer de pouvoir marcher et se tenir debout de manière sûre. Lors des déplacements inattendus, prendre garde aux obstacles éventuels (racines, cailloux, branches, fossés, etc). Faire preuve de beaucoup de prudence lors du travail sur des terrains en pente.
4. Arrêter le moteur pour se déplacer.
5. Ne jamais placer la machine sur le sol avec le moteur en marche sans pouvoir la surveiller.

CONSIGNES DE SECURITE

Techniques de travail de base

Consignes de sécurité pendant le travail

- Toujours adopter une position de travail sûre et stable.
- Toujours tenir la machine à deux mains. Porter la machine sur le côté droit du corps.
- Garder les mains et les pieds à l'écart de la lame lorsque le moteur tourne.
- Après l'arrêt du moteur, garder les mains et les pieds éloignés de la lame, jusqu'à l'arrêt complet de celle-ci.
- Le moteur doit toujours tourner à plein régime pour couper les bordures de pelouse.



- Toujours maintenir la lame à proximité du sol.
- Faire tourner le moteur au ralenti après chaque étape de travail. Une période prolongée de plein régime alors que le moteur n'est soumis à aucune charge (c'est-à-dire résistance exercée sur le moteur par l'intermédiaire de l'équipement de coupe) peut endommager sérieusement le moteur.
- Etre particulièrement vigilant au moment de ramener le tranche-bordure vers soi pendant le travail.
- En cas de fortes vibrations, arrêter la machine. Débrancher le câble d'allumage de la bougie. S'assurer que la machine n'est pas endommagée. Réparer les avaries éventuelles.



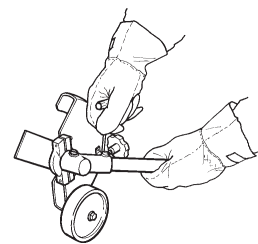
AVERTISSEMENT!
Il arrive que l'herbe s'accroche au protège-lame et à la lame. Toujours arrêter le moteur avant de nettoyer la machine.



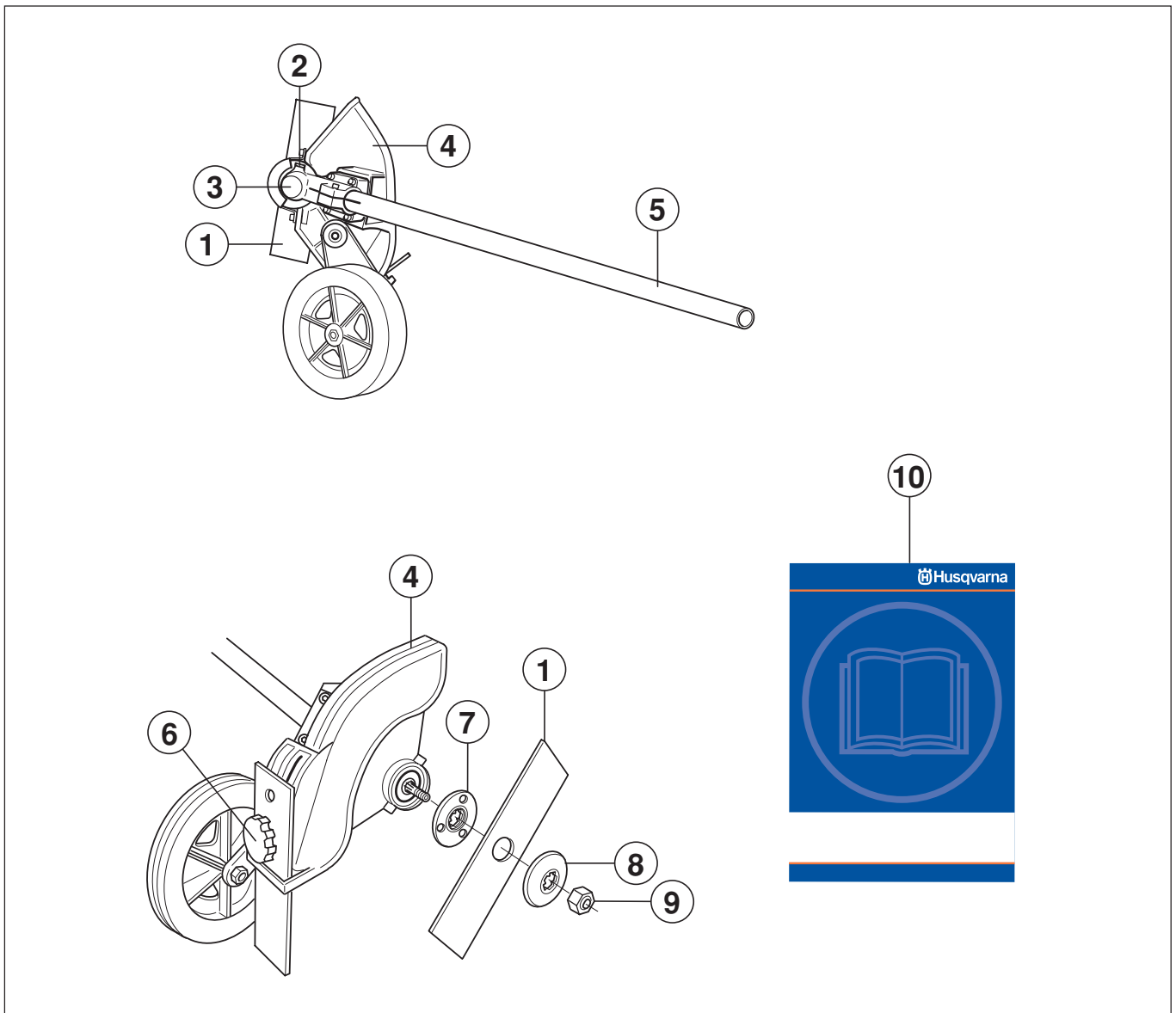
AVERTISSEMENT!
Attention aux objets projetés. Toujours porter une protection des yeux. Ne jamais se pencher sur la lame ou le protège-lame. Des pierres, déchets ou autres objets peuvent être projetés dans les yeux, provoquant des blessures graves, voire la cécité.
Maintenez autrui à distance. Enfants, animaux, spectateurs et aides doivent être maintenus à une distance de sécurité de 15 m (50 pieds). Arrêtez immédiatement la machine si quelqu'un s'approche.
Après l'utilisation, l'engrenage angulaire peut demeurer chaud pendant un certain temps. Risque de brûlures légères en cas de contact.

Consignes de sécurité après le travail

- Avant de nettoyer, réparer ou inspecter la machine, s'assurer que la lame est entièrement arrêtée. Débrancher le câble d'allumage de la bougie.
- Toujours porter des gants de protection pour réparer le tranche-bordure.
- Ranger la machine hors de portée des enfants.
- Toujours utiliser des pièces de rechange d'origine pour réparer la machine.



QUELS SONT LES COMPOSANTS?



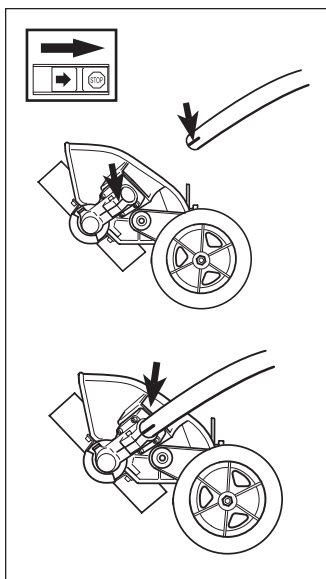
Quels sont les éléments du kit coupe-bordure?

1. Lame
2. Arrivée de lubrifiant
3. Engrenage angulaire
4. Protège-lame
5. Tige
6. Contre-écrou
7. Bride d'arrêt
8. Toc d'entraînement
9. Vis de verrouillage
10. Manuel d'utilisation

MONTAGE

Montage de l'engrenage angulaire

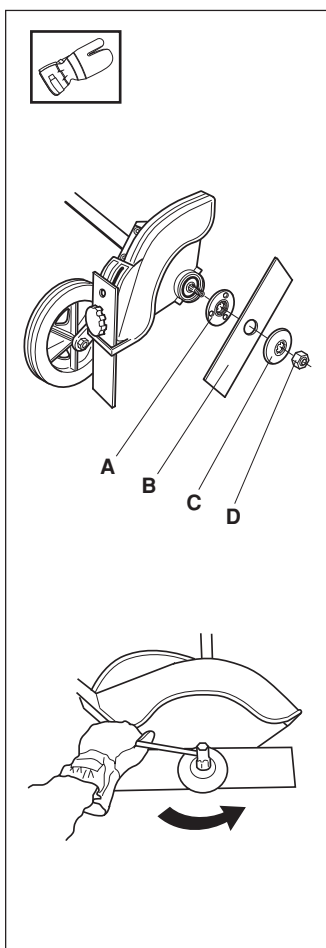
- Monter l'engrenage angulaire sur la tige. Tourner la lame pour que l'arbre s'enclenche dans l'engrenage angulaire.
- Placer l'engrenage angulaire pour faire correspondre la rainure avec le trait de la tige.
- Serrer entièrement la vis.



Montage de la lame

Pour monter la lame, procéder comme suit:

1. Monter le toc d'entraînement (A) sur l'arbre sortant. S'assurer que le bord pénétrant dans le trou de la lame est monté vers le haut.
2. Stabiliser la lame en introduisant la goupille d'arrêt dans le trou situé derrière le protège-lame, de telle sorte qu'elle pénètre aussi dans le trou correspondant du toc d'entraînement.
3. Placer la lame (B) sur le toc d'entraînement.
4. Monter la bride d'arrêt (C) de telle sorte que son bord extérieur repose contre la lame.
5. Monter le contre-écrou (D). **IMPORTANT:** le contre-écrou est fileté à gauche. Couple de serrage du contre-écrou: 35-50 Nm.
6. Retirer la goupille d'arrêt



IMPORTANT! Ne pas oublier de retirer la goupille d'arrêt avant d'utiliser la machine.



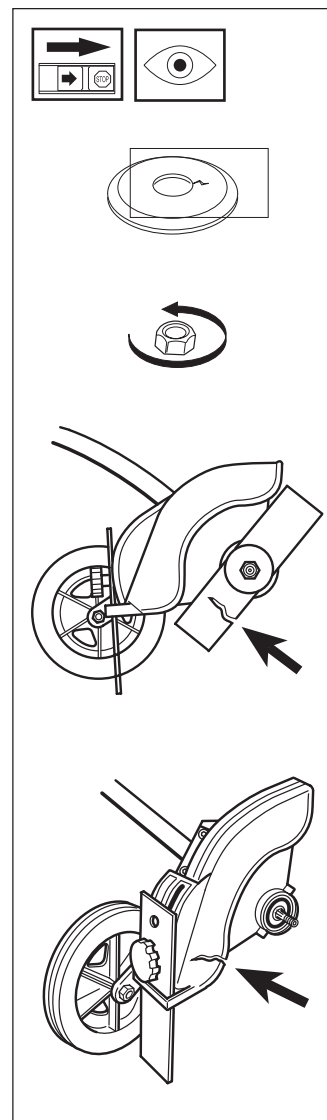
AVERTISSEMENT!
Ne jamais utiliser la lame si le protège-lame n'est pas monté.

MARCHE ET ARRET

Contrôles avant le démarrage

Pour plus de sécurité, suivre les recommandations ci-dessous:

- Contrôler la bride d'arrêt pour détecter d'éventuelles fissures dues à l'usure ou à un serrage trop fort. En cas de fissures, remplacer la bride d'arrêt.
- S'assurer que le contre-écrou n'a pas perdu sa capacité de blocage. Le contre-écrou doit résister à 1,5 Nm au moins. Couple de serrage du contre-écrou: 35-50 Nm.
- Contrôler la lame et le protège-lame afin de détecter d'éventuels dommages ou fissures. Remplacer la lame ou le protège-lame en cas de choc ou de fissures.

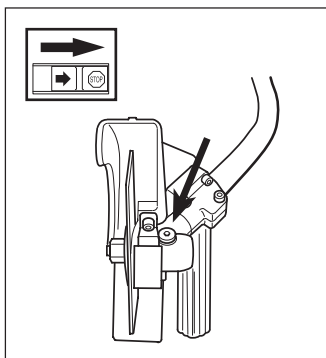


ENTRETIEN

Engrenage angulaire

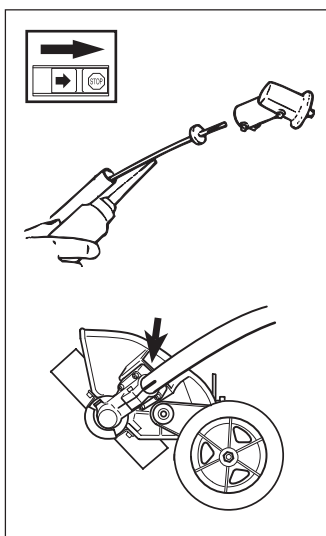
L'engrenage angulaire est enduit à l'usine de la quantité de graisse nécessaire. Toutefois, avant d'utiliser la machine, il convient de s'assurer que l'engrenage angulaire est au 3/4 rempli de graisse. Utiliser une graisse HUSQVARNA spéciale.

En général, il n'est pas nécessaire de remplacer le lubrifiant du carter, sauf en cas de réparations.



Lubrification de l'arbre souple d'entraînement

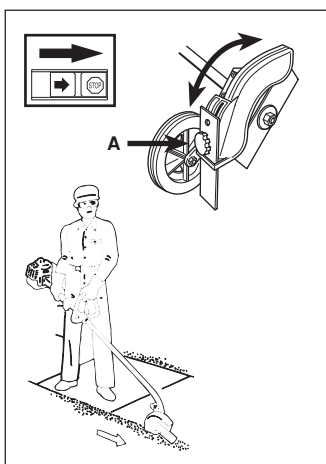
A l'intérieur du tube de l'arbre d'entraînement du tranche-bordure se trouve un arbre d'entraînement souple. Il convient de lubrifier cet arbre souple toutes les 30 heures de service. Desserrer les deux vis de l'engrenage angulaire, puis démonter celui-ci. Il est facile d'extraire l'arbre souple du tube d'arbre, en le saisissant fermement par l'extrémité. Lubrifier l'arbre souple sur toute sa longueur, puis le réinsérer dans le tube de l'arbre d'entraînement. En insérant l'arbre souple, le tourner pour qu'il se positionne correctement en fonction de l'engrenage. Remonter l'engrenage angulaire, resserrer les deux vis.



Réglage de la profondeur de coupe du tranche-bordure

Avant de commencer, il faut régler la profondeur de coupe.

- Desserrer la vis de blocage (A), tourner le protège-lame (B) en faisant aller et venir la vis de blocage. Pour augmenter la profondeur de coupe, déplacer la vis vers l'avant (depuis la machine). Pour diminuer la profondeur, déplacer la vis vers l'arrière (vers la machine).
- Régler la profondeur souhaitée.
- Serrer la vis de blocage.



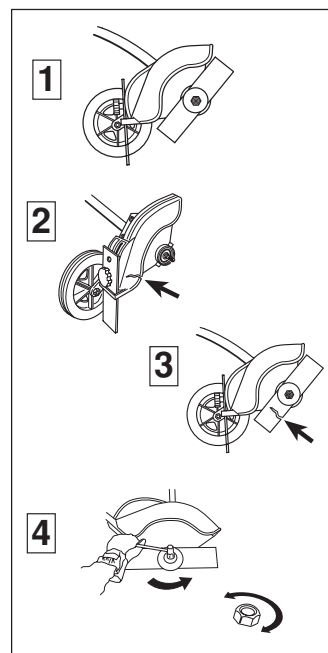
AVERTISSEMENT!
Toujours porter la machine à droite du corps. Toujours porter des lunettes de protection, des pantalons longs et des chaussures solides pour travailler avec la machine. Inspecter les environs et s'assurer qu'aucune personne ou animal se trouve dans la zone de travail ou risque d'être blessé par un objet projeté par la machine. Ne pas mettre le plein régime tant que la lame n'a pas commencé son travail au sol.

Schéma d'entretien

Quelques instructions générales d'entretien sont données ci-dessous. Pour plus d'informations, contacter l'atelier de service.

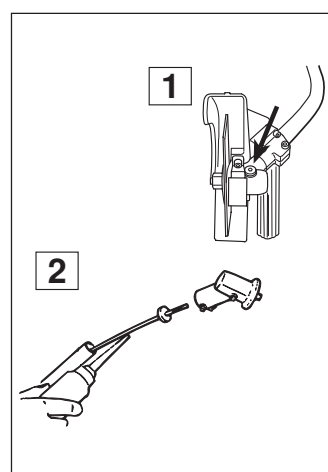
Contrôles quotidiens

1. S'assurer que la lame ne tourne pas lorsque le moteur tourne au ralenti.
2. S'assurer que le protège-lame n'est pas endommagé et ne présente aucune fissuration. Remplacer le protège-lame en cas de chocs ou de fissurations.
3. S'assurer que la lame est intacte et qu'elle n'est pas fissurée. Si nécessaire, remplacer la lame.
4. Vérifier le serrage du contre-écrou.



Contrôles hebdomadaires

1. S'assurer que l'engrenage angulaire est au 3/4 rempli de graisse. Si nécessaire, effectuer un remplissage d'appoint avec une graisse spéciale.
2. L'arbre moteur courbé doit être graissé après 30 heures d'utilisation ou plus fréquemment.



CARACTERISTIQUES TECHNIQUES

Caractéristiques techniques

Poids, kg	1,6
Longueur de couteau	195 mm
Trou central, couteau	1" = 25,4 mm
Régime, couteau	7140 r/min

SIGNIFICADO DE LOS SÍMBOLOS

Símbolos



ATENCIÓN: Las rebordeadoras pueden ser peligrosas. Su uso negligente o erróneo puede causar heridas graves o mortales al operador o terceros.



Antes de utilizar la máquina, lea atentamente las instrucciones de uso y asegúrese de comprender su contenido.



Utilice siempre:

- Casco protector cuando exista el riesgo de objetos que caen
- Protección auditiva
- Protección ocular homologada



Velocidad máxima en el eje de salida, rpm.



Este producto cumple con la directiva CE vigente.



Cuidado con los objetos lanzados o rebotados.



Cuidado con la cuchilla giratoria. Mantenga alejados los brazos y pies.



ATENCIÓN: La cuchilla sigue girando después de apagar el motor.

Una vez apagado el motor, detener el movimiento giratorio de la cuchilla apoyándola contra el suelo.

Muestra el sentido de rotación



El operador de la máquina debe cuidar que ninguna persona o animal se acerque más de 15 metros durante el trabajo.



Marcas de flechas que indican los límites para colocar la sujeción del mango.

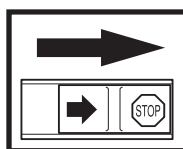


Utilice siempre guantes protectores homologados.

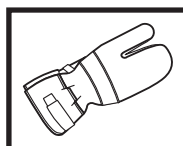


Utilice botas antideslizantes y seguras.

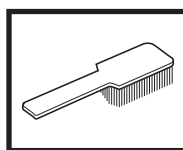
Los demás símbolos/pegatinas que aparecen en la máquina corresponden a requisitos de homologación específicos en determinados mercados.



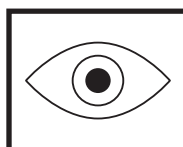
Cualquier tipo de control o medida de mantenimiento debe efectuarse con el motor desactivado, con el mando de parada en la posición STOP.



Utilice siempre guantes protectores homologados.



Utilice siempre guantes protectores homologados.



Control visual.



Debe utilizarse protección ocular homologada.

CONTENIDO

Husqvarna AB trabaja constantemente para perfeccionar sus productos y se reserva, por lo tanto, el derecho a introducir modificaciones en la construcción y el diseño sin previo aviso.



Antes de utilizar la máquina lea bien el manual de instrucciones hasta comprender su contenido.

Estas instrucciones son complemento del manual que se adjunta a la máquina. Para más información sobre el manejo, consultar el manual de la máquina



ATENCIÓN: El diseño original de la máquina no debe ser modificado por ningún motivo sin la autorización explícita del fabricante. Utilice siempre accesorios originales. Las modificaciones o accesorios no autorizados pueden ocasionar heridas graves y mortales al operador o terceros.



ATENCIÓN: Este accesorio sólo puede ser utilizado con las desbrozadoras/recortadoras destinadas al mismo, vea "Accesorios aprobados" en el capítulo Datos técnicos del manual de instrucciones de la máquina.

La máquina está diseñada exclusivamente para recortar bordes de céspedes.

Índice

SIGNIFICADO DE LOS SÍMBOLOS

Símbolos 18

Contenido

Índice 19

INSTRUCCIONES DE SEGURIDAD

Equipo de protección personal 20

Equipo de seguridad de la máquina 20

Instrucciones generales de seguridad 21

Instrucciones generales de trabajo 21

Técnica básica de trabajo 22

¿QUÉ ES QUE?

¿Qué es que en el suplemento para cortar cantos? 23

MONTAJE

Montaje del reductor angular 24

Montaje de la cuchilla 24

ARRANQUE Y PARADA

Control antes de arrancar 24

MANTENIMIENTO

Reductor angular 25

Lubricación del eje propulsor flexible 25

Ajuste de la profundidad de corte de la rebordeadora 25

Plan de mantenimiento 25

DATOS TÉCNICOS

Datos técnicos 25

INSTRUCCIONES DE SEGURIDAD

Equipo de protección personal

INFORMACIÓN IMPORTANTE

- Para trabajar con una rebordeadora debe usarse siempre un equipo de protección personal. El equipo de protección personal no elimina el riesgo de daños, pero reduce el efecto de los mismos en caso de accidente. El concesionario Husqvarna puede asesorarle para elegir equipo de protección.

Equipo de seguridad de la máquina

En esta sección se describen los distintos componentes de seguridad de la máquina, qué función cumplen y cómo se debe realizar la revisión y el mantenimiento para garantizar su correcto funcionamiento. (Lea el capítulo "Qué es que" para encontrar la posición de cada componente en la máquina.)



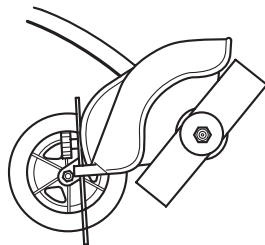
ATENCIÓN:

No utilizar nunca una máquina con componentes de seguridad defectuosos. Siga las instrucciones de control, mantenimiento y servicio listadas en esta sección.

Protección del equipo de corte

Esta protección tiene por objeto impedir el lanzamiento de objetos sueltos contra el usuario de la máquina. La protección también impide que el usuario entre en contacto con el equipo de corte.

- Compruebe que la protección no esté dañada y que no tenga grietas.
- Cambie la protección si ha sido expuesta a golpes o si tiene grietas.
- Utilice siempre la protección especificada en los "Datos técnicos", del manual de instrucciones de la máquina, para el equipo de corte.

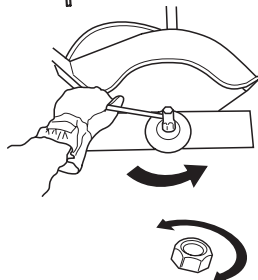
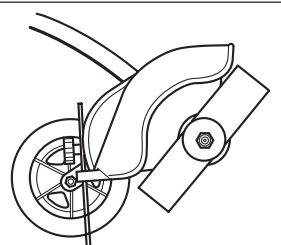


Equipo de corte

La cuchilla está diseñada y fabricada para tolerar las cargas derivadas del recorte de cantos en céspedes.

Tuerca de fijación

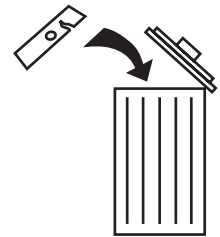
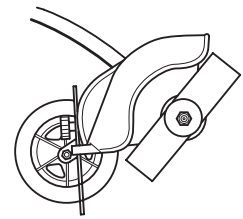
La tuerca fija el equipo de corte en el eje saliente.



Equipo de corte

Las dos reglas básicas:

1. ¡El equipo de corte sólo debe usarse junto con la protección recomendada por nosotros! Vea el capítulo "Datos técnicos" del manual de instrucciones de la máquina.
2. Revise el equipo de corte para comprobar si tiene daños o grietas. Un equipo de corte dañado debe cambiarse siempre.

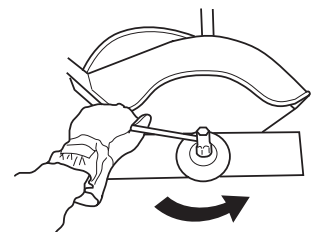


¡ADVERTENCIA!

Pare siempre el motor antes de iniciar trabajos en el equipo de corte. El equipo sigue girando aun después de soltar el acelerador. Antes de iniciar cualquier trabajo en el equipo de corte, compruebe que se haya parado totalmente y desconecte el cable de la bujía.

Tuerca de fijación

- Proteja la mano contra daños al montar y utilice la protección de cuchilla como protección al apretar con llave de tubo. Apriete de la tuerca: en sentido contrario al de rotación. Aflojamiento de la tuerca: en el sentido de rotación. (¡ATENCIÓN! La tuerca tiene rosca a izquierdas)
- Apriete la tuerca con la llave de tubo, con un par de 35-50 Nm (3,5-5 kpm).



¡ATENCIÓN!

El fiador de nylon de la tuerca de fijación no debe tener un grado de desgaste tal que se pueda enroscar con los dedos. El fiador debe aguantar un mínimo de 1,5 Nm. La tuerca debe cambiarse después de haberla enroscado unas 10 veces.



ATENCIÓN:

Nunca utilice una máquina con el sistema de seguridad defectuoso. El sistema de seguridad debe ser controlado y mantenido como se describe en esta sección. Si su máquina no supera alguno de los controles mencionados, dirijase a un taller de servicio oficial para repararla.

INSTRUCCIONES DE SEGURIDAD

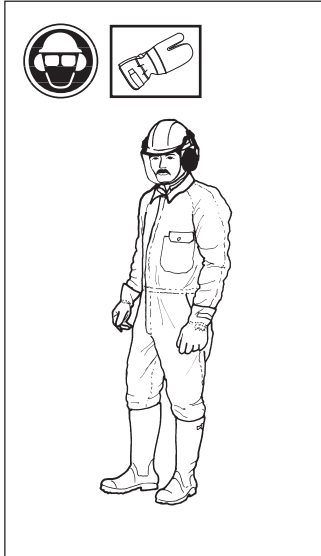
Instrucciones generales de seguridad



VATENCIÓN:
Un equipo de corte en mal estado puede aumentar el riesgo de accidentes.

Protección personal

- Utilice siempre botas y además, el equipo indicado en la sección "Equipo de protección personal" del manual de instrucciones de la máquina..
- Utilice siempre indumentaria de trabajo y pantalones largos fuertes.
- No utilice nunca ropas amplias ni joyas.
- Las personas que tengan cabellos largos, deben levantarlo por arriba de los hombros.

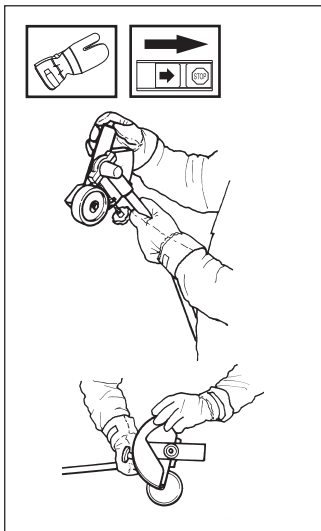


Instrucciones de seguridad para el entorno

- No permita nunca que los niños utilicen la máquina.
- Controle que nadie se acerque a menos de 15 metros durante el trabajo.
- No permita que otros utilicen la máquina sin asegurarse primero de que hayan comprendido el contenido del manual de instrucciones.

Instrucciones de seguridad antes de arrancar

- Inspeccione el lugar de trabajo. Aleje todos los objetos sueltos, como piedras, cristales rotos, claves, alambre de acero, cuerdas, etc., que pueden ser despedidos o enredarse en la cuchilla o la protección de ésta.
- Mantenga alejados a terceros. Los niños, animales, curiosos y ayudantes deben mantenerse fuera de la zona de seguridad de 15 metros. Pare la máquina inmediatamente si alguien se acerca.
- Controle toda la máquina antes de arrancar. Cambie las piezas defectuosas. Controle que no haya fuga de combustible y que todas las protecciones y tapas estén en buenas condiciones y bien fijadas. Controle todos los tornillos y tuercas.
- Controle que la cuchilla no tenga grietas ni otros daños.
- Verifique que la protección de la cuchilla está montada y sin dañar.



- Controle que la cuchilla y su protección estén correctamente montadas.
- Al ajustar el carburador, controle que la cuchilla esté contra el suelo y que no haya nadie en las cercanías.
- Controle que la cuchilla siempre se detenga en régimen de ralentí.
- Controle que los mangos y la función de seguridad estén en orden. No utilice nunca una máquina a la que le falte una parte o que haya sido modificada y no coincida con las especificaciones.
- Utilice la máquina solamente para lo que está destinada.

Instrucciones generales de trabajo

INFORMACIÓN IMPORTANTE

- Este capítulo trata las reglas de seguridad fundamentales para trabajar con la rebordeadora.
- Siempre que se encuentre en situaciones que le crean inseguridad por lo que respecta al empleo de la máquina, consulte con un experto. Diríjase a su concesionario o a su taller de servicio.
- Evite todo uso para el cual no se sienta suficientemente calificado.

Reglas básicas de seguridad

1. Observe el entorno para:
 - Comprobar que no haya personas, animales, etc., que puedan influir en su control de la máquina.
 - Para asegurar que no hay riesgo de que los anteriormente mencionados entren en contacto con el equipo de corte o con objetos lanzados por el mismo.
 - ¡ATENCIÓN! No use nunca una máquina si no tiene posibilidad de pedir auxilio en caso de accidente.
2. No utilice la máquina en climáticas adversas. Por ejemplo, en caso de niebla, lluvia intensa, viento intenso, frío intenso, etc. El trabajo con mal tiempo es agotador y puede crear condiciones peligrosas, por ejemplo suelo resbaladizo.
3. Asegúrese de que puede caminar y permanecer de pie de forma segura. Vea si hay obstáculos que puedan dificultar un desplazamiento imprevisto (raíces, piedras, ramas, agujeros, zanjas, etc.). Proceda con sumo cuidado al trabajar en pendientes.
4. Para desplazar la máquina debe pararse el motor.
5. No apoye nunca la máquina con el motor en marcha sin tenerla bajo control.



INSTRUCCIONES DE SEGURIDAD

Técnica básica de trabajo

Instrucciones de seguridad durante el trabajo

- Debe tener siempre una posición de trabajo segura y firme.

- Utilice siempre las dos manos para sostener la máquina. Mantenga la máquina en el lado derecho de su cuerpo.

- Tenga cuidado en que las manos y los pies no entren en contacto con la cuchilla cuando el motor está en marcha.

- Al parar el motor, mantenga las manos y los pies alejados de la cuchilla hasta que se haya detenido completamente.

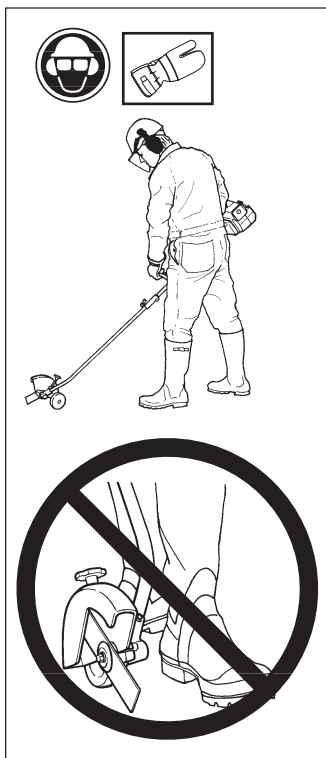
- Para recortar bordes, utilice siempre la aceleración máxima.

- Mantenga siempre la cuchilla cerca del suelo.

- Suelte el acelerador para dejar el motor en ralentí después de cada fase de trabajo. La plena aceleración sin carga del motor (es decir, sin la resistencia derivada del equipo de corte) puede causar averías graves del motor.

- Proceda con especial cuidado cuando tire de la máquina hacia usted durante el trabajo.

- Si hay vibraciones fuertes, pare la máquina. Desconecte el cable de encendido de la bujía. Compruebe que la máquina no esté dañada. Repare eventuales daños.



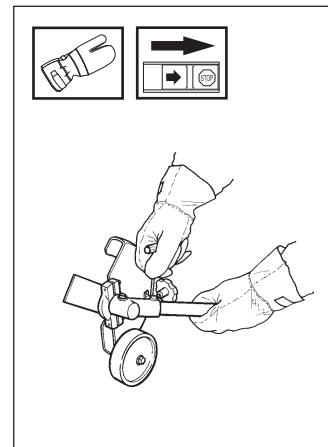
Instrucciones de seguridad después del trabajo.

- Antes de la limpieza, reparación o inspección, controle que la cuchilla se haya detenido. Quite el cable de la bujía.

- Use guantes gruesos para reparar la rebordeadora.

- Guardar la máquina fuera del alcance de los niños.

- Utilizar únicamente recambios originales al reparar la máquina.



¡ADVERTENCIA!

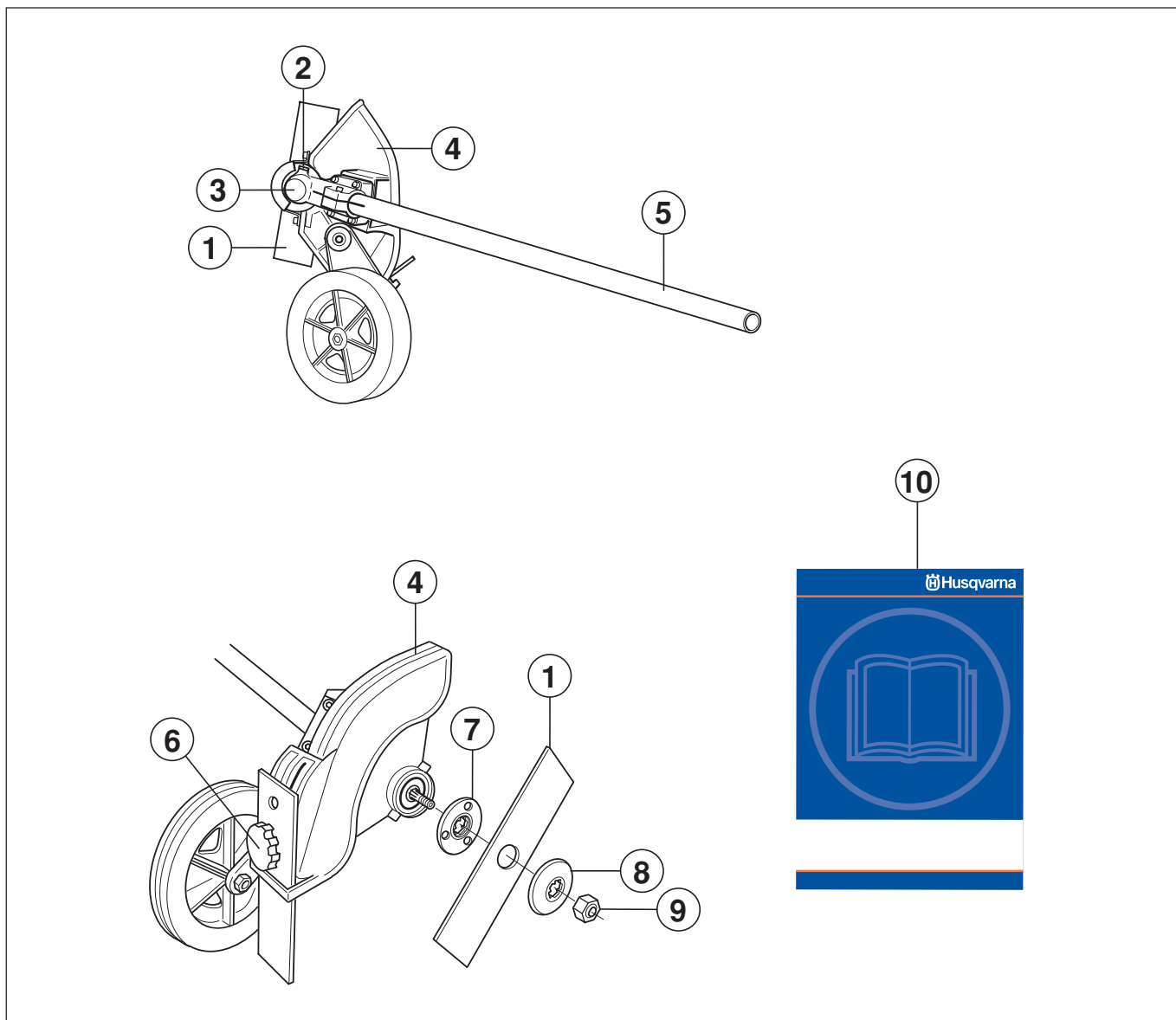
En ocasiones se atasca hierba o piedras en la protección de cuchilla y en la cuchilla. Pare siempre el motor cuando para limpiar.



¡ADVERTENCIA!

Peligro de objetos lanzados. Utilice siempre gafas protectoras. No se apoye nunca sobre la protección de cuchilla. Hay riesgo de lanzamiento de piedras, residuos, etcétera, contra los ojos, causando ceguera o daños graves. Mantenga apartado al público. Los niños, animales, espectadores y ayudantes deben estar fuera de la zona de seguridad de 15 m. Pare la máquina de inmediato si se acerca alguien. Durante el trabajo y por un momento después del mismo, el reductor angular puede estar caliente. Hay riesgo de quemaduras leves en caso de contacto.

¿QUÉ ES QUE?



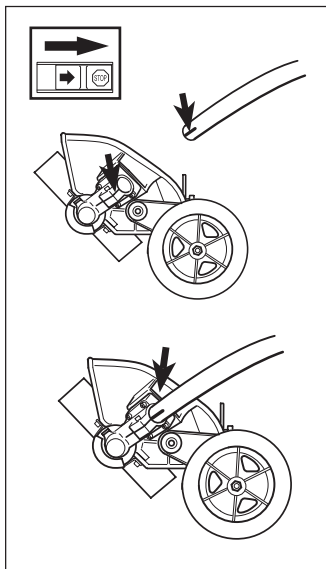
¿Qué es que en el suplemento para cortar cantos?

1. Cuchilla
2. Carga de lubricante
3. Engranaje angulado
4. Protección de cuchilla
5. Tubo
6. Manija de fijación
7. Arrastrador
8. Brida de apoyo
9. Tuerca de fijación
10. Manual de instrucciones

MONTAJE

Montaje del reductor angular

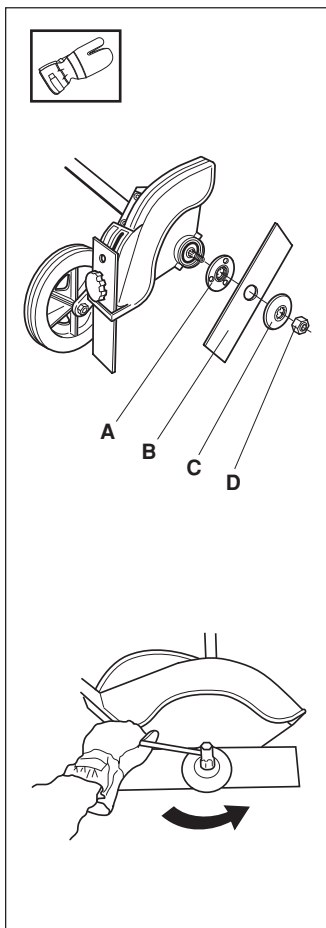
- Monte el reductor angular en el tubo. Gire la cuchilla para que el eje agarre en el reductor.
- Coloque el reductor de forma que la ranura coincida con la raya del tubo.
- Apriete el tornillo.



Montaje de la cuchilla

Procedimiento de montaje de la cuchilla:

1. Coloque el arrastrador (A) en el eje de salida. Monte hacia afuera el borde que se adapta al agujero de la cuchilla.
2. Fije la rotación de la cuchilla insertando el pasador en el agujero detrás de la protección, de modo que entre en el agujero equivalente del arrastrador.
3. Ponga la cuchilla (B) en el arrastrador.
4. Monte la brida de apoyo (C). La brida de apoyo debe montarse con su borde exterior tocando en la cuchilla.
5. Monte la tuerca de fijación (D). ¡ATENCIÓN! La tuerca de fijación tiene rosca a izquierdas. El par de apriete de la tuerca de fijación es de 35-50 Nm.
6. Quite el pasador.



¡ATENCIÓN! No olvide quitar el pasador antes de utilizar la máquina.



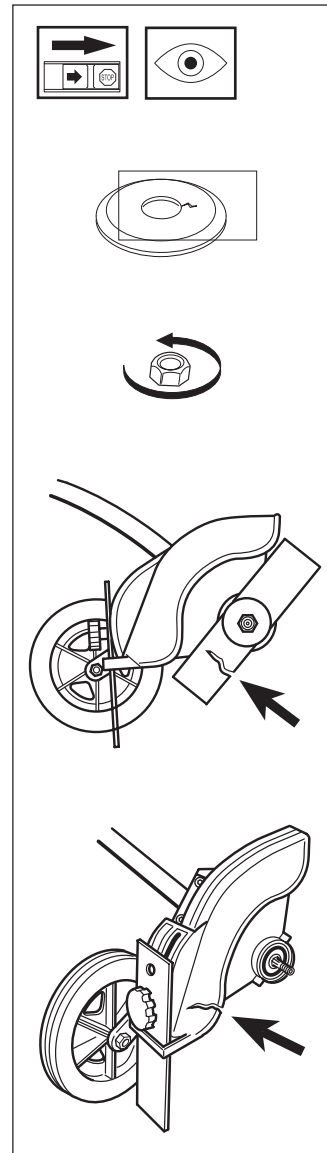
¡ADVERTENCIA!
La cuchilla de la rebordeadora no debe usarse, por ningún concepto, sin que esté montada la protección de cuchilla.

ARRANQUE Y PARADA

Controles antes de arrancar

¡Observe estas recomendaciones por razones de seguridad!

- Revise la brida de apoyo para comprobar que no se han producido grietas debidas a agotamiento o apriete excesivo. ¡Deseche la brida de apoyo si tiene grietas!
- Compruebe que la tuerca no pierde fuerza de fijación. La fijación de la tuerca debe tener un par mínimo de 1,5 Nm. El par de apriete de la tuerca debe ser de 35-50 Nm.
- Revise la cuchilla y la protección de cuchilla para comprobar que están intactas y que no tienen grietas. Cambie la cuchilla o la protección si han sido expuestas a golpes o tienen grietas.

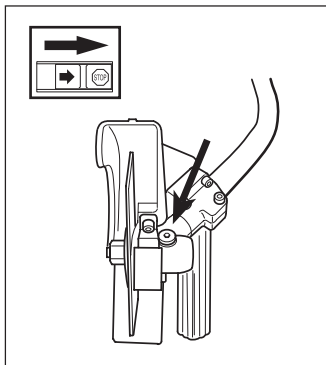


MANTENIMIENTO

Reductor angular

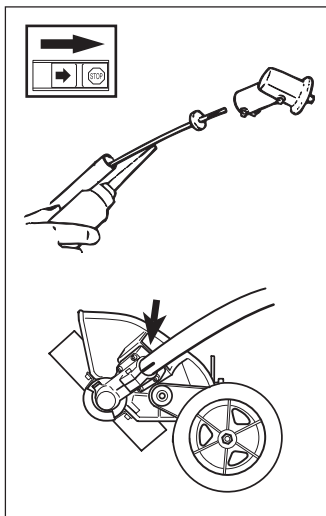
El engranaje angulado se entrega de fábrica con la cantidad adecuada de grasa. No obstante, antes de arrancar la máquina, verifique que el engranaje esté lleno de grasa hasta las 3/4 partes. Utilice grasa especial de HUSQVARNA.

Generalmente, el lubricante de la caja del reductor no requiere cambiarse excepto cuando se realizan reparaciones.



Lubricación del eje propulsor flexible

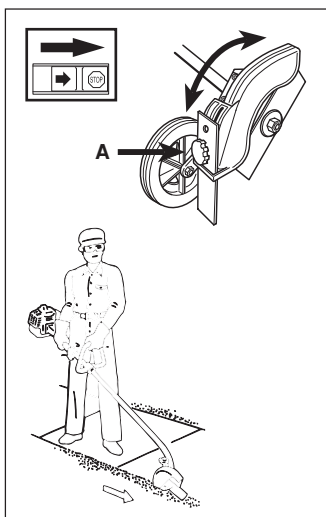
En el tubo de la rebordeadora hay un eje propulsor flexible. El eje propulsor flexible debe lubricarse regularmente cada 30 horas de trabajo aproximadamente. Afloje los dos tornillos del reductor y desmóntelo. El eje propulsor flexible se saca fácilmente del tubo sujetándolo con firmeza en el extremo. Lubrique el eje propulsor flexible en toda su longitud y vuelva a introducirlo en el tubo. Gire el eje durante la introducción para adaptarlo bien en el acoplamiento. Vuelva a montar el reductor en el tubo del eje de propulsión y apriete los dos tornillos.



Ajuste de la profundidad de corte de la rebordeadora

Antes de iniciar el trabajo debe ajustarse la profundidad de corte.

- Afloje la manija de fijación (A) y gire la protección moviendo la manija hacia adelante o hacia atrás. Moviéndola hacia adelante (apartándola de la máquina) se aumenta la profundidad de corte. Moviéndola hacia atrás (acercándola a la máquina) se reduce la profundidad de corte.
- Ajuste la profundidad de corte deseada.
- Apriete la manija de fijación.



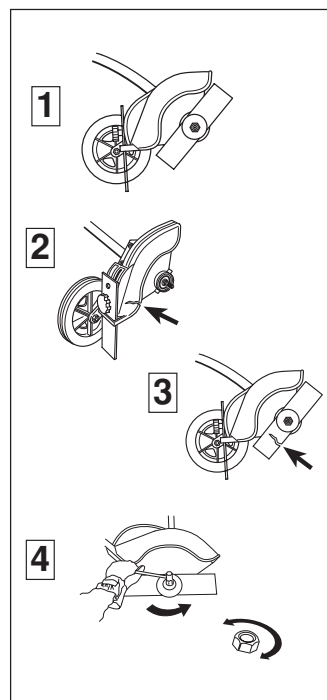
¡ADVERTENCIA!
Lleve siempre la máquina en el lado derecho del cuerpo. Use gafas protectoras, pantalones largos y zapatos gruesos para trabajar con la máquina. Observe el entorno y procure que no se acerquen personas o animales a la máquina, así como que no puedan ser alcanzados por objetos lanzados. Acelere al máximo antes de que la cuchilla empiece a trabajar en la tierra.

Plan de mantenimiento

Las siguientes son instrucciones generales de mantenimiento. Si necesita más información, póngase en contacto con el servicio oficial.

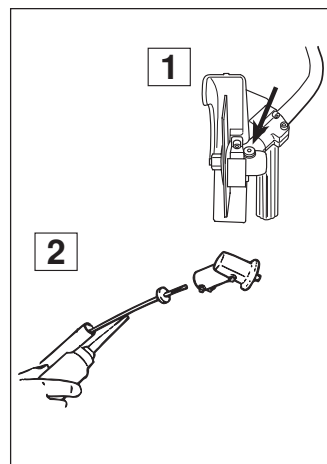
Control diario

1. Controle que la cuchilla de corte no gire en ralentí.
2. Compruebe que la protección no esté dañada y que no tenga grietas. Cambie la protección si ha estado expuesta a golpes o si tiene grietas.
3. Compruebe que la cuchilla no esté dañada y que no tenga grietas. Cambie la cuchilla si es necesario.
4. Controle el apriete de la tuerca de fijación.



Control semanal

1. Compruebe que el reductor angular esté lleno en sus tres cuartas partes con lubricante. Si es necesario, añada grasa especial.
2. El eje propulsor flexible debe lubricarse cada 30 horas de trabajo o con mayor frecuencia.



DATOS TÉCNICOS

Datos técnicos

Peso, kg	1,6
Longitud de cuchilla	195 mm
Agujero central	1" = 25,4 mm
Velocidad de cuchilla	7140 r/min



114 00 86-20



2002W12