

Master PAR *electronic*

PAR 20-E REFLECTOR



Spot



Flood

definition

The MasterPAR 20 is a mains voltage reflector lamp with E27 base, featuring a low voltage halogen burner. The power conversion from the mains to the 12V light source is achieved by a built-in electronic transformer.

The faceted parabolic pressed-glass reflector is aluminium coated and has a clear flat front glass.

MasterPAR 20 fits in most luminaires designed for PAR 20 and R63 reflector lamps.

The product combines the good efficacy and long lifetime of low voltage halogen technology with the ease of use of PAR HalogenA and R63 lamps.

Compared to 50W PAR 20, the 20W MasterPAR offers 60% energy saving with similar (flood) or even twice (spot) the intensity.

The average lifetime of the product is 5000h, i.e. twice the lifetime of PAR and five times the lifetime of R63.

The product offers an unprecedented beam contrast and uniformity for a mains voltage reflector lamp.

The white 3000 K light matches with other popular light sources like metal halide and low voltage halogen.

MasterPAR 20 Electronic highlights merchandise and art objects, adds drama and creates ambience.

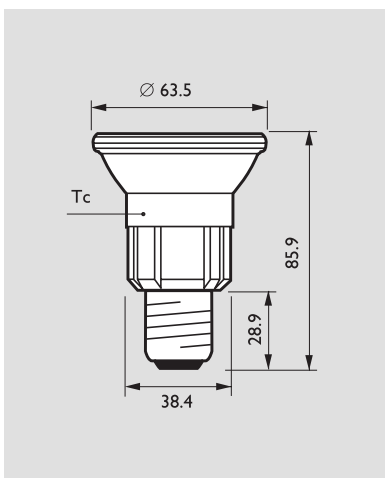
It is used to upgrade existing PAR 20 or R63 installations and avoids the necessity of a transformer in new installations.

applications

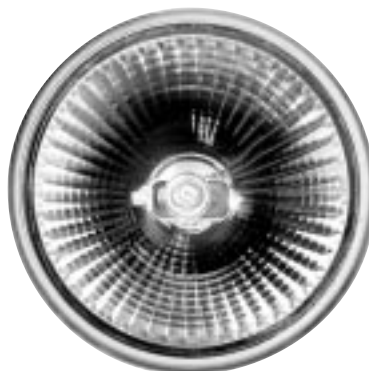
Accent and downlighting in:

- shops • hotels, bars/restaurants • museums/art galleries

halogen



Dimensions in mm



Spot



Flood



PHILIPS

Master PAR *electronic*

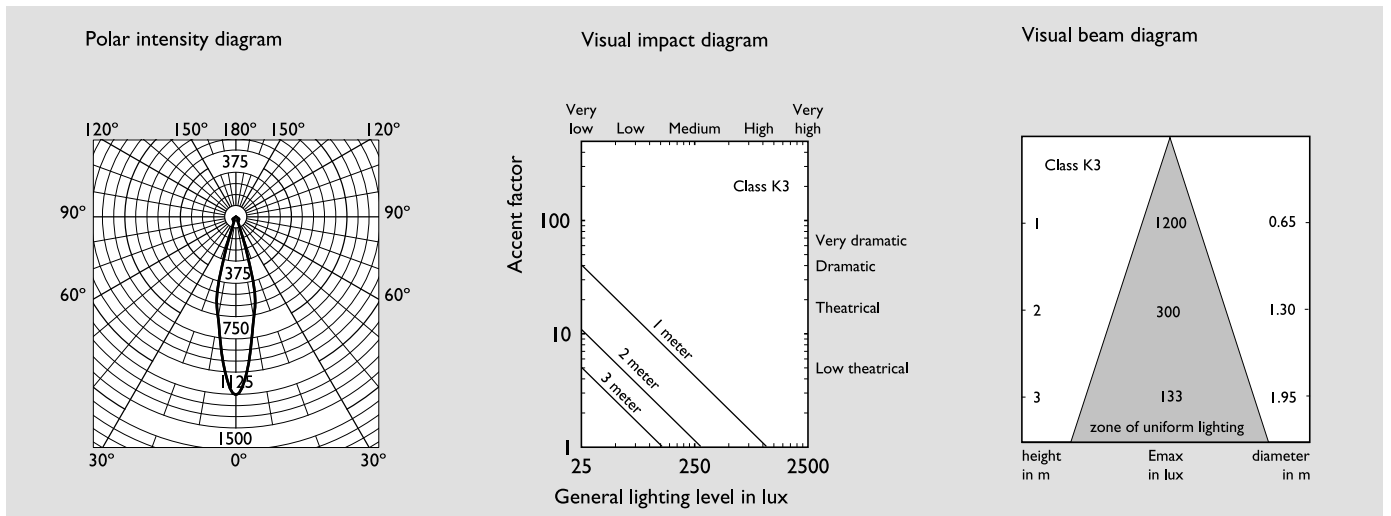
PAR 20-E REFLECTOR

technical and lighting data

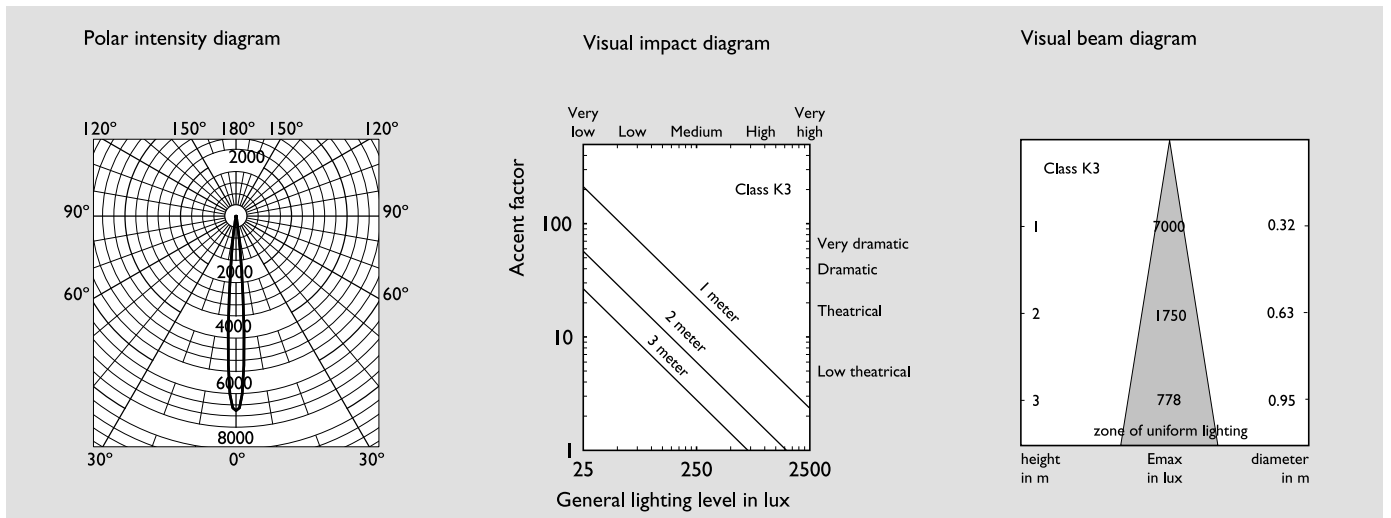
Type	Average lamp life	Maximum luminous intensity	Beam angle	Colour temperature	Input power	Power factor	Nett weight	EANcode 8711500	Ordering number	EOC
	h	cd	deg	K	W		g	12 units		
SPOT										
PAR 20-E 230V 20W 10DGR E27	5000	7000	10	3000	21	>0.95	110	425973	9247 802 44200	413109
PAR 20-E 240V 20W 10DGR E27	5000	7000	10	3000	21	>0.95	110	412409	9247 802 45500	412393
FLOOD										
PAR 20-E 230V 20W 25DGR E27	5000	1200	25	3000	21	>0.95	110	425959	9247 803 44200	413086
PAR 20-E 240V 20W 25DGR E27	5000	1200	25	3000	21	>0.95	110	412386	9247 803 45500	412379

notes

- 1) The lamp is not suitable for dimming or for use on electronic switches.
- 2) To prevent overheating of the electronic circuit inside, the case temperature T_c (see drawing) shall not exceed $110\text{ }^\circ\text{C}$ at nominal supply voltage. Under normal operating conditions this situation will not occur.
- 3) The product complies with following standards. Safety: IEC 968; EMC: EN 55015, EN 61000-3-2 and EN 55022; EMI: EN 61547.



MasterPAR 20, 25 DGR (Flood)



MasterPAR 20, 10 DGR (Spot)