

COVENTRY™ COUNTERTOP SINK

- Delicate molded-in swirl pattern
- Made from vitreous china
- Self-rimming with cutout template supplied
- Center drain outlet
- Front overflow

0575.000 Oval sink without faucet deck

Nominal Dimensions:

445mm x 356mm
(17-1/2" x 14")

Bowl sizes:

394mm (15-1/2") wide
311mm (12-1/4") front to back
133mm (5-1/4") deep

Compliance Certifications -

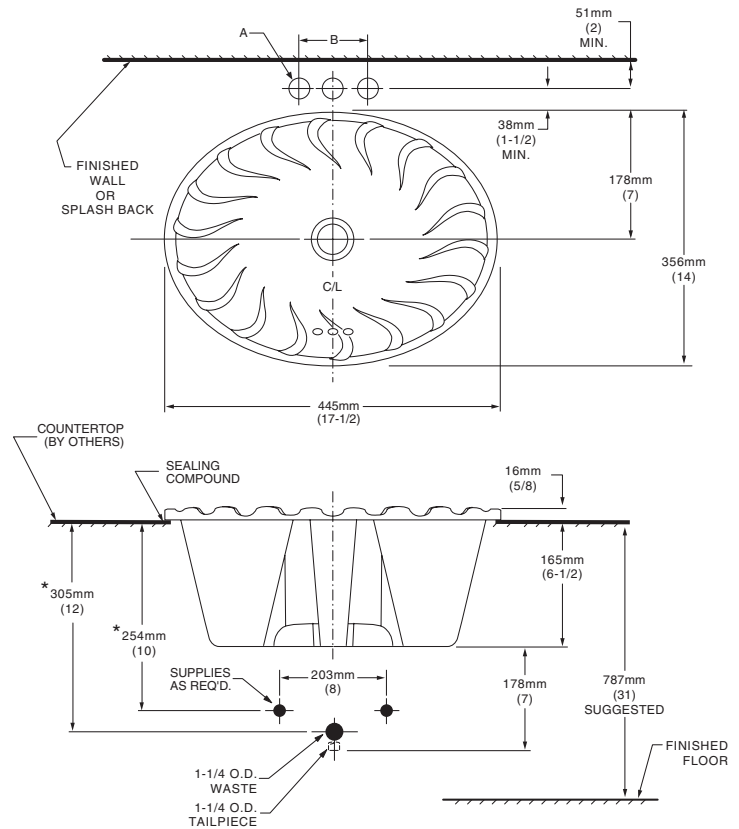
Meets or Exceeds the Following Specifications:

- ASME A112.19.2M for Vitreous China Fixtures

To Be Specified:

- Color:
- Faucet*:
- Faucet Finish:
- Supplies:
- 1-1/4" Trap:

* See faucet section for additional models available



FITTING	A	B
CENTER-SET	27mm(1-1/16)	102mm(4)
SPREAD	32mm(1-1/4)	203mm(8)

NOTES:

* DIMENSIONS SHOWN FOR LOCATION OF SUPPLIES AND "P" TRAP ARE SUGGESTED. FOR COUNTERTOP CUTOUT AND INSTALLATION INSTRUCTIONS USE TEMPLATE SUPPLIED WITH SINK. FITTINGS NOT INCLUDED WITH FIXTURE AND MUST BE ORDERED SEPARATELY. SEALING COMPOUND SUPPLIED BY OTHERS.

IMPORTANT: Dimensions of fixtures are nominal and may vary within the range of tolerances established by ANSI Standard A112.19.2. These measurements are subject to change or cancellation. No responsibility is assumed for use of superseded or voided pages.