

Tanaka

Parts Catalog

Blower / Vac

Model: THB-2400

THB-2400

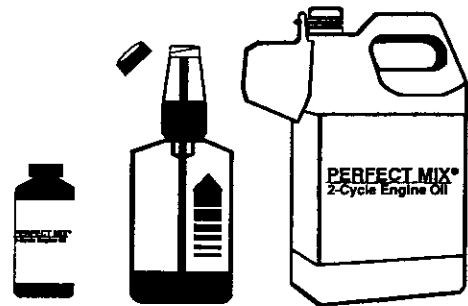
OPTIONS AND ACCESSORIES

MANUALS / CATALOGS

| | |
|-------|----------------|
| 27274 | Owner's Manual |
| 27293 | Parts Catalog |

VACUUM ATTACHMENT
part no. 301400 (Fig. 3)

PERFECT MIX® 2-Cycle Engine Oil



700109 2.8 oz. Bottle, 1 Gallon Size (24*)
700108 16 oz. Self-measuring Bottle (24*)
700110 1 Gallon Jug Commercial Size (6*)
* Case Quantity

SPECIAL TOOLS

| | | | |
|---------------|---------------------|--------|----------------------|
| 215432 | Pressure Test Tool | 111124 | T-27 Torx Drive 3.5" |
| 217720 | Torx Drive Set | 323330 | Ignition Tester |
| 222785 | T-25 Torx Drive 3.5 | 91424 | Tachometer |
| 009-29323-500 | Piston Pin Remover | | |

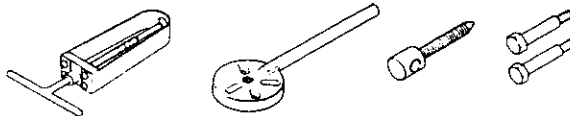


FIGURE 1

POWERHEAD ASSEMBLY

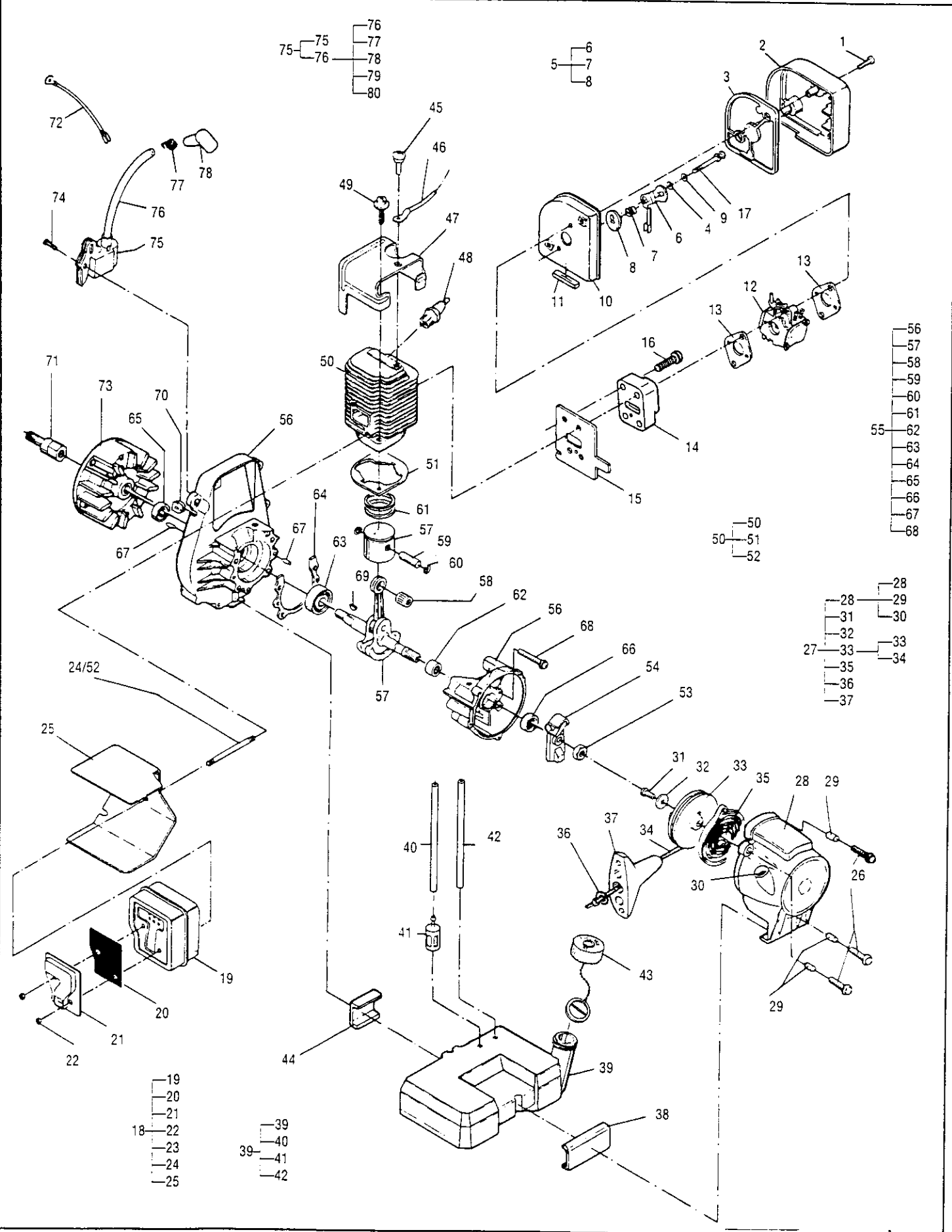


FIGURE 1

THB-2400 PARTS LISTING

| REF. | PART NO. | PART DESCRIPTION | Q | C | S | SERIAL NO | REMARKS |
|------|-----------|------------------------|---|---|---|-----------|------------|
| 1 | 217669 | SCREW,M4X25 | 2 | | C | | |
| 2 | 215988 | COVER,AIR CLEANER | 1 | | D | | |
| 3 | 217376 | FILTER,AIR | 1 | | D | | |
| 4 | 215993 | SPACER | 1 | | D | | |
| 5 | 223730 | KIT,CHOKE,ASS'Y | 1 | | D | | |
| 7 | 219016 | SPRING,SHUTTER | 1 | | C | | |
| 8 | 219076-01 | SHUTTER,CHOKE PLATE | 1 | | C | | |
| 9 | 216591 | WASHER | 1 | | C | | |
| 10 | 216108 | CLEANER,AIR | 1 | | D | | |
| 11 | 215992 | GROMMET | 1 | | D | | |
| 12 | 323704-04 | CARBURTOR | 1 | | C | | See fig. 4 |
| 13 | 224148 | GASKET,CARBURETOR | 2 | | C | | |
| 14 | 323323-01 | INSULATOR,CARBURETOR | 1 | | C | | |
| 15 | 323592 | INSULATOR,GASKET | 1 | | C | | |
| 16 | 217669 | SCREW,M4X25 | 2 | | C | | |
| 17 | 111063 | SCREW,M5x.8x21.5 | 2 | | C | | |
| 18 | 300631-01 | KIT,MUFFLER | 1 | | C | | |
| 19 | 301833-01 | MUFFLER | 1 | | C | | |
| 20 | 322018 | SCREEN,SPARK ARRESTOR | 1 | | C | | |
| 21 | 322019 | PLATE,DEFLECTOR | 1 | | C | | |
| 22 | 235642 | NUT | 2 | | C | | |
| 23 | 222480 | STUD,MUFFLER | 2 | | D | | |
| 24 | 323419 | STUD,MUFFLER | 2 | | C | | |
| 25 | 323759 | SHIELD,MUFFLER | 1 | | C | | |
| 26 | 216022 | SCREW,M4X21.4 | 3 | | C | | |
| 27 | 301355 | STARTER,ASS'Y | 1 | | C | | |
| 28 | 301356 | HOUSING,STARTER | 1 | | C | | |
| 29 | 219585 | SPACER,STARTER HOUSING | 3 | | C | | |
| 31 | 222800 | SCREW,M4X9.5 | 1 | | D | | |
| 32 | 216590 | WASHER,FLAT M4 | 1 | | C | | |
| 33 | 301252 | DRUM,ROPE,ASS'Y | 1 | | C | | |
| 34 | 216093 | ROPE,STARTER | 1 | | D | | |
| 35 | 300474 | SPRING STARTER | 1 | | C | | |
| 36 | 218941 | WASHER,NYLON | 1 | | D | | |
| 37 | 216792 | HANDLE,STARTER | 1 | | D | | |
| 38 | 217382 | CUSHION,TANK | 1 | | C | | |
| 39 | 219901 | TANK,FUEL | 1 | | C | | |
| 40 | 225162 | PIPE,FUEL | 1 | | B | | |
| 41 | 300869 | FILTER,FUEL | 1 | | B | | |

* Indicates the part is included in a kit or assembly and is not available individually. Q=Quan. used
C=Interchangeability S=Stocking code: A-Fast moving B=Med. fast C=Med. move D=Slow move
E=N.L.A. F=Superseded or replaced by a new part

FIGURE 1 cont.

THB-2400 PARTS LISTING

| REF. | PART NO. | PART DESCRIPTION | Q | C | S | SERIAL NO. | REMARKS |
|------|-----------|-----------------------------|---|---|---|------------|---------|
| 42 | 219897 | HOSE,FUEL RETURN | 1 | | C | | |
| 43 | 301376 | KIT,FUEL CAP/DECAL | 1 | | A | | |
| 44 | 217390 | CUSHION,TANK | 1 | | C | | |
| 45 | 213178 | SCREW,M5X8.5 | 1 | | D | | |
| 46 | 218649 | WIRE,GROUND | 1 | | D | | |
| 47 | 218586 | COVER,CYLINDER | 1 | | C | | |
| 48 | 322208 | PLUG,SPARK | 1 | | C | | |
| 49 | 217320 | SCREW,M6X18 | 2 | | D | | |
| 50 | 225059-02 | GASKET,CYLINDER KIT | 1 | | C | | |
| 51 | 323716 | GASKET,CYLINDER | 1 | | B | | |
| 52 | 323419 | STUD,MUFFLER | 2 | | C | | |
| 53 | 216583 | NUT,HEX | 1 | | C | | |
| 54 | 225037 | PAWL,STARTER,ASS'Y | 1 | | C | | |
| 55 | 302150 | KIT,CRANK CASE,SHAFT,PISTON | 1 | | D | | |
| 56 | 302026 | CRANKCASE,ASS'Y | 1 | | C | | |
| 58 | 323930 | BEARING,NEEDLE | 1 | | D | | |
| 59 | 223589 | PIN,WRIST | 1 | | C | | |
| 60 | 111026 | RING,SNAP | 2 | | D | | |
| 61 | 323678-00 | RING,PISTON | 2 | | C | | |
| 62 | 213282 | BEARING,ROLLER | 1 | | C | | |
| 63 | 216143 | BEARING,BALL | 1 | | C | | |
| 64 | 215545 | GASKET,CRANKCASE | 1 | | D | | |
| 65 | 83859 | SEAL,OIL | 1 | | C | | |
| 66 | 216500 | SEAL | 1 | | C | | |
| 67 | 213191 | PIN | 4 | | D | | |
| 68 | 216027 | SCREW,M5X28.5 | 4 | | C | | |
| 69 | 102164 | KEY,FLYWHEEL | 1 | | C | | |
| 70 | 215541 | GROMMET | 1 | | D | | |
| 71 | 218654 | SHAFT,EXTENSION | 1 | | C | | |
| 72 | 219383 | WIRE,SWITCH ASS'Y | 1 | | C | | |
| 73 | 222308 | FLYWHEEL | 1 | | C | | |
| 74 | 216022 | SCREW,M4X21.4 | 2 | | C | | |
| 75 | 302138 | IGNITION,ASS'Y | 1 | | C | | |
| 76 | 223884 | KIT,SPARK PLUG WIRE | 1 | | C | | |
| 77 | 102556 | CONNECTOR | 1 | | C | | |
| 78 | 95266 | BOOT | 1 | | C | | |

* Indicates the part is included in a kit or assembly and is not available individually. Q=Quan. used
C=Interchangeability S=Stocking code: A-Fast moving B=Med. fast C=Med. move D=Slow move
E=N.L.A. F=Superceded or replaced by a new part

FIGURE 2

GENERAL ASSEMBLY

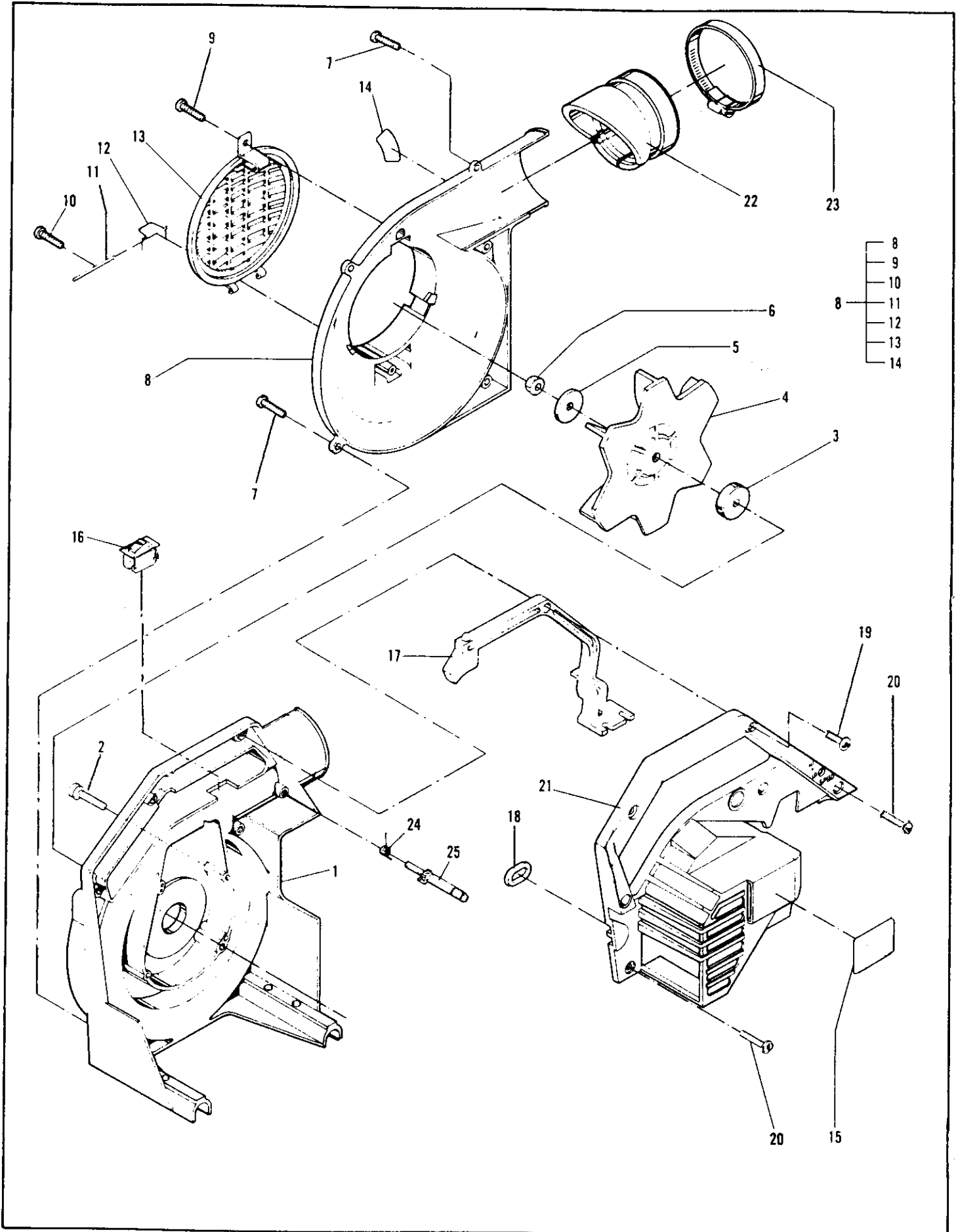


FIGURE 2

THB-2400 PARTS LISTING

| REF. | PART NO. | PART DESCRIPTION | Q | C | S | SERIAL NO | REMARKS |
|------|----------|-------------------------|---|---|---|-----------|---------|
| 1 | 322916 | HOUSING,INNER,IMPELLER | 1 | | C | | |
| 2 | 216022 | SCREW,M4X21.4 | 4 | | C | | |
| 3 | 218655 | DISC,DRIVE | 1 | | C | | |
| 4 | 218518 | IMPELLER | 1 | | C | | |
| 5 | 218656 | WASHER | 1 | | C | | |
| 6 | 213169 | NUT | 1 | | C | | |
| 7 | 218644 | SCREW | 5 | | C | | |
| 8 | 301358 | HOUSING,OUTER | 1 | | C | | |
| 9 | 216389 | SCREW | 1 | | C | | |
| 10 | 218643 | SCREW | 1 | | C | | |
| 11 | 218538 | PIN,COVER | 1 | | C | | |
| 12 | 218539 | SPRING,COVER | 1 | | C | | |
| 13 | 218939 | COVER,INLET | 1 | | C | | |
| 14 | 46704-56 | DECAL,WARNING | 1 | | D | | |
| 15 | 46704-55 | DECAL,WARNING | 1 | | D | | |
| 16 | 223241 | SWITCH,STOP | 1 | | C | | |
| 17 | 219189 | LEVER,THROTTLE | 1 | | C | | |
| 18 | 218667 | LINK,HARNESS | 2 | | C | | |
| 19 | 219954 | SCREW | 1 | | C | | |
| 20 | 218644 | SCREW | 5 | | C | | |
| 21 | 219946 | SHROUD,ENGINE | 1 | | C | | |
| 22 | 219174 | ADAPTER,TUBE | 1 | | C | | |
| 23 | 219172 | CLAMP,HOSE | 1 | | C | | |
| 24 | 219187 | SPRING,LOCK,THROTTLE | 1 | | C | | |
| 25 | 219188 | ACTIVATOR,LOCK,THROTTLE | 1 | | C | | |

* Indicates the part is included in a kit or assembly and is not available individually. Q=Quan. used
 C=Interchangeability S=Stocking code: A-Fast moving B=Med. fast C=Med. move D=Slow move
 E=N.L.A. F=Superceded or replaced by a new part

ACCESSORIES

FIGURE 3

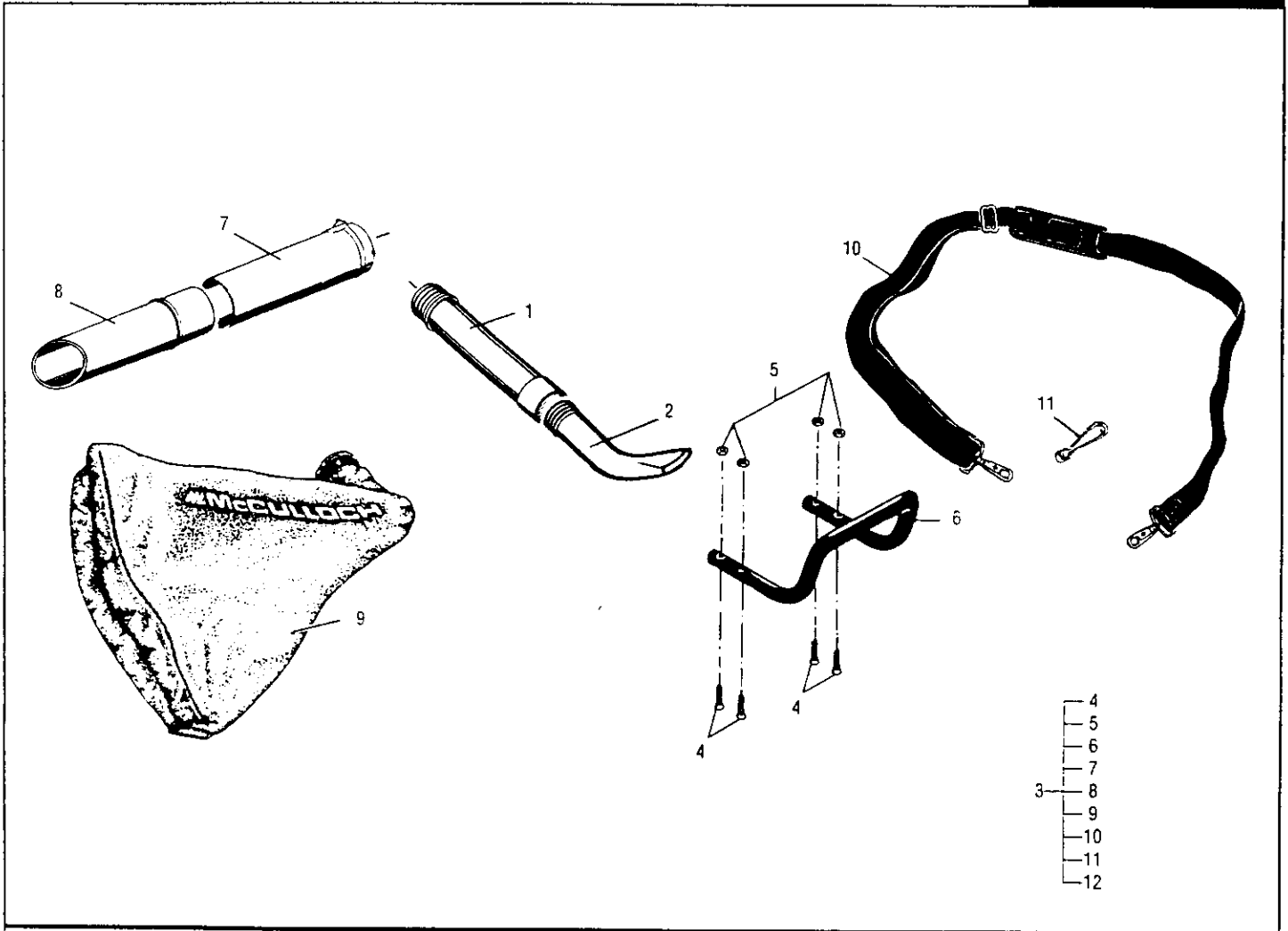


FIGURE 3

THB-2400 PARTS LISTING

| REF. | PART NO. | PART DESCRIPTION | Q | C | S | SERIAL NO | REMARKS |
|------|-----------|------------------|---|---|---|-----------|---------|
| 1 | 219173-01 | TUBE,BLOWER | 1 | | C | | |
| 2 | 218841 | NOZZLE | 1 | | C | | |
| 3 | 301400 | VAC KIT/THB-2100 | 1 | | A | | |
| 4 | 217937 | SCREW | 4 | | C | | |
| 5 | 105367 | NUT,HX,10-24 | 4 | | C | | |
| 6 | 223800 | FRAME,REAR | 1 | | C | | |
| 7 | 223798 | TUBE,SUCTION | 1 | | C | | |
| 8 | 223799 | TUBE,OUTER | 1 | | C | | |
| 9 | 323155 | BAG,ASS'Y | 1 | | C | | |
| 10 | 218666 | HARNESS | 1 | | C | | |
| 11 | 218938 | HOOK,SNAP | 1 | | C | | |

FIGURE 4

CARBURETOR ASSEMBLY

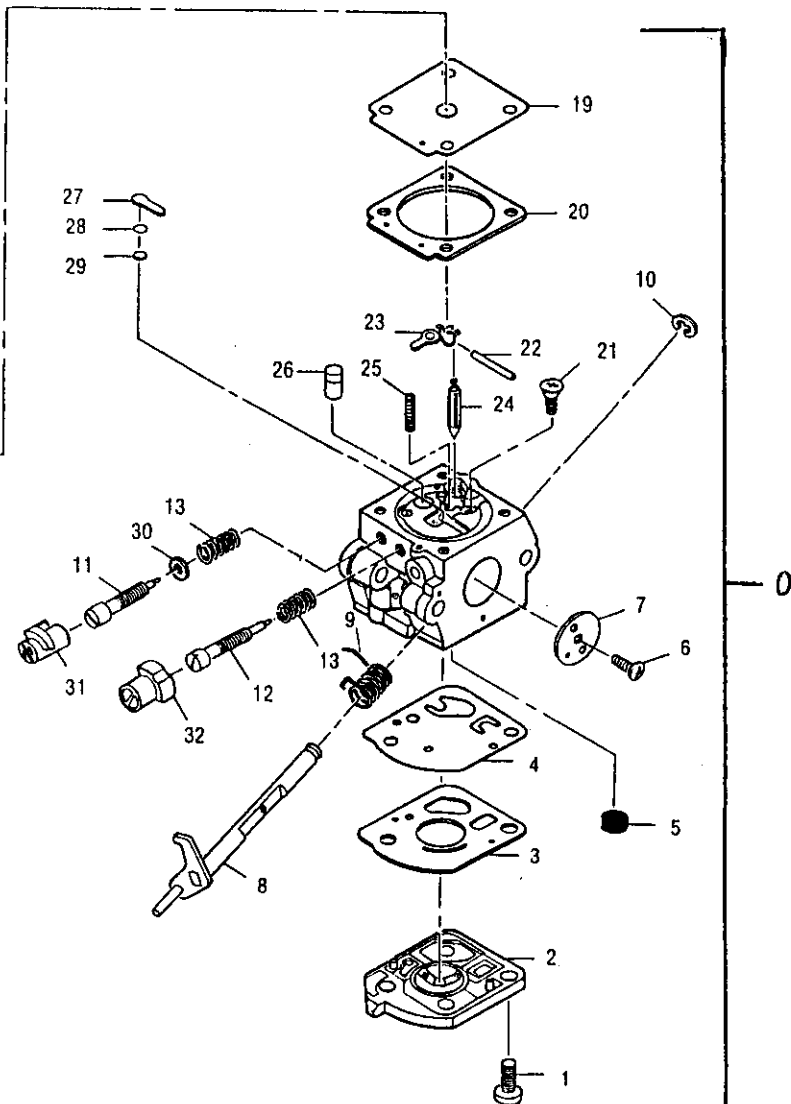
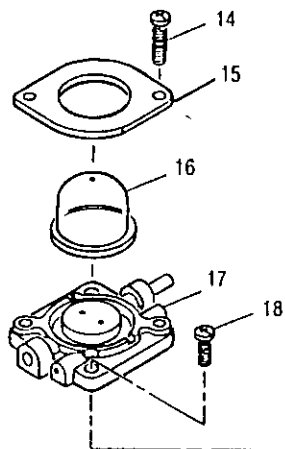


FIGURE 4

THB-2400 PARTS LISTING

| REF. | PART NO. | PART DESCRIPTION | Q | C | S | SERIAL NO. | REMARKS |
|------|-----------|--------------------------------|---|---|---|------------|--------------------------------|
| ALL | 323704-04 | CARBURETOR, ASS'Y | 1 | | C | | |
| 1 | ~~~ | SCREW, PUMP COVER | 2 | | | | |
| 2 | ~~~ | COVER, PUMP | 1 | | | | |
| 3 | ~~~ | (1)(2) GASKET, PUMP | 1 | | | | (1) Carb. Repair Kit |
| 4 | ~~~ | (1)(2) DIAPHRAGM, PUMP | 1 | | | | 300466 |
| 5 | ~~~ | (1) STRAINER | 1 | | | | |
| 6 | ~~~ | SCREW, THROTTLE VALVE | 1 | | | | (2) Carb. Gasket/Diaphragm Kit |
| 7 | ~~~ | VALVE, THROTTLE | 1 | | | | 300472 |
| 8 | ~~~ | SHAFT ASS'Y, THROTTLE | 1 | | | | |
| 9 | ~~~ | SPRING, THROTTLE | 1 | | | | |
| 10 | ~~~ | "E" RING, THROTTLE | 1 | | | | |
| 11 | ~~~ | (1) SCREW, HIGH SPEED | 1 | | | | |
| 12 | ~~~ | (1) SCREW, LOW SPEED | 1 | | | | |
| 13 | ~~~ | SPRING, ADJUSTER SCREW | 2 | | | | |
| 14 | ~~~ | SCREW, METERING COVER | 2 | | | | |
| 15 | ~~~ | RETAINER, PRIMER | 1 | | | | |
| 16 | 223756 | BULB, PRIMER | 1 | | C | | |
| 17 | ~~~ | BASE ASS'Y, PRIMER | 1 | | | | |
| 18 | ~~~ | SCREW, BASE ASS'Y | 2 | | | | |
| 19 | ~~~ | (1)(2) DIAPHRAGM, ASS'Y, METER | 1 | | | | |
| 20 | ~~~ | (1)(2) GASKET, METER. CHAMBER | 1 | | | | |
| 21 | ~~~ | SCREW, PIN RETAINING | 1 | | | | |
| 22 | ~~~ | (1) PIN, METERING LEVER | 1 | | | | |
| 23 | ~~~ | (1) LEVER, METERING | 1 | | | | |
| 24 | ~~~ | (1) VALVE, INLET NEEDLE | 1 | | | | |
| 25 | ~~~ | (1) SPRING, METERING LEVER | 1 | | | | |
| 26 | ~~~ | (1) NOZZLE ASS'Y CK. VALVE | 1 | | | | |
| 27 | ~~~ | (1) PLUG, WELCH | 1 | | | | |
| 28 | ~~~ | RETAINER, CHECK VALVE | 1 | | | | |
| 29 | ~~~ | VALVE, CHECK | 1 | | | | |
| 30 | ~~~ | | | | | | |
| 31 | 323603 | LIMITER CAP, HIGH | 1 | | C | | |
| 32 | 323604 | LIMITER CAP, LOW | 1 | | C | | |

(1) (2) Indicates the part is included in a kit or assembly and is not available individually. Q=Quan. used
 C=Interchangeability S=Stocking code: A=Fast moving B=Med. fast move C=Med. move D=slow move E=N.L.A.
 F=Superseded or replaced by a new part.