

APPLICATION

Model SSWDR-53 is a round backdraft damper which may be mounted horizontally for airflow up or down, or mounted vertically for horizontal airflow.

RATINGS

Pressure: 3 in. wg (.7 kPa)
Velocity: 2000 fpm (10.2 m/s)
Temperature: 180°F (82°C)

STANDARD CONSTRUCTION

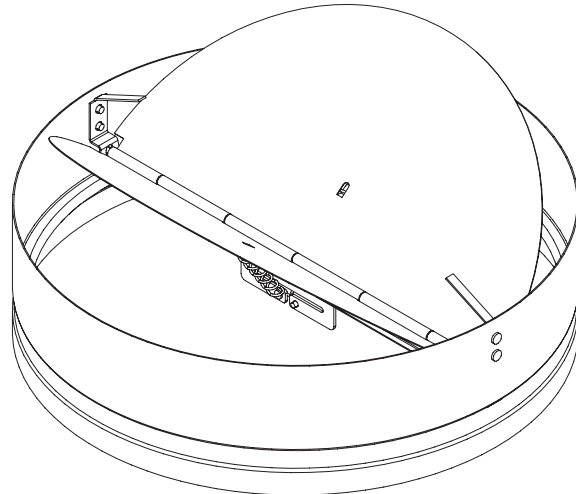
Frame: 20 ga. (1mm) 304 stainless steel
Blades: 24 ga. (.7mm) 304 stainless steel
Blade Seal: closed cell neoprene/EPDM/SBR blend

SIZE LIMITATIONS (available in 1 in. [25mm] increments)

Minimum Size: 4 in. (102mm)
Maximum Size: 24 in. (610mm)

OPTIONAL FEATURES

Extended Frame



Diameter is approximately 1/8 in. (3mm) undersize.

Frame Dimensions	
Damper Model	Length
SSWDR-53 Standard Frame	3.25 in. (83mm)

SSWDR-53 Extended Frame	
Damper Diameter	Length "L"
5 in. - 10.999 in. (127mm - 279mm)	7.25 in. (184mm)
11 in. - 16.999 in. (279mm - 432mm)	10.25 in. (260mm)
17 in. - 24 in. (432mm - 610mm)	13.25 in. (336mm)

