



Winchester Front Installation Instructions

**For use with the Logic Hotbox, Logic Convector, Logic IPF,
Logic E-Box™ and E-Studio™**

USER AND INSTALLATION INSTRUCTIONS

Covering the following front:

Logic 8698 MB

8698 P

E-Box 8697 MB

E-Studio 8697 P

USER INSTRUCTIONS

1. CLEANING AND CONTROLS

- 1.1 Only clean the front when it is cold. The front should be cleaned using a damp cloth and buffed with a lint free duster.
- 1.2 Access to the controls is behind the ash pan cover.

INSTALLATION INSTRUCTIONS

These instructions are supplemental to and must be read in conjunction with the *Installation Instructions* supplied with the gas fire. Read both thoroughly before installing the appliance.

Fitting of this front is to be carried out after the appliance has been fully installed but before the commissioning tests. Except for use with the E-Box where commissioning will need to take place prior to fitting the front.

1. FRONT DIMENSIONS

Diagram 1 shows the Winchester Front dimensions for the Logic hotbox, Logic Convector and Logic IPF:

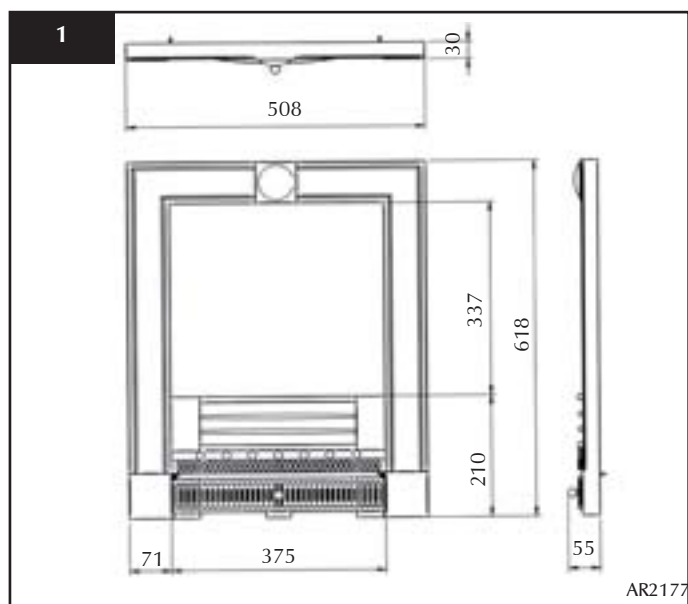
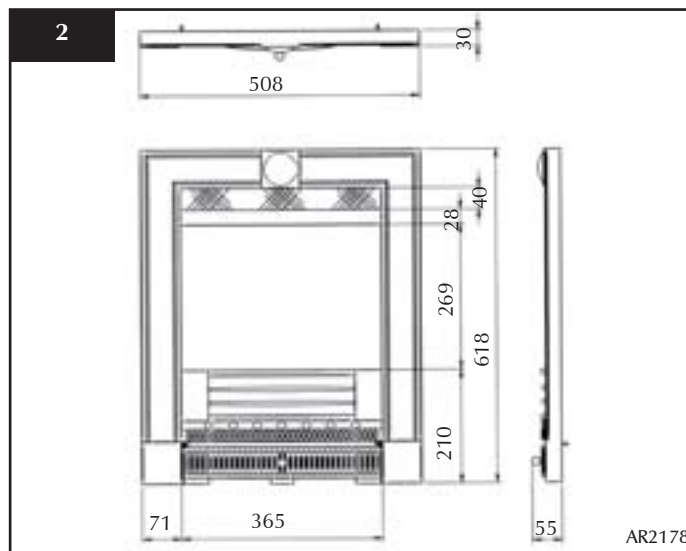


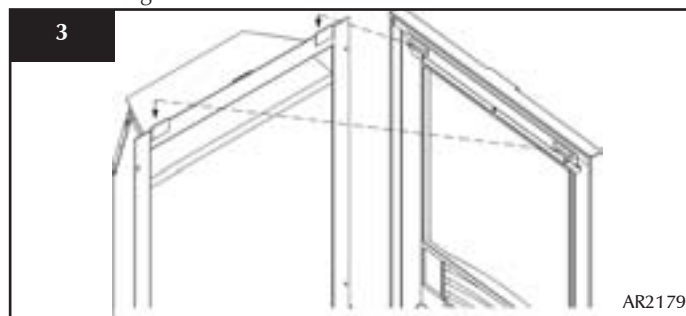
Diagram 2 shows the Winchester Front dimensions for the E-Box, E-Studio Conventional and Balanced Flue:



2. FITTING FOR ALL FIRE TYPES

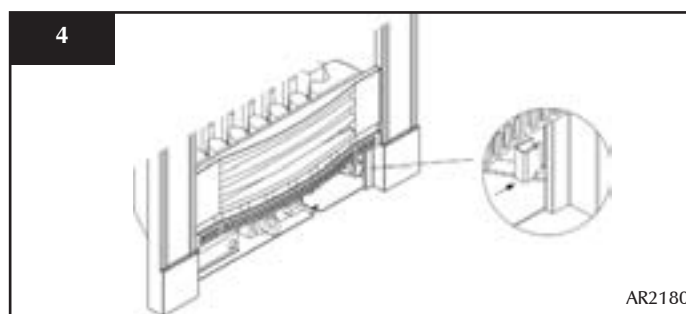
There is a bracket on the reverse side of the front at the top edge:

- Hook the bracket onto the lugs at the top of the fire, Diagram 3



There are two flat clips supplied to grip the bottom edge of the front to the fire:

- Clip each side of the front to the fire as shown in Diagram 4



- Slide the ash pan cover into place