



CE 89/336
73/23

ISSUED: DEC. 4, 2001
REVISED: APRIL 14, 2003

KM-1300SAH-E
KM-1300SRH-E

STACKABLE CRESCENT CUBER
GESTAPELTE EISMASCHINE FÜR SICHELFORMIGE EISWÜRFEL
PRODUCTOR DE FORMAS DE HIELO APILADO
DISTRIBUTEUR EMPILE DE CUBELETS EN DEMI-LUNE
CUBETTATRICE A MEZZALUNA IMPILABILE
GESTAPELDE HALVE-MAANVORMIGE IJSMACHINE

INSTALLATION MANUAL BEDIENUNGSANLEITUNG MANUAL DE INSTALACIÓN NOTICE D'INSTALLATION MANUALE DI INSTALLAZIONE INSTALLATIEINSTRUCTIES

FOR QUALIFIED INSTALLER ONLY
NUR FÜR QUALIFIZIERTE INSTALLATEURE
EXCLUSIVAMENTE PARA INSTALADORES AUTORIZADOS
DESTINE UNIQUEMENT A L'INSTALLATEUR QUALIFIE
PER L'USO ESCLUSIVO DA PARTE DI INSTALLATORI ESPERTI
UITSLUITEND VOOR BEVOEGDE INSTALLATEURS

IMPORTANT

1. In order to carry out safe and proper installation of the product, please read this booklet carefully beforehand and follow the instructions contained within.
2. On completion of the installation, start the icemaker to check for any abnormalities, and instruct the user on how to use and maintain the icemaker in accordance with the Instruction Manual.
3. This booklet should be handed over to the user after the installation and be preserved by the user together with the Instruction Manual for any further consultation that may be necessary.

WARNING

The installation must be carried out by qualified personnel, in accordance with current regulations, according to the manufacturer's instructions.

1. UNPACKING

WARNING

Children should not be allowed in reach of the packaging elements (plastic bags and expanded polystyrene) as they are potential sources of danger.

CAUTION

Remove shipping carton, tape(s) and packing. If packing material is left in the icemaker, it will not work properly.

Note: 1. This icemaker needs a storage bin. The recommended storage bin is HOSHIZAKI ICE STORAGE BIN, Model B-800 series.

2. The remote air-cooled model requires HOSHIZAKI REMOTE CONDENSER UNIT, Model URC-12F-E.

- 1) After removing the packaging, make sure that the icemaker is in good condition. If in doubt, please do not use the equipment but apply to professionally qualified personnel. See the instruction sheet attached to the Storage Bin for its unpacking and installation guidelines.
- 2) Remove the panels to prevent damage when installing the icemaker. (See "2. HOW TO REMOVE PANELS.")
- 3) Remove the package containing the accessories from the compressor compartment.

- 4) Remove the protective plastic film from the panels. If the icemaker is exposed to the sun or to heat, remove the film after the icemaker cools.
- 5) Check that the refrigerant lines do not rub or touch lines or other surfaces, and that the fan blade turns freely.
- 6) Check that the Compressor is snug on all mounting pads.
- 7) See the Nameplate on the Rear Panel, and check that your voltage supplied corresponds with the voltage specified on the Nameplate.
- 8) Remove the shipping tapes securing the Cube Guide.

2. HOW TO REMOVE PANELS - See Fig. 1

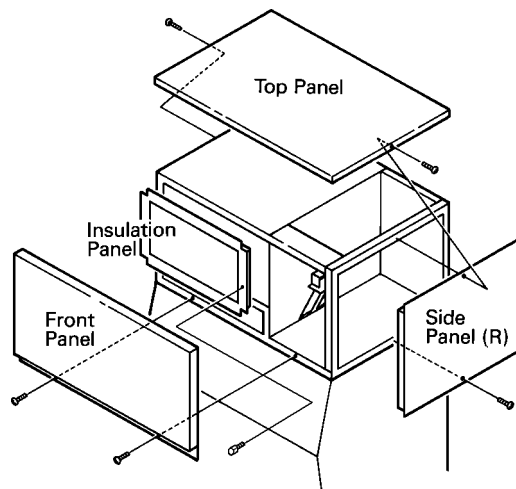


Fig. 1

- a) Front Panel Remove the two screws. Lift up and pull toward you.
- b) Top Panel Remove the two screws, and then lift off.
- c) Side Panel (R) . . . Remove the screw. Pull slightly toward you, and take off.
- d) Insulation Panel . . . Remove the Thumbscrew. Lift up slightly, and pull toward you.

3. LOCATION

IMPORTANT

1. This icemaker is not intended for outdoor use. Normal operating ambient temperature should be within +7°C to +40°C. Normal operating water temperature should be within +7°C to +35°C. Operation of the icemaker, for extended periods, outside of these normal temperature ranges may affect production capacity.
2. The icemaker should not be located next to ovens, grills or other high heat producing equipment.
3. The location should provide a firm and level foundation for the equipment.
4. Allow 15 cm. clearance at rear, sides and top for proper air circulation and ease of maintenance and/or service should they be required.
5. This appliance is not suitable for installation in an area where a water jet could be used and where dripping is not allowed.
6. Do not place anything in front of the Louver.
7. This icemaker will not work at subfreezing temperatures. To prevent damage to the water supply line, drain the icemaker when air temperature is below zero.

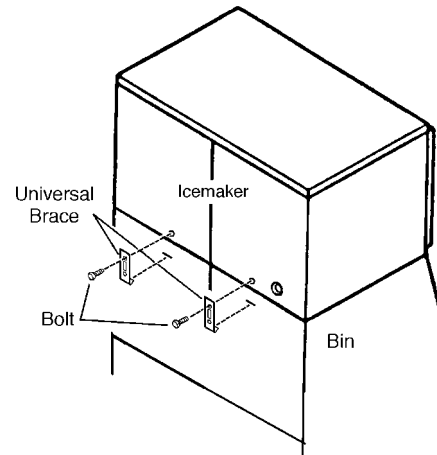


Fig. 2

CAUTION

Before operating the icemaker, the Bin Control Thermostat must be installed correctly.

- 5) Install the Bin Control Thermostat as follows. See Figures 3a and 3b.
 - (a) Remove the tie securing the Thermostat and Bracket. Remove the Thermostat and the Bracket from the Shipping Hook by lifting them up and shifting them to the right.
 - (b) Lower the Thermostat Bracket through the hole located at the bottom of the icemaker.
 - (c) Insert the Plug into the Receptacle on the Bracket until it locks in place
 - (d) Secure the Thermostat Bracket in place with the two thumbscrews.

4. INSTALLATION

- The installation must be carried out by qualified personnel, in accordance with current regulations, according to the manufacturer's instruction.
 - Incorrect installation can cause harm to people, animals the icemaker, or the installation location, for which the manufacturer cannot be held responsible.
- 1) Unpack the Storage Bin, and attach the four adjustable legs provided (bin accessory) to the bottom of the Storage Bin.
 - 2) Position the Storage Bin in the selected permanent position.
 - 3) Place the icemaker onto the top of the Storage Bin taking care not to damage the bin top sealing gasket.
 - 4) From the accessory pack, locate the two Universal Braces and bolts to secure the icemaker to the Bin. (See Fig. 2).

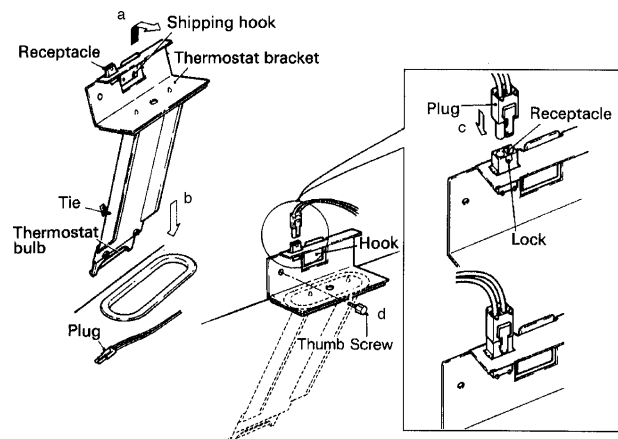


Fig. 3a

- (e) Remove the Bin Control Bracket Extension from the accessory bag.
- (f) Remove the Ice Deflector from the Bin.
- (g) Remove the two screws holding the Thermostat Bulb Attachment to the end of the Thermostat Bracket.
- (h) Use these two screws to attach the Bin Control Bracket Extension to the Thermostat Bracket.
- (i) Use the two 4 x 10 stainless steel screws in the accessory bag to attach the Thermostat Bulb Attachment to the end of the Bin Control Bracket Extension.
- (j) Reinstall the Ice Deflector in the Bin.

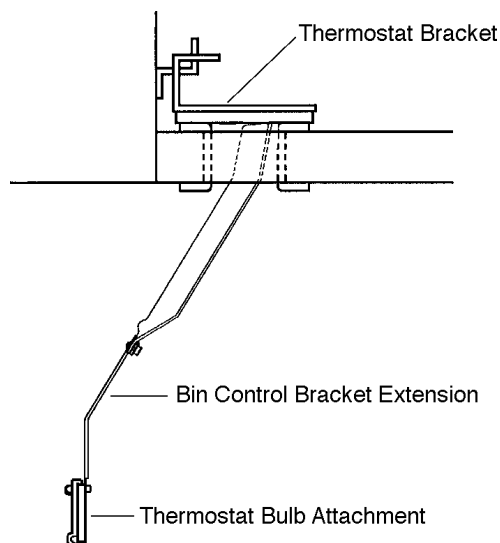


Fig. 3b

- 6) Level the icemaker/Storage Bin in both the left-to-right and front-to-rear directions by turning the bin leg adjusters with a wrench..
- 7) Replace the panels in their correct position.

5. STACKING TWO ICEMAKERS - See Fig. 4 & 5

- 1) Complete Section 4. "INSTALLATION" for the lower unit.
- 2) Remove the Top Panel and the Top Insulation of the lower unit. The Top Panel and the Top Insulation of the lower unit are not required when installing the second icemaker.

- 3) Unpack the second icemaker (upper unit), and remove all shipping cartons, tape(s) and packing.
- 4) Remove the panels of the second icemaker.
- 5) Stack the upper unit on the top of the lower unit.
- 6) From the accessory pack of the upper unit, locate the two Universal Braces and four bolts to secure the upper to the lower unit.

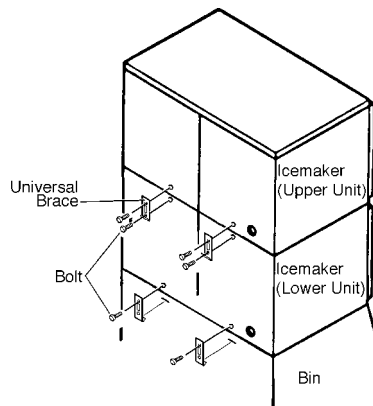


Fig. 4

- 7) Remove the Thermostat Bulb Attachment of the upper unit from the Thermostat Bracket.
- 8) Route the Bin Control Thermostat Capillary Tubing of the upper unit through the bottom hole of the upper unit and into the lower unit and then through the bottom hole of the lower unit into the Bin. Secure the Thermostat Bulb of the upper unit, complete with its attachment, to that of the lower unit with the screws previously removed from the upper unit. (See Fig. 5.)
- 9) Insert the plug of the upper unit into the receptacle of the upper unit on the Bracket until it locks in place.
- 10) Secure the Thermostat Bracket in position using the two thumbscrews.
- 11) Place the panels of both machines back into position.

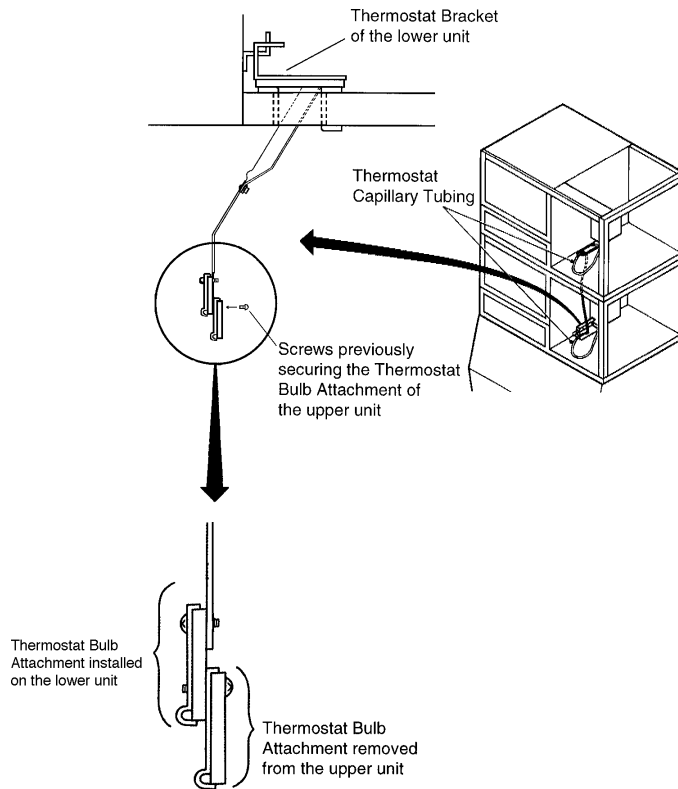


Fig. 5

6. ELECTRICAL CONNECTION

WARNING

THIS APPLIANCE MUST BE EARTHED

This icemaker requires an earth that meets the national and local electrical code requirements. To prevent possible severe electrical shock to individuals or extensive damage to equipment, install a proper earth wire to the icemaker. Turn off the power supply before any maintenance, repairs or cleaning is undertaken.

- This icemaker must have a separate power supply or receptacle of proper capacity. See the Nameplate. It is recommended that this icemaker be the only electrical device on its power supply circuit.
- Stacked icemakers should each have a separate receptacle, but they must all be connected in parallel to the same single phase supply or circuit with sufficient ampacity.

- The opening for the power supply connection is 22.2 mm. diameter to fit a conduit.
- If a power cord is used to provide electricity to the icemaker in place of the permanent (conduit) connection, a gland should be installed at the 22.2 mm. power supply connection. This gland should be of the correct size for the power supply cord being installed. The size of the conductors of this power supply cord should be suitable for the electrical consumption of this icemaker.

As the colours of the wires in the terminal box of this appliance may not correspond with field supplied wiring or with the markings identifying the terminals in your power supply receptacle, proceed as follows:

The wire which is coloured Green-and-Yellow must be connected to the terminal in the receptacle which is marked with the letter E or by the symbol \perp or coloured Green or Green-and-Yellow. The wire which is coloured Blue must be connected to the terminal which is marked with the letter "N" or coloured Black. The wire which is coloured Brown must be connected to the terminal which is marked with the letter L or coloured Red.

- Usually an electrical permit and services of a licensed electrician are required.
- For the electrical connection of the URC-12F-E remote condenser unit to the fan motor junction of the KM-1300SRH-E, an IPX4 rated conduit is recommended. If a power supply cord is used, the cord itself should be certified for outdoor use and a gland rated IPX4 should be used where the cord enters the model URC-12F-E remote condenser.
- Usually an electrical permit and services of a licensed electrician are required.

7. INSTALLATION OF REMOTE CONDENSER UNIT (Remote Air-Cooled Model Only)

[a] UNPACKING

- 1) Unpack and remove shipping carton, tape(s) and packing.
- 2) Check that the refrigerant lines do not rub or touch lines or other surfaces, and that the fan blade turns freely.

[b] LOCATION

The condenser unit is intended for outdoor use and must be positioned in a permanent, well ventilated site under the following guidelines:

- Select a firm and flat site.
- Should not be exposed to harsh or adverse weather conditions.

- Preferably a dry and well ventilated area with 60 cm clearance on both front and rear for ease of maintenance and service should they be required.
- Normal condenser ambient temperature: -28°C to +50°C. Temperatures not within this operating range may affect the production capacity of the icemaker.
- The maximum line length for the standard refrigerant charge is 20 meters.
- The absolute maximum line length is 30 meters and will require an additional refrigerant charge. Please contact your nearest Hoshizaki office listed in the Instruction Manual for guidance.
- The Condenser should not be installed more than 10 meters above the height of the icemaker or more than 3 meters below it measured from fitting to fitting.

Note: If the recommended guidelines of the installation are exceeded, the icemaker performance may be reduced.

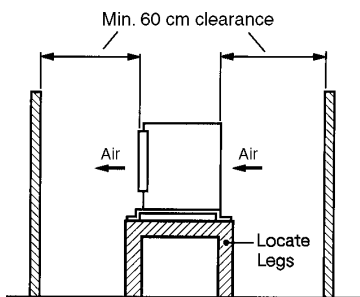


Fig. 6

[c] INSTALLATION

- 1) Secure the Legs to the condenser unit with eight M8 x 16 mm. Hexagon Bolts and M8 Nuts as shown in the illustration. See Fig. 7.

Note: Locate the Legs symmetrically.

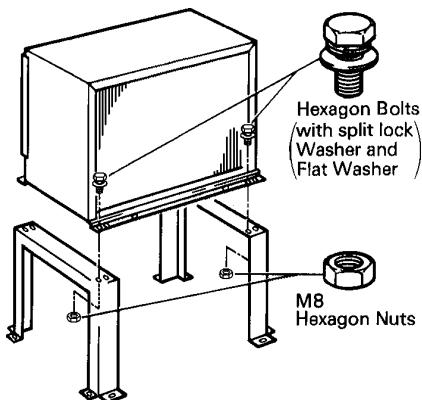


Fig. 7

- 2) Eight mounting holes are provided to secure the Condenser to the site surface (bolts not supplied).
- 3) Install enough length of the two copper tubings between the icemaker and condenser unit. Pre-charged tubes have fitted Aeroquip couplings. Avoid excess loops or coils to eliminate oil traps or crimps in the tubing. Both tubes should always be separately insulated. See Fig. 8.
- A connector kit "OS-QUICK" is available for field-fabricated lines from HOSHIZAKI EUROPE.
- R-404A precharged tubing kits, available as optional equipment also from HOSHIZAKI EUROPE, are recommended.
- 4) Line sets fabricated in the field should be leak tested and evacuated before connection to the icemaker/condenser through the charging ports on the Aeroquip couplings and charged with R-404A refrigerant vapor to a pressure of 15-30 PSIG (1-2 bar).

Note: Factory fabricated tubing kits are precharged and do not need to be evacuated.

- 5) Remove the plastic caps protecting the couplings. Lubricate the coupling threads and O-rings with clean refrigerant oil of a type suitable for R404A.
- 6) Connect and tighten the couplings onto the icemaker and Condenser as follows until they bottom out and then a further 1/4 turn to ensure a good brass-to-brass contact.

Icemaker discharge refrigerant line:

1/2" OD tubing to "DIS" of condenser unit

Icemaker liquid refrigerant line:

3/8" OD tubing to "LIQ" of condenser unit

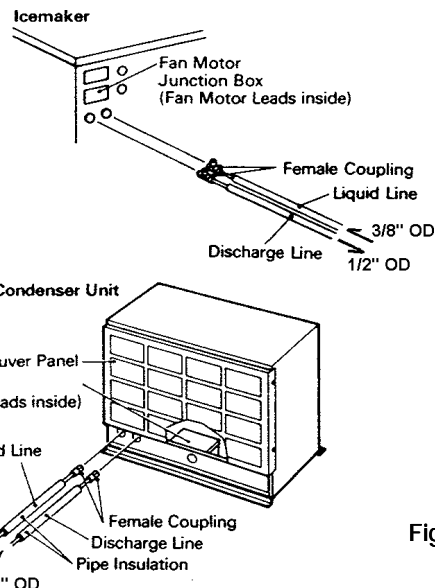


Fig. 8

Note: Care should be taken that the unit, line set and Condenser contain the same type refrigerant prior to making connections. Mixing of refrigerants will result in improper operation and possible damage to the refrigeration system. Make the connections at the remote condenser first and then at the icemaker.

7) Thoroughly leak test the coupling joints.

[d] ELECTRICAL CONNECTION

WARNING

THIS APPLIANCE MUST BE EARTHED

This remote condenser unit requires an earth that meets the national and local electrical code requirements. To prevent possible severe electrical shock to individuals or extensive damage to equipment, install a proper earth wire to the icemaker. Turn off the power supply before any maintenance, repairs or cleaning is undertaken.

- This condenser unit must be connected to the Fan Motor Junction Box on the icemaker.
- The opening for the power supply connection is 22.2 mm. to fit a conduit.

- If a power supply cord is used instead of the conduit to connect the URC-12F-E to the fan motor junction box of the KM-1300SRH-E, this cord should be rated for outdoor use. At the entrance to the URC-12F-E, a certified gland rated IPX4 should be used where the cord enters the URC-12F-E.

- Recommended conductor size is .75mm².
- Usually an electrical permit and services of a licensed electrician are required.

- 1) Remove the four screws and the Panel of the remote condenser.
- 2) Remove the two screws and the Junction Box Cover on the remote condenser.
- 3) Remove the screw and the URC Fan Motor Junction Box Cover on the icemaker.
- 4) Connect the Fan Motor leads in the Junction Box of the remote condenser unit to the Fan Motor leads in the Junction Box of the HOSHIZAKI remote air-cooled icemaker. The Fan Motors in the URC-12F-E operate on 115 V AC. Do not connect the URC-12F-E to the 230 V AC mains power supply.
- 5) Install an earth ground wire from the icemaker to the remote condenser unit.
- 6) Replace the Panel and the Junction Box Cover in their original positions.

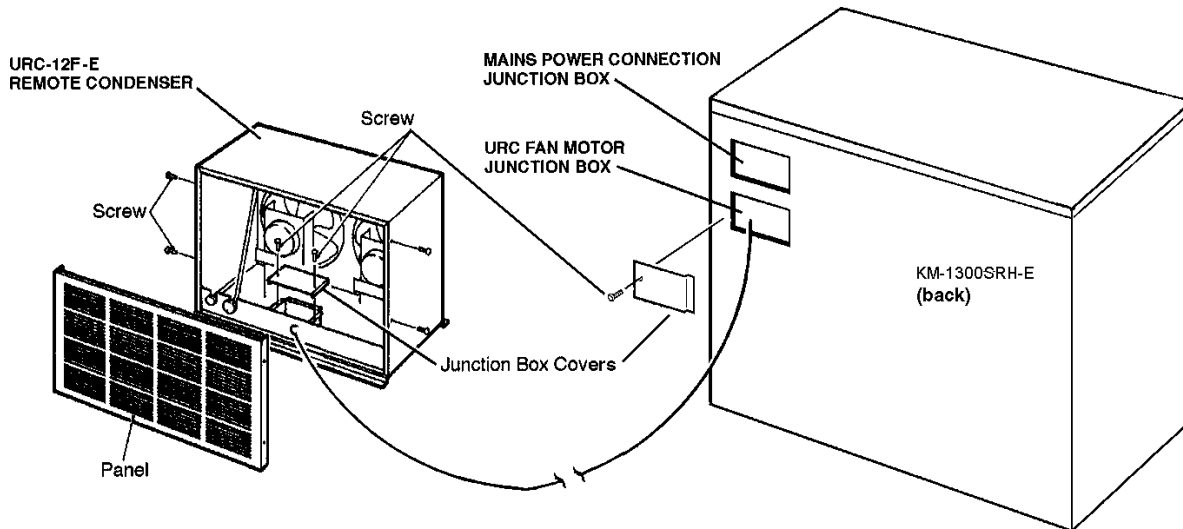
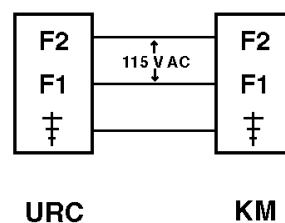


Fig. 9



[e] STACKING THE CONDENSER UNIT

- 1) Secure the lower condenser unit to the Legs with eight bolts.
- 2) Remove the Top Panel of the lower condenser.
- 3) Place the upper condenser unit on the top of the lower.
- 4) Secure the upper condenser unit with the four screws from the Top Panel of the lower condenser.
- 5) Install refrigerant lines, and make electrical connection for each Fan Motor as shown in Items [c] and [d].

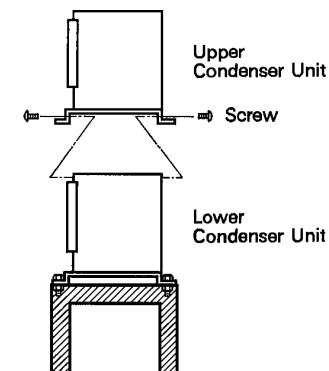


Fig. 10

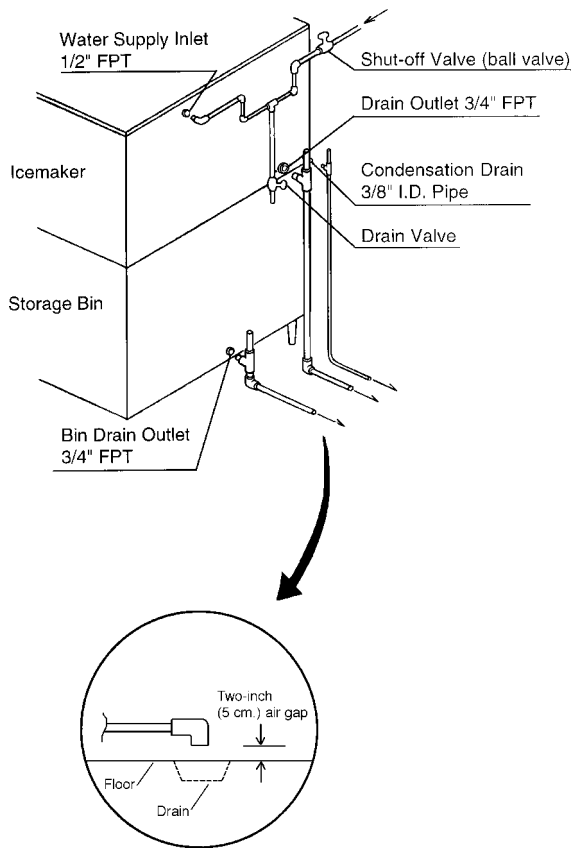
8. WATER SUPPLY AND DRAIN CONNECTIONS - See Fig. 11

WARNING

To prevent damage to the pump assembly, do not operate the icemaker when the water supply is OFF, or if the pressure is below .7 bar. Do not run the icemaker until the proper water pressure is reached.

- Only potable water should be used for the icemaker supply.
- Connection to the water services should be done by a professionally qualified person.
- Water supply inlet is 1/2" female pipe thread (FPT).
- A water supply line shut-off valve and drain valve should be installed. A ball valve is recommended for the shut-off valve. A type of valve other than a ball valve should not have a minimum opening smaller than the water supply line ID as this can cause a reduced water flow rate which can lead to poor defrost performance and/or freeze up. A minimum of 13 mm. OD copper tubing is recommended for the water supply lines.
- Water supply pressure should be a minimum of .7 bar and a maximum of 8 bar. If the pressure exceeds 8 bar, the use of a pressure reducing valve is required. Do NOT throttle back the supply tap.
- Drain outlet for icemaker dump and storage bin is 3/4" FPT. The drain for condensation is a 10 mm. ID pipe. The icemaker drain and the condenser drain piping connections must be made separately from the bin drain. The sump drain should be vented to insure an adequate flow rate during the harvest cycle. (See Fig. 11).
- Do NOT use solder type fittings as the application of heat to the icemaker/bin may result in damage to the internal connections.
- The drains must have 2 cm. fall per 30 cm. on horizontal runs to get a good flow.
- The drains should not be piped directly to the sewer system. An air gap of a minimum of 5 vertical cm. should be between the end of the drain pipe from the icemaker or the ice bin and the floor drain. (See Fig. 11).
- This icemaker should be installed in accordance with applicable national, provincial and local regulations.
- In some areas, a back flow preventer may be required in the cooling water circuit.

KM-1300SAH-E
KM-1300SRH-E



Separate piping to approved drain.
 Leave a two-inch (5 cm.) vertical air gap
 between the end of each pipe and
 the drain.

Fig. 11

9. START UP

WARNING

1. This icemaker is designed to produce edible ice. To keep the icemaker sanitary:

- Wash your hands before removing ice.
- Use the Plastic Scoop provided (accessory).
- Keep the Scoop clean. Clean it by using a neutral cleaner and rinsing thoroughly.
- The Storage Bin is for ice use only. Do not store anything else in the Bin.
- Close the Door after removing ice to prevent entrance of dirt, dust or insects into the Storage Bin.

2. The use of any electrical equipment involves the observance of some fundamental rules. In particular:

- Instances of high humidity and moisture increase the risk of electrical short circuits and potential electrical shocks. If in doubt, disconnect the icemaker.
- Do not use the icemaker when you have bare feet.
- Do not pull the electricity supply wire in order to disconnect the icemaker from the feed network.
- This appliance is not suitable for unsupervised use by young children or aged or infirm persons.

3. All parts are factory-adjusted. Improper adjustments may result in failure.

4. If the unit is turned off, wait for at least 3 minutes before restarting the icemaker to prevent damage to the Compressor.

5. Do not operate the unit in the "WASH" position without water in the Water Tank. This will cause damage to the Water Pump seal.

- 1) Open the Water Supply Line Shut-off Valve.
- 2) Remove the Front Panel.
- 3) Move the Control Switch, on the Control Box, to the "ICE" position.
- 4) Replace the Front Panel in its correct position.
- 5) Turn on the power supply and allow the Water Tank to fill with water and the icemaker to operate for a total of 10 minutes. (See 10 for sequence of operation.)

- 6) Check the water supply and drain connections for water leaks.
- 7) Turn off the power supply, and remove the Front Panel.
- 8) Remove the Insulation Panel. Remove the Cap located on the front bottom part of the Ice Dropping Hole. Drain the Water Tank to flush any loose debris. See Fig. 12.

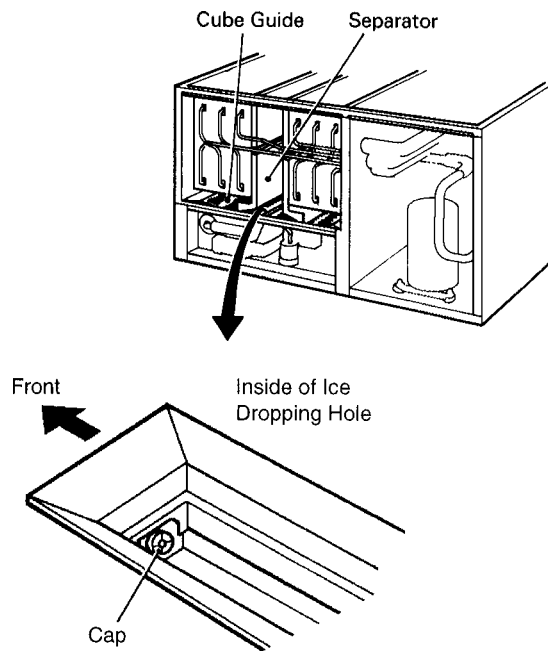


Fig. 12

- 9) Replace the Cap, Insulation Panel and Front Panel in their correct positions.
- 10) Clean the Storage Bin.
- 11) Turn on the power supply, and start the automatic icemaking process.
- 12) Wait until a complete icemaking and defrost cycle is completed.

BIN CONTROL CHECK

- 1) With the Front Panel in place, remove the thumbscrews along the upper edge of the storage bin ice deflector and allow it to pivot on the side fixings.
- 2) Hold some ice against the Bin Control Bulb. The icemaker should stop within 6 to 10 seconds.
- 3) Replace the thumbscrews and close the bin door.
- 4) Check that the icemaker re-starts.

10. OPERATION

The steps in the sequence are as follows:

1) 1 Minute Fill Cycle

The unit always starts in the 1 minute fill cycle. When power is applied to the unit, the water valve is energized and the fill period begins. After 1 minute the board checks for a closed float switch. If the float switch is closed the harvest cycle begins. If not, the unit will not start without adequate water in the sump. This serves a low water safety shut off. The water valve will remain energized through additional 1 minute cycles until water enters the sump and the float switch closes.

2) 1st Harvest Cycle

The compressor starts, hot gas valve opens, water valve remains open and harvest begins. As the evaporator warms, the thermistor located on the suction line checks for a 9°C temperature. When 9°C is reached, the harvest is turned over to the adjustable control board defrost timer which is factory set for normal conditions. This adjustment can vary the defrost timer from 1 to 3 minutes.

3) Freeze Cycle

After the timer terminates the harvest cycle, the hot gas and water valves close, and the ice production cycle starts. For the first 5 minutes the controller board will not accept a signal from the float switch. This 5 minute minimum freeze acts as a short cycle protection. At the end of 5 minutes the float switch assumes control. As ice builds on the evaporator the water level in the sump lowers. The freeze continues until the float switch opens and terminates ice production.

4) Harvest Pump Out

When the float switch opens and signals the completion of the freeze cycle, the harvest cycle begins. The hot gas valve opens and the compressor continues to run. The drain timer starts counting the 10/20 second pump out.

The water pump stops for 2 seconds and reverses, taking water from the bottom of the sump and forcing pressure against the check valve seat allowing water to go through the check valve and down the drain. At the same time water flows through the small tube to power flush the float switch. When the drain timer stops counting, the pump-out is complete.

Pump-out always occurs on the 1st harvest after the initial freeze cycle. The control board allows for adjustment for pump-out to occur every cycle, or every 2nd, 5th or 10th cycle from this point.

5) Normal Harvest Cycle

The water valve opens to allow water to assist the harvest. As the evaporator warms, the thermistor reaches 9°C. The control board receives the thermistor signal and starts the defrost timer. The water valve is open during harvest (defrost) for a maximum of 6 minutes or the length of harvest, whichever is shorter. When the defrost timer completes its count-down, the defrost cycle is complete and the next freeze cycle starts.

The unit continues through 3), 4) and 5) sequence until the bin control senses ice and shuts the unit down.

Note: If the icemaker does not start or complete a cycle of operation, contact your nearest Hoshizaki Distributor for guidance.

6) Has the power supply voltage been checked or tested against the nameplate rating? And has a proper earth ground been installed in the icemaker?

7) Are the Water Supply Line Shut-off Valve and Drain Valve installed? Has the water supply pressure been checked to ensure a minimum of .7 bar and a maximum of 8 bar?

Note: The icemaker may stop running when the water supply is OFF, or if the pressure is below .7 bar. When the proper water pressure is reached, the icemaker automatically starts running again.

8) Have the compressor hold-down bolts and refrigerant lines been checked against vibration and possible failure?

9) Has the Bin Control Switch been checked for correct operation?

10) Has the end user been given the instruction manual, and instructed on how to operate the icemaker and the importance of the recommended periodic maintenance?

11) Has the end user been given the name and telephone number of an authorized service agent?

11. FINAL CHECK LIST

- 1) Is the icemaker level?
- 2) Is the icemaker in a site where the ambient temperature is within +7°C to +40°C all year around?
- 3) Is there at least a 15 cm. clearance around the icemaker for maintenance or service?
- 4) Have all shipping tape(s), packing and cartons been removed from the icemaker? Are the cube guides in their correct position? Are the separators properly attached to their holding clips?
- 5) Have all electrical and piping connections been made?

ACHTUNG

1. Damit das Gerät sicher und korrekt installiert wird, ist zuerst dieses Handbuch sorgfältig durchzulesen, und die darin enthaltenen Anweisungen sind zu befolgen.
2. Im Anschluß an die Installation ist die Eismaschine einzuschalten, um sie auf Unregelmäßigkeiten beim Betrieb zu überprüfen, und der Benutzer ist darin zu unterweisen, wie die Eismaschine entsprechend der Bedienungsanleitung zu benutzen und instandzuhalten ist.
3. Dieses Handbuch ist dem Benutzer nach der Installation zu übergeben und ist vom Benutzer zusammen mit der Bedienungsanleitung aufzubewahren, damit beides bei Bedarf zu Rate gezogen werden kann.

ACHTUNG

Die Installation ist von qualifiziertem Personal entsprechend den aktuellen Bestimmungen und den Anweisungen des Herstellers auszuführen.

1. AUSPACKEN

ACHTUNG

Kindern sollten keinen Zugang zum Verpackungsmaterial (Kunststoffbeutel und Polystyrol) haben, da dieses eine mögliche Gefahrenquelle darstellt.

VORSICHT

Versandkarton, Band und anderes Verpackungsmaterial abnehmen. Wenn Verpackungsmaterial in der Eismaschine gelassen wird, arbeitet diese nicht richtig.

- Anmerkung: 1. Diese Eismaschine benötigt einen Vorratsbehälter. Der empfohlene Vorratsbehälter ist der HOSHIZAKI-EISVORRATSBEHÄLTER, Modell Serie B-800.
2. Modelle mit Fernluftkühlung erfordern die FERNKONDENSATORANLAGE des Typs URC-12F-E von HOSHIZAKI.
- 1) Nach Entfernung des Verpackungsmaterials sollten Sie überprüfen, daß die Eismaschine in gutem Zustand ist. Im Zweifelsfall sollten Sie das Gerät nicht in Gebrauch nehmen, sondern sich an qualifizierte Fachkräfte wenden. Die Hinweise für das Auspacken und die Installation finden sich im Anleitungsblatt, das dem Vorratsbehälter beiliegt.
 - 2) Die Platten abnehmen, um eine Beschädigung während der Installation der Eismaschine zu verhindern. (Siehe "2. ABNAHME DER PLATTEN".)

- 3) Die Packung mit dem Zubehör aus dem Kompressorfach herausnehmen.
- 4) Die Kunststoffschutzfolie von der Maschine abziehen. Wenn die Eismaschine Sonne oder Wärme ausgesetzt ist, ist die Folie erst abzuziehen, nachdem die Eismaschine abgekühlt ist.
- 5) Überprüfen Sie, daß die Kühlmittleitungen nicht gegen andere Leitungen oder Oberflächen reiben oder diese berühren und daß sich der Gebläseflügel frei drehen kann.
- 6) Überprüfen Sie, daß der Kompressor fest auf den Unterlagen sitzt.
- 7) Auf dem Typenschild auf der Rückseite überprüfen, ob Ihre Netzspannung der Spannung entspricht, die auf dem Typenschild angegeben ist.
- 8) Das Band abnehmen, mit dem die Würfelführung für den Versand gesichert wird.

2. ABNAHME DER PLATTEN - Siehe Abbildung 1

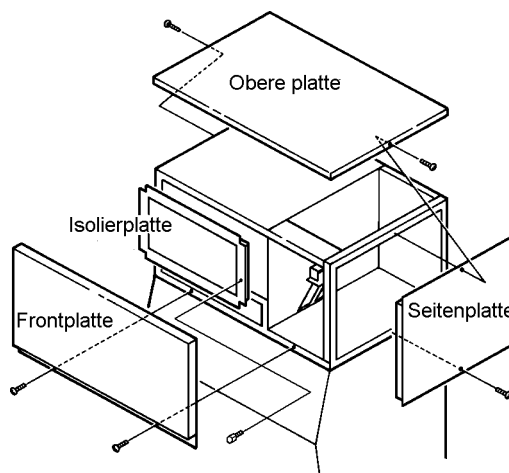


Abb. 1

- a) Frontplatte Die beiden Schrauben entfernen. Anheben und nach vorne abziehen.
- b) Obere Platte Die beiden Schrauben entfernen, dann abnehmen.
- c) Seitenplatte (R) .. Die Schraube entfernen. Etwas nach vorne ziehen und dann abnehmen.
- d) Isolierplatte Die Flügelschraube entfernen. Leicht anheben und nach vorne abziehen.

3. STANDORT

ACHTUNG

1. Diese Eismaschine ist nicht für den Einsatz im Freien gedacht. Die normale Umgebungstemperatur bei Betrieb sollte zwischen +7°C und +40°C liegen. Die normale Wassertemperatur bei Betrieb sollte zwischen +7°C und +35°C liegen. Wenn die Eismaschine für längere Zeit außerhalb dieses normalen Temperaturbereichs betrieben wird, kann die Produktionskapazität beeinträchtigt werden.
2. Die Eismaschine sollte nicht neben Öfen, Grills oder anderen Geräten aufgestellt werden, die hohe Temperaturen erzeugen.
3. Der Standort sollte einen festen und ebenen Untergrund für das Gerät bieten.
4. An Rückseite, Seiten und über der Oberseite sollte ein Freiraum von 15 cm vorhanden sein, damit die Luft gut zirkulieren kann und, falls notwendig, Zugang für Instandhaltung und/oder Wartung gegeben ist.
5. Dieses Gerät eignet sich nicht für die Installation in Bereichen, in denen Strahlwasser verwendet werden könnte oder in denen Tropfwasser nicht zulässig ist.
6. Nichts vor die Lüftungsschlitze stellen.
7. Diese Eismaschine arbeitet nicht bei Temperaturen unter dem Gefrierpunkt. Um eine Beschädigung der Wasserleitung zu verhindern, ist die Eismaschine zu entleeren, wenn die Lufttemperatur unter Null Grad fällt.

4. INSTALLATION

- Die Installation ist von qualifiziertem Personal entsprechend den aktuellen Bestimmungen und den Anweisungen des Herstellers auszuführen.
 - Falsche Installation kann zu Verletzungen von Mensch und Tier, einer Beschädigung der Eismaschine oder anderen Sachschäden führen, für die der Hersteller keine Haftung übernehmen kann.
- 1) Den Vorratsbehälter auspacken und die mitgelieferten vier justierbaren Füße (Behälterzubehör) unten am Vorratsbehälter anbringen.
 - 2) Den Vorratsbehälter am gewählten, permanenten Aufstellungsplatz aufstellen.

3) Die Eismaschine oben auf den Vorratsbehälter stellen und dabei darauf achten, daß die Dichtung oben im Vorratsbehälter nicht beschädigt wird.

4) Zur Befestigung der Eismaschine am Behälter die beiden Universalhalter und Schrauben im Zubehöropaket ausfindig machen. (Siehe Abb. 2)

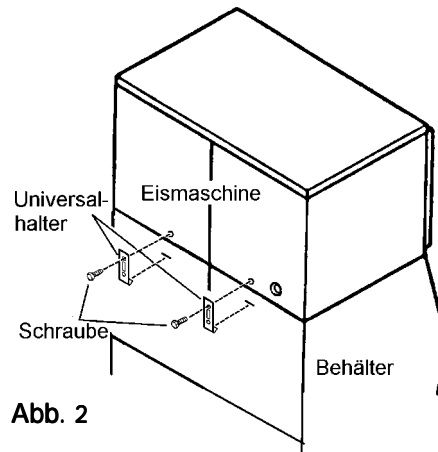


Abb. 2

VORSICHT

Vor der Inbetriebnahme der Eismaschine sicherstellen, daß der Thermostat des Behälters vorschriftsmäßig angebracht ist.

5) Thermostat des Behälters wie folgt installieren. Siehe Bild 3a und 3b.

(a) Das Befestigungsband des Thermostats und des Halters entfernen. Thermostat und Halter anheben und nach rechts bewegen, um sie vom Transporthaken abzunehmen.

(b) Thermostathalter durch die Öffnung unten in der Eismaschine hinablassen.

(c) Stecker in die Aufnahmeöffnung am Halter einführen, bis er einrastet.

(d) Thermostathalter mit den beiden Flügelschrauben sichern.

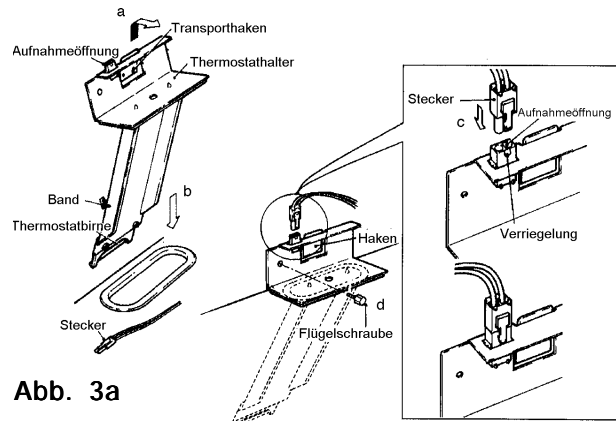


Abb. 3a

- (e) Die Halterverlängerung des Behälterreglers aus der Tüte mit dem Zubehör nehmen.
- (f) Eisrinne vom Behälter abmontieren.
- (g) Die beiden Schrauben, mit denen die Birnenfassung des Thermostats am Ende des Thermostalthalers befestigt ist, abnehmen.
- (h) Mit diesen beiden Schrauben die Halterverlängerung des Behälterreglers am Thermostalthaler befestigen.
- (i) Mit den beiden 4 x 10 Edelstahlschrauben aus der Zubehörtüte die Birnenfassung des Thermostats am Ende der Halterverlängerung des Behälterreglers befestigen.
- (j) Eisrinne wieder an den Behälter anbauen.

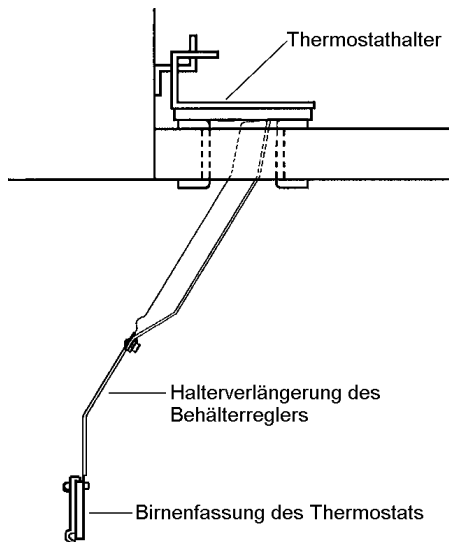


Abb. 3b

- 6) Eismaschine und Vorratsbehälter so aufstellen, daß sie sowohl von rechts nach links gesehen als auch von vorne nach hinten gesehen waagrecht stehen. Dazu die Fußversteller des Behälters mit einem Schraubenschlüssel drehen.
- 7) Die Platten in der richtigen Position wieder montieren.

5. STAPELN VON ZWEI EISMASCHINEN - Siehe Bild 4 & 5

- 1) Anweisungen von Abschnitt 4 "INSTALLATION" an der unteren Einheit durchführen.

- 2) Obere Platte und obere Isolierplatte der unteren Einheit entfernen. Die obere Platte und die obere Isolierplatte der unteren Einheit werden nicht benötigt, wenn eine zweite Eismaschine installiert wird.
- 3) Die zweite Eismaschine (obere Einheit) auspacken und alle Transportverpackungen, Bänder usw. entfernen.
- 4) Die Platten der zweiten Eismaschine abnehmen.
- 5) Obere Einheit oben auf die untere Einheit stellen.
- 6) Dem Zubehörpaket der oberen Einheit zwei Universalhalter und vier Schrauben zur Befestigung der oberen Einheit an der unteren entnehmen.

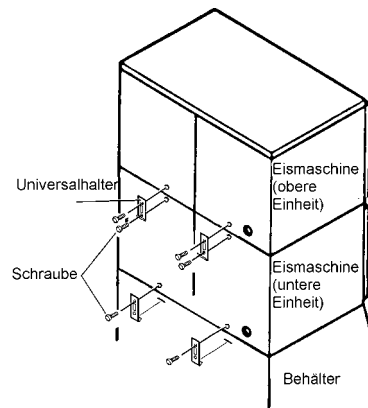


Abb. 4

- 7) Birnenfassung des Thermostats der oberen Einheit vom Thermostalthaler abmontieren.
- 8) Die Kapillarrohre des Behälterthermostats der oberen Einheit durch die untere Öffnung der oberen Einheit in die untere Einheit führen und dann durch die untere Öffnung der unteren Einheit in den Behälter. Die Birne des Thermostats der oberen Einheit mitsamt Fassung an der unteren Einheit befestigen, und zwar mit Hilfe der Schrauben, die zuvor von der oberen Einheit abgenommen worden waren. (Siehe Bild 5).
- 9) Den Stecker der oberen Einheit in die Aufnahmeöffnung der oberen Einheit am Halter stecken, bis er einrastet.
- 10) Thermostalthaler mit den beiden Flügelschrauben sichern.
- 11) Platten der beiden Eismaschinen wieder anbringen.

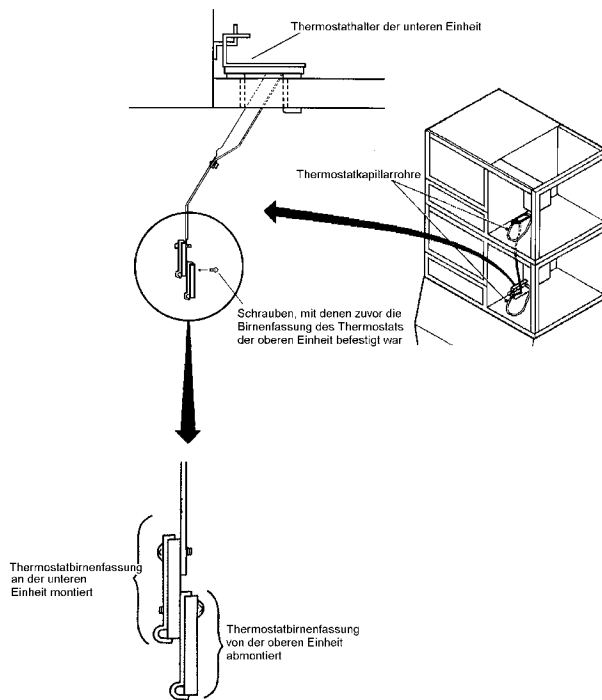


Abb. 5

6. STROMANSCHLUSS

ACHTUNG DIESES GERÄT MUSS GEERDET WERDEN.

Diese Eismaschine muß entsprechend den Elektroinstallationsvorschriften von Bund, Ländern und Gemeinden geerdet sein. Um einen starken Stromschlag oder beträchtlichen Sachschaden zu verhindern, ist die Eismaschine mit einem korrekten Erdungsleiter zu installieren. Den Netzstecker aus der Steckdose ziehen, ehe Wartungs-, Reparatur- oder Reinigungsarbeiten ausgeführt werden.

- Diese Eismaschine muß an ein separates Netzteil oder einen Stromanschluß mit der richtigen Bemessung angeschlossen werden. Vgl. Typenschild. Diese Eismaschine sollte als einziges Gerät an den Stromkreis angeschlossen sein.
- Gestapelte Eismaschinen sollten jeweils einen eigenen Stecker haben, müssen jedoch parallel an ein und dasselbe Einphasennetz mit ausreichender Stromstärke angeschlossen sein.
- Die Öffnung für den Stromanschluß hat einen Durchmesser von 22,2mm und paßt somit in normale Leitungsrohre.

- Wenn die Eismaschine über ein Stromkabel mit Elektrizität versorgt werden soll, anstatt des permanenten (Leitungsrohr-)Anschlusses, so ist an der 22,2-mm-großen Anschlußstelle eine Stopfbüchse anzubringen. Diese Stopfbüchse muß für das zu installierende Stromkabel groß genug sein. Die Leiter des verwendeten Stromkabels müssen der Leistungsaufnahme der Eismaschine entsprechend stark genug sein.

Da sich die Farben der Leiter im Netzkabel dieses Geräts von den Farbmarkierungen an den Anschlüssen in Ihrem Stecker unterscheiden können, ist wie folgt vorzugehen:

Der grün/gelbe Leiter muß an den Anschluß im Stecker angeschlossen werden, der mit dem Buchstaben E oder dem Symbol \perp oder Grün/Gelb markiert ist. Der blaue Leiter muß an den Anschluß angeschlossen werden, der mit dem Buchstaben N oder Schwarz markiert ist. Der braune Leiter muß an den Anschluß angeschlossen werden, der mit dem Buchstaben L oder Rot markiert ist.

- Für den Stromanschluß des Fernkondensators URC-12F-E an die Gebläsemotoranschlußdose der KM-1300SRH-E wird eine Leitung des Typs IPX4 empfohlen. Wenn ein Stromkabel verwendet muß dieses für den Einsatz im Freien zugelassen sein und eine Stopfbüchse, ebenfalls vom Typ IPX4, verwendet werden, wo das Kabel in den Fernkondensator der Baureihe URC-12F-E eintritt.
- Normalerweise sind für die Ausführung der Arbeiten eine elektrische Genehmigung und ein fachkundiger, qualifizierter Elektriker notwendig.

7. INSTALLIERUNG DES FERNKONDENSATORS (Nur bei fernluftgekühlten Modellen)

[a] AUSPACKEN

- 1) Versandpappe, Bänder und Verpackung entfernen.
- 2) Sichergehen, daß die Kühlmittleitungen keine anderen Leitungen oder Flächen berühren und daß sich die Gebläseflügel unbehindert drehen können.

[b] AUFSTELLUNG

Der Kondensator ist für den Einsatz im Freien gedacht und unter Beachtung der folgenden Richtlinien an einem endgültigen, gut belüfteten Ort aufzustellen:

- Einen festen und ebenen Aufstellungsort wählen.
- Das Gerät sollte keinen extremen oder widrigen Wetterverhältnissen ausgesetzt sein.
- Vorzugsweise ein trockener und gut belüfteter Ort mit einem Freiraum von 60 cm vor und hinter dem Gerät, so daß es bei Bedarf leichter zu warten und instandzuhalten ist.
- Normale Umgebungstemperatur für Kondensatoren: -28°C bis $+50^{\circ}\text{C}$. Temperaturen außerhalb dieses Bereichs können die Leistungsfähigkeit der Eismaschine beeinträchtigen.
- Standardkühlmittelleitungen sollten maximal 20 Meter lang sein.
- Die absolut höchstzulässige Leitungslänge beträgt 30 Meter, und diese erfordert zusätzliche Kühlmittelmengen. Bitte ziehen Sie Ihre zuständige Hoshizaki-Vertretung zu Rate. (Eine Liste Vertretungen befindet sich in der Bedienungsanleitung).
- Der Kondensator sollte nicht mehr als 10 Meter über und nicht mehr als 3 Meter unter der Eismaschine installiert werden, von Armatur zu Armatur gemessen.

Hinweis: Eine Überschreitung der empfohlenen Richtlinien kann eine Leistungsbeeinträchtigung der Eismaschine zur Folge haben.

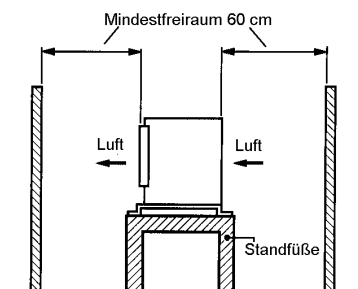


Abb. 6

[c] INSTALLATION

- 1) Die Füße mit acht Schrauben des Typs M8 x 16 mm am Kondensator befestigen. Sechskantschrauben und M8-Muttern, wie in der Abbildung dargestellt. Siehe Bild 7.

Anmerkung: Füße symmetrisch anordnen.

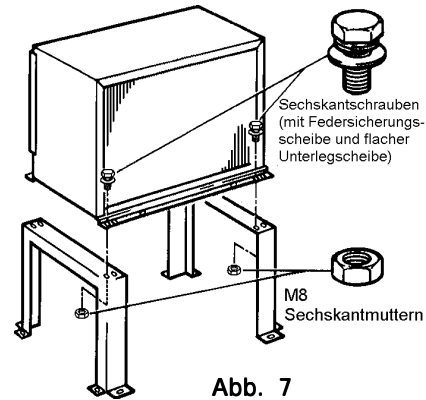


Abb. 7

- 2) Zur Sicherung des Kondensators auf der Aufstellungsfläche sind acht Befestigungslöcher vorgesehen (Bolzen nicht mitgeliefert).
- 3) Zwei Kupferrohre angemessener Länge zwischen der Eismaschine und dem Kondensator installieren. Vorgefüllte Rohre sind mit Aeroquip-Kupplungen ausgerüstet. Bei der Leitungsverlegung wo möglich Schleifen und Spiralen vermeiden, damit sich kein Öl anstauen kann und keine Quetschungen entstehen. Beide Rohre grundsätzlich getrennt isolieren. Siehe Bild 8.

HOSHIZAKI EUROPE liefert auf Wunsch einen „OS-QUICK“-Werkzeugsatz zum Anschluß Leitungen, die von Dritten angefertigt wurden.

Wir empfehlen vorgefüllte Rohre vom Typ R-404A, die auf Wunsch ebenfalls von HOSHIZAKI EUROPE als Extrazubehör geliefert werden.

- 4) Von Dritten angefertigte Leitungen sind auf Leckage zu prüfen und zu evakuieren, bevor sie durch die Ladeöffnungen der Aeroquip-Kupplungen an die Eismaschine und den Kondensator angeschlossen und bei einem Druck von 15-30 PSIG (1-2 Bar) mit R-404A-Kühldampf beaufschlagt werden.

Merke: Im Werk gefertigte Rohre sind bereits gefüllt und brauchen daher nicht evakuiert zu werden.

- 5) Die Schutzkappen der Kupplungen abnehmen. Gewinde der Kupplungen und O-Ringe mit sauberem Kälteöl eines mit R-404A kompatiblen Typs schmieren.
- 6) Kupplungen wie unten angegeben bis zum Anschlag und dann noch eine weitere Vierteldrehung an Eismaschine und Kondensator anschließen und sichern, so daß ein guter Messing-Messing-Kontakt entsteht.

Kühlmittelabflußleitung der Eismaschine:
Rohr eines Außendurchmessers von 1/2 Inch zu „DIS“ am Kondensator.
Flüssigkühlmittelleitung der Eismaschine:
Rohr eines Außendurchmessers von 3/8 Inch zu „LIQ“ am Kondensator.

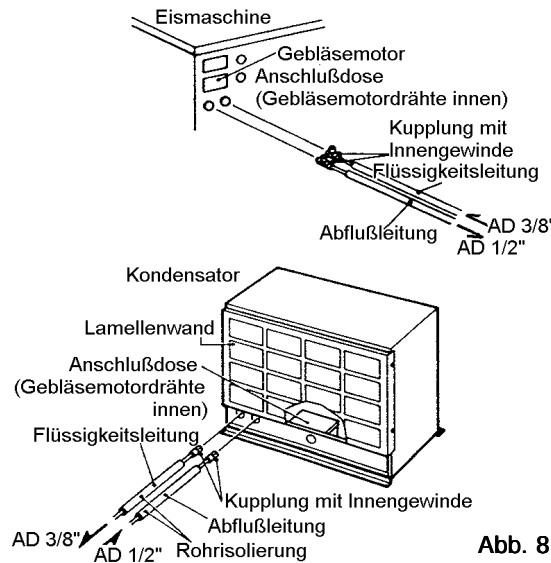
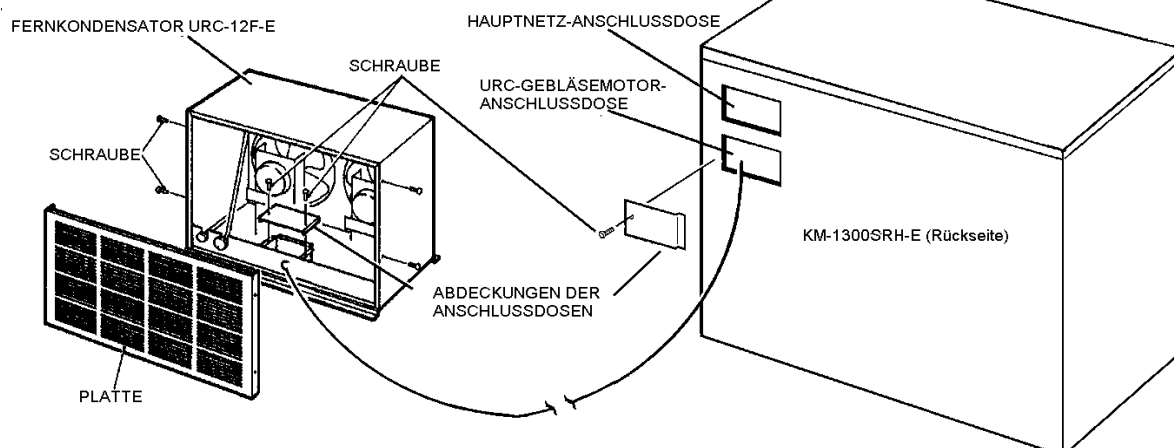


Abb. 8

Hinweis: Vor dem Anschließen sichergehen, daß Anlage, Leitungen und Kondensator das gleiche Kühlmittel enthalten. Bei einer Mischung verschiedener Kühlmittel funktioniert das System nicht richtig, unter Umständen wird sogar das Kühlsystem beschädigt. Anschlüsse zuerst am Fernkondensator vornehmen, dann an der Eismaschine.



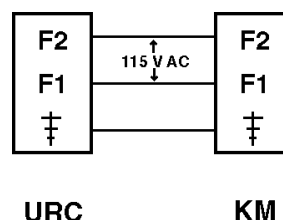
7) Kupplungsverbindungen sorgfältig auf Leckage prüfen.

[d] STROMANSCHLUSS

ACHTUNG

DIESES GERÄT MUSS GEERDET WERDEN
Dieser Fernkondensator ist unter Einhaltung der nationalen und vor Ort geltenden Vorschriften zur elektrischen Sicherheit zu erden. Zur Vermeidung starker Stromschläge oder schwerer Schäden an der Anlage eine zweckdienliche Erdleitung an die Eismaschine anschließen. Vor jeglichen Wartungsarbeiten, Reparaturen oder Reinigungsarbeiten grundsätzlich die Anlage abschalten und vom Netz trennen.

- Dieser Kondensator ist an die Anschlußdose des Gebläsemotors an der Eismaschine anzuschließen.
- Die Öffnung für den Stromkabelanschluß hat einen dem Leitungsrohr angemessenen Durchmesser von 22,2mm.
- Wenn der Anschluß des URC-12F-E an die Gebläsemotoranschlußdose der KM-1300SRH-E mit Hilfe eines Stromkabels erfolgen soll, anstatt der angebauten Leitung, so ist dafür ein für den Einsatz im Freien geeignetes Stromkabel zu verwenden. Wo das Stromkabel in den URC-12F-E eintritt, ist eine zugelassene Stopfbüchse vom Typ IPX4 anzubringen.



- Empfohlene Leitergröße 0,75mm².
 - In der Regel ist eine Genehmigung für Elektroanlagen erforderlich, außerdem ist ein anerkannter Elektriker hinzuziehen.
- 1) Die vier Schrauben und die Platte vom Fernkondensator abmontieren.
 - 2) Die zwei Schrauben und die Abdeckung der Anschlußdose vom Fernkondensator abmontieren.
 - 3) Die Schraube und die Abdeckung der URC-Gebläsemotoranschlußdose von der Eismaschine abmontieren.
 - 4) Die Leitungsdrähte des Gebläsemotors in der Anschlußdose des Fernkondensators an die Leitungsdrähte des Gebläsemotors in der Anschlußdose der fernluftgekühlten HOSHIZAKI-Eismaschine anschließen. Die Gebläsemotoren des URC-12F-E arbeiten mit 115-V-Wechselstrom. Den URC-12F-E daher nicht an das 230-V-WS-Hauptnetz anschließen.
 - 5) Von der Eismaschine zum Fernkondensator eine Erdleitung installieren.
 - 6) Platte und Abdeckung der Anschlußdose in ihrer ursprünglichen Position wieder anbringen.

[e] STAPELN VON KONDENSATOREN

- 1) Unteren Kondensator mit acht Schrauben an den Füßen befestigen.
- 2) Obere Platte des unteren Kondensators abnehmen.
- 3) Den oberen Kondensator auf den unteren stellen.
- 4) Den oberen Kondensator mit den Schrauben aus der oberen Platte des unteren Kondensators sichern.
- 5) Kühlmittleitungen installieren und elektrische Anschlüsse für die einzelnen Gebläsemotoren vornehmen, wie unter [c] und [d] dargestellt.

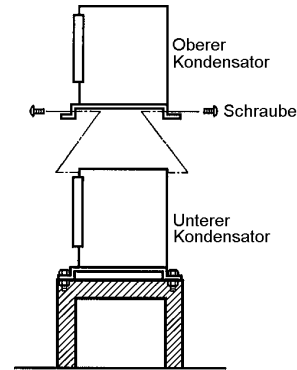


Abb. 10

8. WASSER- UND ABWASSER-ANSCHLÜSSE - Vgl. Abb. 11

WARNUNG

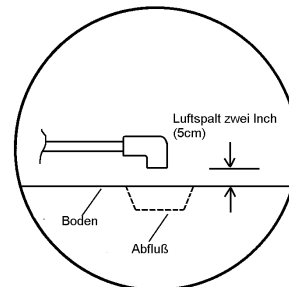
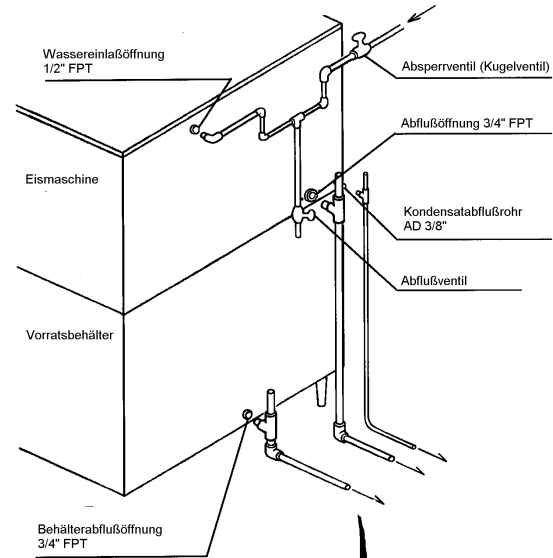
Damit die Pumpe nicht beschädigt wird, darf die Eismaschine nicht betrieben werden, wenn das Wasser ABGESTELLT ist oder wenn der Druck unter 0,7 bar abfällt. Die Eismaschine erst wieder einschalten, wenn der korrekte Wasserdruck vorhanden ist.

- Für diese Eismaschine darf nur Trinkwasser verwendet werden.
- Die Maschine ist nur von einer qualifizierten Person an das Wasser anzuschließen.
- Der Wasseranschluß hat ein Rohringengewinde 1/2".
- In der Wasserleitung sollten ein Absperr- und ein Abfließventil installiert werden. Für das Absperrventil wird ein Kugelhahn empfohlen. Wenn ein anderes Ventil als ein Kugelhahn verwendet wird, sollte dessen Mindestöffnung nicht kleiner als der Innendurchmesser der Wasserleitung sein, da dies sonst zu einem verringerten Durchfluß führen kann, was wiederum zu einer schlechten Entfrostung und/oder Zufrieren führen kann. Für die Wasserleitung wird eine Kupferleitung mit einem Außendurchmesser von mindestens 13 mm empfohlen.
- Der Wasserdruck sollte mindestens 0,7 bar und maximal 8 bar betragen. Wenn der Druck 8 bar überschreitet, ist ein Druckreduzierventil zu verwenden. Den Druck NICHT durch Zudrehen des Anschlußhahns verringern.
- Der Abflußanschluß für die Eismaschine und den Vorratsbehälter hat ein Rohringengewinde 3/4". Der Kondensatablauf ist eine Leitung mit 10 mm Innendurchmesser. Der Abfluß der Eismaschine

und der Kondensatorabflußanschluß müssen separat vom Behälterablauf angeschlossen werden. Der Wasserbehälterablauf ist zu entlüften, damit während des Ausgabezyklus ein ausreichender Durchfluß erreicht wird. (Vgl. Abb. 11).

- KEINE Lötverbindungen verwenden, da die internen Anschlüsse von Eismaschine/Behälter durch Wärme beschädigt werden können.
- Die Abflüsse müssen ein Gefälle von 2 cm pro 30 cm Länge aufweisen, damit ein guter Durchfluß erzielt wird.
- Die Abflüsse sind nicht direkt an das Abwassersystem anzuschließen. Zwischen dem Ende der Abflußleitung der Eismaschine oder des Eisbehälters und dem Bodenablauf sollte ein vertikaler Mindestabstand von 5 cm vorhanden sein. (Vgl. Abb. 11).
- Die Eismaschine ist entsprechend den geltenden Vorschriften von Bund, Ländern und Gemeinden zu installieren.
- In einigen Gebieten kann ein Rückflußverhinderer im Kühlwasserkreislauf erforderlich sein.

KM-1300SAH-E KM-1300SRH-E



Getrennte Rohrleitungen zu genehmigtem Abfluß.
Zwischen Rohrende und Abfluß jeweils einen vertikalen Luftspalt von 5cm (zwei Inch) lassen.

Abb. 11

II. EINSCHALTEN

ACHTUNG

1. Diese Eismaschine ist für die Herstellung von eßbarem Eis konstruiert. Die Eismaschine ist wie folgt in einem hygienisch einwandfreien Zustand zu halten.

- Die Hände waschen, ehe Eis herausgenommen wird.
- Die mitgelieferte Kunststoffschaufel (Zubehör) verwenden.
- Der Vorratsbehälter ist nur für das Eis zu verwenden. Im Vorratsbehälter darf nichts anderes als Eis aufbewahrt werden.
- Die Schaufel sauber halten. Sie ist mit einem neutralen Reinigungsmittel zu waschen und gründlich abzuspülen.
- Die Tür nach der Entnahme von Eis wieder schließen, damit kein Schmutz, Staub oder Insekten in den Vorratsbehälter gelangen können.

2. Bei der Verwendung von elektrischen Geräten sind einige grundlegende Regeln zu beachten. Und zwar insbesondere:

- Bei hoher Luftfeuchtigkeit und Nässe erhöht sich das Risiko eines Kurzschlusses und die Möglichkeit von Stromschlägen. Die Eismaschine im Zweifelsfall vom Netz trennen.
- Die Eismaschine nicht verwenden, wenn Sie barfuß sind.
- Nicht am Stromkabel ziehen, um die Eismaschine vom Netz zu trennen.
- Dieses Gerät eignet sich nicht für die Verwendung durch unbeaufsichtigte kleine Kinder oder alte oder gebrechliche Personen.

3. Alle Teile werden werkseitig eingestellt. Eine falsche Einstellung kann zum Versagen des Geräts führen.

4. Wenn das Gerät ausgeschaltet wird, warten Sie mindestens 3 Minuten, ehe die Eismaschine wieder eingeschaltet wird, um eine Beschädigung des Kompressors zu vermeiden.

5. Das Gerät nicht in Stellung "WASCHEN" betreiben, wenn kein Wasser im Wassertank vorhanden ist. Sonst wird die Dichtung der Wasserpumpe beschädigt.

1) Das Absperrventil in der Wasserleitung öffnen,

2) Die Vorderplatte abnehmen.

3) Den Regelschalter im Schaltkasten auf Stellung EIS stellen.

4) Die Vorderplatte wieder korrekt einsetzen.

5) Den Strom einschalten und warten, bis sich der Wassertank mit Wasser gefüllt hat und die Eismaschine insgesamt 10 Minuten gearbeitet hat. (Siehe Abschnitt 8) zum Arbeitszyklus.)

6) Anschlüsse an die Wasserversorgung und die Abflüsse auf Leckage prüfen.

7) Strom ausschalten und Frontplatte entfernen.

8) Isolierplatte entfernen. Von der Eisauswurföffnung unten vorne die Kappe abnehmen. Wasserbehälter entleeren und losen Schmutz ausspülen. Siehe Bild 12.

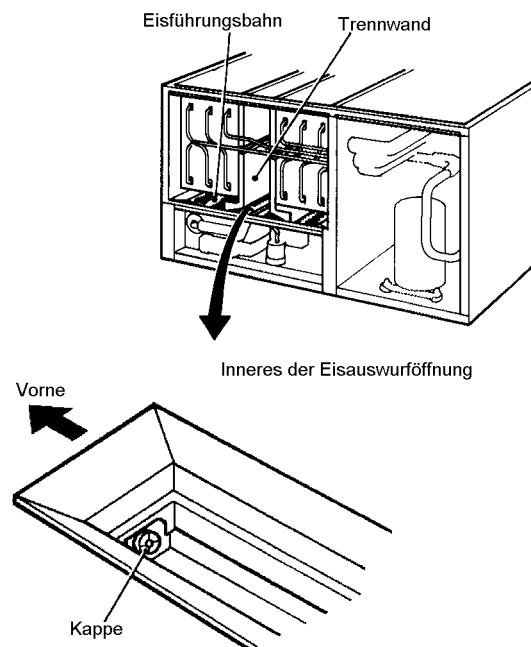


Abb. 12

9) Kappe wieder anbringen. Isolierplatte und vordere Platte wieder richtig montieren.

10) Vorratsbehälter säubern.

11) Strom einschalten und die automatische Eisherstellung aufnehmen

12) Warten, bis ein vollständiger Eisherstellungs- und Abtauzyklus durchlaufen ist.

PRÜFUNG DER BEHÄLTERFÜLLSTANDSREGELUNG

- 1) Wenn die Vorderplatte eingesetzt ist, die Flügelschrauben an der Oberkante der Eisablenkung am Vorratsbehälter abnehmen. Diese dreht sich jetzt an der seitlichen Befestigung.
- 2) Etwas Eis gegen den Behälterfüllstandsfühler halten. Die Eismaschine sollte sich innerhalb von 6 bis 10 Sekunden ausschalten.
- 3) Die Flügelschrauben wieder einsetzen, und die Behältertür schließen.
- 4) Überprüfen, daß sich die Eismaschine wieder einschaltet.

10. BETRIEB

Die Schritte für Einschalten/Betrieb sind wie folgt:

1) Füllzyklus von 1 Minute

Das Gerät beginnt immer mit dem 1-minütigen Füllzyklus. Wenn der Strom zum Gerät eingeschaltet wird, wird das Wasserventil eingeschaltet und das Füllen beginnt. Nach 1 Minute überprüft die Schaltung, ob der Schwimmerschalter geschlossen ist. Wenn der Schwimmerschalter geschlossen ist, beginnt der Ausgabezyklus. Wenn er nicht geschlossen ist, startet das Gerät nicht, da nicht genügend Wasser im Wasserbehälter ist. Dies stellt die Sicherheitsabschaltung bei niedrigem Wasserstand dar. Das Wasserventil bleibt für weitere 1-Minuten-Zyklen eingeschaltet, bis genügend Wasser im Wasserbehälter ist und sich der Schwimmerschalter schließt.

2) 1. Ausgabezyklus

Der Kompressor wird eingeschaltet, das Heißgasventil öffnet sich, das Wasserventil bleibt geöffnet und die Ausgabe beginnt. Der Verdampfer erwärmt sich, und der Thermistor an der Ansaugleitung prüft, ob die Temperatur 9°C ist. Wenn 9°C erreicht wird, wird die Ausgabe an den einstellbaren Abtauzeitschalter übergeben, der werkseitig für normale Arbeitsbedingungen eingestellt ist. Der Abtauzeitschalter kann zwischen 1 und 3 Minuten eingestellt werden.

3) Gefrierzyklus

Nachdem der Zeitschalter den Ausgabezyklus beendet hat, schließen sich die Heißgas- und Wasserventile und der Eisherstellungszyklus

beginnt. Während der ersten 5 Minuten akzeptiert die Regelung kein Signal vom Schwimmerschalter. Diese Mindestgefrierzeit von 5 Minuten stellt den Schutz gegen einen zu kurzen Zyklus dar. Nach 5 Minuten übernimmt der Schwimmerschalter die Regelung. Während sich am Verdampfer Eis ablagert, sinkt der Wasserspiegel im Wasserbehälter. Der Gefrier-vorgang läuft weiter, bis sich der Schwimmerschalter öffnet und die Eisherstellung beendet.

4) Auspumpen für die Eisausgabe

Wenn sich der Schwimmerschalter öffnet und damit das Ende des Gefrierzyklus signalisiert, beginnt der Ausgabezyklus. Das Heißgasventil öffnet sich, und der Kompressor läuft weiter. Der Entleerungszeitschalter steuert das Auspumpen von 10/20 Sekunden Dauer.

Die Wasserpumpe stoppt 2 Sekunden lang und pumpt dann in umgekehrter Richtung, wobei Wasser dem Wasserbehälter unten entnommen und gegen den Sitz des Sperrventils gedrückt wird, so daß das Wasser durch das Sperrventil in den Abfluß fließen kann. Gleichzeitig fließt das Wasser durch ein kleines Röhrchen, um den Schwimmerschalter unter Druck zu spülen. Wenn der Entleerungszeitschalter abgelaufen ist, ist das Auspumpen beendet.

Auspumpen findet immer während des 1. Ausgabezyklus nach dem ersten Gefrierzyklus statt. Über die Regelung kann das Auspumpen so eingestellt werden, daß es anschließend nach jedem Zyklus oder nach jedem 2., 5. oder 10. Zyklus stattfindet.

5) Normaler Ausgabezyklus

Das Wasserventil öffnet sich, damit das Wasser die Ausgabe unterstützen kann. Der Verdampfer erwärmt sich, und der Thermistor erreicht 9°C. Die Regelung erhält das Thermistorsignal und startet den Abtauzeitschalter. Das Wasserventil ist während der Ausgabe (Abtauen) maximal 6 Minuten lang oder für die Dauer der Ausgabe geöffnet, je nachdem, was kürzer ist. Wenn der Abtauzeitschalter abgelaufen ist, ist der Abtauzyklus beendet und der nächste Gefrierzyklus beginnt.

Das Gerät durchläuft Schritte 3), 4) und 5), bis der Behälterfüllstandsfühler Eis feststellt und das Gerät abschaltet.

11. CHECKLISTE FÜR DIE ENDÜBERPRÜFUNG

- 1) Steht die Eismaschine horizontal?
- 2) Steht die Eismaschine an einer Stelle, an der die Umgebungstemperatur das ganze Jahr über zwischen +7°C und +40°C liegt?
- 3) Ist um die Eismaschine herum ein Freiraum von mindestens 15 cm für Wartung oder Instandhaltung vorhanden?
- 4) Sind alle Versandbänder, Verpackungsmaterial und Kartons von der Eismaschine abgenommen worden? Befinden sich die Würfelgehäuse an der richtigen Stelle?
- 5) Sind alle elektrischen und anderen Leitungen angeschlossen worden?
- 6) Ist überprüft worden, daß die Netzspannung den Angaben auf dem Typenschild entspricht?
- 7) Sind Absperrventil und Ablaufventil in der Wasserleitung installiert worden? Ist der Wasserdruck überprüft worden und liegt er zwischen 0,7 bar und maximal 8 bar?

Anmerkung: Die Eismaschine kann den Betrieb einstellen, wenn das Wasser ABGESTELLT wird oder wenn der Druck unter 0,7 bar fällt. Wenn der korrekte Wasserdruck wiederhergestellt wird, nimmt die Eismaschine den Betrieb automatisch wieder auf.

- 8) Sind die Befestigungsschrauben des Kompressors und die Kühlmittelleitungen auf Schwingungen und mögliches Versagen hin überprüft worden?
- 9) Ist der korrekte Betrieb des Behälterfüllstandsschalters überprüft worden?
- 10) Ist dem Endbenutzer die Bedienungsanleitung übergeben worden, und ist er darin unterwiesen worden, wie die Eismaschine zu bedienen ist. Ist er über die Wichtigkeit der empfohlenen regelmäßigen Instandhaltungsarbeiten informiert worden?
- 11) Ist dem Endbenutzer Name und Telefonnummer einer autorisierten Kundendienstfirma übergeben worden?

IMPORTANTE

1. Para llevar a cabo una instalación segura y correcta del producto, lea este libro cuidadosamente de antemano y siga las instrucciones contenidas en él.
2. Al finalizar la instalación, ponga en marcha el productor de hielo para comprobar irregularidades y facilite instrucciones al usuario sobre la forma de uso y mantenimiento del productor de acuerdo con el manual de instrucciones.
3. Este libro debe entregarse al usuario después de la instalación y el usuario debe guardarlo con el manual de instrucciones para las consultas posteriores que puedan ser necesarias.

ADVERTENCIA

Sólo deberá realizar la instalación el personal capacitado, de conformidad con las normativas en vigor, y siguiendo las instrucciones del fabricante.

1. DESEMBALADO

ADVERTENCIA

Mantener a los niños alejados de los componentes de embalaje (bolsas de plástico y poliestireno estirado) ya que pueden ser posibles fuentes de peligro.

PRECAUCION

Retirar el cartón de embalaje, cinta(s) y empaquetado, si los materiales de embalaje se dejan dentro del productor, no funcionará correctamente.

- Nota: 1. Este productor de hielo necesita un recipiente de almacenamiento. Se recomienda el RECIPIENTE DE ALMACENAMIENTO HOSHIZAKI, serie B-800.
2. El modelo de aire acondicionado remoto necesita la UNIDAD REMOTA DE CONDENSACIÓN HOSHIZAKI, Modelo URC-12F-E.

- 1) Tras retirar el embalaje, asegúrese de que el productor de hielo se encuentra en buenas condiciones. En caso de duda, no utilice el equipo y acuda al personal profesional cualificado. Para su desembalaje y directrices de instalación, consulte la hoja de instrucciones adjunta sobre el recipiente de almacenamiento.
- 2) Retire los paneles para evitar daños cuando instale el productor de hielo. (Consulte "2. CÓMO RETIRAR LOS PANELES").

- 3) Retire del compartimento del compresor el embalaje que contiene los accesorios.
- 4) Retire la película de plástico de protección de los paneles. Si el productor se expone al sol o a una fuente de calor, retire la película después de que el productor de hielo se haya enfriado.
- 5) Compruebe que las conducciones del refrigerante no rozan o tocan otras tuberías o superficies y que las paletas del ventilador giran libremente.
- 6) Compruebe que el compresor no tiene holgura sobre todos los cojinetes de montaje.
- 7) Compruebe la placa de características del panel trasero y asegúrese de que el voltaje que usted va a suministrar a la máquina coincide con el voltaje que se especifica en la placa.
- 8) Retire las cintas de envío que sujetan la guía de los cubitos.

2. CÓMO RETIRAR LOS PANELES

- Vea la figura 1

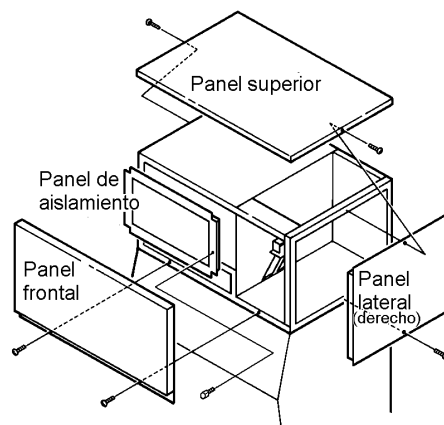


Fig. 1

- a) Panel frontal ----- Retire los dos tornillos. Levante y estire hacia usted.
- b) Panel superior ----- Retire los dos tornillos y levántelo para extraerlo.
- c) Panel lateral (derecho) Retire el tornillo. Estire ligeramente hacia usted y extráigalo.
- d) Panel de aislamiento -- Retire el tornillo de apriete manual. Levántelo ligeramente y estire hacia usted.

3. UBICACIÓN

IMPORTANTE

1. Este productor de hielo no está diseñado para su uso en exteriores. La temperatura ambiente normal de funcionamiento debe estar entre +7 °C y +40 °C. La temperatura normal de funcionamiento del agua debe ser entre +7 °C y +35 °C. El funcionamiento del productor durante prolongados periodos de tiempo fuera de estas condiciones normales de temperatura puede afectar la capacidad de producción.
2. El productor de hielo no se debe situar cerca de hornos, parrillas u otros equipos de producción de calor.
3. La ubicación debe proporcionar una base firme y nivelada para el equipo.
4. Deje 15 cm de separación por las partes trasera, laterales y superior para obtener una circulación de aire apropiada y para facilitar los trabajos de mantenimiento y servicio cuando sean necesarios.
5. Este aparato no es apropiado para su instalación en áreas donde se puedan utilizar chorros de agua o donde no esté autorizado que existan goteos.
6. No coloque nada delante de la persiana de ventilación.
7. Este productor de hielo no trabajará a temperaturas por debajo del punto de congelación. Para evitar daños en las conducciones del suministro de agua, vacíe el productor cuando la temperatura del aire esté bajo cero.

4. INSTALACIÓN

- La instalación la debe realizar personal cualificado siguiendo los reglamentos en vigor y de acuerdo con las instrucciones del fabricante.
 - Una instalación incorrecta puede ocasionar daños a personas y animales, al propio productor de hielo o a las instalaciones donde se haya ubicado, de los cuales no podrá ser considerado responsable el fabricante.
- 1) Desembale el recipiente de almacenamiento y acople las cuatro patas regulables que se facilitan (accesorio del recipiente) en la base del recipiente.
 - 2) Coloque el productor de hielo en la posición definitiva elegida.

- 3) Coloque el productor sobre la parte superior del recipiente de almacenamiento prestando atención de no dañar la junta de sellado de la parte superior del recipiente.
- 4) Del paquete de accesorios, localice las dos abrazaderas universales y los tornillos para sujetar el dispensador al recipiente (ver figura 2).

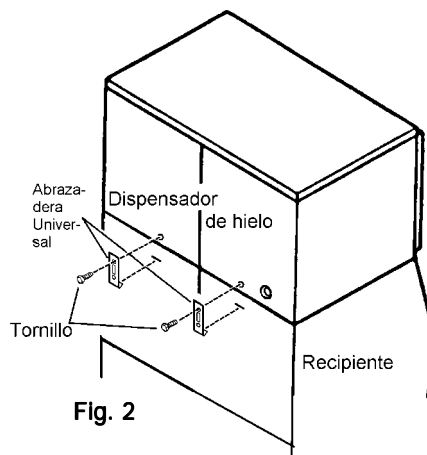


Fig. 2

PRECAUCIÓN

Antes de poner en funcionamiento el dispensador, se debe instalar correctamente el termostato de control del recipiente.

- 5) Instale el termostato de control del recipiente como se indica a continuación. Vea las figuras 3a y 3b.
 - (a) Retire el pie que sujeta el termostato y la abrazadera. Retire el termostato y la abrazadera del gancho de envío levantándolos y girándolos hacia la derecha.
 - (b) Descienda la abrazadera del termostato a través del orificio ubicado en la base del dispensador.
 - (c) Inserte el enchufe en el receptáculo de la abrazadera hasta que se bloquee en su sitio.
 - (d) Sujete la abrazadera del termostato en su sitio con los dos tornillos de apriete manual.

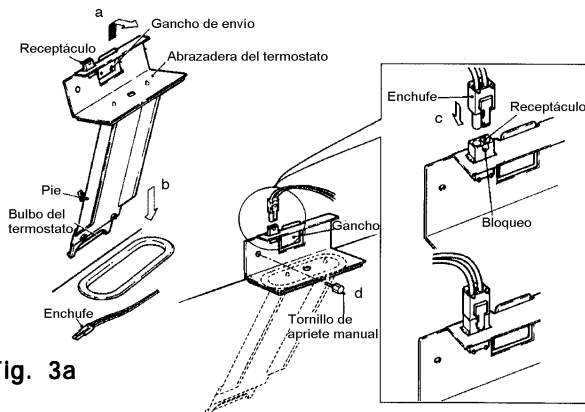


Fig. 3a

- (e) Saque del paquete de accesorios el prolongador de la abrazadera del control del recipiente.
- (f) Retire el deflector de hielo del recipiente.
- (g) Retire los dos tornillos que sujetan el accesorio del bulbo del termostato al extremo de la abrazadera del termostato.
- (h) Utilice estos dos tornillos para unir el prolongador de la abrazadera del control del recipiente a la abrazadera del termostato.
- (i) Utilice dos tornillos de acero inoxidable de 4x10 de la bolsa para unir el accesorio del bulbo del termostato al extremo del prolongador de la abrazadera del control del recipiente.
- (j) Vuelva a instalar el deflector de hielo en el recipiente.

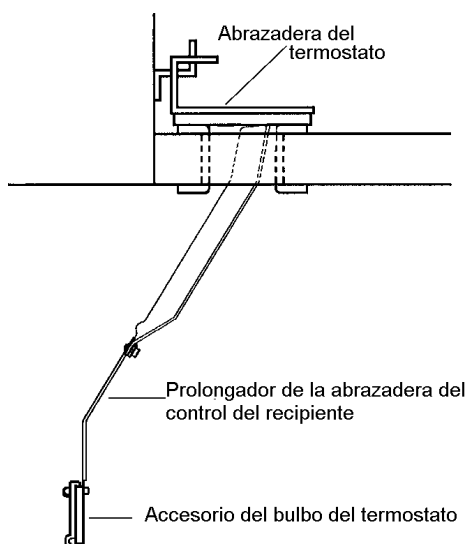


Fig. 3b

- 6) Nivele el dispensador/recipiente de almacenamiento en ambas direcciones (derecha-izquierda y delante-detrás) girando los reguladores de las patas del recipiente con una llave.
- 7) Vuelva a colocar los paneles en su posición correcta.

5. APILAMIENTO DE DOS DISPENSADORES DE HIELO

Ver figuras 4 y 5

- 1) Complete la sección 4 "INSTALACIÓN" para la unidad inferior.

- 2) Retire el panel superior y el aislamiento superior de la unidad inferior. Estos dos paneles de la unidad inferior no son necesarios cuando se instala un segundo dispensador.
- 3) Desembale el segundo dispensador (unidad superior) y retire todos los cartones del embalaje, cintas y bolsas.
- 4) Retire los paneles del segundo dispensador.
- 5) Apile la unidad superior encima de la unidad inferior.
- 6) Del paquete de accesorios de la unidad superior, localice las dos abrazaderas universales y los cuatro tornillos para sujetar la unidad superior a la inferior.

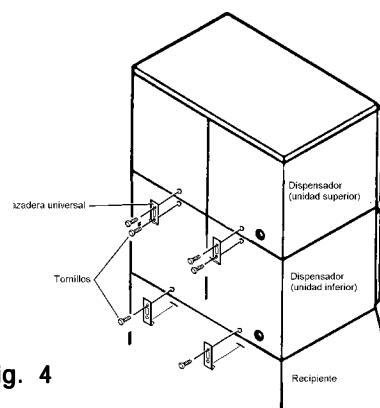


Fig. 4

- 7) Retire el accesorio del bulbo del termostato de la unidad superior de la abrazadera del termostato.
- 8) Dirija el conducto capilar del termostato de control del recipiente de la unidad superior a través del orificio de la base de la unidad superior y al interior de la unidad inferior y, posteriormente, a través del orificio de la base de la unidad inferior hacia el recipiente. Sujete el bulbo del termostato de la unidad superior, junto con su accesorio, al de la unidad inferior con los tornillos anteriormente retirados de la unidad superior (ver figura 5).
- 9) Inserte el enchufe de la unidad superior en el receptáculo de la unidad superior sobre la abrazadera hasta que se bloquee en su sitio.
- 10) Sujete la abrazadera del termostato en su posición utilizando los dos tornillos de apriete manual.
- 11) Coloque los paneles de las dos máquinas otra vez en su posición.

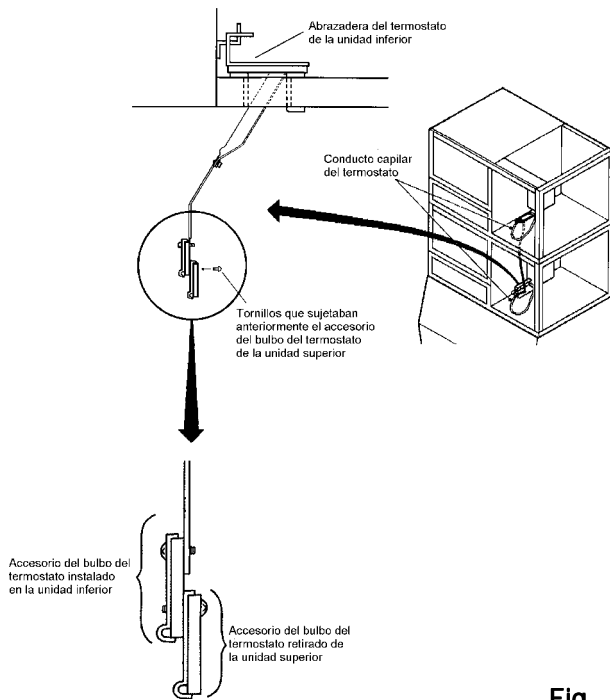


Fig. 5

6. CONEXIÓN ELÉCTRICA

ADVERTENCIA
ESTE APARATO SE DEBE CONECTAR A TIERRA

Este productor de hielo necesita una conexión a tierra que cumpla con las normativas del código de electricidad nacional y local. Para evitar la posible descarga eléctrica severa a personas, o gran daño al equipo, instalar un cable a tierra adecuado en el productor de hielo. Retirar el enchufe de la corriente antes de realizar cualquier mantenimiento, reparación o limpieza.

- Este productor de hielo debe disponer de una toma independiente de energía eléctrica o una caja de contacto individual de la capacidad apropiada. Lea la placa de características. En ella se recomienda que este productor sea el único aparato eléctrico de ese circuito de acometida.
- Cada dispensador apilado debe contar con su propio receptáculo, pero deben estar conectados en paralelo al mismo suministro o circuito monofásico con suficiente amperaje.
- La apertura para la conexión del suministro de corriente tiene un diámetro de 22,2 mm para acoplar una tubería portacables.
- Si se utiliza un cable de potencia para suministrar corriente al dispensador en lugar de la conexión

permanente (tubería portacables), se debe instalar un casquillo (prensaestopas) en la conexión de corriente de 22,2 mm. Este casquillo debe ser de la medida apropiada para el cable de potencia que se va a instalar. El tamaño de los conductores de este cable debe ser apropiado para el consumo eléctrico del dispensador.

Debido a que los colores del cable en el cordón de corriente de este aparato puede que no correspondan con las marcas de colores que identifican las bornas en su enchufe, proceda como sigue:

El cable de color Verde y Amarillo se debe conectar a la borna en el enchufe marcado con la letra E o con el símbolo \perp o de color verde o verde y amarillo. El cable de color azul se deberá conectar a la borna marcada con la letra N o de color negro. El cable de color marrón se debe conectar a la borna marcada con la letra L o de color rojo.

- Para la conexión eléctrica de la unidad remota de condensación URC-12F-E a la conexión del motor del ventilador del KM-1300SRH-E se recomienda utilizar una tubería portacables IPX4. Si se utiliza un cable de suministro de corriente, el cable debe estar aprobado para su uso en exteriores y se debe utilizar un casquillo IPX4 en el punto en que el cable entra en el condensador remoto modelo URC-12F-E.

- Normalmente se recurre al permiso eléctrico y servicios de un electricista autorizado.

7. INSTALACIÓN DE LA UNIDAD REMOTA DE CONDENSACIÓN (sólo modelo refrigerado por aire remoto)

[a] DESEMBALAJE

- 1) Desembale y retire los cartones de envío, las cintas y las bolsas.
- 2) Compruebe que los conductos del refrigerante no se rozan ni tocan tuberías u otras superficies y que las palas del ventilador giran libremente.

[b] UBICACIÓN

La unidad de condensación está diseñada para su uso en exteriores y debe ser colocada en un emplazamiento permanente bien ventilado y siguiendo las directrices que a continuación se detallan:

- Seleccione un emplazamiento firme y nivelado.
- No debe quedar expuesto a condiciones climatológicas rigurosas o adversas.

- Es preferible una zona seca y bien ventilada que disponga de una separación de 60 cm por delante y por detrás para facilitar el mantenimiento y las reparaciones que puedan ser necesarias.
- La temperatura ambiente normal del condensador es de +28° a +50°C. Temperaturas fuera de estos límites puede afectar la capacidad de producción del dispensador de hielo.
- La longitud máxima de la tubería para la carga de refrigerante estándar es 20 metros.
- La longitud máxima absoluta de la tubería es 30 metros y necesitará una carga adicional de refrigerante. Para obtener asesoramiento, póngase en contacto con la delegación Hoshizaki relacionada en el manual de instrucciones.
- El condensador no se debe instalar más de 10 metros por encima de la altura del dispensador o más de 3 metros por debajo de él, medido de conexión a conexión.

Nota: Si se superan las directrices de instalación recomendadas, el funcionamiento del dispensador puede verse afectado.

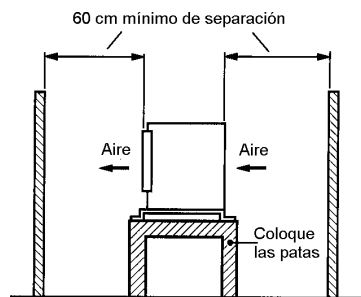


Fig. 6

[c] INSTALACIÓN

- 1) Sujete las patas a la unidad de condensación con los tornillos hexagonales M8 x 16 y las tuercas M8 como se muestra en la ilustración. Ver figura 7.

Nota: Coloque las patas simétricamente.

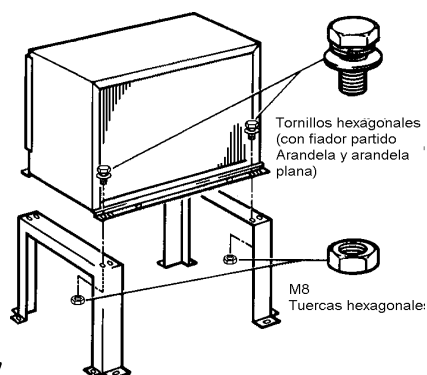
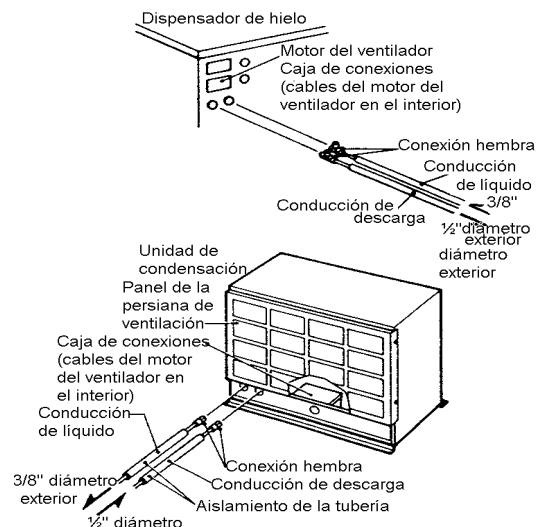


Fig. 7

- 2) Para sujetar el condensador a la superficie de emplazamiento se han dispuesto ocho orificios de montaje (no se suministran los tornillos).
 - 3) Instale una longitud suficiente de las dos tuberías de cobre entre el dispensador y la unidad de condensación. Los tubos precargados disponen de conexiones Aeroquip. Evite bucles o enrollamientos excesivos para que no se formen en las tuberías sifones de aceite o codos. Los dos tubos deben mantenerse siempre aislados por separado (ver figura 8).
- HOSHIZAKI EUROPE dispone de juegos de conexiones "OS-QUICK" para tuberías fabricadas in situ.
 - Se recomiendan los juegos de tuberías precargadas R-404A, disponibles como equipo opcional también en HOSHIZAKI EUROPE.
- 4) Los juegos de tuberías fabricados in situ deben inspeccionarse para detectar pérdidas y se deben vaciar antes de realizar la conexión al dispensador/condensador por medio de los puertos de carga de las conexiones Aeroquip. Se deben cargar con vapor refrigerante R-404A a una presión de 15-30 PSIG (1-2 bar).

Nota: Los juegos de tuberías de fábrica están precargados y no es necesario vaciarlos.

- 5) Retire los tapones de plástico que protegen las conexiones. Lubrique las roscas de conexión y las juntas tóricas con un aceite refrigerante limpio de un tipo que sea apropiado para R404A.
- 6) Acople y apriete las conexiones en el dispensador y en el condensador como se indica a continuación hasta que toquen fondo y aplique después una vuelta adicional de ¼ para asegurar un buen contacto latón-latón.



Conducción del refrigerante de descarga del dispensador:

Tubería de 1/2" de diámetro exterior para unidad de condensación "DIS"

Conducción del líquido refrigerante del dispensador:

Tubería de 3/8" de diámetro exterior para unidad de condensación "LIQ".

Nota: Antes de realizar las conexiones debe asegurarse de que la unidad, el juego de tuberías y el condensador tengan el mismo tipo de refrigerante. Una mezcla de refrigerantes provocará un mal funcionamiento y posibles daños en el sistema de refrigeración. Realice en primer lugar las conexiones en el condensador remoto y después en el dispensador.

7) Compruebe detenidamente la existencia de posibles pérdidas en las juntas de las conexiones.

[d] CONEXIÓN ELÉCTRICA

PRECAUCIÓN

ESTE APARATO DEBE ESTAR CONECTADO A TIERRA

Esta unidad remota de condensación necesita una conexión a tierra que cumpla los requisitos de los códigos eléctricos nacional y local. Para evitar posibles descargas eléctricas graves a las personas o daños en el equipo, instale en el dispensador una conexión a tierra adecuada. Desconecte el suministro de corriente antes de realizar cualquier trabajo de mantenimiento, reparación o limpieza.

- Esta unidad de condensación debe estar conectada a la caja de conexiones del motor del ventilador del dispensador de hielo.
- La apertura para la conexión del suministro de corriente es de 22,2 mm para acoplar una tubería portacables.
- Si se utiliza un cable de potencia en lugar de una tubería portacables para conectar el URC-12F-E a la caja de conexiones del motor del ventilador del KM-1300SRH-E, el cable debe estar aprobado para su uso en exteriores. En la entrada del URC-12F-E se debe utilizar un casquillo IPX4 certificado en el punto en que el cable entra en el URC-12F-E.
- La medida recomendada del conductor es 0,75 mm²
- Generalmente son necesarios el permiso eléctrico y los servicios de un electricista autorizado.

- 1) Retire los cuatro tornillos y el panel del condensador remoto.
- 2) Retire los dos tornillos y la tapa de la caja de conexiones del condensador remoto.
- 3) Retire el tornillo y la tapa de la caja de conexiones del motor del ventilador URC del dispensador de hielo.

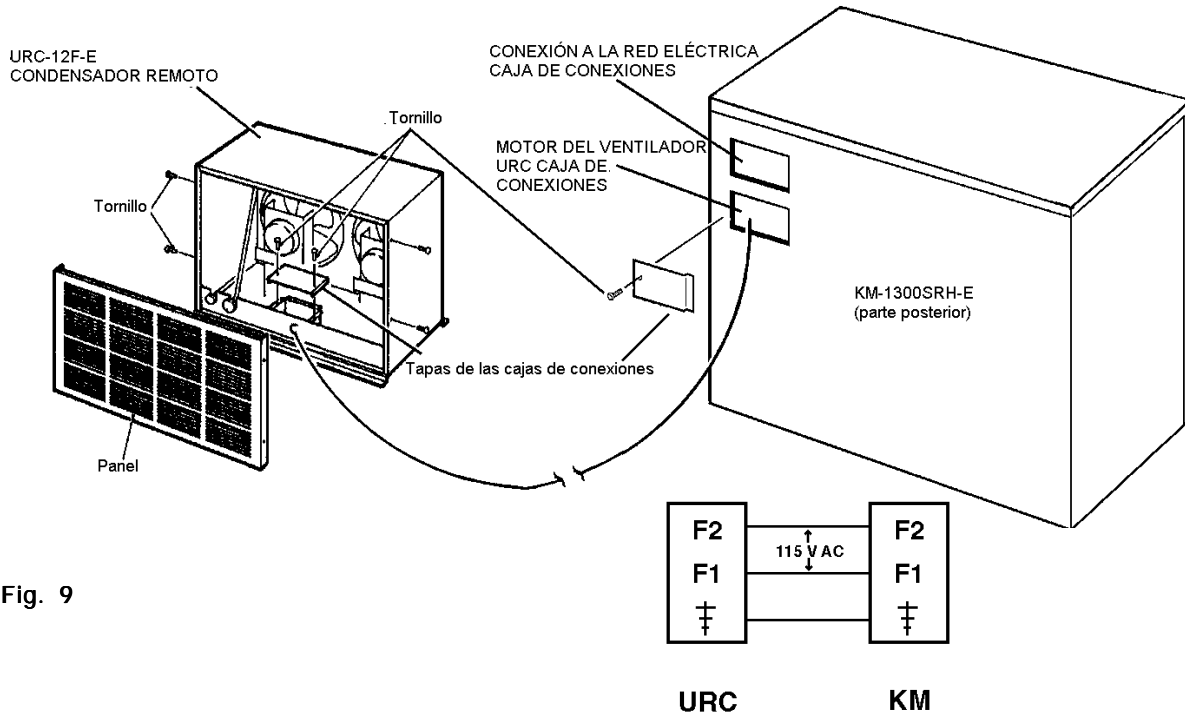


Fig. 9

- 4) Conecte los cables del motor del ventilador de la caja de conexiones de la unidad remota de condensación a los cables del motor del ventilador de la caja de conexiones del dispensador refrigerado por aire remoto HOSHIZAKI. Los motores del ventilador en el URC-F12-E funcionan con 115 V AC. No conecte el URC-12F-E a un suministro de corriente de 230 V AC.
- 5) Instale un cable de toma de tierra desde el dispensador de hielo a la unidad remota de condensación.
- 6) Vuelva a colocar el panel y la tapa de la caja de conexiones en sus posiciones originales.

[e] APILAMIENTO DE LA UNIDAD DE CONDENSACIÓN

- 1) Sujete el condensador inferior a las patas con los ocho tornillos.
- 2) Retire el panel superior del condensador inferior.
- 3) Coloque la unidad superior de condensación sobre la unidad inferior.
- 4) Sujete la unidad superior con los cuatro tornillos del panel superior del condensador inferior.
- 5) Instale las tuberías del refrigerante y realice las conexiones eléctricas para cada motor de ventilador como se muestra en los puntos [c] y [d].

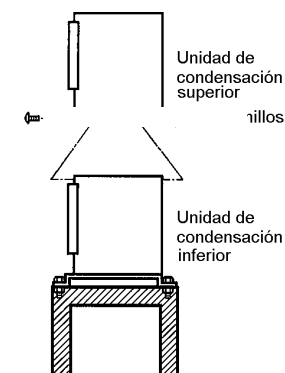


Fig. 10

8. CONEXIONES DE SUMINISTRO DE AGUA Y DESAGÜE- Vea la figura 11

ADVERTENCIA

Para evitar daños al conjunto de la bomba, no ponga en funcionamiento el productor de hielo cuando el suministro de agua esté APAGADO o si la presión cae por debajo de 0,7 bar. No ponga en funcionamiento el productor hasta alcanzar la presión de agua apropiada.

- Para el suministro al productor sólo se debe utilizar agua potable.
- La conexión al suministro de agua la debe realizar personal profesional cualificado.
- La entrada del suministro de agua es de rosca de tubo hembra ½" (FTP).
- En la tubería de suministro de agua se debe instalar una válvula de corte y una válvula de desagüe. Para la válvula de corte se recomienda una válvula de bola. Otros tipos de válvula que se instalen no deben tener una abertura mínima que sea inferior al diámetro interior de la tubería de suministro de agua, pues ello provocaría una reducción en el volumen del flujo de agua que conduciría a un mal funcionamiento de los procesos de descongelación y congelación. Para las tuberías de suministro de agua se recomiendan tubos de cobre de 13 mm de diámetro exterior.
- La presión del suministro de agua debe ser, como mínimo, de 0,7 bar, y como máximo, de 8. Si la presión superara 8 bar, es necesario utilizar una válvula reductora de presión. NO cierre el grifo de suministro.
- La salida de desagüe del vaciadero del productor y del recipiente de almacenamiento es ¾" FTP. El desagüe para la condensación es una tubería de 10 mm de diámetro interior. Las conexiones de las conducciones de desagüe del productor de hielo y del condensador se deben realizar por separado del desagüe del recipiente. Se debe soplar el desagüe del sumidero para asegurar un volumen adecuado de flujo durante el ciclo de recogida de producto (vea la figura 11).

- NO utilice acopladores del tipo de soldadura, pues la aplicación de calor al productor o al recipiente puede provocar daños en las conexiones internas.
- Para obtener un buen flujo, el sistema de desagüe debe tener una caída de 2 cm por cada 30 cm de carrera horizontal.
- Los desagües no deben estar conectados directamente al sistema de alcantarillado. Entre el extremo de la tubería de desagüe del productor o el depósito de hielo y el desagüe del suelo debe existir una separación libre mínima de 5 cm verticales (vea la figura 11).
- Este productor de hielo se debe instalar de acuerdo con los reglamentos nacionales, provinciales y locales que sean de aplicación.
- En determinadas zonas puede ser necesario un limitador de contraflujo en el circuito del agua de refrigeración.

KM-1300SAH-E KM-1300SRH-E

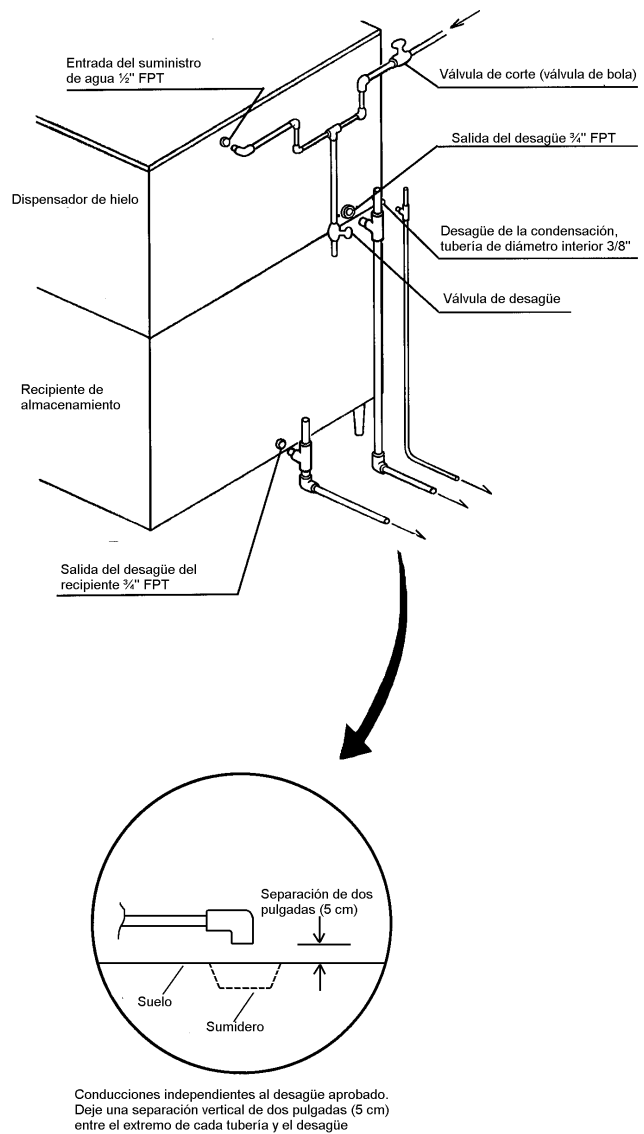


Fig. 11

9. ARRANQUE INICIAL

ADVERTENCIA

1. Este productor de hielo está diseñado para fabricar hielo comestible. Para mantener el productor en condiciones higiénicas:
 - Lávese las manos antes de retirar el hielo
 - Utilice los colectores de plástico facilitados (accesorio)
 - El recipiente de almacenamiento es sólo para hielo. No almacene ninguna otra cosa
 - Mantenga limpio el colector. Límpielo utilizando un limpiador neutro y aclárelo bien.
 - Cierre la puerta después de retirar el hielo para evitar la entrada de suciedad, polvo o insectos en el recipiente de almacenamiento.
2. El uso de cualquier equipo eléctrico implica la observación de algunas normas básicas. En particular:
 - Ambientes de gran humedad aumentan el riesgo de cortocircuitos y de descargas eléctricas. En caso de duda, desconecte el productor de hielo.
 - No estire del cable de potencia para desenchufar el productor de la red de alimentación.
 - No utilice el productor con los pies desnudos.
 - Este aparato no es apropiado para que lo utilicen sin supervisión jóvenes, niños, personas de edad o enfermas.
3. Todas las piezas han sido ajustadas en fábrica. Ajustes incorrectos pueden provocar fallos de la máquina.
4. Si se desconecta la unidad, espere 3 minutos, como mínimo, antes de volver a poner en marcha el productor de hielo; de esta forma evitará daños en el compresor.
5. No ponga en funcionamiento la unidad en la posición "LAVADO" sin que haya agua en el depósito de agua. Ello provocaría daños en el sello de la bomba de agua.

- 4) Vuelva a colocar el panel frontal en su posición correcta.
- 5) Conecte el suministro de corriente y deje que se llene el depósito de agua y que el productor funcione durante un periodo de 10 minutos (Vea 8 para Secuencia de Operación).
- 6) Revise las fugas de agua en la acometida de agua y conexiones de desagüe.
- 7) Desconecte el suministro de corriente y retire el panel frontal.
- 8) Retire el panel de aislamiento. Retire el tapón situado en la parte inferior delantera del orificio descargador de cubos. Vacíe el depósito de agua para limpiar la basura suelta. Ver Fig. 12.

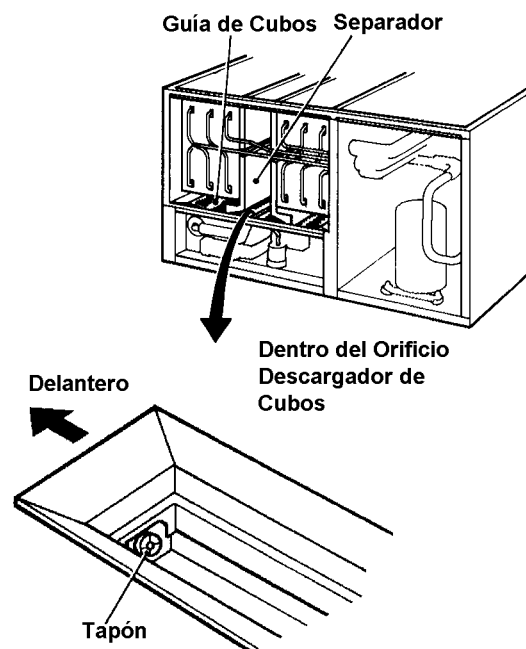


Fig. 12

- 1) Abra la válvula de corte de la tubería de suministro de agua.
- 2) Retire el panel frontal.
- 3) Ponga el interruptor de control (caja de control) en posición "HIELO".
- 4) Reponga el tapón, panel de aislamiento y panel delantero en sus posiciones correctas.
- 5) Limpie el recipiente de almacenamiento.
- 6) Conecte el suministro de corriente y ponga en marcha el proceso automático de fabricación de hielo.
- 7) Espere hasta que finalice un ciclo completo de producción de hielo y descongelación.

COMPROBACIÓN DEL CONTROL DEL RECIPIENTE DE ALMACENAMIENTO

- 1) Con el panel frontal colocado en su sitio, retire los tornillos de apriete manual del borde superior del deflector de hielo del recipiente de almacenamiento y deje que pivote sobre los acoples laterales.
- 2) Mantenga un poco de hielo contra el bulbo de control del recipiente. El productor debe detenerse en un periodo de 6 a 10 segundos.
- 3) Vuelva a colocar los tornillos de apriete manual y cierre la puerta del recipiente de almacenamiento.
- 4) Compruebe que el productor de hielo se pone en marcha de nuevo.

10. OPERACIÓN

Los pasos en la secuencia de puesta en marcha/operación son los siguientes:

- 1) Ciclo de llenado de 1 minuto

La unidad comienza siempre con el ciclo de llenado de 1 minuto. Cuando se conecta corriente eléctrica a la unidad, la válvula del agua se activa y empieza el periodo de llenado. Tras 1 minuto, el tablero comprueba que el interruptor de flotador está cerrado. Si el interruptor de flotador está cerrado, empieza el ciclo de recogida de producto (hielo). En caso contrario, la unidad no se pondrá en marcha hasta que exista un volumen adecuado de agua en el sumidero. Esto sirve como corte de seguridad para bajos niveles de agua. La válvula del agua se mantendrá activada durante ciclos adicionales de 1 minuto hasta que entre suficiente agua en el sumidero y el interruptor de flotador se cierre.

- 2) 1º ciclo de recogida de producto

El compresor se pone en marcha, la válvula de gas caliente se abre, la válvula del agua permanece abierta y comienza la recogida de producto. A medida que se calienta el evaporador, el termistor ubicado en la tubería de succión comprueba que hay una temperatura de 9 °C. Cuando se alcanza esta temperatura, el proceso de recogida de producto pasa al temporizador ajustable de descongelación del tablero de control, el cual ha sido ajustado en fábrica para las condiciones normales. Este ajuste permite realizar variaciones en el temporizador de descongelación de 1 a 3 minutos.

- 3) Ciclo de congelación

Después de que termine el ciclo de recogida de producto, las válvulas de gas caliente y del agua se cierran y comienza el ciclo de producción de hielo. Durante los primeros 5 minutos, el tablero de control no aceptará señales del interruptor de flotador. Esta congelación mínima de 5 minutos actúa como protección contra cortocircuitos. Al finalizar los 5 minutos, el interruptor de flotador asume el control. A medida que aumenta el hielo en el evaporador, el nivel de agua en el sumidero desciende. La congelación continua hasta que se abre el interruptor de flotador y finaliza la producción de hielo.

- 4) Bombeo del producto recogido

Cuando se abre el interruptor de flotador y señala la finalización del ciclo de congelación, empieza el ciclo de recogida de producto. La válvula del gas caliente se abre y el compresor sigue funcionando. El temporizador del desagüe empieza a contar el bombeo de 10/20 segundos.

La bomba de agua se detiene durante 2 segundos y se invierte, tomando agua de la parte inferior del sumidero y forzando la presión contra el sello de la válvula de comprobación, permitiendo que el agua pase a través de la válvula de comprobación y baje al desagüe. Al mismo tiempo, el agua fluye a través de la tubería pequeña para inundar el interruptor de flotador. Cuando el temporizador detiene el conteo, el bombeo ha finalizado.

El bombeo siempre se produce en la primera recogida de producto después del ciclo inicial de congelación. El tablero de control permite realizar un ajuste para que el bombeo se produzca en cada ciclo, o cada 2°, 5° o 10° ciclo a partir de este punto.

- 5) Ciclo normal de recogida de producto

La válvula de agua se abre para permitir que el agua contribuya a la recogida del producto. A medida que se calienta el evaporador, el termistor alcanza 9 °C. El tablero de control recibe la señal del termistor y pone en marcha el temporizador de descongelación. La válvula de agua se abre durante la recogida (descongelación) por un tiempo máximo de 6 minutos o mientras dure la recogida de producto, lo que antes finalice. Cuando el temporizador de descongelación finaliza su cuenta atrás, el ciclo de descongelación ha terminado y comienza el siguiente ciclo de congelación.

La unidad continua las secuencias 3), 4) y 5) hasta que el control del recipiente detecta hielo y desconecta la unidad.

Nota: Si el productor de hielo no inicia o finaliza un ciclo de funcionamiento, póngase en contacto con su distribuidor Hoshizaki más cercano para que le facilite orientación.

11. LISTA FINAL DE COMPROBACIÓN

- 1) ¿El productor está nivelado?
- 2) ¿El productor está en un emplazamiento donde la temperatura ambiente se encuentre entre +7 °C y +40 °C durante todo el año?
- 3) ¿Existe como mínimo una separación de 15 cm alrededor del productor para facilitar su mantenimiento o servicio?
- 4) ¿Han sido retiradas del productor todas las cintas de envío, embalajes y cartones? ¿Se encuentran en su posición correcta las guías de los cubitos?
- 5) ¿Se han realizado todas las conexiones eléctricas y de tuberías?
- 6) ¿Se ha comprobado el voltaje del suministro de corriente con las indicaciones de la placa de características?
- 7) ¿Se han instalado las válvulas de corte en las tuberías de suministro de agua y de desagüe? ¿Se ha comprobado la presión del suministro de agua para asegurarse de que existe una presión mínima de 0,7 bar y máxima de 8 bar?

Nota: El productor de hielo puede detenerse cuando el suministro de agua está DESCONECTADO, o si la presión cae por debajo de 0,7 bar. Cuando se alcanza la presión adecuada de agua, el productor se pone de nuevo en funcionamiento de forma automática.

- 8) ¿El compresor tiene apretados los pernos y se han comprobado las tuberías del refrigerante para detectar vibraciones y posibles fallos?
- 9) ¿Se ha comprobado que funciona correctamente el interruptor de control del recipiente?
- 10) ¿El usuario final ha recibido el manual de instrucciones y ha sido instruido en la forma de operar el productor y la importancia del mantenimiento periódico recomendado?
- 11) ¿Se le ha dado al usuario final el nombre y número de teléfono del representante autorizado del servicio técnico?

IMPORTANT

1. Pour effectuer l'installation du produit comme il convient, et en toute sécurité, veuillez lire attentivement la présente notice et suivre les instructions qu'elle contient.
2. Après installation, mettre le distributeur en marche pour dépister tout défaut de fonctionnement éventuel, et indiquer à l'utilisateur la façon de se servir et d'entretenir son appareil conformément à la notice d'instructions.
3. La présente notice doit être remise à l'utilisateur après installation et celui-ci la conservera avec la notice d'instructions pour toute consultation ultérieure éventuelle.

AVERTISSEMENT

L'installation doit être effectuée par du personnel qualifié, en respectant les réglementations en vigueur et en suivant les consignes du fabricant.

1. DEBALLAGE

AVERTISSEMENT

Les enfants doivent être tenus à l'écart de tous les éléments d'emballage (sacs en plastique et polystyrène expansé) car ils sont potentiellement dangereux.

ATTENTION

Enlevez le carton d'emballage, le(s) ruban(s) et les matériaux d'emballage. S'il reste des matériaux d'emballage dans le distributeur, enlevez-les pour ne pas entraver son fonctionnement.

- N.B. :
1. Ce distributeur de cubelets nécessite un bac de stockage. Le bac de stockage recommandé est le bac HOSHIZAKI, Modèle B série 800.
 2. Le modèle à refroidissement à distance par air doit comprendre le BLOC CONDENSEUR A DISTANCE HOSHIZAKI., modèle URC-12F-E.

- 1) Après avoir déposé l'emballage, assurez-vous que l'appareil soit en bon état. En cas de doute, ne pas utiliser l'équipement mais s'adresser directement au personnel professionnellement qualifié. Voir la fiche d'instructions fixée au bac de stockage concernant les directives de déballage et d'installation.
- 2) Déposer les panneaux pour éviter de les endommager au moment de l'installation du

distributeur. (Voir «2. LE DEMONTAGE DES PANNEAUX.»)

- 3) Enlever les paquets contenant les accessoires du compartiment compresseur.
- 4) Retirer le film plastique protecteur des panneaux. Si le distributeur a été exposé au soleil ou à la chaleur, ne retirer le film qu'après refroidissement de l'appareil.
- 5) Vérifier que les conduites de réfrigérant ne se touchent pas ni ne touchent d'autres surfaces, et que les pales du ventilateur tournent librement.
- 6) Vérifier que le compresseur repose bien sur toutes ses cales anti-vibrations.
- 7) Voir la plaque du constructeur sur le panneau arrière, et vérifier que la tension secteur correspond bien à la tension spécifiée sur la plaque.
- 8) Retirer les bandes adhésives d'expédition qui fixent le guide des cubes.

2 LE DEMONTAGE DES PANNEAUX - Voir Figure 1

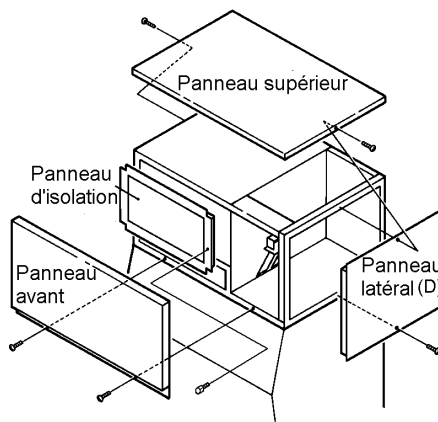


Fig. 1

- a) Panneau avant Déposer les deux vis, soulever et tirer vers soi.
- b) Panneau supérieur Déposer les deux vis, puis soulever.
- c) Panneau latéral (D) Déposer la vis. Tirer légèrement vers soi, puis enlever.
- d) Panneau d'isolation Déposer la vis moletée. Soulever légèrement et tirer vers soi.

3. EMBLACEMENT

IMPORTANT

1. Ce distributeur n'est pas prévu pour être utilisé à l'extérieur. La température ambiante normale de son fonctionnement doit être comprise entre + 7° C et + 40° C. La température normale de l'eau de service doit être comprise entre + 7° C et + 35° C. Si le distributeur fonctionne pendant des périodes prolongées, en dehors de ces températures normales, cela peut influencer sa capacité de production.
2. Le distributeur ne doit pas être positionné à côté de fours, grills ou autres équipements produisant de la chaleur.
3. Il doit être positionné sur un sol ferme et de niveau.
4. Il faut laisser un dégagement de 15 cm à l'arrière, sur les côtés et sur le dessus pour une bonne circulation de l'air et pour faciliter les opérations de maintenance et/ou de réparation éventuellement nécessaires.
5. Cet appareil ne doit pas être installé dans un endroit où un jet d'eau pourrait être utilisé, car il n'est pas étanche à l'arrosage.
6. Ne rien placer devant la grille.
7. Cet appareil ne fonctionne pas aux températures inférieures à zéro. Pour éviter d'endommager la conduite d'alimentation d'eau, vidangez le distributeur quand la température de l'air est inférieure à zéro.

4. INSTALLATION

- L'installation doit être effectuée par du personnel qualifié, conformément aux réglementations actuelles, et aux instructions du fabricant.
 - Une mauvaise installation peut être la cause d'accidents pour les personnes, les animaux et peut endommager l'appareil ou le lieu de son installation. Dans ce cas, le fabricant ne peut être tenu responsable.
- 1) Déballez le bac de stockage et fixez les quatre pieds réglables fournis (accessoires) en bas du bac de stockage.
 - 2) Positionner le réservoir dans la position permanente choisie.
 - 3) Placer le distributeur sur le haut du bac de stockage en faisant attention de ne pas endommager le joint d'étanchéité de ce réservoir.

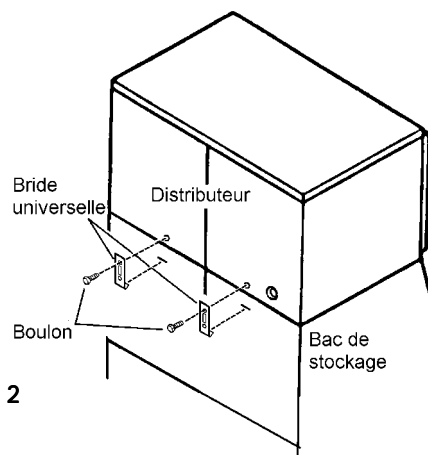


Fig. 2

- 4) Dans le kit d'accessoires, prenez les deux brides universelles et leurs boulons pour fixer le distributeur sur le bac. (Voir Fig. 2).

ATTENTION

Avant de faire fonctionner le distributeur, installez correctement le thermostat de contrôle du bac.

- 5) Installez le thermostat de contrôle du bac comme suit. (Voir Fig. 3a & 3b).
 - a) Déposez l'attache fixant le thermostat et la patte d'attache. Retirez du crochet d'expédition le thermostat et la patte d'attache en les soulevant et les décalant sur la droite.
 - b) Abaissez la patte d'attache du thermostat dans le trou situé au fond du distributeur de cubelets.
 - c) Introduisez le bouchon dans le réceptacle qui se trouve sur la patte d'attache, jusqu'à ce qu'il se verrouille en place.
 - d) Fixez la patte d'attache du thermostat en place avec les deux vis moletées.

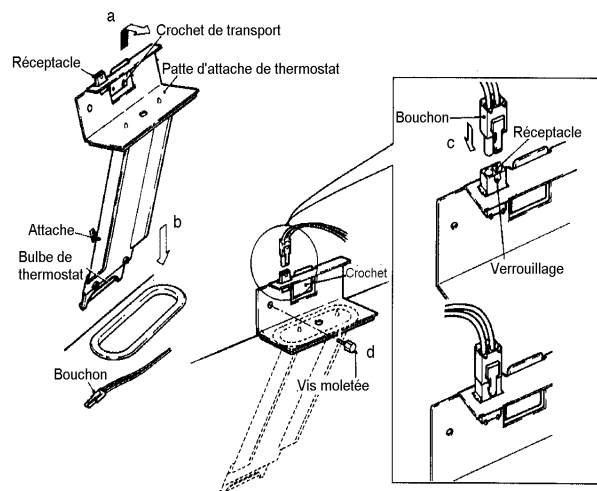


Fig. 3a

- e) Retirez du sac des accessoires l'extension de la patte d'attache pour contrôle du bac.
- f) Déposez le déflecteur de glace du bac.
- g) Déposez les deux vis maintenant la fixation du bulbe de thermostat sur l'extrémité de la patte d'attache du thermostat.
- h) Utilisez ces deux vis pour fixer l'extension de la patte d'attache de la commande du bac à la patte d'attache du thermostat.
- i) Utilisez les deux vis 4 x 10 en acier inoxydable qui se trouvent dans le sachet des accessoires pour attacher la fixation du bulbe de thermostat à l'extrémité de l'extension de la patte d'attache pour le contrôle du bac.
- j) Réinstallez le déflecteur de glace dans le bac.

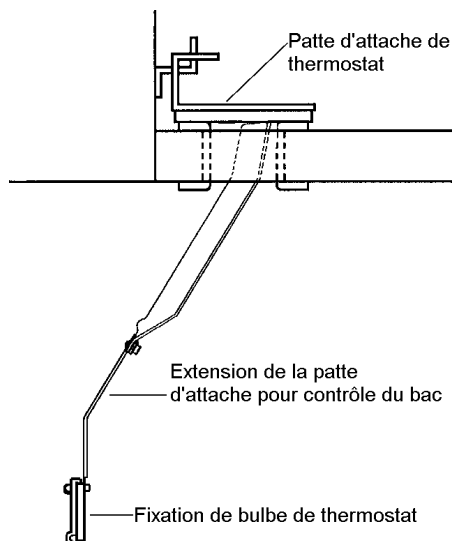


Fig. 3b

- 6) Nivelez le distributeur et son bac de stockage en tournant avec une clé les réglers des pattes du bac de stockage.
- 7) Remplacez les panneaux dans leur position correcte.

5 - EMPILAGE DE DEUX DISTRIBUTEURS L'UN SUR L'AUTRE - (Voir Fig. 4 & 5)

- 1) Complétez la Section 4. «INSTALLATION» pour l'unité inférieure.

- 2) Déposez le panneau supérieur et l'isolation supérieure de l'unité inférieure. Quand on installe le second distributeur, le panneau supérieur et l'isolation supérieure de l'unité inférieure ne sont pas nécessaires.
- 3) Déballez le second distributeur (unité supérieure) et enlevez tous les cartons d'expédition, bandes adhésives et emballages.
- 4) Déposez les panneaux du second distributeur.
- 5) Empilez l'unité supérieure sur l'unité inférieure.
- 6) Dans le paquet d'accessoires de l'unité supérieure, prenez les deux brides universelles et quatre boulons pour fixer l'unité supérieure à l'unité inférieure.

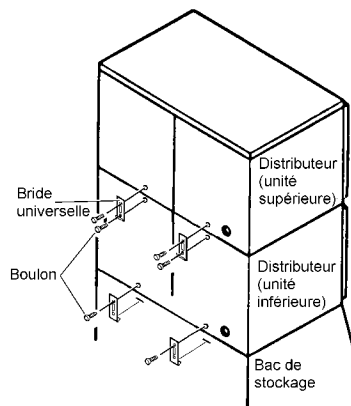


Fig. 4

- 7) Déposez de la patte d'attache de thermostat la fixation de bulbe de thermostat de l'unité supérieure.
- 8) Faites passer le tube capillaire du thermostat de contrôle de bac de stockage de l'unité supérieure à travers l'orifice inférieur de cette unité puis dans l'unité inférieure et par l'orifice au fond de cette unité pour aller dans le bac de stockage. Fixez le bulbe de thermostat de l'unité supérieure, complet avec sa fixation, sur celui de l'unité inférieure, les vis ayant été auparavant déposées de l'unité supérieure. (Voir Fig. 5.).
- 9) Introduisez le bouchon de l'unité supérieure dans le réceptacle de cette dernière qui se trouve sur la patte d'attache, jusqu'à verrouillage en place.
- 10) Fixez la patte d'attache du thermostat en position en utilisant les deux vis moletées.
- 11) Remplacez les panneaux des deux machines.

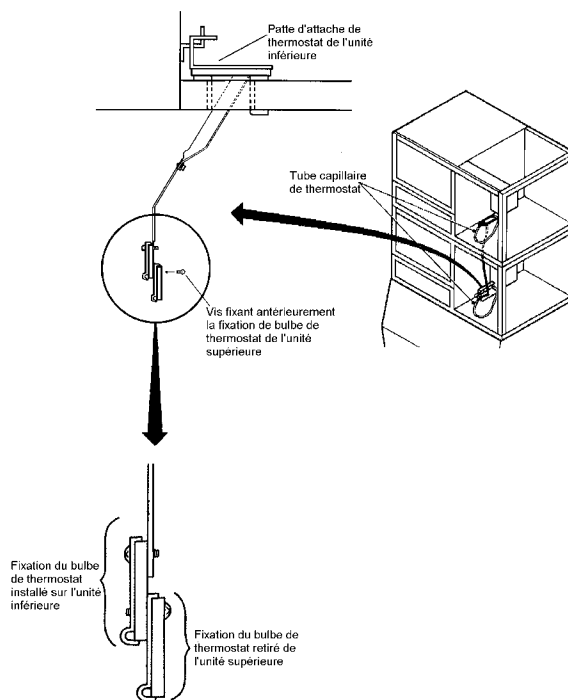


Fig. 5

5. RACCORDEMENTS ELECTRIQUES

AVERTISSEMENT CET APPAREIL DOIT ETRE MIS A LA TERRE

Le distributeur doit avoir une terre qui respecte les réglementations électriques nationales et locales. Pour éviter tout risque d'électrocution grave ou de détérioration importante du matériel, reliez au distributeur un fil de terre adéquat. Avant d'entreprendre n'importe quelle opération d'entretien, de réparation ou de nettoyage, débranchez le cordon d'alimentation du secteur.

- Ce distributeur doit être alimenté séparément. Voir la plaque du constructeur. Il est recommandé d'avoir un circuit d'alimentation secteur propre à cet appareil.
- Les distributeurs empilés doivent avoir chacun un réceptacle séparé, mais ils doivent tous être raccordés en parallèle à la même alimentation monophasée ou circuit d'ampérage suffisant.
- L'ouverture pour le raccordement d'alimentation secteur est de 22,2 mm de diamètre pour accommoder une gaine.
- Si l'on utilise un cordon d'alimentation pour amener l'électricité au distributeur, au lieu de la

gaine permanente, il convient d'installer un passe-fil au niveau du raccordement 22.2 mm de l'alimentation secteur. Ce passe-fil doit être de la taille appropriée pour le cordon d'alimentation secteur qui est installé. La section des conducteurs de ce cordon d'alimentation secteur doit correspondre à la consommation électrique de ce distributeur.

Comme il est possible que le codage couleur des fils du cordon d'alimentation ne corresponde pas au repérage des bornes sur votre fiche, effectuez le raccordement électrique comme suit :

Le fil vert-et-jaune doit être relié à la borne de la fiche repérée par la lettre E ou par le symbole \perp , ou codée en vert ou vert-et-jaune. Le fil bleu doit être relié à la borne repérée par la lettre N ou la couleur noire. Le fil marron doit être relié à la borne repérée par la lettre L ou la couleur rouge.

- Pour la connexion électrique du groupe condenseur à distance URC-12F-E à la jonction du moteur de ventilateur du KM-1300SRH-E, il est recommandé d'utiliser une gaine normalisée IPX4. Si l'on utilise un cordon d'alimentation secteur, le cordon lui-même doit être homologué pour utilisation extérieure et il conviendra d'utiliser un passe-fil normalisé IPX4 au point de pénétration du cordon dans le condenseur à distance modèle URC-12F-E.

- Il faut généralement obtenir une autorisation pour effectuer l'installation électrique, et recourir aux services d'un électricien qualifié.

7 - INSTALLATION DU CONDENSEUR A DISTANCE (uniquement les modèles à distance refroidis par air)

[a] DEBALLAGE

- 1) Déballez et jetez le carton d'expédition, les rubans et l'emballage.
- 2) Vérifiez que les conduites de réfrigérant n'entrent pas en contact ou ne se frottent pas contre d'autres conduites ou surfaces, et que la roue de ventilateur tourne librement.

[b] EMBLACEMENT

Le condenseur est prévu pour une utilisation à l'extérieur et doit être positionné en permanence dans un endroit bien ventilé en observant les recommandations suivantes :

- Sélectionnez un emplacement ferme et nivelé.
- N'exposez pas le condenseur à des conditions atmosphériques sévères ou adverses.

- Choisissez de préférence un endroit sec et bien aéré avec 60 cm de dégagement à l'avant et à l'arrière pour faciliter la maintenance et les réparations éventuelles.
- Température ambiante normale du condenseur : - 28 °C à + 50 °C. Les températures hors de cette gamme de service peuvent influencer la capacité de production du distributeur.
- La longueur de conduite maximale pour la charge standard de réfrigérant est de 20 mètres.
- La longueur maximale absolue de conduite est de 30 mètres et exigera une charge de réfrigérant supplémentaire. Veuillez contacter les bureaux Hoshizaki les plus proches, en vous servant des adresses figurant dans votre notice d'utilisation.
- Le condenseur ne doit pas être installé à plus de 10 mètres au-dessus du niveau du distributeur ni à plus de 3 mètres au-dessous, distance mesurée d'un raccord à l'autre.

N.B. : Si les recommandations pour l'installation ne sont pas observées, la performance du distributeur risque d'être réduite.

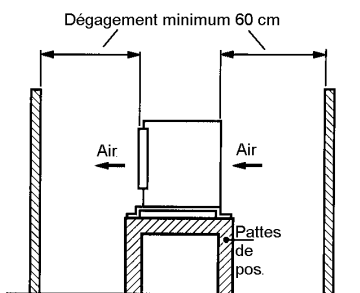


Fig. 6

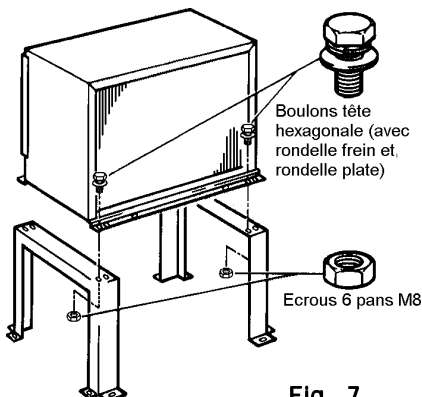


Fig. 7

C - INSTALLATION

- 1) Fixez les pattes au condenseur avec 8 boulons à tête hexagonale M8 x 16 mm et les écrous M8, comme indiqué dans l'illustration. (Voir Fig. 7).

N.B. : Positionnez les pattes symétriquement.

- 2) Huit trous de montage sont fournis pour fixer le condenseur sur la surface du site (boulons non fournis).
- 3) Installez une longueur suffisante des deux tubes en cuivre entre le distributeur et le condenseur. Les tubes pré-chargés ont des accouplements Aéroquip montés. Évitez les boucles excessives pour éliminer les pièges d'huile ou le pliage des tubes. Les deux tubes doivent toujours être isolés séparément. (Voir Fig. 8).

- Un kit connecteur «OS-QUICK» peut être obtenu auprès de HOSHIZAKI EUROPE pour la fabrication de conduites sur terrain.

- Des kits de tubes pré-chargés R-404A, également disponibles en option auprès de HOSHIZAKI EUROPE, sont recommandés.

- 4) Quand les ensembles de conduites sont fabriqués sur terrain, ils doivent être testés contre les fuites et purgés avant le raccordement au distributeur/condenseur par les orifices de charge se trouvant sur les accouplements Aéroquip et chargés de vapeur réfrigérante R-404A à la pression 15-30PSIG (1-2 bar).

N.B. : Les kits de tubes fabriqués en usine sont pré-chargés et n'ont pas besoin d'être purgés.

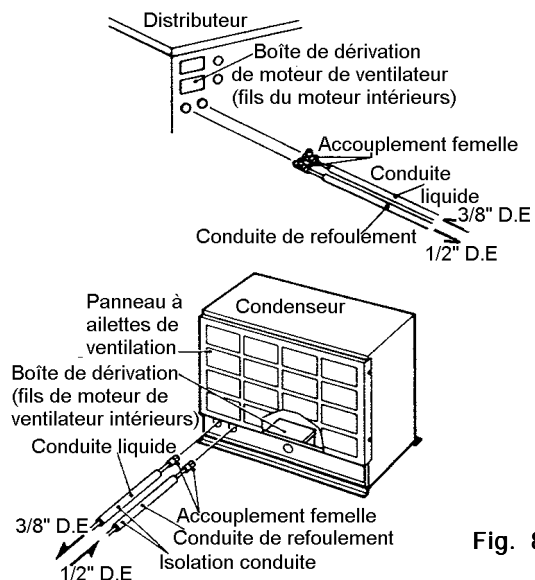


Fig. 8

- 5) Déposez les capuchons en plastique protégeant les accouplements. Graissez les filetages d'accouplement et les joints toriques avec de l'huile réfrigérante propre d'un type convenant à R404A.
- 6) Raccordez et serrez les accouplements sur le distributeur et le condenseur comme suit, jusqu'à ce qu'ils soient serrés entièrement, puis d'un quart de tour supplémentaire pour assurer un bon contact laiton sur laiton.

Conduite du distributeur pour le refoulement de réfrigérant :

tube de diamètre extérieur ½ « sur «DIS» du condenseur

Conduite du distributeur pour réfrigérant liquide :
tube de diamètre extérieur 3/8" sur «LIQ» du condenseur

N.B. : Vérifiez que le groupe, le jeu de conduites et le condenseur contiennent un réfrigérant de même type, avant d'établir les raccordements. Le mélange de réfrigérant différent aboutit à un fonctionnement impropre et à un endommagement possible du circuit de réfrigération. Etablissez les raccordements d'abord au condenseur à distance, puis au distributeur.

- 7) Testez entièrement les joints d'accouplement.

[d] RACCORDEMENTS ELECTRIQUES

AVERTISSEMENT

CET APPAREIL DOIT ETRE MIS A LA TERRE

Ce condenseur à distance demande une mise à la terre qui soit conforme aux normes électriques locales et nationales. Pour éviter les risques de décharges électriques graves pour les personnes, ou l'endommagement sévère des équipements, il convient d'installer dans les règles de l'art un conducteur de mise à la terre pour le distributeur. Avant tous travaux de maintenance, réparations ou nettoyage, toujours couper l'alimentation électrique.

- Ce condenseur doit être connecté à la boîte de dérivation du moteur de ventilateur qui se trouve sur le distributeur.
- L'ouverture du raccordement de l'alimentation électrique est de 22.2 mm, convenant à une gaine.
- Si l'on utilise un cordon d'alimentation secteur au lieu de la gaine pour raccorder le URC-12F-E à la boîte de dérivation du moteur de ventilateur du KM-1300SRH-E, ce cordon doit être prévu pour utilisation extérieure. Au point de pénétration dans le URC-12F-E, il convient d'utiliser un passe-fil normalisé IPX4 au point d'entrée du cordon dans l'URC-12F-E.

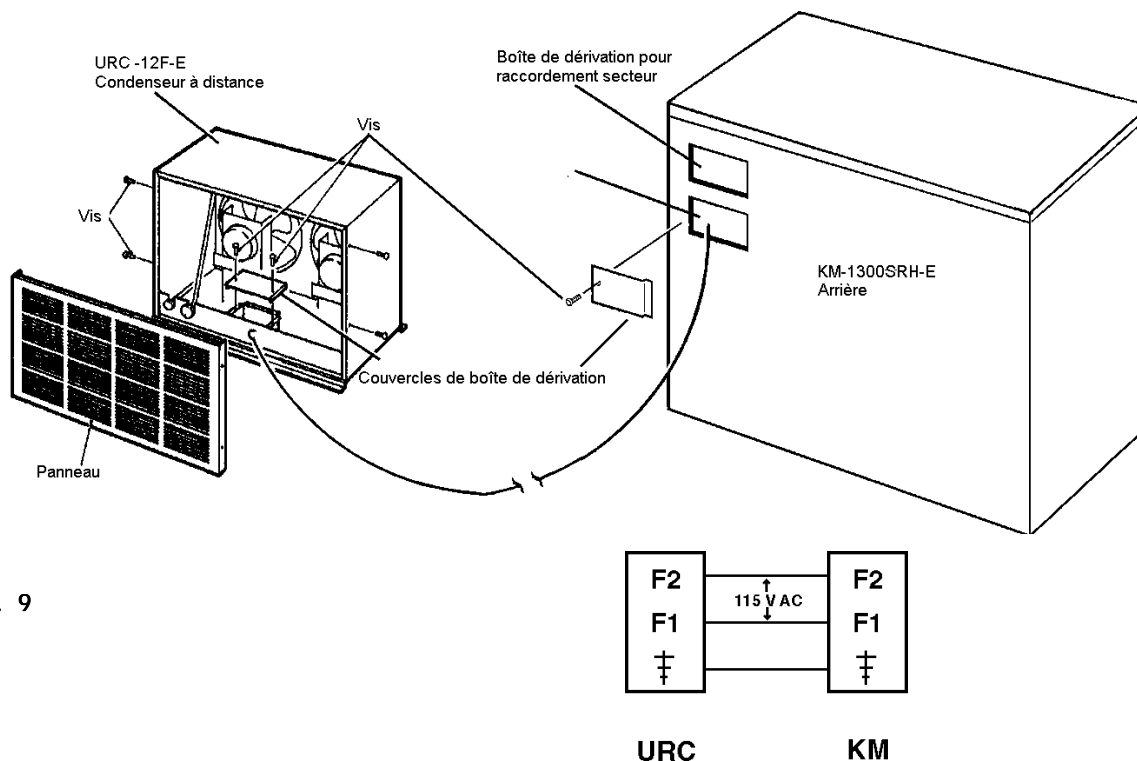


Fig. 9

- La section recommandée pour les conducteurs est de 0.75 mm².
 - Normalement, les services d'un électricien agréé et un certificat de conformité électrique sont requis.
- 1) Déposez les quatre vis et le panneau du condenseur à distance.
 - 2) Déposez les deux vis et le couvercle de la boîte de dérivation du condenseur à distance.
 - 3) Déposez la vis et le couvercle de la boîte de dérivation du moteur de ventilateur URC qui se trouve sur le distributeur.
 - 4) Raccordez les fils du moteur de ventilateur qui se trouvent dans la boîte de dérivation du condenseur à distance aux fils du moteur de ventilateur qui se trouvent dans la boîte de jonction du distributeur refroidi à distance HOSHIZAKI. Les moteurs de ventilateurs de l'URC 12 F-E fonctionnent sur 115 V c.a. Ne raccordez pas le URC 12F-E sur l'alimentation secteur 230 V c.a.
 - 5) Installez un fil de mise à la terre du distributeur au condenseur à distance.
 - 6) Remplacez le panneau et le couvercle de la boîte de dérivation dans leurs positions d'origine.

[e] EMPILAGE DU CONDENSEUR

- 1) Fixez le condenseur inférieur aux pattes de support en utilisant huit boulons.
- 2) Déposez le panneau supérieur du condenseur inférieur.
- 3) Posez le condenseur supérieur sur le condenseur inférieur.
- 4) Fixez le condenseur supérieur au moyen des quatre vis prises sur le panneau supérieur du condenseur inférieur.
- 5) Installez les conduites de réfrigérant, et établissez les raccords électriques pour chaque moteur de ventilateur comme indiqué aux postes c et d.

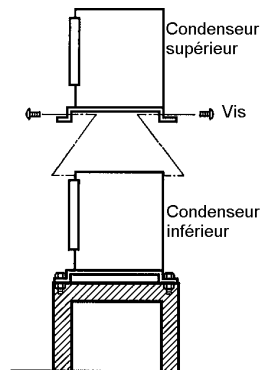


Fig. 10

8. RACCORDEMENTS DE L'ARRIVEE D'EAU ET DE LA VIDANGE - Voir Figure 11.

AVERTISSEMENT

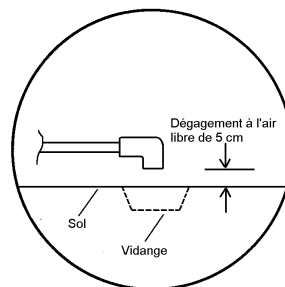
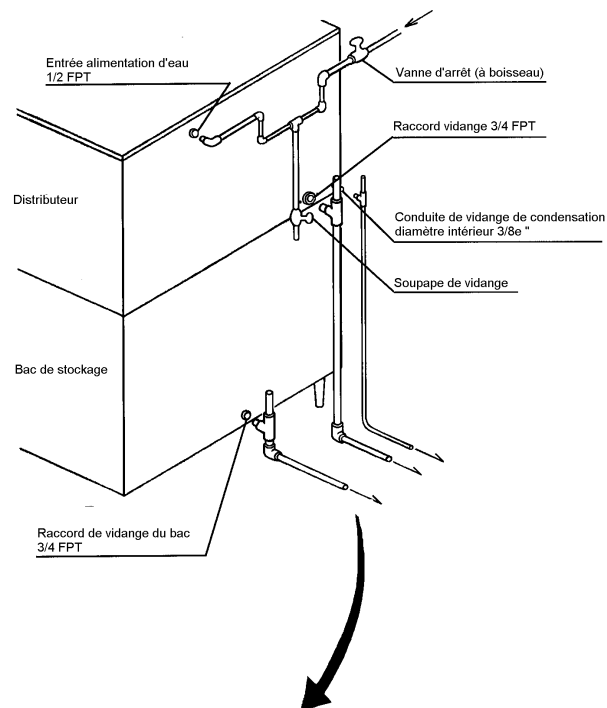
Pour éviter d'endommager la pompe, ne pas faire fonctionner le distributeur de cubelets quand l'alimentation d'eau est coupée, ou si la pression est inférieure à 0.7 bar.
Ne pas faire fonctionner le distributeur tant que la pression d'eau adéquate n'est pas atteinte.

- Ce distributeur ne doit utiliser que de l'eau potable
- Le raccordement aux amenées d'eau ne doit être fait que par un technicien qualifié
- Le raccord d'arrivée d'eau est de filetage ½ «FTP femelle.
- Il est recommandé d'installer une vanne d'arrêt d'alimentation d'eau ainsi qu'un robinet de vidange. Il est recommandé d'utiliser une vanne à boisseau sphérique pour la vanne d'arrêt. Un type de vanne autre qu'une vanne à boisseau sphérique ne devra pas avoir une ouverture minimum plus petite que le diamètre intérieur de la ligne d'alimentation d'eau car cela peut réduire le débit et entraîner une mauvaise décongélation ou la congélation. Il est recommandé d'utiliser du tube cuivre de diamètre extérieur 13 mm au minimum.
- La pression de l'alimentation d'eau doit être au minimum de 0.7 bar et d'au maximum 8 bar. Si la pression dépasse 8 bar, il est nécessaire d'utiliser une vanne réductrice de pression. NE PAS tenter de réduire au niveau du robinet d'alimentation.
- Le raccord de vidange du distributeur et du bac de stockage est de ¾» FTP. La vidange de la condensation est un tuyau de 10 mm diamètre intérieur. Les tuyauteries de raccordement pour la vidange du condenseur et celle du distributeur doivent être effectuées séparément de celles de la vidange du

réservoir. La vidange finale doit être équipée d'une aération pour assurer un bon débit pendant le cycle de récolte (voir Figure 3).

- Pour le soudage, ne PAS utiliser des raccords soudés car l'application de la chaleur au distributeur ou au réservoir peut endommager les raccords intérieurs.
- Les vidanges doivent avoir une dénivellation de 2 cm pour 30 cm sur les écoulements horizontaux afin d'avoir un bon écoulement.
- Les vidanges ne doivent pas être raccordées directement au circuit d'évacuation d'eaux usées. Il faut laisser un espace d'air d'un minimum de 5 cm verticalement entre l'extrémité du tuyau de vidange du distributeur ou du réservoir et l'orifice de l'évacuation au niveau du sol (Voir Figure 3).
- Ce distributeur doit être installé conformément aux réglementations nationales, provinciales et locales.
- Dans certaines régions, il peut être obligatoire d'installer un anti-retour dans le circuit d'eau de refroidissement.

KM-1300SAH-E KM-1300SRH-E



Conduite séparée vers réseau de vidange agréé.
Laisser un dégagement vertical à l'air libre de 5 cm entre l'extrémité de chaque tuyauterie et le point de vidange

Fig. 11

9. MISE EN ROUTE

AVERTISSEMENT

1. Le distributeur est conçu pour produire et stocker de la glace alimentaire. Pour le maintenir dans un parfait état d'hygiène :

- Lavez-vous les mains avant d'enlever de la glace
- Utilisez la pelle plastique fournie (accessoire)
- Le bac de stockage n'est réservé que pour la glace. Ne stockez rien d'autre dans ce bac.
- La pelle doit toujours être propre. Nettoyez-la avec un produit détergent neutre et rincez-la soigneusement.
- Fermez la porte immédiatement après avoir enlevé la glace pour empêcher la pénétration de saletés, de poussière ou d'insectes dans le réservoir.

2. Toute utilisation d'équipements électriques exige l'observation de certaines règles fondamentales, en particulier :

- L'apparition d'un degré d'humidité élevé augmente le risque des courts-circuits et des électrocutions. En cas de doute, débranchez la machine.
- Ne pas utiliser l'appareil si vous êtes pieds nus.
- Pour déconnecter la machine du secteur, ne tirez pas sur le cordon électrique.
- Cet appareil ne doit pas être confié à de jeunes enfants sans surveillance ni à des personnes âgées ou infirmes.

3. Toutes les pièces sont réglées en usine. Tout mauvais réglage peut provoquer une panne.

4. Si l'appareil est débranché, attendez au moins 3 minutes avant de remettre le distributeur de cubelets en route pour éviter toute détérioration du compresseur.

5. Ne pas faire fonctionner le groupe en position LAVAGE sans eau dans le réservoir d'eau. Cela endommagerait le joint d'étanchéité de la pompe à eau.

1. Ouvrir le robinet d'arrêt de la conduite d'alimentation d'eau.
2. Enlever le panneau avant
3. Mettre le commutateur de commande de la boîte de commande en position «GLACE».
4. Replacer le panneau avant dans sa position correcte

5. Etablir l'alimentation électrique et laisser le réservoir d'eau se remplir d'eau et le distributeur fonctionner pendant 10 mn en tout (voir 8 pour la Séquence des opérations).

6. Vérifiez l'absence de fuites d'eau au niveau des raccords d'alimentation d'eau et de vidange.

7. Couper l'alimentation électrique, et déposer le panneau avant.

8. Déposez le panneau d'isolation. Déposez le capuchon qui se trouve dans la partie inférieure avant de la trappe d'évacuation de glace. Vidangez le réservoir d'eau pour évacuer toutes particules détachées. (Voir Fig. 12).

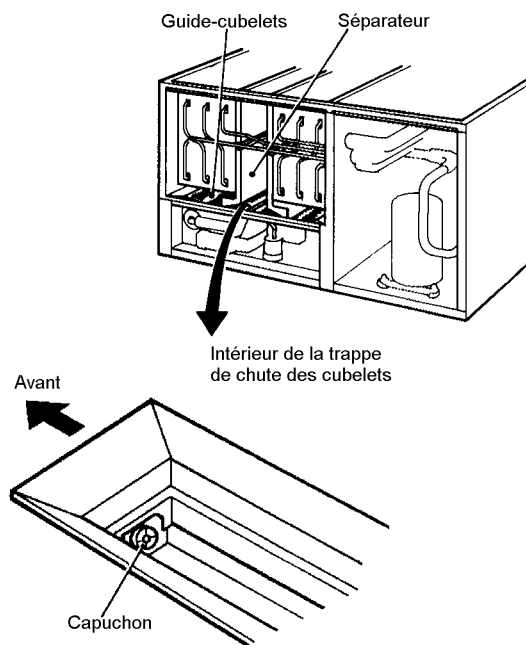


Fig. 12

9. Remettre le tube de la pompe en place et le couvercle du socle en bonne position.

10. Nettoyer le bac de stockage

11. Rétablir l'alimentation électrique et démarrer le processus de fabrication de glace automatique.

12. Attendre d'avoir terminé un cycle complet de fabrication de glace et décongélation.

VERIFICATION DE LA COMMANDE DE RESERVOIR

- 1) Le panneau étant en place, retirer les vis moletées qui se trouvent sur le bord supérieur du déflecteur de glace du bac de stockage, et laisser pivoter sur les fixations latérales.
- 2) Maintenir une certaine quantité de glace contre le bulbe de commande de réservoir. Le distributeur doit normalement s'arrêter dans les 6 à 10 secondes qui suivent.
- 3) Remettre les vis moletées en place et fermer la porte du réservoir.
- 4) Vérifier que le distributeur redémarre.

10. FONCTIONNEMENT

Les étapes de la séquence de mise en route / fonctionnement sont les suivantes :

- 1) Cycle de remplissage d'1 minute

Le groupe commence toujours par un cycle de remplissage d'1 minute. Quand il est mis sous tension, la vanne d'eau est excitée et la période de remplissage commence. Après 1 minute, le panneau vérifie que la valve à flotteur est fermée. Si c'est le cas, le cycle d'accumulation commence. Sinon, le groupe ne démarrera pas sans une quantité d'eau adéquate dans le réservoir. Cela sert de sécurité niveau bas. La vanne d'eau reste excitée pendant des cycles supplémentaires de 1 minute jusqu'à ce qu'une quantité suffisante d'eau pénètre dans le réservoir et que la soupape à flotteurs se ferme.

- 2) Premier cycle de production

Le compresseur démarre, la soupape à gaz chaud s'ouvre, le robinet d'eau reste ouvert et la production commence. Au fur et à mesure que l'évaporateur se réchauffe, le thermistor se trouvant sur la ligne d'aspiration vérifie qu'il y ait une température de 9 ° C. Quand cette température est atteinte, la production est sous le contrôle du temporisateur de décongélation réglable du tableau de commande, qui est réglé en usine pour des conditions normales. Ce réglage peut faire varier le temporisateur de décongélation de 1 à 3 minutes qui est réglé en usine pour des conditions normales.

- 3) Cycle de congélation

Quand le temporisateur a terminé le cycle de récolte, les robinets de gaz chaud et d'eau se ferment, et le cycle de production de glace peut commencer. Pendant les 5 premières minutes, le tableau de commande refuse tout signal du contact à flotteur. Ce délai minimum de

congélation de 5 minutes sert de protection contre un court-cycle. A la fin des 5 minutes, le contact à flotteur prend la commande. Au fur et à mesure que la glace s'accumule sur l'évaporateur, le niveau d'eau dans le réservoir baisse. La congélation continue jusqu'à ce que le contact à flotteur s'ouvre et arrête la production de glace.

- 4) Arrêt de la pompe de récolte

Quand le contact à flotteur s'ouvre et signale la fin du cycle de congélation, le cycle de récolte commence. La soupape à gaz chaud s'ouvre et le compresseur continue à fonctionner. Le temporisateur de vidange commence à compter une évacuation par pompage de 10 à 20 secondes.

La pompe à eau s'arrête pendant 2 secondes et fonctionne en sens inverse, ce qui prend l'eau du fond du réservoir et exerce une pression contre le siège de la soupape de retenue, ce qui permet à l'eau de passer par la soupape de retenue et de se vidanger. En même temps, de l'eau s'écoule par le petit tube pour rincer le contact à flotteur. Quand le temps du temporisateur de vidange s'est écoulé, le pompage est terminé.

L'évacuation par pompage se produit toujours à la première récolte après le cycle de congélation initiale. Le tableau de commande permet de régler le pompage pour qu'il se produise à chaque cycle, tous les 2 cycles, tous les 5 ou 10 cycles à partir de ce point.

- 5) Cycle Normal de Récolte

Le clapet d'eau s'ouvre pour laisser l'eau aider la récolte. L'évaporateur se réchauffe progressivement et le thermistor atteint 9 ° C. Le tableau de commande reçoit le signal du thermistor et démarre le temporisateur de décongélation. Le clapet d'eau est ouvert pendant la récolte (décongélation) pendant un maximum de 6 minutes ou pendant la durée de la récolte, selon ce qui est le plus court. Quand la période du temporisateur de décongélation est écoulée, le cycle de décongélation est terminé et le nouveau cycle de congélation commence.

Le groupe passe aux séquences 3), 4) et 5) jusqu'à ce que la commande du réservoir détecte de la glace et arrête le groupe.

N.B. : Si le distributeur ne commence pas ou ne termine pas un cycle de fonctionnement, veuillez contacter votre distributeur Hoshizaki le plus proche pour obtenir de l'aide.

11. CHECK LIST FINALE

- 1) Le distributeur est-il de niveau ?
- 2) Le distributeur est-il situé dans un endroit où la température ambiante est comprise entre + 7° C et + 40° C pendant toute l'année ?
- 3) Existe-t-il un dégagement d'au moins 15 cm tout autour de l'appareil pour la maintenance ou les réparations ?
- 4) Toutes les bandes adhésives, cartons et éléments de conditionnement ont-ils été enlevés du distributeur ? Les guides des cubes sont-ils dans leur position correcte ?
- 5) Tous les raccordements de tuyauterie et électriques ont ils été faits ?
- 6) La tension d'alimentation secteur a-t-elle été vérifiée ou testée par rapport à ce qui est indiqué sur la plaque du fabricant ?
- 7) La vanne d'arrêt et la vanne de vidange de la conduite d'alimentation d'eau ont-elles été installées ? A-t-on vérifié que la pression d'alimentation d'eau soit au minimum de 0.7 bar et au maximum de 8 bar ?

N.B. : Le distributeur peut s'arrêter de fonctionner quand l'alimentation d'eau est coupée, ou quand la pression est inférieure à 0.7 bar. Quand la pression d'eau appropriée est rétablie, le distributeur se remet automatiquement en marche.

- 8) Les boulons de retenue du compresseur et les conduites de réfrigérants ont-ils été vérifiés contre les problèmes de vibrations et les pannes qu'ils peuvent entraîner ?
- 9) Le bon fonctionnement du contact de commande du réservoir a-t-il été vérifié ?
- 10) A-t-on remis à l'utilisateur la notice d'instructions et lui a-t-on indiqué comment faire fonctionner le distributeur et souligné l'importance de la maintenance périodique recommandée ?
- 11) A-t-on remis à l'utilisateur le nom et le numéro de téléphone d'un agent de maintenance agréé ?

IMPORTANTE

1. Per un'installazione sicura e affidabile del prodotto, leggere prima attentamente questo opuscolo e seguire le istruzioni in esso contenute.
2. Una volta completata l'installazione, avviare la macchina per controllare che non presenti anomalie e istruire l'utente sull'uso e la manutenzione della macchina secondo quanto previsto dal manuale di istruzione.
3. Ad installazione avvenuta, consegnare questo opuscolo all'utente che dovrà conservarlo unitamente al manuale di istruzione per eventuali riferimenti futuri.

AVVERTENZA

L'installazione deve essere eseguita da personale qualificato, in ottemperanza alle norme vigenti e secondo le indicazioni del fabbricante.

1. DISIMBALLAGGIO**AVVERTENZA**

Tenere i bambini lontani dai componenti dell'imballo (sacchetti di plastica e polistirolo espanso) poiché costituiscono potenziali fonti di pericolo.

ATTENZIONE

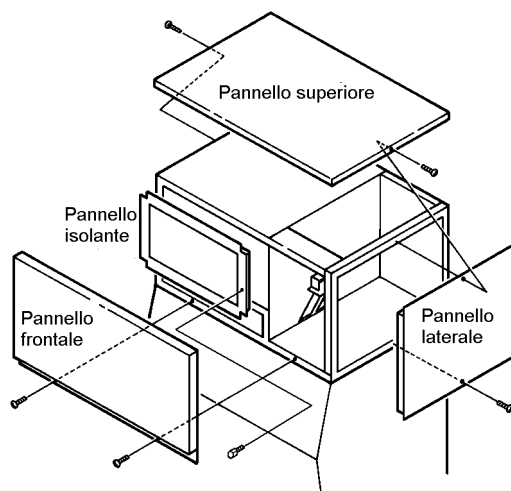
Rimuovere il cartone di imballaggio, il nastro adesivo e l'involucro. Il distributore non può funzionare se al suo interno sono presenti residui del materiale di imballaggio.

Nota: 1. Questo apparecchio per la produzione di ghiaccio necessita di una vaschetta di deposito. Si raccomanda di usare una vaschetta Hoshizaki di un modello della serie B-800.

2. Il modello raffreddato ad aria a distanza utilizza un CONDENSATORE HOSHIZAKI A DISTANZA modello URC-12F-E.

1. Dopo aver rimosso l'imballaggio, assicurarsi che la macchina sia in buone condizioni. Nel dubbio, non metterlo in funzione e rivolgersi a personale qualificato. Consultare il foglio con le istruzioni allegato alla vaschetta di deposito per le indicazioni sul disimballaggio e l'installazione.
2. Prima di procedere con l'installazione, togliere i pannelli per evitare possibili danni (v. 2. RIMOZIONE DEI PANNELLI).

3. Togliere l'imballo contenente gli accessori dal vano compressore.
4. Rimuovere la pellicola protettiva dai pannelli. Se la macchina è esposta al sole o ad altra fonte di calore, rimuovere la pellicola dopo averla fatta raffreddare.
5. Controllare che i condotti del refrigerante non siano a contatto tra loro o con altre superfici e che le pale della ventola possano ruotare liberamente.
6. Controllare che il compressore sia posizionato correttamente sui relativi blocchetti.
7. Verificare che il voltaggio applicato sia quello riportato sulla targhetta posta sul pannello posteriore.
8. Togliere il nastro da imballaggio che fissa le guide della cubettatrice.

2. RIMOZIONE DEI PANNELLI (V. FIG. 1)**Fig. 1**

- a) Pannello frontale Togliere le due viti, sollevare e tirare verso di sé.
- b) Pannello superiore Togliere le due viti, e sollevare per togliere.
- c) Pannello laterale (Dx) . Togliere la vite, tirare leggermente verso di sé e togliere.
- d) Pannello isolante Togliere la vite a testa zigrinata, sollevare leggermente e tirare verso di sé.

3. UBICAZIONE

IMPORTANTE

1. Questo apparecchio non è stato progettato per l'uso all'aperto. La temperatura dell'ambiente di esercizio dovrebbe mantenersi tra i 7°C e i 40°C, e quella dell'acqua tra i 7°C e i 35°C. Impiegare per lungo tempo questo apparecchio a temperature diverse da quelle indicate potrebbe danneggiarne seriamente la capacità produttiva.
2. Questo apparecchio non dovrebbe essere collocato in prossimità di forni, grill o altre fonti di calore.
3. Collocare l'apparecchio su una superficie solida e piana.
4. Lasciare uno spazio di 15 cm al di sopra dell'apparecchio e in corrispondenza delle pareti laterali e posteriore dell'apparecchio per favorire il passaggio dell'aria ed eventuali interventi di manutenzione.
5. Questo distributore non è indicato per l'installazione in aree in cui sia previsto l'uso di idrogetti e dove non sia consentito il gocciolamento.
6. Non collocare alcun oggetto di fronte alla griglia di ventilazione.
7. Questo apparecchio non è in grado di funzionare a temperature al di sotto dello zero. Per evitare danni alla linea idrica, svuotare l'apparecchio in caso la temperatura scenda al di sotto dello zero.

4. INSTALLAZIONE

- L'installazione dell'apparecchio deve essere effettuata da personale qualificato, in base alle norme vigenti e alle istruzioni fornite dal fabbricante.
 - Un'impropria installazione può causare danni all'apparecchio, a persone, animali e cose verso cui il fabbricante non può ritenersi responsabile.
- 1) Togliere dall'imballo la vaschetta di deposito e montare sul fondo i quattro piedini regolabili in dotazione con gli accessori della vaschetta.
 - 2) Collocare la vaschetta di deposito nella posizione prescelta.

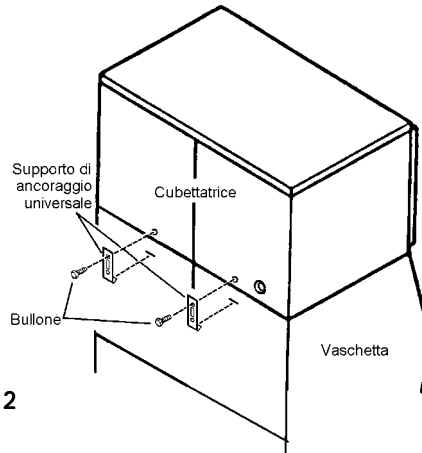


Fig. 2

ATTENZIONE

Prima di utilizzare il distributore è necessario montare correttamente il termostato della vaschetta.

- 3) Collocare l'apparecchio sulla vaschetta di deposito prestando attenzione a non danneggiare le guarnizioni di tenuta.
- 4) Nella confezione contenente gli accessori, individuare i due supporti di ancoraggio universali ed i bulloni di fissaggio della cubettatrice alla vaschetta (v. Fig. 2).
- 5) Montare il termostato della vaschetta come segue (v. Fig. 3a e 3b).
 - a) Togliere il tirante di fissaggio del termostato e della staffa. Sollevare il termostato e la staffa dal gancio da trasporto, e toglierli spostandoli verso destra.
 - b) Abbassare la staffa del termostato attraverso il foro praticato sul fondo della cubettatrice.
 - c) Inserire la spina nel vano previsto sulla staffa, finché non si blocca.
 - d) Fissare la staffa del termostato con le due viti a testa zigrinata.

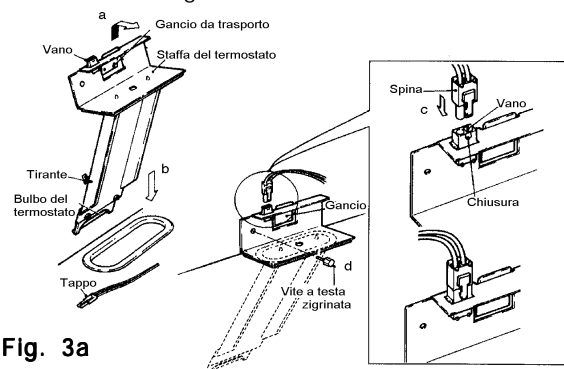


Fig. 3a

- (e) Togliere dalla confezione degli accessori la prolunga della staffa di regolazione della vaschetta.
- (f) Togliere il deflettore del ghiaccio dalla vaschetta.
- (g) Togliere le due viti che fissano l'attacco del bulbo del termostato all'estremità della staffa del termostato.
- (h) Usare queste due viti per fissare la prolunga della staffa di regolazione della vaschetta alla staffa del termostato.
- (i) Con le due viti 4 x 10 in acciaio inossidabile fissare l'attacco del bulbo del termostato all'estremità della prolunga della staffa di regolazione della vaschetta.
- (j) Montare il deflettore del ghiaccio nella vaschetta.

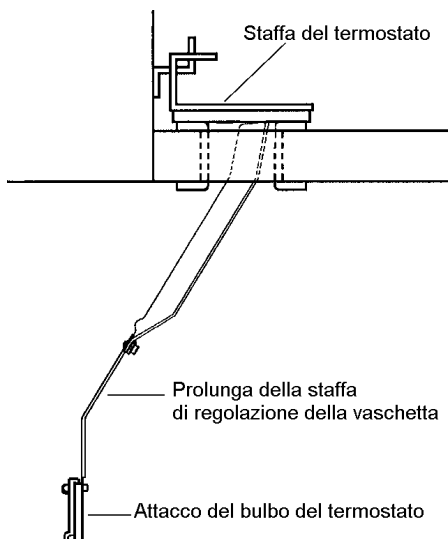


Fig. 3b

- 6) Livellare la cubettatrice/vaschetta di deposito nei sensi sinistra-destra e davanti-indietro, girando con una chiave i regolatori dei piedini della vaschetta.
 - 7) Montare i pannelli nella loro posizione originaria.
- 5. SOVRAPPOSIZIONE DELLE DUE CUBETTATRICI - V. Fig. 4 e 5**
- 1) Completare la Sezione 4. "INSTALLAZIONE", per la cubettatrice inferiore.
 - 2) Togliere il pannello superiore e l'isolamento superiore della cubettatrice inferiore. Quando si

installa la seconda cubettatrice non occorrono né il pannello superiore né l'isolamento superiore della cubettatrice inferiore.

- 3) Disimballare la seconda cubettatrice (superiore) e togliere il cartone, il nastro (o nastri) e l'imballaggio usati per il trasporto.
- 4) Togliere i pannelli della seconda cubettatrice.
- 5) Sovrapporre la cubettatrice superiore a quella inferiore.
- 6) Nella confezione contenente gli accessori, individuare i due supporti di ancoraggio universali ed i quattro bulloni di fissaggio della cubettatrice superiore all'inferiore.

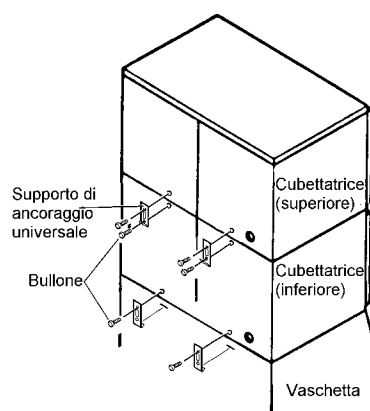


Fig. 4

- 7) Togliere l'attacco del bulbo del termostato della cubettatrice superiore dalla staffa del termostato.
- 8) Inserire il tubo capillare del termostato di regolazione della vaschetta della cubettatrice superiore nel foro inferiore della stessa cubettatrice, ed infilarlo nella cubettatrice inferiore; infilarlo quindi attraverso il foro inferiore della cubettatrice inferiore, e infine nella vaschetta. Con le viti tolte in precedenza dalla cubettatrice superiore fissare il bulbo del termostato della cubettatrice superiore, completo di attacco, a quello della cubettatrice inferiore (v. Fig. 5).
- 9) Inserire il tappo della cubettatrice superiore nel vano della staffa della stessa cubettatrice, finché non si blocca.
- 10) Fissare la staffa del termostato con le due viti a testa zigrinata.
- 11) Ricollocare i pannelli di entrambe le macchine nella loro posizione originaria.

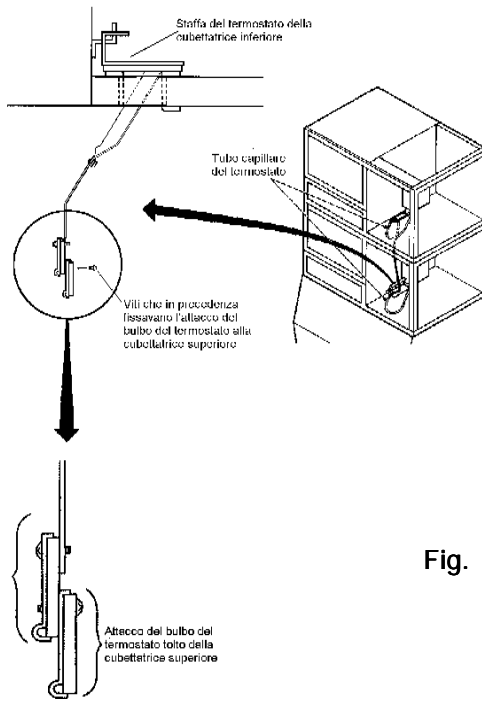


Fig. 5

6. COLLEGAMENTI ELETTRICI

AVVERTENZA COLLEGARE IL DISTRIBUTORE A UNA PRESA DI TERRA

Per questo distributore è necessario disporre di una presa a terra che risponda alle normative vigenti. Per evitare traumi alle persone e danni elettrici all'impianto, collegare il distributore a una presa a terra con un apposito filo. Rimuovere la spina dalla presa di corrente prima di effettuare qualunque intervento di manutenzione, riparazione o pulizia.

- Questo apparecchio deve essere collegato ad alimentazione separata o a una presa di corrente di adeguata capacità. Controllare quanto riportato sulla targhetta. È consigliabile che la cubettatrice sia l'unico apparecchio elettrico collegato a quel circuito di alimentazione.
- Le cubettatrici impilate devono disporre di prese di corrente distinte, tuttavia devono essere entrambe collegate in parallelo alla stessa alimentazione (o allo stesso circuito) monofase avente ampere sufficienti.
- La connessione ha un diametro di 22,2 mm. adatto al condotto.

- Nei casi in cui venga utilizzato un cavo di alimentazione elettrica per il distributore anziché il collegamento (condotto) permanente, montare un anello premistoppa sul collegamento di 22,2 mm all'alimentazione. Le dimensioni dell'anello premistoppa devono essere adatte al cavo di alimentazione utilizzato, e quelle dei conduttori del cavo devono essere adatte al consumo elettrico del distributore.

Poiché i colori dei fili nel cavo di alimentazione di questo distributore potrebbero non corrispondere a quelli dello schema precedente utilizzato per la presa di alimentazione, procedere nel modo seguente:

collegare il filo verde e giallo al terminale identificato con la lettera E o con il simbolo \perp o di colore verde o verde e giallo. Collegare il filo blu al terminale identificato con la lettera N o di colore nero. Collegare il filo marrone al terminale identificato con la lettera L o di colore rosso.

- Per il collegamento del condensatore a distanza URC-12F-E alla giunzione del motore del ventilatore di KM-1300SRH-E si consiglia di utilizzare un condotto nominale IPX4. Quando si usa un cavo di alimentazione, questo deve essere a norma per uso all'aperto, e nel punto in cui entra nel condensatore a distanza modello URC-12F-E si dovrà utilizzare un premistoppa nominale IPX4.
- Di solito sono necessari l'assistenza e la certificazione di un elettricista autorizzato.

7. INSTALLAZIONE DEL CONDENSATORE A DISTANZA (Solo per modelli ad aria, a distanza)

[a] DISIMBALLAGGIO

- 1) Disimballare e togliere il cartone di spedizione, il nastro (o nastri) e la confezione.
- 2) Verificare che i tubi refrigeranti non sfreghino contro, e non tocchino, tubi od altre superfici, e che la pala del ventilatore giri senza ostacoli.

[b] POSIZIONE

Il condensatore è inteso per uso all'aperto, e deve essere collocato in modo permanente in un luogo ben ventilato, osservando la seguente linea di condotta:

- Scegliere un luogo solido e piano.
- Non esporre il condensatore a intemperie.

- Si consiglia un luogo preferibilmente asciutto e ben ventilato, con uno spazio libero di 60 cm. davanti e dietro al fine di agevolare eventuali interventi di manutenzione e revisione.
- Normale temperatura ambiente del condensatore: da -28°C a 50°C. Le temperature che esulano da questo range di esercizio possono influire sulla capacità produttiva della cubettatrice.
- La massima lunghezza del tubo per la normale carica di refrigerante è di 20 metri.
- La lunghezza massima del tubo è di 30 m, e necessita di una carica supplementare di refrigerante. Per maggiori informazioni rivolgersi al rappresentante Hoshizaki di zona, elencato nel manuale di istruzione.
- Non installare il condensatore a più di 10 m. sopra, o più di 3 m. sotto la cubettatrice, misurati da un apparato all'altro.

Nota: L'inosservanza delle linee di condotta consigliate per l'installazione può influire sulle prestazioni della cubettatrice.

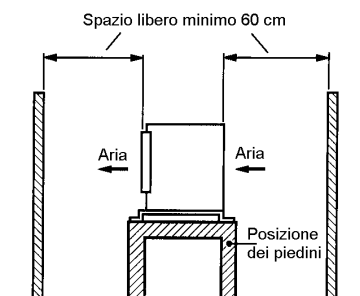


Fig. 6

c) INSTALLAZIONE

- 1) Fissare i piedini sul condensatore con otto bulloni esagonali M8 x 16 mm e dadi M8, come illustrato. V. Fig. 7.

Nota: I piedini vanno posizionati simmetricamente.

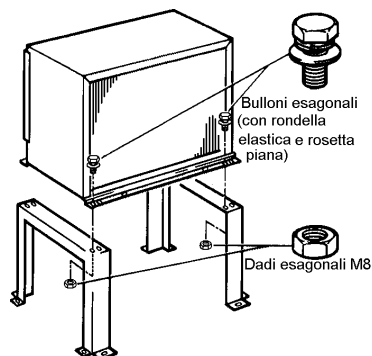


Fig. 7

- 2) Sono previsti otto fori per il montaggio del condensatore sul piano in sito (bulloni esclusi).
- 3) Montare due tubi di rame di lunghezza adatta fra la cubettatrice ed il condensatore. I tubi precaricati sono provvisti di raccordi Aeroquip. Evitare un numero eccessivo di anse o spire, al fine di eliminare sifoni o grinze nei tubi. I tubi devono essere sempre isolati separatamente. V. Fig. 8.

• Per tubi fabbricati in sito è disponibile il kit di connessione "OS-QUICK", reperibile da HOSHIZAKI EUROPE.

• Si consiglia l'utilizzo dei kit di tubi precaricati R-404A, reperibili come accessori opzionali dalla HOSHIZAKI EUROPE.

- 4) Effettuare la prova di tenuta ermetica e lo svuotamento dei tubi fabbricati in sito, prima di collegarli al condensatore ed alla cubettatrice tramite i fori di carica dei raccordi Aeroquip, e di caricarli con vapore frigorigeno R-404A a pressione 1-2 bar.

Nota: I kit di tubi realizzati in fabbrica sono precaricati, e non occorre svuotarli.

- 5) Togliere i cappucci in plastica di protezione dei raccordi. Lubrificare la filettatura dei raccordi e gli O-ring con olio refrigerante pulito adatto a R404A.
- 6) Collegare i raccordi alla cubettatrice ed al condensatore, e serrarli a fondo come segue, dopodiché effettuare un altro ¼ di giro per garantire un buon contatto dei componenti in ottone.

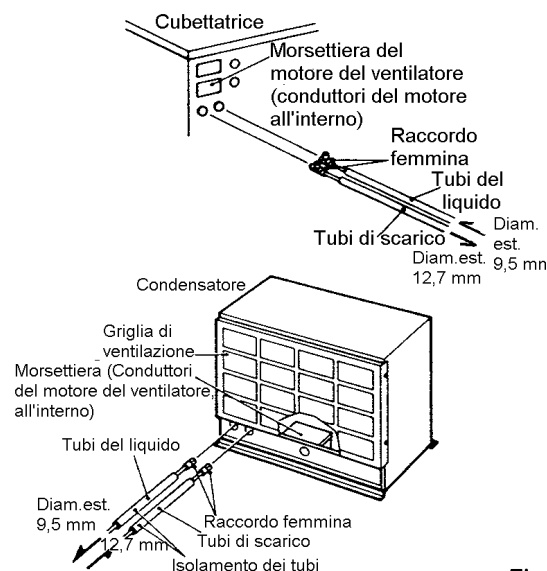


Fig. 8

Tubi per refrigerante di scarico della cubettatrice:
 Tubi diam. est. 12,7 mm a "DIS" sul condensatore
 Tubi per refrigerante liquido della cubettatrice:
 Tubi diam. est. 9,5 mm a "LIQ" sul condensatore

Nota: Prima di effettuare il collegamento, verificare che l'apparecchio, i tubi ed il condensatore contengano lo stesso tipo di refrigerante. Refrigeranti diversi causerebbero un funzionamento irregolare e potrebbero causare danni all'impianto di raffreddamento. Verificare innanzi tutto i collegamenti del condensatore a distanza, poi quelli della cubettatrice.

- Il foro di connessione dell'alimentazione ha un diametro di 22,2 mm per l'inserimento del condotto.
- Se per il collegamento di URC-12F-E alla morsettiera del motore del ventilatore di KM-1300SRH-E viene utilizzato un cavo di alimentazione anziché il condotto, detto cavo deve essere nominale per uso all'aperto. Nel punto d'ingresso del cavo in URC-2F-E utilizzare un anello premistoppa nominale IPX4, a norma.
- Conduttore consigliato: 0,75 mm².
- In linea di massima sono necessari l'assistenza e la certificazione di un elettricista autorizzato.

[d] COLLEGAMENTI ELETTRICI

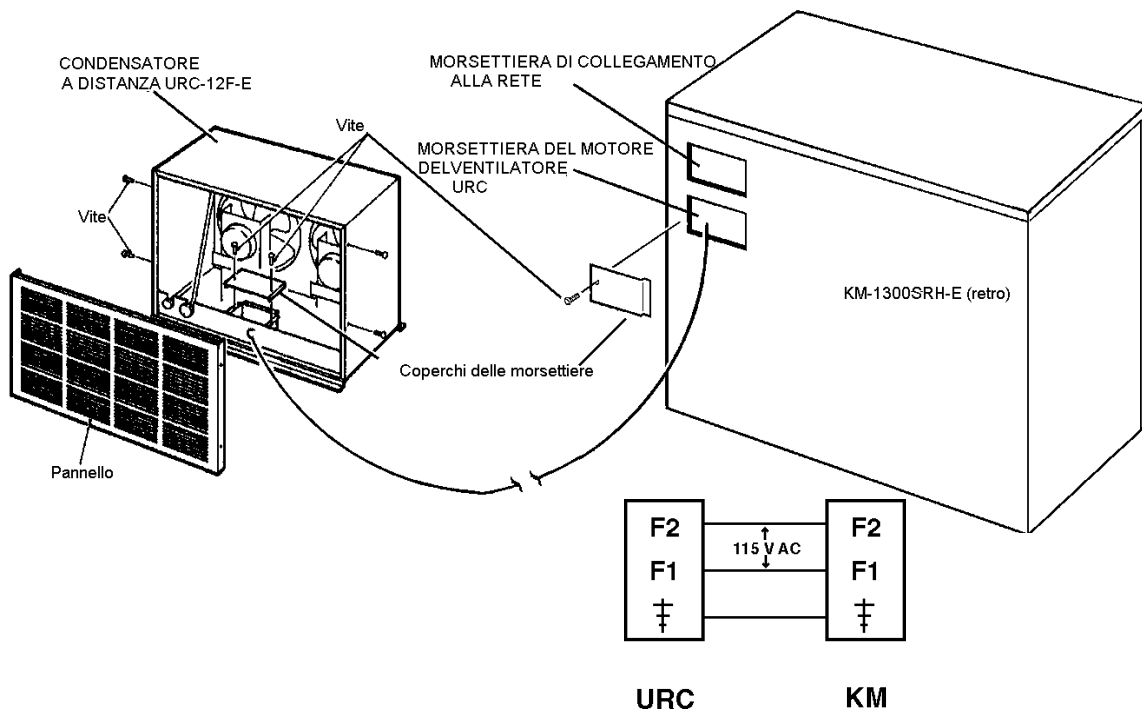
AVVERTENZA

COLLEGARE IL DISTRIBUTORE A UNA PRESA DI TERRA

Questo condensatore a distanza necessita di una presa a terra rispondente alle normative elettriche nazionali e regionali vigenti. Per evitare gravi shock elettrici alle persone e notevoli danni all'impianto, collegare il distributore a una presa di terra con apposito filo. Staccare la spina dalla presa di corrente prima di effettuare qualsiasi intervento di manutenzione, riparazione o pulizia.

- Questo condensatore deve essere collegato alla morsettiera del motore del ventilatore sulla cubettatrice.

- 1) Togliere le quattro viti e la griglia dal condensatore a distanza.
- 2) Togliere le due viti ed il coperchio della morsettiera del condensatore a distanza.
- 3) Togliere la vite ed il coperchio della morsettiera del motore del ventilatore URC dalla cubettatrice.
- 4) Collegare i conduttori del motore del ventilatore nella morsettiera del condensatore a distanza ai conduttori del motore del ventilatore nella morsettiera della cubettatrice raffreddata ad aria a distanza HOSHIZAKI. I motori dei ventilatori in URC-12F-E utilizzano 115V c.a. Non collegare l'URD-12F-E all'alimentazione di rete 230V c.a.



- 5) Montare un conduttore di messa a terra dalla cubettatrice al condensatore a distanza.
- 6) Montare la griglia ed il coperchio della morsettiere nelle posizioni originali.

[e] SOVRAPPOSIZIONE DEL CONDENSATORE

- 1) Fissare con otto bulloni il condensatore inferiore sui piedini.
- 2) Togliere il pannello superiore del condensatore inferiore.
- 3) Collocare il condensatore superiore sopra quello inferiore.
- 4) Fissare il condensatore superiore con le quattro viti del pannello superiore del condensatore inferiore.
- 5) Montare i tubi del refrigerante ed effettuare i collegamenti elettrici di ciascun motore dei ventilatori, come illustrato alle voci [c] e [d].

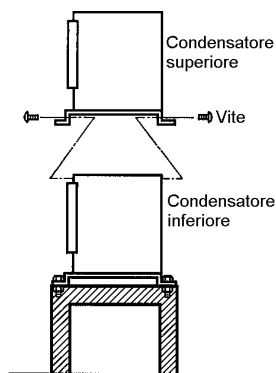


Fig. 10

8. COLLEGAMENTI PER ALIMENTAZIONE E SCARICO ACQUA

AVVERTENZA

Per evitare danni alla pompa, non utilizzare la cubettatrice senza acqua o con pressione inferiore ai 0,7 bar. Non mettere in funzione l'apparecchio senza prima aver raggiunto la giusta pressione dell'acqua.

- Il tubo di alimentazione è da 1/2" con passo gas.
 - È consigliabile installare una valvola di intercettazione e una di scarico sul condotto di alimentazione. È consigliabile altresì utilizzare una valvola a sfera per la valvola di intercettazione. Per utilizzare un altro tipo di valvola occorre predisporre un'imboccatura di dimensioni superiori a quella del condotto di alimentazione per evitare di ridurre il flusso dell'acqua che potrebbe causare un decadimento delle prestazioni di scongelamento e congelamento. Si raccomanda di utilizzare raccordi in rame di 13 mm per il condotto di alimentazione.
 - La pressione dell'acqua di alimentazione deve essere di almeno 0,7 bar e non superare gli 8 bar. Qualora la pressione superi gli 8 bar, usare una valvola di limitazione della pressione. NON agire sul rubinetto dell'acqua.
 - I condotti di scarico della cubettatrice e della vaschetta di deposito sono da 3/4" con passo gas, mentre quello per la condensa è da 10 mm. I collegamenti dei condotti di scarico dell'apparecchio e per la condensa devono essere separati da quelli della vaschetta. Predisporre un'intercapedine per il pozzetto di raccolta in modo da facilitare lo scolo durante il ciclo di raccolta (v. Fig. 11).
 - NON utilizzare guarnizioni in lega per evitare che il riscaldamento dell'apparecchio o della vaschetta possano danneggiare i collegamenti interni.
 - Per favorire lo scolo, i condotti di scarico devono essere dotati di 2 cm di caduta e di 30 cm di corsa orizzontale.
 - Non collegare lo scarico direttamente all'impianto fognario. Lasciare almeno 5 cm di spazio tra la fine del condotto di scarico dell'apparecchio o della vaschetta del ghiaccio e il pozzetto al suolo (v. Fig. 11).
 - Installare l'apparecchio secondo quanto previsto dalle norme vigenti.
 - In alcune zone, potrebbe essere richiesta l'installazione di un dispositivo antiriflusso sul circuito di alimentazione e scarico.
- Utilizzare esclusivamente acqua potabile.
 - Rivolgersi a personale qualificato per il collegamento dell'apparecchio all'impianto idraulico.

KM-1300SAH-E
KM-1300SRH-E

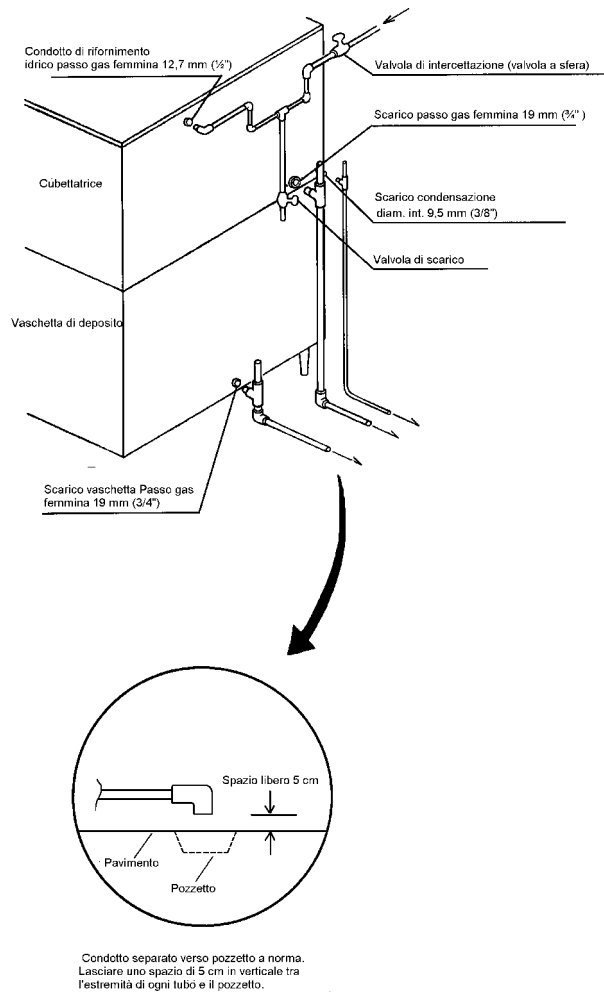


Fig. 11

9. AVVIAMENTO

AVVERTENZA

1. Questa macchina è stato progettato per la produzione di ghiaccio ad uso alimentare. Per l'igiene del distributore si consiglia di:

- Lavarsi le mani prima di togliere il ghiaccio.
- Utilizzare la paletta di plastica in dotazione con gli accessori.
- La vaschetta di deposito deve essere utilizzata solo per il ghiaccio: non depositarvi altro materiale.
- Tenere pulita la paletta di plastica. Pulirla servendosi di un detergente neutro e risciacquare e asciugare.
- Dopo aver tolto il ghiaccio, richiudere lo sportello per prevenire l'accumulo di sporcizia, polvere o insetti nella vaschetta di deposito.

2. L'uso di qualunque dispositivo elettrico prevede l'osservanza di alcune regole fondamentali. In particolare:

- L'elevata umidità accresce il rischio di corto circuiti e di folgorazione. Nel dubbio, togliere l'alimentazione al distributore.
- Non usare l'apparecchio a piedi nudi.
- Non strappare il cavo di alimentazione dalla spina per scollegare il distributore dalla rete.
- Questo dispositivo non è adatto all'uso incustodito da parte di bambini, anziani e invalidi.

3. Tutti i componenti sono tarati in fabbrica. Regolazioni improprie possono produrre guasti e anomalie.

4. In caso di spegnimento, attendere almeno 3 minuti prima di riaccendere il distributore, per evitare danni al compressore.

5. Non utilizzare l'apparecchio in posizione "AVAGGIO" mancando l'acqua nel serbatoio: si danneggerebbe la guarnizione della pompa dell'acqua.

1. Aprire la valvola di intercettazione del tubo di alimentazione.
2. Togliere il pannello frontale.
3. Portare l'interruttore di controllo sul quadro di comando in posizione "GHIACCIO".
4. Rimettere il pannello frontale nella sua posizione originaria.

5. Accendere l'apparecchio e attendere circa 10 minuti fino al riempimento del serbatoio dell'acqua e che l'apparecchio inizi a produrre ghiaccio (v. sul capitolo 10 la sequenza di funzionamento).
- 6) Verificare il rifornimento idrico ed i raccordi di scarico, accertando che non vi siano fuoriuscite.
- 7) Spegnerne l'apparecchio e togliere il pannello frontale.
- 8) Togliere il pannello isolante ed il tappo montato sulla parte anteriore del foro di uscita del ghiaccio, in basso. Scaricare il serbatoio dell'acqua (v. Fig. 12) per eliminare eventuali residui.

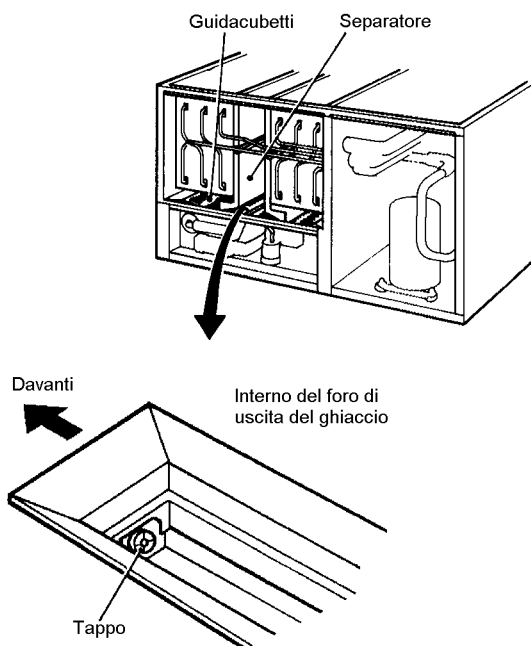


Fig. 12

- 9) Montare il tappo, il pannello isolante ed il pannello anteriore nella loro posizione originaria.
- 10) Pulire la vaschetta di deposito
- 11) Accendere l'apparecchio e avviare la produzione automatica di ghiaccio.
- 12) Attendere il completamento del ciclo di produzione del ghiaccio e di scongelamento.

CONTROLLO DELLA FUNZIONALITÀ DELLA VASCHETTA

1. Senza rimuovere il pannello frontale, togliere le viti a testa zigrinata sul bordo superiore del deflettore del ghiaccio della vaschetta di deposito e farlo ruotare intorno alle cerniere laterali.
2. Collocare del ghiaccio davanti al sensore della vaschetta. L'apparecchio dovrebbe arrestarsi entro 6-10 secondi.
3. Rimettere a posto le viti e chiudere lo sportello della vaschetta.
4. Verificare che l'apparecchio si riavvii.

10. FUNZIONAMENTO

La sequenza delle operazioni di avvio e funzionamento è la seguente:

1. Ciclo di riempimento - 1 minuto

L'apparecchio si avvia sempre con un ciclo di riempimento della durata di un minuto. Dando corrente all'apparecchio, viene attivata la valvola dell'acqua e si avvia il ciclo di riempimento. Dopo un minuto il circuito controlla lo stato della sonda di livello. Se la sonda è chiusa, viene avviato il ciclo di raccolta. In caso contrario, l'apparecchio non si avvierà fino a che non vi sarà acqua a sufficienza nel pozzetto in modo da garantire un livello minimo di sicurezza. La valvola dell'acqua rimarrà attiva per successivi cicli di un minuto finché non vi sia acqua a sufficienza nel pozzetto e non si chiuda la sonda di livello.

2. 1° ciclo di raccolta

Il compressore parte, si apre la valvola dell'aria calda, la valvola dell'acqua rimane aperta e comincia la raccolta. Man mano che l'evaporatore si riscalda, il termistore sulla linea di suzione verifica che raggiunga la temperatura di 9 °C. Al raggiungimento di questa temperatura, il prodotto viene passato al timer di scongelamento del quadro di comando che è preimpostato per il funzionamento in condizioni normali. Il timer è regolabile da 1 a 3 minuti.

3. Ciclo di congelamento

Una volta concluso il ciclo di raccolta, le valvole dell'aria calda e dell'acqua si chiudono e comincia il ciclo di produzione del ghiaccio. Per i primi 5 minuti, la centralina di governo non rileverà alcun segnale proveniente dalla sonda di livello. Quest'intervallo di 5 minuti serve a proteggere l'apparecchio dai cicli ridotti. Al termine di questi 5 minuti, il controllo passa alla sonda di livello. Con l'accumularsi di ghiaccio sull'evaporatore, il livello dell'acqua nel pozzetto diminuisce. Il ciclo di congelamento prosegue finché non si apre la sonda di livello e pone fine alla produzione di ghiaccio.

4. Estrusione

L'apertura della sonda di livello indica il completamento del ciclo di congelamento, per cui comincia il ciclo di raccolta. La valvola dell'aria calda si apre mentre il compressore continua a funzionare. Il timer di scarico comincia il conteggio di 10/20 secondi all'estruzione.

La pompa dell'acqua si arresta per 2 secondi e inverte la fase prelevando acqua dal pozzetto e spingendola contro la valvola di controllo, così che l'acqua attraversi la valvola e giunga al condotto di scarico. Allo stesso tempo l'acqua attraversa il condotto di alimentazione fino a raggiungere la sonda di livello. Appena il timer di scarico cessa il conteggio, l'estruzione è completata.

L'estruzione avviene sempre nel corso del primo ciclo di raccolta dopo il ciclo di congelamento iniziale. Attraverso la centralina di governo è possibile predisporre che l'estruzione avvenga ad ogni ciclo o ogni 2°, 5° o 10° ciclo a partire da questo momento.

5. Ciclo di raccolta normale

La valvola dell'acqua si apre in modo da favorire la produzione. Man mano che l'evaporatore si riscalda, il termistore raggiunge la temperatura di 9 °C. La centralina di governo riceve un segnale dal termistore e avvia il timer di scongelamento. Durante la produzione (o lo scongelamento) la valvola dell'acqua si apre per un massimo di 6 minuti o per la durata del ciclo di raccolta, a seconda del più breve. Al termine del conteggio da parte del timer di scongelamento, termina il ciclo di scongelamento e comincia quello di congelamento successivo.

Le fasi 3., 4. e 5. vengono ripetute in sequenza

finché il sensore nella vaschetta rileva la presenza di ghiaccio e spegne l'apparecchio.

Nota: qualora l'apparecchio non dovesse avviarsi o non dovesse completare un ciclo di funzionamento, rivolgersi al più vicino distributore Hoshizaki.

11. Controlli finali

1. L'apparecchio è in piano?
2. La temperatura ambiente del luogo in cui è situato l'apparecchio è compresa, tutto l'anno, tra i 7 °C e i 40 °C?
3. Ci sono almeno 15 cm di spazio intorno all'apparecchio per permettere eventuali interventi di manutenzione?
4. Sono stati tolti tutto il nastro adesivo, i cartoni e gli altri elementi di imballaggio dall'apparecchio? Le guide della cubettatrice sono in posizione corretta?
5. Sono stati effettuati tutti i collegamenti idrici ed elettrici?
6. Il voltaggio dell'alimentazione è quello indicato sulla targhetta?
7. Sono state installate la valvola di intercettazione e quella di scarico sul canale di alimentazione? La pressione dell'acqua è almeno di 0,7 bar e non superiore agli 8?

Nota: l'apparecchio potrebbe smettere di funzionare in mancanza d'acqua o qualora la pressione dell'acqua dovesse scendere sotto gli 0,7 bar. Al raggiungimento della normale pressione di alimentazione, l'apparecchio riprende automaticamente a funzionare.

8. È stata controllata la tenuta a vibrazioni e cedimenti dei supporti di ancoraggio del compressore e del condotto di refrigerazione?
9. L'interruttore di controllo della vaschetta funziona correttamente?
10. L'utente ha avuto il manuale di istruzione? È stato istruito sul funzionamento dell'apparecchio? È stato informato dell'importanza della manutenzione periodica raccomandata?
11. L'utente ha avuto il nome e il numero di telefono di un centro servizi autorizzato?

BELANGRIJK

1. Voor een veilige en correcte installatie van het product moet eerst dit boekje zorgvuldig worden doorgelezen en moeten de daarin opgenomen instructies worden opgevolgd.
2. Start na installatie de ijsmachine om op abnormaliteiten te controleren en geef de gebruiker instructies over het gebruik en onderhoud van de ijsmachine in overeenstemming met de instructiehandleiding.
3. Dit boekje moet na de installatie overhandigd worden aan de gebruiker en moet door de gebruiker samen met de instructiehandleiding worden bewaard om later te kunnen worden geraadpleegd.

WAARSCHUWING

De installatie moet worden uitgevoerd door hiertoe bevoegd personeel, in overeenstemming met de geldende bepalingen en de instructies van de fabrikant.

1. UITPAKKEN

WAARSCHUWING

Kinderen moeten op veilige afstand van de verpakkingselementen worden gehouden, aangezien plastic zakken en expansiepolystyreen potentieel gevaarlijk zijn.

VOORZICHTIG

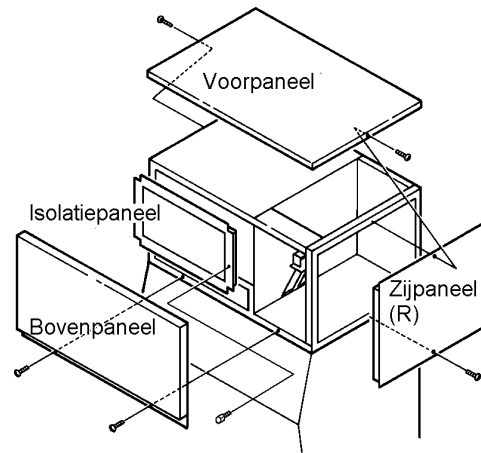
Verwijder alle kartonverpakking, plakband en andere emballage. Wanneer pakmateriaal in de cubelet-ijsmachine achterblijft, zal het apparaat niet goed werken.

- N.B. 1. Bij deze ijsmachine moet een opslagbak worden gebruikt. De aanbevolen opslagbak is de HOSHIZAKI IJSBAK, model B-800.
2. Voor dit model met luchtkoeling op afstand is een HOSHIZAKI AFSTANDS-CONDENSOR, Model URC-12F-E, nodig.

- 1) Nadat de verpakking is verwijderd, moet worden gecontroleerd of de ijsmachine in goede staat verkeert. In geval van twijfel mag u het toestel niet gebruiken maar moet u de hulp inroepen van bevoegd personeel. Raadpleeg het instructieblad dat aan de opslagbak zit voor richtlijnen over het uitpakken en installeren.
- 2) Verwijder de panelen om schade te voorkomen bij het installeren van de ijsmachine. (Zie '2. HET VERWIJDEREN VAN DE PANELEN.')

- 3) Neem de verpakking met de accessoires uit de compressorruimte.
- 4) Verwijder de beschermende plastic laag van de panelen. Als de ijsmachine is blootgesteld aan zon of warmte verwijder de beschermende laag dan als de ijsmachine is afgekoeld.
- 5) Zorg ervoor dat de koelmiddleidingen geen andere leidingen of oppervlakken raken en dat de ventilator onbelemmerd draait.
- 6) Zorg ervoor dat de compressor goed op alle montageblokken staat.
- 7) Controleer het naamplaatje op het achterpaneel en zorg ervoor dat de spanning van de netvoeding overeenkomt met de spanning op het naamplaatje.
- 8) Verwijder de tape waarmee de geleider voor de ijsblokjes vastzit.

2. HET VERWIJDEREN VAN DE PANELEN - Zie Afb. 1



Afb. 1

- a) Voorpaneel..... Verwijder de twee schroeven. Til het op en trek het naar u toe.
- b) Bovenpaneel..... Verwijder de twee schroeven en til het op.
- c) Zijpaneel (R)..... Verwijder de schroef. Trek het enigszins naar u toe en verwijder het.
- d) Isolatiepaneel..... Verwijder de duimschroef. Til het enigszins op en trek het naar u toe.

3. LOCATIE

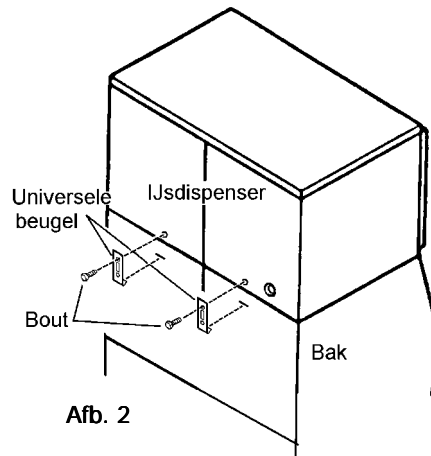
BELANGRIJK

1. Deze ijsmachine is niet bedoeld voor gebruik buitenshuis. Tijdens normaal bedrijf ligt de omgevingstemperatuur tussen 7°C en 40°C en de watertemperatuur tussen 7°C en 35°C. Langdurig gebruik van de ijsmachine buiten deze temperatuurgrenzen kan een nadelig effect op de productiecapaciteit hebben.
2. De ijsmachine mag niet naast ovens, grills of andere warmteproducerende apparatuur worden geplaatst.
3. De locatie moet een vlakke en stevige ondergrond bieden aan het apparaat.
4. Houd voor een goede luchtcirculatie en makkelijk uit te voeren onderhouds- en servicebeurten een ruimte aan van 15 cm rondom het apparaat.
5. Dit apparaat is niet geschikt voor installatie in een ruimte waar een hogedrukreiniger wordt gebruikt of druipen niet is toegestaan.
6. Er mag niets voor het ventilatierooster worden geplaatst.
7. Deze ijsmachine werkt niet in temperaturen beneden het vriespunt. Om schade aan de waterleiding te voorkomen, moet men de ijsmachine leeg laten lopen als de luchttemperatuur tot beneden het vriespunt daalt.

4. INSTALLATIE

- De installatie moet worden uitgevoerd door bevoegd personeel, in overeenstemming met de huidige voorschriften en volgens de instructies van de fabrikant.
 - Door een onjuiste installatie kan schade worden berokkend aan mensen, dieren, de ijsmachine en de plaats van de installatie, en de fabrikant stelt zich daarvoor niet aansprakelijk.
- 1) Pak de opslagbak uit en bevestig de verstelbare poten (accessoire van de bak) aan de onderkant van de opslagbak.
 - 2) Zet de opslagbak op de geselecteerde permanente plaats.
 - 3) Plaats de ijsmachine op de bovenkant van de opslagbak en zorg ervoor dat de pakking aan de bovenkant van de bak niet wordt beschadigd.

- 4) Haal de twee universele beugels en bouten om de ijsdispenser aan de bak vast te maken uit het accessoirepakket. (Zie fig. 2).

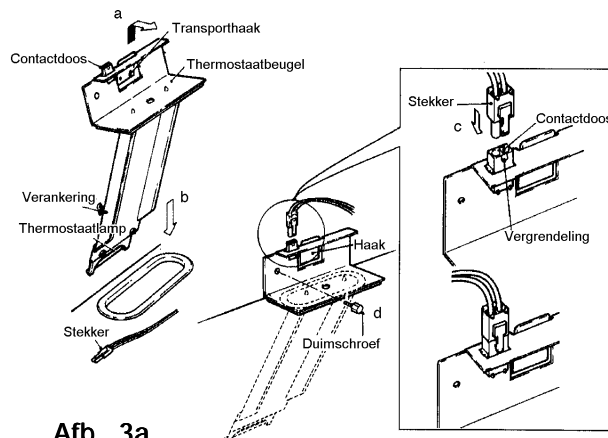


Afb. 2

VOORZICHTIG

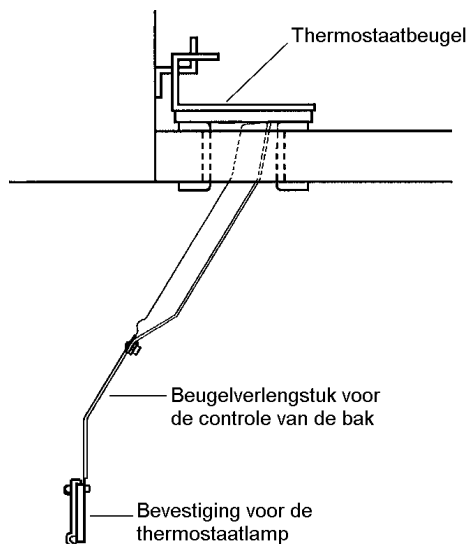
Voordat de ijsdispenser in gebruik genomen wordt, moet de controlethermostaat van de bak goed geïnstalleerd zijn.

- 5) Installeer de controlethermostaat van de bak als volgt. Zie fig. 3a en 3b.
 - (a) Verwijder de verankering die de thermostaat en de beugel vasthoudt. Verwijder de thermostaat en de beugel van de transporthaak door ze op te lichten en naar rechts te schuiven.
 - (b) Laat de thermostaatbeugel door het gat in de bodem van de ijsdispenser zakken.
 - (c) Steek de stekker in de contactdoos op de beugel totdat deze vastklikt.
 - (d) Zet de thermostaatbeugel vast met de twee duimschroeven.



Afb. 3a

- (e) Haal het beugelverlengstuk voor de controle van de bak uit het accessoirepakket.
- (f) Haal de ijsdeflector uit de bak.
- (g) Verwijder de twee schroeven waarmee de bevestiging voor de thermostaatlamp vastzit aan het eind van de thermostaatbeugel.
- (h) Gebruik deze twee schroeven om het beugelverlengstuk voor de controle van de bak te bevestigen aan de thermostaatbeugel.
- (i) Gebruik de twee 4x10 roestvrijstalen schroeven in het accessoirepakket om de bevestiging voor de thermostaatlamp te bevestigen aan het uiteinde van het beugelverlengstuk voor de controle van de bak.
- (j) Installeer de ijsdeflector weer in de bak.



Afb. 3b

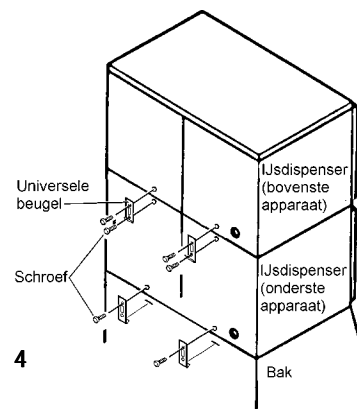
- 6) Maak de ijsdispenser/opslagbak waterpas, zowel van links naar rechts als van voor naar achter, door de pootjes van de bak af te stellen met een sleutel.
- 7) Zet de panelen weer op hun plaats.

5. HET STAPELEN VAN TWEE IJSDISPENSERS

- Zie fig. 4 & 5

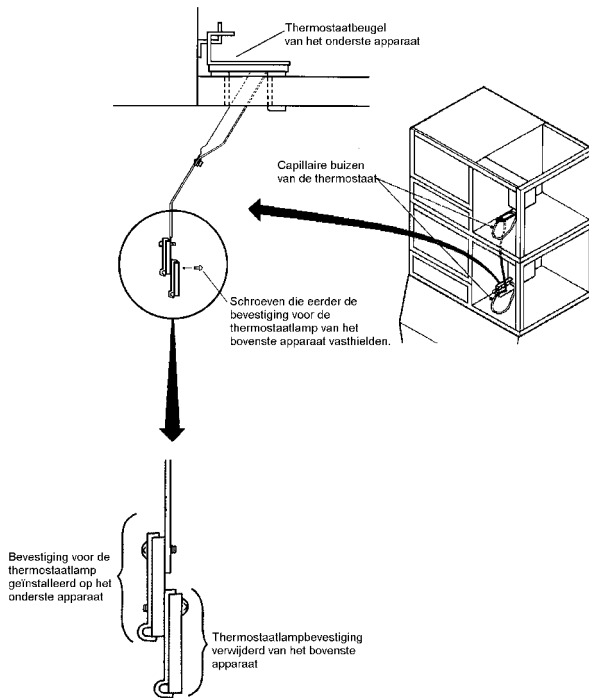
- 1) Werk hoofdstuk 4 (INSTALLATIE) af voor het onderste apparaat.

- 2) Verwijder het bovenpaneel en de bovenste isolatie van het onderste apparaat. Beiden zijn niet meer nodig als de tweede ijsdispenser geïnstalleerd wordt.
- 3) Pak de tweede ijsdispenser uit (bovenste apparaat), en verwijder al het transportmateriaal, (plak)band en verpakking.
- 4) Verwijder de panelen van de tweede ijsdispenser.
- 5) Stapel het bovenste apparaat boven op het onderste apparaat.
- 6) Haal de twee universele beugels en vier schroeven uit het accessoirepakket van het bovenste apparaat om de twee apparaten aan elkaar vast te maken.



Afb. 4

- 7) Verwijder de bevestiging voor de thermostaatlamp van de thermostaatbeugel van het bovenste apparaat.
- 8) Leid de capillaire buizen van de controlethermostaat van de bak van het bovenste apparaat door het gat in de bodem van het bovenste apparaat en zo in het onderste apparaat en dan door het gat in de bodem van het onderste apparaat in de bak. Bevestig het thermostaatlampje van het bovenste apparaat, samen met de bevestiging, aan dat van het onderste apparaat met de schroeven die eerder uit het bovenste apparaat zijn verwijderd. (zie Fig. 5)
- 9) Steek de stekker van het bovenste apparaat in de contactdoos van het bovenste apparaat op de beugel totdat deze vastklikt.
- 10) Zet de thermostaatbeugel op zijn plaats vast met behulp van de twee duimschroeven.
- 11) Zet de panelen van beide machines weer op hun plaats.



Afb. 5

6. ELEKTRISCHE AANSLUITINGEN

WAARSCHUWING

DIT APPARAAT MOET WORDEN GEARD

Deze cubelet-ijsmachine vereist aarding die voldoet aan de landelijke en plaatselijke elektriciteitsvoorschriften. Om het persoonlijk gevaar van een zware elektrische schok en ernstige beschadiging van de apparatuur te voorkomen, moet een geschikte aardingsdraad aan de cubelet-ijsmachine worden bevestigd. Haal de stekker uit het stopcontact voordat wordt begonnen met onderhouds-, reparatie- of schoonmaakwerk.

- Deze ijsmachine moet worden aangesloten op een aparte voedingsbron of contactdoos van de juiste capaciteit. Zie het naamplaatje. Het wordt aanbevolen om de ijsmachine niet op hetzelfde stroomcircuit als andere elektrische apparaten aan te sluiten.
- Gestapelde ijsdispensers dienen elk hun eigen contactdoos te hebben, maar zij moeten allemaal parallel zijn aangesloten op dezelfde eenfase voedingsbron of circuit met toereikend amperage.
- De opening voor de voedingsbron heeft een diameter van 22,2mm zodat er een elektriciteitsbuis op past.

- Indien een voedingskabel wordt gebruikt voor de toevoer van elektriciteit naar de ijsdispenser in plaats van de permanente aansluiting (electriciteitsbuis), dan moet er op de 22,2 mm grote voedingsbronaansluiting een drukring worden geplaatst. Deze drukring dient van de juiste afmeting te zijn voor de voedingskabel die geïnstalleerd wordt. De maat van de stroomdraden dient geschikt te zijn voor het elektriciteitsverbruik van deze ijsdispenser.

Aangezien de kleuren van de draden in de voedingskabel van dit apparaat een andere kleur kunnen hebben dan de kleuridentificaties van de klemmen in uw stekker, moet als volgt te werk worden gegaan:

De geelgroene draad moet worden aangesloten op de klem in de stekker die is gemerkt met de letter E of het symbool \equiv dan wel groen of groengeel is gekleurd. De blauwe draad moet worden aangesloten op de klem die is gemerkt met de letter N, of zwartgekleurd is. De bruine draad moet worden aangesloten op de klem die is gemerkt met de letter L, of roodgekleurd is.

- Voor de elektrische aansluiting van de URC-12F-E afstandscondensator op de ventilatiemotoraansluiting van de KM-1300SRH-E, wordt een IPX4-elektriciteitsbuis aanbevolen. Indien een voedingskabel wordt gebruikt, dient de kabel zelf geschikt te zijn voor gebruik buitenshuis en moet er een IPX4-drukring gebruikt worden op de plaats waar het snoer de afstandscondensator, model URC-12F-E, binnengaat.

- Doorgaans is een elektriciteitsvergunning vereist en moet gebruik worden gemaakt van de diensten van een bevoegde elektricien.

7. INSTALLATIE VAN DE AFSTANDS-CONDENSATOR (Uitsluitend model met luchtkoeling op afstand)

(a) UITPAKKEN

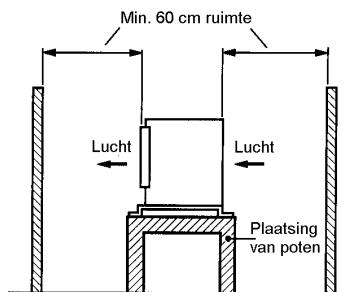
- 1) Verwijder het transportmateriaal, plakband en verpakking.
- 2) Zorg ervoor dat de koelmiddelleidingen geen andere leidingen of oppervlakken raken en dat de ventilator onbelemmerd draait.

(b) PLAATSEN

De condensator is bestemd voor gebruik buitenshuis en moet geplaatst worden op een permanente, goed geventileerde plaats volgens de volgende richtlijnen:

- Kies een vlakke en stevige ondergrond.
- Het apparaat mag niet blootgesteld worden aan zware weersomstandigheden.
- Aanbevolen wordt een droge en goed geventileerde plek te kiezen met 60cm ruimte aan zowel de voor- als achterkant, om eventueel onderhoud te vergemakkelijken.
- De normale omgevingstemperatuur voor de condensator ligt tussen de -28°C en +50°C. Temperaturen buiten deze grenzen kunnen een nadelig effect op de productiecapaciteit van de ijsdispenser hebben.
- De maximale lengte voor de leiding voor een reguliere koelmiddellading is 20 meter.
- De absoluut maximale lengte voor de leiding is 30 meter, maar dan is wel een extra koelmiddellading vereist. Neem voor meer informatie contact op met het dichtstbijzijnde Hoshizaki kantoor dat u vinden kunt in de gebruikershandleiding.
- De condensator dient zo geïnstalleerd te worden dat hij niet meer dan 10 meter boven de ijsdispenser uitsteekt of meer dan 3 meter eronder zit, gemeten van bevestiging tot bevestiging.

NB: Als niet aan de aanbevolen richtlijnen voor de installatie wordt voldaan, kan dit een nadelig effect op de werking van de ijsdispenser hebben.

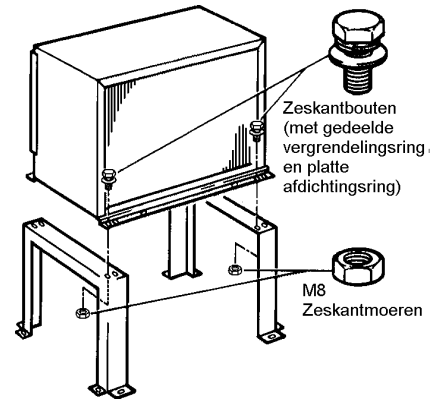


Afb. 6

[c] INSTALLATIE

- 1) Bevestig de poten aan de condensator met behulp van acht M8x16mm zeskantbouten en M8 moeren zoals aangegeven in de tekening. Zie fig. 7.

NB: Plaats de poten symmetrisch.



Afb. 7

- 2) Er zijn acht montagegaten aangebracht om de condensator op de ondergrond te bevestigen (bouten worden niet meegeleverd).

- 3) Installeer voldoende lengte van de twee koperen buizen tussen de ijsdispenser en de condensator. Voorgevulde buizen zijn voorzien van Aeroquip koppelingen. Vermijd overmatige lussen en kronkels om te voorkomen dat de olie kan blokkeren of de buis kan beschadigen. Beide buizen dienen altijd apart geïsoleerd te worden. Zie fig. 8.

- Een aansluitingspakket "OS-QUICK" is verkrijgbaar voor door gebruiker vervaardigde leidingen bij HOSHIZAKI EUROPE.
- Het R-404A pakket voorgevulde buizen, eveneens verkrijgbaar als extra materiaal bij HOSHIZAKI EUROPE, wordt aanbevolen.

- 4) Door gebruiker vervaardigde leidingen dienen op lekkage te worden getest en te worden leeggepompt voor aansluiting op de ijsdispenser/condensator via de ladingspoorten op de Aeroquip koppelingen, en te worden gevuld met R-404A koelmiddeldampen tot een druk van 15-30PSIG (1-2 bar).

NB: In de fabriek vervaardigde buispakketten zijn voorgevuld en hoeven niet te worden leeggepompt.

- 5) Verwijder de plastic kapjes die de koppelingen beschermen. Smeer de schroefdraad van de koppelingen en de o-ringen in met een schone koelmiddelolie die geschikt is voor R404A.
- 6) Bevestig de koppelingen en draai ze stevig aan op de ijsdispenser en de condensator zoals aangegeven, totdat zij op hun laagste stand zitten. Draai ze nog een kwart slag verder zodat er een goed koper-op-koper contact is.

Uitstoot koelmiddelleiding ijsdispenser:

Leiding met buitendiameter van 1/2 inch naar "DIS" van condensor

Vloeibaar-koelmiddelleiding ijsdispenser:

Leiding met buitendiameter van 3/8 inch naar "LIQ" van condensor

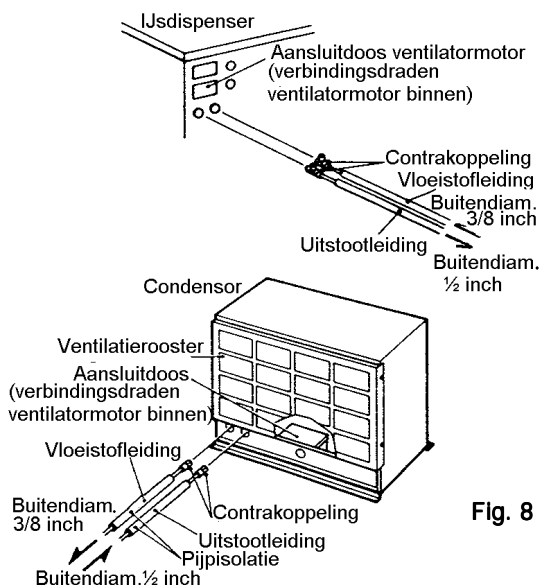


Fig. 8

NB: Zorg ervoor dat het apparaat, de leidingen en de condensor hetzelfde soort koelmiddel bevatten, voordat alles aangesloten wordt. Indien verschillende soorten koelmiddel zich vermengen, zal het apparaat niet goed functioneren en kan het koelsysteem beschadigd worden. Maak eerst de verbindingen op de afstandscondensor en dan op de ijsdispenser.

7) Test de koppelingsnaden grondig op lekkage.

[d] ELEKTRISCHE AANSLUITINGEN

WAARSCHUWING

DIT APPARAAT MOET GEARD WORDEN

Voor deze afstandscondensor is een aardaansluiting nodig die voldoet aan de landelijke en plaatselijke elektriciteitsvoorschriften. Om eventueel schokgevaar of ernstige beschadiging van de apparatuur te voorkomen, moet een geschikte aardingsdraad aan de ijsdispenser worden bevestigd. Haal de stekker uit het stopcontact voordat wordt begonnen met onderhouds-, reparatie- of schoonmaakwerk.

- Deze condensor moet worden aangesloten op de aansluitdoos van de ventilatormotor op de ijsdispenser.

- De opening voor de voedingsbron is 22,2 mm, zodat er een elektriciteitsbuis op past.

- Indien in plaats van de elektriciteitsbuis een voedingskabel wordt gebruikt om de URC-12F-E aan te sluiten op de aansluitdoos van de ventilatormotor van de KM-1300SRH-E, dan dient deze kabel geschikt te zijn voor gebruik buitenshuis. Aan de ingang van de URC-12F-E, dient een geschikte IPX4-drukkring gebruikt te worden waar de kabel de URC-12F-E binnenkomt.

- De aanbevolen maat van de stroomdraden is .75 mm².

- Doorgaans is een elektriciteitsvergunning vereist en moet gebruik worden gemaakt van de diensten van een bevoegde elektricien.

1) Verwijder de vier schroeven en het paneel van de afstandscondensor.

2) Verwijder de twee schroeven en het paneel van de aansluitdoos op de condensor op afstand.

3) Verwijder de schroef en het paneel van de URC aansluitdoos van de ventilatiemotor op de ijsdispenser.

4) Verbind de draden van de ventilatormotor in de aansluitdoos van de afstandscondensor met de draden van de ventilatormotor in de aansluitdoos van de HOSHIZAKI ijsdispenser met luchtkoeling op afstand. De ventilatormotoren van de URC-12F-E werken op 115V wisselstroom. Sluit de URC-12F-E niet aan op de 230V netstroomvoeding.

5) Installeer een aardedraad van de ijsdispenser naar de afstandscondensor.

6) Zet de panelen weer op hun plaats.

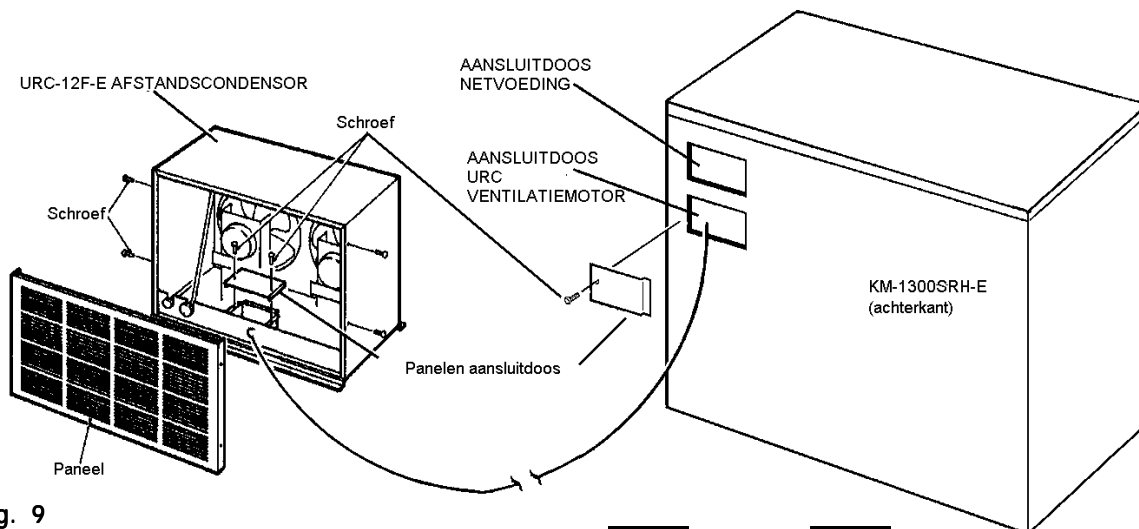
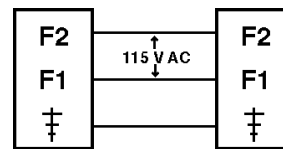


Fig. 9



URC

KM

[d] HET STAPELEN VAN DE CONDENSOR

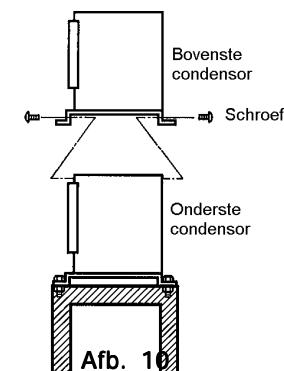
- 1) Bevestig de onderste condensor op de poten met behulp van acht moerbouten.
- 2) Verwijder het bovenpaneel van de onderste condensor.
- 3) Plaats de bovenste condensor boven op de onderste.
- 4) Bevestig de bovenste condensor met de vier schroeven van het bovenpaneel van de onderste condensor.
- 5) Installeer de koelmiddelleidingen, en maak de elektrische aansluitingen voor elke ventilatormotor zoals beschreven in onderdeel (c) en (d).

8. AANSLUITINGEN VOOR WATERTOEFVOER EN -AFVOER - Zie Afb. 11

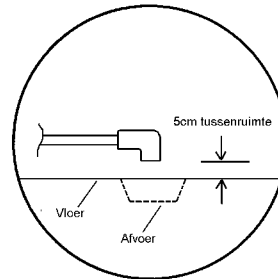
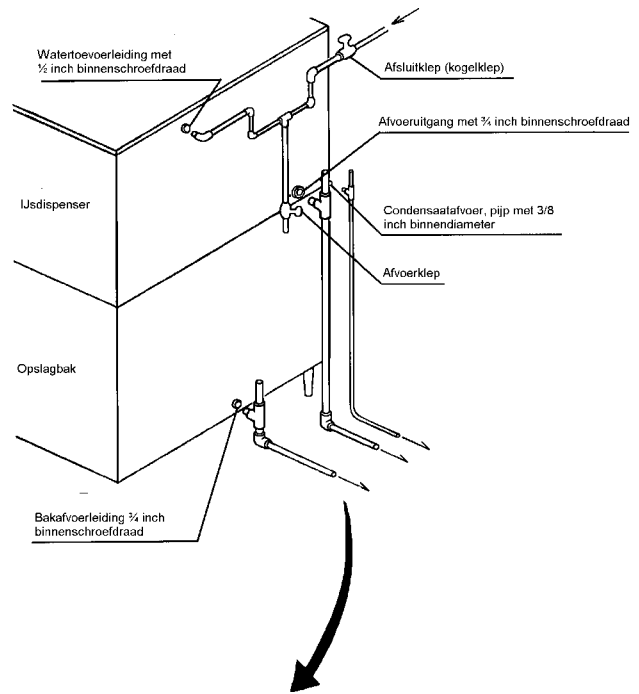
WAARSCHUWING

Om schade aan de pompinrichting te voorkomen, mag de ijsmachine niet worden gebruikt als de waterleiding is afgesloten of als de druk minder is dan 0,7 bar. Stel de ijsmachine pas in werking als de juiste waterdruk is bereikt.

- Er mag uitsluitend drinkwater voor deze ijsmachine worden gebruikt.
- De aansluiting op de waterleiding moet door een bevoegde beroepspersoon worden gedaan.
- De toevoer heeft een 1/2 inch binnendraad.
- Er moeten een afsluitklep en een afvoerklep in de waterleiding worden geïnstalleerd. Voor de afsluitklep is een kogelklep aanbevolen. Als er geen kogelklep wordt gebruikt, mag de opening daarvan niet kleiner zijn dan de binnendiameter van de waterleiding, aangezien dit een verminderde waterstroom kan veroorzaken, hetgeen kan leiden tot problemen bij ontdooien en vriezen. Voor de waterleiding wordt een koperen buis met een minimum buitendiameter van 13 mm. aanbevolen.



- De druk van de waterleiding moet minimaal 0,7 bar en maximaal 8 bar zijn. Als de druk hoger is dan 8 bar, moet er een druk-verminderende klep worden gebruikt. Draai NIET de kraan een beetje dicht.
- De afvoer van de opslagbak van de ijsmachine heeft een 3/4 inch binnendraad. De afvoer voor het condensaat is een pijp met een binnendiameter van 10mm. De aansluitingen voor de afvoer van de ijsmachine en de condensor moeten apart blijven van de afvoer van de bak. De afvoer van de vergaarbak moet voldoende ontluicht zijn om voor een afdoende stroom te zorgen tijdens de oogstcyclus (zie Afb. 11).
- Gebruik geen aansluitingen van het soldeertype aangezien de vrijkomende warmte schade tot gevolg kan hebben aan de interne aansluitingen in de ijsmachine/bak.
- Voor een goede doorstroming moeten de horizontale delen van de afvoerleidingen een afloop hebben van 2 cm. per 30 cm.
- De afvoerleidingen mogen niet direct op de riolering worden aangesloten. Er moet verticaal een tussenruimte van minimaal 5 cm. zijn tussen het eind van de afvoerpijp van de ijsmachine of de opslagbak en de afvoer in de vloer (zie Afb. 11).
- Deze ijsmachine moet in overeenstemming met de nationale, provinciale en lokale voorschriften worden geïnstalleerd.
- In sommige gebieden moet het koelwatercircuit beveiligd zijn tegen terugstromen.



Aparte pijpleiding naar goedgekeurde afvoer. Zorg voor een verticale tussenruimte van 5 cm tussen de einden van elke leiding en de afvoer.

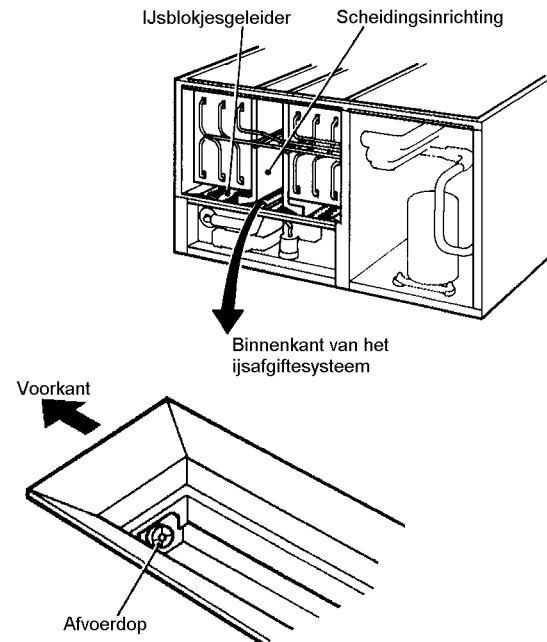
Afb. 11

11. OPSTARTEN

WAARSCHUWING

1. Deze ijsmachine is ontworpen voor de productie van consumptie-ijs. Om de hygiëne van het apparaat op een hoog niveau te handhaven:
 - Was uw handen voordat u het ijs eruit haalt.
 - Gebruik de meegeleverde plastic lepel (accessoire).
 - De opslagbak mag uitsluitend voor ijs worden gebruikt. Gebruik hem niet voor iets anders.
 - Gebruik de ijsmachine niet als u op blote voeten loopt.
 - Houd de lepel schoon. Maak hem schoon met een neutraal reinigingsmiddel en spoel hem grondig af.
 - Sluit de deur nadat er ijs is uitgehaald om te voorkomen dat er vuil, stof en insecten in de opslagbak komen.
2. Gebruik van elektrische apparatuur brengt met zich mee dat bepaalde fundamentele regels in acht moeten worden genomen, met name:
 - Een hoge vochtigheidsgraad doet het risico van kortsluiting en elektrische schokken toenemen. Bij twijfel moet de stekker van de ijsmachine eruit worden gehaald.
 - Trek nooit aan het snoer om de stekker van de ijsmachine uit het stopcontact te halen.
 - Dit apparaat is niet geschikt voor gebruik zonder toezicht door jonge kinderen, bejaarden of gehandicapten.
3. Alle onderdelen kennen een fabrieksinstelling. Verkeerd bijstellen kan leiden tot storing.
4. Na uitschakeling moet tenminste 3 minuten worden gewacht voordat het apparaat weer in bedrijf kan worden genomen, ten einde beschadiging van de compressor te voorkomen.
5. Gebruik het toestel nooit in de 'SPOEL' stand als er geen water in de tank zit aangezien dit schade aan de waterpompafdichting veroorzaakt.

- 3) Zet de bedieningsschakelaar op het bedieningspaneel in de 'IJS'-stand.
- 4) Zet het voorpaneel weer op zijn plaats.
- 5) Zet de stroom aan en laat de watertank vollopen met water en laat de ijsmachine in totaal 10 minuten draaien (zie 8 voor de volgorde van werking).
- 6) Controleer de watertoevoer- en afvoeraan-sluitingen op lekkage.
- 7) Schakel de stroom uit en verwijder het voorpaneel.
- 8) Verwijder het isolatiepaneel. Verwijder de afvoerdop voorop de onderkant van het ijsafgiftesysteem. Laat de watertank leeglopen om eventueel los vuil weg te spoelen. Zie Fig. 12.



Afb. 12

- 1) Open de afsluitklep van de waterleiding.
- 2) Verwijder het voorpaneel.
- 9) Zet de afvoerdop, het isolatiepaneel en het voorpaneel weer op hun plaats.
- 10) Maak de opslagbak schoon.
- 11) Zet de stroom aan en start het automatisch ijsproductieproces.
- 12) Wacht totdat er een complete cyclus van ijsproductie en ontdooien is afgewerkt.

CONTROLE VAN DE BAK

- 1) Met de voorpaneel op zijn plaats, verwijder de duimschroeven langs de bovenkant van de ijsdeflector van de opslagbak en laat hem langs de bevestigingsmiddelen aan de zijkant scharnieren.
- 2) Houd een beetje ijs tegen het controlelampje van de bak. De ijsmachine moet binnen 6 tot 10 seconden stoppen.
- 3) Breng de duimschroeven weer aan en sluit de deur van de bak.
- 4) Controleer of de ijsmachine weer start.

10. WERKING

De volgorde van opstarten en werking kent de volgende stappen:

1) Vulcyclus van 1 minuut

Het toestel start altijd met een vulcyclus van een minuut. Als het toestel wordt aangezet, wordt de waterklep geactiveerd en begint de vulperiode. Na 1 minuut controleert het paneel of de vlotterschakelaar is gesloten. Als de vlotterschakelaar is gesloten, begint de oogstcyclus. Zoniet, dan wacht het toestel totdat er voldoende water in de vergaarbak zit. Als er niet voldoende water in de vergaarbak zit, treedt het toestel dus niet in werking. De waterklep blijft geactiveerd met extra vulcycli van 1 minuut totdat er voldoende water in de vergaarbak zit en de vlotterschakelaar sluit.

2) 1^{ste} oogstcyclus

De compressor start, de klep voor het hete gas opent, de waterkraan blijft open en de oogst begint. Bij het warmer worden van de afdampinstallatie controleert de thermistor die op de zuigleiding zit op een temperatuur van 9°C. Als de 9°C is bereikt, wordt de oogstcyclus verder bestuurd door de regelbare ontdooi-timer op het bedieningspaneel, die in de fabriek is ingesteld op normale omstandigheden. Met deze regelaar kan de ontdooi-timer worden ingesteld op 1 t/m 3 minuten.

3) Vriescyclus

Nadat de oogstcyclus is beëindigd door de timer, sluiten de kleppen voor het hete gas en het water en begint de ijsproductiecyclus. Gedurende de eerste 5 minuten accepteert het bedieningspaneel geen signaal van de vlotterschakelaar. Deze minimum vriesperiode van 5 minuten dient als beveiliging tegen korte cycli. Aan het eind van de 5 minuten neemt de vlotterschakelaar de bediening over.

Naarmate er zich ijs ophoopt op de afdampinstallatie, daalt het peil in de vergaarbak. Het bevroren gaat door totdat de vlotterschakelaar opent en de ijsproductie wordt beëindigd.

4) Uitpompen bij oogst

Als de vlotterschakelaar opent en de voltooiing van de friescyclus aangeeft, begint de oogstcyclus. De klep voor het hete gas opent en de compressor blijft draaien. De afvoer-timer begint met het aftellen van de 10/20 seconden voor het uitpompen.

De waterpomp stopt 2 seconden en draait dan de andere kant op, om het water uit de onderkant van de vergaarbak te zuigen en druk te zetten op de zitting van de keerklep. Hierdoor kan het water door de keerklep naar de afvoer stromen. Tegelijkertijd stroomt er water door de kleine slang om de vlotterschakelaar met kracht te spoelen. Als de afvoer-timer ophoudt met aftellen, is de uitpompcyclus voltooid.

Het uitpompen gebeurt altijd bij de eerste oogst na de aanvankelijke vriescyclus. Via het bedieningspaneel kan bij elke cyclus om uitpompen worden gevraagd, of bij elke 2^{de}, 5^{de} of 10^{de} cyclus vanaf dat punt.

5) Normale oogstcyclus

De waterklep opent zodat het water bij het oogsten kan helpen. Naarmate de afdampinstallatie op temperatuur komt, bereikt de thermistor 9°C. Het bedieningspaneel ontvangt het signaal van de thermistor en start de ontdooi-timer. De waterklep is tijdens de oogst (ontdooien) maximaal 6 minuten, of voor de duur van de oogst (en wel de kortste van de twee), open. Als de ontdooi-timer klaar is met aftellen, is de ontdooicyclus voltooid en begint de volgende vriescyclus.

Het toestel vervolgt de procedure van 3), 4) en 5) totdat in de bak ijs wordt waargenomen en het toestel automatisch afslaat.

N.B. Als de ijsmachine geen cyclus begint of afmaakt, vraag dan uw dichtstbijzijnde Hoshizaki dealer om hulp.

11. EINDCONTROLE

- 1) Staat de ijsmachine waterpas?
- 2) Staat de ijsmachine op een plaats waar de omgevingstemperatuur het hele jaar door tussen de 7°C en de 40°C blijft?
- 3) Is er minimaal 15 cm vrije ruimte rond de ijsmachine voor onderhoud en reparatie?
- 4) Is de ijsmachine ontdaan van alle tape, verpakking en karton: zitten de geleiders voor de ijsblokjes op de juiste plaats?
- 5) Zijn alle kabels en leidingen op de juiste manier aangesloten?
- 6) Klopt de spanning van de netvoeding met de gegevens op het naamplaatje?
- 7) Zijn de afsluitklep en de afvoerlep aangebracht op de waterleiding? Is de druk van de waterleiding gecontroleerd op een minimum van 0,7 bar en een maximum van 8 bar?

N.B.: De ijsmachine kan stoppen met draaien als de waterleiding is afgesloten, of als de druk minder is dan 0,7 bar. De ijsmachine gaat weer draaien zodra de vereiste waterdruk is bereikt.

- 8) Zijn de ankerbouten en koelmiddellijnen gecontroleerd op trilling en mogelijke defecten?
- 9) Is gecontroleerd of de controleschakelaar van de bak goed werkt?
- 10) Heeft de eindgebruiker de instructiehandleiding ontvangen en is hij geïnstrueerd in het gebruik van de ijsmachine en het belang van het aanbevolen periodieke onderhoud?
- 11) Heeft de eindgebruiker de naam en het telefoonnummer ontvangen van een geautoriseerd onderhoudsbedrijf?