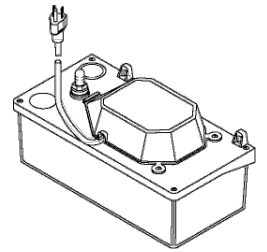




# Condensate Unit

Please read and save these instructions. Read carefully before attempting to assemble, install, operate or maintain the product described. Protect yourself and others by observing all safety information. Failure to comply with instructions could result in personal injury and/or property damage! Retain instructions for future reference.



## Operating Instructions WCP85

### Description

A condensate unit removes condensation from air conditioning and high efficiency furnaces. The compact design of the unit consists of a 3/8" ID discharge and 6 ft. long power cord. The unit also contains a safety switch to automatically shut off pump in the event of a failure.

### Unpacking

Inspect this unit before it is installed. Occasionally, products are damaged during shipment. If the pump or components are damaged, return the unit to the place of purchase for replacement. Failure to do so could result in serious injury or death.

**NOTICE** This pump is not designed to handle salt water, brine, laundry discharge, or any other application which may contain caustic chemicals and/or foreign materials. Pump damage could occur if used in these applications and will void warranty. Use for clear water application only.

### Safety Guidelines

This manual contains information that is very important to know and understand. This information is provided for SAFETY and to PREVENT EQUIPMENT PROBLEMS. To help recognize this information, observe the following symbols.

**ADANGER** Danger indicates an imminent hazardous situation which, if not avoided, will result in death or serious injury.

**AWARNING** Warning indicates a potentially hazardous situation which, if not avoided, could result in death or serious injury.

**CAUTION** Caution indicates a potentially hazardous situation which, if not avoided, MAY result in minor or moderate injury.

**NOTICE** Notice indicates important information, that if not followed, may cause damage to equipment.

### General Safety Information

1. Know the pump application, limitations, and potential hazards.

**AWARNING** Do not use to pump flammable or explosive fluids such as gasoline, fuel oil, kerosene, etc. Do not use in flammable and/or explosive atmospheres. Use pump only with liquids compatible with pump component materials. Failure to follow this warning can result in personal injury and/or property damage.



2. Make certain that the power supply conforms to the requirements of the unit.

**ADANGER** Disconnect power before servicing. If the power disconnect is out of sight, lock



in the open position and tag it to prevent unexpected application of power. Failure to do so could result in fatal electrical shock!

3. Release all pressure within the system before servicing any component.
4. Drain all liquids from the system before servicing.
5. Secure the discharge line before starting the pump. An unsecured discharge line will whip, possibly causing personal injury and/or property damage.
6. Check hoses for weak and worn condition before each use, making certain that all connections are secure.
7. Periodically inspect the pump and system components. Perform routine maintenance as required (See Maintenance Section).
8. Provide a means of pressure relief for pumps whose discharge line can be shut-off or obstructed.
9. Personal Safety:
  - a. Wear safety glasses at all times when working with pumps.
  - b. Keep work area clean, uncluttered and properly lighted;

### Specifications

Power supply requirements	120V, 60 Hz, 1 phase
Motor duty	Intermittent
Liquid temperature range	.40°F to 125°F
Max. operating position	.45° from vertical
Dimensions	.10" X 5" X 4-3/4"
Discharge	.3/8" ID
Power cord	.6' 3 conductor with ground
Reservoir	.2 quart plastic

**REMINDER:** Keep your dated proof of purchase for warranty purposes! Attach it to this manual or file it for safekeeping.

## General Safety Information (Continued)

replace all unused tools and equipment.

- c. Keep visitors a safe distance from the work area. Make workshop child-proof with padlocks, master switches, and by removing starter keys.
10. When wiring an electrically driven pump such as this, follow all electrical and safety codes, as well as the most recent National Electrical Code (NEC) and the Occupational Safety and Health Act (OSHA).

### **AWARNING**

**Risk of electric shock! Never connect the green (or green and yellow) wire to a live terminal!**

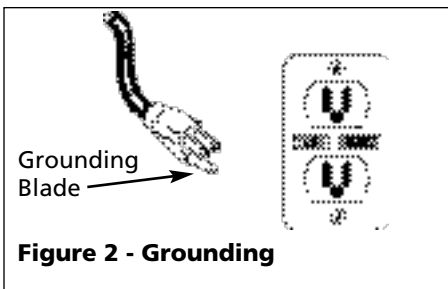


11. This equipment is only for use on 120 volt (single-phase) and is equipped with an approved 3-conductor cord and 3-prong, grounding-type plug as shown in Figure 2.

To reduce the risk of electric shock, the motor must be securely and adequately grounded. This can be accomplished by inserting plug directly into a properly installed and grounded 3-prong, grounding-type receptacle (as shown in Figure 2).

### **AWARNING**

**Risk of electrical shock! This pump is supplied with a grounding conductor and grounding type attachment plug. Use a grounded receptacle to reduce the risk of fatal electric shock.**



**Figure 2 - Grounding**

**Never cut off the round grounding prong. Cutting the cord or prong**

**will void the warranty and make the pump inoperable.**

Where a 2-prong wall receptacle is encountered, it must be replaced with a properly grounded 3-prong receptacle installed in accordance with the NEC and local codes and ordinances.

12. All wiring should be performed by a qualified electrician.
13. It is strongly recommended that this unit is plugged into a Ground Fault Circuit Interrupter (GFCI). Consult a local electrician for installation and availability.
14. Protect electrical cord from sharp objects, hot surfaces, oil, and chemicals. Avoid kinking the cord. Replace or repair damaged or worn cords immediately. Use wire of adequate size to minimize voltage drop at the motor.
15. Do not handle a pump or pump motor with wet hands or when standing on a wet or damp surface, or in water.
16. **Do not use an extension cord.**



### **ADANGER**

**Do not walk on wet area until all power has been turned off. If the shut-off box is in basement, call the electric company to shut-off service to the house, or call the local fire department for instructions. Remove pump and repair or replace. Failure to follow this warning can result in fatal**

**electrical shock.**

## Installation

### **NOTICE**

**In any installation where property damage and/or personal injury might result from an inoperative or leaking pump due to power outages, discharge line blockage or any other reason, use a backup system(s).**

### STEP 1: INSTALLATION OF PIPE

- A. Insert the discharge pipe or pipe nipple into the 3/8" ID plastic tube.

### **CAUTION**

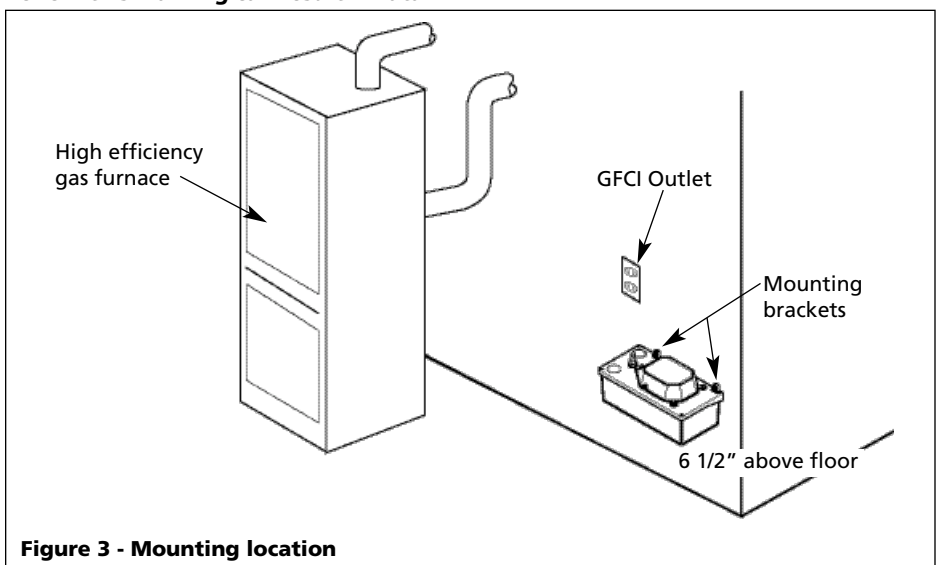
**Before removing pump from its mounting position for service, always disconnect electrical power to pump and control switch. For any work on pump or switch, ALWAYS unplug the power cord. Do not just turn off circuit breaker or unscrew fuse.**

### STEP 2: MOUNTING CONDENSATE UNIT

- A. Position the pump below the evaporator drain and/or furnace drain.
- B. The pump can be installed to the wall or side of the appliance using the two mounting brackets. Refer to Figure 3.

### STEP 3: INSTALLATION OF CONDENSATE DRAIN LINES

- A. To prevent pipe blockage in the reservoir, modify the end of pipe or tubing as illustrated in Figure 4.
- B. Plumb flexible tube or pipe from the condensate drain, and from the



**Figure 3 - Mounting location**

## Installation (Continued)

furnace drain (if applicable), to the inlet holes on the pump. Refer to Figure 5.

### STEP 4: INSTALLATION OF DISCHARGE LINE

**NOTE:** Use 3/8" I.D. (max.) flexible tubing.. A hose clamp is recommended (not provided).

- A. Extend discharge pipe from barbed check valve to the highest point possible. Refer to Figure 6.
- B. From this point, direct the discharge line to the location of the drainage source. Maintain a continuous downward slope.

**NOTE:** Construct an inverted "U" (see Figure 6) at the highest point of discharge line if a continuous downward slope is not possible. Exercise care not to kink or "pinch off" the flow of condensate liquid.

### STEP 5: INSTALLATION OF SAFETY SWITCH (IF APPLICABLE)

**NOTICE** *Connect power cord to a constant voltage source. Do not connect to a fan or other device that may run intermittently.*

- A. The pump can be wired directly to the appliance thermostat to shut the pump and appliance down in the event of pump failure. Refer to Figure 7 for typical wiring diagram.

**NOTE:** The alarm can be wired in the safety switch at the normally open ("NO") contact.

### TIPS FOR EASY INSTALLATION

1. After reading instructions, check to make sure installation does not exceed a maximum of 15 feet of vertical lift.
2. Make sure pump is level. No part of the pump base should be more than 1/8" off of level plane.
3. Use soapy water on unit when performing cleaning maintenance. (Refer to Maintenance guidelines.)
4. For optimum performance, drain and discharge lines should have a continuous downward slope. Test operation of pump to make sure lines have enough downward slope

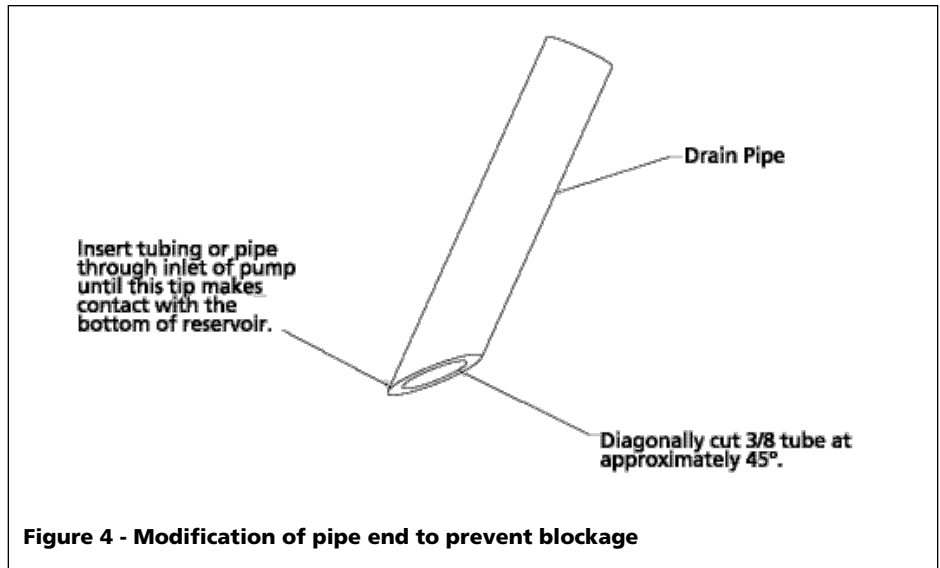


Figure 4 - Modification of pipe end to prevent blockage

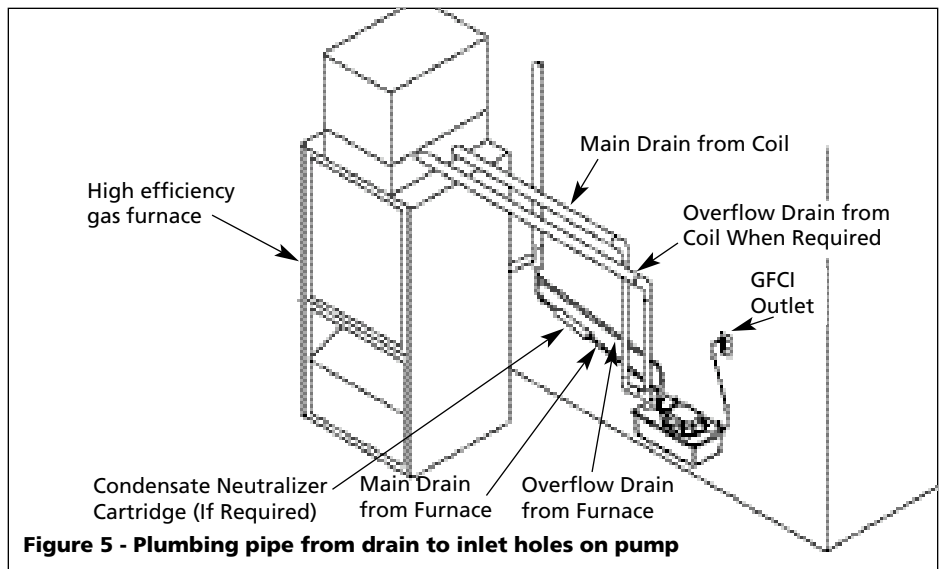


Figure 5 - Plumbing pipe from drain to inlet holes on pump

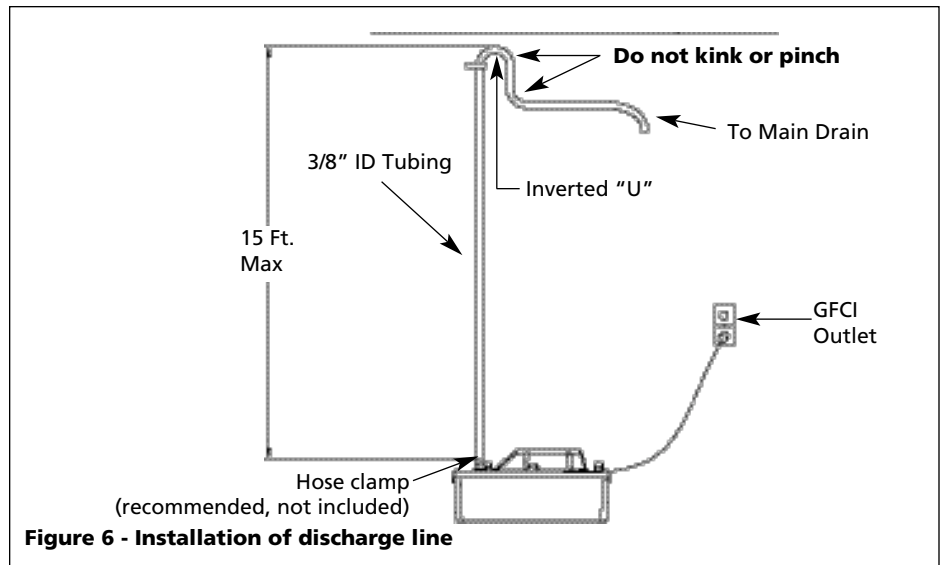
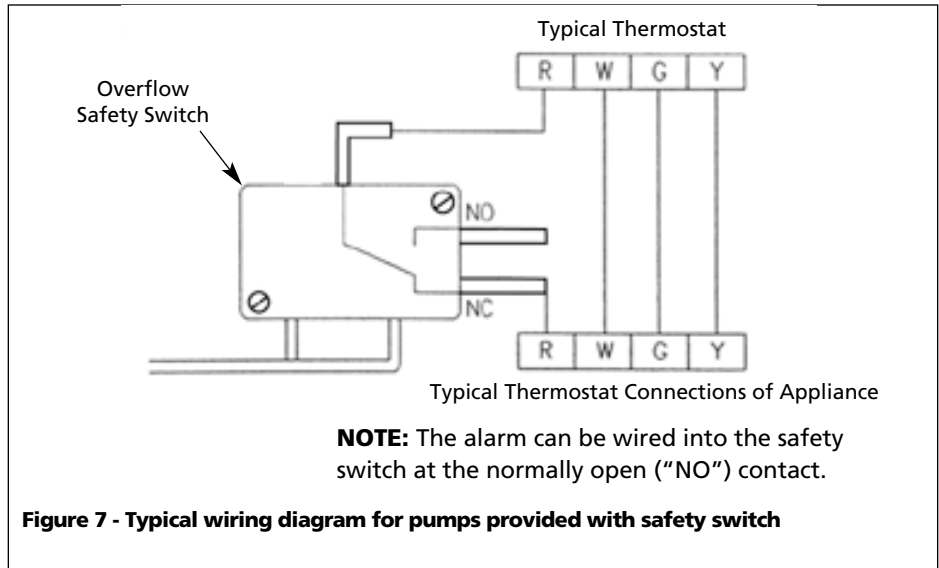


Figure 6 - Installation of discharge line

for efficient operation.

5. Avoid overtightening of check valve after cleaning. (Refer to Maintenance guidelines.)
6. Use constant voltage power source. Do not plug into a device that runs intermittently.
7. Locate model number and date code on pump and take note of them.
8. To assure proper performance, the highest point of discharge line should be higher than 5' off the floor.
9. Clean any debris in the pump reservoir if necessary.
10. Do not handle the pump until you have disconnected it from the power source. Follow all guidelines for electrical safety discussed in General Safety.
11. Do not use a pump discharge pipe smaller than the pump discharge size.
12. After installation, test pump to make sure that system is working properly.
13. Make sure that installation conforms to all local and national codes.
14. Local codes may require the use of a condensate neutralizer when using this pump.



## Maintenance

**WARNING** *Make certain that the pump is unplugged before attempting to service or remove any component. This pump is assembled in the factory using special equipment; therefore only authorized service dealers or qualified electricians should attempt to repair this unit. Improper repair can cause an electrical shock hazard.*

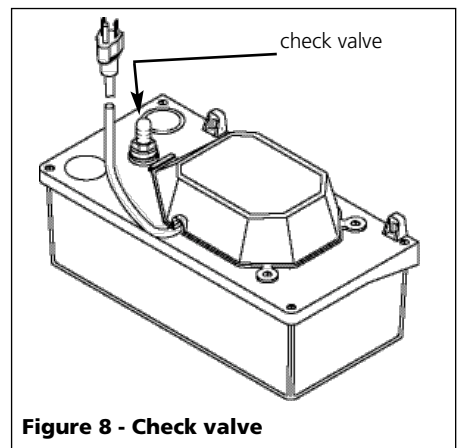
### CLEANING RESERVOIR AND IMPELLER

1. Unscrew two screws through mounting brackets, and remove pump from wall, if mounted.
2. Remove reservoir from deck by unscrewing the four screws located at the corners of the reservoir cover.
3. Remove the impeller cover by unscrewing the five screws on the underside of the motor. Pull out the impeller shaft assembly.
4. Use a damp cloth to wipe off the gasket and the motor assembly.
5. Reassemble impeller to motor. Then reassemble reservoir to reservoir cover.

### CLEANING CHECK VALVE

1. Disconnect discharge line from check valve (see Figure 8).
2. Remove check valve with 9/16" wrench.
3. Visually check for obstructions or damage.
4. If check valve is not damaged, replace valve by hand-tightening. Then tighten 1/2" turn with 9/16" wrench.

**NOTICE** *Do not overtighten. Damage to O-ring seal may occur.*



## Troubleshooting Chart

**CAUTION** *Pump may start unexpectedly. Disconnect power supply before servicing.*

Symptom	Possible Cause(s)	Corrective Action
Pump fails to run	<ol style="list-style-type: none"> <li>1. Pump not plugged in</li> <li>2. Low voltage, blown fuse, open circuit</li> <li>3. Reservoir is absent of condensate</li> <li>4. Drain/discharge lines blocked</li> </ol>	<ol style="list-style-type: none"> <li>1. Plug in.</li> <li>2. Have a certified electrician check fuse circuit.</li> <li>3. Make sure that there is adequate condensate level in reservoir. Check drain lines and/or discharge line for obstructions.</li> <li>4. Check drain lines and/or discharge line for obstructions.</li> </ol>
Pump emits loud noises when operating	Foreign material in reservoir	Refer to Maintenance section for cleaning instructions.
Pump operates but there is no flow of liquid	<ol style="list-style-type: none"> <li>1. Float is sticking</li> <li>2. Discharge height greater than 15 feet</li> <li>3. Obstruction in discharge tube</li> <li>4. Blockage in check valve</li> <li>5. Damaged check valve</li> </ol>	<ol style="list-style-type: none"> <li>1. Refer to Maintenance section for cleaning instructions.</li> <li>2. Measure from bottom of pump to highest point. Rework discharge if height is greater than 15'. Refer to Installation Step 4 for instructions.</li> <li>3. Check discharge line for blockage. Remove debris.</li> <li>4. Refer to Maintenance section for cleaning instructions.</li> <li>5. Contact Wayne.</li> </ol>
Liquid drains back into pump from discharge line	<ol style="list-style-type: none"> <li>1. Damaged check valve</li> <li>2. Blockage in check valve</li> <li>3. Discharge line is 5' or less</li> </ol>	<ol style="list-style-type: none"> <li>1. Contact Wayne.</li> <li>2. Refer to Maintenance section for cleaning instructions.</li> <li>3. Condensate liquid may drain out of line into reservoir due to discharge height. This is normal. No action is necessary.</li> </ol>
Liquid leaks from around check valve	<ol style="list-style-type: none"> <li>1. Check valve fastened too tight or too loose</li> <li>2. Damage to O-ring</li> </ol>	<ol style="list-style-type: none"> <li>1. Check valve should be hand-tightened, then tightened an additional 1/2 turn with a 9/16" wrench.</li> <li>2. Replace with a 1/2" ID x 11/16" OD x 3/32" thick O-ring or contact Wayne Technical Service at 1-800-237-0987.</li> </ol>

**WARNING** *Before servicing a pump, always shut off the main power breaker and then unplug the pump. Make sure you are not standing in water. Make sure you are wearing insulated, protective-soled shoes. Under flooded conditions, check your local electric company or a qualified licensed electrician for disconnecting electrical service prior to pump removal. If the above checklist does not solve the problem, contact Wayne Technical Service at 1-800-237-0987.*



### **Limited Warranty**

---

For one year from the date of purchase, Wayne ("Wayne") will repair or replace, at its option, for the original purchaser any part or parts of its Condensate Pump ("Product") found upon examination by Wayne to be defective in materials or workmanship. Please call Wayne (800-237-0987) for instructions or see your dealer. Be prepared to provide the model and serial number when exercising this warranty. All transportation charges on Products or parts submitted for repair or replacement must be paid by purchaser.

This Limited Warranty does not cover Products which have been damaged as a result of accident, abuse, misuse, neglect, improper installation, improper maintenance, or failure to operate in accordance with Wayne's written instructions.

**THERE IS NO OTHER EXPRESS WARRANTY. IMPLIED WARRANTIES, INCLUDING THOSE OF MERCHANTABILITY AND FITNESS FOR A PARTICULAR PURPOSE, ARE LIMITED TO ONE YEAR FROM THE DATE OF PURCHASE. THIS IS THE EXCLUSIVE REMEDY AND ANY LIABILITY FOR ANY AND ALL INDIRECT OR CONSEQUENTIAL DAMAGES OR EXPENSES WHATSOEVER IS EXCLUDED.**

Some states do not allow limitations on how long an implied warranty lasts, or do not allow the exclusions or limitations of incidental or consequential damages, so the above limitations might not apply to you. This limited warranty gives you specific legal rights, and you may also have other legal rights which vary from state to state.

In no event, whether as a result of breach of contract warranty, tort (including negligence) or otherwise, shall Wayne or its suppliers be liable for any special, consequential, incidental or penal damages including, but not limited to loss of profit or revenues, loss of use of the products or any associated equipment, damage to associated equipment, cost of capital, cost of substitute products, facilities, services or replacement power, downtime costs, or claims of buyer's customers for such damages.

You **MUST** retain your purchase receipt along with this form. In the event you need to exercise a warranty claim, you **MUST** send a **copy** of the purchase receipt along with the material or correspondence. Please call Wayne (800-237-0987) for return authorization and instructions.

**DO NOT MAIL THIS FORM TO WAYNE.** Use this form only to maintain your records.

MODEL NO. \_\_\_\_\_ SERIAL NO. \_\_\_\_\_ INSTALLATION DATE \_\_\_\_\_

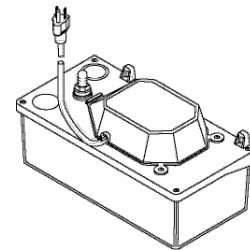
**ATTACH YOUR RECEIPT HERE**





# Unidad de condensación

Sírvase leer y conservar estas instrucciones. Léalas con cuidado antes de intentar armar, instalar, operar o efectuar mantenimiento al producto descrito. Protéjase a sí mismo y a los demás observando la información de seguridad. El no cumplir con estas instrucciones podría provocar lesiones personales y/o daños materiales. Conserve estas instrucciones para futura referencia.



## Manual de Instrucciones de Operación

WCP85

### Descripción

Una unidad de condensación elimina la condensación del aire acondicionado y hornos de alta eficiencia. El diseño compacto de la unidad consiste en una descarga de 9,5 mm (3/8") de diámetro interno y un cable de corriente de 1,83 m (6 pies) de largo. La unidad también contiene un interruptor de seguridad para apagar la bomba automáticamente en caso de falla.

### Desempacar

Revise esta unidad antes de usarla. A veces, el producto puede sufrir daños durante el transporte. Si la bomba u otras piezas se han dañado, devuelva la unidad al lugar donde ha sido comprada para que la sustituyan. De no hacer eso, se pueden producir serios daños o la muerte.

#### AVISO

*Esta bomba no está diseñada para manejar agua salada, salmuera, descargas de lavado, ni demás usos que contengan productos químicos cáusticos y/o materiales extraños. Si se usa en dichas aplicaciones, la bomba podría dañarse, anulando la garantía. Utilícela únicamente en aplicaciones de agua limpia.*

### Medidas de Seguridad

Este manual contiene información que es muy importante conocer y comprender. Esta información se proporciona con fines de SEGURIDAD y para EVITAR PROBLEMAS CON EL EQUIPO. Para ayudarlo a reconocer esta información, observe los siguientes símbolos:

#### PELIGRO

*Peligro indica una situación de riesgo inminente, la cual, si no se evita, provocará la muerte o graves lesiones.*

#### ADVERTENCIA

*Advertencia indica una situación potencialmente riesgosa, la cual, si no se evita, podría provocar la muerte o graves lesiones.*

#### PRECAUCIÓN

*Precaución indica una situación potencialmente riesgosa, la cual, si no se evita, puede provocar lesiones menores o moderadas.*

#### AVISO

*Aviso indica información importante, la cual, si no se cumple, puede ocasionar daño al equipo.*

### Informaciones Generales de Seguridad

1. Conozca la aplicación, limitaciones y posibles riesgos de la bomba.

#### ADVERTENCIA

*No bombee líquidos inflamables ni explosivos como por ejemplo gasolina, fueloil, queroseno, etc. No la utilice en ambientes inflamables y/o explosivos. Use la bomba sólo con líquidos compatibles con los materiales de la bomba. El no seguir esta advertencia podría resultar en lesiones personales y/o daños a la propiedad.*



2. Asegúrese de que la fuente de energía cumpla con los requisitos de la unidad.

### Especificaciones

Requisitos de suministro de energía	120V, 60 Hz, monofásico
Trabajo del motor	Intermitente
Rango de temperaturas del líquido	4,5°C a 52°C (40°F a 125°F)
Posición máxima de funcionamiento	45° de la vertical
Dimensiones	25,5m x 12,7m x 12m (10" x 5" x 4-3/4")
Descarga	9,5 mm (3/8") ID
Cordón de alimentación	1,83 m (6') 3 conductores con tierra
Depósito	1,89 L (2 cuartos) de plástico

#### PELIGRO

*Desconecte la corriente antes de realizar un servicio. Si la protección de desconexión no está a la vista, tránquela en la posición abierta (off) y etiquétela para evitar que se aplique corriente en forma inesperada. ¡Si no lo hace puede provocar un choque eléctrico mortal!*



3. Libere toda la presión del sistema antes de realizar el servicio a cualquier componente.
4. Drene todo el líquido del sistema antes de realizar el servicio.
5. Asegure la línea de descarga antes de encender la bomba. Si no la asegura, puede sacudirse bruscamente, causando lesiones personales y/o daño a la propiedad.
6. Antes de cada uso vea si hay mangueras estropeadas o gastadas, asegurándose de que todas las conexiones estén seguras.
7. Inspeccione la bomba y los componentes periódicamente. Realice el mantenimiento de rutina necesario (vea la sección Mantenimiento).
8. Proporcione un medio de liberación de presión para las bombas cuyas líneas de descarga estén apagadas u obstruidas.

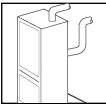
RECORDATORIO: ¡Guarde su comprobante de compra con fecha para fines de la garantía! Adjúntela a este manual o archívela en lugar seguro.

## Informaciones Generales de Seguridad (Continuación)

9. Seguridad personal:
  - a. Use gafas de seguridad en todo momento al trabajar con bombas.
  - b. Mantenga el área de trabajo limpia, ordenada e iluminada, ordene las herramientas y equipos sin utilizar.
  - c. Mantenga a los visitantes a una distancia segura del área de trabajo. Haga el taller a prueba de niños usando candados, interruptores maestros, y eliminando las llaves de arranque.
10. Al realizar el cableado de una bomba eléctrica como ésta, cumpla con todos los códigos de electricidad y seguridad, además del Código Eléctrico Nacional (NEC) más reciente y la Ley de salud y seguridad ocupacional (OSHA).

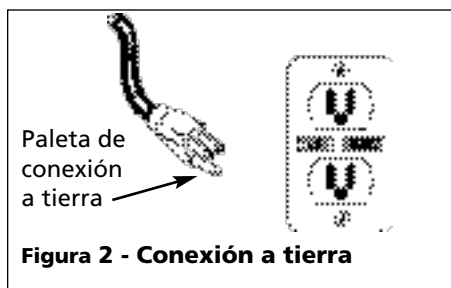
### ADVERTENCIA

**¡Riesgo de choque eléctrico!**  
**¡Nunca conecte el cable verde (o verde y amarillo) a un terminal con corriente!**



11. Esta bomba es sólo para usar con 120 voltios (monofásico) y está equipada con un cable de 3 conductores y un enchufe de conexión a tierra de 3 clavijas aprobados, como se muestra en la Figura 2.

Para reducir el riesgo de choque eléctrico, el motor debe asegurarse y conectarse a tierra adecuadamente. Esto se puede lograr conectando el enchufe directamente a un tomacorriente de conexión a tierra para 3 clavijas correctamente instalado y conectado a tierra (vea la Figura 2).



### ADVERTENCIA

**¡Riesgo de choque eléctrico!** Esta bomba viene con un conductor de conexión a tierra y un enchufe de conexión a tierra. Use un tomacorriente con conexión a tierra para reducir el riesgo de choque eléctrico mortal.

**Nunca corte la clavija redonda de conexión a tierra. Si corta el cable o la clavija se anulará la garantía y hará que la bomba no funcione.**

Donde haya un tomacorriente para 2 clavijas, se deberá reemplazar por un tomacorriente para 3 clavijas conectado a tierra correctamente según el NEC y los códigos y normas locales.

12. Un electricista calificado debe realizar todo el cableado.
13. Se recomienda encarecidamente enchufar esta unidad a un interruptor de un circuito con descarga a tierra (GFCI). Consulte a un electricista local para su instalación y disponibilidad.
14. Proteja el cable eléctrico de objetos punzantes, superficies calientes, aceite y productos químicos. Evite doblar el cable. Reemplace o repare de inmediato los cables dañados o gastados. Use cables del tamaño adecuado para minimizar la caída de voltaje en el motor.
15. No manipule la bomba ni el motor con las manos mojadas ni si está parado en superficies húmedas, ni en el agua.



16. No use un cable de extensión.

### PELIGRO

No camine sobre áreas húmedas hasta que la corriente esté apagada. Si la llave general está en el sótano, llame a la compañía eléctrica para que desconecte el servicio a la casa, o llame al departamento de bomberos local para obtener instrucciones. Retire la bomba y repárela o reemplácela. Si no respeta esta advertencia puede provocar un choque eléctrico mortal.

## Instalación

### AVISO

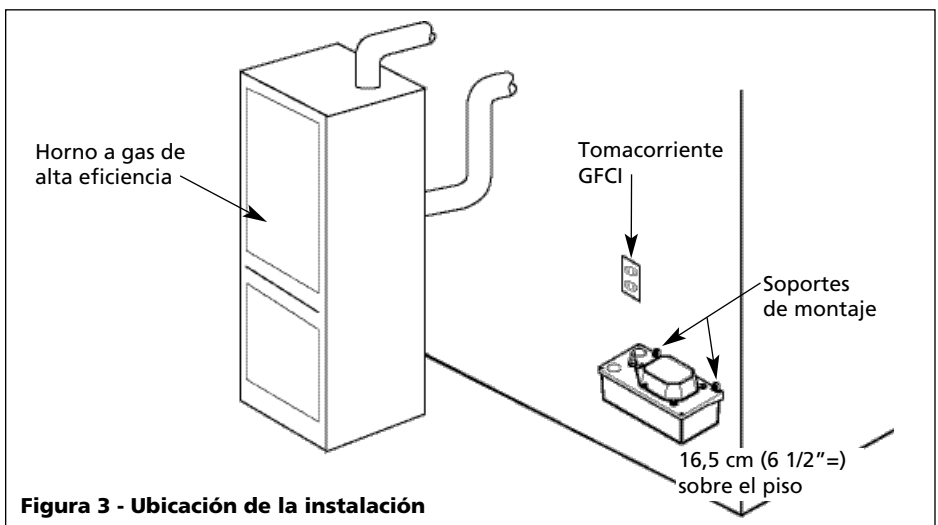
Use un sistema de respaldo en las instalaciones donde puedan ocasionarse daños a la propiedad y/o lesiones personales por una bomba que pierda o no funcione debido a cortes de energía, obstrucción de la línea de descarga u otro motivo.

### PASO 1: INSTALACIÓN DE LA TUBERÍA

- A. Inserte la tubería de descarga o niple de la tubería en el caño plástico de 9,5 mm (3/8") de diámetro interno.

### PRECAUCIÓN

Antes de retirar la bomba de su posición de montaje para el servicio, desconecte siempre la corriente eléctrica de la bomba y del interruptor de control. Para realizar trabajos en la bomba o en el interruptor, desconecte siempre el cable de corriente. No sólo apague el disyuntor o desenrosque el fusible.





**PASO 2: MONTAJE DE LA UNIDAD DE CONDENSACIÓN**

- A. Coloque la bomba debajo del drenaje del evaporador y/o del drenaje del horno.
- B. La bomba se puede instalar en la pared o en un costado del aparato usando los dos soportes de montaje. Consulte la Figura 3.

**PASO 3: INSTALACIÓN DE LAS LÍNEAS DE DRENAJE DEL CONDENSADOR**

- A. Para evitar la obstrucción de la tubería en el depósito, modifique el extremo de la tubería o del caño como se muestra en la Figura 4.
- B. Nivele el caño flexible o la tubería desde el drenaje del condensador, y desde el drenaje del horno (si corresponde), hasta los orificios de entrada en la bomba. Consulte la Figura 5.

**PASO 4: INSTALACIÓN DE LA LÍNEA DE DESCARGA**

**NOTA:** Use caños flexibles de 9,5 mm (3/8") de diámetro interno (máx.). Se recomienda usar una abrazadera para manguera (no se proporciona).

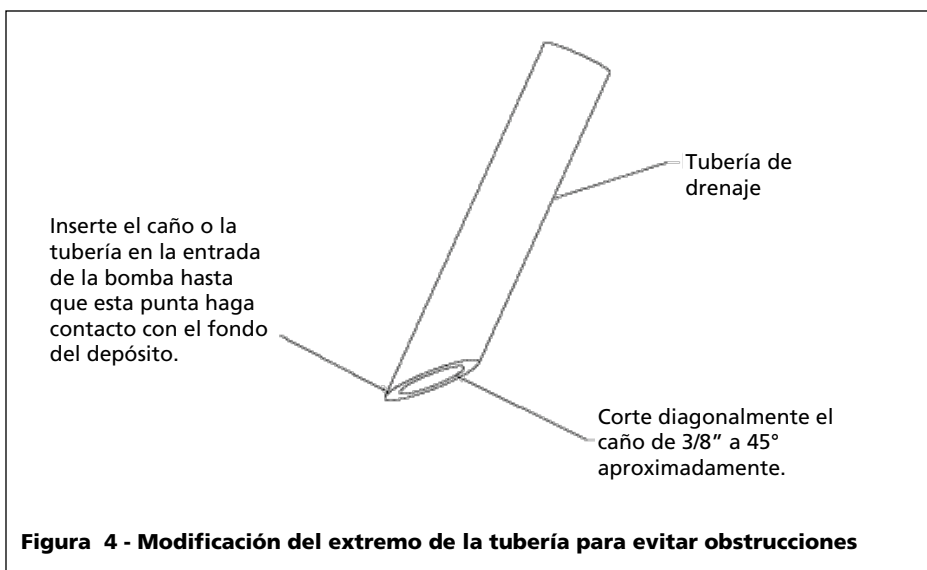
- A. Extienda la tubería de descarga desde la válvula de retención dentada hasta el punto de mayor altura posible. Consulte la Figura 6.
- B. Desde este punto, dirija la línea de descarga a la ubicación de la fuente de extracción. Mantenga una pendiente continua hacia abajo.

**NOTA:** Construya una "U" invertida (vea la Figura 6) en el punto más alto de la línea de descarga si no es posible hacer una pendiente continua hacia abajo. Tenga cuidado de no doblar ni "apretar" el flujo de líquido condensado.

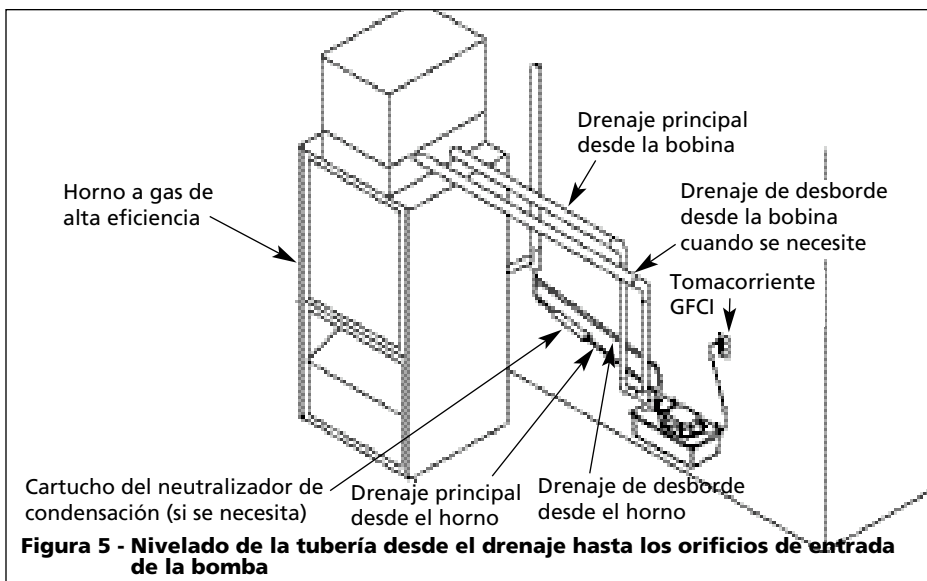
**PASO 5: INSTALACIÓN DEL INTERRUPTOR DE SEGURIDAD (SI CORRESPONDE)**

**AVISO** Conecte el cable de corriente a una fuente de voltaje constante. No lo conecte a un ventilador ni a otro dispositivo que pueda funcionar de modo intermitente.

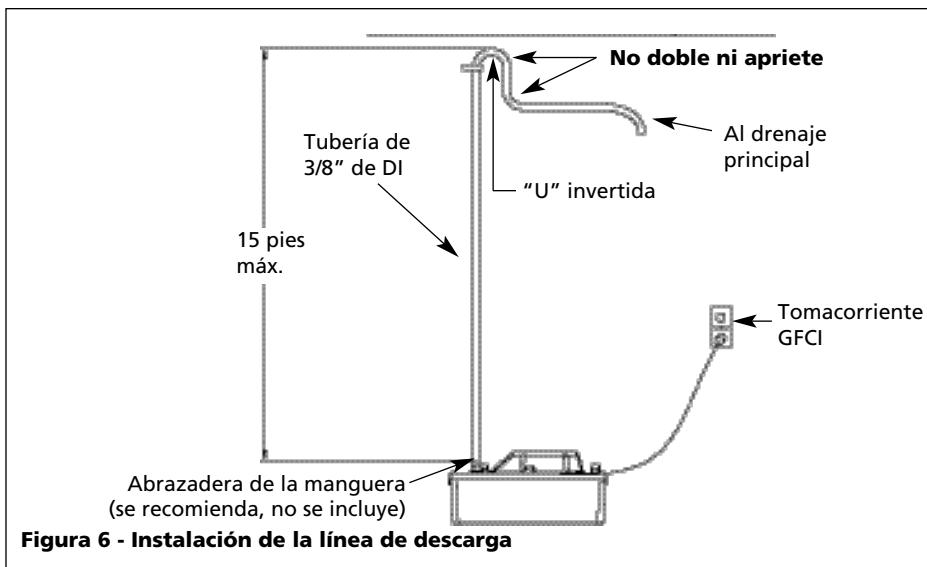
- A. La bomba se puede cablear directamente al termostato del aparato para apagar la bomba y el



**Figura 4 - Modificación del extremo de la tubería para evitar obstrucciones**



**Figura 5 - Nivelado de la tubería desde el drenaje hasta los orificios de entrada de la bomba**



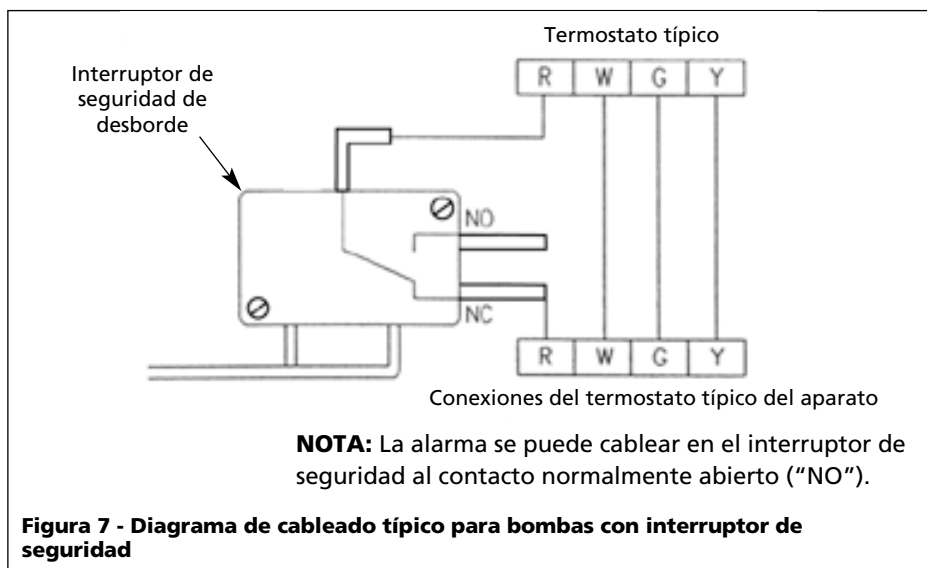
**Figura 6 - Instalación de la línea de descarga**

aparato en caso de que la bomba falle. Consulte la Figura 7 para ver un diagrama de cableado típico.

**NOTA:** La alarma se puede conectar en el interruptor de seguridad al contacto normalmente abierto ("NO").

**CONSEJOS PARA LA FÁCIL INSTALACIÓN**

1. Después de leer las instrucciones, asegúrese de que la instalación no exceda un máximo de 4,57 m (15 pies) de subida vertical.
2. Asegúrese de que la bomba esté nivelada. Ninguna parte de la base de la bomba debe encontrarse a más de 3,2 mm (1/8") del plano de nivel.
3. Use agua jabonosa en la unidad cuando realice el mantenimiento de limpieza. (Consulte las pautas de Mantenimiento.)
4. Para un rendimiento óptimo, las líneas de drenaje y descarga deben tener una pendiente continua hacia abajo. Pruebe el funcionamiento de la bomba para asegurarse de que las líneas tengan una pendiente hacia abajo suficiente para el funcionamiento eficiente.
5. Evite ajustar de más la válvula de retención después de la limpieza. (Consulte las pautas de Mantenimiento.)
6. Utilice una fuente de energía de voltaje constante. No la conecte a un dispositivo que funcione intermitentemente.
7. Ubique el número de modelo y el código de fecha en la bomba y anótelos.
8. Para asegurar el rendimiento adecuado, el punto más alto de la línea de descarga debe ser mayor que 1,52 m (5 pies) desde el suelo.
9. Si hay residuos en el depósito de la bomba, deséchelos.
10. No manipule la bomba hasta no haberla desconectado de la fuente de energía. Siga todas las pautas para la seguridad eléctrica discutidas en Seguridad general.
11. No use una tubería de descarga de la bomba menor que el tamaño de descarga de la bomba.



12. Después de la instalación, pruebe la bomba para asegurarse de que el sistema funcione correctamente.
13. Asegúrese de que la instalación esté de acuerdo con todos los códigos locales y nacionales.
14. Los códigos locales pueden exigir el uso de un neutralizador de condensación cuando use esta bomba.

**Mantenimiento**

**ADVERTENCIA** Asegúrese de que la bomba esté desenchufada antes de intentar realizar un servicio o sacar cualquier componente. Esta bomba se arma en la fábrica usando equipos especiales, por lo que sólo representantes de servicio autorizados o electricistas calificados deberán reparar esta unidad. La reparación incorrecta puede causar un riesgo de choque eléctrico.

**LIMPIEZA DEL DEPÓSITO Y DEL IMPULSOR**

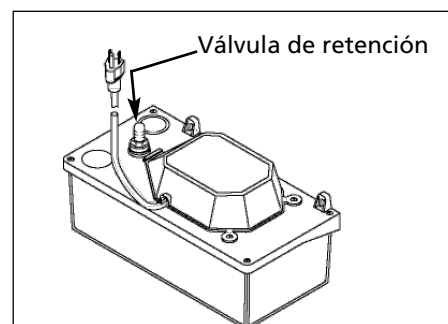
1. Desatornille dos tornillos de los sujetadores de montaje y retire la bomba de la pared, si estuviese montada.
2. Retire el depósito de la plataforma desatornillando los cuatro tornillos ubicados en las esquinas de la cubierta del depósito.
3. Retire la cubierta del impulsor desatornillando los cinco tornillos de la parte inferior del motor. Saque el

- ensamble del eje del impulsor.
4. Utilice un paño húmedo para limpiar la junta y el ensamble del motor.
5. Coloque el impulsor nuevamente en el motor. Luego vuelva a colocar el depósito en la cubierta del depósito.

**LIMPIEZA DE LA VÁLVULA DE RETENCIÓN**

1. Desconecte la línea de descarga de la válvula de retención (Vea la Figura 8).
2. Retire la válvula de retención con una llave de 14,3 mm (9/16").
3. Inspecciónela visualmente en busca de obstrucciones o daños.
4. Si la válvula de retención no está dañada, vuelva a colocarla ajustándola a mano. Luego ajústela 12,7 mm (1/2") de vuelta con una llave de 14,3 mm (9/16").

**AVISO** No apriete en exceso. Esto puede provocar daños en el sello el anillo en O.



**Figura 8 - Válvula de retención**

## Guía de Diagnóstico de Averías

### **PRECAUCION**

*La bomba se puede accionar repentinamente. Desconecte la corriente antes de realizar un servicio.*

Symptom	Possible Cause(s)	Corrective Action
La bomba no funciona	<ol style="list-style-type: none"> <li>1. La bomba no está enchufada</li> <li>2. Bajo voltaje, fusible quemado, circuito abierto</li> <li>3. El depósito no tiene condensado</li> <li>4. Las líneas de drenaje/descarga están obstruidas</li> </ol>	<ol style="list-style-type: none"> <li>1. Enchúfela</li> <li>2. Haga que un electricista calificado verifique el circuito de fusibles.</li> <li>3. Asegúrese de que haya un nivel de condensado adecuado en el depósito. Verifique las líneas de drenaje y/o de descarga en busca de obstrucciones.</li> <li>4. Verifique las líneas de drenaje y/o de descarga en busca de obstrucciones.</li> </ol>
La bomba hace ruidos fuertes cuando funciona	Hay material extraño en el depósito	Consulte la sección Mantenimiento para ver las instrucciones de limpieza.
La bomba funciona pero no hay flujo de líquido	<ol style="list-style-type: none"> <li>1. El flotador está pegado</li> <li>2. La altura de descarga es mayor que 4,57 m (15 pies)</li> <li>3. Hay una obstrucción en el caño de descarga</li> <li>4. Hay una obstrucción en la válvula de retención</li> <li>5. La válvula de retención está dañada</li> </ol>	<ol style="list-style-type: none"> <li>1. Consulte la sección Mantenimiento para ver las instrucciones de limpieza.</li> <li>2. Mida desde la parte inferior de la bomba hasta el punto más alto. Ajuste la altura de la descarga si es mayor que 4,57 m (15 pies). Consulte el Paso 4 de la Instalación para ver las instrucciones.</li> <li>3. Verifique la línea de descarga en busca de obstrucciones. Elimine los residuos.</li> <li>4. Consulte la sección Mantenimiento para ver las instrucciones de limpieza.</li> <li>5. Póngase en contacto con Wayne.</li> </ol>
El líquido vuelve a la bomba desde la línea de descarga	<ol style="list-style-type: none"> <li>1. La válvula de retención está dañada</li> <li>2. Hay una obstrucción en la válvula de retención</li> <li>3. La línea de descarga mide 1,5 m (5 pies) o menos</li> </ol>	<ol style="list-style-type: none"> <li>1. Póngase en contacto con Wayne.</li> <li>2. Consulte la sección Mantenimiento para ver las instrucciones de limpieza.</li> <li>3. El líquido de condensado puede volver de la línea al depósito debido a la altura de descarga. Esto es normal. No es necesario hacer nada.</li> </ol>
Hay una pérdida de líquido cerca de la válvula de retención	<ol style="list-style-type: none"> <li>1. La válvula de retención está muy ajustada o muy poco ajustada</li> <li>2. El anillo en O está dañado</li> </ol>	<ol style="list-style-type: none"> <li>1. La válvula de retención se debe ajustar a mano, luego ajuste 1/2 vuelta adicional con una llave 14,3 mm (9/16").</li> <li>2. Reemplace con un anillo en O de 12,7 mm (1/2") de DI x 17,5 mm (11/16") de DE x 2,38 mm (3/32") de grosor o póngase en contacto con el Servicio Técnico de Wayne al 1-800-237-0987.</li> </ol>

### **ADVERTENCIA**

*Antes de realizar el servicio a una bomba, apague siempre el disyuntor de corriente principal y luego desenchufe la bomba. Asegúrese de no estar parado sobre agua. Asegúrese de estar usando calzado aislado con suelas protectoras. En condiciones inundadas, haga que su compañía eléctrica local o un electricista licenciado calificado desconecte el servicio de electricidad antes de quitar la bomba. Si la lista anterior no resuelve el problema, póngase en contacto con el Servicio Técnico de Wayne al 1-800-237-0987.*



### **Garantía Limitada**

Durante un año a partir de la fecha de compra, Wayne ("Wayne") reparará o reemplazará para el comprador original, según lo que decida, cualquier pieza o piezas de su Juego para estanque, Unidad de condensación ("Producto") que después de un examen Wayne encuentre que tenían defectos en su material o mano de obra. Sírvase llamar a la compañía Wayne (800-237-0987, desde EUA) para recibir instrucciones al respecto o comuníquese con el distribuidor más cercano a su domicilio. Para hacer reclamos bajo esta garantía deberá suministrarnos el número del modelo y el número de serie del producto. El comprador será responsable de pagar todos los gastos de flete para enviar las piezas o el Producto para que sean reparados o reemplazados.

Esta Garantía Limitada no cubre los daños que sufra el Producto debido a accidentes, abusos, usos inadecuados, negligencia, instalación incorrecta, mantenimiento inadecuado o haberse utilizado sin seguir las instrucciones escritas suministradas por la compañía Wayne.

**NO EXISTEN OTRAS GARANTIAS EXPRESAS. LAS GARANTIAS IMPLICITAS INCLUYENDO GARANTIAS EN RELACION AL MERCADERO O USOS ESPECIFICOS ESTAN LIMITADAS A UN AÑO A PARTIR DE LA FECHA DE COMPRA. ESTA ES LA UNICA GARANTIA DISPONIBLE Y TODAS LAS REONSABILIDADES CIVILES, DIRECTAS O INDIRECTAS, O GASTOS POR DAÑOS INDIRECTOS O CONSECUENTES QUEDAN EXCLUIDOS.**

Algunos estados no permiten que se establezcan límites en la duración de las garantías implícitas o no permiten que se excluyan ni se establezcan límites en los daños por incidentes o consecuencias, por lo tanto los límites antes mencionados podrían ser no válidos. Esta Garantía Limitada le otorga derechos legales específicos, y usted también puede tener otros derechos que varían de un Estado a otro.

En ningún caso, bien sea por ruptura del contrato de la garantía, responsabilidad civil (incluyendo negligencia) u otra causa, Wayne o sus distribuidores serán responsables por daños especiales, consecuentes ni circunstanciales ni penales, incluyendo, pero no limitados a la pérdida de ganancias, pérdida de uso del producto o equipos asociados, daños a equipos asociados, costos de capitales, costos para substituir productos, costos para substituir o reemplazar servicios, costos por pérdida de productividad, o reclamos de clientes del comprador por dichos daños.

**DEBE** conservar el recibo de compra con esta garantía. En caso de que necesite hacer un reclamo bajo esta garantía, **DEBERA** enviarnos una  **copia**  del recibo junto con el material o correspondencia. Sírvase comunicarse con la compañía Wayne (800-237-0987, en EUA) para recibir autorización e instrucciones para enviar el producto.

**NO ENVIE ESTA GARANTIA A WAYNE.** Use este documento sólo para mantener sus records.

NO. DEL MODELO \_\_\_\_\_ NO. DE SERIE \_\_\_\_\_ FECHA DE INSTALACION \_\_\_\_\_

**ANEXE SU RECIBO AQUI**