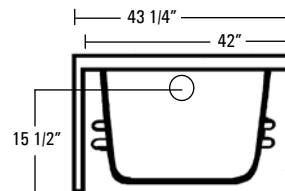
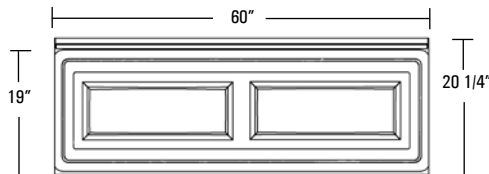
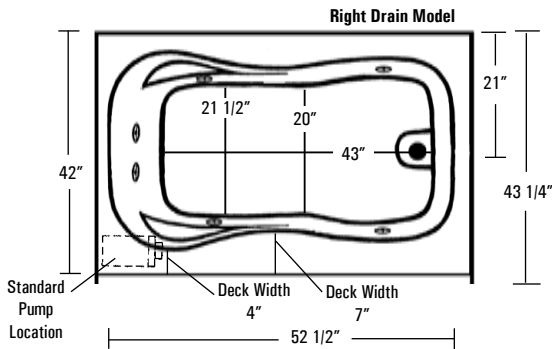
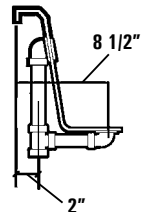


AIIS6042LSY / AIIS6042LSYTO (LEFT DRAIN) / AIIS6042RSY / AIIS6042RSYTO (RIGHT DRAIN)



Note: Tub only model does not include access panels unless ordered as an option.

Rough-In Plumbing Measurements



SPECIFICATIONS:

GENERAL SPECIFICATIONS:

Tub Size	60" x 42" x 20 1/4"
	152 cm x 107 cm x 51 cm
Bathing Well	43" long
	21 1/2" wide
	17" interior depth
Maximum Water Depth	12 1/2"
Shipping Weight	172 lbs. / 78 kg
Tub Weight Filled	728 lbs. / 330 kg
Tub Only Weight	128 lbs. / 58 kg
Gallons to Overflow	72 gal. / 273 L
Gallons to Operate	51 gal. / 193 L

ELECTRICAL SPECIFICATIONS:

Pump	.80 HP; 5.5 AMP; 110V
Requirement	15 AMP; 110V, separate circuit required protected w/ Class A GFCI

STANDARD EQUIPMENT:

- 6 Hydrotherapy Jets including:**
- 2 Spinning Back Jets
 - 4 Directional Jets
- Aquatic Quality Features:**
- .80 HP Run-Dry Pump
 - Bath-Side On/Off Air Button
 - "Quiet Pad" Anti-Vibration Pump Mount for Quiet Pump Operation
 - Heat-bent Rigid PVC Piping for Optimum Sanitary Conditions
 - 2 Arm Rests
 - Integrally Molded Tile Flange
 - Color Matched Integral Skirt with Removable Access Panels
 - Color Matched Trim and Jets (Select Colors)
 - Right or Left Hand Drain
 - Durable, Easy to Clean, Lucite® Cast Acrylic Surface
 - Available in 8 Standard No-Charge Colors
- UL and IAPMO Listed, Factory Tested Limited 10 Year Warranty**

OPTIONAL EQUIPMENT:

- Comfort Pillow--Oval or Rectangle
- Lift & Turn Waste and Overflow
 - Chrome, Polished Brass, Gold, Satin Nickel, Polished Nickel or Oil Rubbed Bronze
- Cable Drive Waste and Overflow
 - Chrome, Polished Brass, Gold, Satin Nickel, Polished Nickel, Oil Rubbed Bronze or Color Matched (Bone, White and Biscuit Only)
- Removable Access Panels (Tub Only)

All acrylic colors featured by Aquatic match the industry's leading fixture manufacturers.

Fax-On-Demand Document # 1280



The manufacturer accepts a 1/4" variance. There are variations on each tub and specifications are subject to change as we improve upon our product as required. The dimensions needed for site preparation and structure building should be measured from the tub; Aquatic Industries, Inc. assumes no responsibility for preparatory work. www.aquaticwhirlpools.com 800.555.5324