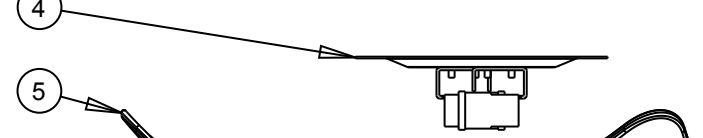
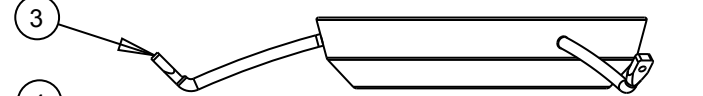
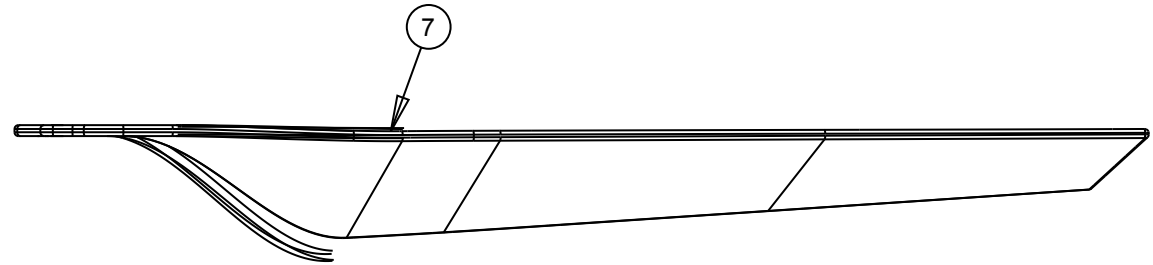
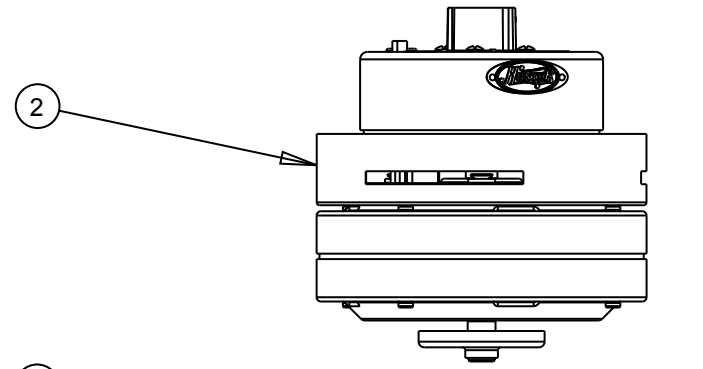
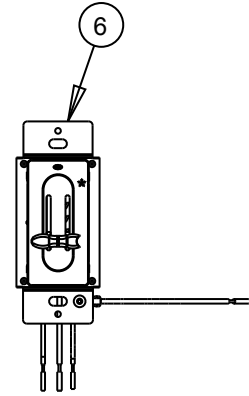
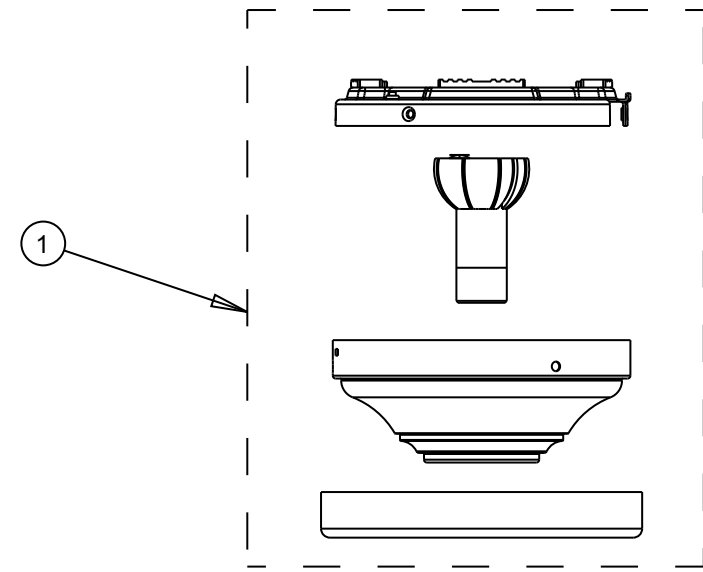



HORIZONTE, 120V, 60HZ, SERVICE PARTS LIST		MODEL NUMBER		22926	22927	22925
		FINISH		BRUSHED NICKEL -214	ONYX BENGAL -632	WHITE -132
ITEM NO	DESCRIPTION	QTY				
(B) 1	HANDS FREE 3 ASSEMBLY	1	99565-09-000	99565-90-000	99565-03-000	
2	MOTOR HOUSING ASSEMBLY	1	98246-01-214	98246-02-632	98246-03-132	
3	HEAT SHIELD ASSEMBLY	1	88136-01-000	88136-02-000	88136-03-000	
4	LIGHT KIT	1	88137-01-000	88137-01-000	88137-01-000	
5	GLASS BOWL	1	98128-01-000	98128-02-000	98128-03-000	
6	SLIDE CONTROL, 3 SPEED, WITH LIGHT	1	64131-01-000	64131-01-000	64131-01-000	
7	BLADE SET	1	75539-99-000	75539-99-000	77325-51-000	
8	HARDWARE KIT	1	88830-01-000	88830-02-000	88830-03-000	

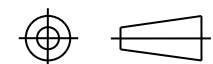


(8) NOT SHOWN

B	ADDED MODEL 22925. HANGING SYSTEM 99565 WAS 99110.	KL			9996	7/29/09
A	INITIAL DRAWING RELEASE.	KL	---	---	9438	10/2/08
REV	DESCRIPTION	BY	CK	APP	ECN#	DATE



HUNTER FAN COMPANY
2500 FRISCO AVE., MEMPHIS, TENN. 38114

CONFIDENTIAL		DOC NUMBER 9438	STATUS ACTIVE
THIS DOCUMENT AND THE INFORMATION IT DISCLOSES IS THE EXCLUSIVE PROPERTY OF HUNTER FAN COMPANY. ANY REPRODUCTION OR USE OF THIS DRAWING, IN PART OR IN WHOLE, WITHOUT THE EXPRESS CONSENT OF THE PROPRIETOR IS PROHIBITED.		TYPE CODE 55	DATE (MM-DD-YYYY) 10/1/08
SHEET SIZE B	THIRD ANGLE PROJECTION 	CHECKED BY MODELED BY KL	MATERIAL FINISH SEE CHART
MODEL TYPE ASSEM	FIRST USE	DRAWING BY KL	MODEL NUMBER 98246 REVISION J
SCALE 0.250	DESCRIPTION SERVICE PARTS GUIDE, HORIZONTE	DRAWING NUMBER 77109	REVISION B
SHEET 1 OF 1		REL LEVEL Concept	REL LEVEL Concept