



IMI CORNELIUS INC.  
One Cornelius Place  
Anoka, MN. 55303-6234  
Telephone 1-800-238-3600  
Facsimile 1-800-258-0255

[www.cornelius.com](http://www.cornelius.com)

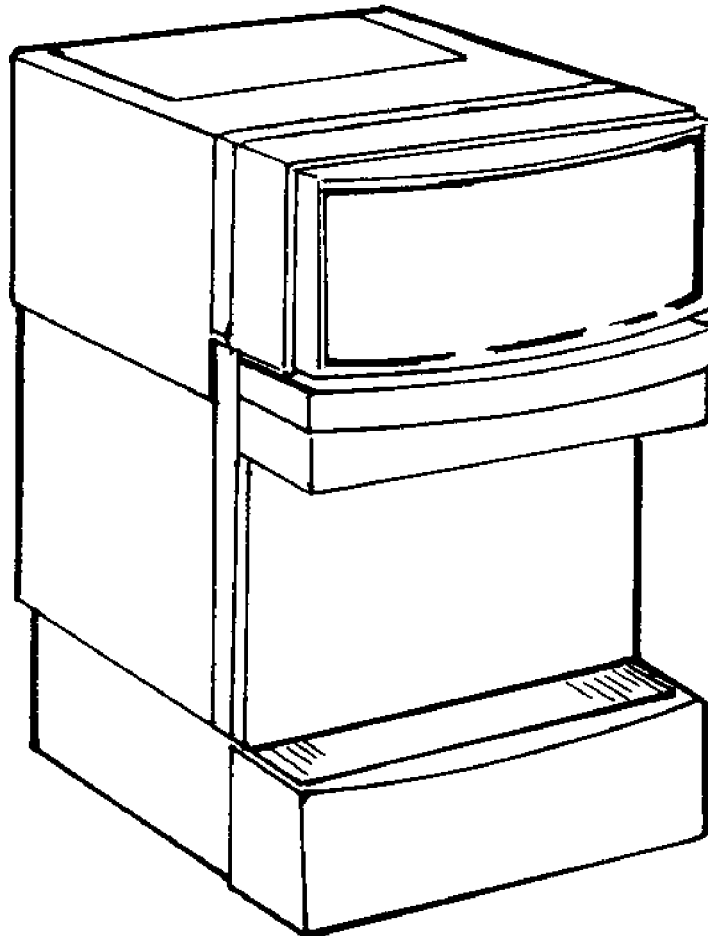
## ILLUSTRATED PARTS LIST

---

### MILLENNIUM (MJ30-4, MJ32-4, MJ31-4) DISPENSER

#### MODEL NO.

721210101  
721210102  
721210105





IMI CORNELIUS INC.  
One Cornelius Place  
Anoka, MN. 55303-6234  
Telephone 1-800-238-3600  
Facsimile 1-800-258-0255

www.cornelius.com

## ILLUSTRATED PARTS LIST

### MILLENNIUM (MJ30-4, MJ32-4, MJ31-4) DISPENSER

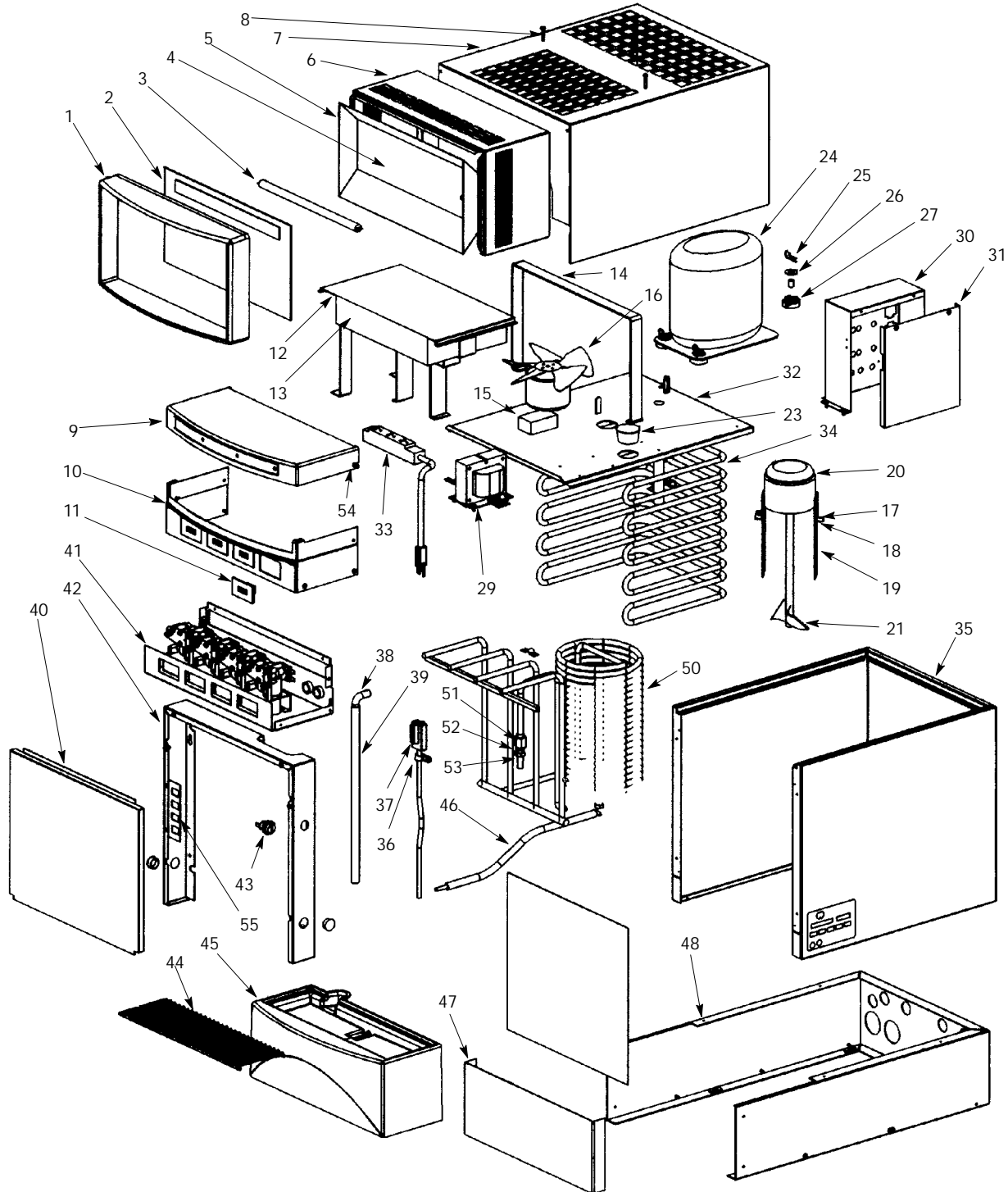


FIGURE 1. GENERAL ASSEMBLY



IMI CORNELIUS INC.  
 One Cornelius Place  
 Anoka, MN. 55303-6234  
 Telephone 1-800-238-3600  
 Facsimile 1-800-258-0255

www.cornelius.com

## ILLUSTRATED PARTS LIST

### MILLENNIUM (MJ30-4, MJ32-4, MJ31-4) DISPENSER

Item No.	Part No.	Name
1	550222	Merchndsr Hsg
	720200217	Merchndsr Asy 120V 60HZ
2	48377	Panel Clear Merchndsr
3	31314	Bulb Fluor
	350001	Ballast Finger 120V 60HZ
	60419006	Ballast 220V 50HZ
	60420001	Starter 120V 60HZ
	60419004	Ballast Finger
	350164	Socket Starter
4	187189000	Holder Bi-Pin Lamp
5	231050	Reflector
	231056	Cover Elec
	45433	Holder Fluorescent Lamp
	350128	Cord Pwr
6	231051	Wrap Elec Box
7	261142	Lid
8	0706903	Screw 10-32 x 1/2"
9	720200500	Cover Asy Vlv Hsg
10	720200400	Housing Valve
11	84353001	Switch Asy Push Button
12	550088	Cond Coil
13	230509	Shroud Fan
14	710160063	Handle Deck
15	186074001	Control Ice Bank
16	350017	Blade Fan 5-Blade
	350095	Motor Fan 5W 120V 60HZ
	350096	Motor Fan 5W 230V 50/60HZ
17	400323	Screw SM 8 PAPH 12
18	230040	Brkt Mtr Agit
19	230303	Heat Sink
20	350078	Motor Agit 15W 120V 50/60HZ
	350079	Motor Agit 15W 230V 50HZ
21	350012	Blade Agitator
	186610000	Pin Sprg
22		Not Used
23	400262	Cap Plug (Water Fill Hole)
24	260970	Kit Comp 1/3HP 120V 60HZ
	260968	Kit Comp 1/3HP 230V 50HZ
	260972	Kit Comp 1/3HP 240V 60HZ
	350148	Relay 1/3HP 120V 60HZ
	350151	Relay 1/3HP 230V 50HZ
	350152	Relay 1/3HP, 220V 60HZ
	350108	Overld 1/3HP 120V 60HZ
	350106	Overld 1/3HP 230V 50HZ
	350146	Overld 1/3HP, 220V 60HZ
	720302001	Capac 240V 60HZ
	550001	Accum Dryer

Item No.	Part No.	Name
25	398034400	Pin Hitch
26	20223010	Washer Ft. .489 I.D.
27	189723000	Grommet
28	350182	Switch Rocker
29	720202200	Transfrmr Asy 120V 60HZ
	720202201	Transfrmr Asy 220V 50/60HZ
30	720201400	Box Elec Asy
31	720201403	Cover Elec Box
32		Not Used
33	350130	Cord Pwr
34	260061	Holder Bulb
	230983	Holder C-Bulb
	261356	Coil Evap
	260006	Accum Drier Asy
	230974	Brkt Plt Evap Coil
	230973	Spacer
35	231047	Wrap Cabinet
36	350174	Clamp Cable
37	350131	Cord Pwr 96" Ext NEMA5-15P
	350112	Cord Pwr 98 1/2" EUI-16P w/Recp
38	400501	Fitg Elbow .25-MPT x .5B Nylon
39	650094	Tube Vinyl .500 I.D. (Sold by the Foot)
40	720200700	Panel Splash
41	720200300	Disp Asy
42	720200202	Cover Fnt Tubing Enclosure
43	7227615	Lock Swt and Keys
	19578	Key Lock No. 2009
44	720200600	Cup Rest
45	720200100	Drip Tray Asy
46	113500000	Tube Vinyl .500 I.D. (Sold by the Foot)
47	231049	Base Fnt Riser
48	231048	Wrap Riser Base
49		Not Used
50	261137	Coil Wtr Asy
51	400193	Nut 3/8-Flx x 5/16-Tube
52	311304000	Gasket3/8-MF
53	400135	Fitg 3/8-Barb x 3/8MF
	261139	Manifold 4 Valve
	400113	Fitg L 3/8-Barb x 1/4-MPT
	400263	Plug Dead Head
	650089	Tube Vinyl .375 I.D. (Sold by the Foot)
54	48418	Screw 8-32 Shoulder
55	720200201	Switch Plate for 720200202
	0734801	Rivet Pop for Switch Plate

Reinforced Drip Tray barb starts at serial No. 72A0004JM210



IMI CORNELIUS INC.  
 One Cornelius Place  
 Anoka, MN. 55303-6234  
 Telephone 1-800-238-3600  
 Facsimile 1-800-258-0255

www.cornelius.com

## ILLUSTRATED PARTS LIST

### MILLENNIUM (MJ30-4, MJ32-4, MJ31-4) DISPENSER

Item No.	Part No.	Name
	720200800	Platform Asy
1	720200804	Tube Fitg Brkt Asy
2	720200801	Base Platform
3	720200802	Pump Support Brkt
4	48432	Pump and Brkt Asy
5	720201600	Harn Asy Pumps to Plug
6	48195006	Clamp Hose
7	77040400	Fitg L 1/4-Barb
8	77050300	Fitg Val Dole 1/4-Barb Stght
9	89078	Tube Redline .375 I.D. (Sold by the Foot)
10	309854000	Clamp .413 I.D.
11	111353000	Clamp .571 I.D.
12	0734801	Rivet Pop
13	0704001	Screw 8 x 3/8"
14	0733903	Bushing Snap
15	48456	Tube .250 I.D. (Sold by the Foot)
16	77040200	Fitg Splicer .265 I.D.

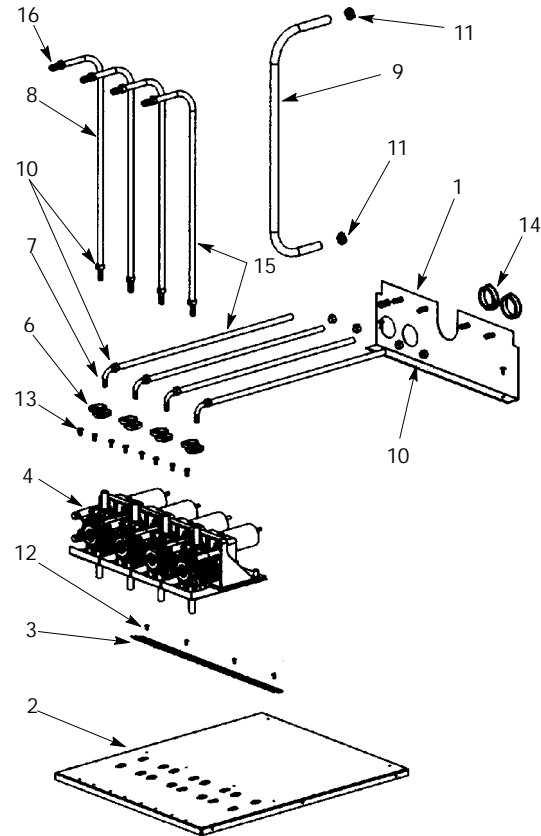


FIGURE 2. PLATFORM ASSEMBLY

Item No.	Part No.	Name
	48432	Pump and Brkt Asy
1	0704105	Screw No. 8-32 x 1/2"
2	45185	Pump and Motor Asy
3	45283	Bushing Rubber with Nut Insert
4	48420	Brkt Pump

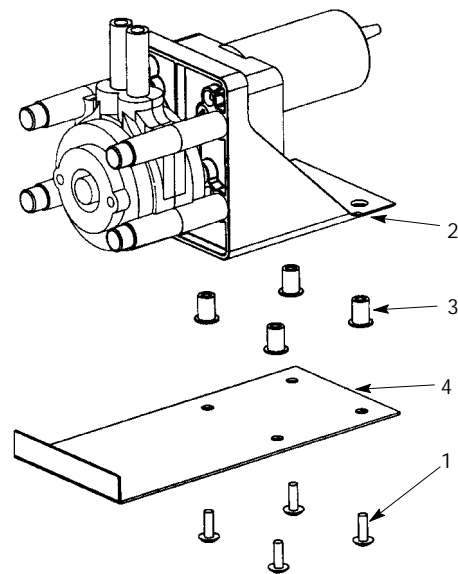


FIGURE 3. PUMP AND BRACKET ASSEMBLY



IMI CORNELIUS INC.  
 One Cornelius Place  
 Anoka, MN. 55303-6234  
 Telephone 1-800-238-3600  
 Facsimile 1-800-258-0255

www.cornelius.com

## ILLUSTRATED PARTS LIST

### MILLENNIUM (MJ30-4, MJ32-4, MJ31-4) DISPENSER

Item No.	Part No.	Name
	720200300	Disp Asy
1	0704107	Screw No. 8-32 x 5/8" THMS
2	45027001	Bushing Valve Nozzle
3	0733901	Bushing Snap
4	48415	Valve Block Brkt Asy
5	720200301	Valve Block Enclosure
6	720202100	Harn Switch to Elec Box (Not Shown)
	31525037	O-Ring .739 I.D. (Not Shown)
	45003001	Nozzle Mixing and O-Ring (Not Shown)
	45123	Mixer Static (Not Shown)

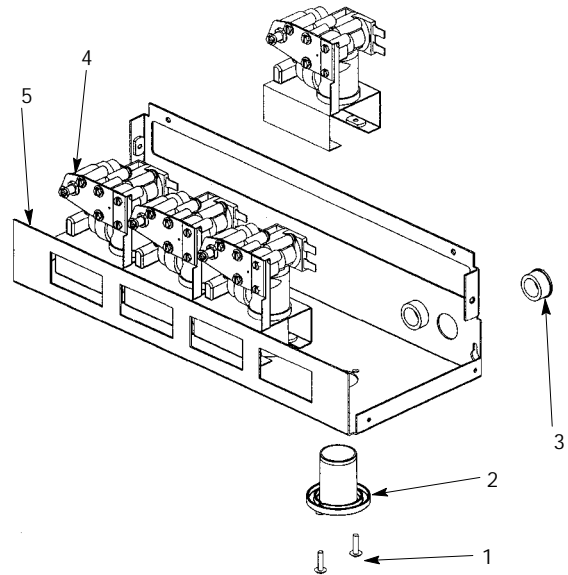


FIGURE 4. DISPENSING ASSEMBLY

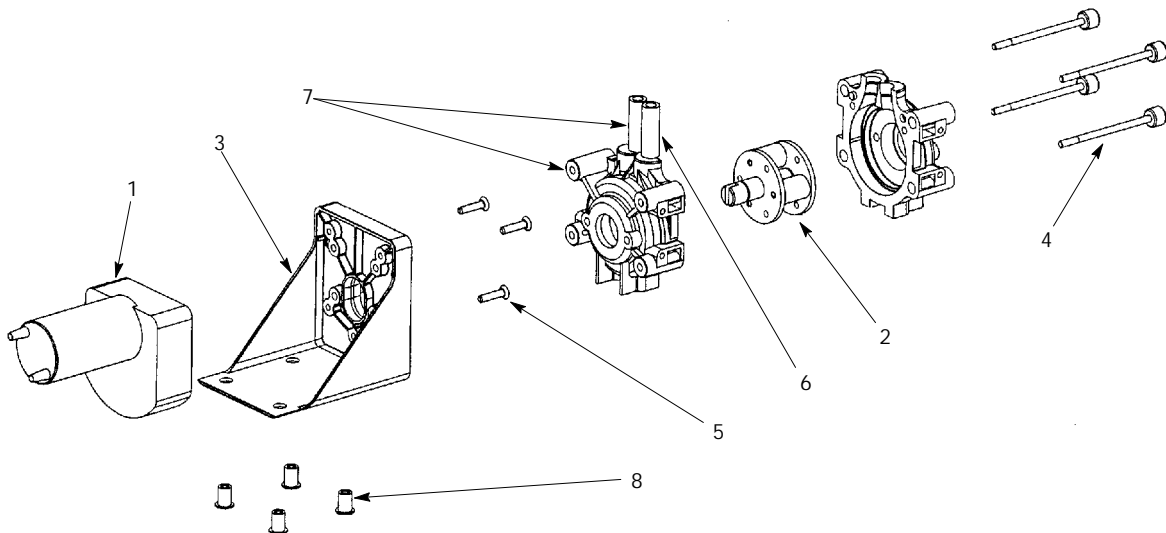


FIGURE 5. PUMP MOTOR ASSEMBLY

Item No.	Part No.	Name
	45185	Pump Motor Asy
1	45016001	Motor Pump 28V 300RPM
2	45728001	Rotor Asy
3	45050	Block Asy Mtg Pump and Motor
4	45017001	Screw Thumb Pump
5	0702905	Screw No. 8 x 3/4" FHMS

Item No.	Part No.	Name
6	7245037	Tube Norprene .250 I.D. (Sold by the Foot)
	45098	Kit Pump Tube Replacement
7	45727	Body Pump Asy
8	45283	Bushing Rubber w/Insert Nut

NOTE: HIGH RATIO (25 TO 1) PUMP KIT USE 48433



IMI CORNELIUS INC.  
 One Cornelius Place  
 Anoka, MN. 55303-6234  
 Telephone 1-800-238-3600  
 Facsimile 1-800-258-0255

www.cornelius.com

## ILLUSTRATED PARTS LIST

### MILLENNIUM (MJ30-4, MJ32-4, MJ31-4) DISPENSER

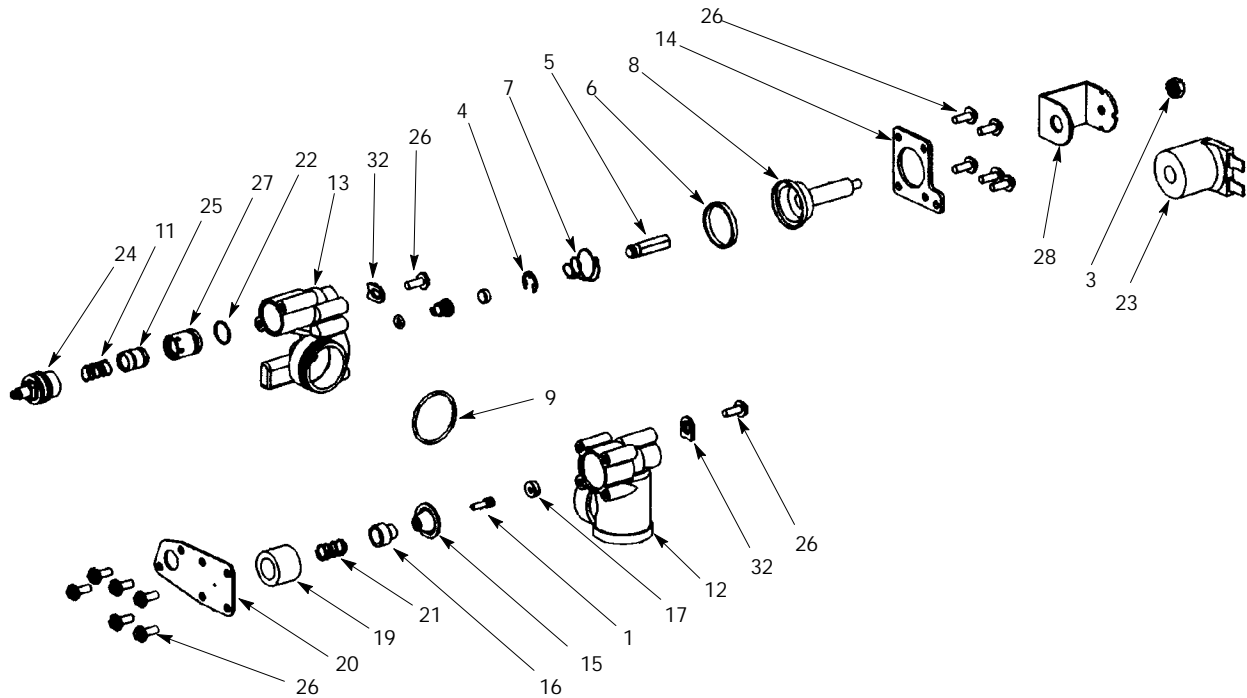


FIGURE 6. VALVE BLOCK ASSEMBLY

Item No.	Part No.	Name
	45045	Block Valve Assy
1	45177	Holder Poppet Seal
2		Not Used
3	0720406	Nut No. 10-32
4	71815321	Ring Ret .242 I.D.
5	71860290	Armature
6	18070002	Gasket Rubber Valve Block
7	18367	Spring Armature
8	19695001	Guide Assy
9	31525021	O-Ring 1.114 I.D.
10	18071	Seat Armature
11	48258005	Spring Syrup
12	45192	Valve Body Mixing
13	45193	Valve Body Water
14	45029	Plate Coil Retainer
15	47011	Diaph
16	45180	Spring Actuator

Item No.	Part No.	Name
17	45189	Poppet
18		Not Used
19	47048	Support Diaph
20	45195	Plate Fnt Valve Block
21	45186	Spring .360 O.D.
22	31525060	O-Ring .459 I.D.
23	48520001	Coil Assy
24	7245699	Flow Cntl Bonnet Assy
25	60280002	Piston Water Ceramic
26	07032001	Screw No. 8-18 x 7/16"
27	60281001	Sleeve Syrup Ceramic
28	16779003	Frame "C" Solenoid
29		Not Shown
30	49612	Port Valve Water
31	31525020	O-Ring .176 I.D.
32	71822081	Washer Holdown



IMI CORNELIUS INC.  
 One Cornelius Place  
 Anoka, MN. 55303-6234  
 Telephone 1-800-238-3600  
 Facsimile 1-800-258-0255

www.cornelius.com

## ILLUSTRATED PARTS LIST

### MILLENNIUM (MJ30-4, MJ32-4, MJ31-4) DISPENSER

Item No.	Part No.	Name
	720201400	Box Elec Asy
1	45238	Reg Voltage Asy
2	720201401	Box Elec
3	720201403	Cover Elec Box
4	0734801	Rivet Pop
5	0704001	Screw 8 x 3/8"
6	59328001	Fuse 6.25 Amp
7	7245059	Fuseholder
8	720201701	Harn Asy Pump Elec Box
9	720201702	Harn Asy Speed Elec Box
10	720201703	Harn Asy PB Switch Elec Box
11	720201704	Harn Asy Power Elec Box
	720202000	Harn Asy Pump to Elec Box
	0733909	Bushing Snap

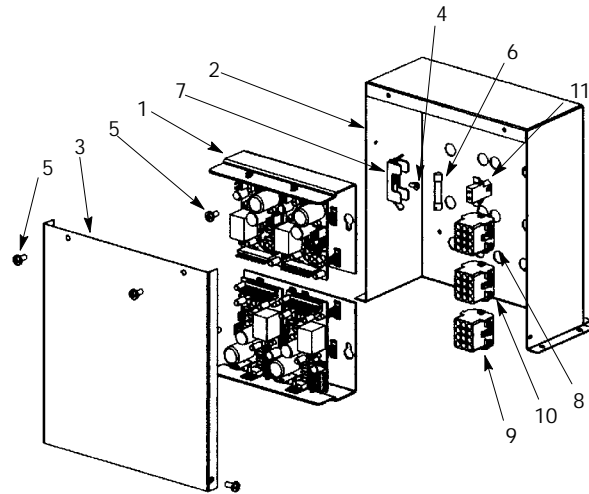


FIGURE 7. ELECTRICAL BOX ASSEMBLY

Item No.	Part No.	Name
	45238	Reg Voltage Asy
1	45162	Brkt Voltage Regulator
2	45056	Support P.C. Board
3	45012102	Kit Replace Voltage Regulator
4	45004	Kit Mounting Voltage Reg
5	45004001	Insulator Voltage Reg

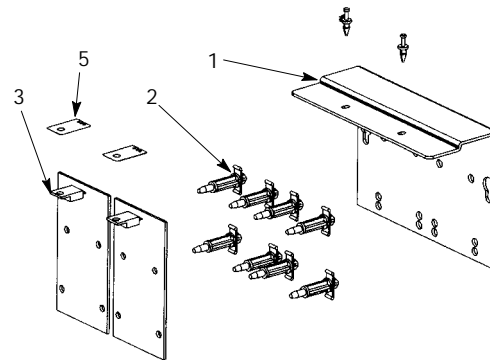


FIGURE 8. VOLTAGE REGULATOR ASSEMBLY

Item No.	Part No.	Name
	7245761	Portion Cntl Board Asy
1	84346601	Switch Overlay
2	0712705	Screw 4-40 x 3/8"
3	84347003	Bezel Portion Cntl
4	84347004	Spacer Portion Cntrl
5	84346801	Spacer Rear Adh
6	7245760	Portion Cntl Board

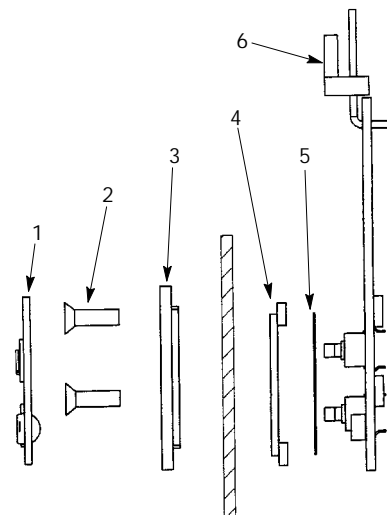


FIGURE 9. PORTION CONTROL ASSEMBLY



IMI CORNELIUS INC.  
 One Cornelius Place  
 Anoka, MN. 55303-6234  
 Telephone 1-800-238-3600  
 Facsimile 1-800-258-0255

www.cornelius.com

## ILLUSTRATED PARTS LIST

### MILLENNIUM (MJ30-4, MJ32-4, MJ31-4) DISPENSER Recommended Spare Parts List (For 10 Dispensers)

Part No.	Name	Qty
45003	Nozzle Mixer O-Ring Asy	4
45123	Mixer Static (Inside Dispense Valve)	4
31525037	O-Ring .739 I.D.	4
45189	Poppet	4
45177	Holder Poppet	4
47011	Diaph with Hole Valve	4
45180	Spring Actuator	4
45186	Spring	4
45179	Support Diaph	4
18070002	Gasket Rubber Valve Block	4
71860290	Armature	4
18071	Seat Armature	4
18367	Spring Armature	4
71815321	Ring Ret	4
31525037	O-Ring .739 I.D.	4
31525021	O-Ring 1.10 I.D.	4
48520001	Coil Asy 24V DC	2
60280002	Piston Water Ceramic	3
60281001	Sleeve Syrup Ceramic	3
31525060	O-Ring .459 I.D.	3

Part No.	Name	Qty
48258005	Spring Syrup	3
7245699	Flow Cntl Bonnet Asy	3
84353001	Switch Asy Push Button	4
45012102	Kit Replace Voltage Regulator	2
720202200	Transfmr Asy 120V 60HZ	1
45432	Switch Rocker	2
59328001	Fuse 6.25 Amp	2
45016001	Motor Pump 28V 300RPM	1
45098	Kit Pump Tube Replacement (Pre-Cut Tube with Clamps)	3
186074001	Control Ice Bank	1
350095	Motor Fan 5W 120V 60HZ	1
350078	Motor Agit 15W 120V 50/60HZ (with Blades)	1
350148	Relay 120V 60HZ	1
350108	Overld Comp 120V 60HZ	1
31314	Bulb Fluor	1
350001	Ballast Finger 120V 60HZ	1
350164	Socket Starter	1
720200100	Drip Tray Asy	1
720200600	Cup Rest	1

### Optional Accessories

Part No.	Name
721900000	Kit Leg Standard (Set of 4 Legs and 2 Support Braces)
721900001	Kit LegNSU (Secures Unit for Use on Ships)
721900002	Kit Leg Adjustable

Part No.	Name
48350007	Kit Bargun 2 Button Single
48350008	Kit Bargun 2 Button Dual
721910000	Kit Portion Control