



GRIDDLE

INSTRUCTION MANUAL

Model: MCSG19B



THANK YOU FOR PURCHASING A MAGIC CHEF PRODUCT. PLEASE
READ ALL INSTRUCTIONS CAREFULLY BEFORE USING THE PRODUCT.

CONTENTS

SAFETY INSTRUCTIONS 3

IMPORTANT SAFEGUARDS 4

BEFORE USE 6

PARTS AND FEATURES 7

OPERATING INSTRUCTIONS 8

COOKING TIPS 9

CARE AND MAINTENANCE 9

WARRANTY 10

What You Need to Know About Safety Instructions

Warning and Important Safety Instructions appearing in this manual are not meant to cover all possible conditions and situations that may occur. Common sense, caution and care must be exercised when installing, maintaining, or operating this appliance.

Always contact your dealer, distributor, service agent or manufacturer about problems or conditions you do not understand.

Recognize Safety Symbols, Words, Labels

WARNING

WARNING-Hazards or unsafe practices which **COULD** result in severe personal injury or death.

CAUTION

CAUTION-Hazards or unsafe practices which **COULD** result in minor personal injury.

IMPORTANT SAFEGUARDS

WARNING

**SAVE THESE INSTRUCTIONS
FOR HOUSEHOLD USE ONLY**

IMPORTANT SAFEGUARDS

PLEASE READ AND SAVE ALL INSTRUCTIONS BEFORE USING THE Griddle. When using an electrical appliance, basic safety precautions should also be observed, including the following.

1. READ ALL INSTRUCTIONS BEFORE USING.

2. Close supervision is necessary when any appliance is used by or near children.
3. Do not use this appliance other than its intended use. Do not use outdoors.
4. Always ensure the product is unplugged from the electrical outlet and that all parts are stopped before assembling, disassembling, relocating, or cleaning.
5. To protect against electric shock, do not immerse cord, plugs, or appliance in water or other liquids.
6. Never move the appliance by pulling the power cord. Do not put any stress on the power cord where it connects to the product, as the power cord could fray and break. **DO NOT** let the electrical cord hang over the edge of a table or counter or touch hot surfaces. Do not use the appliance with a damaged outlet.
7. The use of attachments not recommended or sold by the manufacturer may cause fire, electric shock or injury.
8. Do not plug or unplug the product into or from the electrical outlet with a wet hand. Do not place the base or power cord of this product in or expose to water or other liquids.
9. The cover must be securely locked and in place before operating the appliance. Never, under any circumstances, try to remove or force open the cover while the appliance is operating.
10. Stand the appliance on a surface that is flat, stable, and heat resistant.
11. Do not touch hot surfaces. Use handles or knobs and use protective oven mitts or gloves. Use only heat resistant wooden or plastic utensils to add or remove food.
12. Do not place the product on or near a hot gas or electric burner, or inside or on top of a heated or microwave oven. Never use the appliance near hot surfaces.
13. Keep at least 4 to 6 inches of open space on all sides in well ventilated area.
14. Take proper precautions to prevent the risk of burns, fire, or other personal or property damage. This appliance generates heat and/or steam during use.
15. Do not leave the appliance unattended while it is in use. Always unplug the appliance from the electrical outlet when not in use.
16. Do not operate the product if it has a damaged or cut power cord or plug, if wires are exposed, if it malfunctions, if it is dropped or damaged, or if the motor housing is dropped in or exposed to water. This product has no user-serviceable parts. Do not attempt to examine or repair this product yourself. Only qualified service personnel should perform any servicing.

Notes on the 3-Wire Detachable Cord

This appliance has a 3 wire detachable cord which includes a grounded plug. The detachable cord must be plugged into an outlet that is proper and safe.

Notes on the cord:

1. Do not attempt to alter or modify the plug. Improper usage of the grounded wire can lead to a risk of electric shock. Please consult a qualified electrician if necessary.
2. A short detachable power-supply cord (with temperature control probe) is provided to reduce the hazards such as tripping or entanglement.
3. An extension cord with electrical rating equal to or greater than this appliance may be used. Please note that electrical rating is located on the underside of the temperature control probe and bottom panel of the unit.
4. When using an extension cord, please use caution so that the cord does not drape over the counter or tabletop.
5. Use a 3 wire extension cord with a 3 blade grounding plug only.

WARNING:

To protect against electric shock, fire, and injury to person(s), do not immerse main cord, plug, or unit in water or any other liquid.

CAUTION:

Do not use an extension cord with this appliance. If necessary, an extension cord must have compatible rating for power and voltage. Do not modify the plug and extension cord with this appliance; including 3 prong grounded plug.

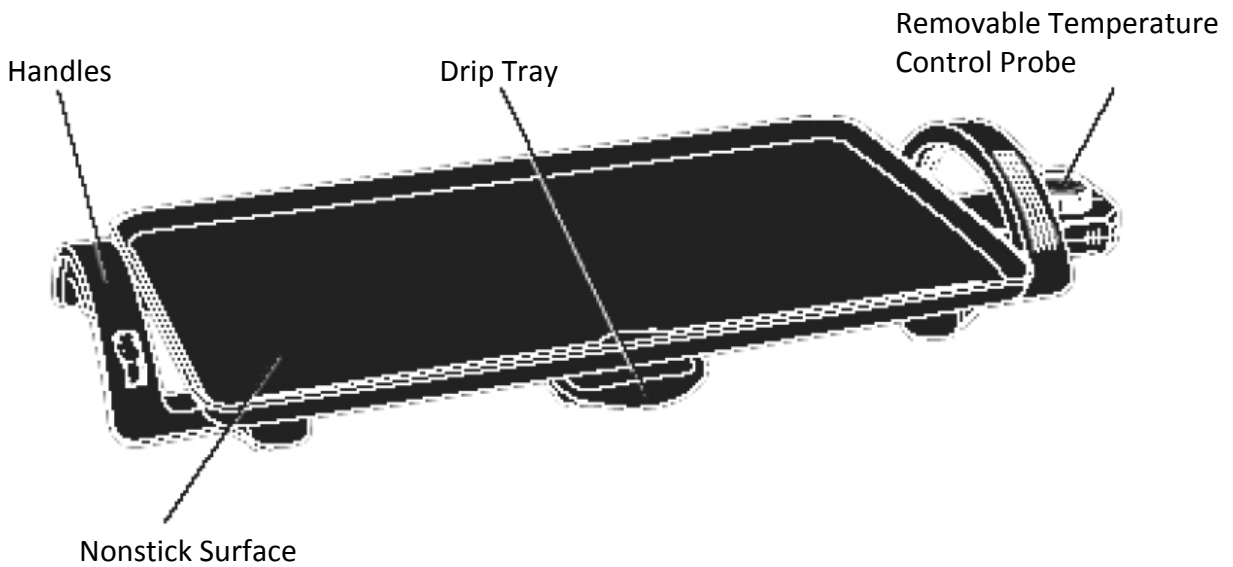
BEFORE USE

1. Carefully unpack the griddle making sure that all packaging materials are removed.
2. Wash the griddle in warm soapy water, rinse, and allow to dry thoroughly to remove any dust that may have accumulated during packaging.
3. Do not use harsh or abrasive cleansers
4. Spread 2 tablespoons of vegetable oil with a soft cloth or paper towel over cooking surface to condition the nonstick surface.
5. Turn the temperature to “Low”.
6. When the griddle has reached its temperature, turn off the unit and allow it to cool completely.

CAUTION: DO NOT USE ABRASIVE OR HARSH CLEANERS ON ANY PART OR PARTS OF THE GRIDDLE

WARNING: DO NOT ALLOW TEMPERATURE CONTROL PROBE OR PLUG TO CONTACT WATER OR OTHER LIQUIDS.

PARTS AND FEATURES



SPECIFICATIONS:

- Voltage Rating: 120V 60Hz
- Power Rating: 1500 Watts
- Cooking Surface: 18.5" x 10.5"

OPERATING INSTRUCTIONS

NOTE: Use only heat-resistant, non-metal utensils to add or remove food. Do not use a metal utensil as it may scratch the cooking plate surface. Clean the cooking plate by wiping them with a water-dampened sponge, cloth, or paper towel.

During the initial use, this item may emit some light smoke. This is normal and will subside with further use. For best result, defrost food or allow warming of the refrigerated food to room temperature before cooking.

1. Position the griddle on a flat, stable, level, and heat –resistant surface. Make sure the location provides 4 to 6 inches of air circulation around the griddle.
2. Ensure that the griddle temperature probe control is in an OFF position prior to inserting the temperature control probe securely in place.
3. Plug the unit into a 120V, 60Hz, AC only electrical outlet.
4. Preheat the griddle by turning the temperature control dial to the desired temperature.
5. On light will indicate that the griddle is on and the light will turn off when griddle is preheated to the selected temperature.
6. The light cycle on and off during cooking which is an indication that the surface temperature is being maintained.

CAUTION: Griddle should be the only appliance plugged into the circuit

7. Add the desired food on the griddle once it has reached the pre-selected temperature.
8. Adjust the temperature to appropriate level based on the amount of food being prepared.
9. Dial may be set to WARM when serving or set to OFF if food is being removed from the griddle immediately after cooking.
10. Immediately after the dial is set to OFF, unplug the griddle from the outlet.
11. Let the griddle cool completely prior to removing the temperature control probe.
12. Clean as directed in CARE AND MAINTENANCE.

CAUTION: Frequently check the drip tray to make sure that it does not overflow. Allow the Griddle to cool completely before removing the drip tray.

CAUTION: Metal portion of the temperature control probe becomes hot immediately after cooking. Please do not remove or touch the probe. Do not let metal portion of the probe touch any material that may melt or burn.

CARE AND MAINTENANCE

WARNING: Always make sure the Griddle is unplugged from the electrical outlet and completely cool the appliance before relocating, adding or removing parts, or cleaning the appliance.

NOTE: Do not use abrasive cleaners or sponge on the griddle.

1. Clean the griddle and the drip tray after each use.
2. Remove the drip tray, control probe and dispose drip tray contents. Wash the Drip tray and griddle base by hand.

WARNING: Do not immerse any part of the griddle, temperature control probe, or the cord in water, dishwasher or any other liquid. Do not put any hot surface into cold water.

3. Wipe down the cord with a damp cloth and dry thoroughly if necessary.
4. Do not use harsh cleansers or abrasive scouring pads on any part of the unit. Use a nylon bristle brush or plastic scrubbing pad if necessary.
5. Soaking the base or griddle plate will damage the nonstick coating.
6. Store the grill in a cool, dry location.

COOKING TIPS

Griddle is useful in preparing foods such as pancakes, sausages, bacon, eggs, ham, steak and French toast.

1. Season the griddle surface prior to cooking foods without butter or oil. Seasoning can be done before initial use or after each cleaning. To season, lightly coat the cool surface with vegetable oil, wait couple of minutes, then wipe the surface dry with a paper towel.
2. Place butter or oil on cold griddle before preheating. Do not use more than 2 tablespoons of oil or butter.
3. Foods may be kept warm by setting the temperature control dial to WARM.
4. Do not use metal utensils when cooking or serving. This will prolong the life of your griddle.



LIMITED WARRANTY

Unless otherwise prohibited, MC Appliance Corporation warrants each **GRIDDLE MCSG19B** to be free from defects in material and workmanship and agrees to remedy any such defect or to furnish a new part(s) (at the company's option) of the unit that fails during the warranty period. **A copy of the dated sales receipt or invoice is required to receive warranty service or a refund.**

This warranty covers an appliance in use within the continental United States, Puerto Rico and Hawaii. The warranty does not cover the following:

- Damages due to shipping or improper installation.
- Damages due to misuse or abuse.
- Content losses due to failure of the unit.
- Repairs performed by unauthorized service agents.
- Service calls that do not involve defects in material and workmanship such as instruction on proper use of the product or improper installation.
- Failure of this product if used for other than for its intended purpose.
- Disposal costs for any failed unit not returned to our factory.
- Any delivery costs incurred as the result of a unit that fails to perform as specified.

This warranty is in lieu of any and all warranties expressed or implied and no representative or person is authorized to assume for us any other liability in connection with the sale of this product. Under no circumstances is the consumer permitted to return this unit to the factory without prior written consent from MC Appliance Corporation.

Model	Parts & Labor	Type of Service
MCSG19B	One-Year	Carry-In

For Service or Assistance please call

888-775-0202

Or visit us on the web at www.magicchef.com to request warranty service