



# KA-H205U Heater unit

## INSTRUCTIONS

Thank you for purchasing the JVC option heater unit. To obtain the best results from your new camera, read these instructions carefully before use; retain the manual for future reference.

### For Customer Use:

Enter below the Serial No. which is located on the body. Retain this information for future reference.

Model No. \_\_\_\_\_


Serial No. \_\_\_\_\_

These instructions are for KA-H205U. These are general IMPORTANT SAFEGUARDS and certain items may not apply to all appliances.

## IMPORTANT SAFEGUARDS

1. Read all of these instructions.
2. Save these instructions for later use.
3. All warnings on the product and in the operating instructions should be adhered to.
4. Unplug this appliance system from the wall outlet before cleaning. Do not use liquid cleaners or aerosol cleaners. Use a damp cloth for cleaning.
5. Do not use attachments not recommended by the appliance manufacturer as they may cause hazards.
6. Do not use this appliance near water - for example, near a bathtub, washbowl, kitchen sink, or laundry tub, in a wet basement, or near a swimming pool, etc.
7. Do not place this appliance on an unstable cart, stand, or table. The appliance may fall, causing serious injury to a child or adult, and serious damage to the appliance may fall, causing serious injury to a child or adult, and serious damage to the appliance. Use only with a cart or stand recommended by the manufacturer, or sold with the appliance. Wall or shelf mounting should follow the manufacturer's instructions, and should use a mounting kit approved by the manufacturer. An appliance and cart combination should be moved with care. Quick stops, excessive force, and uneven surfaces may cause the appliance and cart combination to overturn.
 

PORTABLE CART WARNING (symbol provided by RETAC)



S3125A
8. Slots and openings in the cabinet and the back or bottom are provided for ventilation, and to insure reliable operation of the appliance and to protect it from overheating, these openings must not be blocked or covered. The openings should never be blocked by placing the appliance on a bed, sofa, rug, or other similar surface. This appliance should never be placed near or over a radiator or heat register. This appliance should not be placed in a built-in installation such as a bookcase unless proper ventilation is provided.
9. This appliance should be operated only from the type of power source indicated on the marking label. If you are not sure of the type of power supplied to your home, consult your dealer or local power company. For appliance designed to operate from battery power, refer to the operating instructions.
10. For added protection for this product during a lightning storm, or when it is left unattended and unused for long periods of time, unplug it from the wall outlet and disconnect the antenna or cable system. This will prevent damage to the product due to lightning and power-line surges.
11. Do not allow anything to rest on the power cord. Do not locate this appliance where the cord will be abused by persons walking on it.
12. Follow all warnings and instructions marked on the appliance.
13. Do not overload wall outlets and extension cords as this can result in fire or electric shock.
14. Never push objects of any kind into his appliance through cabinet slots as they may touch dangerous voltage points or short out parts that could result in a fire or electric shock. Never spill liquid of any kind on the appliance.
15. Do not attempt to service this appliance yourself as opening or removing covers may expose you to dangerous voltage or other hazards. Refer all servicing to qualified service personnel.
16. Unplug his appliance from the wall outlet and refer servicing to qualified service personnel under following conditions:
  - a. When the power cord or plug is damaged or frayed.
  - b. If liquid has been spilled into the appliance.
  - c. If the appliance has been exposed to rain or water.
  - d. If the appliance does not operate normally by following the operating instructions. Adjust only those controls that are covered by the operating instructions as improper adjustment of other controls may result in damage and will often require extensive work by a qualified technician to restore the appliance to normal operation.
  - e. If the appliance has been dropped or the cabinet has been damaged.
  - f. When the appliance exhibits a distinct change in performance - this indicates a need for service.
17. When replacement parts are required, be sure the service technician has used replacement parts specified by the manufacturer that have the same characteristics as the original part. Unauthorized substitutions may result in fire, electric shock, or other hazards.
18. Upon completion of any service or repairs to this appliance, ask the service technician to perform routine safety checks to determine that the appliance is in safe operating condition.

PORTABLE CART WARNING (symbol provided by RETAC)

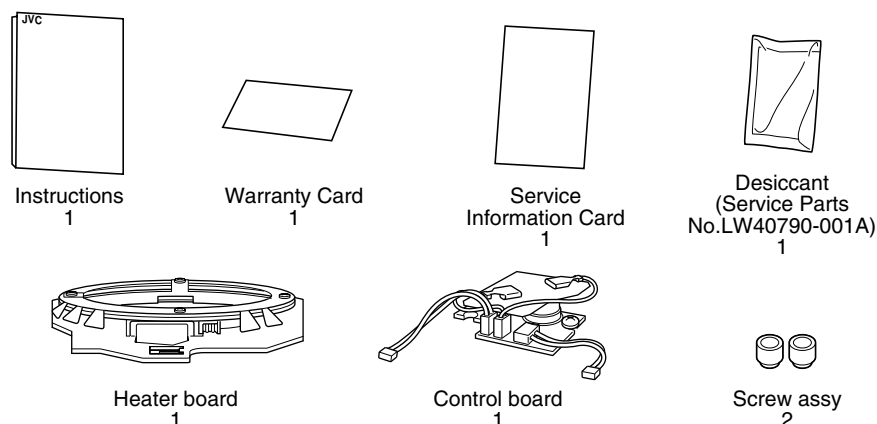


S3125A

## PRECAUTIONS

- To save energy, turn the power off when not in use.
- This unit is a special heater for TK-C205VPU (A) Dome camera. It cannot be installed to other color video cameras.
- Use AC 24 V power supply for TK-C205VPU (A).
- Do not modify this machine without prior permission. Accidents may occur.
- Refer to the "Instructions" for TK-C205VPU (A) on installing the camera and connecting the cables.
- After installing to TK-C205VPU (A), switch off the machine power supply and then connect.
- Always use the desiccant that comes with this unit. Other desiccants or the silica gel that comes with TK-C205VPU (A) are unable to remove moisture completely under extreme low temperature.
- When the heater board is installed, the switch on the camera unit is hidden and image adjustment cannot be made. Always adjust the image quality before installing the heater.
- Do not use the heater unit in the following locations:
  - Locations where the surrounding temperature exceeds -40°F to 122°F (-40°C to 50°C).
  - Locations where corrosive gas occurs.
  - Vibrating locations

## Contents



## Installation Method

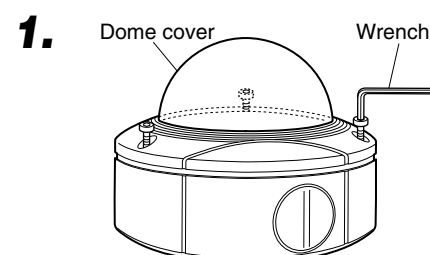
- This unit consists of a heater board and a control board. Install these two boards to TK-C205VPU (A).

## 1 Disassembling TK-C205VPU (A)

- Switch off the power supply of the camera.

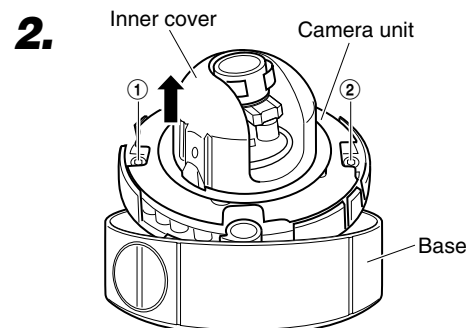
### 1. Remove the dome cover

Loosen the 3 screws on the dome cover that secures it with the wrench that comes with TK-C205VPU (A).



### 2. Remove the camera unit

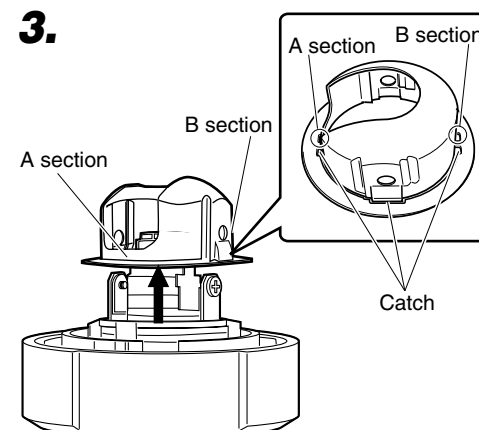
Loosen the screws on the camera unit in the order of ① and ②, and remove the camera unit from the base.



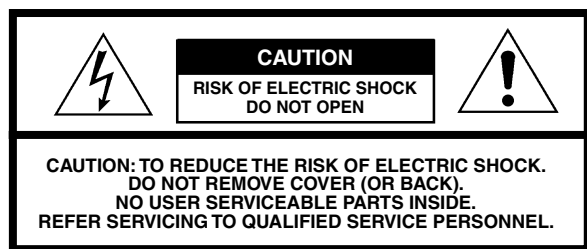
### 3. Remove the inner cover

Press A, B sections lightly and remove the inner cover. After removing the inner cover from the camera unit, fold the 4 catches and remove the ring section.

**CAUTION :** Once the ring section of the inner cover is removed, it cannot be placed back.



### For USA and CANADA



The lightning flash with arrowhead symbol, within an equi-lateral triangle, is intended to alert the user to the presence of uninsulated "dangerous voltage" within the product's enclosure that may be of sufficient magnitude to constitute a risk of electric shock to persons.



The exclamation point within an equi-lateral triangle is intended to alert the user to the presence of important operating and maintenance (servicing) instructions in the literature accompanying the appliance.

**WARNING: TO PREVENT FIRE OR SHOCK HAZARD, DO NOT EXPOSE THIS UNIT TO RAIN OR MOISTURE.**

### Information for USA

This device complies with Part 15 of the FCC Rules. Changes or modifications not approved by JVC could void the user's authority to operate the equipment.

### INFORMATION (FOR CANADA) RENSEIGNEMENT (POUR LE CANADA)

This Class [B] digital apparatus complies with Canadian ICES-003. Cet appareil numérique de la classe [B] est conforme à la norme NMB-003 du Canada.

Due to design modification, data given in this instruction book are subject to possible change without prior notice.

**WARNING: This installation should be made by a qualified service person and should conform to all local codes.**

## 2 Installing the control board

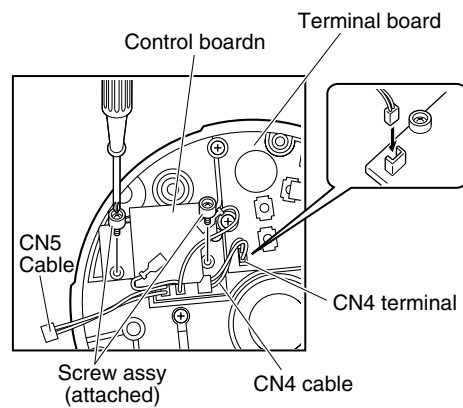
### 1. Install the control board

Use the supplied two screw assy on the left side of the terminal board and install the control board.

### 2. Connect the CN4 cable

Connect the CN4 cable on the control board to the CN4 terminal on the terminal board.

Meanwhile, bring the CN5 cable out of the base.



## 3 Before installing the heater board

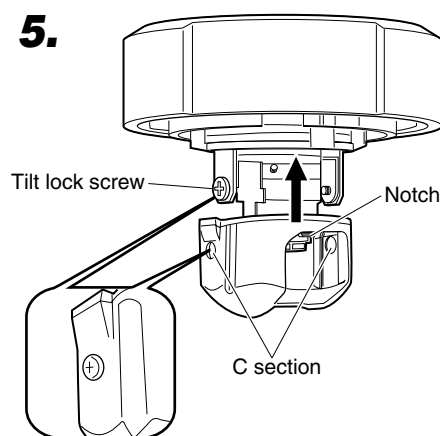
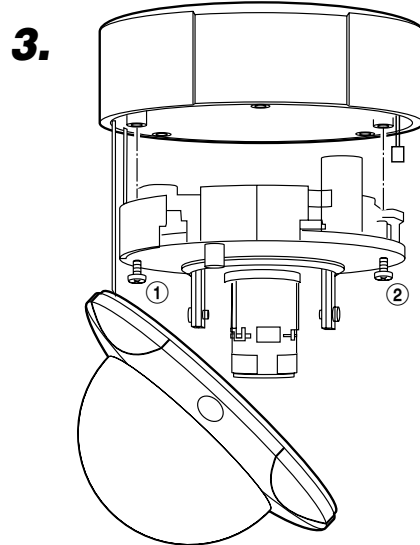
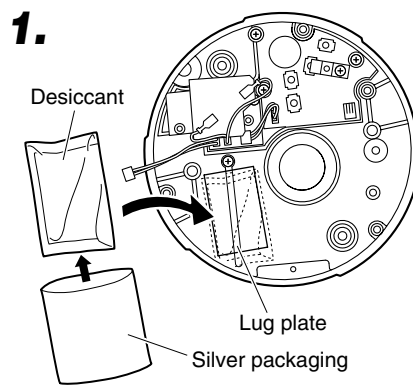
### 1. Put the desiccant inside the base

Put the desiccant that comes with this unit inside the base and secure with a lug plate.

#### Memo:

- Remove the desiccant from its silver packaging before use.
- Always replace the desiccant during repair, reconnection during maintenance or reinstallation.

When replacing the desiccant, use a desiccant with Service Parts No. LW40790-001A.



**CAUTION**

Always use the desiccant that comes with this unit. Other desiccants or the silica gel that comes with TK-C205VPU (A) are unable to remove moisture completely under extreme low temperature.

### 2. Install TK-C205VPU (A) on the ceiling

Refer to TK-C205VPU (A) "INSTRUCTIONS" for the installation method.

### 3. Install the camera unit

Align ① and ② of the base with ① and ② of the camera unit and tighten with screws. When doing this, tighten the screws of the camera unit in the order of ①, ②.

### 4. Adjust the field angle and lens of the camera

Switch on the power supply of the camera. Refer to TK-C205VPU (A) "INSTRUCTIONS" on how to adjust the field angle and lens of the camera.

After adjusting the field angle and lens of the camera, switch off the power supply of the camera.

**CAUTION**

When the heater board is installed, the switch on the camera unit is hidden and image adjustment cannot be made. Always adjust the image quality before installing the heater.

### 5. Install the inner cover

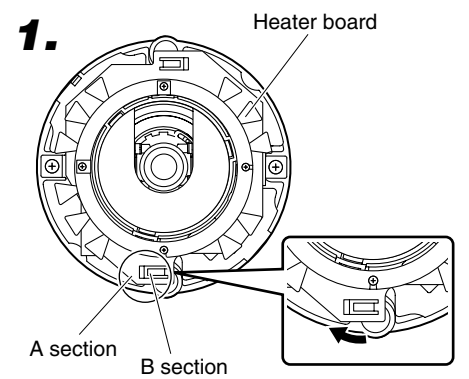
Mount the inner cover such that the tilt lock screw can be seen from the hole on C section. When mounting, make sure that the notch of the inner cover comes to the direction which the lens of the camera is facing.

## 4 Installing the heater board

Install the heater after adjusting the field angle and lens of the camera.

### 1. Install the heater board to the camera unit

Rotate the heater in the direction of the arrow such that the claw (B section) of the heater board is hooked on the notch (A section) of the camera unit.



**CAUTION**

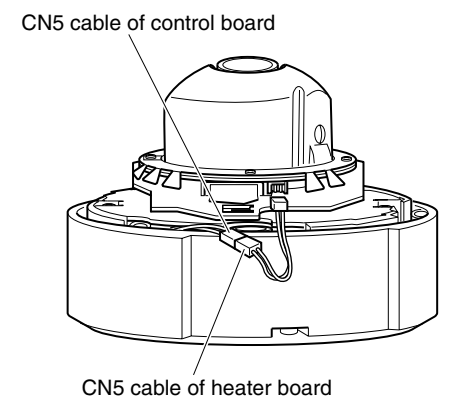
- Pay attention when installing the heater board to the camera unit as there is a correct direction.
- The dome cover cannot be installed if the heater board is not installed securely.

### 2. Connect the cable

Connect the CN5 cable of the control board to the CN5 cable of the heater board.

Once the CN5 cables are connected, insert them between the base and camera unit.

### 2.



**CAUTION**

- When connecting CN5 cable of the control board to the CN5 cable of the heater board under cold weather conditions below 50°F (10°C), the heater will turn ON automatically and become very hot. Avoid being scalded.
- Heater elements could be hot! When camera power is on, use with caution when adjusting the camera.
- Make sure that the cable does not touch the components such as resistors on the heater board.

## 5 Installing the dome cover

Refer to TK-C205VPU (A) "INSTRUCTIONS" for the installation method of the dome cover.

## 6 Check items after installation

Check the following items after installation.

- Is the power supply for TK-C205VPU (A) AC 24 V?
- Have you inserted the desiccant that comes with this unit?
- Are the CN5 cables inserted between the base and camera unit?
- Does the cable touch the components such as resistors on the heater board?
- Does an image appear normally on the monitor after switching on the power for TK-C205VPU (A)?

## Specifications

**Power supply / Voltage** : AC 24 V ± 10%, 60 Hz/50 Hz (recommended)

**Power consumption** : 15 W (during AC 24 V)

**Heater operation** : Surrounding temperature -40°F to 32°F (-40°C to 0°C) (auto on/off)

\*By using this unit, the operation guarantee temperature of the camera becomes -40°F to 122°F (-40°C to 50°C).

**Locations free from vibration and shock**

**Locations free from salt erosion and corrosive gases**

**Mass** : 100g (total mass of heater board, control board, desiccant and screw assy)

**Accessories** :

- Instructions ..... 1
- Service Information Card ..... 1
- Heater unit ..... 1
- Warranty Card ..... 1
- Desiccant (Service Parts No. LW40790-001A) ..... 1
- Screw assy ..... 2

\* Design and specifications are subject to change without notice.

# JVC®

JVC® is a Registered Trademark owned by Victor Company of Japan, Limited.

JVC® is a Registered Trademark in Japan, the U.S.A., the U.K. and many other countries.