



www.oliverisinks.com



Model No:
883U & 884U
 DOWN UNDER MOUNT SINK



INCLUDED ACCESSORIES



AC09 Basket Waste x 1

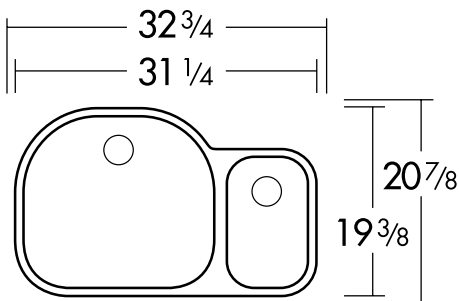


AC75 Basin Protector



Undermount CAD files (DXF & DWG format) can be downloaded from our web site www.oliverisinks.com

Model No. **883U**
 DIMENSIONS

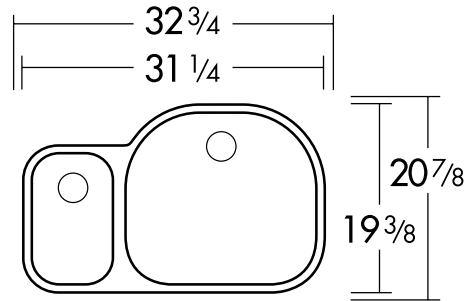


Super Basin
 20 x 18 x 10" deep
 12.7 Gallon Capacity



Mini Basin
 8 1/2 x 13 3/4 x 6" deep
 2.4 Gallon Capacity

Model No. **884U**
 DIMENSIONS



Super Basin
 20 x 18 x 10" deep
 12.7 Gallon Capacity



Mini Basin
 8 1/2 x 13 3/4 x 6" deep
 2.4 Gallon Capacity

MATERIAL	CONSTRUCTION	SHIPPING WEIGHT	INSTALLATION METHOD	CABINET
Stainless Steel 304 Grade 18 Gauge	Individual bowls welded into rim	(Packed) 26.5 lb	Includes Template and Installation Clips Designed to be under-mounted into a solid surface counter	Minimum 36"



Head Office & Manufacturing Plant
 Tasman Sinkware Pty Ltd
 51 Naweena Road, Regency Park
 South Australia 5010 AUSTRALIA

US Office
 PO Box 11120
 Wilmington NC 28405
Email contact
tasmansink@aol.com

Manufactured in Australia to highest quality standards. Tasman Sinkware is Quality Endorsed to ISO 9001-2000.