



MP3/WMA/AAC CD Receiver

CDE-9881

MP3



AAC



- **OWNER'S MANUAL**
Please read before using this equipment.
- **MODE D'EMPLOI**
Veuillez lire avant d'utiliser cet appareil.
- **MANUAL DE OPERACIÓN**
Léalo antes de utilizar este equipo.

ALPINE ELECTRONICS MARKETING, INC.
1-1-8 Nishi Gotanda,
Shinagawa-ku,
Tokyo 141-0031, Japan
Phone 03-5496-8231

ALPINE ELECTRONICS OF AMERICA, INC.
19145 Gramercy Place, Torrance,
California 90501, U.S.A.
Phone 1-800-ALPINE-1 (1-800-257-4631)

ALPINE ELECTRONICS OF CANADA, INC.
777 Supertest Road, Toronto,
Ontario M3J 2M9, Canada
Phone 1-800-ALPINE-1 (1-800-257-4631)

ALPINE ELECTRONICS OF AUSTRALIA PTY. LTD.
161-165 Princes Highway, Hallam
Victoria 3803, Australia
Phone 03-8787-1200

ALPINE ELECTRONICS GmbH
Frankfurter Ring 117, 80807 München, Germany
Phone 089-32 42 640

ALPINE ELECTRONICS OF U.K. LTD.
Alpine House
Fletchamstead Highway, Coventry CV4 9TW, U.K.
Phone 0870-33 33 763

ALPINE ELECTRONICS FRANCE S.A.R.L.
(RCS PONTOISE B 338 101 280)
98, Rue de la Belle Etoile, Z.I. Paris Nord II,
B.P. 50016, 95945 Roissy Charles de Gaulle
Cedex, France
Phone 01-48638989

ALPINE ITALIA S.p.A.
Viale C. Colombo 8, 20090 Trezzano
Sul Naviglio (MI), Italy
Phone 02-484781

ALPINE ELECTRONICS DE ESPAÑA, S.A.
Portal de Gamarra 36, Pabellón, 32
01013 Vitoria (Alava)-APDO 133, Spain
Phone 945-283588

ALPINE ELECTRONICS (BENELUX) GmbH
Leuvensesteenweg 510-B6,
1930 Zaventem, Belgium
Phone 02-725-13 15

EN

FR

ES

Contents

Operating Instructions

WARNING

WARNING	3
CAUTION	3
PRECAUTIONS	3

Getting Started

Accessory List	6
Turning Power On and Off	6
Detaching and Attaching the Front Panel	6
Initial System Start-Up	6
Adjusting Volume	7
Lowering Volume Quickly	7
Setting Time	7

Radio

Listening to Radio	7
Presetting Stations Manually	8
Presetting Stations Automatically	8
Tuning to Preset Stations	8

CD/MP3/WMA/AAC

Playback	8
Repeat Play	9
M.I.X. (Random Play)	9
Searching from CD Text	9
File/Folder Name Search (concerning MP3/WMA/AAC)	10
Quick Search	10
About MP3/WMA/AAC	10

Sound Setting

Adjusting Bass/Treble/Balance (Between Left and Right)/Fader (Between Front and Rear)/ Defeat	12
Setting the Bass Control	12
Setting the Treble Control	13
Adjusting the High Pass Filter	13
Turning Loudness On/Off	13

Other Functions

Displaying the Text	14
Displaying Time	14

SETUP

Sound Customizing

Subwoofer On and Off	15
Setting the Subwoofer System	15

Visual Customizing

Dimmer Control	15
Scroll Type Setting	15
Scroll Setting (TEXT SCROLL)	15
Setting the Language Font	16
Adjusting Display Contrast	16
Demonstration	16

MP3/WMA/AAC

Playing MP3/WMA/AAC Data (Play Mode)	16
-----------------------------------------------	----

External Device

Connecting to an External Amplifier	16
-------------------------------------------	----

iPod® (Optional)

Playback	17
Searching for a desired Song	17
Quick Search	18
Direct Search Function	18
Select Playlist/Artist/Album/Podcast/Genre/ Composer	18
Random Play Shuffle (M.I.X.)	19
Repeat Play	19
Displaying the Text	19

Information

In Case of Difficulty	20
Specifications	22

Installation and Connections

Warning	23
Caution	23
Precautions	23
Installation	24
Connections	26

LIMITED WARRANTY

Operating Instructions

WARNING

 **WARNING**

This symbol means important instructions. Failure to heed them can result in serious injury or death.

DO NOT OPERATE ANY FUNCTION THAT TAKES YOUR ATTENTION AWAY FROM SAFELY DRIVING YOUR VEHICLE.

Any function that requires your prolonged attention should only be performed after coming to a complete stop. Always stop the vehicle in a safe location before performing these functions. Failure to do so may result in an accident.

KEEP THE VOLUME AT A LEVEL WHERE YOU CAN STILL HEAR OUTSIDE NOISES WHILE DRIVING.

Excessive volume levels that obscure sounds such as emergency vehicle sirens or road warning signals (train crossings, etc.) can be dangerous and may result in an accident. LISTENING AT LOUD VOLUME LEVELS IN A CAR MAY ALSO CAUSE HEARING DAMAGE.

MINIMIZE DISPLAY VIEWING WHILE DRIVING.

Viewing the display may distract the driver from looking ahead of the vehicle and cause an accident.

DO NOT DISASSEMBLE OR ALTER.

Doing so may result in an accident, fire or electric shock.

USE ONLY IN CARS WITH A 12 VOLT NEGATIVE GROUND.

(Check with your dealer if you are not sure.) Failure to do so may result in fire, etc.

KEEP SMALL OBJECTS SUCH AS BATTERIES OUT OF THE REACH OF CHILDREN.

Swallowing them may result in serious injury. If swallowed, consult a physician immediately.

USE THE CORRECT AMPERE RATING WHEN REPLACING FUSES.

Failure to do so may result in fire or electric shock.

DO NOT BLOCK VENTS OR RADIATOR PANELS.

Doing so may cause heat to build up inside and may result in fire.

USE THIS PRODUCT FOR MOBILE 12V APPLICATIONS.

Use for other than its designed application may result in fire, electric shock or other injury.

DO NOT PLACE HANDS, FINGERS OR FOREIGN OBJECTS IN INSERTION SLOTS OR GAPS.

Doing so may result in personal injury or damage to the product.

 **CAUTION**

This symbol means important instructions. Failure to heed them can result in injury or material property damage.

HALT USE IMMEDIATELY IF A PROBLEM APPEARS.

Failure to do so may cause personal injury or damage to the product. Return it to your authorized Alpine dealer or the nearest Alpine Service Center for repairing.

 **PRECAUTIONS**

Product Cleaning

Use a soft dry cloth for periodic cleaning of the product. For more severe stains, please dampen the cloth with water only. Anything else has the chance of dissolving the paint or damaging the plastic.

Temperature

Be sure the temperature inside the vehicle is between +60°C (+140°F) and -10°C (+14°F) before turning your unit on.

Moisture Condensation

You may notice the CD playback sound wavering due to condensation. If this happens, remove the disc from the player and wait about an hour for the moisture to evaporate.

Damaged Disc

Do not attempt to play cracked, warped, or damaged discs. Playing a bad disc could severely damage the playback mechanism.

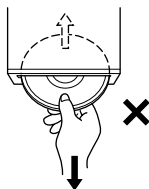
Maintenance

If you have problems, do not attempt to repair the unit yourself. Return it to your Alpine dealer or the nearest Alpine Service Station for servicing.

Never Attempt the Following

Do not grip or pull out the disc while it is being pulled back into the player by the automatic reloading mechanism.

Do not attempt to insert a disc into the unit when the unit power is off.



Inserting Discs

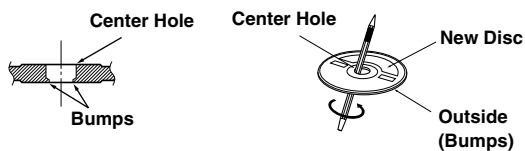
Your player accepts only one disc at a time for playback. Do not attempt to load more than one disc.

Make sure the label side is facing up when you insert the disc. "ERROR" will be displayed on your player if you insert a disc incorrectly. If "ERROR" continues to be displayed even though the disc has been inserted correctly, push the RESET switch with a pointed object such as a ballpoint pen.

Playing a disc while driving on a very bumpy road may result in skips, but this will not scratch the disc or damage the player.

New Discs

To prevent the CD from jamming, "ERROR" is displayed if discs with irregular surfaces are inserted or if discs are inserted incorrectly. When a new disc is ejected immediately after initial loading, use your finger to feel around the inside of the center hole and outside edge of the disc. If you feel any small bumps or irregularities, this could inhibit proper loading of the disc. To remove the bumps, rub the inside edge of the hole and outside edge of the disc with a ballpoint pen or other such instrument, then insert the disc again.



Irregular Shaped Discs

Be sure to use round shape discs only for this unit and never use any special shape discs.

Use of special shape discs may cause damage to the mechanism.



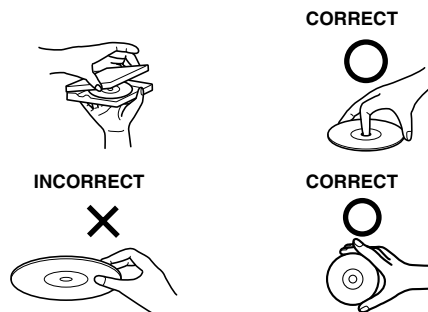
Installation Location

Make sure this unit will not be installed in a location subjected to:

- Direct sun and heat
- High humidity and water
- Excessive dust
- Excessive vibrations

Correct Handling

Do not drop the disc while handling. Hold the disc so you will not leave fingerprints on the surface. Do not affix tape, paper, or gummed labels to the disc. Do not write on the disc.



Disc Cleaning

Fingerprints, dust, or soil on the surface of the disc could cause the CD player to skip. For routine cleaning, wipe the playing surface with a clean, soft cloth from the center of the disc to the outer edge. If the surface is heavily soiled, dampen a clean, soft cloth in a solution of mild neutral detergent before cleaning the disc.



Disc Accessories

There are various accessories available on the market for protecting the disc surface and improving sound quality. However, most of them will influence the thickness and/or diameter of the disc. Using such accessories can cause the disc to be out of standard specifications and may create operational problems. We recommend not using these accessories on discs played in Alpine CD players.



On handling Compact Discs (CD/CD-R/CD-RW)

- Do not touch the surface.
- Do not expose the disc to direct sunlight.
- Do not affix stickers or labels.
- Clean the disc when it is dusty.
- Make sure that there are no bumps around the disc.
- Do not use commercially available disc accessories.

Do not leave the disc in the car or the unit for a long time. Never expose the disc to direct sunlight. Heat and humidity may damage the CD and you may not be able to play it again.

To customers using CD-R/CD-RW

- If a CD-R/CD-RW cannot be played back, make sure the last recording session was closed (finalized).
- Finalize the CD-R/CD-RW if necessary, and attempt playback again.

About media that can be played

Use only compact discs with the label side showing the CD logo marks below.



If you use unspecified compact discs, correct performance cannot be guaranteed.

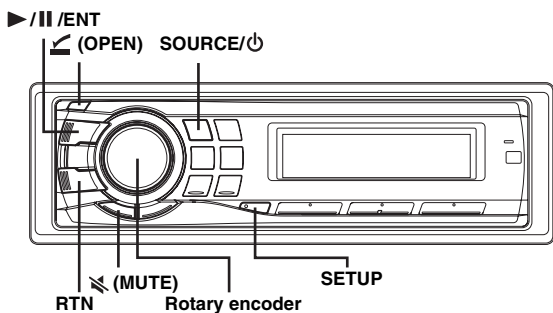
You can play CD-Rs (CD-Recordables)/CD-RWs (CD-ReWritables) which have been recorded only on audio devices.

You can also play CD-Rs/CD-RWs containing MP3/WMA/AAC formatted audio files.

- Some of the following CDs may not play on this unit:
Flawed CDs, CDs with fingerprints, CDs exposed to extreme temperatures or sunlight (e.g., left in the car or this unit), CDs recorded under unstable conditions, CDs on which a recording failed or a re-recording was attempted, copy-protected CDs which do not conform to the audio CD industry standard.
- Use discs with MP3/WMA/AAC files written in a format compatible with this unit. For details, see pages 10-11.
- ROM data other than audio files contained in a disc will not produce sound when played back.

-
- *Windows Media and the Windows logo are trademarks, or registered trademarks of Microsoft Corporation in the United States and/or other countries.*
 - *Apple, the Apple logo, iPod and iTunes are trademarks of Apple Computer, Inc., registered in the U.S. and other countries.*
 - *“MPEG Layer-3 audio coding technology licensed from Fraunhofer IIS and Thomson.”*
 - *“Supply of this product only conveys a license for private, non-commercial use and does not convey a license nor imply any right to use this product in any commercial (i.e. revenue-generation) real time broadcasting (terrestrial, satellite, cable and/or any other media), broadcasting/streaming via internet, intranets and/or other networks or in other electronic content distribution systems, such as pay-audio or audio-on-demand applications. An independent license for such use is required. For details, please visit <http://www.mp3licensing.com>”*

Getting Started



Accessory List

- Head unit1
- Power cable.....1
- Mounting sleeve.....1
- Carrying case.....1
- Bracket key.....2
- Screw (M5 × 8).....4
- Owner's Manual 1 set

Turning Power On and Off

Press **SOURCE/⏻** to turn on the unit.

- The unit can be turned on by pressing any other button except **TITLE** and **◀ (OPEN)**.

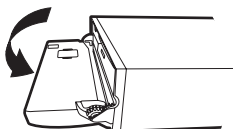
Press and hold **SOURCE/⏻** for at least 2 seconds to turn off the unit.

- The first time power is turned on, the volume will start from level 12.

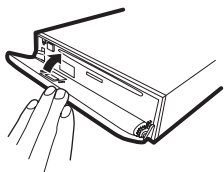
Detaching and Attaching the Front Panel

Detaching

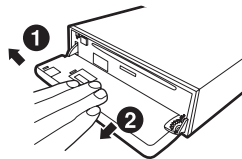
- 1 Turn off the unit power.
- 2 Press **◀ (OPEN)** to open the front panel.



To close the front panel, press the left side until it locks as shown in the figure below.



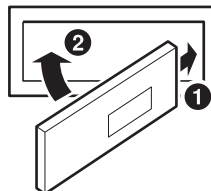
- 3 Grasp the front panel firmly, slide to the left ①, and then pull ② to remove.



- The front panel may become hot in normal usage (especially the connector terminals on the back of the front panel). This is not a malfunction.
- To protect the front panel, place it in the supplied carrying case.
- When detaching the front panel, do not apply excessive force as it may result in malfunction.
- Do not leave the front panel open, or drive the car with the panel open as it may result in an accident or malfunction.

Attaching

- 1 Insert the right side of the front panel into the main unit. Align the groove on the front panel with the projections on the main unit.
- 2 Push the left side of the front panel until it locks firmly into the main unit.

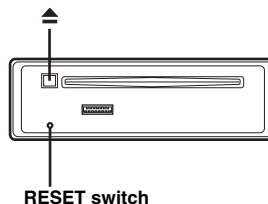


- Before attaching the front panel, make sure that there is no dirt or dust on the connector terminals and no foreign object between the front panel and the main unit.
- Attach the front panel carefully, holding the sides of the front panel to avoid pushing buttons by mistake.

Initial System Start-Up

Be sure to press the RESET switch when using the unit for the first time, after changing the car battery, etc.

- 1 Turn off the unit power.
- 2 Press **◀ (OPEN)** to open the front panel, and then remove it.
- 3 Press **RESET** with a ballpoint pen or similar pointed object.



Adjusting Volume

Turn the **Rotary encoder** until the desired sound is obtained.

Lowering Volume Quickly

Activating the Audio Mute function will instantly lower the volume level by 20 dB.

Press **MUTE** to activate the **MUTE mode**.
The audio level will decrease by about 20 dB.

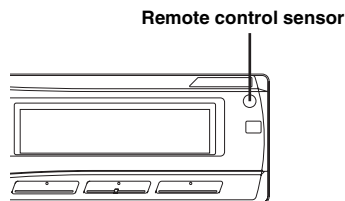
Pressing **MUTE** again will bring the audio back to its previous level.

Setting Time

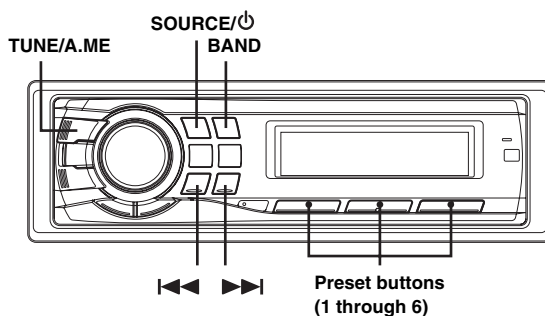
- 1 Press **SETUP** to activate the **SETUP mode**.
 - 2 Turn the **Rotary encoder** to select the **CLOCK ADJUST mode**, and then press **▶/||/ENT**.
The time indication will blink.
 - 3 Turn the **Rotary encoder** to adjust the hours while the time indication is blinking.
 - 4 When the hour has been adjusted, press **▶/||/ENT**.
 - 5 Turn the **Rotary encoder** to adjust the minutes while the time indication is blinking.
 - 6 Press **SETUP** to return to normal mode.
- To synchronize the clock to another clock/watch or radio time announcement, press and hold **▶/||/ENT** for at least 2 seconds after setting the "hour." Minutes will reset to "00". If the display shows over "30" minutes when you do this, the time will advance one hour.
 - Pressing **RTN** will return to the previous mode.
 - If no operation is performed for 60 seconds, the unit will return to normal mode automatically.

Controllable with Remote Control

This unit can be controlled with an optional Alpine remote control. For details, consult your Alpine dealer.
Point the optional remote control transmitter at the remote control sensor.



Radio



Listening to Radio

- 1 Press **SOURCE/⏻** to select **TUNER mode**.
 - 2 Press **BAND** repeatedly until the desired radio band is displayed.
F1 (FM1) → F2 (FM2) → AM → F1 (FM1)
 - 3 Press **TUNE/A.ME** to select the tuning mode.
DX SEEK (Distance mode) → SEEK (Local mode) → OFF (Manual mode) → DX SEEK
 - The initial mode is Distance mode.
- Distance mode:**
Both strong and weak stations will be automatically tuned in (Automatic Seek Tuning).
- Local mode:**
Only strong stations will be automatically tuned in (Automatic Seek Tuning).
- Manual mode:**
The frequency is manually tuned in steps (Manual tuning).
- 4 Press **◀◀** or **▶▶** to tune in the desired station.
Holding down **◀◀** or **▶▶** will change the frequency continuously.

Presetting Stations Manually

- 1 Select the radio band and tune in a desired radio station you wish to store in the preset memory.
 - 2 Press and hold, for at least 2 seconds, any one of the preset buttons (1 through 6) into which you wish to store the station.
The selected station is stored.
The display shows the band, preset number and station frequency memorized.
- A total of 18 stations can be stored in the preset memory (6 stations for each band; FM1, FM2 and AM).
 - If you store a station in a preset memory which already has a station, the current station will be cleared and replaced with the new station.

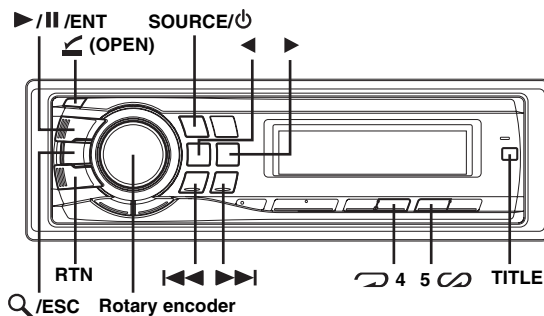
Presetting Stations Automatically

- 1 Press **BAND** repeatedly until the desired radio band is displayed.
 - 2 Press and hold **TUNE/A.ME** for at least 2 seconds.
The frequency on the display continues to change while the automatic memory is in progress. The tuner will automatically seek and store 6 strong stations in the selected band. They will be stored into preset buttons 1 to 6 in order of signal strength.
When the automatic memory has been completed, the tuner goes to the station stored in preset location No. 1.
- If no stations are stored, the tuner will return to the original station you were listening to before the auto memory procedure began.

Tuning to Preset Stations

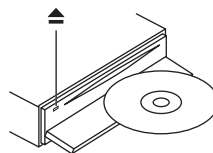
- 1 Press **BAND** repeatedly until the desired band is displayed.
- 2 Press any one of the station preset buttons (1 through 6) that has your desired radio station in memory.
The display shows the band, preset number and frequency of the station selected.

CD/MP3/WMA/AAC



Playback

- 1 Press **(OPEN)**.
The front panel will open.
- 2 Insert a disc with the label side facing up.
The disc will be pulled into the unit automatically.



Close the front panel manually, and the "DISC IN" indicator lights up.

When a disc is already inserted, press **SOURCE/⏻** to switch to the DISC mode.

The mode will change every time the button is pressed.

TUNER → DISC → iPod* → TUNER

* Only when the iPod is connected.

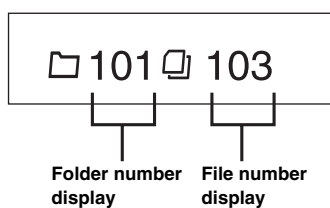
- 3 While playing back MP3/WMA/AAC, press **◀** or **▶** to select the desired folder.
Pressing and holding **◀** or **▶** will change folders continuously.
- 4 Press **◀◀** or **▶▶** to select the desired track (file).
Returning to the beginning of the current track (file):
Press **◀◀**.
Fast backward:
Press and hold **◀◀**.
Advancing to the beginning of the next track (file):
Press **▶▶**.
Fast forward:
Press and hold **▶▶**.
- 5 To pause playback, press **▶/||/ENT**.
Pressing **▶/||/ENT** again will resume playback.

6 After pressing **OPEN** to open the front panel, press **EJECT** to eject the disc.

- Do not remove a CD during its eject cycle. Do not load more than one disc at a time. A malfunction may result from doing either.
- If the CD does not eject, press and hold **EJECT** for at least 2 seconds.
- The “DISC IN” indicator lights up when a disc is inserted.
- The CD-player can play discs containing audio data, MP3 data, WMA data and AAC data.
- “MP3” is displayed during MP3 playback.
- “WMA” is displayed during WMA playback.
- “AAC” is displayed during AAC playback.
- WMA format files that are protected by DRM (Digital Rights Management), AAC format files that have been purchased from iTunes Music Store and files that are copy-protected (copyright protection) cannot be played back on this unit.
- The track display for MP3/WMA/AAC data playback is the file numbers recorded on the disc.
- The playback time may not be correctly displayed when a VBR (Variable Bit Rate) recorded file is played back.

MP3/WMA/AAC Play Display

The folder number and file number will be displayed as described below.



- Press **TITLE** to switch the display. See “Displaying the Text” (page 14) for information about display switching.

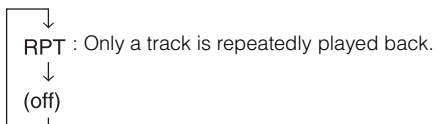
Repeat Play

Press **REPEAT** 4 to play back repeatedly the track being played.

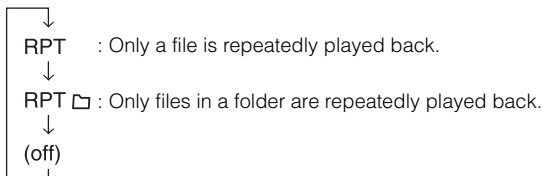
The track (file) will be played repeatedly.

Press **REPEAT** 4 again and select off to deactivate repeat play.

CD mode :



MP3/WMA/AAC mode :



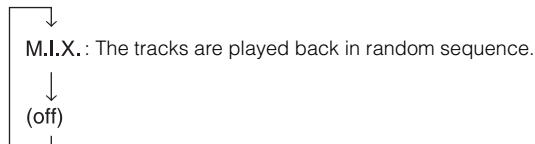
M.I.X. (Random Play)

Press **5** **SHUFFLE** in the play or pause mode.

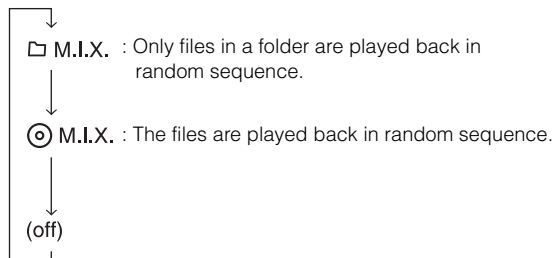
The tracks (files) on the disc will be played back in random sequence.

To cancel M.I.X. play, press **5** **SHUFFLE** again.

CD mode :



MP3/WMA/AAC mode :



Searching from CD Text

Tracks can be searched and played by using the CD text on the disc. In the case of discs that do not support text, searches can be made by using the track numbers.

1 Press **SEARCH/ESC** during play.

This will set the search mode.

2 Turn the **Rotary encoder** to select the desired track, and then press **PLAY/II/ENT**.

This will play the selected track.

- Press and hold **SEARCH/ESC** for at least 2 seconds in the search mode to cancel. Or, the search mode is canceled if no operation is performed for 10 seconds.
- CD text search cannot be made during M.I.X. play.

File/Folder Name Search (concerning MP3/WMA/AAC)

Folder and file names may be searched and displayed during playback.

- 1** During MP3/WMA/AAC playback, press **Q/ESC** to activate the search mode.
- 2** Turn the **Rotary encoder** to select **Folder Name Search mode** or **File Name Search mode**, and then press **▶/II/ENT**.

Folder Name Search mode

- 3** Turn the **Rotary encoder** to select the desired folder.
 - 4** Press and hold **▶/II/ENT** for at least 2 seconds to play back the first file in the selected folder.
- Press and hold **Q/ESC** for at least 2 seconds in the search mode to cancel. Or, the search mode is canceled if no operation is performed for 10 seconds.
 - To search for files in the Folder Name Search mode, press **▶/II/ENT**. Files in the folder may be searched.
 - Press **RTN** to exit Folder Name Search mode in step 3 in order to select File Name Search mode.
 - The root folder is displayed as “-----”.
 - Folder Name Search cannot be made during M.I.X. play.

File Name Search mode

- 3** Press **◀** or **▶** to select another Folder.
 - 4** Select the desired file by turning the **Rotary encoder**.
 - 5** Press **▶/II/ENT** to play back the selected file.
- Press and hold **Q/ESC** for at least 2 seconds in the search mode to cancel. Or, the search mode is canceled if no operation is performed for 10 seconds.
 - Press **RTN** in the search mode to return to the previous mode.
 - File Name Search cannot be made during M.I.X. play.

Quick Search

You can search for tracks (files).

- 1** Press and hold **Q/ESC** for at least 2 seconds in the **CD/MP3/WMA/AAC** mode to activate **Quick Search mode**.
 - 2** Turn the **Rotary encoder** to select a desired track (file).
The selected track is played back immediately.
- Press and hold **Q/ESC** for at least 2 seconds in the search mode to cancel. Or, the search mode is canceled if no operation is performed for 10 seconds.

About MP3/WMA/AAC

CAUTION

Except for private use, duplicating audio data (including MP3/WMA/AAC data) or distributing, transferring, or copying it, whether for free or for a fee, without permission of the copyright holder is strictly prohibited by the Copyright Act and by international treaty.

What is MP3?

MP3, whose official name is “MPEG-1 Audio Layer 3,” is a compression standard prescribed by the ISO, the International Standardization Organization and MPEG which is a joint activity institution of the IEC.

MP3 files contain compressed audio data. MP3 encoding is capable of compressing audio data at extremely high ratios, reducing the size of music files to as much as one-tenth their original size. This is achieved while still maintaining near CD quality. The MP3 format realizes such high compression ratios by eliminating the sounds that are either inaudible to the human ear or masked by other sounds.

What is WMA?

WMA, or “Windows Media™ Audio,” is compressed audio data. WMA is similar to MP3 audio data and can achieve CD quality sound with small file sizes.

What is AAC?

AAC is the abbreviation for “Advanced Audio Coding,” and is a basic format of audio compression used by MPEG2 or MPEG4.

Method for creating MP3/WMA/AAC files

Audio data is compressed using software with MP3/WMA/AAC codecs. For details on creating MP3/WMA/AAC files, refer to the user’s manual for that software.

MP3/WMA/AAC files that are playable on this device have the file extensions “mp3” / “wma” / “m4a.” Files with no extension cannot be played back (WMA ver. 7.1, 8 and 9 are supported). Protected files are not supported, neither are raw AAC files (using the “.aac” extension).

There are many different versions of the AAC format. Confirm that the software being used conforms to the acceptable formats listed above. It’s possible that the format may be unplayable even though the extension is valid. Playback of AAC files encoded by iTunes version 6.0 or earlier is supported.

Supported playback sampling rates and bit rates

MP3

Sampling rates: 48 kHz, 44.1 kHz, 32 kHz, 24 kHz, 22.05 kHz, 16 kHz, 12 kHz, 11.025 kHz, 8 kHz

Bit rates: 8 - 320 kbps

WMA

Sampling rates: 48 kHz, 44.1 kHz, 32 kHz

Bit rates: 48 - 192 kbps

AAC

Sampling rates: 48 kHz, 44.1 kHz, 32 kHz, 24 kHz, 22.05 kHz, 16 kHz, 12 kHz, 11.025 kHz, 8 kHz

Bit rates: 16 - 320 kbps

This device may not play back correctly depending on sampling rates.

ID3 tags/WMA tags

This device supports ID3 tag v1 and v2, and WMA tag.

If tag data is in an MP3/WMA/AAC file, this device can display the title (track title), artist name, and album name ID3 tag/WMA tag data.

This device can only display single-byte alphanumeric characters (up to 30 for ID3 tags and up to 15 for WMA tags) and the underscore. For non-supported characters, "NO SUPPORT" is displayed.

The tag information may not be correctly displayed, depending on the contents.

Producing MP3/WMA/AAC discs

MP3/WMA/AAC files are prepared, then written to a CD-R or CD-RW using CD-R writing software. A disc can hold up to 510 files/folders (including Root Folders), and the maximum number of folders is 255.

Playback may not be performed if a disc exceeds the limitations described above.

Media supported

The media that this device can play back are CD-ROMs, CD-Rs, and CD-RWs.

Corresponding File Systems

This device supports discs formatted with ISO9660 Level 1 or Level 2.

Under the ISO9660 standard, there are some restrictions to remember.

The maximum nested folder depth is 8 (including the root directory). The number of characters for a folder/file name is limited.

Valid characters for folder/file names are letters A-Z (all caps), numbers 0-9, and '_' (underscore).

This device also can play back discs in Joliet, Romeo, etc., and other standards that conform to ISO9660. However, sometimes the file names, folder names, etc., are not displayed correctly.

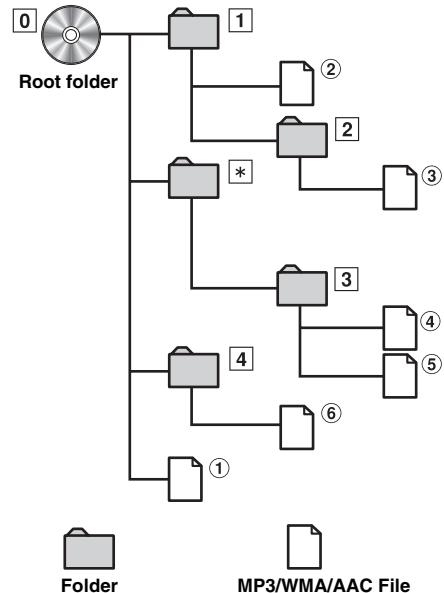
Formats supported

This device supports CD-ROM XA, Mixed Mode CD, Enhanced CD (CD-Extra) and Multi-Session.

This device cannot correctly play back discs recorded with Track At Once or packet writing.

Order of files

Files are played back in the order that the writing software writes them to the disc. Therefore, the playback order may not be what is expected. Verify the writing order in the software's documentation. The playback order of the folders and files is as follows.



* The folder No./ folder Name will not be displayed if no file is contained in the folder.

Terminology

Bit rate

This is the "sound" compression rate specified for encoding. The higher the bit rate, the higher the sound quality, but also the larger the files.

Sampling rate

This value shows how many times per second the data is sampled (recorded). For example, music CDs use a sampling rate of 44.1 kHz, so the sound is sampled (recorded) 44,100 times per second. The higher the sampling rate, the higher the sound quality, but also the larger the volume of data.

Encoding

Converting music CDs, WAVE (AIFF) files, and other sound files into the specified audio compression format.

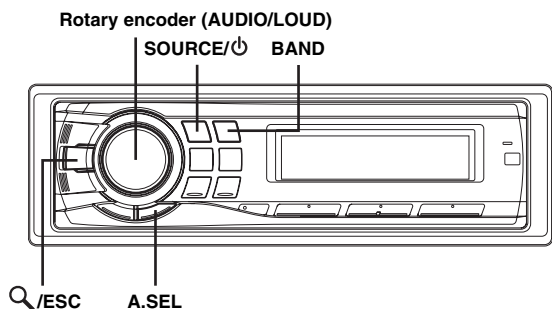
Tag

Song information such as track titles, artist names, album names, etc., written into MP3/WMA/AAC files.

Root folder

The root folder (or root directory) is found at the top of the file system. The root folder contains all folders and files. It is created automatically for all burned discs.

Sound Setting



Adjusting Bass/Treble/Balance (Between Left and Right)/Fader (Between Front and Rear)/Defeat

- 1 Press **Rotary encoder (AUDIO)** repeatedly to choose the desired mode.

Each press changes the mode as follows:

SUBW* → BASS → TREBLE → BALANCE → FADER → DEFEAT → VOLUME → SUBW

Subwoofer : 0 ~ +15

Bass level: -7 ~ +7

Treble level: -7 ~ +7

Balance : L15 ~ R15

Fader : R15 ~ F15

Defeat : ON/OFF

Volume : 0 ~ 35

- If no operation is performed for 5 seconds after selecting the SUBW, BASS, TREBLE, BALANCE, FADER or DEFEAT mode, the unit automatically returns to normal mode.

* When the subwoofer mode is set to OFF, its level cannot be adjusted.

- 2 Turn the **Rotary encoder** until the desired sound is obtained in each mode.

By setting Defeat ON, previously adjusted settings of BASS and TREBLE will return to the factory defaults.

Setting the Bass Control

You can change the Bass Frequency emphasis to create your own tonal preference.

- 1 Press **A.SEL** repeatedly to select the **BASS** mode.

BASS → TREBLE → HPF → BASS

Setting the Bass Center Frequency

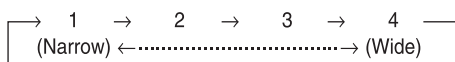
- 2-1 Press **BAND** to select the desired bass center frequency.

80Hz → 100Hz → 200Hz → 60Hz → 80Hz

Emphasizes the displayed bass frequency ranges.

Setting the Bass Bandwidth

- 2-2 Press **SOURCE/⏻** to select the desired bass bandwidth.



Changes the boosted bass bandwidth to wide or narrow. A wider setting will boost a wide range of frequencies above and below the center frequency. A narrower setting will boost only frequencies near the center frequency.

Setting the Bass Level

- 2-3*1 Turn the **Rotary encoder** to select the desired bass level (-7~+7).

You can emphasize or weaken the bass level.

- 3 Press and hold **Q/ESC** for at least 2 seconds to return to normal mode.

- If no operation is performed for 15 seconds, the unit will return to normal mode automatically.
- The bass level settings will be individually memorized for each source (FM, AM, CD, etc.) until the setting is changed. The bass frequency and bass bandwidth settings adjusted for one source are effective for all other sources (FM, AM, CD etc.).
- The function is inoperable when DEFEAT is set to ON.

*1 The adjustment can also be made by pressing **Rotary encoder**. Refer to "Adjusting Bass/Treble/Balance (Between Left and Right)/Fader (Between Front and Rear)/Defeat" (page 12).

Setting the Treble Control

You can change the Treble Frequency emphasis to create your own tonal preference.

1 Press **A.SEL** repeatedly to select the **TREBLE** mode.

BASS → TREBLE → HPF → BASS

Setting the Treble Center Frequency

2-1 Press **BAND** to select the desired treble center frequency.

10.0kHz → 12.5kHz → 15.0kHz → 17.5kHz → 10.0kHz

Emphasizes the displayed treble frequency ranges.

Setting the Treble Level

2-2*2 Turn the **Rotary encoder** to select the desired treble level (-7~+7).

You can emphasize the treble level.

3 Press and hold **Q/ESC** for at least 2 seconds to return to normal mode.

- If no operation is performed for 15 seconds, the unit will return to normal mode automatically.
- The treble level settings will be individually memorized for each source (FM, AM, CD, etc.) until the setting is changed. The Treble frequency settings adjusted for one source are effective for all other sources (FM, AM, CD, etc.).
- The function is inoperable when DEFEAT is set to ON.

*2 The adjustment can also be made by pressing **Rotary encoder**. Refer to “Adjusting Bass/Treble/Balance (Between Left and Right)/Fader (Between Front and Rear)/Defeat” (page 12).

Adjusting the High Pass Filter

The High Pass Filter on this unit can be adjusted to suit your personal taste.

1 Press **A.SEL** repeatedly to select the **HPF** mode.

BASS → TREBLE → HPF → BASS

2 Turn the **Rotary encoder** to select the desired **HPF** frequency.

OFF ↔ 80Hz ↔ 120Hz ↔ 160Hz

All frequencies above the selected cutoff are output.

3 Press and hold **Q/ESC** for at least 2 seconds to return to normal mode.

- If no operation is performed for 15 seconds, the unit will return to normal mode automatically.
- The Bass and Treble controls effectiveness in modifying the sound, depends on their settings and where the HPF is set.
- The function is inoperable when DEFEAT is set to ON.

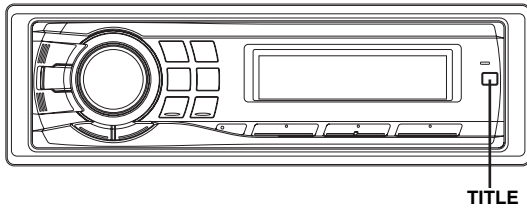
Turning Loudness On/Off

Loudness introduces a special low- and high-frequency emphasis at low listening levels. This compensates for the ear's decreased sensitivity to bass and treble sound.

Press and hold **Rotary encoder (LOUD)** for at least 2 seconds to activate or deactivate the loudness mode.

- The function is inoperable when DEFEAT is set to ON.

Other Functions



Displaying the Text

Text information, such as the disc name and the track name, will be displayed if playing a CD text compatible disc. It is also possible to display the folder name, the file name and the tag, etc., while playing MP3/WMA/AAC files.

Press **TITLE**.

The display will change every time the button is pressed.

- If you want to change the display when the text scroll is set to **MANU**, press **TITLE** while the text is scrolling. If the scroll has been completed, press **TITLE** to scroll the text again.

The display in Radio mode:

FREQUENCY → CLOCK → FREQUENCY

The display in CD mode:

TRACK NO./ELAPSED TIME → TRACK NO./CLOCK →
TEXT (DISC NAME)*¹ → TEXT (TRACK NAME)*¹ →
TRACK NO./ELAPSED TIME

The display in MP3/WMA/AAC mode:

FILE NO./ELAPSED TIME → FOLDER NO./FILE NO. →
FILE NO./CLOCK → FOLDER NAME → FILE NAME →
ARTIST NAME*² → ALBUM NAME*² → SONG NAME*² →
FILE NO./ELAPSED TIME

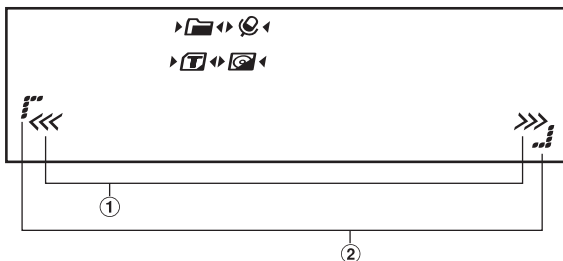
*¹ Displayed during playback of a disc with CD text.

*² ID3 tag/WMA tag

If an MP3/WMA/AAC file contains ID3 tag/WMA tag information, the ID3 tag/WMA tag information is displayed (e.g., song name, artist name and album name). All other tag data is ignored.

About the indication display

When displaying Text, the following indicators are lit according to the mode.



① Blinks in search mode when the **Rotary encoder** is turned. Also blinks when operation, such as fast forward etc., is performed.

② Lights up in SETUP mode.

Indicator/ Mode	CD Mode	MP3/WMA/AAC Mode	iPod Mode
	—	Folder Name* ² being displayed	—
	—	Artist Name* ¹ being displayed	Artist Name* ¹ being displayed
	Text (Disc Name* ³) being displayed	Album Name* ¹ being displayed	Album Name* ¹ being displayed
	Text (Track Name* ³) being displayed	Song Name* ¹ / File Name being displayed	Song Name* ¹ being displayed

*¹ Tag information

If there is no tag information, "ARTIST"/"ALBUM"/"SONG" is displayed.

*² The root folder is displayed as "FOLDER".

*³ If there is no Text (Disc Name or Track Name), "DISC TEXT"/"TRACK TEXT" is displayed.

About "Text"

Text:

Text compatible CDs contain text information such as the disc name and track name. Such text information is referred to as "text."

- Some characters may not be displayed correctly with this device, depending on the character type.
- "NO SUPPORT" is displayed when the desired text information cannot be displayed on this unit.
- The text or tag information may not be correctly displayed, depending on the contents.

Displaying Time

Press **TITLE** repeatedly until the time is displayed.

Each press changes the display.

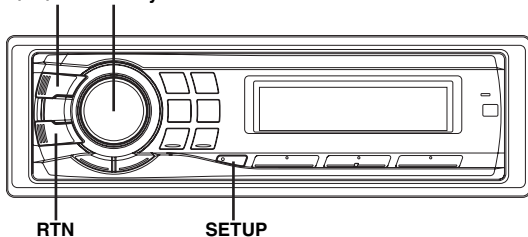
For details, see "Displaying the Text" (page 14).

- Selecting any tuner or CD function while in the clock priority mode will interrupt the time display momentarily. The function selected will be displayed for about 5 seconds before the time returns to the display.
- When the power is off but the ignition key is on, press **TITLE** to display or turn off the time.

SETUP

You can flexibly customize the unit to suit your own preferences and usage. From the SETUP menu, Sound Customizing, Visual Customizing, etc., can be modified.

▶ /II/ENT Rotary encoder



Use steps 1 to 4 to select one of the SETUP modes to modify. See the applicable section below for details about the selected SETUP item.

1 Press SETUP to activate the SETUP mode.

2 Turn the Rotary encoder to select the desired SETUP menu, and then press ▶/II/ENT.

(e.g. Select SUBWOOFER)

CLOCK ADJUST*¹ ↔ LCD CONTRAST ↔ DIMMER
↔ SUBWOOFER ↔ (SUBW. SYSTEM) *² ↔
PLAY MODE ↔ SCROLL TYPE ↔ TEXT SCROLL ↔
POWER IC ↔ LANGUAGE ↔ DEMO ↔ CLOCK ADJUST

*¹ Refer to "Setting Time" (page 7).

*² Displayed only when SUBW is on.

3 Turn the Rotary encoder to change the setting.

(e.g. Select SUBW. ON or SUBW. OFF.)

4 Press SETUP to return to normal mode.

- Press RTN to return to the previous mode.
- If no operation is performed for 60 seconds, the unit will return to normal mode automatically.

Sound Customizing

Subwoofer On and Off

SUBW. ON (Initial setting) / SUBW. OFF

When the subwoofer is on, perform the steps below to adjust the subwoofer output level.

1 In the normal mode, press Rotary encoder repeatedly to select the SUBW mode.

SUBW → BASS → TREBLE → BALANCE → FADER →
DEFEAT → VOLUME → SUBW

2 Adjust the level by turning the Rotary encoder.

Setting the Subwoofer System

SUBW. SYS 1 (Initial setting) / SUBW. SYS 2

Select either SYS 1 or SYS 2 for the desired subwoofer effect.

SUBW. SYS 1: Subwoofer level changes according to the main volume setting.

SUBW. SYS 2: Subwoofer level change is different from the main volume setting. For example, even at low volume settings, the subwoofer is still audible.

Visual Customizing

Dimmer Control

DIMMER AUTO (Initial setting) / DIMMER MANU

Set the DIMMER control to AUTO to decrease the illumination brightness of the unit with the head lights of the vehicle ON. This mode is useful if you feel the unit's backlighting is too bright at night.

Scroll Type Setting

SCROLL TYPE1 / SCROLL TYPE2 (Initial setting)

Choose from two scrolling methods.

Select the type you prefer.

SCROLL TYPE1: The characters scroll from right to left, a single character at a time.

SCROLL TYPE2: Words are built up from left to right, a single character at a time. When the display is filled, it is cleared and the remaining words are displayed the same way until all words of the title have been shown.

Scroll Setting (TEXT SCROLL)

SCROLL AUTO / SCROLL MANU (Initial setting)

This CD player can scroll the disc and track names recorded on CD-TEXT discs, as well as the text information of MP3/WMA/AAC files, folder names and tags.

SCROLL AUTO: The CD text information, the text information of folder and file names, and the tags are scrolled automatically.

SCROLL MANU: The display is scrolled when a disc is loaded or when a track is changed, etc.

- The unit scrolls CD text names, folder names, file names or tag display.

Setting the Language Font

LANGUAGE 1 (Initial setting) / LANGUAGE 2

Two types of font can be selected.

- LANGUAGE 1: Normal font
- LANGUAGE 2: European font

Adjusting Display Contrast

CONTRAST

You can adjust the display contrast for better visibility.

You can adjust in a range of -5 and +3

- The initial setting at the factory is "0."

Demonstration

DEMO ON / DEMO OFF (Initial setting)

This unit has a demonstration feature for the display.

- To quit Demo mode, set to DEMO OFF.

MP3/WMA/AAC

Playing MP3/WMA/AAC Data (Play Mode)

CD-DA (Initial setting) / CD-DA&MP3

This unit can play back CDs containing both CD and MP3/WMA/AAC data (created in Enhanced CD (CD Extra) format). However, in some situations, playback of an enhanced CD may be difficult. In this case, you can select playback of a single session only, containing the CD data. When a disc contains both CD and MP3/WMA/AAC data, playback starts from the CD data portion of the disc.

- CD-DA: Only the CD data in Session 1 can be played back.
- CD-DA&MP3: CD data, MP3/WMA/AAC files in mixed mode, and multi-session discs can be played back.

- Perform this setting before inserting a disc. If a disc has already been inserted, remove it first.

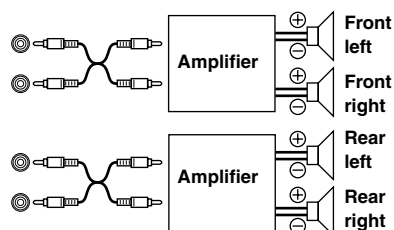
External Device

Connecting to an External Amplifier

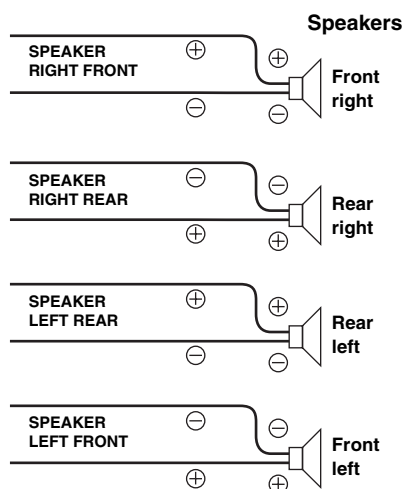
POWER IC ON (Initial setting) / POWER IC OFF

When an external amplifier is connected, sound quality can be improved by stopping the power supply of the built-in amplifier.

POWER IC OFF: Use this mode when the line output of this unit is used to drive an external amplifier. In this setting, the head unit's internal amplifier is turned OFF and cannot drive speakers.

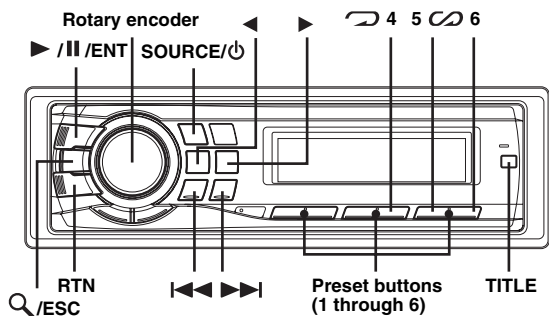


POWER IC ON: The speakers are driven by the built-in amplifier.



- No sound is produced by the system when the power output is set to OFF.

iPod® (Optional)



An iPod® can be connected to this unit by using the proprietary ALPINE FULL SPEED™ Connection Cable (KCE-422i) (sold separately). When this unit is connected by using the cable, the controls on the iPod are not functional.

iPods usable with this unit

- The unit can be used with the fourth generation and above iPod, iPod photo, iPod minis or iPod nano. iPod Shuffle cannot be used, however.
- Touch wheel or scroll wheel type iPods without the dock connector cannot be connected to the unit.
- The unit can be used with the following iPod versions. Correct function of earlier versions cannot be guaranteed.
 - Fourth generation iPod: Ver. 3.1.1
 - Fifth generation iPod: Ver. 1.1.2
 - iPod photo: Ver.1.2.1
 - iPod mini: Ver.1.4.1
 - iPod nano: Ver.1.2
- The unit cannot be used with software versions earlier than "2006-06-28". For details about "iPod Software Update", refer to the iPod Instruction Manual.

Playback

1 Press SOURCE/⏻ to switch to the iPod mode.

2 Press ◀◀ or ▶▶ to select the desired song.

Return to the beginning of the current song:

Press ◀◀.

Fast backward of the current song:

Press and hold ◀◀.

Advance to the beginning of the next song:

Press ▶▶.

Fast forward of the current song:

Press and hold ▶▶.

3 To pause playback, press ▶/||/ENT.

Pressing ▶/||/ENT again will resume playback.

- A song playing on the iPod while it is connected to this unit will continue to play from where it was paused after disconnection.

Searching for a desired Song

An iPod can contain hundreds of songs. By using file tag information and keeping these songs organized in playlists, this unit's search functions will ease song searches.

Each music category has its own individual hierarchy. Use the Playlist/Artist/Album/Song/Podcast/Genre/Composer search mode to narrow searches based on the table below.

Hierarchy 1	Hierarchy 2	Hierarchy 3	Hierarchy 4
Playlist	Song	—	—
Artist*	Album*	Song	—
Album*	Song	—	—
Song	—	—	—
Podcast	Episode	—	—
Genre*	Artist*	Album*	Song
Composer*	Album*	Song	—

For example: Searching by Artist name

The following example explains how an ARTIST search is performed. Another search mode can be used for the same operation, although the hierarchy differs.

1 Press 🔍/ESC to activate the search selection mode.

2 Turn the Rotary encoder to select the ARTIST search mode, and then press ▶/||/ENT.

PLAYLIST ↔ ARTIST ↔ ALBUM ↔ SONG ↔ PODCAST
↔ GENRE ↔ COMPOSER ↔ PLAYLIST

3 Turn the Rotary encoder to select the desired Artist, and then press ▶/||/ENT.

4 Turn the Rotary encoder to select the desired Album, and then press ▶/||/ENT.

5 Turn the **Rotary encoder** to select the desired **Song**, and then press **▶/||/ENT**.

- After pressing and holding **▶/||/ENT** for at least 2 seconds while in each hierarchy (except **SONG** hierarchy), all songs of the selected hierarchy are played back.
- After selecting **[ALL]** in the search mode with “*”, press and hold **▶/||/ENT** for at least 2 seconds to play back all songs in the iPod or selected search mode.
- While in the search mode, if you press and hold **Q/ESC** for 2 seconds, or no operation is performed for 10 seconds, the search mode is canceled.
- In the search mode, pressing **RTN** will return to the previous mode.
- Search cannot be made during **M.I.X.** play.
- “**NO SONG**” will be displayed if there are no songs in the selected playlist in the **PLAYLIST** search mode.
- “**NO PODCAST**” will be displayed if there is no podcast data in the iPod in the **PODCAST** search mode.
- If “iPod name” stored in the iPod is selected in the desired **Playlist** search mode, and **▶/||/ENT** is pressed, you can search for all songs in the iPod. Also, if you press and hold **▶/||/ENT** for at least 2 seconds, all songs in the iPod are played back.
- Depending on the iPod, podcast search is not supported.
- If any one of the **preset buttons (1 through 6)** is pressed in the search mode, a search can be made quickly by skipping to the specified location. For details, refer to “**Direct Search Function**” on page 18.

Quick Search

You can search a song from all songs in the iPod without selecting an album, artist, etc.

1 Press and hold **Q/ESC** for at least 2 seconds to activate the **Quick Search** mode.

2 Turn the **Rotary encoder** to select a desired song. The selected song is played back immediately.

- Press and hold **Q/ESC** for at least 2 seconds in the search mode to cancel. Or, the search mode is canceled if no operation is performed for 10 seconds.
- If many songs are in the iPod, it takes time to search for songs.
- If any one of the **preset buttons (1 through 6)** is pressed in the search mode, a search can be made quickly by skipping to the specified location. For details, refer to “**Direct Search Function**” on page 18.

Direct Search Function

The unit’s direct search function can be used to search for an album, song, etc., more efficiently. In **Playlist/Artist/Album/Song/Podcast/Genre/Composer** mode, you can quickly target any song.

In the search mode, press any one of the **preset buttons (1 through 6)** to quickly skip over a designated percent of your song content.

Song search example:

If there are 100 songs in your iPod, they are divided into 6 groups using percentages (shown below). These groups are assigned to the preset buttons (1 through 6).

Example 1:

Suppose the song you are searching for is located at around the middle (50%) of your library: press button 4 to jump to the 50th song and turn the **Rotary encoder** to find the desired song.

Example 2:

Suppose the song you are searching for is located near the end (83%) of your library: press button 6 to jump to the 83rd song and turn the **Rotary encoder** to find the desired song.

		All 100 songs (100%)					
		0%	17%	33%	50%	67%	83%
Preset buttons		1	2	3	4	5	6
Songs		First song	17th song	33rd song	50th song	67th song	83rd song

Select **Playlist/Artist/Album/Podcast/Genre/Composer**

Playlist/Artist/Album/Podcast/Genre/Composer can be easily changed. For example, if you listen to a song from a selected album, the album can be changed.

Press **◀** or **▶** to select the desired **Playlist/Artist/Album/Podcast/Genre/Composer**.

- If the song search mode was used to select a song, this function is inactive.
- If an album is selected during an artist search, other albums by that artist are searchable.
- This function is inactive during **shuffle (M.I.X.)** playback.

Random Play Shuffle (M.I.X.)

The Shuffle function of the iPod is displayed as M.I.X. on this unit.

Shuffle Albums:



The songs on each album are played back in proper order. Upon completion of all the songs on the album, the next album is selected randomly. This continues until all albums have been played.

Shuffle Songs:

Song shuffle randomly plays back songs within a selected category (playlist, album, etc.). The songs within the category are played just once until all songs have been played.

1 Press 5 .

The songs are played back in random sequence.

 M.I.X. → M.I.X. → (off) →  M.I.X.
(Shuffle Albums) (Shuffle Songs)

2 To cancel M.I.X. play, select (off) with the above procedure.

- If a song is selected in the album search mode before selecting M.I.X. play, the songs will not play back randomly even when Shuffle Albums is selected.

Shuffle ALL:

Shuffle ALL plays all songs in the iPod randomly. Any one song does not play back again until all songs have been played back.

1 Press 6.

The songs are played back in random sequence.

M.I.X. → (off) → M.I.X.
(Shuffle ALL)

2 To cancel M.I.X. play, select (off) with the above procedure.

- If Shuffle ALL is selected, the selected songs being played back in the search mode are canceled.

Repeat Play

Only Repeat One is available for the iPod.

Repeat One:



A single song is repeatedly played back.

1 Press 4.

The song is played back repeatedly.

RPT → (off) → RPT
(Repeat One)

2 To cancel repeat play, select (off) with the above procedure.

- During repeat playback, no other songs are selectable by pressing  or .

Displaying the Text

You can display the tag information of a song in the iPod.

Press TITLE.

Each press changes the display.

- If you want to change the display when the text scroll is set to MANU, press **TITLE** while the text is scrolling. If the scroll has been completed, press **TITLE** to scroll the text again.

TRACK NO./ELAPSED TIME → TRACK NO./CLOCK →
ARTIST NAME* → ALBUM NAME* →
SONG TITLE* → TRACK NO./ELAPSED TIME

* TAG information

“ARTIST”/“ALBUM”/“SONG” is displayed if there is no tag information.

- Only alphanumeric characters (ASCII) can be displayed.
- If the artist, album or song name, created in iTunes, has too many characters, songs may not be played back when connected to the adapter. Therefore, a maximum of 250 characters is recommended. The maximum number of characters for the head unit is 64 (64 byte).
- Some characters may not be correctly displayed.
- “NO SUPPORT” is displayed if text information is not supported by the unit.

Information

In Case of Difficulty

If you encounter a problem, please turn the power off, then on again. If the unit is still not functioning normally, please review the items in the following checklist. This guide will help you isolate the problem if the unit is at fault. Otherwise, make sure the rest of your system is properly connected or consult your authorized Alpine dealer.

Basic

No function or display.

- Vehicle's ignition is off.
 - If connected following instructions, the unit will not operate with the vehicle's ignition off.
- Improper power lead (Red) and battery lead (Yellow) connections.
 - Check power lead and battery lead connections.
- Blown fuse.
 - Check the fuse of the unit; replace with the proper value if necessary.
- Internal micro-computer malfunctioned due to interference noise etc.
 - Press the RESET switch with a ballpoint pen or other pointed article.

Radio

Unable to receive stations.

- No antenna or open connection in cable.
 - Make sure the antenna is properly connected; replace the antenna or cable if necessary.

Unable to tune stations in the seek mode.

- You are in a weak signal area.
 - Make sure the tuner is in the DX mode.
- If the area you are in is a primary signal area, the antenna may not be grounded and connected properly.
 - Check your antenna connections; make sure the antenna is properly grounded at its mounting location.
- The antenna may not be the proper length.
 - Make sure the antenna is fully extended; if broken, replace the antenna with a new one.

Broadcast is noisy.

- The antenna is not the proper length.
 - Extend the antenna fully; replace it if it is broken.
- The antenna is poorly grounded.
 - Make sure the antenna is grounded properly at its mounting location.

CD

CD Player not functioning.

- Out of operating temperature range +50°C (+120°F) for CD.
 - Allow the vehicle's interior (or trunk) temperature to cool.

CD playback sound is wavering.

- Moisture condensation in the CD Module.
 - Allow enough time for the condensation to evaporate (about 1 hour).

CD insertion not possible.

- A CD is already in the CD player.
 - Eject the CD and remove it.
- The CD is being improperly inserted.
 - Make sure the CD is being inserted following instructions in the CD Player Operation section.

Unable to fast forward or backward the CD.

- The CD has been damaged.
 - Eject the CD and discard it; using a damaged CD in your unit can cause damage to the mechanism.

CD playback sound skips due to vibration.

- Improper mounting of the unit.
 - Securely re-mount the unit.
- The disc is very dirty.
 - Clean the disc.
- The disc has scratches.
 - Change the disc.
- The pick-up lens is dirty.
 - Do not use a commercially available lens cleaner disc. Consult your nearest Alpine dealer.

CD playback sound skips without vibration.

- The disc is dirty or scratched.
 - Clean the disc; damaged disc should be replaced.

Error displays (built-in CD player only).

- Mechanical error
 - Press ▲. After the error indication disappears, insert the disc again. If the above-mentioned solution does not solve the problem, consult your nearest Alpine dealer.

CD-R/CD-RW playback not possible.

- Close session (finalization) has not been performed.
 - Perform finalization and attempt playback again.

MP3/WMA/AAC

MP3, WMA or AAC is not played back.

- Writing error occurred. The CD format is not compatible.
 - Make sure the CD has been written in a supported format. Refer to "About MP3/WMA/AAC" (pages 10-11), then rewrite in the format supported by this device.

Audio

The sound is not output from the speakers.

- Unit has no output signal of the internal amplifier.
 - POWER IC is switched to “ON” (page 16).

iPod

iPod does not play and no sound is output.

- The iPod has not been recognized.
 - Reset this unit and the iPod. Refer to “Initial System Start-Up” (page 6). To reset the iPod, refer to the Owner’s Manual of the iPod.

Indication for CD Player

HIGH-TEMP

- Protective circuit is activated due to high temperature.
 - The indication will disappear when the temperature returns to normal operating range.

NO DISC

- No CD is inserted.
 - Insert a CD.
- Although a disc is inserted, “NO DISC” is displayed and the unit does not start to play or eject the disc.
 - Remove the disc by following these steps:
 - Press the ▲ button again for at least 2 seconds.
 - If the disc still does not eject, consult your Alpine dealer.

ERROR

- Mechanism error.
 - 1) Press the ▲ button and eject the CD.
 - If not ejecting, consult your Alpine dealer.
 - 2) When the error indication remains after ejecting, press the ▲ button again.
 - If the error indication still does not turn off after pressing the ▲ button for a few times, consult your Alpine dealer.
- *When “ERROR” is displayed:*
 - If the disc cannot be ejected by pressing ▲, press the RESET switch (refer to page 6) and press ▲ again.*
 - If the disc still cannot be ejected, consult your Alpine dealer.*

PROTECT

- A copy-protected WMA file was played back.
 - You can only play back non-copy-protected files.

UNSUPPORTED

- A sampling rate/bit rate not supported by the unit is used.
 - Use a sampling rate/bit rate that is supported by the unit.

Indication for iPod Mode

NO iPod

- The iPod is not connected.
 - Make sure the iPod is correctly connected (refer to “Connections”).
 - Make sure the cable is not bent excessively.

NO SONG

- There are no songs in the iPod.
 - Download songs to the iPod and connect to this unit.

NO PODCAST

- There is no podcast data in the iPod.
 - Download podcast data to the iPod and connect to this unit.

ERROR-01

- Communication error
 - Turn the ignition key off, and then set to ON again.
 - Check the display by reconnecting between the iPod and this unit, using the iPod cable.

ERROR-02

- Caused by the iPod Software Version not being compatible with this unit.
 - Update the iPod Software Version to be compatible with this unit.

Specifications

FM TUNER SECTION

Tuning Range	87.7-107.9 MHz
Mono Usable Sensitivity	9.3 dBf (0.8 μ V/75 ohms)
50 dB Quieting Sensitivity	13.5 dBf (1.3 μ V/75 ohms)
Alternate Channel Selectivity	80 dB
Signal-to-Noise Ratio	65 dB
Stereo Separation	35 dB
Capture Ratio	2.0 dB

AM TUNER SECTION

Tuning Range	530-1,710 kHz
Sensitivity (IEC Standard)	22.5 μ V/27 dB

CD PLAYER SECTION

Frequency Response	5-20,000 Hz (\pm 1 dB)
Wow & Flutter (% WRMS)	Below measurable limits
Total Harmonic Distortion	0.008% (at 1 kHz)
Dynamic Range	95 dB (at 1 kHz)
Signal-to-Noise Ratio	105 dB
Channel Separation	85 dB (at 1 kHz)

PICKUP

Wave length	795 nm
Laser power	CLASS I

GENERAL

Power Requirement	14.4 V DC (11-16 V allowable)
Power Output	16 W RMS \times 4*
* Primary amplifier ratings per CEA-2006 Standard	
• Power output: measured at 4 Ohms and \leq 1% THD+N	
• S/N: 80 dBA (reference: 1 W into 4 Ohms)	
Maximum Pre-Output Voltage	2 V/10 k ohms
Bass	\pm 14 dB at 100 Hz
Treble	\pm 14 dB at 10 kHz
Weight	1.6 kg (3 lbs. 8 oz)

CHASSIS SIZE

Width	178 mm (7")
Height	50 mm (2")
Depth	161 mm (6-3/8")

NOSEPIECE SIZE

Width	170 mm (6-3/4")
Height	46 mm (1-13/16")
Depth	24 mm (15/16")

- *Due to continuous product improvement, specifications and design are subject to change without notice.*

Installation and Connections

Before installing or connecting the unit, please read the following and pages 3 and 5 of this manual thoroughly for proper use.

Warning

MAKE THE CORRECT CONNECTIONS.

Failure to make the proper connections may result in fire or product damage.

USE ONLY IN CARS WITH A 12 VOLT NEGATIVE GROUND.

(Check with your dealer if you are not sure.) Failure to do so may result in fire, etc.

BEFORE WIRING, DISCONNECT THE CABLE FROM THE NEGATIVE BATTERY TERMINAL.

Failure to do so may result in electric shock or injury due to electrical shorts.

DO NOT ALLOW CABLES TO BECOME ENTANGLED IN SURROUNDING OBJECTS.

Arrange wiring and cables in compliance with the manual to prevent obstructions when driving. Cables or wiring that obstruct or hang up on places such as the steering wheel, gear lever, brake pedals, etc. can be extremely hazardous.

DO NOT SPLICE INTO ELECTRICAL CABLES.

Never cut away cable insulation to supply power to other equipment. Doing so will exceed the current carrying capacity of the wire and result in fire or electric shock.

DO NOT DAMAGE PIPE OR WIRING WHEN DRILLING HOLES.

When drilling holes in the chassis for installation, take precautions so as not to contact, damage or obstruct pipes, fuel lines, tanks or electrical wiring. Failure to take such precautions may result in fire.

DO NOT USE BOLTS OR NUTS IN THE BRAKE OR STEERING SYSTEMS TO MAKE GROUND CONNECTIONS.

Bolts or nuts used for the brake or steering systems (or any other safety-related system), or tanks should NEVER be used for installations or ground connections. Using such parts could disable control of the vehicle and cause fire etc.

KEEP SMALL OBJECTS SUCH AS BATTERIES OUT OF THE REACH OF CHILDREN.

Swallowing them may result in serious injury. If swallowed, consult a physician immediately.

DO NOT INSTALL IN LOCATIONS WHICH MIGHT HINDER VEHICLE OPERATION, SUCH AS THE STEERING WHEEL OR GEARSHIFT.

Doing so may obstruct forward vision or hamper movement etc. and results in serious accident.

Caution

HAVE THE WIRING AND INSTALLATION DONE BY EXPERTS.

The wiring and installation of this unit requires special technical skill and experience. To ensure safety, always contact the dealer where you purchased this product to have the work done.

USE SPECIFIED ACCESSORY PARTS AND INSTALL THEM SECURELY.

Be sure to use only the specified accessory parts. Use of other than designated parts may damage this unit internally or may not securely install the unit in place. This may cause parts to become loose resulting in hazards or product failure.

ARRANGE THE WIRING SO IT IS NOT CRIMPED OR PINCHED BY A SHARP METAL EDGE.

Route the cables and wiring away from moving parts (like the seat rails) or sharp or pointed edges. This will prevent crimping and damage to the wiring. If wiring passes through a hole in metal, use a rubber grommet to prevent the wire's insulation from being cut by the metal edge of the hole.

DO NOT INSTALL IN LOCATIONS WITH HIGH MOISTURE OR DUST.

Avoid installing the unit in locations with high incidence of moisture or dust. Moisture or dust that penetrates into this unit may result in product failure.

Precautions

- Be sure to disconnect the cable from the (-) battery post before installing your CDE-9881. This will reduce any chance of damage to the unit in case of a short-circuit.
- Be sure to connect the colour coded leads according to the diagram. Incorrect connections may cause the unit to malfunction or damage to the vehicle's electrical system.
- When making connections to the vehicle's electrical system, be aware of the factory installed components (e.g. on-board computer). Do not tap into these leads to provide power for this unit. When connecting the CDE-9881 to the fuse box, make sure the fuse for the intended circuit of the CDE-9881 has the appropriate amperage. Failure to do so may result in damage to the unit and/or the vehicle. When in doubt, consult your Alpine dealer.
- The CDE-9881 uses female RCA-type jacks for connection to other units (e.g. amplifier) having RCA connectors. You may need an adaptor to connect other units. If so, please contact your authorized Alpine dealer for assistance.
- Be sure to connect the speaker (-) leads to the speaker (-) terminal. Never connect left and right channel speaker cables to each other or to the vehicle body.

IMPORTANT

Please record the serial number of your unit in the space provided below and keep it as a permanent record. The serial number or the engraved serial number is located on the bottom of the unit.

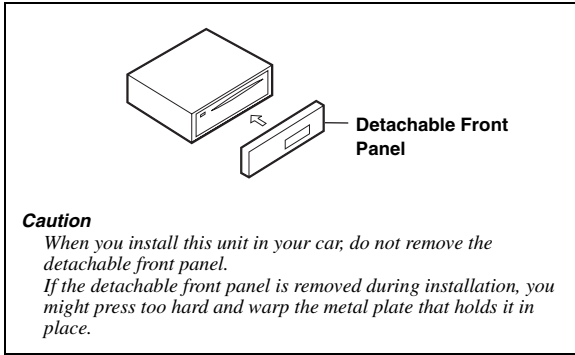
SERIAL NUMBER: _____

INSTALLATION DATE: _____

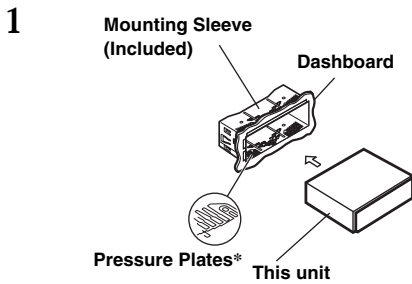
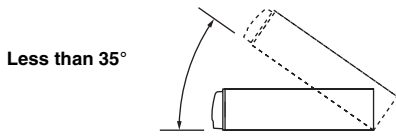
INSTALLATION TECHNICIAN: _____

PLACE OF PURCHASE: _____

Installation



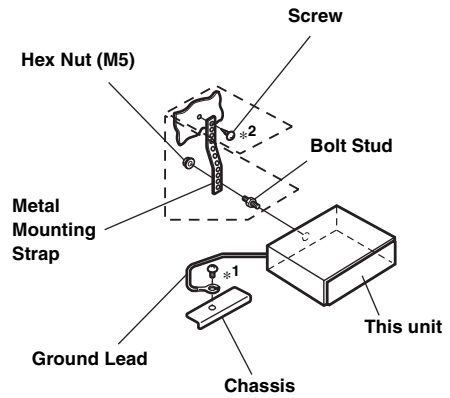
- The main unit must be mounted within 35 degrees of the horizontal plane, back to front.



* If the installed mounting sleeve is loose in the dashboard, the pressure plates may be bent slightly to remedy the problem.

**Remove the Detachable Front Panel (refer to page 6).
Remove the mounting sleeve from the main unit (see "Removal" on page 25).**

2



Reinforce the head unit with the metal mounting strap (not supplied). Secure the ground lead of the unit to a clean metal spot using a screw (*1) already attached to the vehicle's chassis.

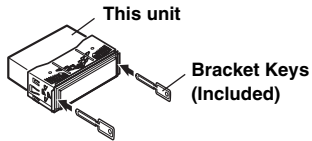
- For the screw marked "*2", use an appropriate screw for the chosen mounting location.

Connect each input lead coming from an amplifier to the corresponding output lead coming from the left rear of the CDE-9881. Connect all other leads of the CDE-9881 according to details described in the CONNECTIONS section.

- 3** Slide the CDE-9881 into the dashboard until it clicks. This ensures that the unit is properly locked and will not accidentally come out from the dashboard. Install the detachable front panel.

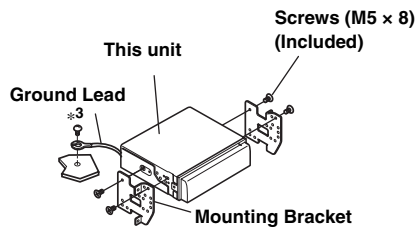
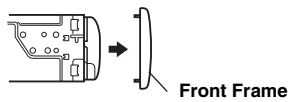
Removal

1. Remove the detachable front panel.
2. Insert the bracket keys into the unit, along the guides on either side. The unit can now be removed from the mounting sleeve.



3. Pull the unit out, keeping it unlocked as you do so.

<JAPANESE CAR>



Secure the ground lead of the unit to a clean metal spot using a screw (*³) already attached to the vehicle's chassis.

- ① **Antenna Receptacle**
- ② **Power Antenna Lead (Blue)**
Connect this lead to the +B terminal of your power antenna, if applicable.
- *This lead should be used only for controlling the vehicle's power antenna. Do not use this lead to turn on an amplifier or a signal processor, etc.*
- ③ **Remote Turn-On Lead (Blue/White)**
Connect this lead to the remote turn-on lead of your amplifier or signal processor.
- ④ **Audio Interrupt In Lead (Pink/Black)**
Connect this lead to the Audio interface output of a cellular phone which provides ground shorting when a call is received.
- ⑤ **Illumination Lead (Orange)**
This lead may be connected to the vehicle's instrument cluster illumination lead. This will allow the backlighting of the CDE-9881 to dim whenever the vehicle's lights are turned on.
- ⑥ **Switched Power Lead (Ignition) (Red)**
Connect this lead to an open terminal on the vehicle's fuse box or another unused power source which provides (+)12V only when the ignition is turned on or in the accessory position.
- ⑦ **Battery Lead (Yellow)**
Connect this lead to the positive (+) post of the vehicle's battery.
- ⑧ **Ground Lead (Black)**
Connect this lead to a good chassis ground on the vehicle. Make sure the connection is made to bare metal and is securely fastened using the sheet metal screw provided.
- ⑨ **Power Supply Connector**
- ⑩ **Right Front (+) Speaker Output Lead (Gray)**
- ⑪ **Right Front (-) Speaker Output Lead (Gray/Black)**
- ⑫ **Right Rear (-) Speaker Output Lead (Violet/Black)**
- ⑬ **Right Rear (+) Speaker Output Lead (Violet)**
- ⑭ **Left Rear (+) Speaker Output Lead (Green)**
- ⑮ **Left Rear (-) Speaker Output Lead (Green/Black)**
- ⑯ **Left Front (-) Speaker Output Lead (White/Black)**
- ⑰ **Left Front (+) Speaker Output Lead (White)**
- ⑱ **Fuse Holder (10A)**
- ⑲ **Rear Output RCA Connectors**
RED is right and WHITE is left.
- ⑳ **Front Output RCA Connectors**
RED is right and WHITE is left.
- ㉑ **Subwoofer RCA Connectors**
RED is right and WHITE is left.
- ㉒ **RCA Extension Cable (sold separately)**
- ㉓ **iPod Direct Connector**
Control iPod signals.
Connect this to an iPod by using the FULL SPEED™ Connection Cable (KCE-422i) (sold separately).
- ㉔ **FULL SPEED™ Connection Cable (KCE-422i) (sold separately)**

To prevent external noise from entering the audio system.

- Locate the unit and route the leads at least 10 cm away from the car harness.
- Keep the battery power leads as far away from other leads as possible.
- Connect the ground lead securely to a bare metal spot (remove any paint, dirt or grease if necessary) of the car chassis.
- If you add an optional noise suppressor, connect it as far away from the unit as possible. Your Alpine dealer carries various noise suppressors, contact them for further information.
- Your Alpine dealer knows best about noise prevention measures so consult your dealer for further information.



LIMITED WARRANTY

ALPINE ELECTRONICS OF AMERICA, INC. AND ALPINE OF CANADA INC. ("Alpine"), are dedicated to quality craftsmanship and are pleased to offer this Warranty. We suggest that you read it thoroughly. Should you have any questions, please contact your Dealer or contact Alpine at one of the telephone numbers listed below.

● PRODUCTS COVERED:

This Warranty covers Car Audio Products and Related Accessories ("the product"). Products purchased in the Canada are covered only in the Canada. Products purchased in the U.S.A. are covered only in the U.S.A.

● LENGTH OF WARRANTY:

This Warranty is in effect for one year from the date of the first consumer purchase.

● WHO IS COVERED:

This Warranty only covers the original purchaser of the product, who must reside in the United States, Puerto Rico or Canada.

● WHAT IS COVERED:

This Warranty covers defects in materials or workmanship (parts and labor) in the product.

● WHAT IS NOT COVERED:

This Warranty does not cover the following:

- ① Damage occurring during shipment of the product to Alpine for repair (claims must be presented to the carrier).
- ② Damage caused by accident or abuse, including burned voice coils caused by over-driving the speaker (amplifier level is turned up and driven into distortion or clipping). Speaker mechanical failure (e.g. punctures, tears or rips). Cracked or damaged LCD panels. Dropped or damaged hard drives.
- ③ Damage caused by negligence, misuse, improper operation or failure to follow instructions contained in the Owner's manual.
- ④ Damage caused by act of God, including without limitation, earthquake, fire, flood, storms or other acts of nature. Any cost or expense related to the removal or reinstallation of the product.
- ⑤ Service performed by an unauthorized person, company or association.
- ⑥ Any product which has the serial number defaced, altered or removed.
- ⑦ Any product which has been adjusted, altered or modified without Alpine's consent.
- ⑧ Any product not distributed by Alpine within the United States, Puerto Rico or Canada.
- ⑨ Any product not purchased from an Authorized Alpine Dealer.

● HOW TO OBTAIN WARRANTY SERVICE:

- ① You are responsible for delivery of the product to an Authorized Alpine Service Center or Alpine for repair and for payment of any initial shipping charges. Alpine will, at its option, repair or replace the product with a new or reconditioned product without charge. If the repairs are covered by the warranty, and if the product was shipped to an Authorized Alpine Service Center or Alpine, Alpine will pay the return shipping charges.
- ② You should provide a detailed description of the problem(s) for which service is required.

③ You must supply proof of your purchase of the product.

④ You must package the product securely to avoid damage during shipment. To prevent lost packages it is recommended to use a carrier that provides a tracking service.

● HOW WE LIMIT IMPLIED WARRANTIES:

ANY IMPLIED WARRANTIES INCLUDING FITNESS FOR USE AND MERCHANTABILITY ARE LIMITED IN DURATION TO THE PERIOD OF THE EXPRESS WARRANTY SET FORTH ABOVE AND NO PERSON IS AUTHORIZED TO ASSUME FOR ALPINE ANY OTHER LIABILITY IN CONNECTION WITH THE SALE OF THE PRODUCT.

● HOW WE EXCLUDE CERTAIN DAMAGES:

ALPINE EXPRESSLY DISCLAIMS LIABILITY FOR INCIDENTAL AND CONSEQUENTIAL DAMAGES CAUSED BY THE PRODUCT. THE TERM "INCIDENTAL DAMAGES" REFERS TO EXPENSES OF TRANSPORTING THE PRODUCT TO THE ALPINE SERVICE CENTER, LOSS OF THE ORIGINAL PURCHASER'S TIME, LOSS OF THE USE OF THE PRODUCT, BUS FARES, CAR RENTALS OR OTHERS COSTS RELATING TO THE CARE AND CUSTODY OF THE PRODUCT. THE TERM "CONSEQUENTIAL DAMAGES" REFERS TO THE COST OF REPAIRING OR REPLACING OTHER PROPERTY WHICH IS DAMAGED WHEN THIS PRODUCT DOES NOT WORK PROPERLY. THE REMEDIES PROVIDED UNDER THIS WARRANTY ARE EXCLUSIVE AND IN LIEU OF ALL OTHERS.

● HOW STATE/PROVINCIAL LAW RELATES TO THE WARRANTY:

This Warranty gives you specific legal rights, and you may also have other rights which vary from state to state and province to province. In addition, some states/provinces do not allow limitations on how long an implied warranty lasts, and some do not allow the exclusion or limitation of incidental or consequential damages. Accordingly, limitations as to these matters contained herein may not apply to you.

● IN CANADA ONLY:

This Warranty is not valid unless your Alpine car audio product has been installed in your vehicle by an Authorized Installation Center, and this warranty stamped upon installation by the installation center.

● HOW TO CONTACT CUSTOMER SERVICE:

Should the product require service, please call the following number for your nearest Authorized Alpine Service Center.

CAR AUDIO	1-800-ALPINE-1 (1-800-257-4631)
NAVIGATION	1-888-NAV-HELP (1-888-628-4357)

Or visit our website at; <http://www.alpine-usa.com>

ALPINE ELECTRONICS OF AMERICA, INC., 19145 Gramercy Place, Torrance, California 90501, U.S.A.

ALPINE ELECTRONICS OF CANADA, INC., 777 Supertest Road, Toronto, Ontario M3J 2M9, Canada

Do not send products to these addresses.

Call the toll free telephone number or visit the website to locate a service center.

Contenu

Mode d'emploi

AVERTISSEMENT

AVERTISSEMENT	3
ATTENTION	3
PRÉCAUTIONS	3

Mise en route

Liste des accessoires	6
Mise sous et hors tension	6
Retrait et pose du panneau avant	6
Mise en service de l'appareil	6
Réglage du volume	7
Diminution rapide du volume	7
Réglage de l'heure	7

Radio

Écoute de la radio	7
Préréglage manuel des stations	8
Préréglage automatique des stations	8
Accord d'une station préréglée	8

CD/MP3/WMA/AAC

Lecture	8
Lecture répétée	9
M.I.X. (Lecture aléatoire)	9
Recherche à partir du CD-texte	9
Recherche par nom de fichier/dossier (fichiers MP3/WMA/AAC)	10
Recherche rapide	10
À propos des fichiers MP3/WMA/AAC	10

Réglage du son

Réglage des graves, des aigus, de la balance droite et gauche, de l'équilibreur avant/ arrière et de la fonction Defeat	12
Réglage de la commande des graves	12
Réglage de la commande des aigus	13
Réglage du filtre passe-haut	13

Activation/annulation de la correction physiologique	13
---------------------------------------------------------------	----

Autres fonctions

Affichage du texte	14
Affichage de l'heure	14

SETUP

Personnalisation du son

Activation et désactivation du subwoofer	15
Réglage du système du subwoofer	15

Personnalisation de l'affichage

Commande du gradateur	15
Réglage du type de défilement	15
Réglage du défilement (TEXT SCROLL)	15
Réglage de la police de caractères de la langue	16
Réglage du contraste de l'affichage	16
Démonstration	16

MP3/WMA/AAC

Lecture de données MP3/WMA/AAC (Mode de lecture)	16
-----------------------------------------------------------	----

Appareil externe

Raccordement à un amplificateur externe	16
-----------------------------------------------	----

iPod® (en option)

Lecture	17
Recherche d'un morceau souhaité	17
Recherche rapide	18
Fonction de recherche directe	18
Sélection d'une liste d'écoute, d'un artiste, d'un album, d'un podcast, d'un genre, d'un compositeur	18
Lecture aléatoire (M.I.X.)	19
Lecture répétée	19
Affichage du texte	19

Informations

En cas de problème	20
Spécifications	22

Installation et raccordements

Avertissement	23
Attention	23
Précautions	23
Installation	24
Raccordements	26

GARANTIE LIMITÉE

Mode d'emploi

AVERTISSEMENT

AVERTISSEMENT

Ce symbole désigne des instructions importantes. Le non-respect de ces instructions peut entraîner de graves blessures, voire la mort.

N'ACTIVER AUCUNE FONCTION SUSCEPTIBLE DE DETOURNER VOTRE ATTENTION DE LA CONDUITE DU VEHICULE.

Les fonctions requérant une attention prolongée ne doivent être exploitées qu'à l'arrêt complet du véhicule. Toujours arrêter le véhicule à un endroit sûr avant d'activer ces fonctions. Il y a risque de provoquer un accident.

GARDER LE VOLUME À FAIBLE NIVEAU DE MANIÈRE À POUVOIR ENTENDRE LES BRUITS EXTÉRIEURS PENDANT LA CONDUITE.

Des niveaux de volume excessifs qui couvrent les sirènes des ambulances ou les signaux routiers (passages à niveau, etc.) peuvent être dangereux et provoquer un accident. UN NIVEAU DE VOLUME TROP ÉLEVÉ À L'INTÉRIEUR DU VÉHICULE PEUT ÉGALEMENT AVOIR DES EFFETS IRRÉVERSIBLES SUR VOTRE AUDITION.

MINIMISER L'AFFICHAGE EN COURS DE CONDUITE.

La visualisation de l'affichage peut distraire le conducteur de la conduite du véhicule et, partant, de provoquer un accident.

NE PAS DESASSEMBLER NI MODIFIER L'APPAREIL.

Il y a risque d'accident, d'incendie ou de choc électrique.

A UTILISER UNIQUEMENT SUR DES VOITURES A MASSE NEGATIVE DE 12 VOLTS.

(Vérifiez auprès de votre concessionnaire si vous n'en êtes pas certain.) Il y a risque d'incendie, etc.

GARDER LES PETITS OBJETS COMME LES PILES HORS DE PORTEE DES ENFANTS.

L'ingestion de tels objets peut entraîner de graves blessures. En cas d'ingestion, consulter immédiatement un médecin.

UTILISER DES FUSIBLES DE L'AMPERAGE APPROPRIE.

Il y a risque d'incendie ou de décharge électrique.

NE PAS OBSTRUER LES SORTIES D'AIR NI LES PANNEAUX DU RADIATEUR.

Une surchauffe interne peut se produire et provoquer un incendie.

UTILISER CET APPAREIL POUR DES APPLICATIONS MOBILES DE 12 V.

Toute utilisation autre que l'application désignée comporte un risque d'incendie, de choc électrique ou de blessure.

NE PAS INTRODUIRE LES MAINS, LES DOIGTS NI DE CORPS ETRANGERS DANS LES FENTES ET LES INTERSTICES.

Il y a risque de blessures ou de dommages à l'appareil.

ATTENTION

Ce symbole désigne des instructions importantes. Le non-respect de ces instructions peut entraîner des blessures ou des dommages matériels.

INTERROMPRE TOUTE UTILISATION EN CAS DE PROBLEME.

Le non-respect de cette précaution peut entraîner des blessures ou endommager l'appareil. Retourner l'appareil auprès du distributeur Alpine agréé ou un centre de service après-vente Alpine en vue de la réparation.

PRÉCAUTIONS

Nettoyage du produit

Nettoyez régulièrement le produit avec un chiffon doux et sec. En cas de taches tenaces, trempez le chiffon dans l'eau uniquement. Tout autre produit risque de dissoudre la peinture ou d'endommager le plastique.

Température

Assurez-vous que la température intérieure du véhicule est comprise entre +60°C (+140°F) et -10°C (+14°F) avant de mettre l'appareil sous tension.

Condensation d'humidité

Si le son est irrégulier pendant la lecture de CD, de l'humidité s'est probablement condensée. Dans ce cas, enlevez le disque du lecteur et attendez environ une heure pour que l'humidité s'évapore.

Disque endommagé

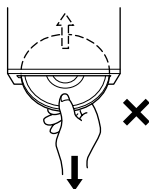
Ne pas reproduire un disque craquelé, déformé ou endommagé sous peine de détériorer sévèrement le mécanisme de lecture.

Entretien

En cas de problème, n'essayez pas de réparer l'appareil vous-même. Rappelez l'appareil à votre revendeur Alpine, ou à défaut, apportez-le dans un centre de réparation Alpine.

Ne tentez jamais d'effectuer les opérations suivantes

Ne saisissez pas ou ne tirez pas sur le disque pendant qu'il est attiré dans le lecteur par le mécanisme de recharge automatique. N'essayez pas d'insérer un disque dans l'appareil quand celui-ci est hors tension.

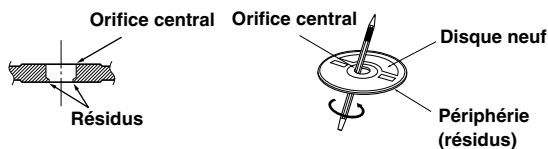


Insertion des disques

Votre appareil ne peut lire qu'un seul disque à la fois. N'essayez donc pas de charger plusieurs disques. Insérez le disque en orientant vers le haut la face imprimée. Le message « ERROR » s'affiche sur l'appareil si le disque n'est pas correctement inséré. Si le message « ERROR » persiste alors que le disque est correctement inséré, appuyez sur l'interrupteur de réinitialisation avec un objet pointu comme un stylo à bille. L'écoute d'un disque sur une route très abîmée peut provoquer des sautes de son, mais ne risque pas de rayer le disque ou d'endommager le lecteur.

Disques neufs

Pour éviter qu'un disque reste coincé, le message « ERROR » s'affiche quand un disque n'est pas inséré correctement ou que sa surface est irrégulière. Si le lecteur éjecte un disque neuf chargé pour la première fois, touchez le contour de l'orifice central et de la périphérie du disque avec le doigt. Si le disque contient des résidus ou des irrégularités, il ne pourra pas être chargé. Pour enlever les résidus, passez un stylo à bille ou autre objet similaire sur le contour de l'orifice central et de la périphérie du disque, puis réinsérez-le.



Disques de forme irrégulière

N'utilisez que des disques de forme ronde avec cet appareil à l'exclusion de toute autre. L'utilisation de disques de forme spéciale peut endommager le mécanisme.



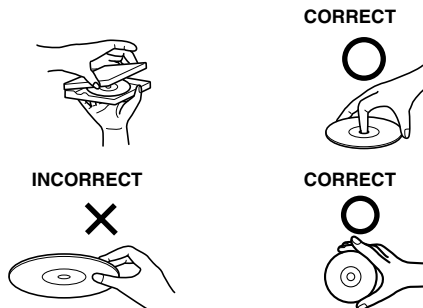
Emplacement de montage

Veillez à ne pas installer l'appareil dans un endroit exposé :

- directement au soleil ou à la chaleur,
- à l'humidité et à l'eau,
- aux poussières excessives,
- aux vibrations excessives.

Manipulation correcte

Veillez à ne pas faire tomber le disque. Tenez le disque de manière à ne pas laisser d'empreintes sur la surface. Ne collez pas de ruban adhésif, papier ou étiquette sur le disque. N'écrivez pas sur le disque.



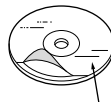
Nettoyage des disques

Des traces de doigts, de poussière ou de saleté sur la surface du disque peuvent provoquer des sautes de son. Essayez le disque du centre vers la périphérie avec un chiffon doux et propre. Si la surface du disque est vraiment sale, humidifiez le chiffon d'une solution détergente neutre avant d'essuyer le disque.

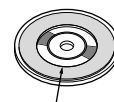


Au sujet des accessoires pour disque

Beaucoup d'accessoires sont disponibles dans le commerce pour protéger la surface du disque et améliorer la qualité sonore. Cependant, certains de ces accessoires peuvent affecter l'épaisseur et/ou le diamètre du disque. L'utilisation de tels accessoires peut modifier les spécifications du disque et provoquer des erreurs de fonctionnement. Nous déconseillons l'utilisation de tels accessoires avec des disques à reproduire sur les lecteurs CD Alpine.



Feuille transparente



Stabilisateur de disque

Manipulation des disques compacts (CD/CD-R/CD-RW)

- Ne touchez pas la surface du disque.
- N'exposez pas le disque à la lumière directe du soleil.
- N'apposez pas d'autocollants ou d'étiquettes sur le disque.
- Nettoyez le disque lorsqu'il est poussiéreux.
- Assurez-vous que le disque ne présente pas d'irrégularité.
- N'utilisez pas d'accessoires pour disques vendus dans le commerce.

Ne laissez pas le disque dans la voiture ou dans l'appareil pendant une période prolongée. N'exposez jamais le disque à la lumière directe du soleil. La chaleur et l'humidité risquent de l'endommager et d'empêcher son fonctionnement ultérieur.

A l'attention des utilisateurs de disques CD-R ou CD-RW

- S'il est impossible de lire un CD-R/CD-RW, assurez-vous que la dernière session d'enregistrement a bien été fermée (finalisée).
- Finalisez le CD-R ou le CD-RW si nécessaire, puis reprenez la lecture.

A propos des supports susceptibles d'être lus

Utilisez exclusivement des disques compacts dont la face de l'étiquette fait apparaître les marques du logo CD ci-dessous.



Si vous utilisez des CD non spécifiés, les performances risquent de ne pas être correctes.

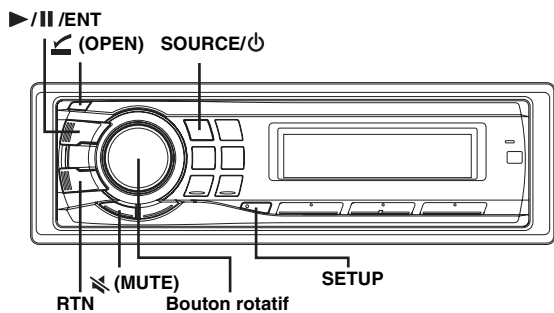
Vous pouvez lire des CD-R (CD-Recordable)/CD-RW (CD-ReWritable) enregistrés exclusivement sur des périphériques audio. Vous pouvez également lire des CD-R/CD-RW contenant des fichiers audio au format MP3/WMA/AAC.

- Il est possible que cet appareil ne puisse pas lire certains disques : CD imparfaits, CD contenant des traces de doigt, CD exposés à des températures extrêmes ou aux rayons directs du soleil (abandonnés dans le véhicule ou dans l'appareil), CD enregistrés dans des conditions défavorables, CD sur lesquels un enregistrement a échoué ou qui ont fait l'objet d'une tentative de réenregistrement et CD protégés contre la copie qui ne sont pas conformes aux normes industrielles applicables aux CD audio.
- Utilisez des disques dont les fichiers MP3/WMA/AAC ont été créés dans un format compatible avec cet appareil. Pour plus d'informations, voir pages 10-11.
- Les données en mémoire ROM, autres que les fichiers audio contenus sur un disque, n'entraînent la production d'aucun son en cas de lecture.

-
- *Windows Media et le logo Windows sont des marques ou des marques déposées de Microsoft Corporation aux États-Unis et/ou dans d'autres pays.*
 - *Apple, le logo Apple, iPod et iTunes sont des marques d'Apple Computer, Inc., déposées aux États-Unis et dans d'autres pays.*

- *« Technologie de codage audio MPEG Layer-3 sous licence Fraunhofer IIS et Thomson. »*
- *« La fourniture de ce produit ne confère qu'une licence pour une utilisation privée de nature non commerciale, mais ne confère aucune licence et n'implique aucun droit d'utiliser ce produit pour une diffusion commerciale (c'est-à-dire générant des recettes) en temps réel (par voie terrestre, satellite, câble et/ou tout autre support), une diffusion/lecture en transit via Internet, des intranets et/ou autres réseaux ou sur tout autre système de distribution de contenu électronique tel que les applications audio à péage ou à la demande. Une licence indépendante est requise pour ce type d'utilisation. Pour plus d'informations, visitez <http://www.mp3licensing.com> »*

Mise en route



Liste des accessoires

- Unité principale.....1
- Câble d'alimentation.....1
- Gaine de montage.....1
- Etui1
- Clé de support.....2
- Vis (M5 x 8).....4
- Mode d'emploi..... 1 jeu

Mise sous et hors tension

Appuyez sur **SOURCE/⏻** pour mettre l'appareil sous tension.

- Vous pouvez aussi mettre l'appareil sous tension en appuyant sur n'importe quelle autre touche à l'exception de **TITLE** et de **(OPEN)**.

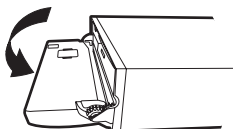
Appuyez sur **SOURCE/⏻** pendant au moins 2 secondes pour éteindre l'appareil.

- La première fois que l'appareil est mis sous tension, le volume initial commence au niveau 12.

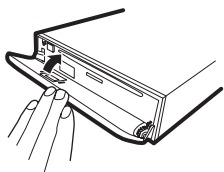
Retrait et pose du panneau avant

Retrait

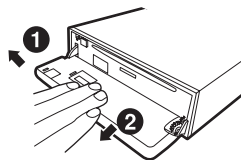
- 1 Mettez l'appareil hors tension.
- 2 Appuyez sur **(OPEN)** pour ouvrir le panneau avant.



Pour le refermer, appuyez sur le côté gauche jusqu'à ce qu'il se ferme (voir schéma ci-dessous).



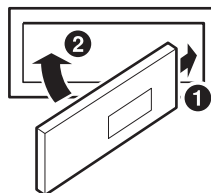
- 3 Saisissez fermement le panneau avant, faites-le glisser vers la gauche ①, puis tirez ② pour le retirer.



- Le panneau avant peut chauffer en cours de fonctionnement normal (surtout au niveau des bornes des connecteurs à l'arrière du panneau avant). Il ne s'agit pas d'un dysfonctionnement.
- Afin de protéger le panneau avant, rangez-le dans l'étui fourni.
- Ne forcez pas sur le panneau avant lors du retrait, car vous pourriez provoquer un dysfonctionnement.
- Ne laissez pas le panneau avant ouvert et veillez à le fermer lors de la conduite car vous pourriez provoquer un accident ou endommager l'appareil.

Pose

- 1 Insérez le côté droit du panneau avant dans l'appareil. Aligned la rainure du panneau avant sur les saillies de l'appareil.
- 2 Poussez sur le côté gauche du panneau avant jusqu'à ce qu'il s'enclenche à fond dans l'appareil.



- Avant de fixer le panneau avant, vérifiez qu'il n'y a pas de poussière ni de saleté sur les bornes du connecteur et qu'aucun objet ne se trouve entre le panneau avant et l'appareil.
- Fixez soigneusement le panneau avant, en le tenant par les côtés pour éviter d'appuyer sur les touches par inadvertance.

Mise en service de l'appareil

Appuyez sur le commutateur RESET lorsque vous utilisez l'appareil pour la première fois, après avoir changé la batterie de la voiture, etc.

- 1 Mettez l'appareil hors tension.
- 2 Appuyez sur **(OPEN)** pour ouvrir le panneau avant, puis retirez-le.
- 3 Appuyez sur **RESET** avec un stylo à bille ou un objet pointu.



Commutateur RESET

Réglage du volume

Tournez le **bouton rotatif** jusqu'à ce que vous obteniez le niveau souhaité.

Diminution rapide du volume

L'activation de la fonction de silencieux diminue instantanément le volume de 20 dB.

Appuyez sur **MUTE** pour activer le mode MUTE. Le niveau sonore diminue d'environ 20 dB.

Appuyez à nouveau sur **MUTE** pour rétablir le son au niveau précédent.

Réglage de l'heure

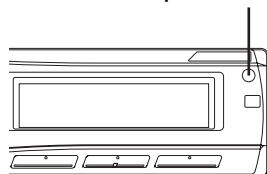
- 1 Appuyez sur **SETUP** pour activer le mode SETUP.
- 2 Tournez le **bouton rotatif** pour sélectionner le mode **CLOCK ADJUST**, puis appuyez sur **▶/II/ENT**.
L'indication de l'heure clignote.
- 3 Tournez le **bouton rotatif** pour régler les heures pendant que l'indication de l'heure clignote.
- 4 Une fois les heures réglées, appuyez sur **▶/II/ENT**.
- 5 Tournez le **bouton rotatif** pour régler les minutes pendant que l'indication de l'heure clignote.
- 6 Appuyez sur **SETUP** pour revenir au mode normal.

- Pour synchroniser l'horloge sur une autre horloge/montre ou annonce de l'heure à la radio, appuyez sur **▶/II/ENT** pendant au moins 2 secondes après avoir réglé les « heures ». Les minutes sont remises à « 00 ». Si l'affichage dépasse « 30 » minutes pendant que vous effectuez cette opération, l'heure avance d'une heure.
- Appuyez sur **RTN** pour revenir au mode précédent.
- Si vous n'exécutez aucune opération dans les 60 secondes, l'appareil revient automatiquement au mode normal.

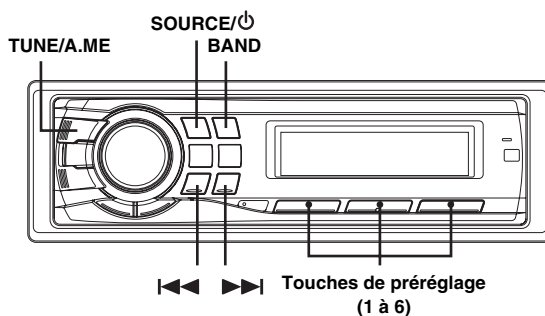
Commande à distance de l'appareil

Cet appareil peut être commandé à l'aide d'une télécommande Alpine en option. Pour plus d'informations, consultez votre distributeur Alpine.
Dirigez l'émetteur de télécommande en option vers le capteur de télécommande.

Capteur de télécommande



Radio



Écoute de la radio

- 1 Appuyez sur **SOURCE/⏻** pour sélectionner le mode TUNER.
- 2 Appuyez plusieurs fois sur **BAND** jusqu'à ce que la gamme souhaitée soit affichée.

F1 (FM1) → F2 (FM2) → AM → F1 (FM1)

- 3 Appuyez sur **TUNE/A.ME** pour sélectionner le mode de syntonisation.

DX SEEK (Mode distance) → SEEK (Mode local) → OFF (Mode manuel) → DX SEEK

- Le mode distance est sélectionné initialement.

Mode distance :

Toutes les stations à signal puissant ou faible sont captées automatiquement (accord par recherche automatique).

Mode local :

Seules les stations à signal puissant sont captées automatiquement (accord par recherche automatique).

Mode manuel :

La fréquence est accordée manuellement par étapes (accord manuel).

- 4 Appuyez sur **◀◀** ou **▶▶** pour accorder l'appareil sur la station souhaitée.

Si vous maintenez **◀◀** ou **▶▶** enfoncée, la fréquence change en continu.

Préréglage manuel des stations

- 1 Sélectionnez la gamme d'ondes et accordez la station que vous souhaitez mémoriser.
- 2 Maintenez enfoncée pendant 2 secondes au moins une touche de préréglage (1 à 6) dans laquelle vous souhaitez enregistrer la station.
La station sélectionnée est mémorisée.
L'affichage indique la gamme, le numéro de préréglage et la fréquence de la station mémorisée.

- Vous pouvez mémoriser 18 stations au total (6 stations sur chaque gamme : FM1, FM2 et AM).
- Si vous mémorisez une station sur un préréglage qui a déjà été utilisé pour une autre station, cette station sera effacée et remplacée par la nouvelle.

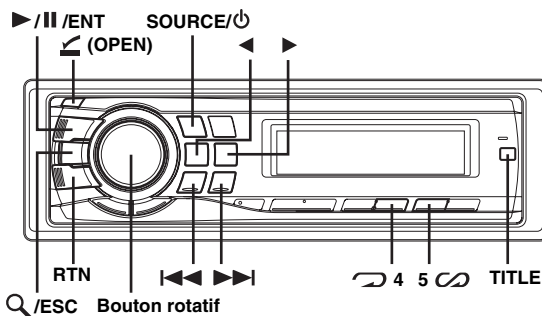
Préréglage automatique des stations

- 1 Appuyez plusieurs fois sur **BAND** jusqu'à ce que la gamme souhaitée soit affichée.
 - 2 Appuyez sur **TUNE/A.ME** et maintenez cette touche enfoncée pendant au moins 2 secondes.
La fréquence change continuellement sur l'affichage pendant que la mémorisation automatique est en cours. Le tuner recherche et mémorise automatiquement les 6 stations les plus puissantes sur la gamme sélectionnée. Elles seront mémorisées sous les touches de préréglage 1 à 6, dans l'ordre de la puissance des signaux. Quand la mémorisation automatique est terminée, le tuner revient à la station mémorisée sous la touche de préréglage 1.
- Si aucune station n'est mémorisée, le tuner revient à la station que vous écoutiez avant que la mémorisation automatique ne commence.

Accord d'une station préréglée

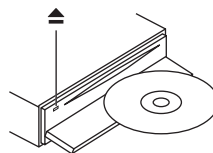
- 1 Appuyez plusieurs fois sur **BAND** jusqu'à ce que la gamme souhaitée soit affichée.
- 2 Appuyez sur la touche de préréglage (1 à 6) sous laquelle la station souhaitée est préréglée.
L'affichage indique la gamme, le numéro de préréglage et la fréquence de la station sélectionnée.

CD/MP3/WMA/AAC



Lecture

- 1 Appuyez sur **< (OPEN)**.
Le panneau avant s'ouvre.
- 2 Insérez un disque avec la face imprimée vers le haut.
Le disque pénètre automatiquement dans le lecteur.



Refermez le panneau avant manuellement. L'indicateur « DISC IN » s'allume.
Si un disque est déjà inséré, appuyez sur **SOURCE/⏻** pour passer au mode DISC.

Le mode change chaque fois que vous appuyez sur cette touche.

TUNER → DISC → iPod* → TUNER

* Uniquement quand l'iPod est raccordé.

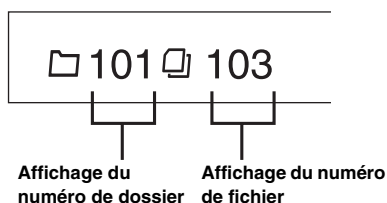
- 3 Pendant la lecture d'un fichier MP3/WMA/AAC, appuyez sur **< ou >** pour sélectionner le dossier de votre choix.
Appuyez sur la touche **<** ou **>** et maintenez-la enfoncée pour parcourir les dossiers.
- 4 Appuyez sur **<<< ou >>>** pour sélectionner la piste (fichier) désirée.
Retour au début de la piste (fichier) en cours :
Appuyez sur **<<<**.
Recherche rapide vers l'arrière :
Maintenez la touche **<<<** enfoncée.
Avance jusqu'au début de la piste (fichier) suivante :
Appuyez sur **>>>**.
Recherche rapide vers l'avant :
Maintenez la touche **>>>** enfoncée.
- 5 Pour interrompre la lecture, appuyez sur **>/||/ENT**.
Appuyez de nouveau sur **>/||/ENT** pour reprendre la lecture.

6 Après avoir appuyé sur **OPEN** pour ouvrir le panneau avant, appuyez sur **▲** pour éjecter le disque.

- Ne retirez pas un CD pendant l'éjection. Ne chargez pas plus d'un disque à la fois. Dans les deux cas, cela pourrait entraîner une défaillance de l'appareil.
- Si le CD ne s'éjecte pas, appuyez sur **▲** pendant au moins 2 secondes.
- L'indicateur « DISC IN » s'allume quand un disque est inséré.
- Le lecteur de CD peut lire des disques contenant des données audio, MP3, WMA et AAC.
- « MP3 » s'affiche lors de la lecture de fichiers MP3.
- « WMA » s'affiche lors de la lecture de fichiers WMA.
- « AAC » s'affiche lors de la lecture de fichiers AAC.
- Les fichiers au format WMA protégés par DRM (Digital Rights Management), les fichiers au format AAC achetés auprès d'iTunes Music Store et les fichiers protégés par droits d'auteur (protection par copyright) ne peuvent pas être lus sur cet appareil.
- L'affichage des pistes pour la lecture de données MP3/WMA/AAC correspond aux numéros des fichiers enregistrés sur le disque.
- Pendant la lecture d'un fichier VBR (Variable Bit rates), le temps écoulé risque de ne pas s'afficher correctement.

Affichage pendant la lecture de fichiers MP3/WMA/AAC

Le numéro de dossier et le numéro de fichier s'affichent de la manière décrite ci-dessous.



- Appuyez sur **TITLE** pour basculer l'affichage. Pour plus d'informations sur la commutation de l'affichage, consultez la section « Affichage du texte » (page 14).

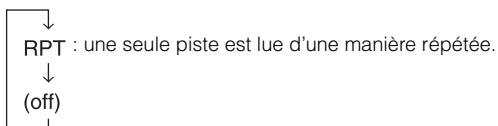
Lecture répétée

Appuyez sur **↶ 4** pour répéter la piste en cours de lecture.

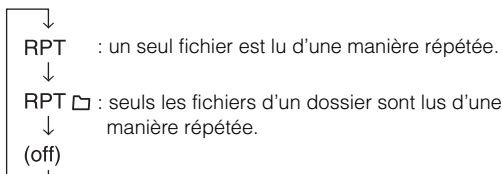
La lecture de la piste (fichier) est répétée.

Appuyez une nouvelle fois sur **↶ 4**, puis sélectionnez off pour arrêter la lecture répétée.

Mode CD :



Mode MP3/WMA/AAC :



M.I.X. (Lecture aléatoire)

Appuyez sur **5** **↻** en mode de lecture ou de pause.

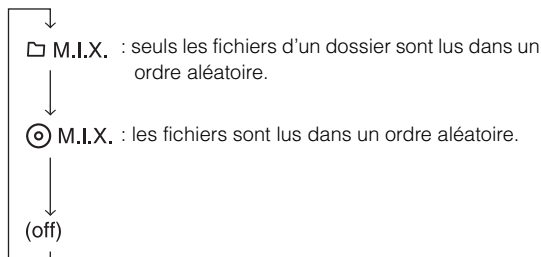
Les pistes (fichiers) du disque sont reproduites dans un ordre aléatoire.

Pour désactiver la lecture M.I.X., appuyez de nouveau sur **5** **↻**.

Mode CD :



Mode MP3/WMA/AAC :



Recherche à partir du CD-texte

Il est possible de rechercher et de lire les pistes à partir du CD-texte du disque. Si le disque ne prend pas en charge cette fonction, les recherches peuvent être effectuées par numéro de piste.

1 Appuyez sur **Q/ESC** pendant la lecture.

Vous passez ainsi en mode de recherche.

2 Tournez le bouton rotatif pour sélectionner la piste de votre choix, puis appuyez sur **▶/II/ENT**.

La lecture de la piste sélectionnée commence.

- Appuyez sur **Q/ESC** pendant au moins 2 secondes en mode de recherche pour annuler. Le mode de recherche est aussi annulé si aucune opération n'est exécutée dans les 10 secondes.
- La recherche à partir du CD-texte n'est pas possible lors de la lecture M.I.X.

Recherche par nom de fichier/dossier (fichiers MP3/WMA/AAC)

Les noms de fichier et de dossier peuvent être recherchés et affichés pendant la lecture.

- 1 Pendant la lecture d'un fichier MP3/WMA/AAC, appuyez sur **Q/ESC** pour activer le mode de recherche.
- 2 Tournez le **bouton rotatif** pour sélectionner le mode de recherche par nom de dossier ou par nom de fichier, puis appuyez sur **►/II/ENT**.

Mode de recherche par nom de dossier

- 3 Tournez le **bouton rotatif** pour sélectionner le dossier souhaité.
 - 4 Appuyez sur **►/II/ENT** pendant au moins 2 secondes pour lire le premier fichier du dossier sélectionné.
- Appuyez sur **Q/ESC** pendant au moins 2 secondes en mode de recherche pour annuler. Le mode de recherche est aussi annulé si aucune opération n'est exécutée dans les 10 secondes.
 - Pour rechercher des fichiers en mode de recherche par nom de dossier, appuyez sur **►/II/ENT**. Il est alors possible de rechercher des fichiers dans le dossier.
 - Appuyez sur **RTN** pour quitter le mode de recherche par nom de dossier à l'étape 3 et sélectionner le mode de recherche par nom de fichier.
 - Le dossier racine est représenté par « ----- ».
 - La recherche par nom de dossier n'est pas possible en mode de lecture M.I.X.

Mode de recherche par nom de fichier

- 3 Appuyez sur **◀** ou **►** pour sélectionner un autre dossier.
 - 4 Sélectionnez le fichier souhaité à l'aide du **bouton rotatif**.
 - 5 Appuyez sur **►/II/ENT** pour lire le fichier sélectionné.
- Appuyez sur **Q/ESC** pendant au moins 2 secondes en mode de recherche pour annuler. Le mode de recherche est aussi annulé si aucune opération n'est exécutée dans les 10 secondes.
 - Appuyez sur **RTN** en mode de recherche pour revenir au mode précédent.
 - La recherche par nom de fichier n'est pas possible en mode de lecture M.I.X.

Recherche rapide

Vous pouvez rechercher toutes les pistes (fichiers).

- 1 Appuyez sur **Q/ESC** pendant au moins 2 secondes en mode CD/MP3/WMA/AAC pour activer le mode de recherche rapide.

- 2 Tournez le **bouton rotatif** pour sélectionner la piste (fichier) souhaitée.

La piste sélectionnée est lue immédiatement.

- Appuyez sur **Q/ESC** pendant au moins 2 secondes en mode de recherche pour annuler. Le mode de recherche est aussi annulé si aucune opération n'est exécutée dans les 10 secondes.

À propos des fichiers MP3/WMA/AAC

ATTENTION

À l'exception d'un usage personnel, la copie et le transfert de données audio (y compris de données MP3/WMA/AAC), gratuitement ou contre rémunération, sans l'autorisation du détenteur du copyright sont strictement interdits par le Copyright Act et par un traité international.

Que signifie MP3 ?

MP3, dont le nom officiel est « MPEG-1 Audio Layer 3 », est une norme de compression prescrite par l'ISO, Organisation Internationale de Normalisation, et MPEG, une institution conjointe du CEI.

Les fichiers MP3 contiennent des données audio comprimées. L'encodage MP3 peut comprimer les données audio à des taux très élevés en réduisant les fichiers musicaux à 10 % de leur taille originale, tout en conservant une qualité proche de la qualité du CD. Le format MP3 parvient à de tels taux de compression en éliminant les sons inaudibles à l'oreille humaine ou masqués par d'autres sons.

Que signifie WMA ?

WMA ou « Windows Media™ Audio » correspond à des données audio comprimées. Les données audio WMA sont semblables aux données MP3 et peuvent offrir la même qualité de son que celle des CD avec des fichiers de petite taille.

Que signifie AAC ?

AAC est l'abréviation de « Advanced Audio Coding » et est un format de base de la compression audio utilisée par MPEG2 ou MPEG4.

Méthode de création de fichiers MP3/WMA/AAC

Les données audio sont compressées à l'aide des codecs MP3/WMA/AAC. Pour plus de détails sur la création de fichiers MP3/WMA/AAC, reportez-vous au guide de l'utilisateur du logiciel. Les fichiers MP3/WMA/AAC pouvant être lus par cet appareil portent l'extension de fichier « mp3 » / « wma » / « m4a ». Les fichiers sans extension ne peuvent pas être lus (les versions WMA 7.1, 8 et 9 sont prises en charge.) Les fichiers protégés ne sont pas pris en charge, pas plus que les fichiers AAC bruts (portant l'extension « .aac »).

Il existe différentes versions du format AAC. Assurez-vous que le logiciel utilisé est conforme à un des formats reconnus énumérés ci-dessus. Il est possible que le format soit illisible, malgré que l'extension soit correcte.

La lecture des fichiers AAC encodés par iTunes version 6.0 ou antérieure est prise en charge.

Taux d'échantillonnage et débit binaire de lecture pris en charge

MP3

Taux d'échantillonnage : 48 kHz, 44,1 kHz, 32 kHz, 24 kHz,
22,05 kHz, 16 kHz, 12 kHz, 11,025 kHz,
8 kHz

Débit binaire : 8 - 320 kbps

WMA

Taux d'échantillonnage : 48 kHz, 44,1 kHz, 32 kHz

Débit binaire : 48 - 192 kbps

AAC

Taux d'échantillonnage : 48 kHz, 44,1 kHz, 32 kHz, 24 kHz,
22,05 kHz, 16 kHz, 12 kHz, 11,025 kHz,
8 kHz

Débit binaire : 16 - 320 kbps

En fonction des taux d'échantillonnage, la lecture sur cet appareil peut être incorrecte.

Tags ID3/tags WMA

Cet appareil prend en charge les tags ID3 tag v1 et v2 et les tags WMA.

Si un fichier MP3/WMA/AAC contient des données de tag ID3/tag WMA, cet appareil peut afficher le titre (titre de la piste), le nom de l'artiste et le nom de l'album des données de tag ID3/tag WMA.

Cet appareil peut uniquement afficher des caractères alphanumériques d'un octet (jusqu'à 30 pour les tags ID3 et 15 pour les tags WMA) et le trait de soulignement. Pour les caractères non supportés, l'indication « NO SUPPORT » apparaît.

Les informations de tags peuvent ne pas s'afficher correctement en fonction du contenu.

Production de disques MP3/WMA/AAC

Les fichiers MP3/WMA/AAC sont préparés, puis écrits sur un CD-R ou un CD-RW à l'aide d'un logiciel d'écriture CD-R. Un disque peut contenir jusqu'à 510 fichiers/dossiers (dossiers racines compris) tandis que le nombre maximal de dossiers est de 255.

Si un disque dépasse ces limites, il risque de ne pas pouvoir être lu.

Supports pris en charge

Les supports pouvant être lus par cet appareil sont les CD-ROM, les CD-R et les CD-RW.

Systèmes de fichiers correspondants

Cet appareil prend en charge les disques au format ISO9660 Niveau 1 ou Niveau 2.

Pour la norme ISO9660, certaines restrictions doivent être respectées.

Le nombre maximal de fichiers imbriqués est 8 (répertoire racine compris). Le nombre de caractères d'un nom de dossier/fichier est limité.

Les caractères valides pour les noms de dossiers/fichiers sont les lettres A à Z (en majuscule), les nombres 0 à 9 et '_' (trait de soulignement).

Cet appareil peut également lire des disques au format Joliet, Romeo, etc., ainsi que d'autres formats normalisés conformes à la norme ISO9660. Cependant, les noms de fichiers, de dossiers, etc. n'apparaissent parfois pas correctement.

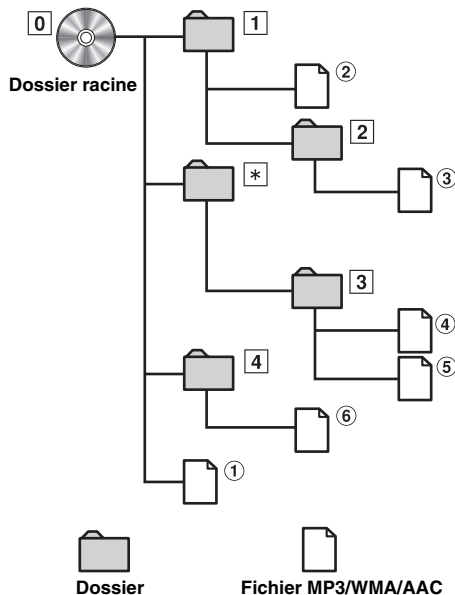
Formats pris en charge

Cet appareil peut lire les CD-ROM XA, les Mixed Mode CD (mixtes), les Enhanced CD (améliorés) (CD-Extra) et les Multi-Session.

Cet appareil ne peut pas lire correctement les disques enregistrés en Track At Once (piste à piste) ou en écriture par paquets.

Ordre des fichiers

Les fichiers sont lus dans l'ordre où ils sont écrits sur le disque par le logiciel d'enregistrement. L'ordre de lecture ne correspond donc peut-être pas à ce que vous souhaitez. Vérifiez l'ordre d'écriture dans la documentation du logiciel. L'ordre de lecture des dossiers et des fichiers est le suivant.



* Le numéro de dossier/nom de fichier n'est pas affiché si le dossier ne contient aucun fichier.

Terminologie

Débit binaire

Il s'agit du taux de compression du « son » spécifié pour l'encodage. Plus il est élevé, plus la qualité sonore est bonne, mais plus la taille des fichiers est importante.

Taux d'échantillonnage

Cette valeur indique combien de fois par seconde les données sont échantillonnées (enregistrées). Par exemple, les CD de musique utilisent un taux d'échantillonnage de 44,1 kHz, le niveau de son est donc échantillonné (enregistré) 44 100 fois par secondes. Plus le taux d'échantillonnage est élevé, plus la qualité du son est bonne, mais plus le volume des données est important.

Encodage

Conversion des CD de musique, des fichiers WAVE (AIFF) et d'autres fichiers de son au format de compression audio spécifié.

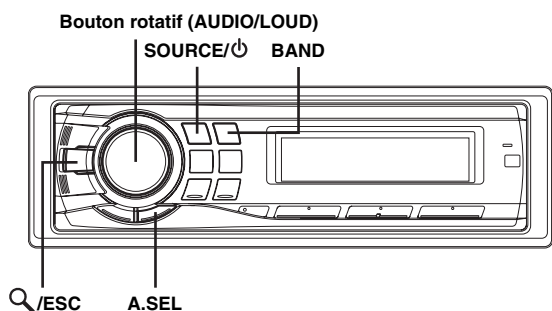
Tag

Informations concernant les morceaux, telles que titres des pistes, noms d'artiste, noms d'album, etc., écrites dans les fichiers MP3/WMA/AAC.

Dossier racine

Le dossier racine (auss appelé répertoire racine) se trouve au sommet du système de fichiers. C'est lui qui contient l'ensemble des dossiers et fichiers. Il est automatiquement créé chaque fois qu'un disque est gravé.

Réglage du son



Réglage des graves, des aigus, de la balance droite et gauche, de l'équilibreur avant/arrière et de la fonction Defeat

1 Appuyez plusieurs fois sur le bouton rotatif (AUDIO) pour sélectionner le mode désiré.

À chaque pression, le mode change de la façon suivante :

SUBW* → BASS → TREBLE → BALANCE → FADER → DEFEAT → VOLUME → SUBW

Subwoofer : 0 ~ +15
Niveau des graves : -7 ~ +7
Niveau des aigus : -7 ~ +7
Balance : L15 ~ R15
Équilibreur : R15 ~ F15
Defeat : ON/OFF
Volume : 0 ~ 35

- Si aucune opération n'est effectuée dans les 5 secondes qui suivent la sélection du mode SUBW, BASS, TREBLE, BALANCE, FADER ou DEFEAT, l'appareil repasse automatiquement en mode normal.

* Lorsque le mode du subwoofer est réglé sur OFF, il est impossible de régler son niveau.

2 Tournez le bouton rotatif jusqu'à ce que le son désiré soit obtenu dans chaque mode.

En réglant la fonction Defeat sur ON, le réglage de BASS et TREBLE effectué précédemment revient aux valeurs par défaut.

Réglage de la commande des graves

Vous pouvez changer les réglages de commande des graves de manière à créer la tonalité de votre choix.

1 Appuyez plusieurs fois sur la touche A.SEL pour sélectionner le mode BASS.

BASS → TREBLE → HPF → BASS

Réglage de la fréquence centrale des graves

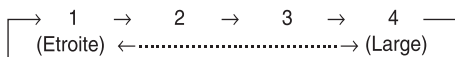
2-1 Appuyez sur BAND pour sélectionner la fréquence centrale des graves.

80Hz → 100Hz → 200Hz → 60Hz → 80Hz

Accentue les gammes de fréquence des graves affichées.

Réglage de la largeur de bande des graves

2-2 Appuyez sur SOURCE/⏻ pour sélectionner la largeur de bande des graves.



Change la largeur de bande des graves accentuées en large ou étroite. Un réglage large accentue une large plage de fréquences au-dessus et en dessous de la fréquence centrale. Un réglage étroit, par contre, n'accroît que les fréquences proches de la fréquence centrale.

Réglage du niveau des graves

2-3*1 Tournez le bouton rotatif pour sélectionner le niveau de graves souhaité (-7~+7).

Vous pouvez accentuer ou affaiblir le niveau des graves.

3 Appuyez sur Q/ESC pendant au moins 2 secondes pour revenir au mode normal.

- Si vous n'exécutez aucune opération dans les 15 secondes, l'appareil revient automatiquement au mode normal.
- Les réglages du niveau des graves sont mémorisés séparément pour chaque source (FM, AM, CD, etc.) jusqu'à ce qu'ils soient modifiés. Une fois la fréquence des graves et la largeur de bande des graves réglées pour l'une des sources, ce réglage est appliqué à toutes les autres sources (FM, AM, CD, etc.).
- La fonction est inopérante lorsque DEFEAT est réglé sur ON.

*1 Vous pouvez également effectuer ce réglage en appuyant sur le bouton rotatif. Reportez-vous à la section « Réglage des graves, des aigus, de la balance droite et gauche, de l'équilibreur avant/arrière et de la fonction Defeat » (page 12).

Réglage de la commande des aigus

Vous pouvez changer les réglages de la commande des aigus de manière à créer la tonalité de votre choix.

1 Appuyez plusieurs fois sur la touche **A.SEL** pour sélectionner le mode **TREBLE**.

BASS → TREBLE → HPF → BASS

Réglage de la fréquence centrale des aigus

2-1 Appuyez sur **BAND** pour sélectionner la fréquence centrale des aigus.

10,0 kHz → 12,5 kHz → 15,0 kHz → 17,5 kHz → 10,0 kHz

Accentue les gammes de fréquence des aigus.

Réglage du niveau des aigus

2-2*2 Tournez le bouton rotatif pour sélectionner le niveau des aigus souhaité (-7~+7).

Vous pouvez accentuer le niveau des aigus.

3 Appuyez sur **Q/ESC** pendant au moins 2 secondes pour revenir au mode normal.

- Si vous n'exécutez aucune opération dans les 15 secondes, l'appareil revient automatiquement au mode normal.
- Les réglages du niveau des aigus sont mémorisés séparément pour chaque source (FM, AM, CD, etc.) jusqu'à ce qu'ils soient modifiés. Une fois la fréquence des aigus réglée pour l'une des sources, ce réglage est appliqué à toutes les autres sources (FM, AM, CD, etc.).
- La fonction est inopérante lorsque DEFEAT est réglé sur ON.

*2 Vous pouvez également effectuer ce réglage en appuyant sur le bouton rotatif. Reportez-vous à la section « Réglage des graves, des aigus, de la balance droite et gauche, de l'équilibreur avant/arrière et de la fonction Defeat » (page 12).

Réglage du filtre passe-haut

Le filtre passe-haut de cet appareil peut être réglé selon vos préférences.

1 Appuyez plusieurs fois sur la touche **A.SEL** pour sélectionner le mode **HPF**.

BASS → TREBLE → HPF → BASS

2 Tournez le bouton rotatif pour sélectionner la fréquence de HPF désirée.

OFF ↔ 80Hz ↔ 120Hz ↔ 160Hz

Toutes les fréquences situées au-dessus de la fréquence de coupure choisie sont reproduites.

3 Appuyez sur **Q/ESC** pendant au moins 2 secondes pour revenir au mode normal.

- Si vous n'exécutez aucune opération dans les 15 secondes, l'appareil revient automatiquement au mode normal.
- L'efficacité de la modification du son par les commandes des graves et des aigus dépend de leur réglage et de celui du HPF.
- La fonction est inopérante lorsque DEFEAT est réglé sur ON.

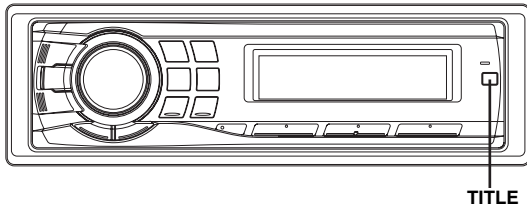
Activation/annulation de la correction physiologique

La correction physiologique accentue spécialement les signaux les plus bas et les plus élevés à faible niveau d'écoute. Elle corrige ainsi la perte de sensibilité de l'oreille aux sons graves et aigus.

Appuyez sur bouton rotatif (**LOUD**) pendant au moins 2 secondes pour activer ou annuler la correction physiologique.

- La fonction est inopérante lorsque DEFEAT est réglé sur ON.

Autres fonctions



Affichage du texte

Les informations textuelles, notamment le nom du disque et de la piste, s'affichent lors de la lecture d'un disque compatible CD-texte. Il est également possible d'afficher le nom de dossier, le nom de fichier et le tag, etc., pendant la lecture des fichiers MP3/WMA/AAC.

Appuyez sur **TITLE**.

L'affichage change chaque fois que vous appuyez sur cette touche.

- Si vous souhaitez changer d'affichage alors que le défilement du texte est réglé sur **MANU**, appuyez sur **TITLE** pendant que le texte défile. Si le défilement est terminé, appuyez sur **TITLE** pour faire de nouveau défiler le texte.

L'affichage en mode **Radio** :

FRÉQUENCE → HORLOGE → FRÉQUENCE

L'affichage en mode **CD** :

NUMÉRO DE LA PISTE/TEMPS ÉCOULÉ →
 NUMÉRO DE LA PISTE/HORLOGE →
 TEXTE (NOM DU DISQUE)*¹ → TEXTE (NOM DE LA PISTE)*¹ →
 NUMÉRO DE LA PISTE/TEMPS ÉCOULÉ

L'affichage en mode **MP3/WMA/AAC** :

NUMÉRO DE FICHIER/TEMPS ÉCOULÉ →
 NUMÉRO DE DOSSIER/NUMÉRO DE FICHIER →
 NUMÉRO DE FICHIER/HORLOGE → NOM DE DOSSIER →
 NOM DE FICHIER → NOM DE L'ARTISTE*² →
 NOM DE L'ALBUM*² → NOM DU MORCEAU*² →
 NUMÉRO DE FICHIER/TEMPS ÉCOULÉ

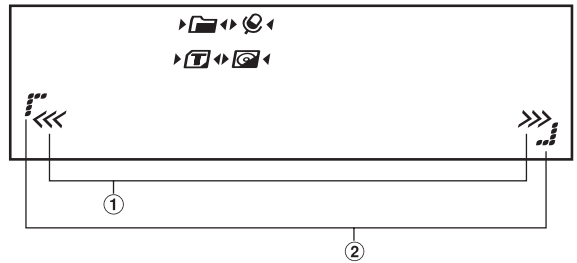
*¹ Affiché pendant la lecture d'un disque avec CD-texte.

*² Tag ID3/tag WMA

Si un fichier MP3/WMA/AAC contient un tag ID3/WMA, les informations de celui-ci sont affichées (par exemple, le nom du morceau, de l'artiste et de l'album). Toutes les autres données de tag sont ignorées.

À propos des indicateurs

Lors de l'affichage de texte, les indicateurs suivants s'allument en fonction du mode sélectionné.



- ① Clignote en mode de recherche en cas de rotation du **bouton rotatif**. Clignote aussi pendant l'exécution d'une opération telle que l'avance rapide, etc.
- ② S'allume en mode **SETUP**.

Indicateur/ Mode	Mode CD	Mode MP3/ WMA/AAC	Mode iPod
	—	Affichage du nom de dossier* ²	—
	—	Affichage du nom de l'artiste* ¹	Affichage du nom de l'artiste* ¹
	Affichage du texte (nom du disque)* ³	Affichage du nom de l'album* ¹	Affichage du nom de l'album* ¹
	Affichage du texte (nom de la piste)* ³	Affichage du nom du morceau* ¹ / nom du fichier	Affichage du nom du morceau* ¹

*¹ Informations sur le tag

S'il n'y a pas d'information sur le tag, « ARTIST »/« ALBUM »/« SONG » est affiché.

*² Le dossier racine est représenté par « FOLDER ».

*³ S'il n'y a pas de texte (nom du disque ou de la piste), « DISC TEXT »/« TRACK TEXT » est affiché.

À propos du « Texte »

Texte :

Les CD compatibles texte contiennent des informations sous forme de texte telles que le nom de disque et le nom de piste. De telles informations sont appelées « texte ».

- Certains caractères peuvent ne pas être affichés correctement avec cet appareil, suivant le type de caractère.
- L'indication « NO SUPPORT » apparaît lorsque les informations de texte souhaitées ne peuvent pas être affichées sur cet appareil.
- Les informations de texte ou de tags peuvent ne pas s'afficher correctement en fonction du contenu.

Affichage de l'heure

Appuyez plusieurs fois sur **TITLE** jusqu'à ce que l'heure s'affiche.

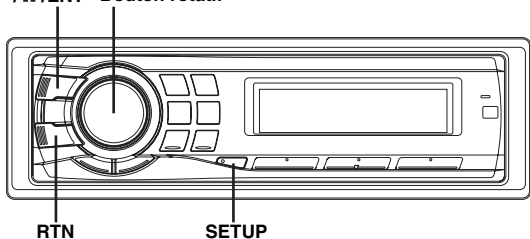
Chaque fois que vous appuyez, l'affichage change. Pour plus d'informations, reportez-vous à la section « Affichage du texte » (page 14).

- Si vous sélectionnez la fonction tuner ou la fonction CD en mode d'horloge prioritaire, l'affichage de l'heure cesse momentanément. La fonction sélectionnée s'affiche pendant environ 5 secondes avant que l'heure s'affiche à nouveau.
- Quand l'appareil est hors tension, mais que le démarreur se trouve sur la position ON, appuyez sur **TITLE** pour activer ou annuler l'affichage de l'heure.

SETUP

Vous pouvez facilement personnaliser l'appareil en fonction de vos préférences et de son utilisation. Le menu SETUP vous permet de modifier la personnalisation du son, de l'affichage, etc.

▶/||/ENT Bouton rotatif



Suivez les étapes 1 à 4 pour sélectionner un des modes SETUP à modifier. Reportez-vous à la section correspondante ci-dessous pour plus d'informations sur l'option du menu SETUP que vous avez sélectionnée.

1 Appuyez sur **SETUP pour activer le mode SETUP.**

2 Tournez le bouton rotatif pour sélectionner le menu de réglage de votre choix, puis appuyez sur ▶/||/ENT.

(Par exemple, sélectionnez SUBWOOFER)

CLOCK ADJUST*¹ ↔ LCD CONTRAST ↔ DIMMER ↔
SUBWOOFER ↔ (SUBW. SYSTEM) *² ↔ PLAY MODE ↔
SCROLL TYPE ↔ TEXT SCROLL ↔ POWER IC ↔
LANGUAGE ↔ DEMO ↔ CLOCK ADJUST

*¹ Reportez-vous à la section « Réglage de l'heure » (page 7).

*² Affiché uniquement si SUBW est activé.

3 Tournez le bouton rotatif pour modifier le réglage.

(Par exemple, sélectionnez SUBW. ON ou SUBW. OFF.)

4 Appuyez sur **SETUP pour revenir au mode normal.**

- Appuyez sur **RTN** pour revenir au mode précédent.
- Si vous n'exécutez aucune opération dans les 60 secondes, l'appareil revient automatiquement au mode normal.

Personnalisation du son

Activation et désactivation du subwoofer

SUBW. ON (réglage initial) / SUBW. OFF

Lorsque le subwoofer est activé, effectuez la procédure ci-dessous pour régler le niveau de sortie.

1 En mode normal, appuyez plusieurs fois sur le bouton rotatif pour sélectionner le mode SUBW.

SUBW → BASS → TREBLE → BALANCE → FADER →
DEFEAT → VOLUME → SUBW

2 Réglez le niveau en tournant le bouton rotatif.

Réglage du système du subwoofer

SUBW. SYS 1 (réglage initial) / SUBW. SYS 2

Sélectionnez SYS 1 ou SYS 2 pour obtenir l'effet subwoofer souhaité.

SUBW. SYS 1 : Le niveau du subwoofer varie en fonction du réglage du volume principal.

SUBW. SYS 2 : Le niveau du subwoofer est différent du réglage du volume principal. Par exemple, le subwoofer demeure audible même lorsque le volume est réglé à un niveau bas.

Personnalisation de l'affichage

Commande du gradateur

DIMMER AUTO (Réglage initial) / DIMMER MANU

Réglez la commande DIMMER sur AUTO pour diminuer la luminosité de l'affichage de l'appareil lorsque les phares du véhicule sont allumés. Ce mode est utile si vous estimez que le rétroéclairage de l'appareil est trop lumineux dans l'obscurité.

Réglage du type de défilement

SCROLL TYPE1 / SCROLL TYPE2 (réglage initial)

Choisissez une des deux méthodes de défilement.

Sélectionnez le type de votre choix.

SCROLL TYPE1 : Les caractères défilent de droite à gauche, un caractère à la fois.

SCROLL TYPE2 : Les caractères s'accroissent de gauche à droite, un caractère à la fois. Quand l'affichage est rempli, il s'efface et les autres mots s'affichent de la même manière, jusqu'à ce que tous les mots du titre aient été affichés.

Réglage du défilement (TEXT SCROLL)

SCROLL AUTO / SCROLL MANU (réglage initial)

Ce lecteur de CD peut faire défiler les noms du disque et des pistes enregistrés sur les disques CD-texte, ainsi que les informations textuelles des fichiers MP3/WMA/AAC, les noms de dossier et les tags.

SCROLL AUTO : Les informations de CD-texte, les informations texte des noms de dossier et de fichier ainsi que les tags défilent automatiquement.

SCROLL MANU : L'affichage défile uniquement au moment où vous chargez un disque, changez de piste, etc.

- L'appareil fait défiler les noms de CD de texte, les noms des dossiers, les noms des fichiers ou les tags.

Réglage de la police de caractères de la langue

LANGUAGE 1 (réglage initial) / LANGUAGE 2

Vous pouvez sélectionner deux types de polices de caractères.

LANGUAGE 1 : Police de caractères normale

LANGUAGE 2 : Police européenne

Réglage du contraste de l'affichage

CONTRAST

Vous pouvez régler le contraste de l'affichage pour une meilleure visibilité.

Le réglage peut s'effectuer sur une plage comprise entre -5 et +3.

- *Le réglage d'usine est « 0 ».*

Démonstration

DEMO ON / DEMO OFF (réglage initial)

Cet appareil possède une fonction de démonstration de l'affichage.

- *Pour quitter le mode de démonstration, choisissez DEMO OFF.*

MP3/WMA/AAC

Lecture de données MP3/WMA/AAC (Mode de lecture)

CD-DA (réglage initial) / CD-DA&MP3

Cet appareil peut lire des CD contenant des données de CD et de MP3/WMA/AAC (créées au format Enhanced CD (CD Extra)). Toutefois, dans certains cas, la lecture des CD améliorés peut s'avérer difficile.

Vous pouvez alors sélectionner la lecture d'une seule session contenant des données de CD. Lorsqu'un disque contient à la fois des données de CD et de MP3/WMA/AAC, la lecture commence à partir de l'endroit où débutent les données de CD du disque.

CD-DA : Seul le CD de données de la session 1 peut être lu.

CD-DA&MP3 : Vous pouvez lire des données de CD, des fichiers MP3/WMA/AAC en mode mixte et des disques multisessions

- *Effectuez ce réglage avant d'insérer un disque. Si un disque est déjà inséré, retirez-le au préalable.*

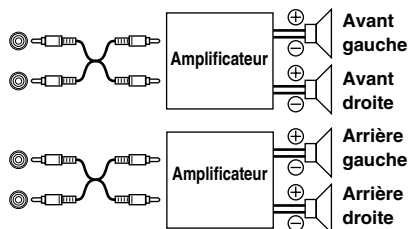
Appareil externe

Raccordement à un amplificateur externe

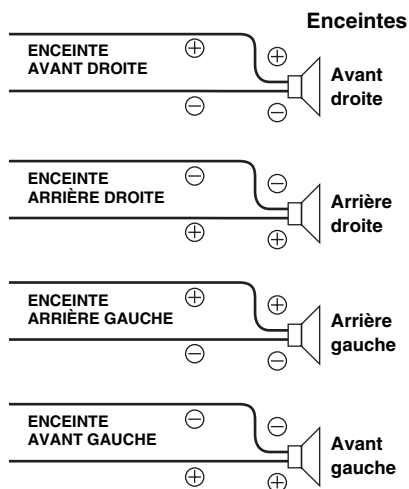
POWER IC ON (réglage initial) / POWER IC OFF

Lorsqu'un amplificateur externe est raccordé, la qualité sonore peut être améliorée en coupant l'alimentation de l'amplificateur intégré.

POWER IC OFF : Utilisez ce mode lorsque la sortie ligne de cet appareil est utilisée pour piloter un amplificateur externe. Quand ce mode est activé, l'amplificateur interne de l'appareil principal est désactivé et ne peut plus piloter les enceintes.

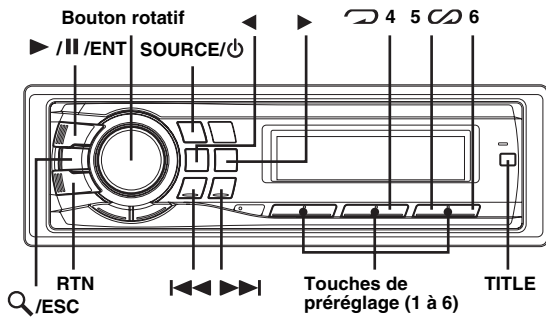


POWER IC ON : Les enceintes sont pilotées par un amplificateur intégré.



- *Le système n'émet aucun son lorsque l'alimentation est réglée sur OFF.*

iPod® (en option)



Vous pouvez raccorder un iPod® à cet appareil à l'aide du câble de raccordement propriétaire ALPINE FULL SPEED™ (KCE-422i) (vendu séparément). Lorsque cet appareil est raccordé à l'aide du câble, les commandes de l'iPod ne fonctionnent pas.

iPod compatibles avec cet appareil

- Cet appareil peut être utilisé avec des iPod, iPod photo, iPod minis ou iPod nano de la quatrième génération. L'iPod Shuffle ne peut cependant pas être utilisé.
- Vous ne pouvez pas raccorder à cet appareil des iPod de type molette de défilement ou molette tactile sans le connecteur d'ancrage.
- L'appareil peut être utilisé avec les versions de l'iPod ci-dessous. Le fonctionnement correct avec des versions antérieures n'est pas garanti.

iPod de la quatrième génération : Ver. 3.1.1
 iPod de la cinquième génération : Ver. 1.1.2
 iPod photo : Ver.1.2.1
 iPod mini : Ver.1.4.1
 iPod nano : Ver.1.2

- L'appareil n'est pas compatible avec les logiciels antérieurs à la version « 2006-06-28 ». Pour plus d'informations sur la « Mise à jour du logiciel iPod », consultez le mode d'emploi de l'iPod.

Lecture

1 Appuyez sur SOURCE/⏻ pour passer au mode iPod.

2 Appuyez sur ◀◀ ou ▶▶ pour sélectionner le morceau souhaité.

Revenez au début du présent morceau :

Appuyez sur ◀◀.

Recherche rapide vers l'arrière au sein du morceau en cours :

Maintenez la touche ◀◀ enfoncée.

Avance jusqu'au début du morceau suivant :

Appuyez sur ▶▶.

Recherche rapide vers l'avant au sein du morceau en cours :

Maintenez la touche ▶▶ enfoncée.

3 Pour interrompre la lecture, appuyez sur ▶/II/ENT.

Appuyez de nouveau sur ▶/II/ENT pour reprendre la lecture.

- La lecture d'un morceau sur l'iPod raccordé à l'appareil reprend là où elle a été interrompue après son débranchement.

Recherche d'un morceau souhaité

Un iPod peut contenir plusieurs centaines de morceaux. Grâce aux informations de tag et à une bonne organisation des morceaux en listes d'écoute, les fonctions de recherche de cet appareil retrouve facilement les morceaux souhaités.

Chaque catégorie musicale possède sa propre hiérarchie. Utilisez le mode de recherche par liste d'écoute/artiste/album/morceau/podcast/gendre/compositeur pour affiner les recherches en vous basant sur le tableau ci-dessous.

Hiérarchie 1	Hiérarchie 2	Hiérarchie 3	Hiérarchie 4
Liste d'écoute	Morceau	—	—
Artiste*	Album*	Morceau	—
Album*	Morceau	—	—
Morceau	—	—	—
Podcast	Épisode	—	—
Genre*	Artiste*	Album*	Morceau
Compositeur*	Album*	Morceau	—

Par exemple : recherche par nom d'artiste

L'exemple suivant illustre comment effectuer une recherche par ARTIST.

Un autre mode de recherche peut être choisi pour la même opération, bien que la hiérarchie soit différente.

1 Appuyez sur Q/ESC pour activer le mode de sélection de recherche.

2 Tournez le bouton rotatif pour sélectionner le mode de recherche par ARTIST, puis appuyez sur ▶/II/ENT.

PLAYLIST ↔ ARTIST ↔ ALBUM ↔ SONG ↔ PODCAST
 ↔ GENRE ↔ COMPOSER ↔ PLAYLIST

3 Tournez le bouton rotatif pour sélectionner l'artiste de votre choix, puis appuyez sur ▶/II/ENT.

4 Tournez le bouton rotatif pour sélectionner l'album de votre choix, puis appuyez sur ▶/II/ENT.

5 Tournez le bouton rotatif pour sélectionner le morceau de votre choix, puis appuyez sur ►/||/ENT.

- Après avoir appuyé sur ►/||/ENT pendant 2 secondes au moins au sein d'une hiérarchie (sauf la hiérarchie SONG), tous les morceaux de la hiérarchie sélectionnée sont lus.
- Après avoir sélectionné [ALL] en mode de recherche avec « * », appuyez sur ►/||/ENT pendant au moins 2 secondes pour lire tous les morceaux de l'iPod ou du mode de recherche sélectionné.
- Le mode de recherche en cours est annulé si vous appuyez sur Q/ESC pendant au moins 2 secondes ou si vous n'exécutez aucune opération pendant 10 secondes.
- En mode de recherche, appuyez sur RTN pour revenir au mode précédent.
- La recherche n'est pas possible en mode de lecture M.I.X.
- « NO SONG » s'affiche si la liste sélectionnée en mode de recherche PLAYLIST ne contient aucun morceau.
- « NO PODCAST » s'affiche si l'iPod ne contient aucun podcast en mode de recherche PODCAST.
- Si le « nom d'iPod » enregistré dans l'iPod est sélectionné dans le mode de recherche par liste d'écoute souhaité, et si vous appuyez sur la touche ►/||/ENT, vous pouvez rechercher tous les morceaux présents sur l'iPod. De même, si vous appuyez sur ►/||/ENT pendant au moins 2 secondes, tous les morceaux de l'iPod sont lus.
- La recherche par podcast n'est pas nécessairement prise en charge par tous les iPod.
- Si vous appuyez sur une des touches de pré-réglage (1 à 6) en mode de recherche, il est possible d'exécuter une recherche rapide en accédant directement à l'endroit voulu. Pour plus de détails, reportez-vous à la section « Fonction de recherche directe » à la page 18.

Recherche rapide

Vous pouvez rechercher un morceau parmi tous ceux de l'iPod sans sélectionner d'album, d'artiste, etc.

1 Appuyez sur Q/ESC pendant au moins 2 secondes au moins pour activer le mode de recherche rapide.

2 Tournez le bouton rotatif pour sélectionner le morceau souhaité.

Le morceau sélectionné est lu immédiatement.

- Appuyez sur Q/ESC pendant au moins 2 secondes en mode de recherche pour annuler. Le mode de recherche est aussi annulé si aucune opération n'est exécutée dans les 10 secondes.
- Si l'iPod contient un grand nombre de morceaux, la recherche peut prendre un certain temps.
- Si vous appuyez sur une des touches de pré-réglage (1 à 6) en mode de recherche, il est possible d'exécuter une recherche rapide en accédant directement à l'endroit voulu. Pour plus de détails, reportez-vous à la section « Fonction de recherche directe » à la page 18.

Fonction de recherche directe

Vous pouvez utiliser la fonction de recherche directe de l'appareil pour rechercher plus efficacement un album, un morceau, etc. En mode liste d'écoute/artiste/album/morceau/podcast/genre/compositeur, vous pouvez rapidement rechercher n'importe quel morceau.

En mode de recherche, appuyez sur une des touches de pré-réglage (1 à 6) (qui correspondent chacune à un pourcentage différent) pour progresser rapidement dans le morceau.

Exemple de recherche par morceau :

Si l'iPod contient 100 morceaux, ils sont divisés en 6 groupes sous la forme de pourcentages (illustrés ci-dessous). Ces groupes correspondent aux touches de pré-réglage (1 à 6).

Exemple 1 :

Supposons que le morceau recherché se situe plus ou moins au milieu (50%) de la bibliothèque : appuyez sur la touche 4 pour accéder au 50ème morceau et tournez le bouton rotatif pour rechercher le morceau souhaité.

Exemple 2 :

Supposons que le morceau recherché se situe plus ou moins à la fin (83%) de la bibliothèque : appuyez sur la touche 6 pour accéder au 83ème morceau et tournez le bouton rotatif pour rechercher le morceau souhaité.

		Total : 100 morceaux (100%)					
		0%	17%	33%	50%	67%	83%
Touches de pré-réglage		1	2	3	4	5	6
Morceaux		Premier morceau	17ème morceau	33ème morceau	50ème morceau	67ème morceau	83ème morceau

Sélection d'une liste d'écoute, d'un artiste, d'un album, d'un podcast, d'un genre, d'un compositeur

Vous pouvez changer facilement de liste d'écoute, d'artiste, d'album, de podcast, de genre ou de compositeur.

Si, par exemple, vous écoutez un morceau d'un album déterminé, vous pouvez changer celui-ci.

Appuyez sur ◀ ou ▶ pour sélectionner la liste d'écoute, l'artiste, l'album, le podcast, le genre ou le compositeur de votre choix.

- Si le mode de recherche a été utilisé pour sélectionner un morceau, cette fonction est inactive.
- Si un album est sélectionné au terme de la recherche par artiste, vous pouvez effectuer une recherche d'albums de cet artiste.
- Cette fonction est inactive pendant la lecture aléatoire (M.I.X.).

Lecture aléatoire (M.I.X.)

La fonction de lecture aléatoire de l'iPod s'affiche sous le nom M.I.X. sur cet appareil.

Lecture aléatoire des albums :



Les morceaux de chaque album sont lus dans l'ordre. Une fois que tous les morceaux de l'album ont été lus, un autre album est choisi au hasard. Cela se poursuit jusqu'à ce que tous les albums aient été lus.

Lecture aléatoire des morceaux :

Cette fonction lit de manière aléatoire les morceaux d'une catégorie choisie (liste d'écoute, album, etc.). Chaque morceau de la catégorie n'est lu qu'une seule fois jusqu'à ce que tous les morceaux soient lus.

1 Appuyez sur 5 .

Les morceaux sont lus dans un ordre aléatoire.

 M.I.X. → M.I.X. → (off) →  M.I.X.
(Lecture aléatoire des albums) (Lecture aléatoire des morceaux)

2 Pour annuler la lecture M.I.X., sélectionnez (off) en exécutant la procédure ci-dessus.

- Si un morceau est sélectionné en mode de recherche par album avant que soit sélectionnée la lecture M.I.X., les morceaux ne sont pas lus de manière aléatoire, même si la lecture aléatoire des albums est sélectionnée.

Lecture aléatoire ALL :

La lecture aléatoire ALL lit tous les morceaux de l'iPod de manière aléatoire. Chaque morceau n'est lu qu'une seule fois jusqu'à ce que tous les morceaux soient tous lus.

1 Appuyez sur 6.

Les morceaux sont lus dans un ordre aléatoire.

M.I.X. → (off) → M.I.X.
(Lecture aléatoire ALL)

2 Pour annuler la lecture M.I.X., sélectionnez (off) en exécutant la procédure ci-dessus.

- Si vous avez choisi la lecture aléatoire ALL, les morceaux sélectionnés qui sont lus en mode de recherche sont annulés.

Lecture répétée

Seul Répéter Un est disponible pour l'iPod.

Répéter Un :

Un seul morceau peut être lu de manière répétée.

1 Appuyez sur 4.

Le morceau est lu de manière répétée.

RPT → (off) → RPT
(Répéter Un)

2 Pour annuler la lecture répétée, sélectionnez (off) en exécutant la procédure ci-dessus.

- Pendant la lecture répétée, aucun autre morceau ne peut être sélectionné en appuyant sur  ou .

Affichage du texte

Vous pouvez afficher les informations de tag d'un morceau dans l'iPod.

Appuyez sur TITLE.

Chaque fois que vous appuyez, l'affichage change.

- Si vous souhaitez changer d'affichage alors que le défilement du texte est réglé sur MANU, appuyez sur **TITLE** pendant que le texte défile. Si le défilement est terminé, appuyez sur **TITLE** pour faire de nouveau défiler le texte.

NUMÉRO DE PISTE/TEMPS ÉCOULÉ →
NUMÉRO DE PISTE/HORLOGE →
NOM DE L'ARTISTE* → NOM DE L'ALBUM* →
TITRE DU MORCEAU* →
NUMÉRO DE LA PISTE/TEMPS ÉCOULÉ

* Informations sur le tag

S'il n'y a pas d'information sur le tag, l'« ARTIST »/« ALBUM »/« SONG » est affiché.

- Seuls des caractères alphanumériques (ASCII) peuvent être affichés.
- Si le nom de l'artiste, de l'album ou du morceau défini dans iTunes compte trop de caractères, les morceaux risquent de ne pas pouvoir être lus lorsque l'iPod est raccordé à l'adaptateur. Il est donc recommandé de ne pas dépasser 250 caractères. Le nombre maximal de caractères est de 64 (64 octets) pour l'unité principale.
- Il est possible que certains caractères ne s'affichent pas correctement.
- « NO SUPPORT » s'affiche si les informations textuelles ne sont pas supportées par l'appareil.

Informations

En cas de problème

En cas de problème, éteignez l'appareil, puis remettez-le sous tension. Si l'appareil ne fonctionne toujours pas correctement, vérifiez les éléments de la liste de contrôle ci-dessous. Ce guide devrait vous aider à résoudre tout problème provenant de l'appareil. Sinon, vérifiez les connexions du reste du système ou consultez un revendeur Alpine agréé.

Base

Fonctions inopérantes ou absence d'affichage.

- La clé de contact du véhicule est sur la position d'arrêt.
 - Si l'appareil est raccordé selon les instructions, il ne fonctionne pas quand la clé de contact est sur la position d'arrêt.
- Connexions incorrectes du fil d'alimentation (rouge) et du fil de la batterie (jaune).
 - Vérifiez les connexions du fil d'alimentation et du fil de la batterie.
- Fusible grillé.
 - Vérifiez le fusible de l'appareil et remplacez-le par un fusible approprié, si nécessaire.
- Disfonctionnement du microprocesseur interne dû à des interférences de bruit, etc.
 - Appuyez sur le commutateur RESET avec un stylo à bille ou un objet pointu.

Radio

Impossible de recevoir les stations.

- Pas d'antenne ou connexion incorrecte des câbles.
 - Vérifiez que l'antenne est bien raccordée ; remplacez l'antenne ou le câble si nécessaire.

Impossible d'accorder les stations en mode de recherche automatique.

- Les signaux dans la région sont faibles.
 - Vérifiez que le tuner est en mode DX.
- Si vous vous trouvez dans une région à signal fort, l'antenne n'est peut-être pas mise à la terre ou raccordée correctement.
 - Vérifiez les connexions de l'antenne ; vérifiez qu'elle est correctement reliée à l'emplacement du montage.
- La longueur de l'antenne ne convient pas.
 - Vérifiez si l'antenne est complètement déployée. Si l'antenne est cassée, remplacez-la par une neuve.

Réception parasitée.

- La longueur de l'antenne ne convient pas.
 - Déployez complètement l'antenne, remplacez-la si elle est cassée.
- L'antenne n'est pas correctement reliée à l'emplacement de montage.
 - Vérifiez que l'antenne est correctement reliée à l'emplacement de montage.

CD

Le lecteur de CD ne fonctionne pas.

- La température dépasse +50°C (+120°F) pour le CD.
 - Laissez la température de l'habitacle (ou du coffre) baisser.

Le son de lecture du disque est déformé.

- Condensation de l'humidité dans le module CD.
 - Attendez que l'humidité s'évapore (environ 1 heure).

Insertion de disque impossible.

- Le lecteur contient déjà un CD.
 - Éjectez le disque et enlevez-le.
- Le CD est mal inséré.
 - Assurez-vous que le CD est inséré conformément aux instructions décrites à la section relative au fonctionnement du lecteur CD.

Recherche rapide vers l'avant/vers l'arrière impossible.

- Le CD est endommagé.
 - Éjectez le disque et jetez-le. L'utilisation d'un disque endommagé peut altérer le mécanisme de l'appareil.

Pertes de son dues à des vibrations.

- Mauvais montage de l'appareil.
 - Réinstallez l'appareil correctement.
- Disque très sale.
 - Nettoyez le disque.
- Disque rayé.
 - Remplacez le disque.
- Lentille de lecture sale.
 - N'utilisez pas un disque de nettoyage disponible dans le commerce. Consultez le revendeur Alpine le plus proche.

Pertes de son non dues à des vibrations.

- Disque sale ou rayé.
 - Nettoyez le disque ; remplacez tout disque endommagé.

Écrans d'erreur (lecteur CD intégré seulement).

- Erreur mécanique
 - Appuyez sur ▲. Après que l'indication d'erreur a disparu, réintroduisez le disque. Si la solution mentionnée ci-dessus ne résout pas le problème, consultez votre revendeur Alpine.

Lecture du CD-R/CD-RW impossible.

- La session de fermeture (finalisation) n'a pas été effectuée.
 - Effectuez la finalisation et reprenez la lecture du disque.

MP3/WMA/AAC

Le format MP3, WMA ou AAC n'est pas reproduit.

- Une erreur de lecture s'est produite. Le format CD n'est pas compatible.
 - Assurez-vous que le CD a été écrit dans un format pris en charge. Reportez-vous à la section « À propos des fichiers MP3/WMA/AAC » (pages 10-11), puis procédez à la réécriture dans un format pris en charge par cet appareil.

Audio

Le son n'est pas reproduit par les enceintes.

- L'appareil ne reçoit pas le signal de sortie de l'amplificateur interne.
 - POWER IC est réglé sur « ON » (page 16).

iPod

Absence de son et de lecture sur l'iPod.

- L'iPod n'est pas reconnu.
 - Réinitialisez l'appareil et l'iPod. Reportez-vous à la section « Mise en service de l'appareil » (page 6). Pour réinitialiser l'iPod, reportez-vous à son Mode d'emploi.

Indications pour le lecteur de CD

HIGH-TEMP

- Le circuit de protection s'est déclenché, car la température est trop élevée.
 - L'indication disparaît quand la température revient dans la plage de fonctionnement.

NO DISC

- Aucun CD n'a été introduit.
 - Introduisez un CD.
- Bien qu'un disque soit inséré dans l'appareil, « NO DISC » est affiché et le disque ne peut pas être lu ou éjecté.
 - Enlevez le disque en procédant de la façon suivante :
Appuyez à nouveau sur la touche ▲ et maintenez-la enfoncée pendant au moins 2 secondes.
S'il s'avère toujours impossible d'éjecter le disque, consultez votre revendeur Alpine.

ERROR

- Erreur du mécanisme.
 - 1) Appuyez sur ▲ et éjectez le CD.
Si l'éjection n'a pas lieu, consultez le revendeur Alpine.
 - 2) Lorsqu'une indication d'erreur persiste après l'éjection, appuyez à nouveau sur ▲.
Si une indication d'erreur persiste toujours après avoir appuyé plusieurs fois sur ▲, consultez le revendeur Alpine.
- Si « ERROR » est affiché :
*S'il n'est pas possible d'éjecter le disque en appuyant sur ▲, appuyez sur le commutateur RESET (voir page 6), puis appuyez à nouveau sur ▲.
S'il s'avère toujours impossible d'éjecter le disque, consultez votre revendeur Alpine.*

PROTECT

- Un fichier WMA protégé par les droits d'auteur a été lu.
 - Vous pouvez lire uniquement les fichiers non protégés par les droits.

UNSUPPORTED

- Un taux d'échantillonnage/taux binaire n'est pas pris en charge par l'appareil.
 - Utilisez un taux d'échantillonnage/taux binaire pris en charge par l'appareil.

Indication relative au mode iPod

NO iPod

- L'iPod n'est pas raccordé.
 - Vérifiez si l'iPod est correctement raccordé (comme décrit à la section « Raccordements »).
 - Vérifiez si la courbure du câble n'est pas excessive.

NO SONG

- L'iPod ne comporte aucun morceau.
 - Téléchargez des morceaux sur l'iPod et raccordez-le à cet appareil.

NO PODCAST

- L'iPod ne comporte aucune donnée de podcast.
 - Téléchargez des données de podcast sur l'iPod et raccordez-le à cet appareil.

ERROR-01

- Erreur de communication
 - Tournez la clé de contact sur OFF, puis de nouveau sur ON.
 - Vérifiez l'affichage en rebranchant l'iPod sur cet appareil à l'aide du câble de l'iPod.

ERROR-02

- La version du logiciel de l'iPod n'est pas compatible avec cet appareil.
 - Mettez à jour le logiciel de l'iPod vers une version compatible avec cet appareil.

Spécifications

SECTION TUNER FM

Plage de syntonisation	87,7-107,9 MHz
Sensibilité mono utilisable	9,3 dBf (0,8 μ V/75 ohms)
Sensibilité d'atténuation 50 dB	13,5 dBf (1,3 μ V/75 ohms)
Sélectivité de canal alternatif	80 dB
Rapport signal-bruit	65 dB
Séparation stéréo	35 dB
Taux de capture	2,0 dB

SECTION DU TUNER AM

Plage de syntonisation	530-1 710 kHz
Sensibilité (norme IEC)	22,5 μ V/27 dB

SECTION DU LECTEUR DE CD

Réponse en fréquence	5-20 000 Hz (\pm 1 dB)
Pleurage et scintillement (% WRMS)	Inférieur aux limites mesurables
Distorsion harmonique totale	0,008% (à 1 kHz)
Gamme dynamique	95 dB (à 1 kHz)
Rapport signal-bruit	105 dB
Séparation des canaux	85 dB (à 1 kHz)

LENTILLE

Longueur d'onde	795 nm
Puissance du laser	CLASS I

GÉNÉRALITÉS

Alimentation	14,4 V CC (11-16 V admissibles)
Puissance de sortie	16 W RMS \times 4*
* Niveaux d'amplificateur primaire conformes à la norme CEA-2006	
• Puissance de sortie : mesurée à 4 ohms et \leq 1% DHT+B	
• Signal/bruit : 80 dBA (référence : 1 W en 4 ohms)	
Tension sortie pré-ampli maximum	2 V/10 Kohms
Graves	\pm 14 dB à 100 Hz
Aigus	\pm 14 dB à 10 kHz
Poids	1,6 kg (3 lbs. 8 oz)

DIMENSIONS DU CHÂSSIS

Largeur	178 mm (7")
Hauteur	50 mm (2")
Profondeur	161 mm (6-3/8")

DIMENSIONS DE L'AVANT

Largeur	170 mm (6-3/4")
Hauteur	46 mm (1-13/16")
Profondeur	24 mm (15/16")

- *La conception et les spécifications peuvent être modifiées sans préavis en vue d'améliorer les produits.*

Installation et raccordements

Avant d'installer ou de raccorder l'appareil, lisez attentivement les précautions suivantes ainsi que les pages 3 et 5 de ce mode d'emploi de manière à en garantir une utilisation correcte.

Avertissement

EFFECTUER CORRECTEMENT LES CONNEXIONS.

Il y a risque de blessures ou de dommages à l'appareil.

A UTILISER UNIQUEMENT SUR DES VOITURES A MASSE NEGATIVE DE 12 VOLTS.

(Vérifiez auprès de votre concessionnaire si vous n'en êtes pas certain.)
Il y a risque d'incendie, etc.

AVANT TOUTE CONNEXION, DEBRANCHER LE CABLE DE LA BORNE NEGATIVE DE LA BATTERIE.

Il y a risque de choc électrique ou de blessure par courts-circuits.

NE PAS COINCER LES CABLES AVEC DES OBJETS VOISINS.

Positionner les câbles conformément au manuel de manière à éviter toute obstruction en cours de conduite. Les câbles qui obstruent ou dépassent à des endroits tels que le volant, le levier de changement de vitesses, la pédale de frein, etc., peuvent s'avérer extrêmement dangereux.

NE PAS DENUDER LES CABLES ELECTRIQUES.

Ne jamais enlever la gaine isolante pour alimenter un autre appareil. Il y a risque de dépassement de la capacité de courant et, partant, d'incendie ou de choc électrique.

NE PAS ENDOMMAGER DE CONDUITES NI DE CABLES LORS DU FORAGE DES TROUS.

Lors du forage de trous dans le châssis en vue de l'installation, veiller à ne pas entrer en contact, endommager ni obstruer de conduites, de tuyaux à carburant ou de fils électriques. Le non-respect de cette précaution peut entraîner un incendie.

NE PAS UTILISER DES ECROUS NI DES BOULONS DU CIRCUIT DE FREINAGE OU DE DIRECTION POUR LES CONNEXIONS DE MASSE.

Les boulons et les écrous utilisés pour les circuits de freinage et de direction (ou de tout autre système de sécurité) ou les réservoirs ne peuvent JAMAIS être utilisés pour l'installation ou la liaison à la masse. L'utilisation de ces organes peut désactiver le système de contrôle du véhicule et causer un incendie, etc.

GARDER LES PETITS OBJETS COMME LES PILES HORS DE PORTEE DES ENFANTS.

L'ingestion de tels objets peut entraîner de graves blessures. En cas d'ingestion, consulter immédiatement un médecin.

NE PAS INSTALLER A DES ENDROITS SUSCEPTIBLES D'ENTRAVER LA CONDUITE DU VEHICULE, COMME LE VOLANT OU LE LEVIER DE VITESSES.

La vue vers l'avant pourrait être obstruée ou les mouvements gênés, etc., et provoquer un accident grave.

Attention

FAIRE INSTALLER LE CABLAGE ET L'APPAREIL PAR DES EXPERTS.

Le câblage et l'installation de cet appareil requiert des compétences techniques et de l'expérience. Pour garantir la sécurité, faire procéder à l'installation de cet appareil par le distributeur qui vous l'a vendu.

UTILISER LES ACCESSOIRES SPECIFIES ET LES INSTALLER CORRECTEMENT.

Utiliser uniquement les accessoires spécifiés. L'utilisation d'autres composants que les composants spécifiés peut causer des dommages internes à cet appareil ou son installation risque de ne pas être effectuée correctement. Les pièces utilisées risquent de se desserrer et de provoquer des dommages ou une défaillance de l'appareil.

FAIRE CHEMINER LE CABLAGE DE MANIERE A NE PAS LE COINCER CONTRE UNE ARETE METALLIQUE.

Faire cheminer les câbles à l'écart des pièces mobiles (comme les rails d'un siège) et des arêtes acérées ou pointues. Cela évitera ainsi de coincer et d'endommager les câbles. Si un câble passe dans un orifice métallique, utiliser un passe-cloison en caoutchouc pour éviter que la gaine isolante du câble ne soit endommagée par le rebord métallique de l'orifice.

NE PAS INSTALLER A DES ENDROITS TRES HUMIDES OU POUSSIEREUX.

Eviter d'installer l'appareil à des endroits soumis à une forte humidité ou à de la poussière en excès. La pénétration d'humidité ou de poussière à l'intérieur de cet appareil risque de provoquer une défaillance.

Précautions

- S'assurer de déconnecter le câble du pôle (-) de la batterie avant l'installation du CDE-9881. Ceci réduit les risques d'endommager l'unité en cas de court-circuit.
- S'assurer de connecter les conducteurs codés en couleur en se conformant au schéma. Des connexions incorrectes peuvent occasionner le mauvais fonctionnement de l'unité ou le dégât du système électrique du véhicule.
- Lors de la connexion des câbles au système électrique du véhicule, il faut être conscient des composants installés en usine (tel qu'un ordinateur de bord). S'assurer de ne pas brancher à ces conducteurs pour fournir l'alimentation à cette unité. Lors de la connexion du CDE-9881 au boîtier à fusible, s'assurer que le fusible du circuit désigné pour le CDE-9881 a l'ampérage approprié. Sinon, l'unité et/ou le véhicule peuvent être endommagés. En cas de doute, consulter le revendeur Alpine.
- Le CDE-9881 utilise des prises femelles de type RCA pour la connexion à d'autres unités (par exemple à un amplificateur) équipées de connecteurs RCA. Un adaptateur peut être nécessaire pour le connecter à d'autres unités. Si c'est le cas, contacter le revendeur agréé Alpine pour obtenir de l'assistance technique.
- S'assurer de connecter les câbles d'enceinte (-) à la borne d'enceinte (-). Ne jamais connecter les câbles d'enceinte du canal gauche et droit l'un à l'autre ou à la carrosserie du véhicule.

IMPORTANT

Veuillez inscrire le numéro de série de votre appareil dans l'espace prévu ci-dessous et conservez-le soigneusement dans vos archives. Le numéro de série ou la plaquette sur lequel il est gravé se trouve sur le dessous de l'appareil.

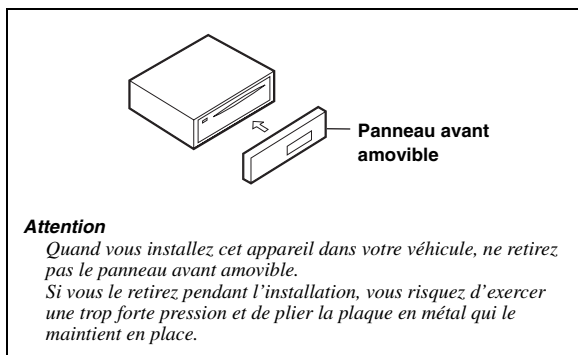
NUMÉRO DE SÉRIE : _____

DATE D'INSTALLATION : _____

INSTALLATEUR : _____

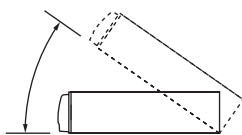
LIEU D'ACHAT : _____

Installation

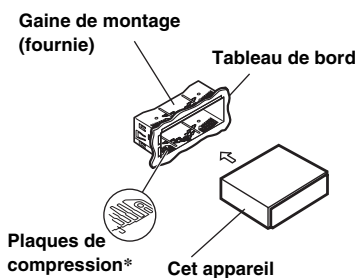


- L'unité principale doit être fixée à moins de 35 degrés du plan horizontal, de l'arrière vers l'avant.

Moins de 35°



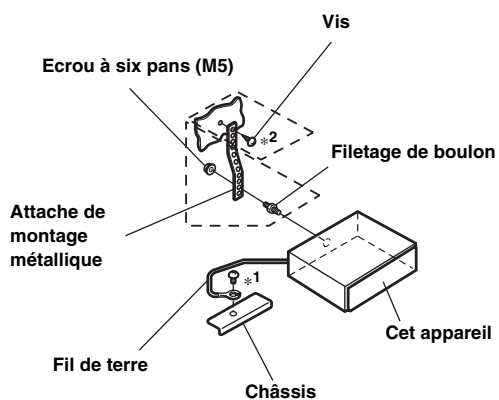
1



* Si la gaine de montage installée n'épouse pas bien la forme du tableau de bord, les plaques de compression peuvent être légèrement pliées pour remédier au problème.

**Enlevez le panneau avant amovible (voir page 6).
Enlevez la gaine de montage de la détacher de l'unité principale (voir « Dépose » à la page 25).**

2



Renforcez l'unité principale avec une attache de montage métallique (non fournie). Raccordez le fil de terre de l'appareil à un point métallique propre à l'aide d'une vis (*1) déjà fixée au châssis du véhicule.

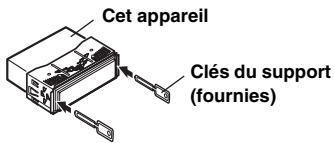
- Pour la vis « *2 », utilisez une vis appropriée à l'emplacement de montage choisi.

Raccordez chaque fil d'entrée provenant d'un amplificateur au fil de sortie correspondant qui provient de la partie arrière gauche du CDE-9881. Raccordez tous les autres fils du CDE-9881 de la manière décrite à la section RACCORDEMENTS.

- 3** Glissez le CDE-9881 dans le tableau de bord jusqu'à ce qu'il émette un déclic. De cette façon, l'appareil sera convenablement fixé et il ne risquera pas de tomber accidentellement du tableau de bord. Installez le panneau avant amovible.

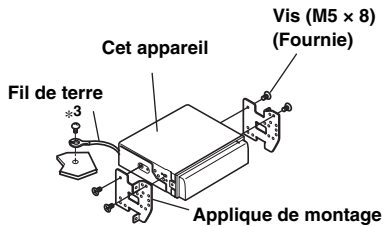
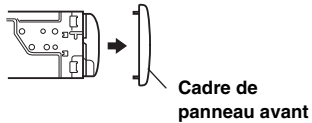
Dépose

1. Déposez le panneau avant amovible.
2. Insérez les clés du support dans l'appareil, le long des guides situés de part et d'autre. Vous pouvez à présent retirer l'appareil de la gaine de montage.



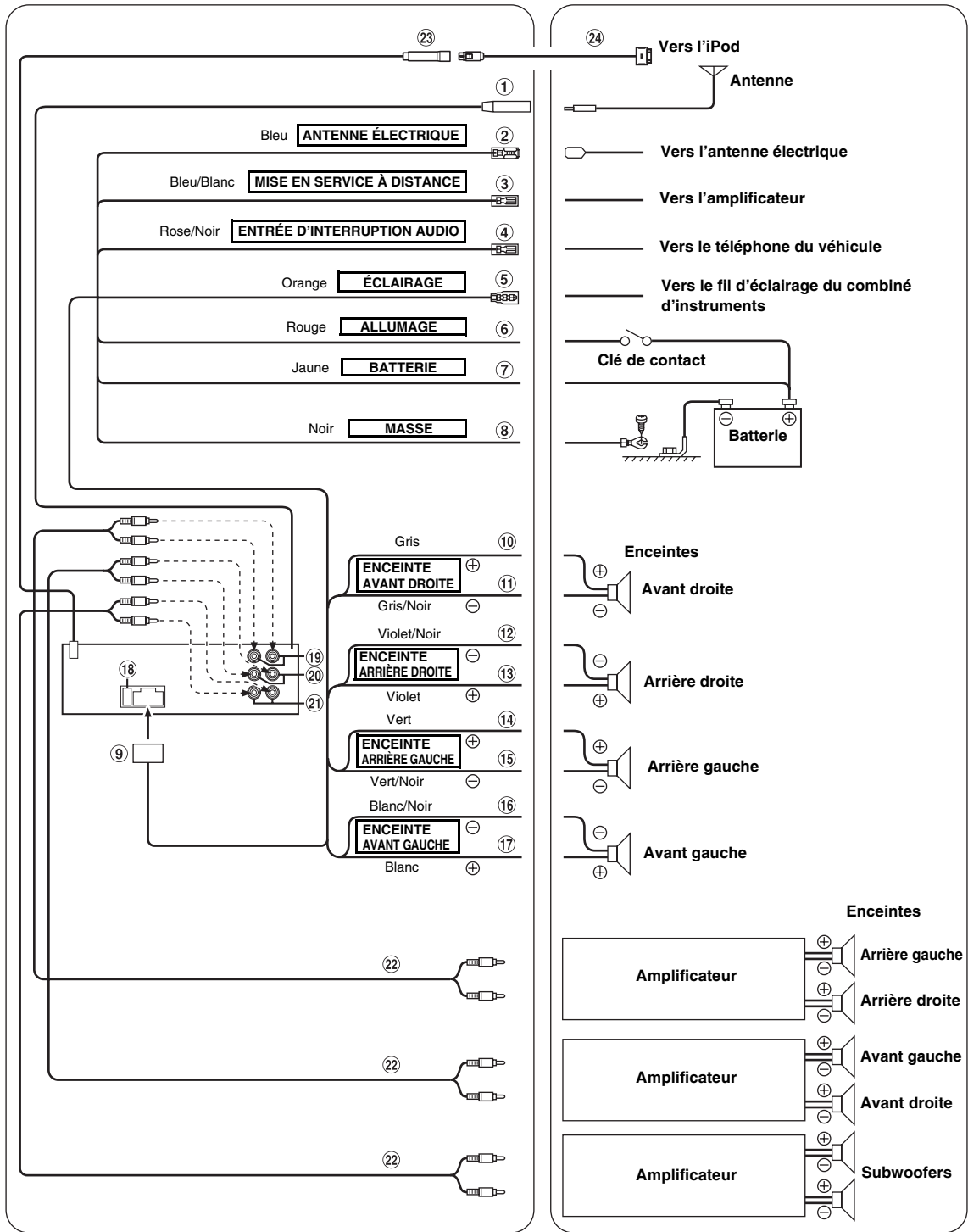
3. Extrayez l'appareil, en le maintenant déverrouillé.

<VOITURE JAPONAISE>



Raccordez le fil de terre de l'appareil à un point métallique propre à l'aide d'une vis (*³) déjà fixée au châssis du véhicule.

Raccordements



- ① **Prise d'antenne**
- ② **Fil d'antenne électrique (Bleu)**
Connectez ce fil à la borne +B de l'antenne électrique éventuelle.
 - *Ce fil doit uniquement être utilisé pour commander l'antenne électrique du véhicule. N'utilisez pas ce fil pour mettre sous tension un amplificateur, un processeur de signal, etc.*
- ③ **Fil de mise sous tension à distance (Bleu/Blanc)**
Connectez ce fil au fil de mise sous tension à distance de votre amplificateur ou processeur de signal.
- ④ **Fil d'entrée d'interruption audio (Rose/Noir)**
Connectez ce fil à la sortie d'interface audio d'un téléphone cellulaire qui assure une mise à la masse quand un appel est reçu.
- ⑤ **Fil d'éclairage (Orange)**
Ce fil peut être raccordé au fil d'éclairage du combiné d'instruments du véhicule. Cela permettra d'estomper le rétroéclairage du CDE-9881 quand les phares du véhicule sont allumés.
- ⑥ **Fil d'alimentation commutée (Allumage) (Rouge)**
Connectez ce fil à une borne ouverte sur la boîte à fusible du véhicule ou à une autre source d'énergie inutilisée qui fournit (+) 12V uniquement lorsque l'allumage est mis sous tension ou réglé sur la position accessoire.
- ⑦ **Fil de la batterie (Jaune)**
Connectez ce fil à la borne positive (+) de la batterie du véhicule.
- ⑧ **Fil de terre (Noir)**
Connectez ce fil à une bonne masse du châssis sur le véhicule. Assurez-vous que la connexion est établie à un métal nu et solidement fixé en utilisant une vis pour feuille métallique fournie.
- ⑨ **Connecteur d'alimentation**
- ⑩ **Fil de sortie de l'enceinte avant droite (+) (Gris)**
- ⑪ **Fil de sortie de l'enceinte avant droite (-) (Gris/Noir)**
- ⑫ **Fil de sortie de l'enceinte arrière droite (-) (Violet/Noir)**
- ⑬ **Fil de sortie de l'enceinte arrière droite (+) (Violet)**
- ⑭ **Fil de sortie de l'enceinte arrière gauche (+) (Vert)**
- ⑮ **Fil de sortie de l'enceinte arrière gauche (-) (Vert/Noir)**
- ⑯ **Fil de sortie de l'enceinte avant gauche (-) (Blanc/Noir)**
- ⑰ **Fil de sortie de l'enceinte avant gauche (+) (Blanc)**
- ⑱ **Porte-fusible (10A)**
- ⑲ **Connecteurs RCA de sortie des enceintes arrière**
ROUGE est droit et BLANC est gauche.
- ⑳ **Connecteurs RCA de sortie des enceintes avant**
ROUGE est droit et BLANC est gauche.
- ㉑ **Connecteurs RCA de subwoofer**
ROUGE est droit et BLANC est gauche.
- ㉒ **Câble d'extension RCA (vendu séparément)**
- ㉓ **Connecteur direct iPod**
Contrôle les signaux de l'iPod.
Raccordez-le à un iPod en utilisant le câble de raccordement FULL SPEED™ (KCE-422i) (vendu séparément) .
- ㉔ **Câble de raccordement FULL SPEED™ (KCE-422i) (vendu séparément)**

Pour que le système audio capte les parasites externes.

- Installez l'appareil et acheminez les câbles à au moins 10 cm de distance du faisceau de câbles de la voiture.
- Éloignez les câbles d'alimentation de la batterie le plus possible des autres câbles.
- Raccordez le fil de terre à un point métallique apparent (enlevez la couche de peinture, de saleté ou de graisse si nécessaire) du châssis de la voiture.
- Si vous ajoutez un filtre antiparasites en option, raccordez-le le plus loin possible de l'appareil. Contactez votre revendeur Alpine pour plus de détails sur les divers filtres antiparasites disponibles.
- Consultez votre revendeur Alpine pour plus de détails sur les mesures de prévention contre les parasites.



GARANTIE LIMITÉE

Fidèles à leur engagement de ne fournir que des produits de qualité, ALPINE ÉLECTRONIQUE DE L'AMÉRIQUE, INC. et ALPINE ÉLECTRONIQUE DU CANADA, INC. (Alpine) sont heureuses de vous offrir cette garantie. Nous vous suggérons de le lire attentivement et en entier. Si vous avez la moindre question, veuillez contacter l'un de nos concessionnaires ou appeler directement Alpine aux numéros listés ci-dessous.

● PRODUITS COUVERTS PAR LA GARANTIE

Cette garantie couvre les produits audio de voiture et les accessoires connexes ("le produit"). Elle ne couvre les produits que dans le pays où ils ont été achetés.

● DURÉE DE LA GARANTIE

Cette garantie est en vigueur pendant un an à partir de la date du premier achat du client.

● PERSONNES PROTÉGÉES PAR LA GARANTIE

Seul l'acheteur original du produit, s'il réside aux États-Unis, à Porto Rico ou au Canada, peut se prévaloir de la garantie.

● CE QUI EST COUVERT

Cette garantie couvre tous les défauts de matériaux et de fabrication (pièces et main d'œuvre) du produit.

● CE QUI N'EST PAS COUVERT

Cette garantie ne couvre pas ce qui suit:

- ① Les dommages survenus durant le transport des produits renvoyés à Alpine pour être réparés (les réclamations doivent être adressées au transporteur);
- ② Les dégâts provoqués par un accident ou une mauvaise utilisation, y compris des bobines acoustiques grillées suite à une surexcitation des enceintes (augmentation du niveau de l'amplificateur jusqu'à atteindre un effet de distorsion ou d'écrêtage), une défaillance mécanique des enceintes (perforations, déchirures ou fentes), panneaux LCD fissurés ou endommagés, disques durs endommagés ou ayant subi une chute.
- ③ Tout dégât provoqué par négligence, usage inapproprié, mauvaise utilisation ou par le non-respect des instructions indiquées dans le manuel de l'utilisateur.
- ④ Les dommages dus à la force majeure, notamment aux tremblements de terre, au feu, aux inondations, aux tempêtes ou aux autres cataclysmes naturels; Les frais ou les dépenses relatifs à l'enlèvement ou à la réinstallation du produit;
- ⑤ Les services rendus par une personne, physique ou morale non autorisée;
- ⑥ Les produits dont le numéro de série a été effacé, modifié ou retiré;
- ⑦ Les produits qui ont été adaptés ou modifiés sans le consentement d'Alpine;
- ⑧ Les produits qui ne sont pas distribués par Alpine aux États-Unis, à Porto Rico ou au Canada;
- ⑨ Les produits qui n'ont pas été achetés par l'entremise d'un concessionnaire Alpine autorisé;

● COMMENT SE PRÉVALOIR DE LA GARANTIE

- ① Il vous faut remettre le produit nécessitant des réparations à un centre de service autorisé Alpine ou à Alpine même et en assumer les frais de transport. Alpine a le choix entre réparer le produit ou le remplacer par un produit neuf ou révisé, le tout sans frais pour vous. Si les réparations sont couvertes par la garantie et si le produit a été envoyé à un centre de service Alpine ou à Alpine, le paiement des frais de réexpédition du produit incombe Alpine.

- ② Vous devez donner une description détaillée des problèmes qui sont à l'origine de votre demande de réparation.
- ③ Vous devez joindre la preuve de votre achat du produit.
- ④ Vous devez emballer soigneusement le produit pour éviter tout dommage durant son transport. Pour éviter la perte de l'envoi, il est conseillé de choisir un transporteur qui propose un service de suivi des envois.

● LIMITATION DES GARANTIES TACITES

LA DURÉE DE TOUTES LES GARANTIES TACITES, Y COMPRIS LA GARANTIE D'ADAPTATION À L'UTILISATION ET LA GARANTIE DE QUALITÉ LOYALE ET MARCHANDE, EST LIMITÉE À CELLE DE LA GARANTIE EXPRESSE DÉTERMINÉE CI-DESSUS. PERSONNE N'EST AUTORISÉ À ENGAGER AUTREMENT LA RESPONSABILITÉ D'ALPINE EN VERTU DE LA VENTE D'UN PRODUIT.

● EXCLUSIONS DE LA GARANTIE

ALPINE STIPULE EXPRESSÉMENT QU'ELLE N'EST PAS RESPONSABLE DES DOMMAGES-INTÉRÊTS ET DOMMAGES INDIRECTS PROVOQUÉS PAR LE PRODUIT. LES DOMMAGES-INTÉRÊTS SONT LES FRAIS DE TRANSPORT DU PRODUIT VERS UN CENTRE DE SERVICE ALPINE, LA PERTE DE TEMPS DE L'ACHETEUR ORIGINAL, LA PERTE D'UTILISATION DU PRODUIT, LES BILLETS D'AUTOBUS, LA LOCATION DE VOITURES ET TOUTS LES AUTRES FRAIS LIÉS À LA GARDE DU PRODUIT. LES DOMMAGES INDIRECTS SONT LES FRAIS DE RÉPARATION OU DE REMPLACEMENT D'AUTRES BIENS ENDOMMAGÉS SUITE AU MAUVAIS FONCTIONNEMENT DU PRODUIT. LES RECOURS PRÉVUS PAR LES PRÉSENTES EXCLUENT ET REMPLACENT TOUTE AUTRE FORME DE RECOURS.

● LIEN ENTRE LA GARANTIE ET LA LOI

La garantie vous donne des droits spécifiques, mais vous pouvez aussi jouir d'autres droits, qui varient d'un état ou d'une province à l'autre. En outre, certains états et certaines provinces interdisent de limiter la durée des garanties tacites ou d'exclure les dommages accessoires ou indirects. Dans ce cas, les limites et les exclusions de la garantie peuvent ne pas s'appliquer à vous.

● CLAUSE APPLICABLE AU CANADA SEULEMENT

Pour que la garantie soit valable, il faut qu'un centre d'installation autorisé ait installé le système audio pour l'auto dans votre véhicule et qu'il ait ensuite apposé son cachet sur la garantie.

● NUMÉROS D'APPEL DU SERVICE À LA CLIENTÈLE

Si vous avez besoin de nos services, veuillez appeler Alpine aux numéros ci-dessous pour le centre de service autorisé Alpine le plus proche.

AUDIO DE VOITURE	1-800-ALPINE-1 (1-800-257-4631)
NAVIGATION	1-888-NAV-HELP (1-888-628-4357)

Ou visitez notre site Web à l'adresse <http://www.alpine-usa.com>

ALPINE ÉLECTRONIQUE DE L'AMÉRIQUE, INC., 19145 Gramercy Place, Torrance, California 90501, U.S.A.

ALPINE ÉLECTRONIQUE DU CANADA, INC., 777 Supertest Road, Toronto, Ontario M3J 2M9, Canada

N'envoyez aucun produit à ces adresses.

Appelez notre numéro gratuit ou visitez notre site Web si vous recherchez un centre de service.

Índice

Manual de instrucciones

ADVERTENCIA

ADVERTENCIA	3
PRUDENCIA	3
PRECAUCIONES	3

Primeros pasos

Lista de accesorios	6
Conexión y desconexión de la alimentación	6
Extracción y fijación del panel frontal	6
Puesta en funcionamiento inicial del sistema ...	6
Ajuste del volumen	7
Reducción rápida del volumen	7
Ajuste de la hora	7

Radio

Funcionamiento de la radio	7
Almacenamiento manual de emisoras	8
Almacenamiento automático de emisoras	8
Sintonía de emisoras memorizadas	8

CD/MP3/WMA/AAC

Reproducción	8
Repetición de reproducción	9
M.I.X. (Reproducción aleatoria)	9
Búsqueda en texto de CD	9
Búsqueda de nombre de archivo/carpeta (relativo a MP3/WMA/AAC)	10
Búsqueda rápida	10
Acerca de MP3/WMA/AAC	10

Ajuste de sonido

Ajuste de graves/agudos/balance (entre los altavoces derechos e izquierdos)/ Fader (entre los altavoces delanteros y traseros)/Defeat	12
Ajuste del control de graves	12
Ajuste del control de agudos	13
Ajuste del filtro de paso alto	13

Activación/ desactivación del efecto de sonoridad	13
------------------------------------------------------------	----

Otras funciones

Visualización de texto	14
Visualización de la hora	14

SETUP

Preferencias de sonido

Activación y desactivación del subwoofer	15
Ajuste del sistema de subwoofer	15

Preferencias visuales

Control de atenuación	15
Ajuste de tipo de desplazamiento	15
Ajuste del desplazamiento (TEXT SCROLL)	15
Ajuste de fuentes de idioma	16
Ajuste del contraste de la pantalla	16
Demostración	16

MP3/WMA/AAC

Reproducción de datos MP3/WMA/AAC (Play Mode)	16
--------------------------------------------------------	----

Dispositivo externo

Conexión a un amplificador externo	16
------------------------------------------	----

iPod® (opcional)

Reproducción	17
Búsqueda de la canción deseada	17
Búsqueda rápida	18
Función de búsqueda directa	18
Selección de Lista de reproducción/Artista/ Álbum/Podcast/Género/Compositor	18
Reproducción aleatoria (M.I.X.)	19
Repetición de reproducción	19
Visualización de texto	19

Información

En caso de dificultad	20
Especificaciones	22

Ubicación y conexiones

Advertencia	23
Prudencia	23
Precauciones	23
Instalación	24
Conexiones	26

Manual de instrucciones

ADVERTENCIA

ADVERTENCIA

Este símbolo indica que las instrucciones son importantes. De no tenerse en cuenta, podría ocasionarse heridas graves o muerte.

NO REALICE NINGUNA OPERACIÓN QUE PUEDA DISTRAER SU ATENCIÓN Y COMPROMETER LA SEGURIDAD DURANTE LA CONDUCCIÓN DEL VEHÍCULO.

Las operaciones que requieren su atención durante más tiempo sólo deben realizarse después de detener completamente el vehículo. Estacione el vehículo en un lugar seguro antes de realizar dichas operaciones. De lo contrario, podría ocasionar un accidente.

MANTENGA EL VOLUMEN A UN NIVEL QUE NO LE IMPIDA ESCUCHAR LOS SONIDOS DEL EXTERIOR MIENTRAS CONDUCE.

Los niveles de volumen demasiado altos que reducen la percepción de otros sonidos como las sirenas de emergencia o posibles señales acústicas de advertencia en carretera (cruces de trenes, etc.) podrían ser peligrosos y provocar un accidente. LOS NIVELES DE VOLUMEN ALTOS EN EL VEHÍCULO TAMBIÉN PUEDEN DAÑAR EL SISTEMA AUDITIVO DE LOS PASAJEROS.

REDUZCA AL MÁXIMO LA VISUALIZACIÓN DE LA PANTALLA MIENTRAS CONDUCE.

El conductor puede distraer su atención de la carretera mientras mira la pantalla y ocasionar un accidente.

NO DESMONTE NI ALTERE LA UNIDAD.

Si lo hace, podrá ocasionar un accidente, un incendio o una descarga eléctrica.

UTILICE LA UNIDAD SOLAMENTE EN VEHÍCULOS QUE TENGAN 12 VOLTIOS CON NEGATIVO A MASA.

(Consulte a su distribuidor en caso de duda.) De no ser así, podría ocasionar un incendio, etc.

MANTENGA LOS OBJETOS PEQUEÑOS, COMO LAS PILAS, FUERA DEL ALCANCE DE LOS NIÑOS.

La ingestión de estos objetos puede provocar lesiones graves. Si esto ocurre, consulte con un médico inmediatamente.

UTILICE EL AMPERAJE CORRECTO CUANDO CAMBIE FUSIBLES.

De lo contrario, puede producirse un incendio o una descarga eléctrica.

NO OBSTRUYA LOS ORIFICIOS DE VENTILACIÓN O LOS PANELES DEL RADIADOR.

Si los bloquea, el calor podría acumularse en el interior y producir un incendio.

UTILICE ESTE PRODUCTO CON APLICACIONES MÓVILES DE 12 V.

Si se emplea para otra aplicación distinta de la prevista, podría producirse un incendio, una descarga eléctrica u otras lesiones.

NO INTRODUZCA LAS MANOS, LOS DEDOS NI OTROS OBJETOS EXTRAÑOS EN LAS RANURAS DE INSERCIÓN O EN LAS ABERTURAS.

Si lo hiciera, podría sufrir heridas u ocasionar daños al equipo.

PRUDENCIA

Este símbolo indica que las instrucciones son importantes. De no tenerse en cuenta, podría ocasionarse heridas graves o daños materiales.

DEJE DE USAR LA UNIDAD INMEDIATAMENTE SI APARECE ALGÚN PROBLEMA.

Su uso en estas condiciones podría ocasionar lesiones personales o daños al producto. Lleve la unidad a un distribuidor Alpine autorizado o al Centro de servicio Alpine más próximo para repararla.

PRECAUCIONES

Limpieza del producto

Limpie el producto periódicamente con un paño suave y seco. Para limpiar las manchas más difíciles, humedezca el paño únicamente con agua. Cualquier otro líquido puede disolver la pintura o deteriorar el plástico.

Temperatura

Cerciórese de que la temperatura del interior de vehículo esté entre +60°C (+140°F) y -10°C (+14°F) antes de conectar la alimentación de la unidad.

Condensación de humedad

Usted puede oír fluctuaciones en el sonido de reproducción de un disco compacto debido a la condensación de humedad. Cuando suceda esto, extraiga el disco del reproductor y espere aproximadamente una hora hasta que se evapore la humedad.

Disco dañado

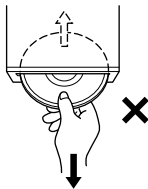
No intente reproducir discos rayados, deformados o dañados. La reproducción de un disco en malas condiciones podría dañar el mecanismo de reproducción.

Mantenimiento

Si tiene problemas, no intente reparar la unidad por sí mismo. Devuélvala a su proveedor Alpine o a la estación de servicio Alpine más cercana para que se la reparen.

No intente realizar nunca lo siguiente

No tire del disco ni lo sujete mientras esté insertándose en el reproductor mediante el mecanismo de carga automática. No intente insertar un disco en el reproductor mientras la alimentación del mismo esté desconectada.

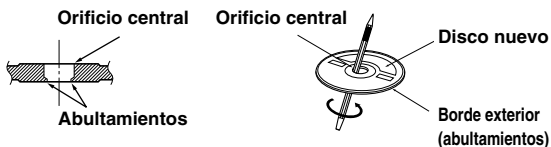


Inserción de los discos

El reproductor solamente aceptará un disco cada vez para su reproducción. No intente cargar más de un disco. Cerciñese de que la cara de la etiqueta esté hacia arriba cuando inserte el disco. Si inserta un disco incorrectamente, el reproductor mostrará el mensaje "ERROR". Si "ERROR" continúa mostrándose aún después de insertar el disco correctamente, presione el interruptor RESET con un objeto puntiagudo, como un bolígrafo. Si se reproduce un disco al conducir por una carretera muy accidentada pueden producirse saltos del sonido, aunque el disco no se rayará ni se dañará el reproductor.

Discos nuevos

Para evitar el atasco del CD, aparece "ERROR" si se insertan discos con superficies irregulares o no se insertan correctamente. Cuando se expulse un disco nuevo inmediatamente después de la carga inicial, compruebe con un dedo los bordes del orificio central y del exterior. Si nota abultamientos o irregularidades, es posible que el disco no pueda cargarse correctamente. Para eliminar los abultamientos, frote el borde interior del orificio central y del exterior con un bolígrafo u otro objeto similar y después inserte de nuevo el disco.



Discos de forma irregular

Asegúrese de utilizar solamente discos de forma redonda en esta unidad y nunca utilice ningún otro disco de forma especial. El uso de discos de forma especial podría causar daños al mecanismo.



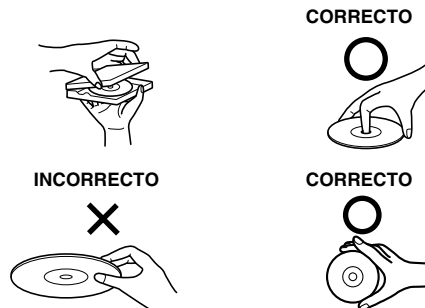
Ubicación de instalación

Asegúrese de que esta unidad no se instala en una ubicación sujeta a:

- La luz solar directa ni el calor
- Elevada humedad y agua
- Polvo excesivo
- Vibraciones excesivas

Manejo correcto

No deje caer los discos mientras los manipule. Sujete los discos de forma que no queden huellas dactilares en su superficie. No pegue cintas, papeles ni etiquetas adhesivas en los discos. No escriba sobre los discos.



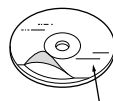
Limpieza de los discos

Las huellas dactilares, el polvo o la suciedad de la superficie de los discos podría hacer que el reproductor saltase las pistas. Para la limpieza habitual, frote la superficie de reproducción con un paño suave y limpio desde el centro hacia los bordes. Si la superficie está muy manchada, humedezca un paño suave y limpio en una solución de detergente neutro y frote el disco.

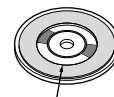


Accesorios para discos

Existen varios accesorios disponibles en el mercado para proteger la superficie de los discos y mejorar la calidad acústica. Sin embargo, la mayoría de accesorios influirán en el grosor y/o el diámetro de dichos discos. La utilización de tales accesorios podría cambiar las especificaciones estándar de los discos y provocar problemas de funcionamiento. No se recomienda utilizar estos accesorios al reproducir discos en reproductores de discos compactos Alpine.



Hoja transparente



Estabilizador del disco

Manejo de discos compactos (CD/CD-R/CD-RW)

- No toque la superficie.
- No exponga el disco a la luz solar directa.
- No pegue etiquetas ni adhesivos.
- Limpie el disco cuando tenga polvo.
- Asegúrese de que no existen abultamientos en los bordes del disco.
- No utilice accesorios para discos disponibles en el mercado.

No deje el disco en el automóvil o en la unidad durante mucho tiempo. No exponga nunca el disco a la luz solar directa. El calor y la humedad pueden dañar el CD y puede que no sea posible reproducirlo de nuevo.

Para clientes que utilizan CD-R/CD-RW

- Si no se puede reproducir un CD-R/CD-RW, asegúrese de que se cerró (finalizó) la última sesión de grabación.
- Finalice el CD-R/CD-RW si es necesario y vuelva a intentar reproducirlo.

Acerca de los soportes que se pueden reproducir

Utilice únicamente discos compactos cuya cara de la etiqueta muestre debajo las marcas del logotipo del CD.



Si utiliza discos compactos sin especificar, no es posible garantizar un funcionamiento correcto.

Puede reproducir discos CD-R (CD-Recordable) y CD-RW (CD-ReWritable) que se hayan grabado únicamente en dispositivos de audio.

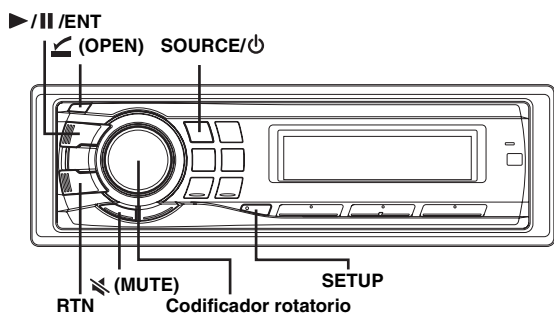
También es posible reproducir discos CD-R/CD-RW que contengan archivos de audio de formato MP3/WMA/AAC.

- Algunos de los siguientes discos pueden no reproducirse en esta unidad:
CD defectuosos, CD con huellas dactilares, CD expuestos a la luz del sol o a temperaturas extremas (por ejemplo, discos que se hayan dejado dentro del coche o dentro de la unidad), CD grabados en condiciones inestables, CD con errores de grabación o en los que se haya intentado regrabar, CD protegidos contra copia que no se ajusten a los estándares de CD audio.
- Utilice discos con archivos MP3/WMA/AAC cuyo formato sea compatible con esta unidad. Para obtener más información, consulte las páginas 10-11.
- Los datos de sólo lectura presentes en un disco que no sean archivos de audio no producirán sonido al ser reproducidos.

-
- *Windows Media* y el logotipo de *Windows* son marcas comerciales o marcas registradas de *Microsoft Corporation* en los Estados Unidos de América y/u otros países.
 - *Apple*, el logotipo de *Apple*, *iPod* e *iTunes* son marcas comerciales de *Apple Computer, Inc.*, registradas en EE. UU. y otros países.

- *“Tecnología de codificación de audio MPEG Layer-3 con licencia de Fraunhofer IIS y Thomson.”*
- *“El suministro de este producto sólo cubre la licencia para uso privado y no comercial, y no implica una licencia ni ningún derecho de uso de este producto en ninguna difusión comercial (es decir, que genere ingresos) en tiempo real (terrestre, por satélite, por cable y/u otros medios), la difusión/reproducción mediante Internet, intranets y/u otras redes o mediante otros sistemas de distribución de contenido electrónico, como aplicaciones de audio de pago o previa petición. Es necesaria una licencia independiente para dicho uso. Si desea obtener más información, visite <http://www.mp3licensing.com>”*

Primeros pasos



Lista de accesorios

- Unidad principal.....1
- Cable de alimentación.....1
- Funda de montaje.....1
- Maletín de transporte.....1
- Llave de soporte.....2
- Tornillo (M5 x 8).....4
- Manual del propietario..... 1 copia

Conexión y desconexión de la alimentación

Pulse **SOURCE/⏻** para encender la unidad.

- Es posible encender la unidad presionando cualquier otro botón, excepto **TITLE** y **◀ (OPEN)**.

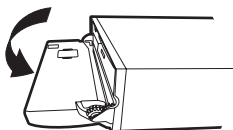
Mantenga pulsado **SOURCE/⏻** durante, al menos, 2 segundos para apagar la unidad.

- La primera vez que se activa la alimentación, el volumen comienza desde el nivel 12.

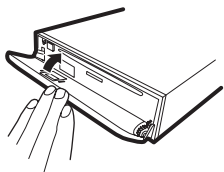
Extracción y fijación del panel frontal

Extracción

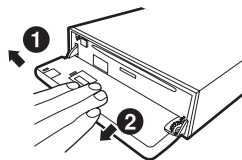
- 1 Desconecte la fuente de alimentación de la unidad.
- 2 Pulse **◀ (OPEN)** para abrir el panel frontal.



Para cerrar el panel frontal, presione la parte izquierda hasta que se bloquee tal y como se muestra en el siguiente dibujo.



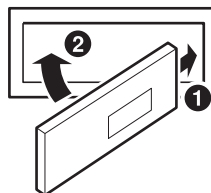
- 3 Sujete el panel frontal firmemente, deslícelo hacia la izquierda **1** y, a continuación, tire de **2** para extraerlo.



- El panel frontal puede que se caliente durante el uso normal (especialmente los terminales del conector del panel frontal). Este comportamiento no es síntoma de un error.
- Para proteger el panel frontal, métalo en la caja de transporte suministrada.
- Cuando extraiga el panel frontal, no lo fuerce, ya que podría provocar un mal funcionamiento.
- No deje el panel frontal abierto ni conduzca con el panel abierto, ya que podría provocar un accidente o un mal funcionamiento.

Fijación

- 1 Inserte la parte derecha del panel frontal en la unidad principal. Alinee la ranura del panel frontal con los salientes de la unidad principal.
- 2 Empuje la parte izquierda del panel frontal hasta que quede firmemente fijada en la unidad principal.

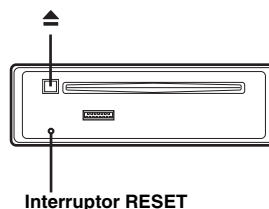


- Antes de fijar el panel frontal, cerciórese de que no haya suciedad ni polvo en los terminales del conector y de que no existan objetos extraños entre el panel frontal y la unidad principal.
- Fije el panel frontal con cuidado, sujetándolo por los lados para evitar pulsar cualquier botón por equivocación.

Puesta en funcionamiento inicial del sistema

Asegúrese de presionar el interruptor RESET cuando utilice la unidad por primera vez, después de cambiar la batería del coche, etc.

- 1 Desconecte la fuente de alimentación de la unidad.
- 2 Pulse **◀ (OPEN)** para abrir el panel frontal y, a continuación, extráigalo.
- 3 Pulse **RESET** con un bolígrafo u otro objeto puntiagudo.



Ajuste del volumen

Gire el **codificador rotatorio** hasta obtener el sonido deseado.

Reducción rápida del volumen

Si activa la función de silenciamiento del audio, el nivel del volumen se reducirá de forma instantánea en 20 dB.

Pulse **MUTE** para activar el modo MUTE.

El nivel del audio se reducirá en unos 20 dB.

Si pulsa **MUTE** de nuevo, el audio volverá a su nivel anterior.

Ajuste de la hora

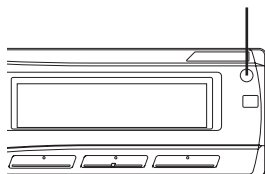
- 1 Pulse **SETUP** para activar el modo SETUP.
- 2 Gire el **codificador rotatorio** para seleccionar el modo **CLOCK ADJUST** y, a continuación, pulse **▶/II/ENT**.
El indicador de la hora parpadeará.
- 3 Gire el **codificador rotatorio** para ajustar la hora mientras el indicador de la hora parpadea.
- 4 Una vez ajustada la hora, pulse **▶/II/ENT**.
- 5 Gire el **codificador rotatorio** para ajustar los minutos mientras el indicador de la hora parpadea.
- 6 Pulse **SETUP** para regresar al modo normal.

- Para sincronizar el reloj con otro reloj o señal horario de la radio, mantenga pulsado **▶/II/ENT** durante, al menos, 2 segundos después de ajustar la "hora". Los minutos se restablecerán a "00". Si la pantalla muestra un número de minutos superior a "30" cuando lo haga, el reloj avanzará una hora.
- Si pulsa **RTN** regresará al modo anterior.
- Si no se realiza ninguna operación en un espacio de 60 segundos, la unidad vuelve al modo normal.

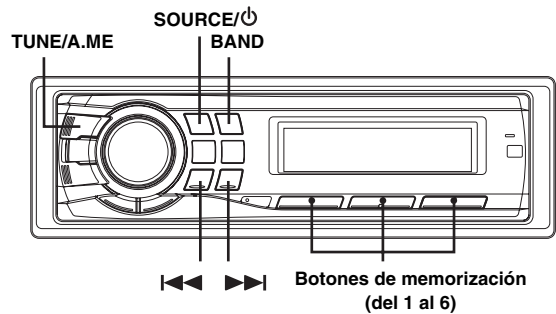
Controlable con mando a distancia

Esta unidad puede controlarse con un mando a distancia opcional de Alpine. Para obtener más información, póngase en contacto con su distribuidor Alpine. Apunte el transmisor del mando a distancia opcional hacia el sensor.

Sensor del mando a distancia



Radio



Funcionamiento de la radio

- 1 Pulse **SOURCE/⏻** para seleccionar el modo **TUNER**.
- 2 Pulse repetidamente **BAND** hasta que se visualice la banda deseada.

F1 (FM1) → F2 (FM2) → AM → F1 (FM1)

- 3 Pulse **TUNE/A.ME** para seleccionar el modo de sintonización.

DX SEEK (modo distancia) → SEEK (modo local) → OFF (modo manual) → DX SEEK

- El modo inicial es modo distancia.

Modo distancia:

Se sintonizarán automáticamente las emisoras de señal intensa y débil (Sintonización con búsqueda automática).

Modo local:

Sólo se sintonizarán automáticamente las emisoras de señal intensa (Sintonización con búsqueda automática).

Modo manual:

La frecuencia se sintoniza de forma manual en varios pasos (Sintonización manual).

- 4 Pulse **◀◀** o **▶▶** para sintonizar la emisora deseada.

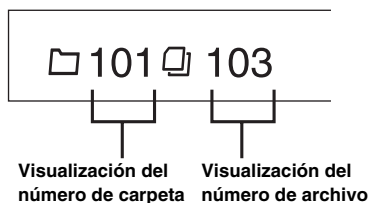
Si mantiene pulsado **◀◀** o **▶▶** la frecuencia cambiará continuamente.

6 Una vez pulsado **⇐ (OPEN)** para abrir el panel frontal, pulse **⇨** para expulsar el disco.

- No extraiga un CD durante el proceso de expulsión. No cargue más de un disco a la vez. Cualquiera de estas operaciones puede provocar un mal funcionamiento.
- Si el CD no se expulsa, mantenga presionado **⇨** durante al menos 2 segundos.
- El indicador "DISC IN" se ilumina al insertar un disco.
- El reproductor de CD puede reproducir discos con datos de audio, MP3, WMA y AAC.
- "MP3" aparece durante la reproducción de MP3.
- "WMA" aparece durante la reproducción de WMA.
- "AAC" aparece durante la reproducción de AAC.
- Los archivos con el formato WMA que están protegidos mediante DRM (Digital Rights Management, función de protección de derechos de propiedad intelectual), los archivos con el formato AAC adquiridos de iTunes Music Store y los archivos con protección contra copias (protección de copyright) no pueden reproducirse en esta unidad.
- El visualizador de pistas en la reproducción de datos MP3/WMA/AAC muestra el número de archivos grabados en el disco.
- El tiempo de reproducción puede no mostrarse correctamente cuando se reproduce un archivo grabado en VBR (velocidad variable de bits).

Visualización de reproducción de MP3/WMA/AAC

El número de carpeta y el de archivo se mostrarán como se describe a continuación.



- Pulse **TITLE** para cambiar la visualización. Consulte "Visualización de texto" (página 14) para obtener información acerca del cambio de visualización.

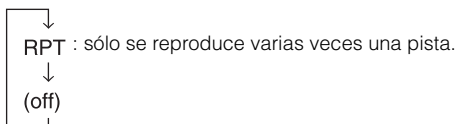
Repetición de reproducción

Pulse **↻ 4** para reproducir de forma repetida la pista que esté reproduciéndose.

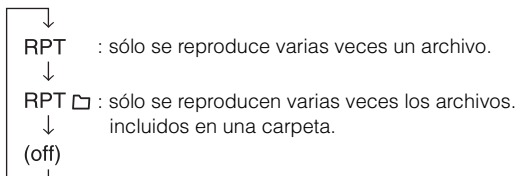
La pista (o el archivo) se reproducirá de forma repetida.

Pulse **↻ 4** de nuevo y seleccione off para desactivar el modo de repetición.

Modo de disco compacto (CD):



Modo MP3/WMA/AAC:



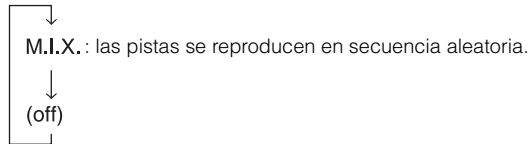
M.I.X. (Reproducción aleatoria)

Pulse **5** **↻** en el modo de reproducción o pausa.

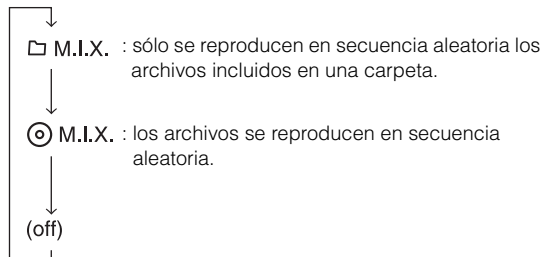
Las pistas (o archivos) del disco se reproducirán en secuencia aleatoria.

Para cancelar la reproducción M.I.X., pulse **5** **↻** de nuevo.

Modo de disco compacto (CD):



Modo MP3/WMA/AAC:



Búsqueda en texto de CD

Las pistas se pueden buscar y reproducir usando el texto de CD en el disco. En el caso de discos que no admitan texto, las búsquedas se pueden realizar usando los números de pista.

1 Pulse **Q/ESC** durante la reproducción.

De esta forma, se activará el modo de búsqueda.

2 Gire el **codificador rotatorio** para seleccionar la pista que desee y, a continuación, pulse **▶/II/ENT**.

Se reproducirá la pista seleccionada.

- Mantenga pulsado **Q/ESC** durante, al menos, 2 segundos en el modo de búsqueda para cancelarlo. El modo de búsqueda también se cancela cuando no se ha realizado ninguna operación durante 10 segundos.
- Cuando se está reproduciendo en modo M.I.X. no se pueden realizar búsquedas de texto de CD.

Búsqueda de nombre de archivo/carpeta (relativo a MP3/WMA/AAC)

Es posible buscar y mostrar nombres de carpeta y de archivo durante la reproducción.

- 1 Durante la preproducción de MP3/WMA/AAC, pulse **Q/ESC** para activar el modo de búsqueda.
- 2 Gire el **codificador rotatorio** para seleccionar el modo de búsqueda de nombre de carpeta o de archivo y, a continuación, pulse **▶/II/ENT**.

Modo de búsqueda de nombres de carpetas

- 3 Gire el **codificador rotatorio** para seleccionar la carpeta que desee.
- 4 Mantenga pulsado **▶/II/ENT** durante, al menos, 2 segundos para reproducir el primer archivo de la carpeta seleccionada.

- Mantenga pulsado **Q/ESC** durante, al menos, 2 segundos en el modo de búsqueda para cancelarlo. El modo de búsqueda también se cancela cuando no se ha realizado ninguna operación durante 10 segundos.
- Para buscar archivos en el modo de búsqueda de nombres de carpetas, pulse **▶/II/ENT**. Podrá buscar archivos en la carpeta.
- Pulse **RTN** para salir del modo de búsqueda de nombres de carpetas en el paso 3 y seleccionar el modo de búsqueda de nombres de archivos.
- La carpeta raíz aparece como "-----".
- Cuando se está reproduciendo en modo M.I.X. no se pueden realizar búsquedas de nombres de carpetas.

Modo de búsqueda de nombres de archivos

- 3 Pulse **◀ o ▶** para seleccionar otra carpeta.
- 4 Seleccione el archivo que desee girando el **codificador rotatorio**.
- 5 Pulse **▶/II/ENT** para reproducir el archivo seleccionado.

- Mantenga pulsado **Q/ESC** durante, al menos, 2 segundos en el modo de búsqueda para cancelarlo. El modo de búsqueda también se cancela cuando no se ha realizado ninguna operación durante 10 segundos.
- Pulse **RTN** en el modo de búsqueda para regresar al modo anterior.
- Cuando se está reproduciendo en modo M.I.X. no se pueden realizar búsquedas de nombres de archivos.

Búsqueda rápida

Es posible buscar pistas (o archivos).

- 1 Mantenga pulsado **Q/ESC** durante, al menos, 2 segundos en el modo CD/MP3/WMA/AAC para activar el modo de búsqueda rápida.
- 2 Gire el **codificador rotatorio** para seleccionar la pista (o archivo) que desee.
Se reproducirá inmediatamente la pista que ha seleccionado.

- Mantenga pulsado **Q/ESC** durante, al menos, 2 segundos en el modo de búsqueda para cancelarlo. El modo de búsqueda también se cancela cuando no se ha realizado ninguna operación durante 10 segundos.

Acerca de MP3/WMA/AAC

PRECAUCIÓN

Excepto para uso personal, la duplicación de datos de audio (incluidos datos MP3/WMA/AAC) o su distribución, transferencia o copia, ya sea de forma gratuita o no, sin el permiso del propietario de copyright están estrictamente prohibidos por las leyes de copyright y por tratados internacionales.

¿Qué es MP3?

MP3, cuyo nombre oficial es "MPEG-1 Audio Layer 3", es un estándar de compresión formulado por ISO (International Standardization Organization) y MPEG, que es una institución adjunta a IEC.

Los archivos MP3 contienen datos de audio comprimidos. La codificación MP3 puede comprimir los datos de audio a relaciones notablemente altas comprimiendo archivos de música a una décima parte de su tamaño original. Esto es posible manteniendo a la vez una calidad similar a la de CD. El formato MP3 permite obtener relaciones de alta compresión eliminando los sonidos que son inaudibles para el oído humano o enmascarados por otros sonidos.

¿Qué es WMA?

WMA o "Windows Media™ Audio" son las siglas para datos de audio comprimidos. El formato WMA es similar a los datos de audio MP3 y puede conseguir la calidad de sonido de un CD en archivos de tamaño reducido.

¿Qué es AAC?

AAC es la forma abreviada de "Advanced Audio Coding," un formato básico de compresión de audio utilizado por MPEG2 o MPEG4.

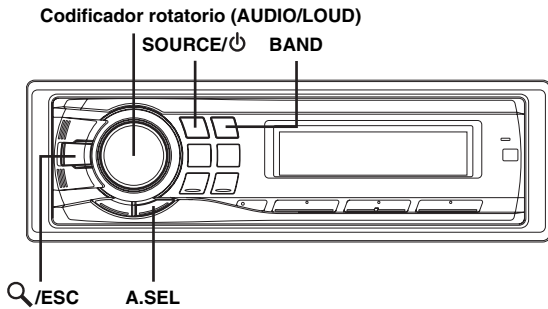
Método de creación de archivos MP3/WMA/AAC

Los datos de audio se comprimen mediante el software con los codecs MP3/WMA/AAC. Para obtener información detallada sobre la creación de archivos MP3/WMA/AAC, consulte el manual del usuario del software.

Los archivos MP3/WMA/AAC que pueden reproducirse en este dispositivo presentan las extensiones "mp3" / "wma" / "m4a." Los archivos sin extensión no podrán reproducirse (Puede utilizarse la versión 7.1, 8 y 9 de archivos WMA). Los archivos protegidos no son compatibles, ni tampoco los archivos AAC originales (con la extensión ".aac").

Existen muchas versiones diferentes del formato AAC. Compruebe que el software utilizado se ajusta a los formatos aceptables enumerados a continuación. Es posible que el formato no pueda reproducirse aunque la extensión sea válida. Se acepta la reproducción de los archivos AAC codificados por la versión 6.0 o anterior de iTunes.

Ajuste de sonido



Ajuste de graves/agudos/balance (entre los altavoces derechos e izquierdos)/Fader (entre los altavoces delanteros y traseros)/Defeat

1 Pulse el **codificador rotatorio (AUDIO)** varias veces para seleccionar el modo deseado.

Cada vez que presione se cambia el modo, como se indica a continuación:

SUBW* → BASS → TREBLE → BALANCE → FADER → DEFEAT → VOLUME → SUBW

Subwoofer: 0 ~ +15
Nivel de graves: -7 ~ +7
Nivel de agudos: -7 ~ +7
Balance: L15 ~ R15
Fader: R15 ~ F15
Defeat: ON/OFF
Volumen: 0 ~ 35

• Si no se realiza ninguna operación dentro de los 5 segundos después de seleccionar el modo SUBW, BASS, TREBLE, BALANCE, FADER o DEFEAT, la unidad volverá automáticamente al modo normal.

* Cuando el modo Subwoofer está ajustado en OFF no es posible ajustar su nivel.

2 Gire el **codificador rotatorio** hasta obtener el sonido deseado en cada modo.

Si ajusta el modo Defeat en ON, la configuración previa del modo BASS y TREBLE volverá a la configuración de fábrica.

Ajuste del control de graves

Puede cambiar el énfasis de la frecuencia de graves para crear el tono que prefiera.

1 Pulse **A.SEL** varias veces para elegir el modo BASS.

BASS → TREBLE → HPF → BASS

Ajuste de la frecuencia central de los graves

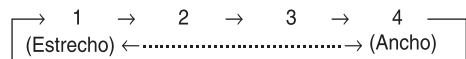
2-1 Pulse **BAND** para seleccionar la frecuencia central de los graves deseada.

80Hz → 100Hz → 200Hz → 60Hz → 80Hz

Potencia los márgenes de frecuencias de graves mostradas.

Ajuste del ancho de banda de graves

2-2 Pulse **SOURCE/⏻** para seleccionar el ancho de banda de graves deseado.



Cambia el ancho de banda de graves a ancho o estrecho. Un ajuste más ancho potenciará una amplia gama de frecuencias superiores e inferiores a la frecuencia central. Un ajuste más estrecho potenciará sólo las frecuencias cercanas a la frecuencia central.

Ajuste del nivel de graves

2-3*1 Gire el **codificador rotatorio** para seleccionar el nivel de graves que desee (-7~+7).

Puede potenciar o reducir el nivel de los graves.

3 Si mantiene pulsado **Q/ESC** durante, al menos, 2 segundos volverá al modo normal.

- Si no se realiza ninguna operación en un espacio de 15 segundos, la unidad vuelve al modo normal.
- Los ajustes del nivel de graves se memorizarán individualmente para cada fuente (FM, AM, CD, etc.) hasta que se cambie el ajuste. Una vez ajustados los valores de la frecuencia de graves y el ancho de banda de graves para una fuente, éstos se utilizarán para todas las demás fuentes (FM, AM, CD, etc.).
- Esta función no puede utilizarse cuando DEFEAT está ajustado en ON.

*¹ El ajuste también se puede realizar pulsando el **codificador rotatorio**. Consulte "Ajuste de graves/agudos/balance (entre los altavoces derechos e izquierdos)/Fader (entre los altavoces delanteros y traseros)/Defeat" (página 12).

Ajuste del control de agudos

Puede cambiar el énfasis de la frecuencia de agudos para crear el tono que prefiera.

1 Pulse **A.SEL** varias veces para elegir el modo **TREBLE**.

BASS → TREBLE → HPF → BASS

Ajuste de la frecuencia central de los agudos

2-1 Pulse **BAND** para seleccionar la frecuencia central de los agudos deseada.

10,0 kHz → 12,5 kHz → 15,0 kHz → 17,5 kHz → 10,0 kHz

Potencia los márgenes de frecuencias de agudos mostradas.

Ajuste del nivel de los agudos

2-2*2 Gire el **codificador rotatorio** para seleccionar el nivel de agudos que desee (-7~+7).

Puede potenciar el nivel de los agudos.

3 Si mantiene pulsado **Q/ESC** durante, al menos, 2 segundos volverá al modo normal.

- Si no se realiza ninguna operación en un espacio de 15 segundos, la unidad vuelve al modo normal.
- Los ajustes del nivel de agudos se memorizarán individualmente para cada fuente (FM, AM, CD, etc.) hasta que se cambie el ajuste. Una vez ajustados los valores de la frecuencia de agudos para una fuente, éstos se utilizarán para todas las demás fuentes (FM, AM, CD, etc.).
- Esta función no puede utilizarse cuando DEFEAT está ajustado en ON.

*2 El ajuste también se puede realizar pulsando el **codificador rotatorio**. Consulte "Ajuste de graves/agudos/balance (entre los altavoces derechos e izquierdos)/Fader (entre los altavoces delanteros y traseros)/Defeat" (página 12).

Ajuste del filtro de paso alto

El filtro de paso alto de esta unidad puede ajustarse según sus preferencias.

1 Pulse **A.SEL** varias veces para elegir el modo **HPF**.

BASS → TREBLE → HPF → BASS

2 Gire el **codificador rotatorio** para seleccionar la frecuencia de HPF que desee.

OFF ↔ 80 Hz ↔ 120 Hz ↔ 160 Hz

Entre los resultados se incluirán todas las frecuencias por encima del límite seleccionado.

3 Si mantiene pulsado **Q/ESC** durante, al menos, 2 segundos volverá al modo normal.

- Si no se realiza ninguna operación en un espacio de 15 segundos, la unidad vuelve al modo normal.
- La efectividad de los agudos y los graves en la modificación del sonido depende de los ajustes y de si se ha configurado el HPF.

- Esta función no puede utilizarse cuando DEFEAT está ajustado en ON.

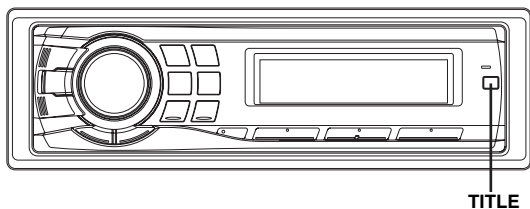
Activación/desactivación del efecto de sonoridad

La sonoridad introduce una acentuación especial de bajas y altas frecuencias a bajos niveles de escucha. Esto compensa la sensibilidad reducida del oído humano al sonido de graves y agudos.

Para activar o desactivar el modo de sonoridad, mantenga pulsado el codificador rotatorio (LOUD) durante, al menos, 2 segundos.

- Esta función no puede utilizarse cuando DEFEAT está ajustado en ON.

Otras funciones



Visualización de texto

La información de texto, como el título de discos y canciones, aparecerá al reproducir discos compactos compatibles con texto. También es posible mostrar el nombre de la carpeta, del archivo y la etiqueta, etc. mientras se reproducen archivos MP3/WMA/AAC.

Pulse **TITLE**.

El visualizador cambiará cada vez que presione el botón.

- Si desea cambiar el visualizador cuando Text Scroll esté configurado en MANU, pulse **TITLE** mientras el texto se desplaza. Si el desplazamiento se ha completado, pulse **TITLE** para desplazar de nuevo el texto.

Visualizador en modo Radio:

FRECUENCIA → RELOJ → FRECUENCIA

Visualizador en modo de CD:

NÚM. PISTA/TIEMPO TRANSCURRIDO → NÚM. PISTA/RELOJ → TEXTO (NOMBRE DISCO)*¹ → TEXTO (NOMBRE PISTA)*¹ → NÚM. PISTA/TIEMPO TRANSCURRIDO

Visualizador en modo MP3/WMA/AAC:

NÚM. ARCH./TIEMPO TRANSCURRIDO → NÚM. CARPETA/NÚM. ARCH. → NÚM. ARCH./RELOJ → NOMBRE CARPETA → NOMBRE ARCH. → NOMBRE ARTISTA*² → NOMBRE ÁLBUM*² → NOMBRE CANCIÓN*² → NÚM. ARCHI./TIEMPO TRANSCURRIDO

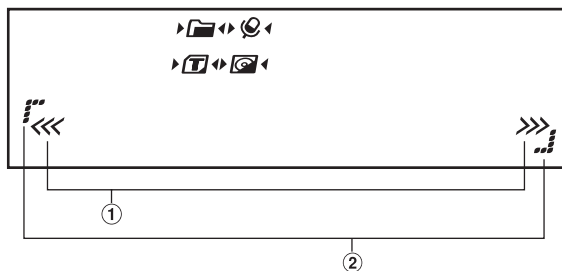
*¹ Se muestra durante la reproducción de un disco con texto CD.

*² Etiqueta ID3/etiqueta WMA

Si un archivo MP3/WMA/AAC contiene información de etiqueta ID3 o de etiqueta WMA, se mostrará toda la información de dichas etiquetas (por ejemplo, el nombre de canción, de artista o de álbum). Los demás datos de la etiqueta se obviarán.

Acerca del visualizador

Cuando aparezca el texto, se iluminarán los indicadores siguientes en función del modo.



- ① Parpadea en el modo de búsqueda cuando el **codificador rotatorio** está activado. También parpadea cuando se realiza una operación, como el avance rápido, etc.
- ② Se ilumina en modo SETUP.

Indicador/ Modo	Modo CD	Modo MP3/ WMA/AAC	Modo iPod
	—	Nombre de carpeta* ² mostrado	—
	—	Nombre de artista* ¹ mostrado	Nombre de artista* ¹ mostrado
	Texto (nombre de disco* ³) mostrado	Nombre de álbum* ¹ mostrado	Nombre de álbum* ¹ mostrado
	Texto (nombre de pista* ³) mostrado	Nombre de canción* ¹ / Nombre de archivo mostrado	Nombre de canción* ¹ mostrado

*¹ Información de etiqueta

Si no existe información de etiqueta, aparece "ARTIST"/"ALBUM"/"SONG".

*² La carpeta raíz aparece como "FOLDER".

*³ Si no existe texto (Nombre de disco o de pista), aparece "DISC TEXT"/"TRACK TEXT".

Acerca de "Text"

Texto:

Los CD compatibles con texto contienen texto informativo como el nombre del disco y el nombre de las pistas. Este texto informativo se denomina "texto".

- Dependiendo del tipo de caracteres, algunos caracteres podrán no visualizarse correctamente con este aparato.
- El mensaje "NO SUPPORT" aparecerá si la información de texto deseada no se puede mostrar en la unidad.
- La información de texto o de etiqueta puede que no se visualice correctamente, en función del contenido.

Visualización de la hora

Pulse **TITLE** varias veces hasta que aparezca la hora.

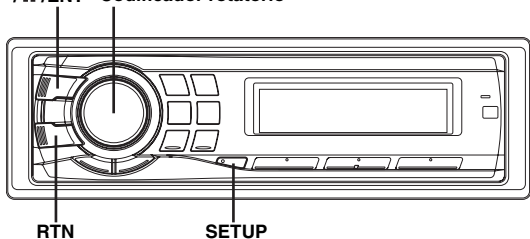
Cada vez que pulse el botón, la pantalla cambiará. Para obtener más información, consulte "Visualización de texto" (página 14).

- Si selecciona cualquier función del sintonizador o del CD mientras se encuentra en modo de prioridad del reloj, la visualización de la hora se interrumpirá momentáneamente. La función seleccionada se mostrará durante unos 5 segundos antes de que vuelva a aparecer la visualización de la hora.
- Cuando la alimentación esté desconectada pero la llave de contacto esté en la posición ON, pulse **TITLE** para ver o desactivar la hora.

SETUP

Puede personalizar con flexibilidad la unidad para que se ajuste a sus propias preferencias de utilización. Desde el menú SETUP es posible ajustar las preferencias de sonido, visuales, etc.

▶/||/ENT Codificador rotatorio



Siga los pasos de 1 a 4 para seleccionar uno de los modos de SETUP que desee modificar. Consulte la sección correspondiente a continuación si desea más información sobre el elemento de SETUP seleccionado.

1 Pulse **SETUP** para activar el modo SETUP.

2 Gire el **codificador rotatorio** para seleccionar el menú **SETUP** que desee y, a continuación, pulse **▶/||/ENT**.

(por ejemplo, seleccione SUBWOOFER)

CLOCK ADJUST*¹ ↔ LCD CONTRAST ↔ DIMMER
↔ SUBWOOFER ↔ (SUBW. SYSTEM) *² ↔
PLAY MODE ↔ SCROLL TYPE ↔ TEXT SCROLL ↔
POWER IC ↔ LANGUAGE ↔ DEMO ↔ CLOCK ADJUST

*¹ Consulte "Ajuste de la hora" (página 7).

*² Sólo se muestra si SUBW está ajustado en ON.

3 Gire el **codificador rotatorio** para cambiar la configuración.

(por ejemplo, seleccione SUBW. ON o SUBW. OFF.)

4 Pulse **SETUP** para regresar al modo normal.

- Pulse **RTN** para regresar al modo anterior.
- Si no se realiza ninguna operación en un espacio de 60 segundos, la unidad vuelve al modo normal.

Preferencias de sonido

Activación y desactivación del subwoofer

SUBW. ON (ajuste inicial) / SUBW. OFF

Cuando el subwoofer está activado, lleve a cabo los pasos que se muestran más adelante para ajustar el nivel de salida del subwoofer.

- 1 En modo normal, pulse el **codificador rotatorio** varias veces para seleccionar el modo SUBW.

SUBW → BASS → TREBLE → BALANCE → FADER →
DEFEAT → VOLUME → SUBW

- 2 Ajuste el nivel girando el **codificador rotatorio**.

Ajuste del sistema de subwoofer

SUBW. SYS 1 (ajuste inicial) / SUBW. SYS 2

Seleccione SYS 1 o SYS 2 para obtener el efecto subwoofer deseado.

SUBW. SYS 1: El efecto de subwoofer depende del ajuste principal de volumen.

SUBW. SYS 2: El efecto de subwoofer es independiente del ajuste principal de volumen. Por ejemplo, incluso si el volumen está bajo, el subwoofer seguirá funcionando.

Preferencias visuales

Control de atenuación

DIMMER AUTO (ajuste inicial) / DIMMER MANU

Establezca el control DIMMER en AUTO para atenuar el brillo de la unidad con las luces del coche encendidas. Este modo resulta útil si cree que, tras ajustar el nivel de oscurecimiento de la unidad, aún brilla demasiado por la noche.

Ajuste de tipo de desplazamiento

SCROLL TYPE1 / SCROLL TYPE2 (ajuste inicial)

Es posible seleccionar entre dos métodos de desplazamiento.

Seleccione el tipo de desplazamiento que prefiera.

SCROLL TYPE1: Los caracteres se desplazan de derecha a izquierda, uno por uno.

SCROLL TYPE2: Las palabras se escriben de izquierda a derecha, de carácter en carácter. Cuando la pantalla está llena, se borra y el resto de palabras aparecen del mismo modo hasta que se hayan mostrado todas las palabras del título.

Ajuste del desplazamiento (TEXT SCROLL)

SCROLL AUTO / SCROLL MANU (ajuste inicial)

El reproductor de CD puede desplazarse por el disco y los nombres de pista grabados en discos CD-TEXT, así como por la información de texto de los archivos, nombres de carpetas y etiquetas MP3/WMA/AAC.

SCROLL AUTO: La información de texto del CD, de los nombres de carpetas y archivos y de las etiquetas se desplaza automáticamente.

SCROLL MANU: El visualizador se desplaza cuando se carga un disco, cuando cambia una pista, etc.

- La unidad desplaza los nombres del texto del CD, los nombres de las carpetas, archivos y etiquetas.

Ajuste de fuentes de idioma

LANGUAGE 1 (ajuste inicial) / LANGUAGE 2

Es posible seleccionar dos tipos de fuentes.

- LANGUAGE 1: fuente normal
LANGUAGE 2: fuente europea

Ajuste del contraste de la pantalla

CONTRASTE

Puede ajustar el contraste de la pantalla para mejorar la visibilidad.

Puede ajustarlo en un rango de entre -5 y +3.

- El ajuste inicial de fábrica es "0."

Demostración

DEMO ON / DEMO OFF (ajuste inicial)

Esta unidad cuenta con una función de demostración que incluye visualización.

- Para salir del modo Demo, ajústelo en DEMO OFF.

MP3/WMA/AAC

Reproducción de datos MP3/WMA/AAC (Play Mode)

CD-DA (ajuste inicial) / CD-DA&MP3

Esta unidad puede reproducir CD que contengan datos tanto de CD como de MP3/WMA/AAC (creados en el formato Enhanced CD o CD Extra). Sin embargo, en algunos casos la reproducción de un CD en formato Enhanced CD puede resultar complicada. Para estos casos, puede seleccionar la reproducción de una sola sesión de datos de CD. Si un disco contiene datos de CD y MP3/WMA/AAC, la reproducción comenzará por la parte de datos de CD del disco.

- CD-DA: Sólo es posible reproducir los datos de CD de la sesión 1.
CD-DA&MP3: Pueden reproducirse datos de CD, archivos MP3/WMA/AAC en modo mixto y discos multisesión.

- Realice este ajuste antes de insertar un disco. Si ya hay un disco insertado, quítelo primero.

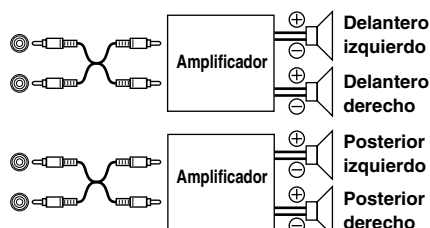
Dispositivo externo

Conexión a un amplificador externo

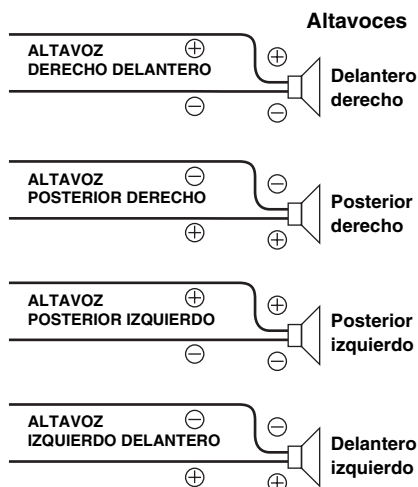
POWER IC ON (ajuste inicial) / POWER IC OFF

Al conectar un amplificador externo, la calidad del sonido mejora al desactivarse la fuente de alimentación del amplificador incorporado.

POWER IC OFF: Utilice este modo cuando la salida de esta unidad se utilice para conectar un amplificador externo. Con este ajuste, el amplificador interno principal de la unidad se apagará y no podrá accionar los altavoces.

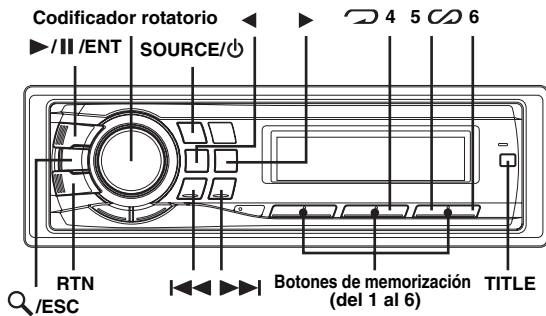


POWER IC ON: Los altavoces reciben la señal desde el amplificador incorporado.



- Cuando la salida está establecida en OFF, el sistema no produce ni reproduce ningún sonido.

iPod® (opcional)



Mediante el cable de conexión ALPINE FULL SPEED™ (KCE-422i) (vendido por separado) exclusivo, puede conectar un iPod® a esta unidad. Si la unidad está conectada mediante el cable, los controles del iPod no están operativos.

iPod que pueden utilizarse con esta unidad

- Puede utilizar la unidad con un iPod, iPod photo, iPod minis o iPod nano de cuarta generación y superior. Sin embargo, no puede utilizar iPod Shuffle.
- Los iPod de rueda táctil o de rueda de desplazamiento sin el conector de acople no se pueden conectar a la unidad.
- La unidad se puede utilizar con las siguientes versiones de iPod. No se garantiza el correcto funcionamiento de versiones anteriores.

iPod de cuarta generación: versión 3.1.1
iPod de tercera generación: versión 1.1.2
iPod photo: versión 1.2.1
iPod mini: versión 1.4.1
iPod nano: versión 1.2

- La unidad no se puede utilizar con versiones de software anteriores a "2006-06-28". Para obtener información detallada acerca de la "Actualización del software de iPod", consulte el manual de instrucciones de iPod.

Reproducción

1 Pulse **SOURCE/⏻** para cambiar al modo iPod.

2 Pulse **◀◀** o **▶▶** para seleccionar la canción deseada.

Para volver al principio de la canción actual:

Pulse **◀◀**.

Retroseso rápido de la canción actual:

Mantenga pulsado **◀◀**.

Para avanzar al principio de la siguiente canción:

Pulse **▶▶**.

Avance rápido de la canción actual:

Mantenga pulsado **▶▶**.

3 Para hacer una pausa en la reproducción, pulse **▶/II/ENT**.

Si vuelve a pulsar **▶/II/ENT** volverá a activarse la reproducción.

- Si se reproducía una canción en el iPod mientras estaba conectado a la unidad, continuará reproduciéndose a partir del punto en que se interrumpió al desconectarse.

Búsqueda de la canción deseada

Un iPod puede contener cientos de canciones. Mediante el uso de información de etiqueta y la organización de las canciones en listas de reproducción, la función de búsqueda de la unidad puede buscar las canciones fácilmente.

Cada categoría musical tiene su propia jerarquía individual. Utilice el modo de búsqueda Lista de reproducción/Artista/Álbum/Canción/Podcast/Género/Compositor para restringir las búsquedas, según la tabla siguiente.

Jerarquía 1	Jerarquía 2	Jerarquía 3	Jerarquía 4
Lista de reproducción	Canción	—	—
Artista*	Álbum*	Canción	—
Álbum*	Canción	—	—
Canción	—	—	—
Podcast	Episodio	—	—
Género*	Artista*	Álbum*	Canción
Compositor*	Álbum*	Canción	—

Por ejemplo: búsqueda por nombre de artista

El ejemplo siguiente muestra cómo se realiza una búsqueda por ARTIST. Puede utilizarse otro modo de búsqueda para la misma operación, aunque la jerarquía será diferente.

1 Pulse **</ESC** para activar el modo de selección de búsqueda.

2 Gire el **codificador rotatorio** para seleccionar el modo de búsqueda por **ARTIST** y, a continuación, pulse **▶/II/ENT**.

PLAYLIST ↔ ARTIST ↔ ALBUM ↔ SONG ↔ PODCAST
↔ GENRE ↔ COMPOSER ↔ PLAYLIST

3 Gire el **codificador rotatorio** para seleccionar el artista que desee y, a continuación, pulse **▶/II/ENT**.

4 Gire el **codificador rotatorio** para seleccionar el álbum que desee y, a continuación, pulse **▶/II/ENT**.

5 Gire el codificador rotatorio para seleccionar la canción que desee y, a continuación, pulse ►/II/ENT.

- Tras mantener pulsado ►/II/ENT por lo menos 2 segundos en cada jerarquía (salvo en CANCIÓN), todas las canciones de la jerarquía seleccionada se reproducirán.
- Tras seleccionar [ALL] en el modo de búsqueda con “*”, mantenga pulsado ►/II/ENT por lo menos 2 segundos para reproducir todas las canciones en el iPod o el modo de búsqueda seleccionado.
- En el modo de búsqueda, si mantiene pulsado Q/ESC durante, al menos, 2 segundos o no se realiza ninguna operación durante 10 segundos, el modo de búsqueda se cancela.
- Si pulsa RTN en modo de búsqueda, volverá al modo anterior.
- Durante la reproducción en modo M.I.X. no se pueden realizar búsquedas.
- “NO SONG” aparecerá si no existen canciones en la lista de reproducción seleccionada en el modo de búsqueda PLAYLIST.
- “NO PODCAST” aparecerá si no existen datos de podcast en el iPod en el modo de búsqueda PODCAST.
- Si se ha seleccionado “el nombre de iPod” almacenado en el iPod en el modo de búsqueda por lista de reproducción deseado y si se pulsa ►/II/ENT, podrá buscar todas las canciones del iPod. Además, si mantiene pulsado ►/II/ENT durante por lo menos 2 segundos, se reproducen todas las canciones del iPod.
- En función del iPod, la búsqueda por podcast no es compatible.
- Si se pulsa algún botón de memorización (del 1 al 6) en el modo de búsqueda, puede realizarse una búsqueda rápidamente saltando hasta la ubicación especificada. Para más información, consulte “Función de búsqueda directa” en la página 18.

Búsqueda rápida

Puede buscar una canción entre todas las canciones del iPod sin seleccionar ningún álbum, artista, etc.

1 Mantenga pulsado Q/ESC durante, al menos, 2 segundos para activar el modo de búsqueda rápida.

2 Gire el codificador rotatorio para seleccionar la canción que desee.

Se reproducirá inmediatamente la canción que ha seleccionado.

- Mantenga pulsado Q/ESC durante, al menos, 2 segundos en el modo de búsqueda para cancelarlo. El modo de búsqueda también se cancela cuando no se ha realizado ninguna operación durante 10 segundos.
- Si el iPod contiene muchas canciones, tardará algún tiempo en buscarlas.
- Si se pulsa algún botón de memorización (del 1 al 6) en el modo de búsqueda, puede realizarse una búsqueda rápidamente saltando hasta la ubicación especificada. Para más información, consulte “Función de búsqueda directa” en página 18.

Función de búsqueda directa

Puede utilizar la función de búsqueda directa de la unidad para buscar álbumes, canciones, etc. de forma más eficaz. En el modo Lista de reproducción/Artista/Álbum/Podcast/Género/Compositor, encontrará cualquier canción rápidamente.

En el modo de búsqueda, pulse cualquier botón de memorización (del 1 al 6) para saltar rápidamente un porcentaje designado del contenido de la canción.

Ejemplo de búsqueda en modo Song:

Si el iPod contiene 100 canciones, estarán divididas en 6 grupos mediante porcentajes (que se muestran a continuación). Estos grupos se asignan a los botones de memorización (del 1 al 6).

Ejemplo 1:

Supongamos que la canción que busca está ubicada hacia la mitad (50%) de la biblioteca: pulse el botón 4 para saltar hasta la canción 50 y gire el codificador rotatorio para encontrar la canción que desee.

Ejemplo 2:

Supongamos que la canción que busca está ubicada hacia el final (83%) de la biblioteca: pulse el botón 6 para saltar hasta la canción 83 y gire el codificador rotatorio para encontrar la canción que desee.

	Las 100 canciones (100%)					
	0%	17%	33%	50%	67%	83%
Botones de memorización	1	2	3	4	5	6
Canciones	Primera canción	17a canción	33a canción	50a canción	67a canción	83a canción

Selección de Lista de reproducción/Artista/Álbum/Podcast/Género/Compositor

Se puede cambiar de un modo fácil la Lista de reproducción/Artista/Álbum/Podcast/Género/Compositor.

Por ejemplo, si escucha una canción de un álbum seleccionado, el álbum se puede cambiar.

Pulse ◀ o ▶ para seleccionar la Lista de reproducción/Artista/Álbum/Podcast/Género/Compositor que desee.

- Si se ha utilizado el modo de búsqueda de canciones para seleccionar una canción, esta función no estará activa.
- Si se ha seleccionado un álbum durante la búsqueda de un artista, también pueden buscarse otros álbumes del mismo artista.
- Esta función no estará activa durante la reproducción aleatoria (M.I.X.).

Reproducción aleatoria (M.I.X.)

La función aleatoria del iPod aparece como M.I.X. en esta unidad.

Reproducir álbumes de forma aleatoria:



Las canciones de cada álbum se reproducen en el orden correcto. Al finalizar todas las canciones de un álbum, se selecciona el siguiente álbum de forma aleatoria. El mismo proceso continúa hasta que se han reproducido todos los álbumes.

Reproducir canciones de forma aleatoria:

La reproducción aleatoria de canciones reproduce las canciones de una categoría seleccionada (lista de reproducción, álbum, etc.). Las canciones de dicha categoría se reproducen sólo una vez hasta que todas las canciones se hayan reproducido.

1 Pulse 5 .

Las canciones se reproducen en secuencia aleatoria.

 M.I.X. → M.I.X. → (off) →  M.I.X.
(Reproducir álbumes de forma aleatoria) (Reproducir canciones de forma aleatoria)

2 Para cancelar la reproducción M.I.X., seleccione (off) con el mismo procedimiento que se describió antes.

- Si se ha seleccionado una canción en el modo de búsqueda por álbum antes de seleccionar la reproducción M.I.X., las canciones no se reproducirán de forma aleatoria aunque se haya seleccionado Reproducir álbum en forma aleatoria.

Reproducir todo de forma aleatoria:

La reproducción de todo de forma aleatoria reproduce todas las canciones del iPod de forma aleatoria. Las canciones no se vuelven a reproducir hasta que todas se han reproducido.

1 Pulse 6.

Las canciones se reproducen en secuencia aleatoria.

M.I.X. → (off) → M.I.X.
(Reproducir todo de forma aleatoria)

2 Para cancelar la reproducción M.I.X., seleccione (off) con el mismo procedimiento que se describió antes.

- Si Shuffle ALL está seleccionado, se cancelan las canciones seleccionadas que se reprodujeron en el modo de búsqueda.

Repetición de reproducción

Sólo está disponible la opción de repetición única para el iPod.

Repetición única:

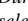
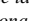
Una sola canción se reproduce de forma repetida.

1 Pulse 4.

Se reproducirá repetidamente la canción.

RPT → (off) → RPT
(Repetición única)

2 Para cancelar el modo de repetición, seleccione (off) con el mismo procedimiento que se describió antes.

- Durante la reproducción en modo de repetición, no se podrán seleccionar más canciones pulsando  .

Visualización de texto

Puede visualizar la información de la etiqueta de una canción en el reproductor iPod.

Pulse TITLE.

Cada vez que pulse el botón, la pantalla cambiará.

- Si desea cambiar el visualizador cuando Text Scroll esté configurado en MANU, pulse TITLE mientras el texto se desplaza. Si el desplazamiento se ha completado, pulse TITLE para desplazar de nuevo el texto.

NÚM. PISTA./TIEMPO TRANSCURRIDO →
NÚM. PISTA/RELOJ → NOMBRE ARTISTA* →
NOMBRE ÁLBUM* → TÍTULO CANCIÓN* →
NÚM. PISTA/TIEMPO TRANSCURRIDO

* Información de etiquetas

Aparece "ARTIST"/"ALBUM"/"SONG" si no hay información de etiqueta disponible.

- Sólo se pueden mostrar caracteres alfanuméricos (ASCII).
- Si el nombre del artista, álbum o canción creados en iTunes tiene demasiados caracteres, es posible que no se reproduzcan las canciones cuando estén conectadas al adaptador. Por tanto, se recomienda un máximo de 250 caracteres. El número máximo de caracteres de la unidad principal es 64 (64 bytes).
- Es posible que algunos caracteres no se visualicen correctamente.
- Aparece "NO SUPPORT" cuando la información del texto no sea compatible con esta unidad.

Información

En caso de dificultad

Si surge algún problema, apague la unidad y vuelva a encenderla. Si la unidad sigue sin funcionar correctamente, compruebe los puntos que aparecen en la lista siguiente. Esta guía le ayudará a aislar el problema si la unidad no funciona. Si el problema persiste, compruebe si el resto de su sistema está adecuadamente conectado o consulte a un proveedor autorizado por Alpine.

Cuestiones básicas

En la pantalla no aparece ningún elemento o función.

- La llave de encendido del automóvil está en OFF.
 - Si ha realizado las conexiones de acuerdo con las instrucciones, la unidad no funcionará con la llave de encendido en OFF.
- Las conexiones del conductor de alimentación (rojo) y el conductor de batería (amarillo) no son adecuadas.
 - Compruebe las conexiones del conductor de alimentación y el conductor de batería.
- Fusible quemado.
 - Compruebe el fusible de la unidad. Si fuera necesario, cámbielo por otro del valor apropiado.
- El microordenador interno funciona mal a causa de interferencias, ruido, etc.
 - Presione el interruptor RESET con un bolígrafo u otro objeto puntiagudo.

Radio

No se recibe ninguna emisora.

- La antena no está conectada o el cable está desconectado.
 - Asegúrese de que la antena está correctamente conectada; cambie la antena o el cable si es necesario.

No se pueden sintonizar emisoras en el modo de búsqueda.

- Se encuentra en un área de recepción débil.
 - Compruebe si el sintonizador está en el modo DX.
- Si se encuentra en una zona de señal intensa, es posible que la antena no esté puesta a tierra o conectada adecuadamente.
 - Compruebe las conexiones de la antena, si está bien conectada a tierra y si la ubicación de montaje es correcta.
- Es posible que la longitud de la antena no sea adecuada.
 - Compruebe si la antena está completamente desplegada. Si está rota, reemplácela por otra nueva.

La emisión es ruidosa.

- Es posible que la longitud de la antena no sea adecuada.
 - Extienda completamente la antena. Si está rota, reemplácela por otra.
- La antena está mal conectada a tierra.
 - Compruebe si la antena está bien conectada a tierra y si la ubicación de montaje es correcta.

CD

El reproductor de CD no funciona.

- Se encuentra por encima del rango de temperatura para CD, de +50 °C.
 - Deje que se enfríe la temperatura en el interior (o en el maletero) del vehículo.

El sonido de reproducción de un CD oscila.

- Condensación de humedad en el módulo de CD.
 - Espere el tiempo necesario para que se evapore la humedad (aproximadamente 1 hora).

No es posible insertar CD.

- Ya hay un CD en el reproductor de CD.
 - Expulse el CD y retírelo.
- El CD no está correctamente insertado.
 - Asegúrese de insertar el CD de acuerdo con las instrucciones de la sección Funcionamiento del reproductor de CD.

El CD no avanza ni retrocede.

- El CD está dañado.
 - Extraiga el CD y tírelo. La utilización de un CD dañado en la unidad podría averiar el mecanismo.

El sonido salta debido a las vibraciones.

- Montaje inadecuado de la unidad.
 - Vuelva a montar la unidad firmemente.
- El disco está muy sucio.
 - Limpie el disco.
- El disco está rayado.
 - Cambie el disco.
- La lente del transductor está sucia.
 - No utilice cualquier disco limpiador de lentes disponible en el mercado. Consulte con su distribuidor de Alpine más cercano.

El sonido salta sin haber vibraciones.

- El disco está sucio o rayado.
 - Limpie el disco. Los discos dañados deberán reemplazarse.

Aparece Error (sólo reproductor de CD integrado).

- Error mecánico
 - Pulse . Una vez que desaparezca la indicación de error, introduzca de nuevo el disco. Si el problema no desaparece mediante la solución mencionada, consulte con el proveedor Alpine más próximo.

No es posible reproducir el CD-R/CD-RW.

- No se ha realizado la sesión de cierre (finalización).
 - Finalice el disco y vuelva a intentar reproducirlo.

MP3/WMA/AAC

Los archivos MP3, WMA o AAC no se reproducen.

- Se ha producido un error de escritura. El formato de CD no es compatible.
 - Compruebe que el CD se ha grabado en un formato compatible. Consulte "Acerca de MP3/WMA/AAC" (páginas 10-11) y vuelva a grabar en el formato compatible con este dispositivo.

Audio

No sale el sonido por los altavoces.

- La unidad no recibe señal del amplificador interno.
 - POWER IC está en "ON" (página 16).

iPod

El iPod no puede reproducir y no emite ningún sonido.

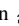
- El iPod no se ha reconocido.
 - Reinicie esta unidad y el iPod. Consulte "Puesta en funcionamiento inicial del sistema" (página 6). Para reiniciar el iPod, consulte el Manual del propietario del iPod.

Indicaciones para el reproductor de CD


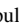
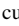

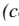
HIGH-TEMP

- Se ha activado el circuito protector debido a la alta temperatura.
 - El indicador desaparecerá cuando la temperatura vuelva al rango de funcionamiento normal.

NO DISC

- No se ha insertado ningún CD.
 - Inserte un CD.
- Aunque hay un disco introducido, aparece la indicación "NO DISC" y la unidad no reproduce ni expulsa el disco.
 - Extraiga el disco siguiendo estos pasos:
 - Presione el botón  y manténgalo presionado durante, al menos, 2 segundos.
 - Si el disco no se expulsa, consulte a un distribuidor de Alpine.

ERROR

- Error del mecanismo.
 - 1) Presione el botón  y expulse el CD.
 - Si el disco no sale, consulte a su distribuidor Alpine.
 - 2) Si la indicación de error no desaparece después de expulsar el CD, vuelva a pulsar el botón .
 - Si la indicación de error no desaparece después de pulsar el botón  unas cuantas veces, consulte a su distribuidor Alpine.
- Cuando aparece "ERROR":
 - Si no se puede expulsar el disco presionado el botón , presione el interruptor RESET (consulte página 6) y presione el botón  de nuevo.
 - Si el disco no se expulsa, consulte a un distribuidor de Alpine.

PROTECT

- Se ha reproducido un archivo WMA con protección contra copias.
 - Sólo es posible reproducir archivos sin protección contra copias.

UNSUPPORTED

- Se utiliza un índice de muestreo/velocidad de bits no compatible con la unidad.
 - Utilice un índice de muestreo/velocidad de bits compatible con la unidad.

Indicación para el modo iPod

NO iPod

- El iPod no está conectado.
 - Verifique que el reproductor iPod esté debidamente conectado (consulte "Conexiones").
 - Compruebe que el cable no esté doblado en exceso.

NO SONG

- El reproductor iPod no contiene ninguna canción.
 - Descargue canciones en el reproductor iPod y conéctelo a la unidad.

NO PODCAST

- No hay datos de podcast en el iPod.
 - Descargue datos de podcast en el iPod y conéctelo a la unidad.

ERROR-01

- Error de comunicación
 - Apague la llave de contacto y ajuste la unidad en ON de nuevo.
 - Compruebe la pantalla volviendo a conectar el reproductor iPod y la unidad mediante el cable de iPod.

ERROR-02

- Se debe a que la versión de software del iPod no es compatible con la unidad.
 - Actualice la versión de software del iPod a una compatible con la unidad.

Especificaciones

SECCIÓN DEL SINTONIZADOR FM

Rango de sintonía	87,7-107,9 MHz
Sensibilidad útil en modo monoaural	9,3 dBf (0,8 μ V/75 ohmios)
Sensibilidad de silenciamiento de 50 dB	13,5 dBf (1,3 μ V/75 ohmios)
Selectividad de canal alternativo	80 dB
Relación de señal de ruido	65 dB
Separación estéreo	35 dB
Relación de captura	2,0 dB

SECCIÓN DE SINTONIZACIÓN DE AM

Rango de sintonía	530-1.710 kHz
Sensibilidad (Norma IEC)	22,5 μ V/27 dB

SECCIÓN DEL REPRODUCTOR DE CD

Respuesta de frecuencia	5-20.000 Hz (\pm 1 dB)
Fluctuación y trémolo (% WRMS)	Por debajo de los límites medibles
Distorsión armónica total	0,008% (a 1 kHz)
Gama dinámica	95 dB (a 1 kHz)
Relación de señal de ruido	105 dB
Separación de canales	85 dB (a 1 kHz)

RECEPCIÓN

Longitud de onda	795 nm
Potencia de láser	CLASS I

GENERAL

Alimentación	14,4 V CC (11-16 V margen permisible)
Salida de alimentación	16 W RMS \times 4*
* Calificaciones del amplificador primario de acuerdo con la norma CEA-2006	
• Salida de alimentación: medida a 4 ohmios y \leq 1% THD+N	
• Señal/Ruido: 80 dBA (referencia: 1 W en 4 ohmios)	
Tensión de salida de preamplificación máxima	2 V/10 k ohmios
Graves	\pm 14 dB a 100 Hz
Agudos	\pm 14 dB a 10 kHz
Peso	1,6 kg

TAMAÑO DEL CHASIS

Anchura	178 mm
Altura	50 mm
Profundidad	161 mm

TAMAÑO DE LA PIEZA FRONTAL

Anchura	170 mm
Altura	46 mm
Profundidad	24 mm

- Debido a la mejora continua del producto, las especificaciones y el diseño están sujetos a cambios sin previo aviso.

Ubicación y conexiones

Antes de instalar o conectar la unidad, lea atentamente lo siguiente y las páginas 3 y 5 de este manual para emplearla adecuadamente.

Advertencia

REALICE LAS CONEXIONES CORRECTAMENTE.

Una conexión incorrecta puede producir un incendio o dañar el equipo.

UTILICE LA UNIDAD SOLAMENTE EN VEHÍCULOS QUE TENGAN 12 VOLTIOS CON NEGATIVO A MASA.

(Consulte a su distribuidor en caso de duda.) De no ser así, podría ocasionar un incendio, etc.

ANTES DE EFECTUAR EL CABLEADO, DESCONECTE EL CABLE DEL TERMINAL NEGATIVO DE LA BATERÍA.

De no hacerlo así, podría ocasionar una descarga eléctrica o heridas debido a cortocircuitos eléctricos.

IMPIDA QUE LOS CABLES SE ENREDEN CON LOS OBJETOS SITUADOS ALREDEDOR.

Disponga la instalación eléctrica y los cables conforme a lo descrito en el manual para evitar obstáculos durante la conducción. Los cables que obstaculizan la conducción o que cuelgan de partes del vehículo como el volante de dirección, la palanca de cambios, los pedales de freno, etc., se consideran extremadamente peligrosos.

NO EMPALME CABLES ELÉCTRICOS.

Nunca corte el aislamiento de un cable para suministrar energía a otro equipo. Esto hace que la capacidad portadora del cable se supere y puede ser la causa de incendios o descargas eléctricas.

EVITE DAÑAR LOS TUBOS Y EL CABLEADO CUANDO TALADRE AGUJEROS.

Si taladra agujeros en el chasis durante la instalación, tome las precauciones necesarias para no rozar, dañar u obstruir los tubos, las tuberías de combustible, los depósitos o el cableado eléctrico. De lo contrario, podría provocar un incendio.

NO UTILICE TUERCAS O PERNOS EN EL SISTEMA DE FRENOS O DE DIRECCIÓN PARA REALIZAR LAS CONEXIONES A MASA.

Los pernos o tuercas empleados en los sistemas de freno o de dirección (o en cualquier otro sistema relacionado con la seguridad del vehículo), o los depósitos, NUNCA deben utilizarse para instalaciones de cableado o conexión a masa. Si utiliza tales partes podrá incapacitar el control del vehículo y provocar un incendio, etc.

MANTENGA LOS OBJETOS PEQUEÑOS, COMO LAS PILAS, FUERA DEL ALCANCE DE LOS NIÑOS.

La ingestión de estos objetos puede provocar lesiones graves. Si esto ocurre, consulte con un médico inmediatamente.

NO INSTALE EL EQUIPO EN LUGARES QUE PUEDAN INTERFERIR CON LA OPERACIÓN DEL VEHÍCULO, COMO EL VOLANTE DE DIRECCIÓN O LA CAJA DE CAMBIOS DE VELOCIDAD.

Esto podría obstaculizar la visibilidad y dificultar el movimiento, etc. y provocar accidentes graves.

IMPORTANTE

Anote el número de serie de la unidad en el espacio proporcionado a continuación y consérvelo como registro permanente. El número de serie impreso o grabado se encuentra en la base de la unidad.

Prudencia

CONFÍE EL CABLEADO Y LA INSTALACIÓN A PROFESIONALES.

El cableado y la instalación de este equipo requieren una competencia y experiencia técnica confirmada. Para garantizar la seguridad, póngase siempre en contacto con el distribuidor al que ha comprado el equipo para confiarle estas tareas.

UTILICE LOS ACCESORIOS ESPECIFICADOS E INSTÁLELOS CORRECTAMENTE.

Asegúrese de utilizar los accesorios especificados solamente. La utilización de otras piezas no designadas puede ser la causa de daños en el interior de la unidad o de una instalación incorrecta. Las piezas pueden aflojarse, lo que, además de ser peligroso, puede provocar averías.

DISPONGA EL CABLEADO DE FORMA QUE LOS CABLES NO SE DOBLEN, NO SE CONTRAIGAN NI ROCEN UN BORDE METÁLICO AFILADO.

Aleje los cables y el cableado de piezas móviles (como los raíles de los asientos) o de bordes puntiagudos o afilados. De esta forma evitará dobleces y daños en el cableado. Si los cables se introducen por un orificio de metal, utilice una arandela de goma para evitar que el borde metálico del orificio corte el aislamiento del cable.

NO INSTALE LA UNIDAD EN LUGARES MUY HÚMEDOS O LLENOS DE POLVO.

Evite instalar la unidad en lugares con altos índices de humedad o polvo. Si entra polvo o humedad, el equipo puede averiarse.

Precauciones

- Asegúrese de desconectar el cable del polo (-) de la batería antes de instalar su CDE-9881. Esto reducirá las posibilidades de averiar la unidad en caso de cortocircuito.
- Asegúrese de conectar los conductores con clave de colores según el diagrama. Unas conexiones incorrectas pueden ocasionar un mal funcionamiento de la unidad o pueden dañar el sistema eléctrico del vehículo.
- Cuando haga las conexiones al sistema eléctrico del vehículo, tenga en cuenta los componentes que vienen instalados de fábrica (como un computador incorporado, por ejemplo). No conecte a estos conductores para proporcionar alimentación a esta unidad. Al conectar el CDE-9881 a la caja de fusibles, asegúrese de que el fusible designado para el circuito del CDE-9881 sea del amperaje adecuado. De lo contrario, la unidad y/o el vehículo podrán sufrir daños. Cuando tenga dudas, consulte a su distribuidor Alpine.
- El CDE-9881 emplea conectores hembra tipo RCA para la conexión de otras unidades (ej.: amplificador) equipadas con conectores RCA. Algunas veces será necesario usar un adaptador para la conexión de otras unidades. En este caso, hágase asesorar por su distribuidor autorizado Alpine.
- Asegúrese de conectar los cables negativos (-) de altavoces al terminal de altavoces (-). Nunca conecte los cables de altavoces de los canales derecho e izquierdo uno a otro, ni tampoco a la carrocería del vehículo.

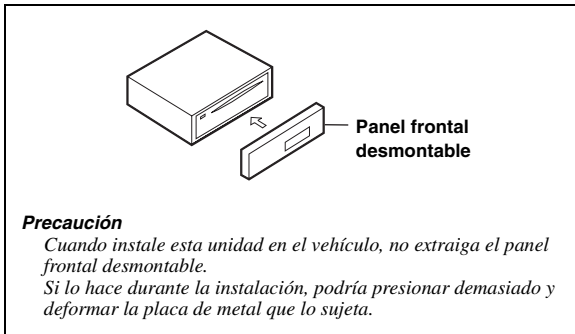
NÚMERO DE SERIE: _____

FECHA DE INSTALACIÓN: _____

INSTALADOR: _____

LUGAR DE ADQUISICIÓN: _____

Instalación

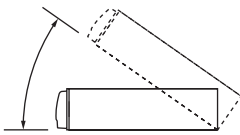


Precaución

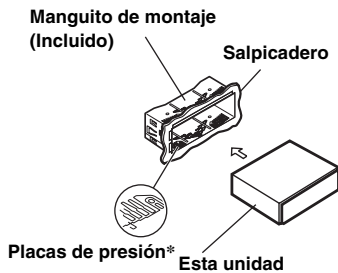
Cuando instale esta unidad en el vehículo, no extraiga el panel frontal desmontable. Si lo hace durante la instalación, podría presionar demasiado y deformar la placa de metal que lo sujeta.

- Monte la unidad principal en un ángulo de 35 grados en relación con el plano horizontal, desde atrás hacia adelante.

Menos de 35°



1

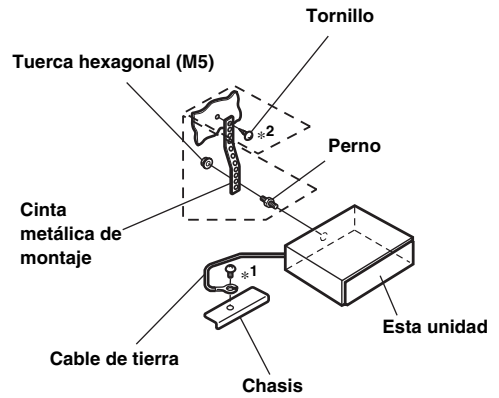


- * Si el manguito de montaje instalado en el salpicadero está flojo, las placas de presión pueden doblarse un poco para solventar el problema.

Extraiga el panel frontal desmontable (consulte la página 6).

Extraiga el manguito de montaje de la unidad principal (consulte "Extracción" en la página 25).

2



Refuerce la unidad principal con la cinta de montaje metálica (no suministrada). Fije el cable de tierra de la unidad en un punto metálico desnudo con un tornillo (*¹) ya fijado al chasis del vehículo.

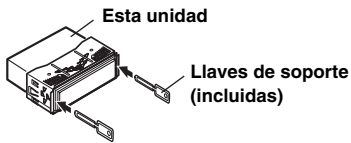
- Para el tornillo con la marca "*²", utilice un tornillo adecuado para la ubicación de montaje elegida.

Conecte cada conector de entrada del amplificador al conector de salida correspondiente de la parte trasera del CDE-9881. Conecte el resto de los conectores del CDE-9881 de acuerdo con las instrucciones descritas en la sección CONEXIONES.

- 3** Deslice el CDE-9881 hacia el interior del salpicadero hasta que escuche un chasquido. Eso permite asegurarse de que la unidad queda correctamente fijada y no se salga accidentalmente del salpicadero. Instale el panel frontal desmontable.

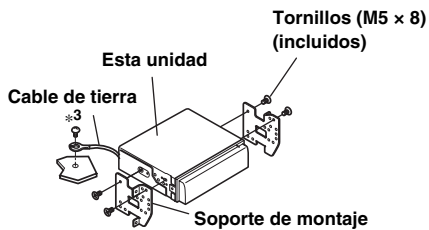
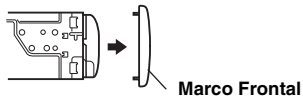
Extracción

1. Extraiga el panel frontal desmontable.
2. Inserte las llaves de soporte en la unidad, a lo largo de las guías de cada lado. Ahora puede extraer la unidad del manguito de montaje.



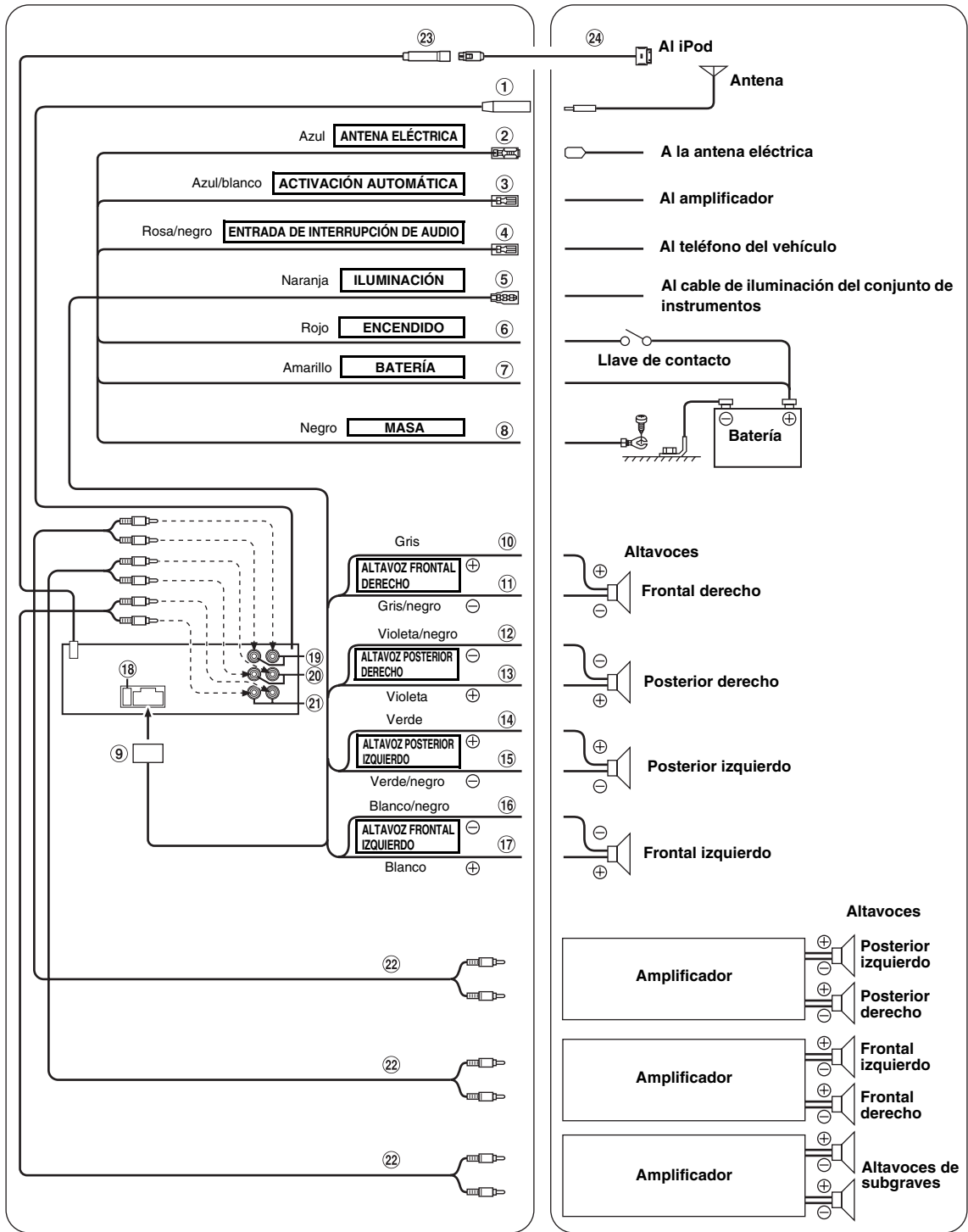
3. Tire de la unidad hacia fuera y manténgala desbloqueada mientras lo hace.

<VEHÍCULO JAPONÉS>



*Fije el cable de tierra de la unidad en un punto metálico desnudo con un tornillo (*3) ya fijado al chasis del vehículo.*

Conexiones



- ① **Receptáculo de la antena**
- ② **Cable para antena eléctrica (Azul)**
Si es necesario, conecte este cable al terminal +B de la antena eléctrica.
 - *Este cable sólo debe utilizarse para controlar la antena eléctrica del vehículo. No lo utilice para encender un amplificador o un procesador de señales, etc.*
- ③ **Toma de conexión remota (Azul/blanco)**
Conecte este cable al cable de control remoto del amplificador o del procesador de señal.
- ④ **Cable de entrada de interrupción audio (Rosa/negro)**
Conecte este conector a la salida de interconexión de audio de un teléfono móvil que ofrezca cortocircuitación a tierra al recibir una llamada.
- ⑤ **Cable de iluminación (Naranja)**
Este cable puede conectarse al cable de iluminación del grupo de instrumentos del automóvil. De esta forma se permitirá que la luz de fondo de la unidad CDE-9881 se atenúe cuando las luces del vehículo estén encendidas.
- ⑥ **Cable de alimentación con interruptor (Encendido) (Rojo)**
Conecte este cable a un terminal abierto de la caja de fusibles del vehículo o a otra fuente de alimentación no utilizada que genere una potencia de (+) 12V sólo cuando el contacto esté encendido o en posición auxiliar.
- ⑦ **Cable de la batería (Amarillo)**
Conecte este cable al borne positivo (+) de la batería del vehículo.
- ⑧ **Cable de tierra (Negro)**
Conecte este cable a una buena toma de tierra del vehículo. Asegúrese de realizar la conexión sólo en el metal y de que quede perfectamente sujeto utilizando el tornillo de chapa de metal incorporado.
- ⑨ **Conector de alimentación de energía**
- ⑩ **Cable de salida del altavoz delantero derecho (+) (Gris)**
- ⑪ **Cable de salida del altavoz delantero derecho (-) (Gris/negro)**
- ⑫ **Cable de salida del altavoz trasero derecho (-) (Violeta/negro)**
- ⑬ **Cable de salida de altavoz derecho trasero (+) (Violeta)**
- ⑭ **Cable de salida de altavoz izquierdo trasero (+) (Verde)**
- ⑮ **Cable de salida del altavoz trasero izquierdo (-) (Verde/negro)**
- ⑯ **Cable de salida del altavoz delantero izquierdo (-) (Blanco/negro)**
- ⑰ **Cable de salida de altavoz izquierdo delantero (+) (Blanco)**
- ⑱ **Portafusibles (10 A)**
- ⑲ **Conectores RCA traseros de salida**
ROJO (derecha) y BLANCO (izquierda).
- ⑳ **Conectores RCA delanteros de salida**
ROJO (derecha) y BLANCO (izquierda).
- ㉑ **Conectores RCA de subwoofer**
ROJO (derecha) y BLANCO (izquierda).
- ㉒ **Prolongador eléctrico RCA (vendido por separado)**
- ㉓ **Conector directo del iPod**
Señales de control de iPod.
Conéctelo a un iPod mediante el cable de conexión FULL SPEED™ (KCE-422i) (vendido por separado).
- ㉔ **Cable de conexión FULL SPEED™ (KCE-422i) (vendido por separado)**

Para evitar ruidos externos en el sistema de audio.

- Coloque la unidad y pase los cables a 10 cm por lo menos del conjunto de cables del automóvil.
- Mantenga los conductores de la batería lo más alejados posible de otros cables.
- Conecte el conductor de puesta a masa con seguridad a un punto metálico desnudo (si es necesario, elimine la pintura, suciedad o grasa) del chasis del automóvil.
- Si añade un supresor de ruido opcional, conéctelo lo más lejos posible de la unidad. Su proveedor Alpine ofrece distintos supresores de ruido; póngase en contacto con él para obtener más información.
- Su proveedor Alpine conoce la mejor forma de evitar el ruido. Solicítele más información.

