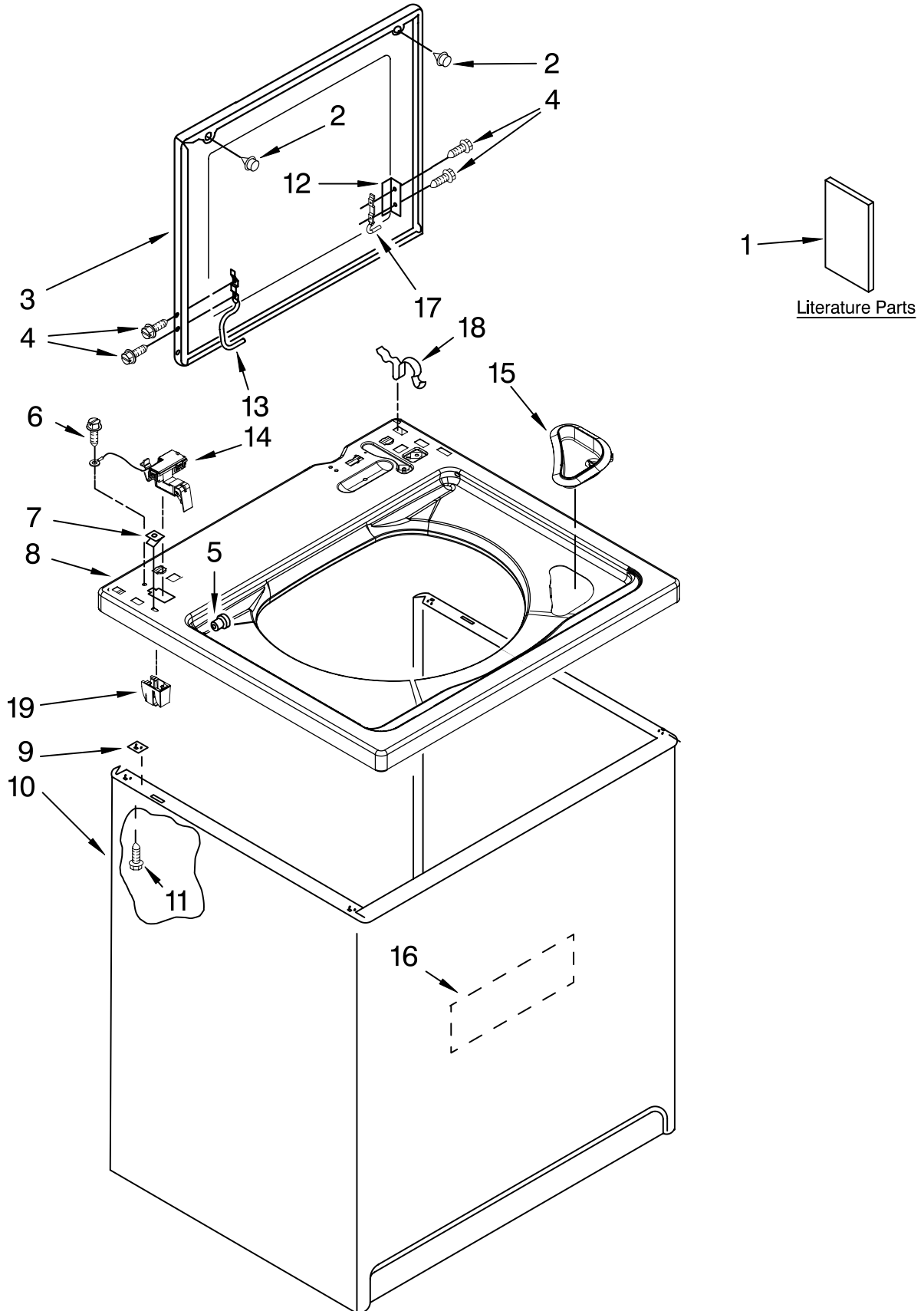




TOP AND CABINET PARTS

For Model: 3RLSQ8033SW2
(White/Grey)

AUTOMATIC
WASHER



FOR ORDERING INFORMATION REFER TO PARTS PRICE LIST

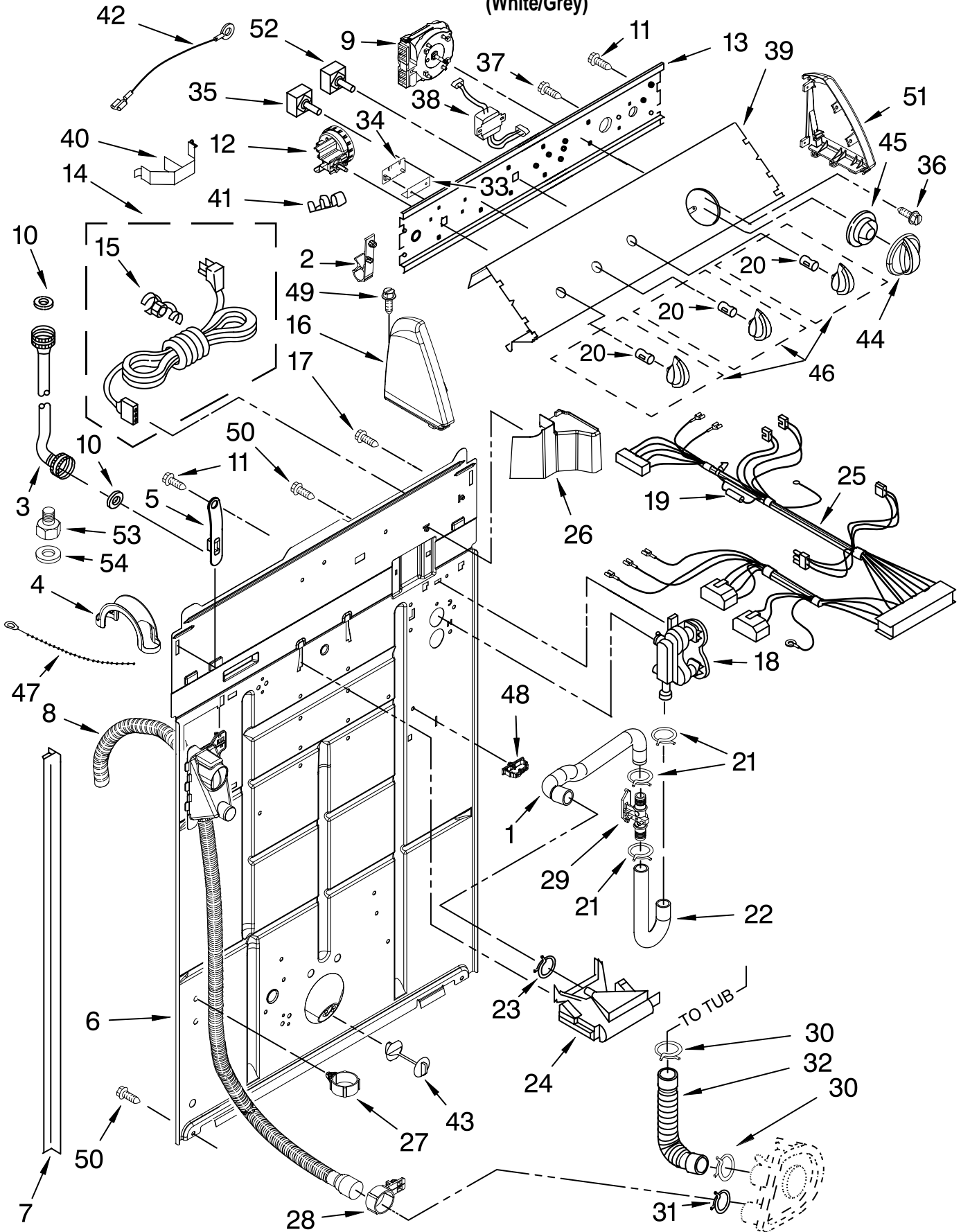
TOP AND CABINET PARTS

For Model: 3RLSQ8033SW2
(White/Grey)

Illus. No.	Part No.	DESCRIPTION
1		Literature Parts
	W10131577	Installation Instructions
	W10131573	Use & Care Guide
	W10215726	Wiring Diagram
	W10131548	Installation & User Guide
2	9724509	Bumper, Lid (2)
3	W10171315	Lid
4	W10119828	Screw, Lid Hinge Mounting (4)
5	8319539	Bearing, Lid Hinge (2)
6	W10080580	Screw, Ground
7	357213	Nut, Push-In (2)
8	W10194871	Top
9	62750	Spacer, Cabinet To Top (4)
10	63424	Cabinet
11	3390631	Screw, 10-16 x 3/8 (4)
12	21097	Pad, Lid Hinge
13	W10225136	Hinge, Lid (L.H.)
14	W10237162	Switch, Lid
15	W10192089	Dispenser, Bleach
16	W10177046	Cabinet-Damper, Sound
17	91770	Hinge, Lid (R.H.)
18	62780	Clip, Top & Cabinet & Rear Panel (2)
19	W10180691	Shield, Lid Switch

CONTROLS AND REAR PANEL PARTS

For Model: 3RLSQ8033SW2
(White/Grey)



FOR ORDERING INFORMATION REFER TO PARTS PRICE LIST

CONTROLS AND REAR PANEL PARTS

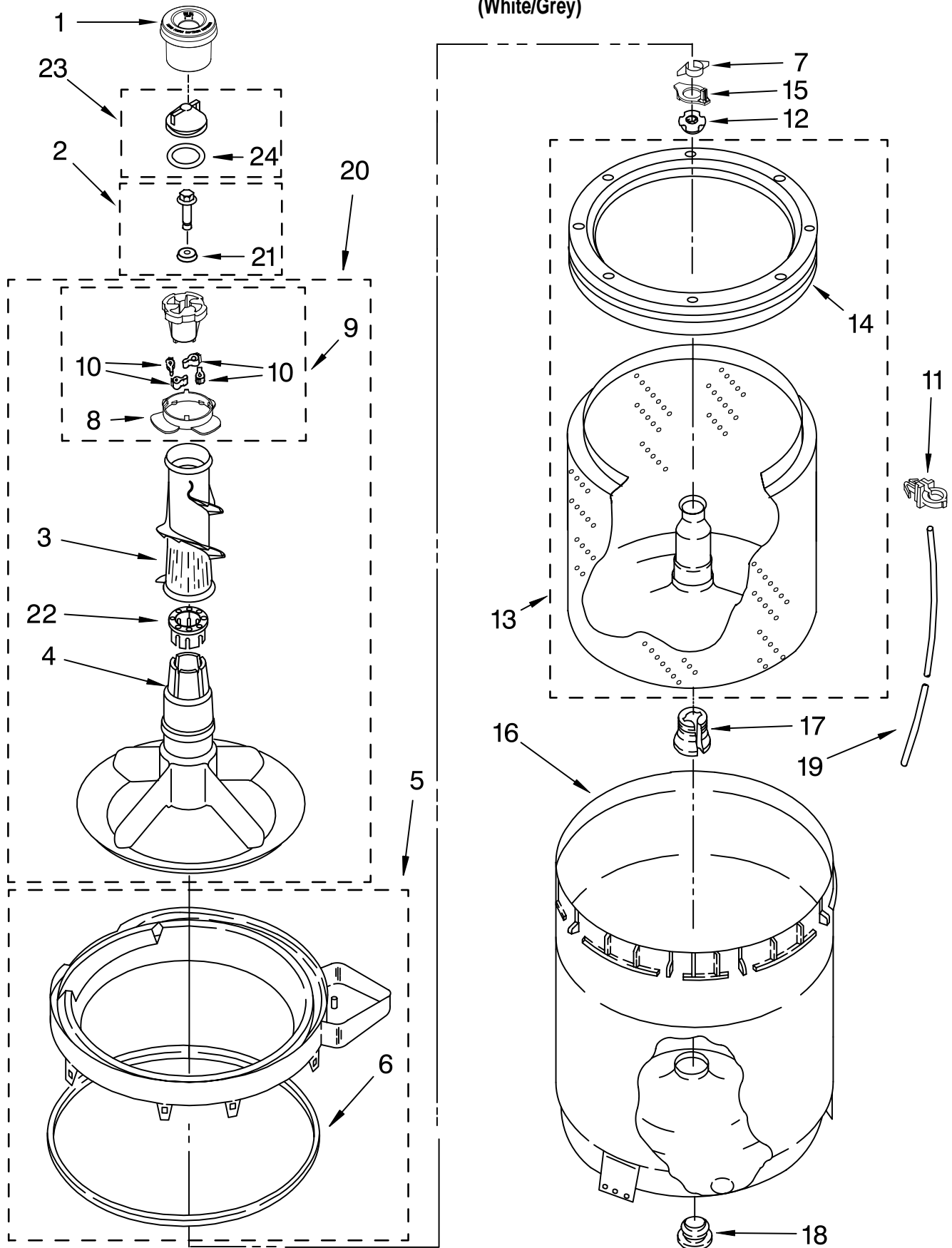
For Model: 3RLSQ8033SW2
(White/Grey)

Illus. No.	Part No.	DESCRIPTION	Illus. No.	Part No.	DESCRIPTION	Illus. No.	Part No.	DESCRIPTION
1	3349365	Hose, Sensor (Upper)	16	8541780	Cap, End (L.H.)	35	W10168262	Switch, Rotary (2nd Rinse)
2	8317975	Retainer, Harness	17	W10080580	Screw, Ground	36	3400818	Screw, Timer Mounting
3		Hose, Water Inlet	18	3360397	Valve, Water Mixing	37	W10130933	Screw, Ground
	3949382	Red	19	W10111181	Fuse (In Harness)	38	3407160	Transformer
	3949383	Blue	20	8536939	Clip, Knob	39	W10115456	Panel, Console
4	8577378	U-Bend, Drain Hose	21	W10117299	Clamp, Hose	40	8055003	Clip, Harness & Pressure Hose
5	8568314	Strap, Console (2)	22	3357319	Hose, Vacuum Break	41	W10113937	Clip, Grounding
6	8318015	Panel, Rear	23	W10117298	Clamp, Hose	42	W10110977	Wire, Ground
7	62747	Pad, Rear Panel	24	387606	Break, Vacuum	43	8519200	Support, Rear Panel
8	W10096921	Drain Hose Assembly (Includes Items 27 & 28)	25	W10217035	Harness, Wiring (For Detail See Pages 9 & 10)	44	8544945	Knob, Timer
9	W10222216	Timer, Control (50 Hz.) (Motor Not A Service Part)	26	8314879	Shield, Inlet Valve	45	8544947	Dial, Timer
10	W10242307	Washer, Water Inlet Hose (1-1/16 x 5/8)	27	8541667	Clamp, Hose	46	8544937	Knob, Control
11	W10080280	Screw, 8-18 x 3/8	28	8541668	Clamp, Hose	47	3347868	Cable Tie
12	W10213199	Switch, Water Level	29	3352282	Sensor, Inline	48	3352944	Clip, Harness
13	8544893	Bracket, Control	30	W10094820	Clamp, Hose	49	W10080350	Screw, 8-18 x 1.25 (Panel to Top)
14	W10111552	Cord, Power	31	W10112110	Clamp, Hose	50	W10080260	Screw, 10-16 x 3/8
15	8559337	Strain Relief, Power Cord	32	W10116973	Hose, Pump To Tub (Includes Item 30)	51	8541779	Cap, End (R.H.)
			33	8316039	Shield, ATC	52	W10168171	Switch, Rotary (Temperature)
			34	W10110247	Control, ATC	53	3357397	Adapter, Water Inlet Hose (2)
						54	3357450	Washer, Inlet Hose Adapter (2)

FOR ORDERING INFORMATION REFER TO PARTS PRICE LIST

AGITATOR, BASKET AND TUB PARTS

For Model: 3RLSQ8033SW2
(White/Grey)



FOR ORDERING INFORMATION REFER TO PARTS PRICE LIST

AGITATOR, BASKET AND TUB PARTS

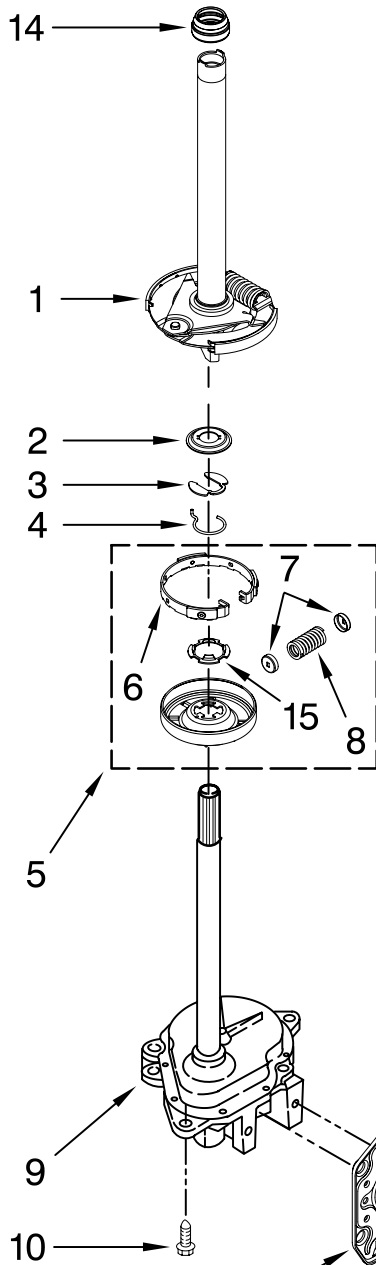
For Model: 3RLSQ8033SW2
(White/Grey)

Illus. No.	Part No.	DESCRIPTION
1	8575076	Dispenser
2	W10003790	Screw & Washer (5/16-24 x 1)
3	3363003	Clothes Mover
4	3951632	Agitator
5	8528150	Tub Ring & Gasket
6	3976308	Gasket, Tub Ring
7	3354845	Clip, Agitator
8	3952374	Bearing, Driven Cam
9	3951682	Cam, Driven
10	3366877	Dog, Agitator Clutch (4)
11	2219077	Clip, Pressure Switch Hose
12	21366	Nut, Spanner
13	8526017	Basket & Balance Ring
14	387240	Balance Ring
15	8543666	Washer, Agitator
16	W10135425	Tub
17	389140	Block, Basket Drive
18	383727	Gasket, Centerpost
19	3347780	Hose, Pressure Switch
20	3951744	Agitator (Complete)
21	3949550	Washer
22	3951608	Spacer, Thrust
23	3354733	Cap, Barrier
24	W10072840	Seal, Inner Cap

FOR ORDERING INFORMATION REFER TO PARTS PRICE LIST

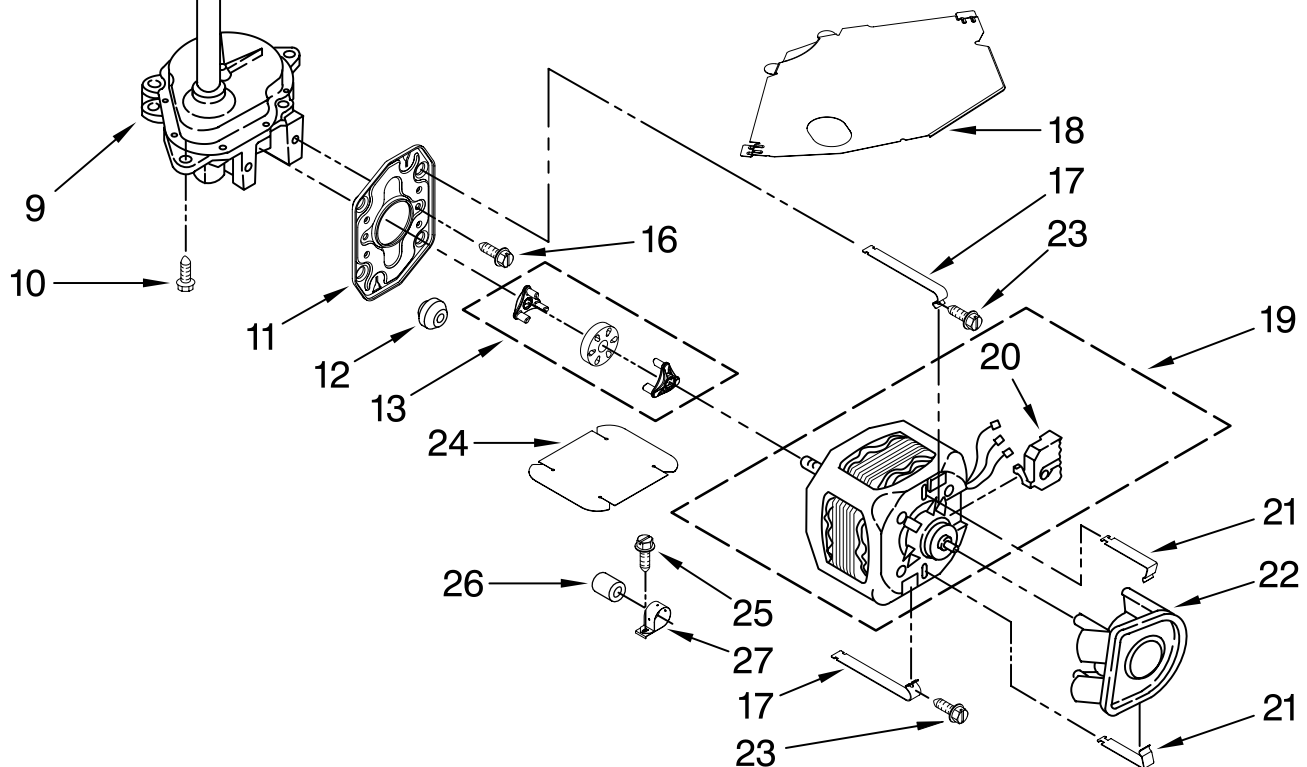
BRAKE, CLUTCH, GEARCASE, MOTOR AND PUMP PARTS

For Model: 3RLSQ8033SW2
(White/Grey)



Illus. No.	Part No.	DESCRIPTION
1	W10117003	Brake & Drive Tube (Complete) (Refer to Page 11 For Further Breakdown)
2	63292	Washer, Spin
3	W10080230	Ring, Spin Tube Support
4	63283	Ring, Retainer
5	W10116968	Clutch (Complete)
6	W10118761	Band & Lining, Clutch
7	62646	Cap, Clutch Spring (2)
8	3946792	Spring, Clutch
9	W10116916	Gearcase (Complete) (Refer To Page 12 For Further Breakdown)
10	W10080600	Screw, Gearcase To Base (3)

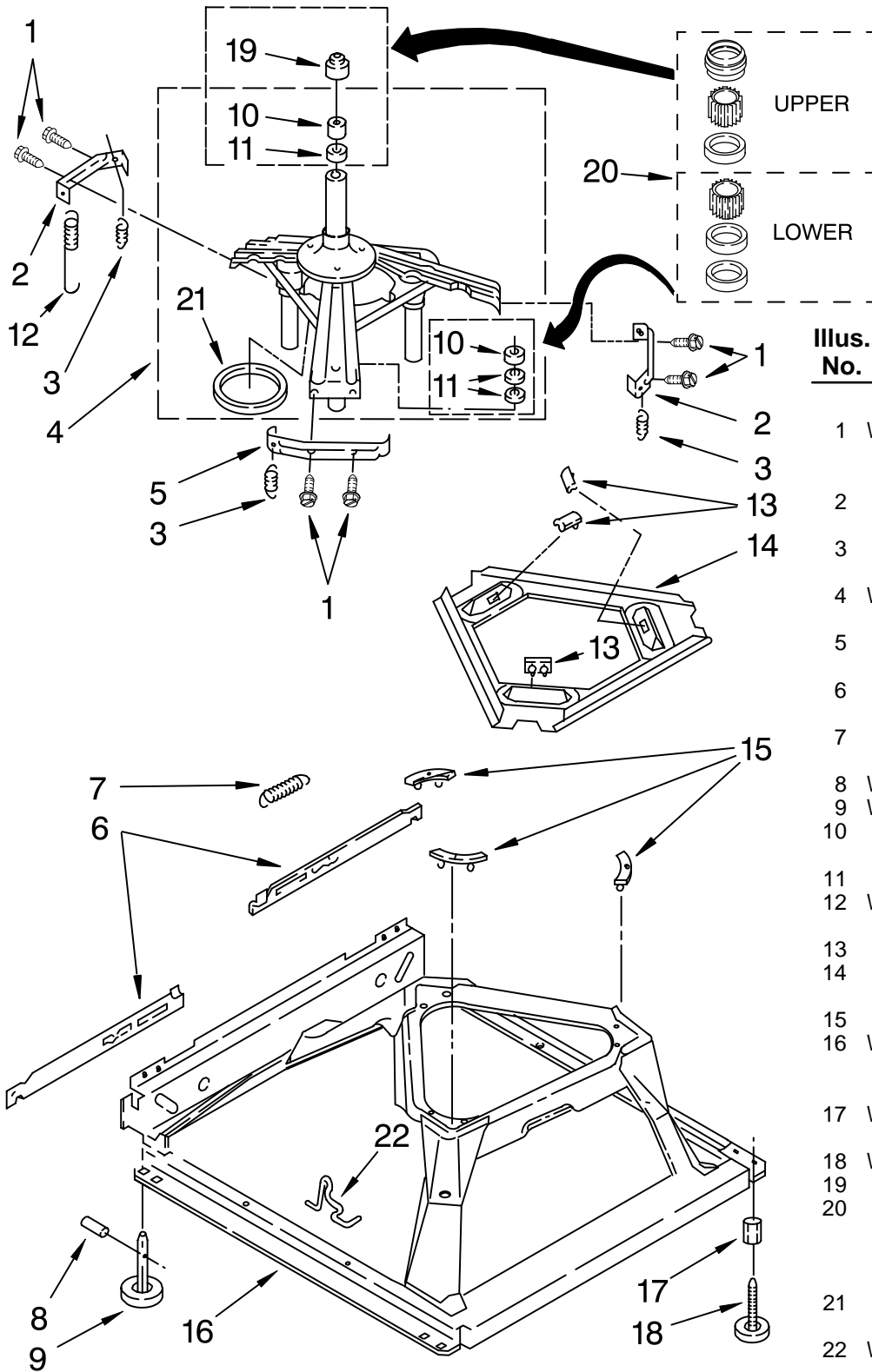
Illus. No.	Part No.	DESCRIPTION
11	62611	Plate, Motor Mount To Gearcase
12	62691	Grommet, Motor (4)
13	3364003	Coupling, Motor & Isolation
14	8577374	Seal
15	3355454	Clip, Anti-Rattle
16	W10080610	Screw
17	W10086010	Retainer, Motor (2)
18	3362089	Shield, Tub To Motor
19	3950297	Motor, Main Drive
20	8529896	Switch, Main Drive Motor
21	8546127	Retainer, Pump (2)
22	3363394	Pump (Complete)
23	W10080650	Screw, 10-16 x 5/8
24	8316060	Shield, Motor
25	W10080260	Screw, 10-16 x 5/16
26	8572719	Capacitor
27	W10083210	Clamp, Capacitor



FOR ORDERING INFORMATION REFER TO PARTS PRICE LIST

MACHINE BASE PARTS

For Model: 3RLSQ8033SW2
(White/Grey)

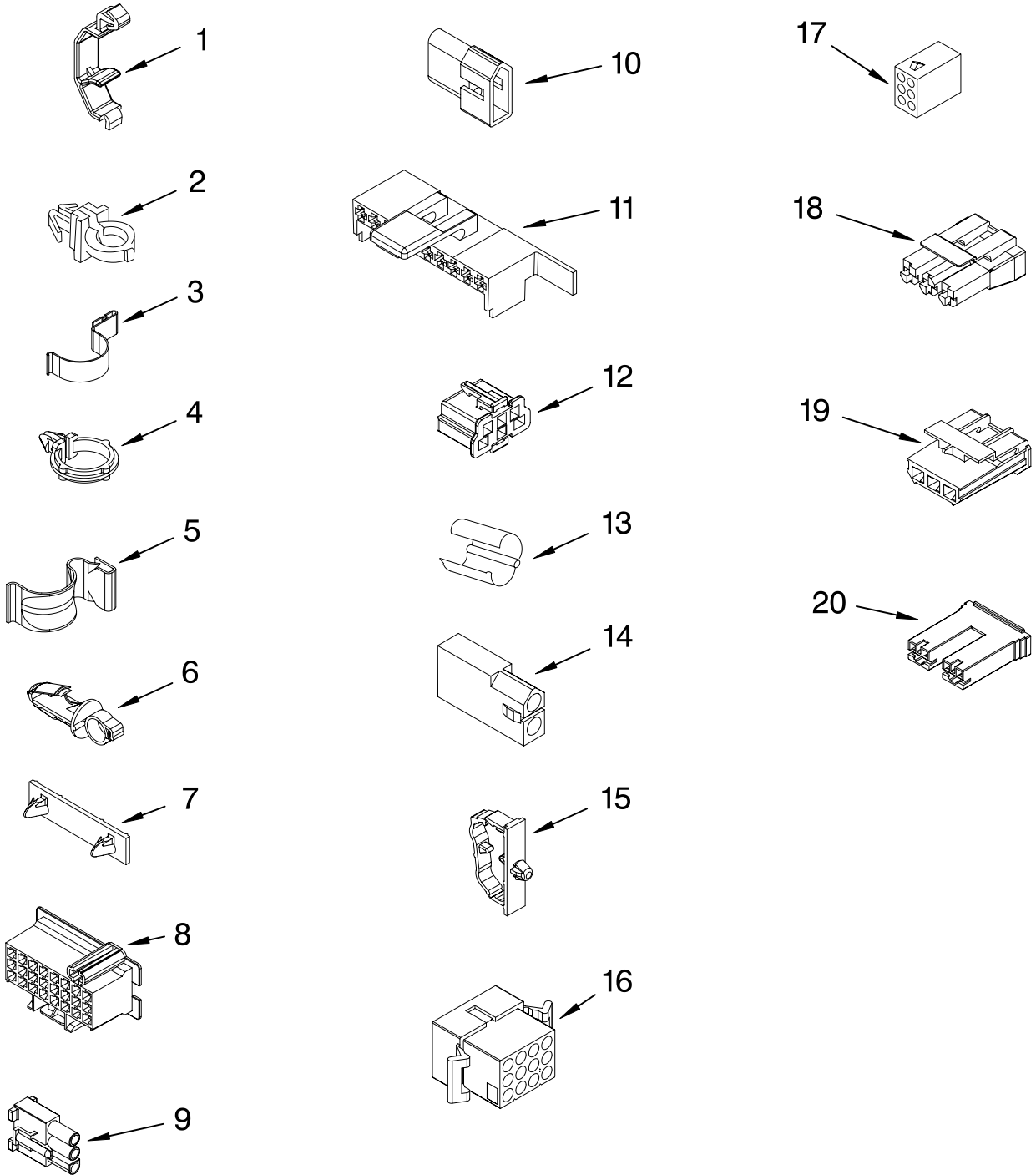


Illus. No.	Part No.	DESCRIPTION
1	W10080750	Screw, Bracket Mounting (10-32 x 5/8)
2	64067	Bracket, Spring Outer (2)
3	63907	Spring Suspension,(3)
4	W10117005	Support & Brake, Tub
5	64065	Bracket, Spring Outer (L.F.)
6	63466	Link, Leveling Mechanism (2)
7	62597	Spring, Leveling Mechanism
8	W10080920	Pin, Knurled (2)
9	W10083250	Foot, Rear (2)
10	8546455	Bearing, Centerpost (2)
11	357409	Seal, Centerpost (3)
12	W10250667	Spring, Counterweight
13	62568	Pad, Plate
14	3946509	Plate, Suspension (Includes Item 13)
15	3363660	Pad, Base
16	W10116943	Base Assembly (Includes Items 6, 7, 8, 9, 15 & 22)
17	W10080250	Nut, Lock (2) (3/8-16)
18	W10080910	Foot, Front (2)
19	8577376	Seal, Centerpost
20	285203	Centerpost Bearing Kit (Includes Items 10, 11 & 19)
21	63134	Ring, Sound Deadening
22	W10145155	Retainer, Suspension Spring

FOR ORDERING INFORMATION REFER TO PARTS PRICE LIST

WIRING HARNESS PARTS

For Model: 3RLSQ8033SW2
(White/Grey)



WH2J

FOR ORDERING INFORMATION REFER TO PARTS PRICE LIST

WIRING HARNESS PARTS

For Model: 3RLSQ8033SW2
(White/Grey)

Illus. No.	Part No.	DESCRIPTION	Illus. No.	Part No.	DESCRIPTION	Illus. No.	Part No.	DESCRIPTION
1	3349557	Retainer, Harness	9	62889	Receptacle, Terminal (3-Way)	16	3390423	Block, Disconnect (12-Way)
2	388498	Clip, Harness				17	3347730	Receptacle (6-Way)
3	3347812	Clip, Harness	10	353424	Plug, Terminal (3-Way)	18	3948617	Connector (T.P.A.) (3-Circuit)
4	3352501	Clip, Harness (Push-In)	11	62505	Block, Disconnect (Motor 2 Speed)	19	3360056	Plug (T.P.A.) (3-Circuit)
5	90016	Clip, Harness (Half-Harness)	12	3347243	Block, Disconnect	20		Block, Connector
6	3390496	Clip, Harness	13	63523	Protector		3354925	Natural
7	389379	Retainer, Harness	14	717252	Connector (2-Way)		3354926	Red
8		Timer, Block Disconnect	15	3352944	Clip, Harness			
	3948614	Natural						
	352089	Black						

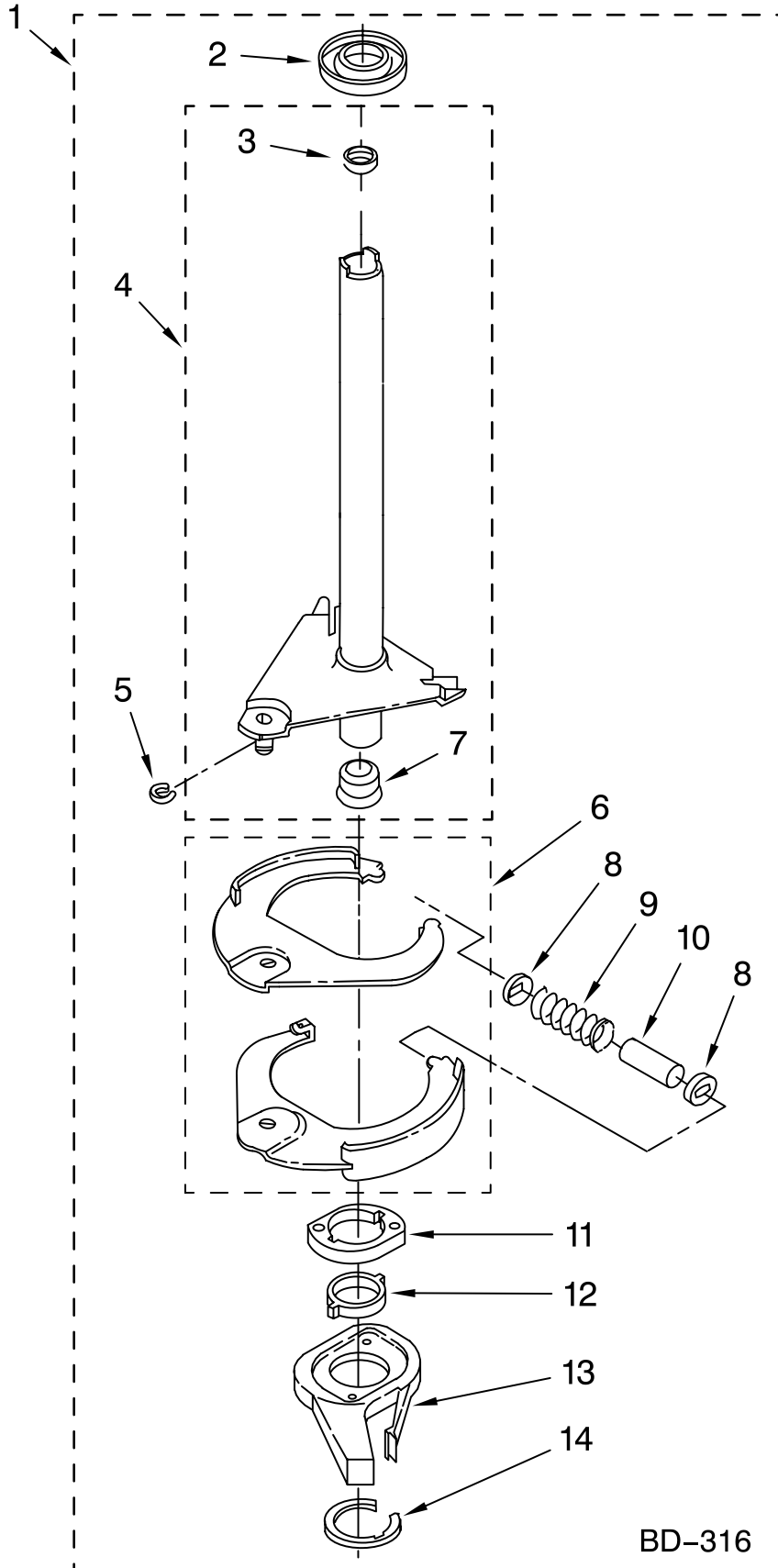
**FOR COMPLETE WIRING HARNESS REFER TO
CONTROL AND REAR PANEL PARTS PAGE**

WH2J

FOR ORDERING INFORMATION REFER TO PARTS PRICE LIST

BRAKE AND DRIVE TUBE PARTS

For Model: 3RLSQ8033SW2
(White/Grey)



Illus. No.	Part No.	DESCRIPTION
------------	----------	-------------

1	W10117003	Brake And Drive Tube (Complete)
2	62658	Ring, Thrust
3	356427	Seal, Drive Tube
4	W10117001	Tube, Basket Drive
5	W10083190	Ring, Retaining
6	W10116995	Shoe, Brake (2)
7	8546462	"T" Bearing, Spin Tube
8	3353956	Cap, Brake Spring (2)
9	387806	Spring, Brake
10	3355360	Sleeve, Brake Spring
11	8546461	Cam, Brake Release
12	63022	Sleeve, Cam
13	64194	Driver, Brake Cam
14	W10083200	Ring, Retaining

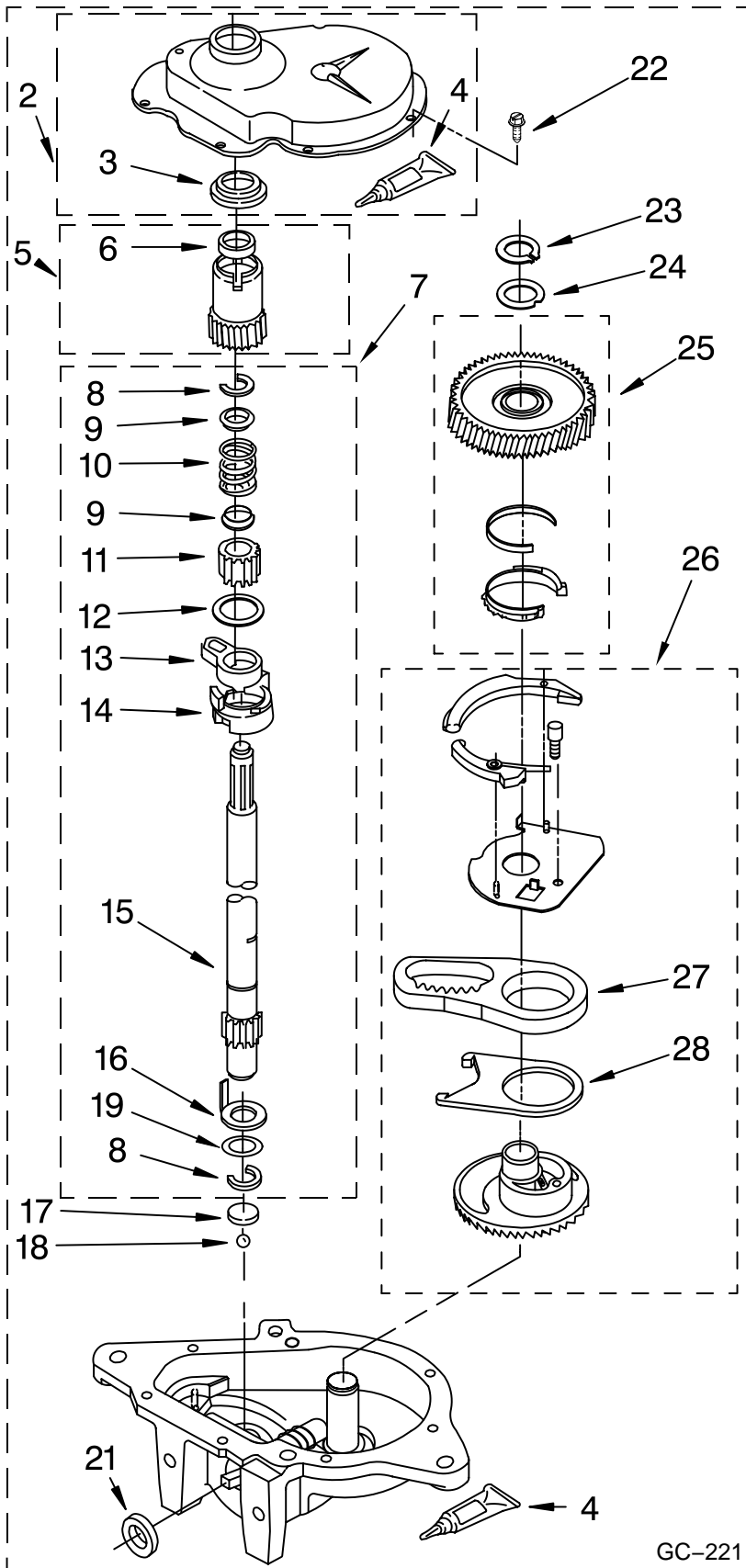
FOLLOWING PARTS NOT ILLUSTRATED

285208 Lubricant
(Use Only In Brake Shoe Assembly On Roller & Pin)

FOR ORDERING INFORMATION REFER TO PARTS PRICE LIST

GEARCASE PARTS

For Model: 3RLSQ8033SW2
(White/Grey)



Illus. No.	Part No.	DESCRIPTION
1	W10116916	Gearcase (Complete)
2	285202	Cover, Gearcase
3	3349985	Seal, Gearcase Cover
4	285195	Sealer, Gasket (.20 Fl. Oz.) (6 ml)
5	63320	Pinion, Spin (Includes Item 25)
6	356427	Seal, Spin Pinion
7	W10116913	Shaft, Agitator (Complete)
8	90369	Ring, Retaining (2)
9	62677	Retainer, Spring (2)
10	62676	Spring, Agitate
11	W10110245	Gear, Agitate (Includes Items 15 & 19)
12	W10080940	Washer, Agitate Gear
13	62580	Cam Follower (Includes Item 14)
14	3976349	Cam, Agitate (Includes Item 13)
15	389231	Shaft, Agitator
16	62618	Washer, Cam Thrust
17	16018	Bearing, Thrust (Includes Item 18)
18	85529	Ball, Bearing (Includes Item 17)
19	W10080950	Washer, Intermediate
21	285352	Seal, Thrust Plug
22	W10080580	Screw, Gearcase Cover Mounting (8) (10-24 x 3/8)
23	3946619	Ring, Retaining
24	285766	Washer Kit, Thrust
25	63400	Gear, Spin
26	3948434	Neutral Assembly
27	8546456	Rack, Connecting
28	62621	Actuator, Shift

GC-221

FOR ORDERING INFORMATION REFER TO PARTS PRICE LIST

OPTIONAL PARTS (NOT INCLUDED)

For Model: 3RLSQ8033SW2
(White/Grey)

Illus. No.	Part No.	DESCRIPTION
-------------------	-----------------	--------------------

PAINT, TOUCH-UP (1/2oz.)

72017 White

PAINT, PRESSURIZED SPRAY (12 oz.)

350938 Primer, Gray
350930 White

PAINT, BULK (1 qt.)

799344 White (Uncut)

OIL

350572 Oil, Gearcase
(16 Oz.)

LUBRICANT

285208 Lubricant (Use
Only in Brake
Shoe Assembly
On Roller and
Pin)

SEALER

285195 Sealer, Gasket
(.20 Fl. Oz.) (6 ml)

ACCESSORY PARTS

367031 Drain Protector
280129 Siphon Break Kit
280130 Drain Hose
Adapter Kit
280131 Drain Hose
Extension Kit

FOR ORDERING INFORMATION REFER TO PARTS PRICE LIST