

Installation and User's Guides

This document contains an abbreviated version of the installation instructions for the AT-TQ3600 Wireless Access Point. For complete installation and management instructions, refer to the AT-TQ3600 installation Guide and AT-TQ Wireless Access Point Series User's Guide on the Allied Telesis web site at www.alliedtelesis.com/support.

Safety and Electromagnetic Emissions Certificates

Standard Compliance	RoHs compliant European Union RoHS (Directive 2011/65/EU of the European Parliament and of the Council of 8 June 2011 on the restriction of the use of certain hazardous substances in electrical and electronic equipment.)	
Certificates	CE FCC/IC RCM Wi-Fi CERTIFIED	EAC KC SRMC
Electromagnetic Compatibility (EMC)	EN 301 489-1 EN 55022 EN 61000-3-2 EN 61000-4-2 EN 61000-4-4 EN 61000-4-6 AS/NZS CISPR 22 FCC 47 CFR Part 15, Subpart B ICES-003	EN 301 489-17 EN 55024 EN 61000-3-3 EN 61000-4-3 EN 61000-4-5 EN 61000-4-11
Medical (EMC)	EN 60601-1-2	
Radio Equipment	EN 300 328 AS/NZS 4268 RSS-Gen FCC 47 CFR Part 15, Subpart C FCC part 2	EN 301 893 RSS210 RSS-102 FCC 47 CFR Part 15, Subpart E
Safety	EN 60950-1 TUV-T UL 2043 (For AT-TQ3600-01 only) Suitable for use in environmental air space in accordance with Section 300-22(C) of the National Electrical Code, and Sections 2-128, 12-010(3), and 12-100 of the Canadian Electrical Code Part 1, CSA C22.1.	

Installation Options

- Table or desktop
- Wall or ceiling

This quick installation guide explains how to install the device on a table or desktop. For instructions on how to install the device on a wall or ceiling, refer to the AT-TQ3600 Wireless Access Point installation Guide.

Note:

The non-US model of this product has a country code setting that must be set during the initial management session of the unit. The setting ensures that the unit operates in compliance with the laws and regulations of your country or region.

The country code for the US model is preset and cannot be changed. Per FCC regulations, the country code setting for all WiFi products marketed in the US must be fixed to US operational channels only.

Physical Description

The AT-TQ3600 Wireless Access Point is shown in this figure.



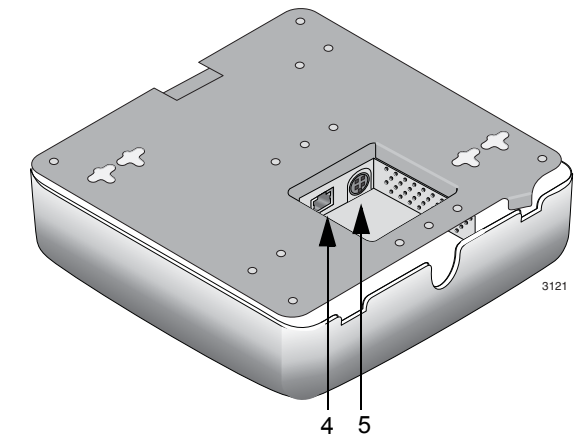
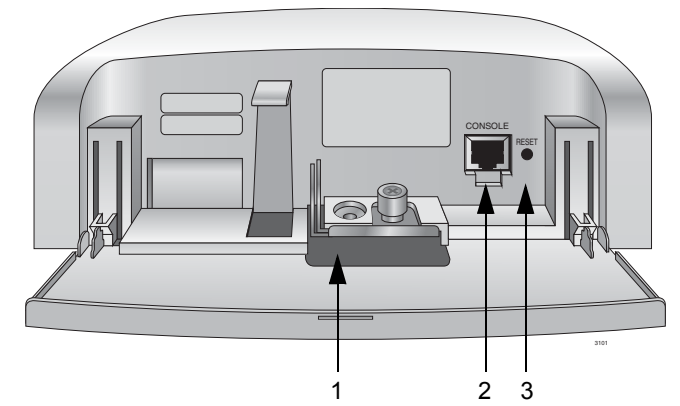
The LEDs on the top panel of the access point are described in this table.

Table 1. LEDs

LED	State	Description
PWR	Solid Green	The unit is receiving DC power that is within the normal operating range.
	Off	The power supply is not receiving power from either the AC/DC power adapter or a PoE Ethernet switch.
SYS	Amber	The access point is loading its firmware.
	Off	The unit is operating normally.
10M and 100M	10M: On 100M: Off	The Ethernet port is operating at 10 Mbps.
	10M: Off 100M: On	The Ethernet port is operating at 100 Mbps.
	10M: On 100M: On	The Ethernet port is operating at 1000 Mbps.
2.4GHz	Green	The 2.4GHz radio is sending and receiving radio waves.
5GHz	Green	The 5GHz radio is sending and receiving radio waves.

You may turn off the LEDs with the management software.

These two figures identify the components of the access point.



The components on the access point are described in this table.

Table 2. Access Point Components

	Component	Description
1	Holes for anti-theft devices	Refer to "Installing Anti-theft Devices".
2	Console Port	The Console Port is for manufacturing purposes only.
3	Reset Button	The Reset button returns the parameter settings on the access point to their default settings.
4	LAN Port	The 10/100/1000Base-T LAN port connects the access point to your wired network. It supports PoE. If you connect the port to an Ethernet switch that supports PoE, you do not have to use the power adapter to power the device.
5	DC Power Connector	This connector is for the AT-TQ0091 AC/DC Power Adapter. You may power the access point with PoE on the LAN port or the power adapter. The power adapter must be ordered separately.

You should review the safety precautions in the AT-TQ3600 Wireless Access Point Installation Guide before installing the product.

The cable specifications for the LAN port are detailed in the AT-TQ3600 Wireless Access Point Installation Guide.



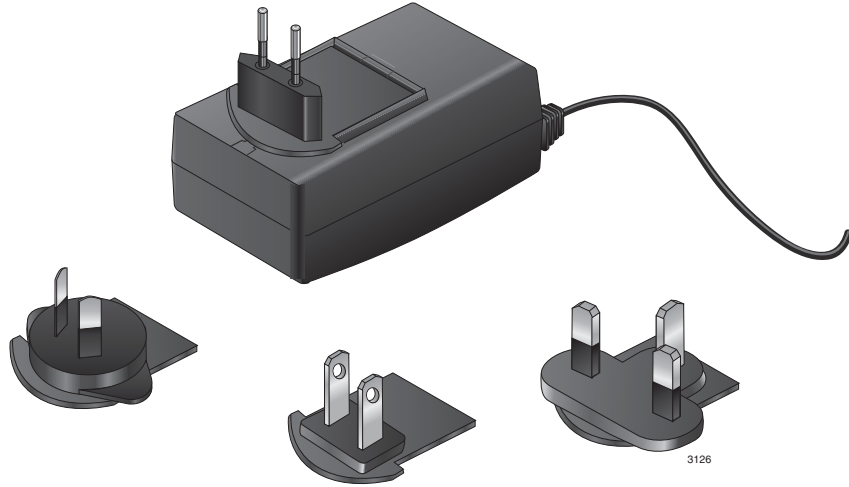
Package Contents of the AT-TQ3600 Wireless Access Point

The following items should be in the shipping container:

- One AT-TQ3600 Wireless Access Point
- This AT-TQ3600 Quick Install Guide

Package Contents of the AT-TQ0091 AC/DC Power Adapter

If you are not planning to use the PoE feature of the access point to power the device, you must separately order the AT-TQ0091 AC/DC Power Adapter. The adapter comes with four regional power connectors. (The adapter comes with one connector already installed.)



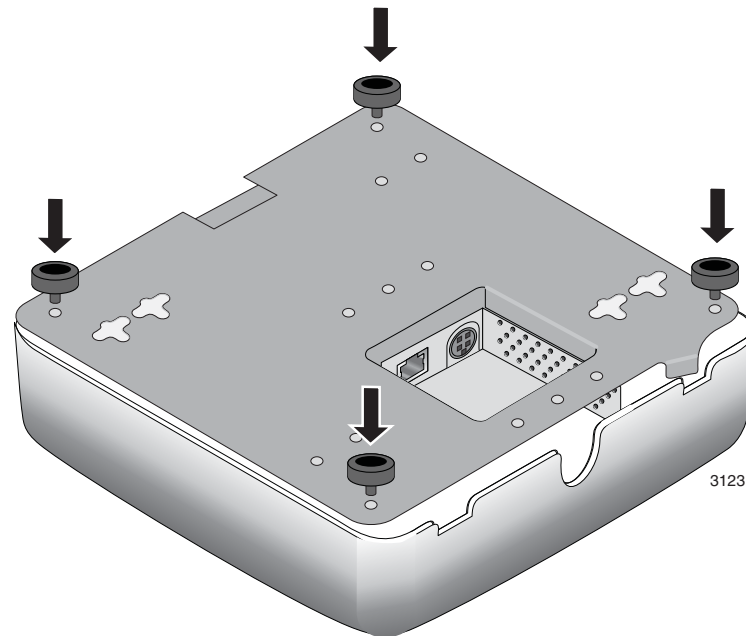
If any item is missing or damaged, contact your Allied Telesis sales representative for assistance. You should retain the original shipping material in case you need to return the unit to Allied Telesis.

Installing the Wireless Access Point on a Table or Desk

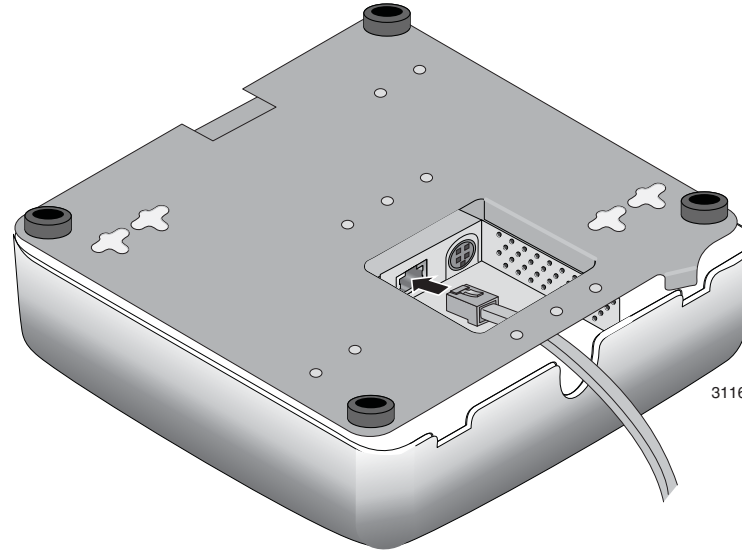
For instructions on how to install the device on a wall or ceiling, refer to the AT-TQ3600 Wireless Access Point Installation Guide.

To install the access point on a table or desktop, perform the following procedure:

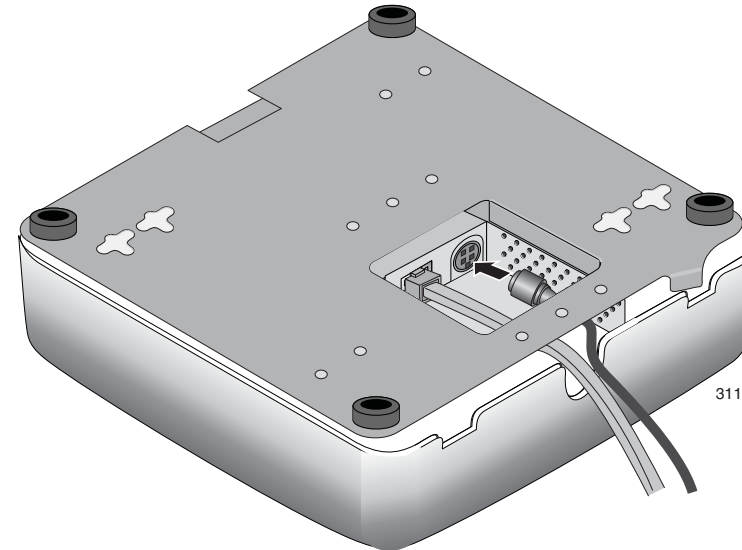
1. Place the access point upside down on the table or desk selected for the device.
2. Install the four rubber feet included with the wireless access point to the bottom panel.



3. Route a network cable through the notch in the cover and under the bottom panel, and connect it to the LAN port on the access point.



4. Connect the other end of the network cable to a port on an Ethernet switch.
5. Do one of the following:
 - If you are not using the PoE feature on the Ethernet LAN Port to power the unit, continue with this procedure to attach the AT-TQ0091 AC/DC Power Adapter.
 - If you are using the PoE feature on the LAN Port to power the access point, turn the access point right side up. The installation procedure is complete. Go to "Installing Anti-theft Devices" or "Starting the Initial Management Session".
6. Route the DC power cable from the AT-TQ0091 AC/DC Power Adapter through the notch in the cover and under the bottom panel, and connect it to the DC-IN 12VDC connector on the access point.

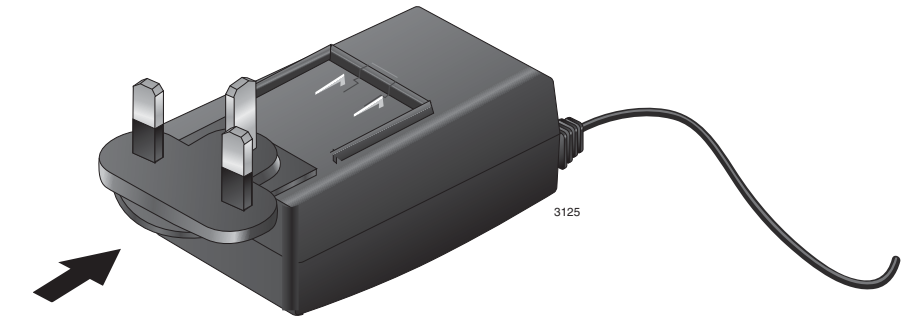


7. Turn the access point right side up.

8. Check the plug on the AT-TQ0091 AC/DC Power Adapter to see if it is the correct plug for your region. If it is not the correct plug, remove it by pressing down on the release tab and sliding it from the slot on the adapter.



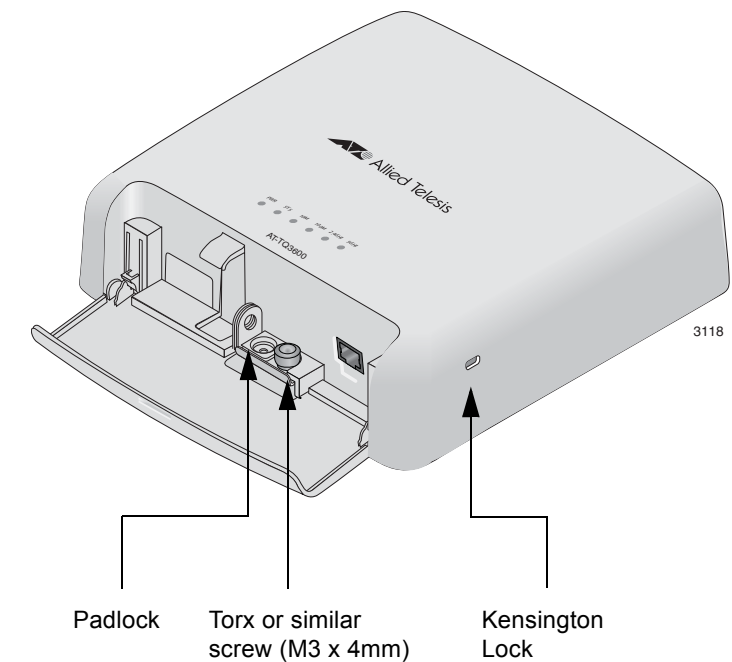
9. Slide the correct plug for your region into the slot on the adapter until it clicks into place.



10. Connect the adapter to an appropriate AC power source.

Installing Anti-theft Devices

The access point has holes for anti-theft devices. You may want to install one or more anti-theft devices if the access point is installed in a non-secure area. Anti-theft devices are not available from Allied Telesis. The holes for anti-theft devices are identified in this figure. A Kensington lock should be used when the device is installed on a table or desk. A padlock or Torx or similar screw works only when the device is installed on a wall or ceiling.



Starting the Initial Management Session

This section contains an abbreviated version of the procedure for starting the initial management session. For complete instructions, refer to the AT-TQ3600 installation Guide or AT-TQ Wireless Access Point Series User's Guide.

The wireless access point has a DHCP client. The default setting for the client is enabled. When you power on the access point for the first time, it queries the subnet on the LAN port for a DHCP server. If a DHCP server responds to its query, the unit uses the IP address the server assigns to it. If there is no DHCP server, the access point uses the default IP address 192.168.1.230.

To start the initial management session, perform the following procedure:

1. Start the web browser on your management workstation.
2. Enter in the URL field of the web browser the IP address of the wireless access point. The address is one of the following:
 - If your network does not have a DHCP server, enter the default address 192.168.1.230.
 - If your network has a DHCP server, enter the IP address the DHCP server assigned to the access point.

The wireless access point displays the logon prompt.



User Name	<input type="text"/>
Password	<input type="password"/>
<input type="button" value="Logon"/>	

3. Enter "manager" for the username and "friend" for the password. The username and password are case-sensitive.

Setting the Country Setting

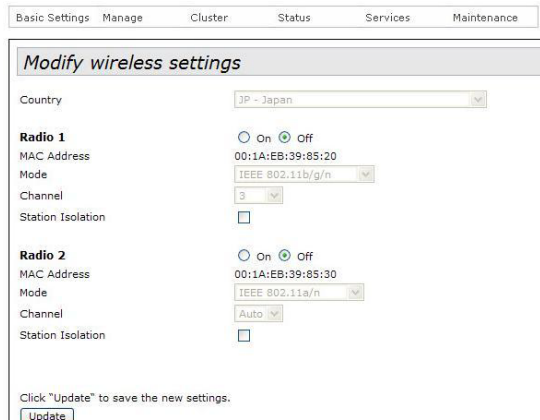
Note:

The non-US model of this product has a country code setting that must be set during the initial management session of the unit. The setting ensures that the unit operates in compliance with the laws and regulations of your country or region.

The country code for the US model is preset and cannot be changed. Per FCC regulations, the country code setting for all WiFi products marketed in the US must be fixed to US operational channels only.

To set the country setting, perform the following procedure:

1. Select Wireless Settings from the Manage menu.
The access point displays the "Modify wireless settings" window.



2. Select the Country pull-down menu and select your country or region.

Note:

If the Country pull-down menu is deactivated and cannot be changed, the country parameter was set when the unit was manufactured and cannot be changed. If the setting is not correct for your country or region, contact your Allied Telesis sales representative for assistance.

The access point displays a confirmation prompt.

3. Click OK to change the country setting or Cancel to cancel the procedure.

If you click OK, the access point changes the country setting and disables both radios on the access point. (The default setting for the radios is disabled.)

This procedure does not require clicking the Update button.

You must now reboot the access point. The new country setting is not active until the unit is rebooted. To reboot the unit, either power off and on the unit or continue with these steps:

4. From the Maintenance menu, select Configuration.
5. Click the Reboot button in the To Reboot the Access Point section of the "Manage the Access Point's Configuration" window.
6. When the access point displays a confirmation prompt, click OK to reboot the unit or Cancel to cancel the procedure.
7. To resume managing the unit, wait for it to complete initializing its management software and then start a new management session.

For more instructions on how to configure the features of the access point, refer to the AT-TQ Wireless Access Point Series User's Guide.

Federal Communication Commission Interference Statement

This device complies with Part 15 of the FCC Rules. Operation is subject to the following two conditions: (1) This device may not cause harmful interference, and (2) this device must accept any interference received, including interference that may cause undesired operation.

This equipment has been tested and found to comply with the limits for a Class B digital device, pursuant to Part 15 of the FCC Rules. These limits are designed to provide reasonable protection against harmful interference in a residential installation. This equipment generates, uses and can radiate radio frequency energy and, if not installed and used in accordance with the instructions, may cause harmful interference to radio communications. However, there is no guarantee that interference will not occur in a particular installation. If this equipment does cause harmful interference to radio or television reception, which can be determined by turning the equipment off and on, the user is encouraged to try to correct the interference by one of the following measures:

- Reorient or relocate the receiving antenna.
- Increase the separation between the equipment and receiver.
- Connect the equipment into an outlet on a circuit different from that to which the receiver is connected.
- Consult the dealer or an experienced radio/TV technician for help.

FCC Caution: Any changes or modifications not expressly approved by the party responsible for compliance could void the user's authority to operate this equipment.

This transmitter must not be co-located or operating in conjunction with any other antenna or transmitter.

For operation within 5.15 ~ 5.25GHz / 5.47 ~ 5.725GHz frequency range, it is restricted to indoor environment. The band from 5600-5650MHz will be disabled by the software during the manufacturing and cannot be changed by the end user. This device meets all the other requirements specified in Part 15E, Section 15.407 of the FCC Rules.

Radiation Exposure Statement

This equipment complies with FCC radiation exposure limits set forth for an uncontrolled environment. This equipment should be installed and operated with minimum distance 21cm between the radiator & your body.

Industry Canada Statement

This device complies with RSS-210 of the Industry Canada Rules. Operation is subject to the following two conditions: (1) This device may not cause harmful interference, and (2) this device must accept any interference received, including interference that may cause undesired operation.

Ce dispositif est conforme à la norme CNR-210 d'Industrie Canada applicable aux appareils radio exempts de licence. Son fonctionnement est sujet aux deux conditions suivantes: (1) le dispositif ne doit pas produire de brouillage préjudiciable, et (2) ce dispositif doit accepter tout brouillage reçu, y compris un brouillage susceptible de provoquer un fonctionnement indésirable.

Caution:

(i) the device for operation in the band 5150-5250 MHz is only for indoor use to reduce the potential for harmful interference to co-channel mobile satellite systems;

(ii) the maximum antenna gain permitted for devices in the bands 5250-5350 MHz and 5470-5725 MHz shall comply with the e.i.r.p. limit; and

(iii) the maximum antenna gain permitted for devices in the band 5725-5825 MHz shall comply with the e.i.r.p. limits specified for point-to-point and non point-to-point operation as appropriate.

(iv) Users should also be advised that high-power radars are allocated as primary users (i.e. priority users) of the bands 5250-5350 MHz and 5650-5850 MHz and that these radars could cause interference and/or damage to LE-LAN devices.

Avertissement:

Le guide d'utilisation des dispositifs pour réseaux locaux doit inclure des instructions précises sur les restrictions susmentionnées, notamment:

(i) les dispositifs fonctionnant dans la bande 5 150-5 250 MHz sont réservés uniquement pour une utilisation à l'intérieur afin de réduire les risques de brouillage préjudiciable aux systèmes de satellites mobiles utilisant les mêmes canaux;

(ii) le gain maximal d'antenne permis pour les dispositifs utilisant les bandes 5 250-5 350 MHz et 5 470-5 725 MHz doit se conformer à la limite de p.i.r.e.;

(iii) le gain maximal d'antenne permis (pour les dispositifs utilisant la bande 5 725-5 825 MHz) doit se conformer à la limite de p.i.r.e. spécifiée pour l'exploitation point à point et non point à point, selon le cas.

(iv) De plus, les utilisateurs devraient aussi être avisés que les utilisateurs de radars de haute puissance sont désignés utilisateurs principaux (c.-à-d., qu'ils ont la priorité) pour les bandes 5 250-5 350 MHz et 5 650-5 850 MHz et que ces radars pourraient causer du brouillage et/ou des dommages aux dispositifs LAN-EL.

Radiation Exposure Statement:

This equipment complies with IC radiation exposure limits set forth for an uncontrolled environment. This equipment should be installed and operated with minimum distance 21cm between the radiator & your body.

Déclaration d'exposition aux radiations:

Cet équipement est conforme aux limites d'exposition aux rayonnements IC établies pour un environnement non contrôlé. Cet équipement doit être installé et utilisé avec un minimum de 21 cm de distance entre la source de rayonnement et votre corps.

European Union Restriction of the Use of Certain Hazardous Substances (RoHS) in Electrical and Electronic Equipment

This Allied Telesis RoHS-compliant product conforms to the European Union Restriction of the Use of Certain Hazardous Substances (RoHS) in Electrical and Electronic Equipment. Allied Telesis ensures RoHS conformance by requiring supplier Declarations of Conformity, monitoring incoming materials, and maintaining manufacturing process controls.

Europe - EU Declaration of Conformity

This device complies with the essential requirements of the R&TTE Directive 1999/5/EC. The following test methods have been applied in order to prove presumption of conformity with the essential requirements of the R&TTE Directive 1999/5/EC:

- ☐ EN60950-1
Safety of Information Technology Equipment
- ☐ EN 300 328
Electromagnetic compatibility and Radio spectrum Matters (ERM); Wideband Transmission systems; Data transmission equipment operating in the 2,4 GHz ISM band and using spread spectrum modulation techniques; Harmonized EN covering essential requirements under article 3.2 of the R&TTE Directive,
- ☐ EN 301 893
Broadband Radio Access Networks (BRAN); 5 GHz high performance RLAN; Harmonized EN covering essential requirements of article 3.2 of the R&TTE Directive
- ☐ EN 301 489-1
Electromagnetic compatibility and Radio Spectrum Matters (ERM); ElectroMagnetic Compatibility (EMC) standard for radio equipment and services; Part 1: Common technical requirements.
- ☐ EN 301 489-17
Electromagnetic compatibility and Radio spectrum Matters (ERM); ElectroMagnetic Compatibility (EMC) standard for radio equipment and services; Part 17: Specific conditions for 2,4 GHz wideband transmission systems and 5 GHz high performance RLAN equipment

This device is a 5GHz wideband transmission system (transceiver), intended for use in all EU member states and EFTA countries, except in France and Italy where restrictive use applies.

In Italy the end-user should apply for a license at the national spectrum authorities in order to obtain authorization to use the device for setting up outdoor radio links and/or for supplying public access to telecommunications and/or network services.

This device may not be used for setting up outdoor radio links in France and in some areas the RF output power may be limited to 10 mW EIRP in the frequency range of 2454 - 2483.5 MHz. For detailed information the end-user should contact the national spectrum authority in France.



Česky [Czech]	Allied Telesis tímto prohlašuje, že tento wireless access point je ve shodě se základními požadavky a dalšími příslušnými ustanoveními směrnice 1999/5/ES.
Dansk [Danish]	Undertegnede Allied Telesis erklærer herved, at følgende udstyr wireless access point overholder de væsentlige krav og øvrige relevante krav i direktiv 1999/5/EF.
Deutsch [German]	Hiermit erkläre Allied Telesis, dass sich das Gerät wireless access point in Übereinstimmung mit den grundlegenden Anforderungen und den übrigen einschlägigen Bestimmungen der Richtlinie 1999/5/EG befindet.

Eesti [Estonian]	Käesolevaga kinnitab Allied Telesis seadme wireless access point vastavust direktiivi 1999/5/EÜ põhinõuetele ja nimetatud direktiivist tulenevatele teistele asjakohastele sätetele.
English	Hereby, Allied Telesis, declares that this wireless access point is in compliance with the essential requirements and other relevant provisions of Directive 1999/5/EC.
Español [Spanish]	Por medio de la presente Allied Telesis declara que el wireless access point cumple con los requisitos esenciales y cualesquiera otras disposiciones aplicables o exigibles de la Directiva 1999/5/CE.
Ελληνική [Greek]	ΜΕ ΤΗΝ ΠΑΡΟΥΣΑ Allied Telesis ΔΗΛΩΝΕΙ ΟΤΙ wireless access point ΣΥΜΜΟΡΦΩΝΕΤΑΙ ΠΡΟΣ ΤΙΣ ΟΥΣΙΩΔΕΙΣ ΑΠΑΙΤΗΣΕΙΣ ΚΑΙ ΤΙΣ ΛΟΙΠΕΣ ΣΧΕΤΙΚΕΣ ΔΙΑΤΑΞΕΙΣ ΤΗΣ ΟΔΗΓΙΑΣ 1999/5/ΕΚ.
Français [French]	Par la présente Allied Telesis déclare que l'appareil wireless access point est conforme aux exigences essentielles et aux autres dispositions pertinentes de la directive 1999/5/CE.
Italiano [Italian]	Con la presente Allied Telesis dichiara che questo wireless access point è conforme ai requisiti essenziali ed alle altre disposizioni pertinenti stabilite dalla direttiva 1999/5/CE.
Latviski [Latvian]	Ar šo Allied Telesis deklarē, ka wireless access point atbilst Direktīvas 1999/5/EK būtiskajām prasībām un citiem ar to saistītajiem noteikumiem.
Lietuvių [Lithuanian]	Šiuo Allied Telesis deklaruoja, kad šis wireless access point atitinka esminius reikalavimus ir kitas 1999/5/EB Direktyvos nuostatas.
Nederlands [Dutch]	Hierbij verklaart Allied Telesis dat het toestel wireless access point in overeenstemming is met de essentiële eisen en de andere relevante bepalingen van richtlijn 1999/5/EG.
Malti [Maltese]	Hawnhekk, Allied Telesis, jiddikjara li dan wireless access point jikkonforma mal-ftigijiet essenzjali u ma provvedimenti oħrajn rilevanti li hemm fid-Dirrettiva 1999/5/EC.
Magyar [Hungarian]	Alulírott, Allied Telesis nyilatkozom, hogy a wireless access point megfelel a vonatkozó alapvető követelményeknek és az 1999/5/EC irányelv egyéb előírásainak.
Polski [Polish]	Niniejszym Allied Telesis oświadcza, że wireless access point jest zgodny z zasadniczymi wymogami oraz pozostałymi stosownymi postanowieniami Dyrektywy 1999/5/EC.
Português [Portuguese]	Allied Telesis declara que este wireless access point está conforme com os requisitos essenciais e outras disposições da Directiva 1999/5/CE.
Slovensko [Slovenian]	Allied Telesis izjavlja, da je ta wireless access point v skladu z bistvenimi zahtevami in ostalimi relevantnimi določili direktive 1999/5/ES.
Slovensky [Slovak]	Allied Telesis týmto vyhlasuje, že wireless access point spĺňa základné požiadavky a všetky príslušné ustanovenia Smernice 1999/5/ES.
Suomi [Finnish]	Allied Telesis vakuuttaa täten että wireless access point tyypinen laite on direktiivin 1999/5/EY oleellisten vaatimusten ja sitä koskevien direktiivin muiden ehtojen mukainen.
Svenska [Swedish]	Härmed intygar Allied Telesis att denna wireless access point står i överensstämmelse med de väsentliga egenskapskrav och övriga relevanta bestämmelser som framgår av direktiv 1999/5/EG.

Product Specifications

Physical Specifications	
Dimensions (W x D x H)	200.0 mm x 200.0 mm x 66.0 mm (7.9 in. x 7.9 in. x 2.6 in.)
Weight	1.2 kg (2.6 lb.)
Environmental Specifications	
Operating Temperature of the Access Point When Using PoE	0° C to 45° C (32° F to 113° F)
Operating Temperature of the Access Point When Using the AC/DC Adapter	0° C to 40° C (32° F to 104° F)
Storage Temperature	-20° C to 70° C (-4° F to 158° F)
Operating Humidity	5% to 80% non-condensing
Storage Humidity	5% to 95% non-condensing
Maximum Power Consumption	
AT-TQ3600 Access Point	12 watts
AT-TQ0091 AC/DC Power Adapter	
Input Range	100~240 Vac
Input Frequency	47-63 Hz
Input Power Consumption (no load)	<0.3W max.
Output Voltage	+12 VDC
Output Current	2A max.

Copyright © 2014 Allied Telesis, Inc.

All rights reserved.

No part of this publication may be reproduced without prior written permission from Allied Telesis, Inc.

Allied Telesis and the Allied Telesis logo are trademarks of Allied Telesis, Incorporated. All other product names, company names, logos or other designations mentioned herein are trademarks or registered trademarks of their respective owners.

Allied Telesis, Inc. reserves the right to make changes in specifications and other information contained in this document without prior written notice. The information provided herein is subject to change without notice. In no event shall Allied Telesis, Inc. be liable for any incidental, special, indirect, or consequential damages whatsoever, including but not limited to lost profits, arising out of or related to this manual or the information contained herein, even if Allied Telesis, Inc. has been advised of, known, or should have known, the possibility of such damages.