

Classic Stand Fan

Owner's Manual



English

Models

90438

90439

44833-01
20130104
©2013 Hunter Fan Co.

SINCE 1886
Hunter[®]

TABLE OF CONTENTS

Introduction	3
Safety and Warnings.....	3
Grounding.....	5
Fused Plug	6
Unpacking.....	7
Base Assembly.....	7
Motor Assembly.....	8
Grill Assembly	9
Operation.....	11
Off / Speed Selection	11
Oscillation	11
Adjustment	11
Maintenance.....	12
Technical Support.....	13
Warranty.....	13
Products	15



INTRODUCTION

Thank you for choosing the Hunter Oscillating Stand Fan. This manual gives you complete instructions for assembling and using your fan. Here are some the features you will enjoy with your fan:

- ✓ An attractive design that enhances any decor
- ✓ A powerful motor for maximum air flow
- ✓ Three speeds to adjust your comfort level
- ✓ All metal construction
- ✓ Parts of this fan, including the blades and the grill, have been treated with Hunter's Dust Armor Protection, making them less likely to attract dust and dirt.

SAFETY AND WARNINGS

To reduce the risk of fire or electrical shock, **DO NOT** use this fan with any solid-state speed control device.

When using electrical appliances, basic precautions should always be taken to reduce the risk of fire, electric shock and personal injury:

Read all instructions before using this fan.

1. Improper installation may result in the risk of fire, electric shock or personal injury.
2. To prevent the risk of fire and electric shock, **DO NOT** use the unit near windows. Rain and moisture may create an electrical hazard.
3. The power plug must be removed from the power socket when not in use, before cleaning, servicing, maintenance and before moving to another location.
4. **DO NOT** put fan in a damp place or where humidity is high, such as a bathroom.
5. The fan should be placed on a flat, stable surface to avoid overturning.
6. Use fan only for intended use, as described in this instruction manual.
7. To protect against electrical shock, **DO NOT** immerse any part of the unit in water or spray with liquids.



8. Close supervision is necessary when any appliance is used near children.
9. NEVER insert fingers, pencils or any other objects through the grill when the fan is running.
10. DO NOT operate any appliance with a damaged cord or plug, after the appliance malfunctions or has been dropped or damaged in any manner.
11. To disconnect, grip plug and pull from wall outlet. NEVER yank on cord.
12. ALWAYS use on a dry surface.
13. This product is intended for household use only and not for commercial or industrial use.
14. DO NOT operate fan in the presence of explosive and/or flammable fumes.
15. DO NOT place fan or any parts near an open flame, cooking or any other heating appliances.
16. DO NOT use near curtains, plants, window treatments, etc.
17. This appliance has a grounded three-prong plug and is suitable for grounded receptacle use only. An adapter is available for connecting three-blade grounding-type plugs to two-slot receptacles. The adapter must be properly grounded. DO NOT attempt to defeat the purpose of this safety feature.
18. The rubber feet on this product may interact with wood and cause damage to furniture. Do not place on fine wood furniture.



GROUNDING

This appliance is for household use only and may be plugged into any 120-volt AC electrical outlet (ordinary household current). **DO NOT** use any other type of outlet.



WARNING

This unit is suitable for grounded receptacle use only.

The power cord has a grounded plug as shown in Figure 1, and must be used with an electrical outlet that can accommodate the grounding pin. If your electrical outlet can not accommodate the grounding pin, then you must purchase and install one of the two types of adapters shown in Figure 2.

NOTE: The adapters **ARE NOT** supplied with this fan. Read, follow, and save the instructions that are included with the adapter you choose. Do not use an adapter if your electrical outlet can accommodate the grounding pin.

LINE CORD SAFETY TIPS

1. **NEVER** pull or yank on the cord or the appliance.
2. To insert plug, grasp it firmly and guide it into the outlet.
3. To disconnect the appliance, grasp the plug and remove it from the outlet.
4. Before each use, inspect the line cord for cuts and/or abrasion marks. If any are found, the appliance should be serviced and the line cord replaced. Please return it to our Service Department or to an authorized service representative.
5. **NEVER** wrap the cord tightly around the appliance, as this could place undue stress on the cord where it enters the appliance and could cause it to fray and break.
6. **DO NOT** operate appliance if the line cord shows any damage, if the appliance works intermittently or stops working entirely.

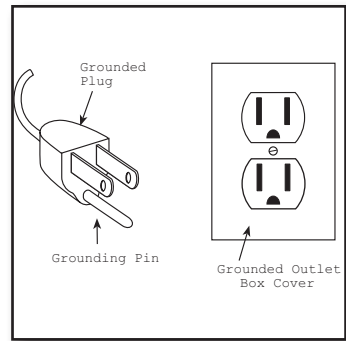


Figure 1

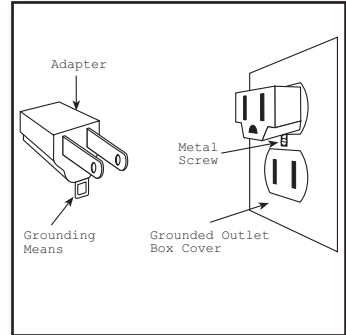


Figure 2

FUSED PLUG

This plug is a safety feature. It contains a safety device (fuse) that should not be removed. Discard product if the attachment plug is damaged. To reduce the risk of fire, electric shock and personal injury, **DO NOT** remove, replace, repair or tamper with the originally supplied plug. If the Fan does not function properly, it may be due to the safety device incorporated in this plug.

If the fuse fails, it is generally due to a short circuit or circuit overload. Replace the fuse as per the instructions below. **If the replacement fuse fails, immediately unplug the unit and contact our technical support department for assistance.**

Fuse Replacement:

1. To replace the fuse, first turn the unit off and unplug it from the wall. Locate the door on top of the plug. Figure 3.
2. Slide the door on top of the plug towards the blades. Figure 4.
3. Carefully remove the fuse from the clips holding it on the top and bottom. Figure 5.

Warning! Electrical Hazard! Only replace with a fuse type and rating matching what was removed from the product.

4. Gently push the fuse back into the pins that will hold it in place.

Note: If the fuse is not seated properly, the unit will not function.

5. Slide the Door back over the fuse box in the plug.
6. Plug the fan back in and resume use.

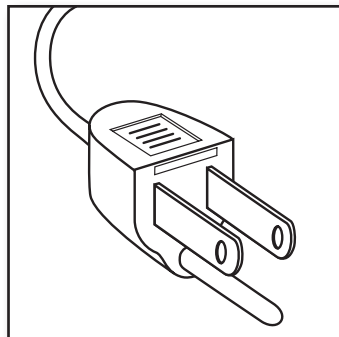


Figure 3

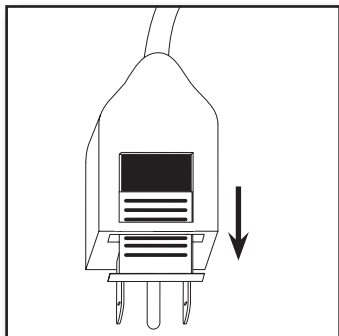


Figure 4

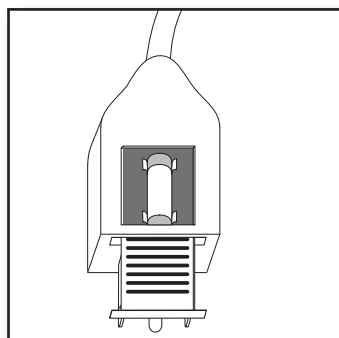


Figure 5

UNPACKING

As you unpack the fan, save the carton and packing materials in case you want to move or ship the unit in the future. Carefully remove all items from the box.

NOTE: It is best to have someone hold the box while you lift the fan and the protective packaging out of the carton. Make sure all shipping materials are removed from fan before operating.

BASE ASSEMBLY

1. Remove the height adjustment knob from telescoping pole by turning it counter clockwise. Also remove the cord clamp. Slide the base trim ring onto the pole. Reinstall the height adjustment knob and cord clamp. Figure 6.
2. Remove the L-shaped screw from the telescoping pole by turning it counter clockwise. Figure 7.
3. Insert the telescoping pole into the top of the base. Install the L-shaped screw into the threaded hole in the bottom of the pole to secure the pole to the base. Figure 7.
4. Tip the base back upright.
5. Grasp the telescoping pole firmly and twist the adjustment knob counter clockwise to loosen. Figure 9.
6. Raise the inner pole to maximum height and tighten the adjustment knob by twisting clockwise until secure. Figure 9.

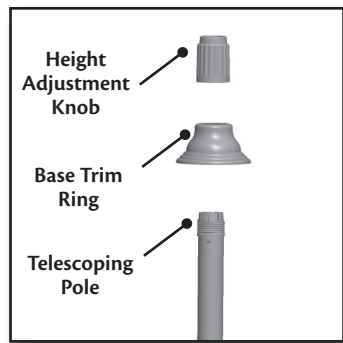


Figure 6

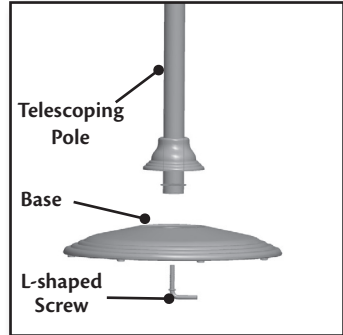


Figure 7

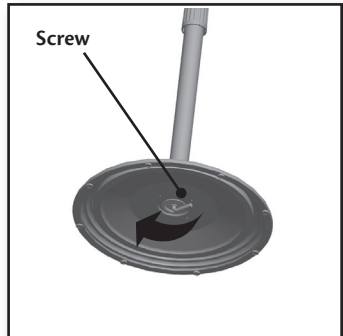


Figure 8

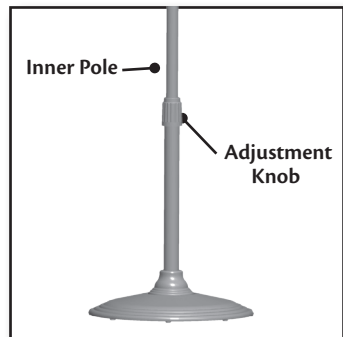


Figure 9

ATTACHING ASSEMBLY TO POLE

1. Press the clip buttons in completely while sliding the pole from the motor housing assembly into the inner pole until the clip buttons appear through the hole in the inner pole. Figure 10.

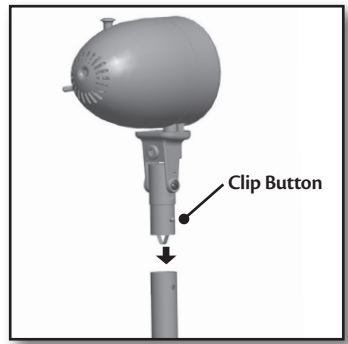


Figure 10

GRILL ASSEMBLY

Note: The trim ring may be attached to the front and rear grills for shipping purposes. If so, remove the trim ring by loosening the trim ring screw.

1. Remove the four grill mounting screws from the motor housing. Figure 11.
2. Make sure that the grill is positioned so that three of the grill lines are completely between the top tabs. Then place the Back Grill against the Motor Housing, Figure 12., and line up the four tabs on the back of the grill to the four screw holes on the front of the motor.
3. To attach the Back Grill to the Motor Housing partially install the four grill mounting screws. Tighten all four screws. Figure 13.

Note: One of the grill mounting screws will have a star washer on it, for grounding purposes. The other 3 screws will not have a washer.

4. Loosen the screw on the back of the Blade assembly. Figure 14a. Slide the Blade assembly onto the motor shaft. Figure 14.
5. Tighten the Screw on the Blade assembly to secure it to the Motor. Make sure that the end of the screw is positioned within the notch on the shaft. Figure 15.

Caution: Ensure when tightening the screw on the back of the fan blade, you tighten it on the flat part of the motor shaft.

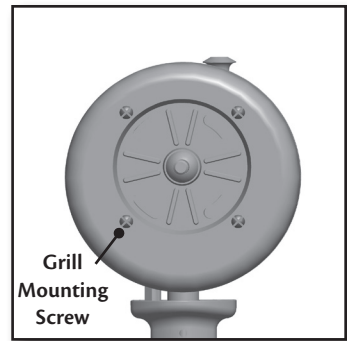


Figure 11

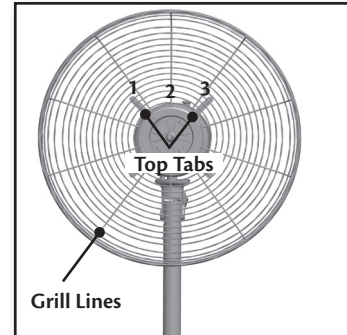


Figure 12

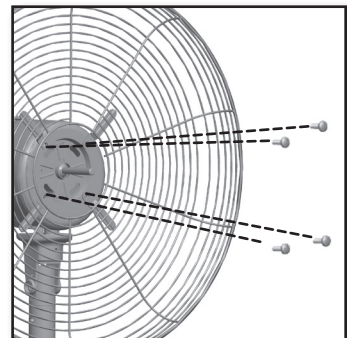


Figure 13

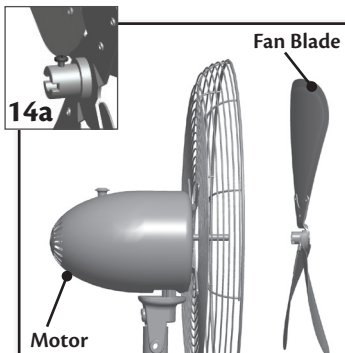


Figure 14

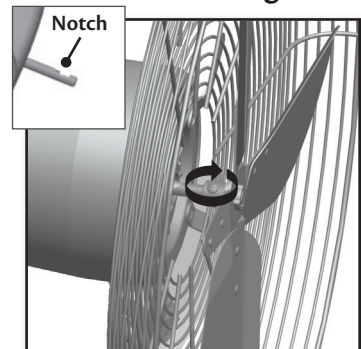


Figure 15

GRILL ASSEMBLY (CONT.)

- Remove the grill ring from the front grill by loosening the screw holding it.
- Place the front grill against the back grill so that the Hunter logo faces right side up and push together until the tabs on the grills hold them together. Figure 16.
- Expand the grill ring by loosening the screw that secures it. Figure 17.
- Slide the grill ring over both front and back grills turning the ring so that the screw that secures it, is on the bottom. Figure 17.
- Tighten the screw to secure the grill ring over both the front and back grill. Figure 18.
- Straighten the cord from the motor housing along the telescoping pole and snap the cord clip over the cord onto the pole so that the cord rests in the notch on the clip. Figure 19.

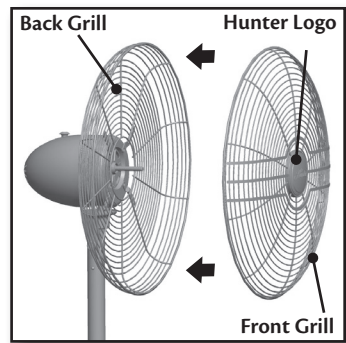


Figure 16

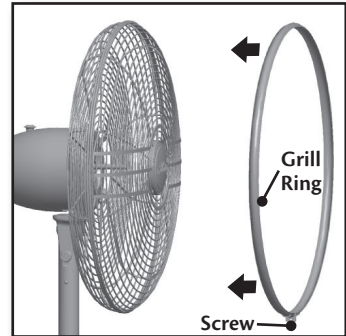


Figure 17

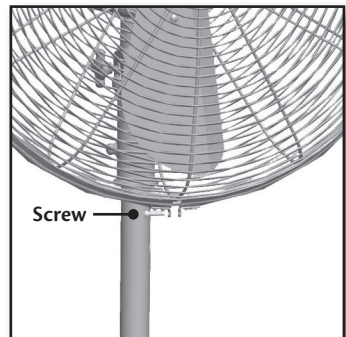


Figure 18

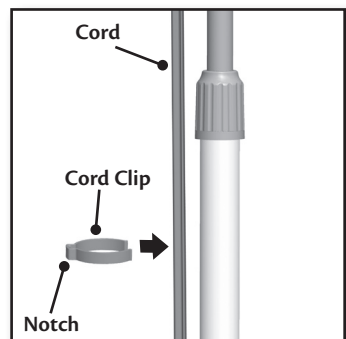


Figure 19

OPERATION

Off / Speed Selection

To turn the fan on and off or to control the speed, turn the speed knob on the top of the motor housing to the proper setting. Figure 20.

Oscillation

To allow the fan to oscillate, push the knob beside the fan speed control down. Pull up on the knob if oscillation is not desired. Figure 21.

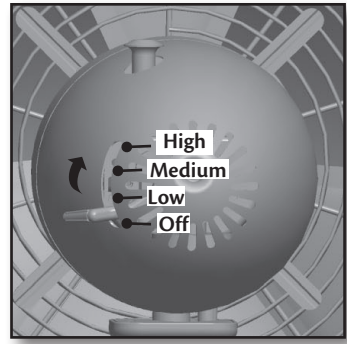


Figure 20

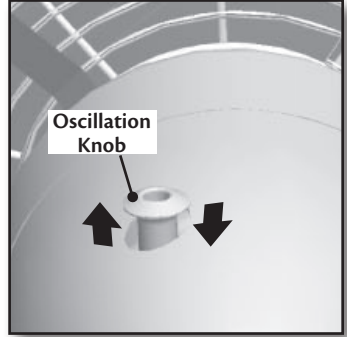


Figure 21

MAINTENANCE

This fan is permanently lubricated and will not require additional lubrication (oil) for the life of the fan.

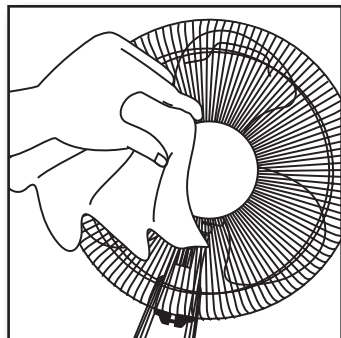
This fan requires little maintenance and contains no user serviceable parts. **DO NOT** try to fix it yourself. Contact qualified service personnel if servicing is needed.

Before cleaning, turn fan off and unplug from electrical outlet. Wipe off excess dust with a lintfree cloth. To ensure adequate air circulation to the motor, keep vents located at the rear of the motor free from dust accumulation. A vacuum cleaner hose can be used to clean these vents.

DO NOT immerse the fan in water or any other liquid.

CLEANING THE GRILL AND BLADE:

1. Turn the fan off and unplug from the electrical outlet.
 2. Disassemble the grills by loosening the screw holding the grill ring and remove it from the grills.
 3. Two tabs hold the front grill and back grill together. Pull the front grill from the back.
 4. The blade may be removed by loosening the screw holding it in place. Grills and blades may be cleaned with mild soap and water only after they have been removed from the motor housing.
 5. Use a dry or slightly damp lint free cloth to clean the fan. Do not use a furniture polish or any other cleaners that leave any residue, as they will damage the protective Dust Armor.
- ✓ Use a soft, slightly damp cloth to wipe the remaining fan parts.
 - ✓ **DO NOT** allow water or any other liquid to get into the motor housing or base.
 - ✓ Reassemble the fan after blades and grills have dried completely.
 - ✓ **DO NOT** plug the fan into an electrical outlet until it has been fully reassembled.



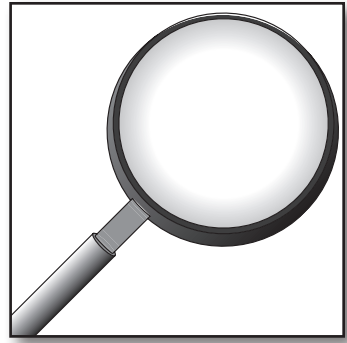
TROUBLESHOOTING

1. Problem

✓ Fan will not oscillate.

Solution

✓ Push down on the knob on top of motor housing to activate oscillation.



TECHNICAL SUPPORT

If you have any additional questions or problems with your Hunter Portable Fan, please call:

USA: 1-888-830-1326

Canada: 1-866-268-1936

Hours of operation are from 7:00 am to 7:00 pm Monday - Friday and 8:00 am to 5:00 pm on Saturday, Central Time. You may also contact us on the Internet at www.HunterFan.com.

WARRANTY

The Hunter Fan Company makes the following limited warranty to the user or consumer purchaser of this Hunter Portable Fan:

If your Hunter Portable Fan motor fails at any time within one year after the date of sale due to a defect in material or workmanship, labor to repair the defect will be provided free of charge at our nearest service center or our Service Department in Memphis, Tennessee. You will be responsible for labor costs after this one-year period. The foregoing limited warranty applies only to the motor itself, and does not apply to electronic controls such as remote controls, remote control receivers or transmitters used in conjunction with the motor. These electronic control items are included in the one year limited warranty below.

If any part of your Hunter Portable Fan other than the motor fails at any time within one year after the date of



sale due to a defect in material or workmanship, we will repair or, at our option, replace the defective part free of charge for parts and labor performed at our nearest service center or at our Service Department in Memphis, Tennessee.



IF THE USER OR CONSUMER PURCHASER CEASES TO OWN THE FAN, THIS WARRANTY AND ANY IMPLIED WARRANTY WHICH THEN REMAINS IN EFFECT, INCLUDING BUT NOT LIMITED TO ANY IMPLIED WARRANTY OF MERCHANTABILITY OR FITNESS FOR A PARTICULAR PURPOSE, ARE VOIDED. NO WARRANTY, EXPRESSED OR IMPLIED, INCLUDING ANY WARRANTY OF MERCHANTABILITY OR FITNESS FOR A PARTICULAR PURPOSE, IS MADE IN RESPECT TO THE GLASS GLOBES OR LIGHT BULBS OR THE FINISH ON ANY METAL PORTION OF THE FAN. THIS WARRANTY IS IN LIEU OF ALL OTHER EXPRESS WARRANTIES. THE DURATION OF ANY IMPLIED WARRANTY, INCLUDING, BUT NOT LIMITED TO ANY IMPLIED WARRANTY OF MERCHANTABILITY OR FITNESS FOR A PARTICULAR PURPOSE, IN RESPECT TO ANY HUNTER FAN MOTOR OR OTHER FAN PART, IS EXPRESSLY LIMITED TO THE PERIOD OF THE EXPRESS WARRANTY SET FORTH ABOVE FOR SUCH MOTORS AND OTHER PARTS.

This warranty is voided if your Hunter Fan is not purchased and used in the USA.

This warranty excludes and does not cover defects, malfunctions or failures of any Hunter Portable fan which were caused by repairs by persons not authorized by us, use of parts or accessories not authorized by us, mishandling, improper installation, modifications, or damage to the Hunter Portable fan while in your possession, or unreasonable use, including failure to provide reasonable and necessary maintenance.

To obtain servicing, contact the nearest Hunter authorized service center or the Hunter Fan Company Service Department, 7130 Goodlett Farms Pkwy. Suite 400, Memphis, Tennessee 38016. Please contact us before shipping your fan to us. If we authorize you to ship it to us, you will be responsible for all insurance and freight or other transportation charges to our factory service center. We will return your Hunter Fan freight prepaid. Your portable fan should be properly packed to avoid damage in transit since we will not be responsible

for any such damage. Proof of purchase is required when requesting warranty service. The purchaser must present sales receipt or other document that establishes proof of purchase.

IN NO EVENT SHALL HUNTER FAN COMPANY BE LIABLE FOR CONSEQUENTIAL OR INCIDENTAL DAMAGES.

SOME STATES DO NOT ALLOW LIMITATIONS ON HOW LONG AN IMPLIED WARRANTY LASTS OR THE EXCLUSION OR LIMITATION OF INCIDENTAL OR CONSEQUENTIAL DAMAGES SO THE ABOVE LIMITATION MAY NOT APPLY TO YOU.

THE WARRANTY GIVES YOU SPECIFIC LEGAL RIGHTS AND YOU MAY ALSO HAVE OTHER RIGHTS WHICH VARY FROM STATE TO STATE.



Hunter Company
7130 Goodlett Farms Pkwy., Suite 400
Memphis, Tennessee 38016