

165 VB

6" Polyglass woofer



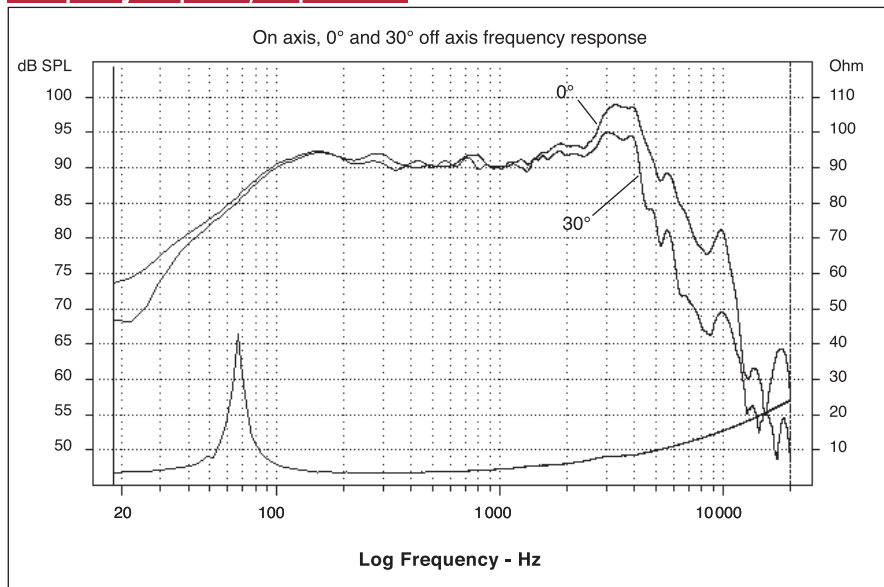
- Polyglass cone
- 80% ABS / 20% fiberglass basket
- Butyl surround



Specifications

Nominal power	70 W	
Maximum power	140 W	
Sensitivity (2.83V/m)	93 dB	
Cone	Polyglass	
Surround	Butyl	
Nom. impedance	4 ohm	
DC resistance	3.3 ohm	
VC diameter	25 mm	1 in
VC height	10 mm	0.4 in
Former	Kapton®	
Layers	2	
Wire	Copper	
Inductance	0.18 mH	
Xmax	2.5 mm	0.1 in
Magnet (dxh)	85 x 15 mm	3.35 x 0.59 in
Magnet weight	300 g	0.66 lb
Flux density	0.95 T	
Gap height	5 mm	0.20 in
Net weight	850 g	1.87 lb

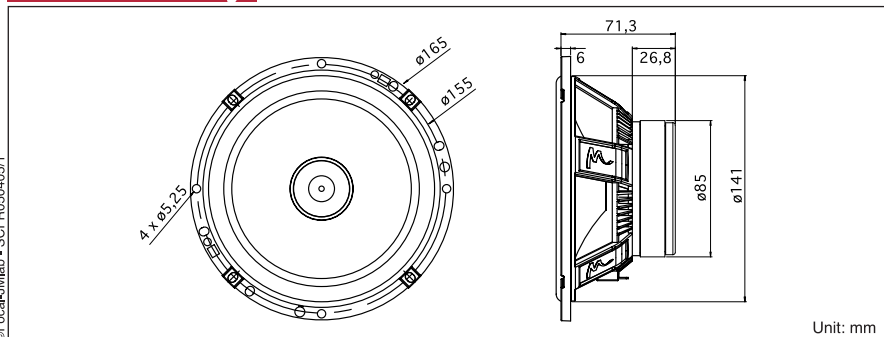
Frequency Response / Impedance



Parameters

Fs	72.64 Hz	
Vas	8.52 l	0.30 Ft³
Qts	0.803	
Qes	0.86	
Qms	12.23	
Re	3.2 ohm	
Sd	132.73 cm²	20.57 in²
Cas	6.07E-08 m⁵/N	
Mas	79.12 kg/m⁴	
Ras	2952.83 ohm.ac	
Cms	3.44E-04 m/N	
Mms	13.94 g	0.031 lb
Rms	520 g/s	
Ces	587 mF	
Les	8.18 mH	
Res	45.65 ohm	
BI	4.87 N/A	
SPL	87.64 dB/W/m	

Mechanical Drawing



Suggested application

Sealed	F-3 (Hz)	QI
30 l	65	7