

***TMS320DM647/DM648
Video Port/VCXO Interpolated Control (VIC)
Port***

User's Guide

Literature Number: SPRUEM1
May 2007

Preface	13
1 Overview	16
1.1 Video Port	17
1.2 Video Port FIFO	19
1.2.1 EDMA Interface	19
1.2.2 Video Capture FIFO Configurations.....	20
1.2.3 Video Display FIFO Configurations	23
1.3 Video Port Registers	25
1.4 Video Port Pin Mapping	26
1.4.1 VDIN Bus Usage for Capture Modes	27
1.4.2 VDOOUT Data Bus Usage for Display Modes.....	28
1.5 Video Port Pin Multiplexing	28
1.6 VideoPort Clocking	28
2 Video Port	29
2.1 Reset Operation	30
2.1.1 Power-On Reset	30
2.1.2 Peripheral Bus Reset	30
2.1.3 Software Port Reset.....	30
2.1.4 Capture Channel Reset.....	31
2.1.5 Display Channel Reset.....	31
2.2 Interrupt Operation	31
2.3 EDMA Operation	32
2.3.1 Capture EDMA Event Generation	32
2.3.2 Display EDMA Event Generation.....	33
2.3.3 EDMA Size and Threshold Restrictions	33
2.3.4 EDMA Interface Operation	34
2.4 Video Port Control Registers	34
2.4.1 Video Port Control Register (VPCTL).....	35
2.4.2 Video Port Status Register (VPSTAT)	37
2.4.3 Video Port Interrupt Enable Register (VPIE).....	38
2.4.4 Video Port Interrupt Status Register (VPIS)	40
3 Video Capture Port	45
3.1 Video Capture Mode Selection	46
3.2 BT.656 Video Capture Mode	46
3.2.1 BT.656 Capture Channels.....	46
3.2.2 BT.656 Timing Reference Codes.....	46
3.2.3 BT.656 Image Window and Capture	48
3.2.4 BT.656 Data Sampling	49
3.2.5 BT.656 FIFO Packing	49
3.3 Y/C Video Capture Mode	50
3.3.1 Y/C Capture Channels	50
3.3.2 Y/C Timing Reference Codes	50

3.3.3	Y/C Image Window and Capture	50
3.3.4	Y/C FIFO Packing	51
3.4	BT.656 and Y/C Mode Field and Frame Operation	51
3.4.1	Capture Determination and Notification	52
3.4.2	Vertical Synchronization	53
3.4.3	Horizontal Synchronization	55
3.4.4	Field Identification	56
3.4.5	Short and Long Field Detect	57
3.5	Video Input Filtering	57
3.5.1	Input Filter Modes	58
3.5.2	Chrominance Re-sampling Operation	58
3.5.3	Scaling Operation.....	58
3.5.4	Edge Pixel Replication	59
3.6	Ancillary Data Capture	60
3.6.1	Horizontal Ancillary (HANC) Data Capture.....	61
3.6.2	Vertical Ancillary (VANC) Data Capture	61
3.7	Raw Data Capture Mode	61
3.7.1	Raw Data Capture Notification.....	61
3.7.2	Raw Data FIFO Packing.....	62
3.8	TCI Capture Mode.....	63
3.8.1	TCI Capture Features	63
3.8.2	TCI Data Capture.....	63
3.8.3	TCI Capture Error Detection	64
3.8.4	Synchronizing the System Clock	64
3.8.5	TCI Data Capture Notification.....	65
3.8.6	Writing to the FIFO	66
3.8.7	Reading from the FIFO	66
3.9	Capture Line Boundary Conditions.....	67
3.10	Capturing Video in BT.656 or Y/C Mode	67
3.10.1	Handling FIFO Overrun in BT.656 or Y/C Mode	68
3.11	Capturing Video in Raw Data Mode	68
3.11.1	Handling FIFO Overrun Condition in Raw Data Mode	69
3.12	Capturing Data in TCI Capture Mode.....	69
3.12.1	Handling FIFO Overrun Condition in TCI Capture Mode.....	70
3.13	Video Capture Registers	70
3.13.1	Video Capture Channel x Status Register (VCASTAT, VCBSTAT)	71
3.13.2	Video Capture Channel A Control Register (VCACTL).....	72
3.13.3	Video Capture Channel x Field 1 Start Register (VCxSTRT1)	75
3.13.4	Video Capture Channel x Field 1 Stop Register (VCxSTOP1)	76
3.13.5	Video Capture Channel x Field 2 Start Register (VCxSTRT2)	77
3.13.6	Video Capture Channel x Field 2 Stop Register (VCxSTOP2)	78
3.13.7	Video Capture Channel x Vertical Interrupt Register (VCxVINT)	79
3.13.8	Video Capture Channel x Threshold Register (VCATHRLD, VCBTHRLD).....	80
3.13.9	Video Capture Channel x Event Count Register (VCxEVTCT).....	81
3.13.10	Video Capture Channel B Control Register (VCBCTL)	81
3.13.11	TCI Capture Control Register (TCICTL)	84
3.13.12	TCI Clock Initialization LSB Register (TCICLKINITL)	85
3.13.13	TCI Clock Initialization MSB Register (TCICLKINITM).....	86

3.13.14	TCI System Time Clock LSB Register (TCISTCLKL)	86
3.13.15	TCI System Time Clock MSB Register (TCISTCLKM).....	87
3.13.16	TCI System Time Clock Compare LSB Register (TCISTCMPL)	88
3.13.17	TCI System Time Clock Compare MSB Register (TCISTCMPM)	88
3.13.18	TCI System Time Clock Compare Mask LSB Register (TCISTMSKL)	89
3.13.19	TCI System Time Clock Compare Mask MSB Register (TCISTMSKM).....	89
3.13.20	TCI System Time Clock Ticks Interrupt Register (TCITICKS)	90
3.14	Video Capture FIFO Registers	91
4	Video Display Port	92
4.1	Video Display Mode Selection	93
4.1.1	Image Timing.....	93
4.1.2	Video Display Counters.....	96
4.1.3	Sync Signal Generation.....	98
4.1.4	External Sync Operation.....	98
4.1.5	Port Sync Operation.....	98
4.2	BT.656 Video Display Mode	98
4.2.1	Display Timing Reference Codes	99
4.2.2	Blanking Codes.....	101
4.2.3	BT.656 Image Display	101
4.2.4	BT.656 FIFO Unpacking	101
4.3	Y/C Video Display Mode	102
4.3.1	Y/C Display Timing Reference Codes.....	102
4.3.2	Y/C Blanking Codes	102
4.3.3	Y/C Image Display	102
4.3.4	Y/C FIFO Unpacking.....	103
4.4	Video Output Filtering	103
4.4.1	Output Filter Modes.....	103
4.4.2	Chrominance Re-sampling Operation	104
4.4.3	Scaling Operation	104
4.4.4	Edge Pixel Replication	105
4.5	Ancillary Data Display	106
4.5.1	Horizontal Ancillary (HANC) Data Display	106
4.5.2	Vertical Ancillary (VANC) Data Display	106
4.6	Raw Data Display Mode	106
4.6.1	Raw Mode RGB Output Support.....	107
4.6.2	Raw Data FIFO Unpacking	107
4.7	Video Display Field and Frame Operation	108
4.7.1	Display Determination and Notification.....	108
4.7.2	Video Display Event Generation	109
4.8	Display Line Boundary Conditions	109
4.9	Display Timing Examples	110
4.9.1	Interlaced BT.656 Timing Example	110
4.9.2	Interlaced Raw Display Example.....	113
4.9.3	Y/C Progressive Display Example	116
4.10	Displaying Video in BT.656 or Y/C Mode	119
4.11	Displaying Video in Raw Data Mode	120
4.11.1	Handling Under-run Condition of the Display FIFO	121

4.12	Video Display Registers	122
4.12.1	Video Display Status Register (VDSTAT)	122
4.12.2	Video Display Control Register (VDCTL)	123
4.12.3	Video Display Frame Size Register (VDFRMSZ)	127
4.12.4	Video Display Horizontal Blanking Register (VDHBLNK)	127
4.12.5	Video Display Field 1 Vertical Blanking Start Register (VDVBLKS1)	128
4.12.6	Video Display Field 1 Vertical Blanking End Register (VDVBLKE1)	129
4.12.7	Video Display Field 2 Vertical Blanking Start Register (VDVBLKS2)	130
4.12.8	Video Display Field 2 Vertical Blanking End Register (VDVBLKE2)	131
4.12.9	Video Display Field 1 Image Offset Register (VDIMGOFF1)	132
4.12.10	Video Display Field 1 Image Size Register (VDIMGSZ1)	133
4.12.11	Video Display Field 2 Image Offset Register (VDIMGOFF2)	134
4.12.12	Video Display Field 2 Image Size Register (VDIMGSZ2)	135
4.12.13	Video Display Field 1 Timing Register (VDFLDT1)	135
4.12.14	Video Display Field 2 Timing Register (VDFLDT2)	136
4.12.15	Video Display Threshold Register (VDTHRLD)	137
4.12.16	Video Display Horizontal Synchronization Register (VDHSYNC)	138
4.12.17	Video Display Field 1 Vertical Synchronization Start Register (VDVSYNS1)	138
4.12.18	Video Display Field 1 Vertical Synchronization End Register (VDVSYNE1)	139
4.12.19	Video Display Field 2 Vertical Synchronization Start Register (VDVSYNS2)	140
4.12.20	Video Display Field 2 Vertical Synchronization End Register (VDVSYNE2)	140
4.12.21	Video Display Counter Reload Register (VDRELOAD)	141
4.12.22	Video Display Event Register (VDDISPEVT)	142
4.12.23	Video Display Clipping Register (VDCLIP)	142
4.12.24	Video Display Default Display Value Register (VDDEFVAL)	143
4.12.25	Video Display Vertical Interrupt Register (VDVINT)	144
4.12.26	Video Display Field Bit Register (VDFBIT)	145
4.12.27	Video Display Field 1 Vertical Blanking Bit Register (VDVBIT1)	146
4.12.28	Video Display Field 2 Vertical Blanking Bit Register (VDVBIT2)	147
4.13	Video Display Registers Recommended Values	148
4.14	Video Display FIFO Registers	149
5	General-Purpose I/O Operation	150
5.1	GPIO Registers	151
5.1.1	Video Port Peripheral Identification Register (VPPID)	152
5.1.2	Video Port Peripheral Control Register (PCR)	153
5.1.3	Video Port Pin Function Register (PFUNC)	154
5.1.4	Video Port Pin Direction Register (PDIR)	156
5.1.5	Video Port Pin Data Input Register (PDIN)	158
5.1.6	Video Port Pin Data Output Register (PDOUT)	159
5.1.7	Video Port Pin Data Set Register (PDSET)	161
5.1.8	Video Port Pin Data Clear Register (PDCLR)	162
5.1.9	Video Port Pin Interrupt Enable Register (PIEN)	163
5.1.10	Video Port Pin Interrupt Polarity Register (PIPOL)	164
5.1.11	Video Port Pin Interrupt Status Register (PISTAT)	165
5.1.12	Video Port Pin Interrupt Clear Register (PICLR)	166
6	VCXO Interpolated Control Port	167
6.1	Overview	168
6.2	Interface	168

6.3	Operational Details	169
6.4	Enabling VIC Port	170
6.5	VIC Port Registers	170
6.5.1	VIC Control Register (VICCTL).....	171
6.5.2	VIC Input Register (VICIN).....	172
6.5.3	VIC Clock Divider Register (VICDIV)	173

List of Figures

1-1	Video Port Block Diagram.....	18
1-2	BT.656 Video Capture FIFO Configuration	20
1-3	8-Bit Raw Video Capture and TCI Video Capture FIFO Configuration.....	21
1-4	Y/C Video Capture FIFO Configuration	22
1-5	16-Bit Raw Video Capture FIFO Configuration.....	23
1-6	BT.656 Video Display FIFO Configuration	23
1-7	8-Bit Raw Video Display FIFO Configuration	23
1-8	8-Bit Locked Raw Video Display FIFO Configuration	24
1-9	16-Bit Raw Video Display FIFO Configuration	24
1-10	Y/C Video Display FIFO Configuration	25
2-1	Video Port Control Register (VPCTL)	35
2-2	Video Port Status Register (VPSTAT).....	37
2-3	Video Port Interrupt Enable Register (VPIE)	38
2-4	Video Port Interrupt Status Register (VPIS)	40
3-1	Video Capture Parameters.....	48
3-2	8-Bit BT.656 FIFO Packing	50
3-3	8-Bit Y/C FIFO Packing.....	51
3-4	VCOUNT Operation Example (EXC = 0).....	54
3-5	HCOUNT Operation Example (EXC = 0)	55
3-6	HCOUNT Operation Example (EXC = 1)	56
3-7	Field 1 Detection Timing.....	57
3-8	Chrominance Re-sampling	58
3-9	1/2 Scaled Co-Sited Filtering	59
3-10	1/2 Scaled Chrominance Re-sampled Filtering	59
3-11	Edge Pixel Replication.....	60
3-12	Capture Window Not Requiring Edge Pixel Replication	60
3-13	8-Bit Raw Data FIFO Packing	62
3-14	16-Bit Raw Data FIFO Packing.....	63
3-15	Parallel TCI Capture	64
3-16	Program Clock Reference (PCR) Header Format	64
3-17	System Time Clock Counter Operation	65
3-18	TCI FIFO Packing	66
3-19	TCI Timestamp Format (Little Endian)	66
3-20	Capture Line Boundary Example.....	67
3-21	Video Capture Channel x Status Register (VCxSTAT).....	71
3-22	Video Capture Channel A Control Register (VCACTL)	73
3-23	Video Capture Channel x Field 1 Start Register (VCxSTRT1)	76
3-24	Video Capture Channel x Field 1 Stop Register (VCxSTOP1).....	77
3-25	Video Capture Channel x Field 2 Start Register (VCxSTRT2)	77
3-26	Video Capture Channel x Field 2 Stop Register (VCxSTOP2).....	78
3-27	Video Capture Channel x Vertical Interrupt Register (VCxVINT)	79
3-28	Video Capture Channel x Threshold Register (VCxTHRLD)	80
3-29	Video Capture Channel x Event Count Register (VCxEVTCT)	81
3-30	Video Capture Channel B Control Register (VCBCTL)	82
3-31	TCI Capture Control Register (TCICTL).....	84
3-32	TCI Clock Initialization LSB Register (TCICLKINITL)	85
3-33	TCI Clock Initialization MSB Register (TCICLKINITM)	86
3-34	TCI System Time Clock LSB Register (TCISTCLKL)	87
3-35	TCI System Time Clock MSB Register (TCISTCLKM)	87
3-36	TCI System Time Clock Compare LSB Register (TCISTCMPL).....	88
3-37	TCI System Time Clock Compare MSB Register (TCISTCMPM)	88
3-38	TCI System Time Clock Compare Mask LSB Register (TCISTMSKL).....	89

3-39	TCI System Time Clock Compare Mask MSB Register (TCISTMSKM)	90
3-40	TCI System Time Clock Ticks Interrupt Register (TCITICKS).....	90
4-1	NTSC Compatible Interlaced Display.....	93
4-2	SMPTE 296M Compatible Progressive Scan Display.....	94
4-3	Interlaced Blanking Intervals and Video Areas.....	95
4-4	Progressive Blanking Intervals and Video Area.....	96
4-5	Horizontal Blanking and Horizontal Sync Timing	97
4-6	Vertical Blanking, Sync and Even/Odd Frame Signal Timing	97
4-7	Video Display Module Synchronization Chain.....	98
4-8	BT.656 Output Sequence	98
4-9	525/60 BT.656 Horizontal Blanking Timing	99
4-10	625/50 BT.656 Horizontal Blanking Timing	99
4-11	Digital Vertical F and V Transitions.....	100
4-12	8-Bit BT.656 FIFO Unpacking.....	101
4-13	Y/C Horizontal Blanking Timing (BT.1120 60I)	102
4-14	8-Bit Y/C FIFO Unpacking	103
4-15	Chrominance Re-sampling	104
4-16	2x Co-Sited Scaling	104
4-17	2x Interspersed Scaling	105
4-18	Output Edge Pixel Replication	105
4-19	Luma Edge Replication	105
4-20	Interspersed Chroma Edge Replication.....	106
4-21	8-Bit Raw FIFO Unpacking	107
4-22	16-Bit Raw FIFO Unpacking.....	107
4-23	8-Bit Raw FIFO Unpacking	107
4-24	Display Line Boundary Example	110
4-25	BT.656 Interlaced Display Horizontal Timing Example	111
4-26	BT.656 Interlaced Display Vertical Timing Example	113
4-27	Raw Interlaced Display Horizontal Timing Example	114
4-28	Raw Interlaced Display Vertical Timing Example.....	115
4-29	Y/C Progressive Display Horizontal Timing Example	117
4-30	Y/C Progressive Display Vertical Timing Example	118
4-31	Video Display Status Register (VDSTAT)	123
4-32	Video Display Control Register (VDCTL)	124
4-33	Video Display Frame Size Register (VDFRMSZ).....	127
4-34	Video Display Horizontal Blanking Register (VDHBLNK)	128
4-35	Video Display Field 1 Vertical Blanking Start Register (VDVBLKS1)	129
4-36	Video Display Field 1 Vertical Blanking End Register (VDVBLKE1)	129
4-37	Video Display Field 2 Vertical Blanking Start Register (VDVBLKS2)	130
4-38	Video Display Field 2 Vertical Blanking End Register (VDVBLKE2)	131
4-39	Video Display Field 1 Image Offset Register (VDIMGOFF1)	132
4-40	Video Display Field 1 Image Size Register (VDIMGSZ1)	133
4-41	Video Display Field 2 Image Offset Register (VDIMGOFF2)	134
4-42	Video Display Field 2 Image Size Register (VDIMGSZ2)	135
4-43	Video Display Field 1 Timing Register (VDFLDT1)	136
4-44	Video Display Field 2 Timing Register (VDFLDT2)	136
4-45	Video Display Threshold Register (VDTHRLD).....	137
4-46	Video Display Horizontal Synchronization Register (VDHSYNC)	138
4-47	Video Display Field 1 Vertical Synchronization Start Register (VDVSYNS1).....	139
4-48	Video Display Field 1 Vertical Synchronization End Register (VDVSYNE1)	139
4-49	Video Display Field 2 Vertical Synchronization Start Register (VDVSYNS2).....	140
4-50	Video Display Field 2 Vertical Synchronization End Register (VDVSYNE2)	141
4-51	Video Display Counter Reload Register (VDRELOAD).....	141

4-52	Video Display Event Register (VDDISPEVT)	142
4-53	Video Display Clipping Register (VDCLIP)	143
4-54	Video Display Default Display Value Register (VDDEFVAL)	144
4-55	Video Display Default Display Value Register (VDDEFVAL) - Raw Data Mode	144
4-56	Video Display Vertical Interrupt Register (VDVINT).....	145
4-57	Video Display Field Bit Register (VDFBIT)	146
4-58	Video Display Field 1 Vertical Blanking Bit Register (VDVBIT1)	146
4-59	Video Display Field 2 Vertical Blanking Bit Register (VDVBIT2)	147
5-1	Video Port Peripheral Identification Register (VPPID)	152
5-2	Video Port Peripheral Control Register (PCR).....	153
5-3	Video Port Pin Function Register (PFUNC)	154
5-4	Video Port Pin Direction Register (PDIR).....	156
5-5	Video Port Pin Data Input Register (PDIN).....	158
5-6	Video Port Pin Data Output Register (PDOUT).....	159
5-7	Video Port Pin Data Set Register (PDSET)	161
5-8	Video Port Pin Data Clear Register (PDCLR).....	162
5-9	Video Port Pin Interrupt Enable Register (PIEN)	163
5-10	Video Port Pin Interrupt Polarity Register (PIPOL).....	164
5-11	Video Port Pin Interrupt Status Register (PISTAT).....	165
5-12	Video Port Pin Interrupt Clear Register (PICLR)	166
6-1	TCI System Block Diagram.....	168
6-2	Program Clock Reference (PCR) Header Format.....	169
6-3	VIC Control Register (VICCTL)	171
6-4	VIC Input Register (VICIN)	172
6-5	VIC Clock Divider Register (VICDIV).....	173

List of Tables

1-1	Video Capture Signal Mapping	26
1-2	Video Display Signal Mapping	26
1-3	VDIN Data Bus Usage for Capture Modes	27
1-4	VDOOUT Data Bus Usage for Display Modes	28
2-1	Video Port Control Registers	34
2-2	Video Port Control Register (VPCTL) Field Descriptions	35
2-3	Video Port Operating Mode Selection	36
2-4	Video Port Status Register (VPSTAT) Field Descriptions	37
2-5	Video Port Interrupt Enable Register (VPIE) Field Descriptions	38
2-6	Video Port Interrupt Status Register (VPIS) Field Descriptions	40
3-1	Video Capture Mode Selection	46
3-2	BT.656 Video Timing Reference Codes.....	47
3-3	BT.656 Protection Bits	47
3-4	Error Correction by Protection Bits	47
3-5	Common Video Source Parameters	49
3-6	BT.656 and Y/C Mode Capture Operation	52
3-7	Vertical Synchronization Programming.....	53
3-8	Horizontal Synchronization Programming.....	55
3-9	Field Identification Programming	56
3-10	Input Filter Mode Selection	58
3-11	Raw Data Mode Capture Operation	62
3-12	TCI Capture Mode Operation.....	65
3-13	Video Capture Control Registers	70
3-14	Video Capture Channel x Status Register (VCxSTAT) Field Descriptions	72
3-15	Video Capture Channel A Control Register (VCACTL) Field Descriptions	73
3-16	Video Capture Channel x Field 1 Start Register (VCxSTRT1) Field Descriptions.....	76
3-17	Video Capture Channel x Field 1 Stop Register (VCxSTOP1) Field Descriptions	77
3-18	Video Capture Channel x Field 2 Start Register (VCxSTRT2) Field Descriptions.....	78
3-19	Video Capture Channel x Field 2 Stop Register (VCxSTOP2) Field Descriptions	78
3-20	Video Capture Channel x Vertical Interrupt Register (VCxVINT) Field Descriptions.....	79
3-21	Video Capture Channel x Threshold Register (VCxTHRLD) Field Descriptions.....	80
3-22	Video Capture Channel x Event Count Register (VCxEVTCT) Field Descriptions	81
3-23	Video Capture Channel B Control Register (VCBCTL) Field Descriptions	82
3-24	TCI Capture Control Register (TCICTL) Field Descriptions	84
3-25	TCI Clock Initialization LSB Register (TCICLKINITL) Field Descriptions	85
3-26	TCI Clock Initialization MSB Register (TCICLKINITM) Field Descriptions.....	86
3-27	TCI System Time Clock LSB Register (TCISTCLKL) Field Descriptions	87
3-28	TCI System Time Clock MSB Register (TCISTCLKM) Field Descriptions.....	87
3-29	TCI System Time Clock Compare LSB Register (TCISTCMPL) Field Descriptions	88
3-30	TCI System Time Clock Compare MSB Register (TCISTCMPM) Field Descriptions	89
3-31	TCI System Time Clock Compare Mask LSB Register (TCISTMSKL) Field Descriptions	89
3-32	TCI System Time Clock Compare Mask MSB Register (TCISTMSKM) Field Descriptions.....	90
3-33	TCI System Time Clock Ticks Interrupt Register (TCITICKS) Field Descriptions	90
3-34	Video Capture FIFO Registers	91
3-35	Video Capture FIFO Registers Function	91
4-1	Video Display Mode Selection.....	93
4-2	BT.656 Frame Timing	100
4-3	Output Filter Mode Selection	103
4-4	Display Operation.....	108

4-5	Video Display Control Registers	122
4-6	Video Display Status Register (VDSTAT) Field Descriptions	123
4-7	Video Display Control Register (VDCTL) Field Descriptions.....	124
4-8	Video Display Frame Size Register (VDFRMSZ) Field Descriptions	127
4-9	Video Display Horizontal Blanking Register (VDHBLNK) Field Descriptions	128
4-10	Video Display Field 1 Vertical Blanking Start Register (VDVBLKS1) Field Descriptions.....	129
4-11	Video Display Field 1 Vertical Blanking End Register (VDVBLKE1) Field Descriptions	130
4-12	Video Display Field 2 Vertical Blanking Start Register (VDVBLKS2) Field Descriptions.....	130
4-13	Video Display Field 2 Vertical Blanking End Register (VDVBLKE2) Field Descriptions	131
4-14	Video Display Field 1 Image Offset Register (VDIMGOFF1) Field Descriptions	132
4-15	Video Display Field 1 Image Size Register (VDIMGSZ1) Field Descriptions	133
4-16	Video Display Field 2 Image Offset Register (VDIMGOFF2) Field Descriptions	134
4-17	Video Display Field 2 Image Size Register (VDIMGSZ2) Field Descriptions	135
4-18	Video Display Field 1 Timing Register (VDFLDT1) Field Descriptions	136
4-19	Video Display Field 2 Timing Register (VDFLDT2) Field Descriptions	136
4-20	Video Display Threshold Register (VDTHRLD) Field Descriptions	137
4-21	Video Display Horizontal Synchronization Register (VDHSYNC) Field Descriptions	138
4-22	Video Display Field 1 Vertical Synchronization Start Register (VDVSYSN1) Field Descriptions	139
4-23	Video Display Field 1 Vertical Synchronization End Register (VDVSYNE1) Field Descriptions	139
4-24	Video Display Field 2 Vertical Synchronization Start Register (VDVSYSN2) Field Descriptions	140
4-25	Video Display Field 2 Vertical Synchronization End Register (VDVSYNE2) Field Descriptions	141
4-26	Video Display Counter Reload Register (VDRELOAD) Field Descriptions	141
4-27	Video Display Event Register (VDDISPEVT) Field Descriptions	142
4-28	Video Display Clipping Register (VDCLIP) Field Descriptions.....	143
4-29	Video Display Default Display Value Register (VDDEFVAL) Field Descriptions	144
4-30	Video Display Vertical Interrupt Register (VDVINT) Field Descriptions	145
4-31	Video Display Field Bit Register (VDFBIT) Field Descriptions	146
4-32	Video Display Field 1 Vertical Blanking Bit Register (VDVBIT1) Field Descriptions.....	147
4-33	Video Display Field 2 Vertical Blanking Bit Register (VDVBIT2) Field Descriptions.....	147
4-34	Video Display Register Recommended Values	148
4-35	Video Display FIFO Registers.....	149
4-36	Video Display FIFO Registers Function	149
5-1	Video Port Registers	151
5-2	Video Port Peripheral Identification Register (VPPID) Field Descriptions.....	152
5-3	Video Port Peripheral Control Register (PCR) Field Descriptions.....	153
5-4	Video Port Pin Function Register (PFUNC) Field Descriptions.....	154
5-5	Video Port Pin Direction Register (PDIR) Field Descriptions	156
5-6	Video Port Pin Data Input Register (PDIN) Field Descriptions	158
5-7	Video Port Pin Data Out Register (PDOUT) Field Descriptions	159
5-8	Video Port Pin Data Set Register (PDSET) Field Descriptions.....	161
5-9	Video Port Pin Data Clear Register (PDCLR) Field Descriptions	162
5-10	Video Port Pin Interrupt Enable Register (PIEN) Field Descriptions.....	163
5-11	Video Port Pin Interrupt Polarity Register (PIPOL) Field Descriptions.....	164
5-12	Video Port Pin Interrupt Status Register (PISTAT) Field Descriptions	165
5-13	Video Port Pin Interrupt Clear Register (PICLR) Field Descriptions	166
6-1	VIC Port Interface Signals	168
6-2	Example Values for Interpolation Rate.....	169
6-3	VIC Port Registers	170
6-4	VIC Control Register (VICCTL) Field Descriptions	171
6-5	VIC Input Register (VICIN) Field Descriptions	172
6-6	VIC Clock Divider Register (VICDIV) Field Descriptions	173

Read This First

About This Manual

This document describes the video port and VCXO interpolated control (VIC) port in the digital signal processors (DSPs).

Notational Conventions

This document uses the following conventions.

- Hexadecimal numbers are shown with the suffix h. For example, the following number is 40 hexadecimal (decimal 64): 40h.
- Registers in this document are shown in figures and described in tables.
 - Each register figure shows a rectangle divided into fields that represent the fields of the register. Each field is labeled with its bit name, its beginning and ending bit numbers above, and its read/write properties below. A legend explains the notation used for the properties.
 - Reserved bits in a register figure designate a bit that is used for future device expansion.

Related Documentation From Texas Instruments

The following documents describe the TMS320DM647/DM648 Digital Signal Processor (DSP). Copies of these documents are available on the Internet at www.ti.com. *Tip:* Enter the literature number in the search box provided at www.ti.com.

[SPRS372](#) — *TMS320DM647/DM648 Digital Media Processor Data Manual* describes the signals, specifications and electrical characteristics of the device.

[SPRU732](#) — *TMS320C64x/C64x+ DSP CPU and Instruction Set Reference Guide* describes the CPU architecture, pipeline, instruction set, and interrupts for the TMS320C64x and TMS320C64x+ digital signal processors (DSPs) of the TMS320C6000 DSP family. The C64x/C64x+ DSP generation comprises fixed-point devices in the C6000 DSP platform. The C64x+ DSP is an enhancement of the C64x DSP with added functionality and an expanded instruction set.

[SPRUEK5](#) — *TMS320DM647/DM648 DSP DDR2 Memory Controller User's Guide* describes the DDR2 memory controller in the TMS320DM647/DM648 Digital Signal Processor (DSP). The DDR2/mDDR memory controller is used to interface with JESD79D-2A standard compliant DDR2 SDRAM devices and standard Mobile DDR SDRAM devices.

[SPRUEK6](#) — *TMS320DM647/DM648 DSP External Memory Interface (EMIF) User's Guide* describes the operation of the asynchronous external memory interface (EMIF) in the TMS320DM647/DM648 Digital Signal Processor (DSP). The EMIF supports a glueless interface to a variety of external devices.

[SPRUEK7](#) — *TMS320DM647/DM648 DSP General-Purpose Input/Output (GPIO) User's Guide* describes the general-purpose input/output (GPIO) peripheral in the TMS320DM647/DM648 Digital Signal Processor (DSP). The GPIO peripheral provides dedicated general-purpose pins that can be configured as either inputs or outputs. When configured as an input, you can detect the state of the input by reading the state of an internal register. When configured as an output, you can write to an internal register to control the state driven on the output pin.

[SPRUEK8](#) — *TMS320DM647/DM648 DSP Inter-Integrated Circuit (I2C) Module User's Guide*

describes the inter-integrated circuit (I2C) peripheral in the TMS320DM647/DM648 Digital Signal Processor (DSP). The I2C peripheral provides an interface between the DSP and other devices compliant with the I2C-bus specification and connected by way of an I2C-bus. External components attached to this 2-wire serial bus can transmit and receive up to 8-bit wide data to and from the DSP through the I2C peripheral. This document assumes the reader is familiar with the I2C-bus specification.

[SPRUELO](#) — *TMS320DM647/DM648 DSP 64-Bit Timer User's Guide* describes the operation of the 64-bit timer in the TMS320DM647/DM648 Digital Signal Processor (DSP). The timer can be configured as a general-purpose 64-bit timer, dual general-purpose 32-bit timers, or a watchdog timer.

[SPRUEL1](#) — *TMS320DM647/DM648 DSP Multichannel Audio Serial Port (McASP) User's Guide* describes the multichannel audio serial port (McASP) in the TMS320DM647/DM648 Digital Signal Processor (DSP). The McASP functions as a general-purpose audio serial port optimized for the needs of multichannel audio applications. The McASP is useful for time-division multiplexed (TDM) stream, Inter-Integrated Sound (I2S) protocols, and intercomponent digital audio interface transmission (DIT).

[SPRUEL2](#) — *TMS320DM647/DM648 DSP Enhanced DMA (EDMA) Controller User's Guide* describes the operation of the enhanced direct memory access (EDMA3) controller in the TMS320DM647/DM648 Digital Signal Processor (DSP). The EDMA3 controller's primary purpose is to service user-programmed data transfers between two memory-mapped slave endpoints on the DSP.

[SPRUEL4](#) — *TMS320DM647/DM648 Peripheral Component Interconnect (PCI) User's Guide* describes the peripheral component interconnect (PCI) port in the TMS320DM647/DM648 Digital Signal Processor (DSP). The PCI port supports connection of the C642x DSP to a PCI host via the integrated PCI master/slave bus interface. The PCI port interfaces to the DSP via the enhanced DMA (EDMA) controller. This architecture allows for both PCI master and slave transactions, while keeping the EDMA channel resources available for other applications.

[SPRUEL5](#) — *TMS320DM647/DM648 DSP Host Port Interface (UHPI) User's Guide* describes the host port interface (HPI) in the TMS320DM647/DM648 Digital Signal Processor (DSP). The HPI is a parallel port through which a host processor can directly access the CPU memory space. The host device functions as a master to the interface, which increases ease of access. The host and CPU can exchange information via internal or external memory. The host also has direct access to memory-mapped peripherals. Connectivity to the CPU memory space is provided through the enhanced direct memory access (EDMA) controller.

[SPRUEL8](#) — *TMS320DM647/DM648 DSP Universal Asynchronous Receiver/Transmitter (UART) User's Guide* describes the universal asynchronous receiver/transmitter (UART) peripheral in the TMS320DM647/DM648 Digital Signal Processor (DSP). The UART peripheral performs serial-to-parallel conversion on data received from a peripheral device, and parallel-to-serial conversion on data received from the CPU.

[SPRUEL9](#) — *TMS320DM647/DM648 DSP VLYNQ Port User's Guide* describes the VLYNQ port in the TMS320DM647/DM648 Digital Signal Processor (DSP). The VLYNQ port is a high-speed point-to-point serial interface for connecting to host processors and other VLYNQ compatible devices. It is a full-duplex serial bus where transmit and receive operations occur separately and simultaneously without interference.

[SPRUEM1](#) — *TMS320DM647/DM648 DSP Video Port/VCXO Interpolated Control (VIC) Port User's Guide* discusses the video port and VCXO interpolated control (VIC) port in the TMS320DM647/DM648 Digital Signal Processor (DSP). The video port can operate as a video capture port, video display port, or transport stream interface (TSI) capture port. The VIC port provides single-bit interpolated VCXO control with resolution from 9 bits to up to 16 bits. When the video port is used in TSI mode, the VIC port is used to control the system clock, VCXO, for MPEG transport stream.

[SPRUEM2](#) — **TMS320DM647/DM648 DSP Serial Port Interface (SPI) User's Guide** discusses the Serial Port Interface (SPI) in the TMS320DM647/DM648 Digital Signal Processor (DSP). This reference guide provides the specifications for a 16-bit configurable, synchronous serial peripheral interface. The SPI is a programmable-length shift register, used for high speed communication between external peripherals or other DSPs.

Trademarks

Overview

This chapter provides an overview of the video port peripheral in the digital signal processors (DSPs). An overview of the video port functions, FIFO configurations, and signal mapping are included.

Topic	Page
1.1 Video Port	17
1.2 Video Port FIFO	19
1.3 Video Port Registers	25
1.4 Video Port Pin Mapping	26
1.5 Video Port Pin Multiplexing	28
1.6 VideoPort Clocking	28

1.1 Video Port

The video port peripheral can operate as a video capture port, video display port, or transport channel interface (TCI) capture port.

It provides the following functions:

- Video capture mode:
 - Capture rate of up to 80 MHz.
 - Two channels of 8-bit digital video input from a digital camera or an analog camera (using a video decoder). Digital video input is in YCbCr 4:2:2 format with 8-bit resolution multiplexed in ITU-R BT.656 format.
 - One channel of Y/C 16-bit digital video input in YCbCr 4:2:2 format on separate Y and Cb/Cr inputs. Supports SMPTE 260M, SMPTE 274M, SMPTE 296M, ITU-BT.1120, etc., as well as older CCIR601 interfaces.
 - YCbCr 4:2:2 to YCbCr 4:2:0 horizontal conversion and 1/2 scaling in 8-bit 4:2:2 modes.
 - Direct interface for two channels of up to 8-bit or one channel of up to 16-bit raw video from A/D converters.
- Video display mode:
 - Display rate of up to 110 MHz.
 - One channel of continuous digital video output. Digital video output is YCbCr 4:2:2 co-sited pixel data with 8-bit resolution multiplexed in ITU-R BT.656 format.
 - One channel of Y/C 16-bit digital video output in YCbCr 4:2:2 format on separate Y and Cb/Cr outputs. (Supports SMPTE 260M, SMPTE 274M, SMPTE 296M, ITU-BT.1120, etc.)
 - YCbCr 4:2:0 to YCbCr 4:2:2 horizontal conversion and 2x scaling of output in 8-bit 4:2:2 modes.
 - Programmable clipping of BT.656 and Y/C mode output values.
 - One channel of raw data output up to 16-bits for interface to RAMDACs. Two channel synchronized raw data output.
 - Synchronizes to external video controller or another video display port.
 - Using the external clock, the frame timing generator provides programmable image timing that includes horizontal and vertical blanking, start of active video (SAV) and end of active video (EAV) code insertion, and horizontal and frame timing pulses.
 - Generates horizontal and vertical synchronization and blanking signals and a frame synchronization signal.
- TCI capture mode: Transport channel interface (TCI) from a front-end device (such as demodulator) or a forward error correction device in 8-bit parallel format at up to 30 Mbytes/sec.
- The port generates up to three events per channel in BT656 and Y/C Mode, one event per channel in RAW and TCI mode and one interrupt to the DSP.

A high-level block diagram of the video port is shown in [Figure 1-1](#). The port consists of two channels: A and B. You can split a 5120-byte capture/display buffer between the two channels. The entire port (both channels) is always configured for either video capture or display only. Separate data pipelines control the parsing and formatting of video capture or display data for each of the BT.656, Y/C, raw video, and TCI modes.

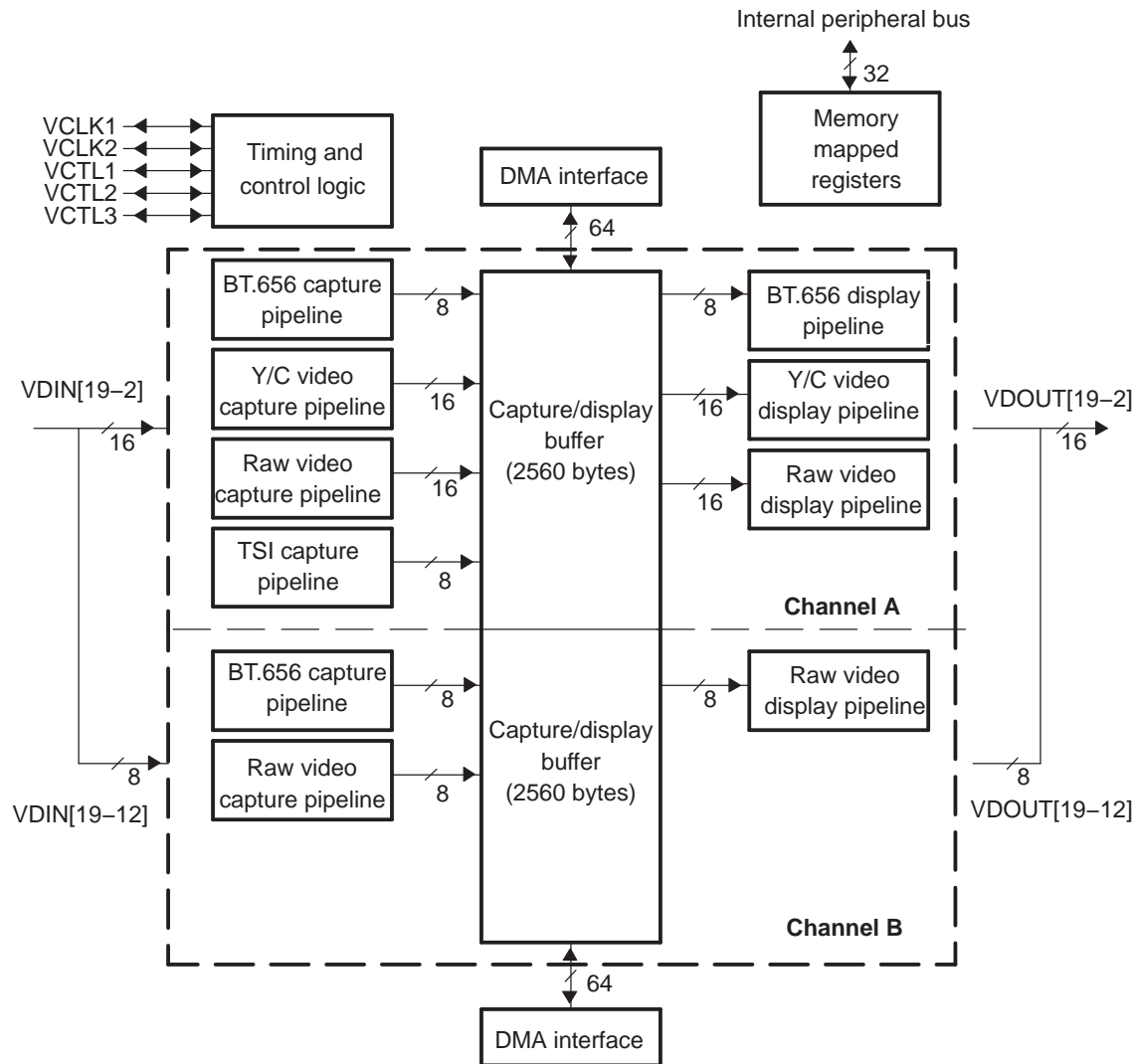
For video capture operation, the video port may operate as two 8-bit channels of BT.656 or raw video capture; or as a single channel of 8-bit BT.656, 8-bit raw video, 8-bit Y/C video, 16-bit raw video, or 8-bit TCI.

For video display operation, the video port may operate as a single channel of 8-bit BT.656, 8-bit raw video, 8-bit Y/C video, or 16-bit raw video. It may also operate in a two channel 8-bit raw mode in which the two channels are locked to the same timing. Channel B is not used during single channel operation.

It is important to note that the VideoPort Data pin numbering is compatible with TMS320DM642 DSP chip. In case of a 8-bit channel the suffixes for the data pins are mentioned as VDOUT[9-2] for display/output port and VDIN[9-2] for capture/input port. In case of a 16-bit channel the suffixes for the data pins are mentioned as VDOUT[19-2] for display/output port and VDIN[19-2] for capture/input port.

This document describes the full feature set offered by the video port. See the device-specific datasheet for details about I/O timing information.

Figure 1-1. Video Port Block Diagram



1.2 Video Port FIFO

The video port includes a FIFO to store data coming into or out from the video port. The video port operates in conjunction with EDMA transfers to move data between the video port FIFO and external or on-chip memory. You can program threshold settings so that EDMA events generate when the video port FIFO reaches a certain fullness (for capture) or goes below a certain fullness (for display). You set up EDMA Channels that are required to service the FIFO independently and are key to correct operation of the video port. The FIFO size is relatively large to allow time for EDMA Channels to service the transfer requests, since the device typically has many peripheral interfaces, including five video ports.

The following sections briefly describe the interaction with the EDMA and different FIFO configurations that are used to support the various modes of the video port.

1.2.1 EDMA Interface

Video port data transfers take place using EDMA Channels. EDMA requests are based on buffer thresholds. Since the video port does not directly source the transfer, it can not adjust the transfer size based on buffer empty/full status. This means the EDMA transfer size is essentially fixed in the user-programmed EDMA parameter table. The preferred transfer size is often one entire line of data because this allows the most flexibility in terms of frame buffer line pitch (in RAM). Some modes of operation for the highest display rates may require more frequent EDMA requests, such as on a half or quarter line basis.

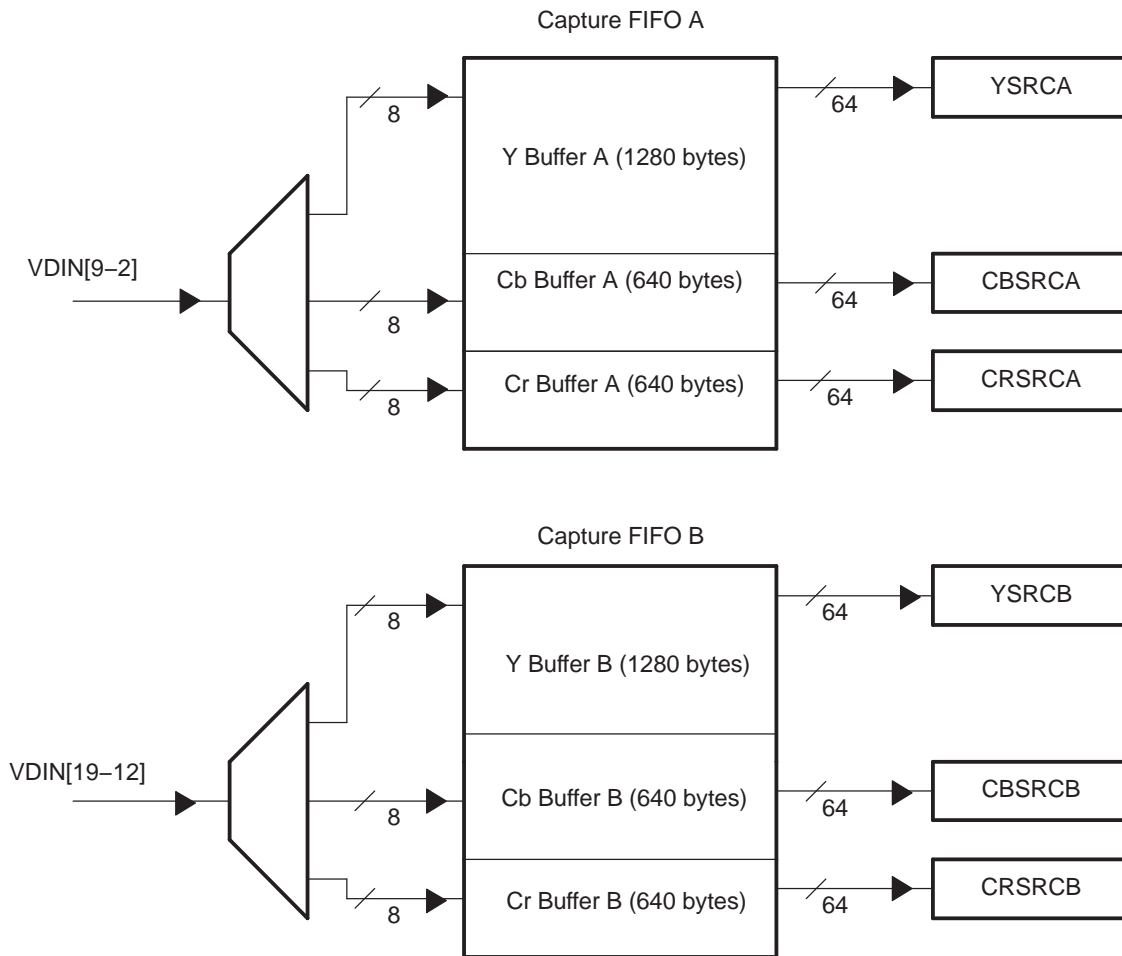
All requests are based on buffer thresholds. EDMA requests are made whenever the number of samples in the buffer reaches the threshold value in video capture mode. In order to ensure that all data from a capture field/frame gets emptied from the buffer, the transfer size must be equal to the threshold and the total amount of field/frame data must be a multiple of the transfer size.

For video display operation, EDMA requests are made whenever there is at least the threshold number of double words free in the FIFO. This means that the transfer size must be equal or smaller than the threshold so that it fits into the available space. The field/frame size must still be a multiple of the transfer size or there are pixels left in the buffer at the end of the field (which appear at the start of the next field).

1.2.2 Video Capture FIFO Configurations

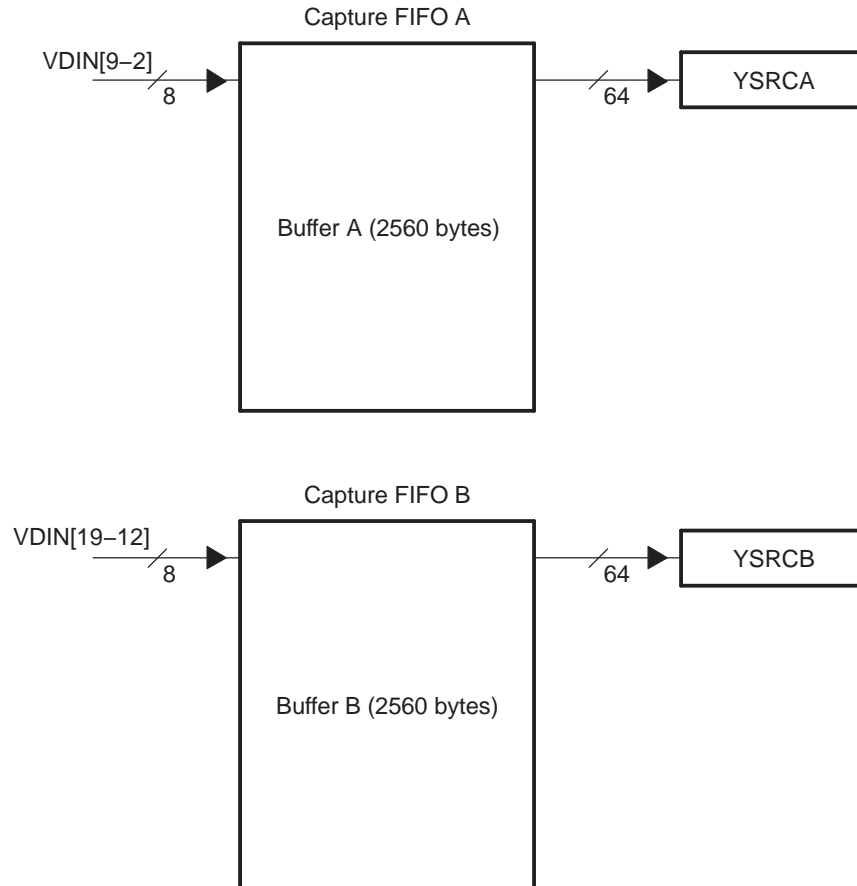
During video capture operation, the video port FIFO has one of four configurations depending on the capture mode. For BT.656 operation, the FIFO is split into channel A and B, as shown in [Figure 1-2](#). Each FIFO is clocked independently with the channel A FIFO receiving data from the VDIN[9-2] half of the bus and the channel B FIFO receiving data from the VDIN[19-12] half of the bus. Each channel's FIFO is further split into Y, Cb, and Cr buffers with separate write pointers and read registers (YSRCx, CBSRCx, and CRSRCx).

Figure 1-2. BT.656 Video Capture FIFO Configuration



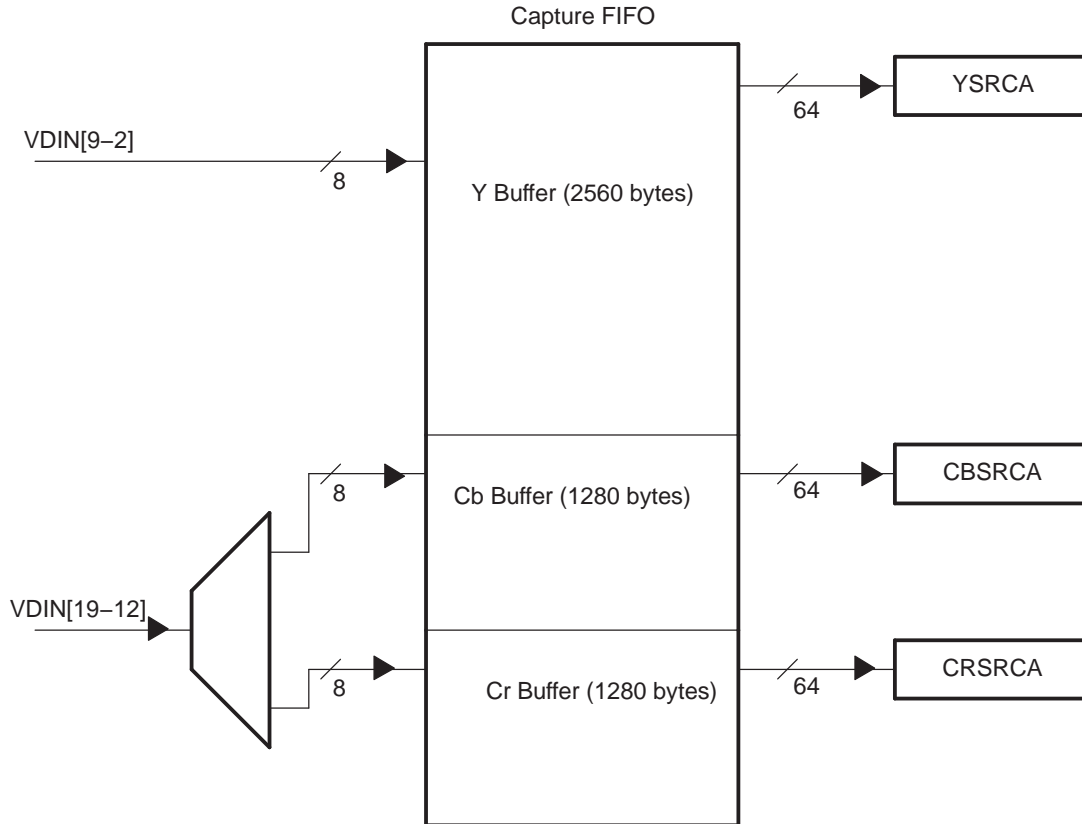
For 8-bit raw video, the FIFO is split into channel A and B, as shown in [Figure 1-3](#). Each FIFO is clocked independently with the channel A FIFO receiving data from the VDIN[9-2] half of the bus and the channel B FIFO receiving data from the VDIN[19-12] half of the bus. Each channel's FIFO has a separate write pointer and read register (YSRCx). The FIFO configuration is identical for TCI capture, but channel B is disabled.

Figure 1-3. 8-Bit Raw Video Capture and TCI Video Capture FIFO Configuration



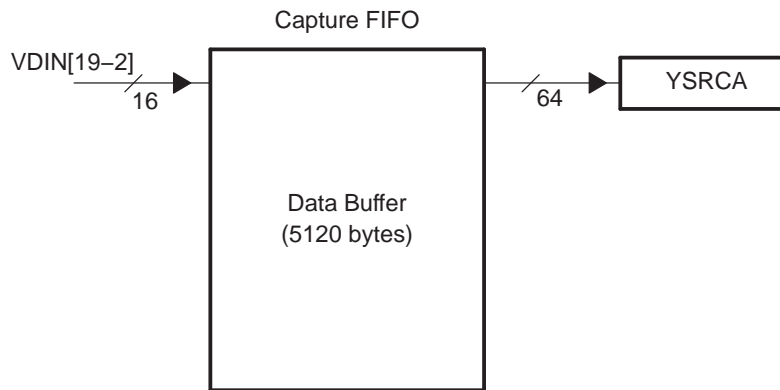
For Y/C video capture, the FIFO is configured as a single channel split into separate Y, Cb, and Cr buffers with separate write pointers and read registers (YSRCA, CBSRCA, and CRSRCA). Figure 1-4 shows how Y data is received on the VDIN[9-2] half of the bus and Cb/Cr data is received on the VDIN[19-12] half of the bus and de-multiplexed into the Cb and Cr buffers.

Figure 1-4. Y/C Video Capture FIFO Configuration



For 16-bit raw video, the FIFO is configured as a single buffer, as shown in [Figure 1-5](#). The FIFO receives 16-bit data from the VDIN[19-2] bus. The FIFO has a single write pointer and read register (YSRCA).

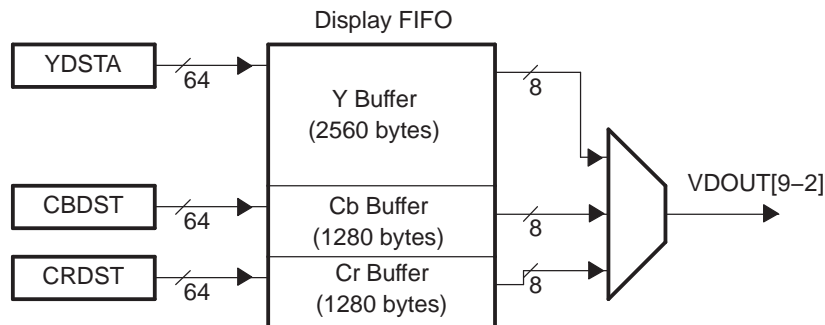
Figure 1-5. 16-Bit Raw Video Capture FIFO Configuration



1.2.3 Video Display FIFO Configurations

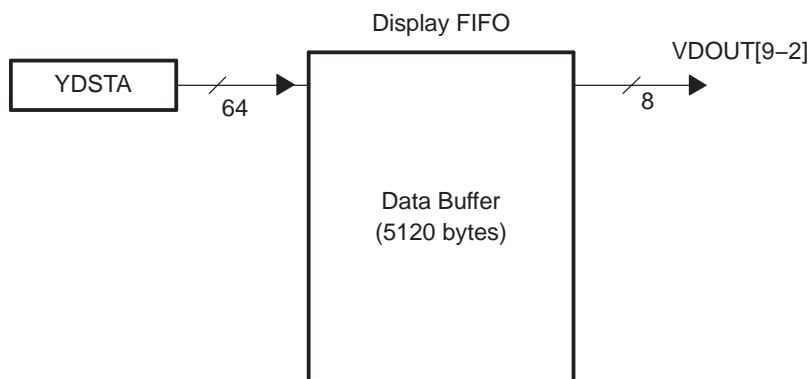
During video display operation, the video port FIFO has one of five configurations depending on the display mode. For BT.656 operation, a single output is provided on channel A, as shown in [Figure 1-6](#), with data output on VDOUT[9-2]. The channel's FIFO is split into Y, Cb, and Cr buffers with separate read pointers and write registers (YDSTA, CBDST, and CRDST).

Figure 1-6. BT.656 Video Display FIFO Configuration



For 8-bit raw video, the FIFO is configured as a single buffer as shown in [Figure 1-7](#). The FIFO outputs data on the VDOUT[9-2] half of the bus. The FIFO has a single read pointer and write register (YDSTA).

Figure 1-7. 8-Bit Raw Video Display FIFO Configuration



For locked raw video, the FIFO is split into channel A and B. The channels are locked together and use the same clock and control signals. Each channel uses a single buffer and write register (YDSTx) as shown in [Figure 1-8](#).

For 16-bit raw video, the FIFO is configured as a single buffer, as shown in [Figure 1-9](#). The FIFO outputs data on VDOOUT[19-2]. The FIFO has a single read pointer and write register (YDSTA).

Figure 1-8. 8-Bit Locked Raw Video Display FIFO Configuration

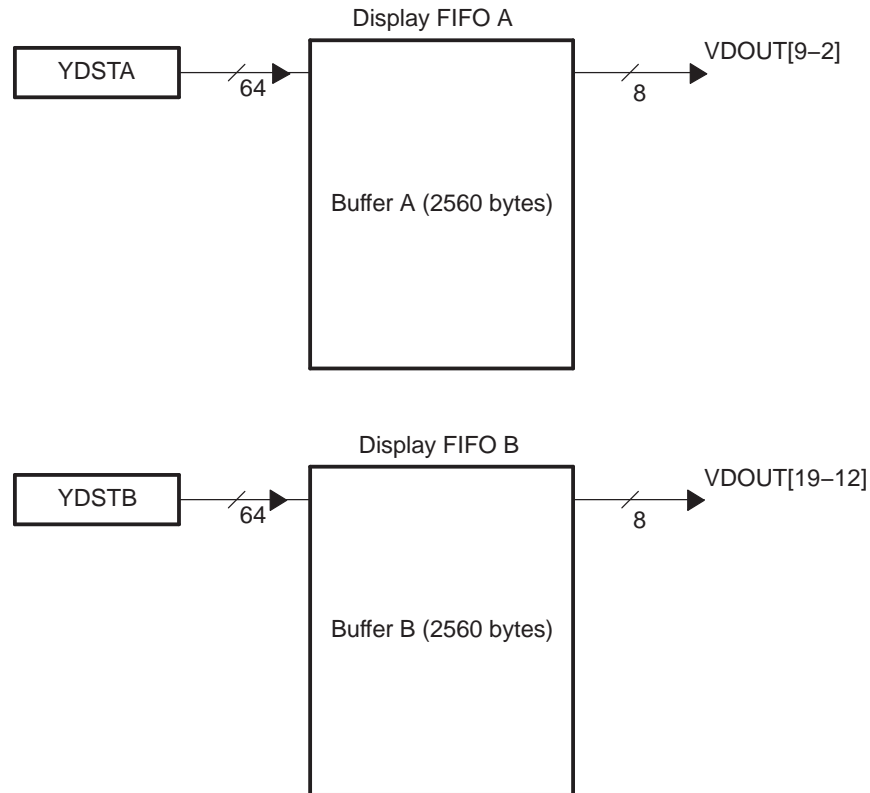
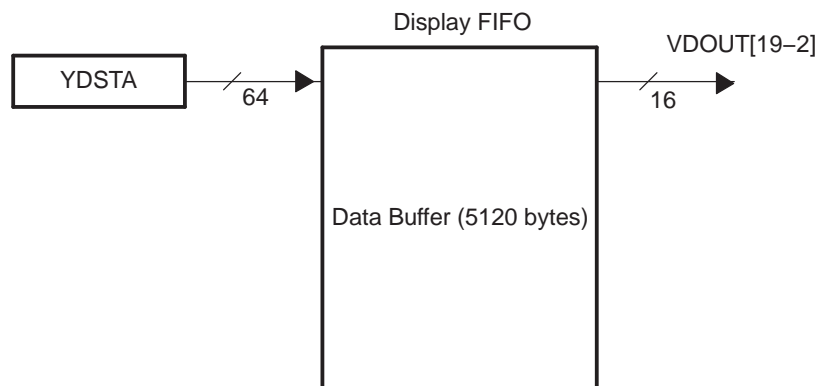
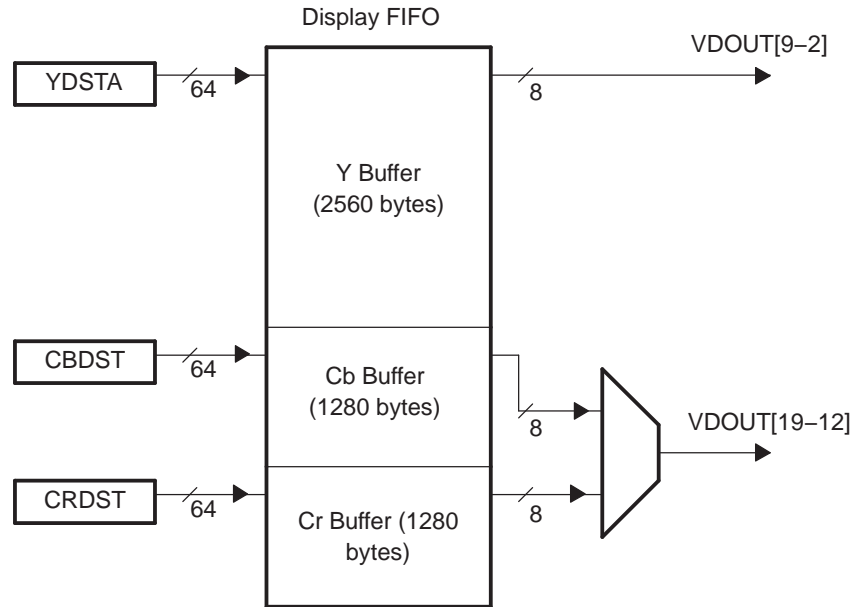


Figure 1-9. 16-Bit Raw Video Display FIFO Configuration



For Y/C video display, the FIFO is configured as a single channel split into separate Y, Cb, and Cr buffers with separate read pointers and write registers (YDSTA, CBDST, and CRDST). Figure 1-10 shows how Y data is output on the VDOOUT[9-2] half of the bus and Cb/Cr data is multiplexed and output on the VDOOUT[19-12] half of the bus.

Figure 1-10. Y/C Video Display FIFO Configuration



1.3 Video Port Registers

The video port configuration register space is divided into several different sections with registers grouped by function including top-level video port control, video capture control, video display control, and GPIO.

The registers for controlling the video port are in [Section 2.4](#).

The registers for controlling the video capture mode of operation are shown in [Section 3.13](#). An additional space is dedicated for FIFO read pseudo-registers as shown in [Section 3.14](#). This space requires high-speed access and is not mapped to the register access bus.

The registers for controlling the video display mode of operation are shown in [Section 4.12](#). An additional space is dedicated for FIFO write pseudo-registers as shown in [Section 4.14](#). This space requires high-speed access and is not mapped to the register access bus.

The registers for controlling the general-purpose input/output (GPIO) are shown in [Section 5.1](#).

1.4 Video Port Pin Mapping

The video port requires 21 external signal pins for full functionality. Pin usage and direction changes depend on the selected operating mode. Pin functionality detail for video capture mode is listed in [Table 1-1](#). Pin functionality detail for video display mode is listed in [Table 1-2](#). All unused port signals (except VCLK1 and VCLK1) can be configured as general-purpose I/O (GPIO) pins.

Table 1-1. Video Capture Signal Mapping⁽¹⁾

Video Port Signal	I/O	Usage					
		BT.656 Capture Mode		Y/C Capture Mode	Raw Data Capture Mode		TCI Capture Mode
		Dual Channel	Single Channel		8-Bit	16-Bit	
VDATA[9-2]	I/O	VDIN[9-2] (In) Ch A	VDIN[9-2] (In) Ch A	VDIN[9-2] (In) (Y)	VDIN[9-2] (In) Ch A	VDIN[9-2] (In)	VDIN[9-2] (In)
VDATA[19-12]	I/O	VDIN[19-12] (In) Ch B	Not Used	VDIN[19-12] (In) (Cb/Cr)	VDIN[19-12] (In) Ch B	VDIN[19-12] (In)	Not Used
VCLK1	I	VCLKINA (In)	VCLKINA (In)	VCLKINA (In)	VCLKINA (In)	VCLKINA (In)	VCLKINA (In)
VCLK1	I/O	VCLKINB (In)	Not Used	Not Used	VCLKINB (In)	Not Used	Not Used
VCTL1	I/O	CAPENA (In)	CAPENA/ AVID/HSYNC (In)	CAPENA/ AVID/HSYNC (In)	CAPENA (In)	CAPENA (In)	CAPENA (In)
VCTL2	I/O	CAPENB (In)	VBLNK/ VSYNC (In)	VBLNK/ VSYNC (In)	CAPENB (In)	Not Used	PACSTRT (In)
VCTL3	I/O	Not Used	FID (In)	FID (In)	FID (In) Ch A	FID (In) Ch A	PACERR (In)

⁽¹⁾ Legend: VCLKINA – Channel A capture clock; CAPENA – Channel A capture enable; VCLKINB – Channel B capture clock; CAPENB – Channel B capture enable; AVID – Active video; HSYNC – Horizontal synchronization; VBLNK – Vertical blanking; VSYNC – Vertical synchronization; FID – Field identification; PACSTRT – Packet start; PACERR – Packet error

Table 1-2. Video Display Signal Mapping

Video Port Signal	I/O	Usage				
		BT.656 Display Mode	Y/C Display Mode	Raw Data Display Mode		
				8-Bit	16-Bit	8-Bit Dual Sync
VDATA[9-2]	I/O	VDOUT[9-2] (Out)	VDOUT[9-2] (Out) (Y)	VDOUT[9-2] (Out)	VDOUT[9-2] (Out)	VDOUT[9-2] (Out) (Ch A)
VDATA[19-12]	I/O	Not Used	VDOUT[19-12] (Out) (Cb/Cr)	Not Used	VDOUT[19-12] (Out)	VDOUT[19-12] (Out) (Ch B)
VCLK1	I	VCLKIN (In)	VCLKIN (In)	VCLKIN (In)	VCLKIN (In)	VCLKIN (In)
VCLK1	I/O	VCLKOUT (Out)	VCLKOUT (Out)	VCLKOUT (Out)	VCLKOUT (Out)	VCLKOUT (Out)
VCTL1	I/O	HSYNC/HBLNK/ AVID/FLD (Out) or HSYNC (In)	HSYNC/HBLNK/ AVID/FLD (Out) or HSYNC (In)	HSYNC/HBLNK/ AVID/FLD (Out) or HSYNC (In)	HSYNC/HBLNK/ AVID/FLD (Out) or HSYNC (In)	HSYNC/HBLNK/ AVID/FLD (Out) or HSYNC (In)
VCTL2	I/O	VSYNC/VBLNK/C SYNC/FLD (Out) or VSYNC (In)	VSYNC/VBLNK/C SYNC/FLD (Out) or VSYNC (In)	VSYNC/VBLNK/C SYNC/FLD (Out) or VSYNC (In)	VSYNC/VBLNK/C SYNC/FLD (Out) or VSYNC (In)	VSYNC/VBLNK/C SYNC/FLD (Out) or VSYNC (In)
VCTL3	I/O	CBLNK/FLD (Out) or FLD (In)	CBLNK/FLD (Out) or FLD (In)	CBLNK/FLD (Out) or FLD (In)	CBLNK/FLD (Out) or FLD (In)	CBLNK/FLD (Out) or FLD (In)

1.4.1 VDIN Bus Usage for Capture Modes

The alignment and usage of data on the VDIN bus depends on the capture mode as shown in [Table 1-3](#).

Table 1-3. VDIN Data Bus Usage for Capture Modes⁽¹⁾

Data Bus	Capture Mode				TCI Mode
	BT.656	Y/C	Raw Data		
	8-Bit	8-Bit	8-Bit	16-Bit	
VDIN19	B	A (C)	B	A	
VDIN18	B	A (C)	B	A	
VDIN17	B	A (C)	B	A	
VDIN16	B	A (C)	B	A	
VDIN15	B	A (C)	B	A	
VDIN14	B	A (C)	B	A	
VDIN13	B	A (C)	B	A	
VDIN12	B	A (C)	B	A	
VDIN9	A	A (Y)	A	A	A
VDIN8	A	A (Y)	A	A	A
VDIN7	A	A (Y)	A	A	A
VDIN6	A	A (Y)	A	A	A
VDIN5	A	A (Y)	A	A	A
VDIN4	A	A (Y)	A	A	A
VDIN3	A	A (Y)	A	A	A
VDIN2	A	A (Y)	A	A	A

⁽¹⁾ Legend: A – Channel A capture; A(C) Channel A chroma; A(Y) Channel A luma; B – Channel B capture

1.4.2 VDOUT Data Bus Usage for Display Modes

The alignment and usage of data on the VDOUT bus depends on the display mode as shown in [Table 1-4](#).

Table 1-4. VDOUT Data Bus Usage for Display Modes⁽¹⁾

Data Bus	Display Mode			
	BT.656	Y/C	Dual Sync Raw Data	Raw Data
	8-Bit	8-Bit	8-Bit	16-Bit
VDOUT19		A (C)	(B)	A
VDOUT18		A (C)	(B)	A
VDOUT17		A (C)	(B)	A
VDOUT16		A (C)	(B)	A
VDOUT15		A (C)	(B)	A
VDOUT14		A (C)	(B)	A
VDOUT13		A (C)	(B)	A
VDOUT12		A (C)	(B)	A
VDOUT9	A	A (Y)	A	A
VDOUT8	A	A (Y)	A	A
VDOUT7	A	A (Y)	A	A
VDOUT6	A	A (Y)	A	A
VDOUT5	A	A (Y)	A	A
VDOUT4	A	A (Y)	A	A
VDOUT3	A	A (Y)	A	A
VDOUT2	A	A (Y)	A	A

⁽¹⁾ Legend: A – Channel A display; A(C) Channel A chroma; A(Y) Channel A luma; B – Optional locked channel B display

1.5 Video Port Pin Multiplexing

None of the five Video Port have dedicated pins associated with them. Each of the Video Port has its pins multiplexed with other peripherals. In order to use a desired Video Port either in Capture or Display Mode, the user would first need to program the Pin Mux Register (PINMUX) appropriately to ensure that the multiplexed pins work as VideoPort pins. Refer to the device-specific data manual to know details of the PINMUX Register.

1.6 VideoPort Clocking

Each of the Video Ports have a LPSC associated with them. The LPSC provides the module clock and reset control. On power up, the LPSC's associated with Video Ports do not gate the clock required for the Video Port to function. User would need to appropriately program the LPSC associated with Video Port to provide the clock to the desired Video Port before trying a data transfer operation. Refer to the device-specific manual to know LPSC Video Port association and details of LPSC registers.

Video Port

This chapter discusses the basic operation of the video port. Included is a discussion of the sources and types of resets, interrupt operation, EDMA operation, external clock inputs, video port throughput and latency, and the video port control registers.

Topic	Page
2.1 Reset Operation	30
2.2 Interrupt Operation	31
2.3 EDMA Operation	32
2.4 Video Port Control Registers	34

2.1 Reset Operation

The video port has several sources and types of resets. The actions performed by these resets and the state of the port following the resets is described in the following sections.

2.1.1 Power-On Reset

Power-on reset is an asynchronous hardware reset caused by a chip-level reset operation. The reset is initiated by a power-on reset input to the video port. When the input is active, the port places all I/Os (VD[19-2], VCTL1, VCTL2, VCTL3, and VCLK1) in a high-impedance state.

2.1.2 Peripheral Bus Reset

Peripheral bus reset is a synchronous hardware reset caused by a chip-level reset operation. The reset is initiated by a peripheral bus reset input to the video port. This reset can be used internally (continuously asserted) to disable the video port for low-power operation. When the input is active, the port does the following:

- Places (keeps) all I/Os (VD[19-2], VCTL1, VCTL2, VCTL3, and VCLK1) in a high-impedance state.
- Flushes the FIFOs (resets pointers)
- Resets all port, capture, display, and GPIO registers to their default values. These may not complete until the appropriate module clock (VCLK1, STCLK) edges occur to synchronously release the logic from reset.
- Clears PEREN bit in PCR to 0.
- Sets VPHLT bit in VPCTL to 1.

While the peripheral remains disabled (PEREN = 0):

- VCLK1, VCLK2, and STCLK are gated off to save peripheral power.
- Peripheral bus accesses are acknowledged (RREADY/WREADY returned) to prevent EDMA lock-up. (Any value returned on reads, data accepted or discarded on writes.)
- Peripheral bus MMR interface allows access to GPIO registers only (PID, PCR, PFUNC, PDIR, PIN, PDOUR, PDSET, PDCLR, PIEN, PIPOL, PISTAT, and PICLR).
- Port I/Os (VD[19-2], VCTL1, VCTL2, VCTL3, and VCLK2) remain in a high-impedance state unless enabled as GPIO by the PFUNC bits.

If software sets the PEREN bit in PCR but the VPHLT bit in VPCTL remains set:

- VCLK1, VCLK2, and STCLK are enabled to the port (allowing logic reset to complete).
- Peripheral bus accesses are acknowledged (RREADY/WREADY returned) to prevent EDMA lock-up. (Any value returned on reads, data accepted or discarded on writes.)
- Peripheral bus MMR interface allows access to all registers.
- Port I/Os (VD[19-2], VCTL1, VCTL2, VCTL3, and VCLK2) remain in a high-impedance state unless enabled as GPIO by the PFUNC bits.
- VPCTL bits may be set (until the VPHLT bit is cleared).

2.1.3 Software Port Reset

A software port reset may be performed on the entire video port by setting the VPRST bit in VPCTL. This behaves identically to the peripheral bus reset except that it does not clear the PEREN bit in PCR. This reset:

- Performs a reset on all port logic (channel logic may stay in reset until port input clock pulses occur).
- Self-clears the VPRST bit to 0 but leaves the VPHLT bit set. The VCLK1 input must be clocking in order for this reset to take effect.

Note: The VPRST bit may take several clock cycles to clear to 0. The VPRST bit should be polled to make sure the bit is cleared prior to writing to the video port registers.

Once the port is configured and the VPHLT bit is cleared, the setting of other VPCTL bits (except VPRST) is disabled. The VCLK2 output may also be driven at this time, if display mode is selected. VCTL1-3 must remain in a high-impedance state unless enabled as GPIO, since internal/external sync is selected through VDCTL.

2.1.4 Capture Channel Reset

A software reset may be performed on a single capture channel by setting the RSTCH bit in VCxCTL. This reset requires that the channel VCLKIN be transitioning. On capture channel reset:

- No new EDMA events are generated.
- Peripheral bus accesses are acknowledged (RREADY returned) to prevent EDMA lock-up. (Any value returned on reads).
- Channel capture registers are set to their default values.
- Channel capture FIFO is flushed (pointers reset).
- The VCEN bit in VCxCTL is cleared to 0.
- The RSTCH bit self-clears to 0 after completion of the above.

Once the port is configured and the VCEN bit is set, the setting of other VCxCTL bits (except VCEN, RSTCH, and BLKCAP) is prohibited and the capture counters begin counting. When BLKCAP is cleared, data capture and event generation may begin.

2.1.5 Display Channel Reset

A software reset may be performed on the display channel by setting the RSTCH bit in VDCTL. This reset requires that the channel VCLKIN be transitioning. On display channel reset:

- No new EDMA events are generated.
- Peripheral bus accesses are acknowledged (WREADY returned) to prevent EDMA lock-up. (Write data may be written into the FIFO or discarded.)
- Channel display registers are set to their default values.
- Channel display FIFO is flushed (pointers reset).
- The VDEN bit in VDCTL is cleared to 0.
- The RSTCH bit self-clears to 0 after completion of the above.

Once the port is configured and the VDEN bit is set, the setting of other VDCTL bits (except VDEN, RSTCH, and BLKDIS) is prohibited and the display counters begin counting. Data outputs are driven (with default value, blanking, and control codes as appropriate and any control outputs are driven). When the BLKDIS bit is cleared, event generation may begin and FIFO data displayed.

2.2 Interrupt Operation

The video port generates an interrupt to the DSP core after any of the following events occur:

- Capture complete (CCMPx) bit is set.
- Capture overrun (COVRx) bit is set.
- Synchronization byte error (SERRx) bit is set.
- Vertical interrupt (VINTxn) bit is set.
- Short field detect (SFDx) bit is set.
- Long field detect (LFDx) bit is set.
- STC absolute time (STC) bit is set.
- STC tick counter expired (TICK) bit is set.
- Display complete (DCMP) bit is set.
- Display under-run (DUND) bit is set.

- Display complete not acknowledged (DCNA) bit is set.
- GPIO interrupt (GPIO) bit is set.

The interrupt signal is a pulse only and does not hold state. The interrupt pulse is generated only when the number of set flags in VPIS transitions from none to one or more. Another interrupt pulse is not generated by setting additional flag bits.

Interrupts can be masked via the video port interrupt enable register (VPIE) using individual interrupt enables and the VIE global enable bit. The interrupts are cleared in the video port interrupt status register (VPIS) using the individual status bits. Writing a 1 to the appropriate bit clears the interrupt. The clearing of an interrupt flag reenables the generation of another interrupt pulse, if other flags are still set. In other words, pulse generation is reenabled by writing a 1 to any set bit of VPIS.

Upon receiving an interrupt you should:

1. Read VPIS.
2. Perform the service routine for whatever bits are set.
3. Clear appropriate bits by writing a 1 to their VPIS locations.
4. Upon return from the ISR, if VPIS bits have been (or remain) set, then another interrupt will occur.

2.3 EDMA Operation

The video port uses up to three EDMA events per channel for a total of six possible events. Each EDMA event uses a dedicated event output. The outputs are:

- VPYEVTA
- VPCbEVTA
- VPCrEVTA
- VPYEVTB
- VPCbEVTB
- VPCrEVTB

2.3.1 Capture EDMA Event Generation

Capture EDMA events are generated based on the state of the capture FIFO(s). If no EDMA event is currently pending and the FIFO crosses the value specified by $VCTHRLD_n$, an EDMA event is generated. Once an event has been requested, another EDMA event may not be generated until the servicing of the outstanding event has begun (as indicated by the first read of the FIFO by the EDMA event service). If the capture FIFO level exceeds $2x$ the $VCTHRLD_n$ value before the requested EDMA event completes, then another EDMA event may be generated. Thus, up to one EDMA event may be outstanding.

An outgoing data counter counts data read by the EDMA. This counter is loaded with the $VCTHRLD_n$ value whenever a new EDMA service begins. The counter then counts down for each double-word read from the FIFO by the EDMA. The EDMA is complete when the counter reaches zero.

For BT.656 and Y/C modes, there are three FIFOs, one for each of the Y, Cb, and Cr color components. Each FIFO generates its own EDMA event; therefore, the EDMA event state and FIFO thresholds for each FIFO are tracked independently. The Cb and Cr FIFOs use a threshold value of $1/2 (VCTHRLD_n + VCTHRLD_n \bmod 2)$.

Because the capture FIFOs may hold multiple thresholds worth of data, a problem arises at the boundaries between fields. Since Field 1 and Field 2 may have different threshold values, the amount of data in the FIFO required to generate the EDMA event changes depending on the current capture field and the field of any outstanding EDMA requests. Similarly, the threshold value loaded in the outgoing data counter needs to change depending on which field's EDMA event is being serviced (not which field is currently being captured). To prevent confusion at the field boundaries, the $VCxEVTCT$ register is programmed to indicate the number of events to generate for each field. An event counter tracks how many events have been generated and indicates which threshold value to use in event generation and in the outgoing data counter. After the last Field 1 event has been generated, the EDMA logic looks for $FIFO > THRS_HLD1 + THRS_HLD2$ to pre-generate the first Field 2 event. Once the last Field 1 event completes, the logic looks for $FIFO > 2x THRS_HLD2$ (assuming a Field 2 event is outstanding).

2.3.2 Display EDMA Event Generation

Display EDMA events are generated based on the amount of room available in the FIFO. The VDTHRLD_n value indicates the level at which the FIFO has room to receive another EDMA. If the FIFO has at least VDTHRLD_n locations available, a EDMA event is generated. Once an E EDMA event has been requested, another EDMA event may not be generated until the servicing of the first EDMA event has begun (as indicated by the first write to the FIFO by the EDMA event service). If there is at least 2x the threshold space still available in the FIFO after the first EDMA service is begun (and the display event counter has not expired) then another EDMA event may be generated. Thus, up to one EDMA request may be outstanding.

An incoming data counter is loaded with the VDTHRLD_n (or VDTHRLD_n/2 for Cb and Cr FIFOs) value at the beginning of each EDMA event service and counts down the incoming EDMA double words. When the counter reaches 0, the EDMA event is complete.

An EDMA event counter is used to track the number of EDMA events generated in each field as programmed in the VDDISPEVT register. The DISPEVT1 or DISPEVT2 value (depending on the current display field) is loaded at the start of each field. The event counter then decrements with each EDMA event generation until it reaches 0, at which point no more EDMA events are generated until the next field begins. Once the last line of data for a field has been requested, the EDMA logic stops generating events until the field is complete in case the CPU needs to modify the EDMA address pointers.

For BT.656 and Y/C modes, there are three FIFOs, one for each of the Y, Cb, and Cr color components. Each FIFO generates its own EDMA event; therefore, the EDMA event state and FIFO thresholds for each FIFO are tracked independently. (The Cb and Cr FIFOs use a threshold value of 1/2 VDTHRLD).

2.3.3 EDMA Size and Threshold Restrictions

The video port FIFOs are 64-bits wide and always read or write 64 bits at a time. For this reason, EDMA accesses must always be an even number of words in length. It is expected that in most cases the threshold size is set to the line length (rounded up to the next double word). This always works because different lines are not packed together within a double word and the Cb and Cr thresholds (1/2 VCTHRLD_x/VDTHRLD) are always rounded up to the double word.

For example, in 8-bit BT.656 capture mode with a line length of 712 (Y), setting the threshold to the line length results in a VCTHRLD of 712 pixels x 1 bytes/pixel x double word/8 bytes = 89 double words. The Cb and Cr FIFOs contain half the data (44.5 double words) so their thresholds are set to 45 double words. Therefore, the Cb and Cr EDMAs each transmit an extra 4 bytes at the end of each line.

If a multi-horizontal line length threshold is desired (2 lines, for example) then the chosen line length must round up to an even number of double words so that it is evenly divisible by 2. If this is not the case, then the Cb and Cr FIFO transfers are corrupted. For the multiline case, consider the same 8-bit BT.656 capture mode with a line length of 712 (Y). If the threshold is set for 2 lines, this results in a VCTHRLD value of 2 x 89 = 178 double words. The actual Cb/Cr line length is 44.5 double words that requires a length of 45. To transfer 2 lines requires 2 x 45 = 90 double words. However, for this VCTHRLD, the EDMA logic would calculate the Cb/Cr threshold size as 178/2 = 89 double words, which is 1 double word off. This can be corrected by increasing the line length to 720 pixels (and ignoring the extra captured pixels) or decreasing it to 704 pixels.

Similarly if a sub-horizontal line length is desired (1/2 line, for example), then the line length and threshold must be chosen such that the threshold is divisible by 2. (This can also be stated as the line length must be an even multiple of #EDMAs/line x 8). For the subline case, consider the 8-bit BT.656 capture mode with a line length of 624 (Y). If the threshold is set for 1/2 the line length, this results in VCTHRLD = (624/2)/8 = 39 double words. The EDMA logic would calculate the Cb/Cr threshold as 39/2 = 20 double words. However, two such Cb/Cr EDMA events would result in a transfer of 40 double words, which is larger than the actual Cb/Cr line length of (624/2)/8 = 39 double words. This can be corrected by changing the line size to 640 pixels or 608 pixels, or by changing the threshold to be 1/3 the line length (VCTHRLD = (624/3)/8 = 26 double words and the Cb/Cr threshold is 26/2 = 13 double words. 3 x 13 = 39 double words, which is exactly the Cb/Cr line length.)

2.3.4 EDMA Interface Operation

When the video port is configured for capture (or TCI) mode, it only accepts read requests from the EDMA interface. Write requests are false acknowledged (so the bus does not stall) and the data is discarded. When the video port is configured for display mode, it only accepts write requests. Read requests are false acknowledged (so the bus does not stall) and an arbitrary data value is returned.

When the video port is in reset, is not enabled (PEREN bit cleared), halted (VPHALT bit is set), or the active mode is not enabled (VCEN or VDEN bit is cleared), then the port will false acknowledge all EDMA accesses to prevent bus lockup.

The video port EDMA event generation logic is very tightly coupled to the EDMA interface accesses. An incorrectly programmed EDMA size causes the EDMA and FIFO to become misaligned causing aberrations in the captured or displayed data and likely resulting in an eventual FIFO overflow or underflow. In the same manner, if another system EDMA incorrectly addresses the video port during active capture or display, the video port has no way of determining that this is an errant EDMA because all it monitors is a EDMA access so it must perform the FIFO read or write. Such an errant EDMA eventually causes the FIFO to be over-read or overwritten.

2.4 Video Port Control Registers

The video port control registers are listed in [Table 2-1](#). See the device-specific datasheet for the memory address of these registers.

Table 2-1. Video Port Control Registers

Offset Address ⁽¹⁾	Acronym	Register Name	Section
C0h	VPCTL	Video Port Control Register	Section 2.4.1
C4h	VPSTAT	Video Port Status Register	Section 2.4.2
C8h	VPIE	Video Port Interrupt Enable Register	Section 2.4.3
CCh	VPIS	Video Port Interrupt Status Register	Section 2.4.4

⁽¹⁾ The absolute address of the registers is device/port specific and is equal to the base address + offset address. See the device-specific datasheet to verify the register addresses.

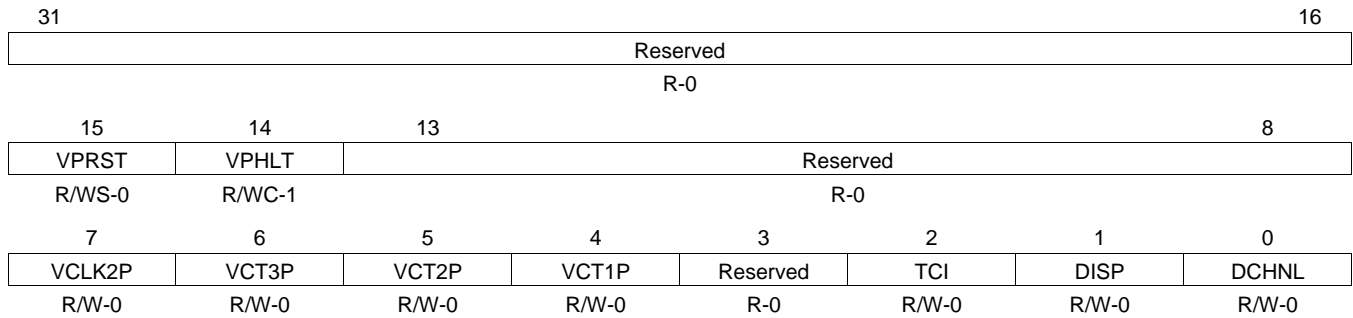
2.4.1 Video Port Control Register (VPCTL)

The video port control register (VPCTL) determines the basic operation of the video port.

Not all combinations of the port control bits are unique. The control bit encoding is shown in [Table 2-3](#). Additional mode options are selected using the video capture channel A control register (VCACTL) and video display control register (VDCTL).

The video port control register (VPCTL) is shown in [Figure 2-1](#) and described in [Table 2-2](#).

Figure 2-1. Video Port Control Register (VPCTL)



LEGEND: R/W = Read/Write; R = Read only; WC = Write a 1 to clear; WS = Write 1 to set, a write of 0 has no effect; -n = value after reset

Table 2-2. Video Port Control Register (VPCTL) Field Descriptions

Bit	field ⁽¹⁾	symval ⁽¹⁾	Value	Description
31-16	Reserved	-	0	Reserved. The reserved bit location is always read as 0. A value written to this field has no effect.
15	VPRST	OF(value)	0	Video port software reset enable bit. VPRST is set by writing a 1. Writing 0 has no effect.
		DEFAULT NO RESET	0	No effect.
		1	Flush all FIFOs and set all port registers to their initial values. VCLK1 and VCLK2 are configured as inputs and all VDATA and VCTL pins are placed in high impedance. Auto-cleared after reset is complete. The VPRST bit may take several clock cycles to clear to 0. The VPRST bit should be polled to make sure the bit is cleared prior to writing to the video port registers.	
14	VPHLT	OF(value)	0	Video port halt bit. This bit is set upon hardware or software reset. The other VPCTL bits (except VPRST) can only be changed when VPHLT is 1. VPHLT is cleared by writing a 1. Writing 0 has no effect.
		NONE DEFAULT CLEAR	0	No effect.
		1	VPHLT is cleared.	
13-6	Reserved	-	0	Reserved. The reserved bit location is always read as 0. A value written to this field has no effect.
7	VCLK2P	OF(value)	0	VCLK2 pin polarity bit. Has no effect in capture mode.
		DEFAULT NONE REVERSE	0	
		1	Inverts the VCLK2 output clock polarity in display mode.	
6	VCT3P	OF(value)	0	VCTL3 pin polarity. Does not affect GPIO operation. If VCTL3 pin is used as a FLD input on the video capture side, then the VCTL3 polarity is not considered; the field inverse is controlled by the FINV bit in the video capture channel x control register (VCxCTL).
		DEFAULT NONE ACTIVELOW	0	Indicates the VCTL3 control signal (input or output) is active high.
		1	Indicates the VCTL3 control signal (input or output) is active low.	

⁽¹⁾ For CSL implementation, use the notation VP_VPCTL_field_symval

Table 2-2. Video Port Control Register (VPCTL) Field Descriptions (continued)

Bit	field ⁽¹⁾	symval ⁽¹⁾	Value	Description
5	VCT2P	OF(value) DEFAULT	0	VCTL2 pin polarity bit. Does not affect GPIO operation. Indicates the VCTL2 control signal (input or output) is active high.
		NONE ACTIVELOW	1	Indicates the VCTL2 control signal (input or output) is active low.
4	VCT1P	OF(value) ACTIVEHIGH	0	VCTL1 pin polarity bit. Does not affect GPIO operation. Indicates the VCTL1 control signal (input or output) is active high.
		NONE ACTIVELOW	1	Indicates the VCTL1 control signal (input or output) is active low.
3	Reserved	-	0	Reserved. The reserved bit location is always read as 0. A value written to this field has no effect.
2	TCI	OF(value) DEFAULT	0	TCI capture mode select bit. TCI capture mode is disabled.
		NONE CAPTURE	1	TCI capture mode is enabled.
1	DISP	OF(value) DEFAULT	0	Display mode select bit. VDATA pins are configured for output. VCLK2 pin is configured as VCLKOUT output. Capture mode is enabled.
		CAPTURE DISPLAY	1	Display mode is enabled.
0	DCHNL	OF(value) DEFAULT	0	Dual channel operation select bit. If the DCDIS bit in VPSTAT is set, this bit is forced to 0. Single-channel operation is enabled.
		SINGLE DUAL	1	Dual-channel operation is enabled.

Table 2-3. Video Port Operating Mode Selection

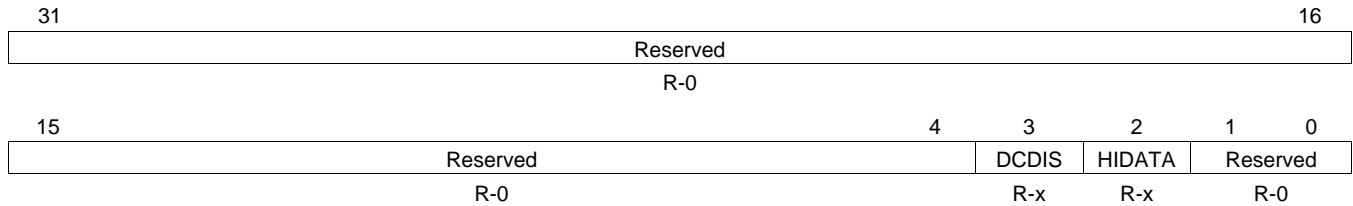
VPCTL Bit			Operating Mode
TCI	DISP	DCHNL	
0	0	0	Single channel video capture. BT.656, Y/C or raw mode as selected in VCACTL. Video capture B channel not used.
0	0	1	Dual channel video capture. Either BT.656 or raw 8-bit as selected in VCACTL and VCBCTL. Option is available only if DCDIS is 0.
0	1	x	Single channel video display. BT.656, Y/C or raw mode as selected in VDCTL. Video display B channel is only used for dual channel sync raw mode.
1	x	x	Single channel TCI capture.

2.4.2 Video Port Status Register (VPSTAT)

The video port status register (VPSTAT) indicates the current condition of the video port.

The video port status register (VPSTAT) is shown in [Figure 2-2](#) and described in [Table 2-4](#).

Figure 2-2. Video Port Status Register (VPSTAT)



LEGEND: R = Read only; -n = value after reset

Table 2-4. Video Port Status Register (VPSTAT) Field Descriptions

Bit	<i>field</i> ⁽¹⁾	<i>symval</i> ⁽¹⁾	Value	Description
31-4	Reserved	-	0	Reserved. The reserved bit location is always read as 0. A value written to this field has no effect.
3	DCDIS	OF(<i>value</i>)	0	Dual-channel disable bit. The default value is determined by the chip-level configuration. Dual-channel operation is enabled.
		DEFAULT ENABLE	1	Port muxing selections prevent dual-channel operation.
2	HIDATA	OF(<i>value</i>)	0	High data bus half. HIDATA does not affect video port operation but is provided to inform you which VDATA pins may be controlled by the video port GPIO registers. HIDATA is never set unless DCDIS is also set. The default value is determined by the chip-level configuration.
		DEFAULT NONE USE	1	Indicates that another peripheral is using VDATA[9-2] and the video port channel A (VDIN[9-2] or VDOUT[9-2]) is muxed onto VDATA[19-12].
1-0	Reserved	-	0	Reserved. The reserved bit location is always read as 0. A value written to this field has no effect.

⁽¹⁾ For CSL implementation, use the notation VP_VPSTAT_*field_symval*

2.4.3 Video Port Interrupt Enable Register (VPIE)

The video port interrupt enable register (VPIE) enables sources of the video port interrupt to the DSP.

The video port interrupt enable register (VPIE) is shown in [Figure 2-3](#) and described in [Table 2-5](#).

Figure 2-3. Video Port Interrupt Enable Register (VPIE)

Reserved							
R-0							
31							24
23	22	21	20	19	18	17	16
LFDB	SFDB	VINTB2	VINTB1	SERRB	CCMPB	COVRB	GPIO
R/W-0	R/W-0	R/W-0	R/W-0	R/W-0	R/W-0	R/W-0	R/W-0
15	14	13	12	11	10	9	8
Reserved	DCNA	DCMP	DUND	TICK	STC	Reserved	
R-0	R/W-0	R/W-0	R/W-0	R/W-0	R/W-0	R-0	
7	6	5	4	3	2	1	0
LFDA	SFDA	VINTA2	VINTA1	SERRA	CCMPA	COVRA	VIE
R/W-0	R/W-0	R/W-0	R/W-0	R/W-0	R/W-0	R/W-0	R/W-0

LEGEND: R/W = Read/Write; R = Read only; -n = value after reset

Table 2-5. Video Port Interrupt Enable Register (VPIE) Field Descriptions

Bit	field ⁽¹⁾	symval ⁽¹⁾	Value	Description
31-24	Reserved	-	0	Reserved. The reserved bit location is always read as 0. A value written to this field has no effect.
23	LFDB	OF(value) DEFAULT DISABLE ENABLE	0 1	Long field detected on channel B interrupt enable bit. Interrupt is disabled. Interrupt is enabled.
22	SFDB	OF(value) DEFAULT DISABLE ENABLE	0 1	Short field detected on channel B interrupt enable bit. Interrupt is disabled. Interrupt is enabled.
21	VINTB2	OF(value) DEFAULT DISABLE ENABLE	0 1	Channel B field 2 vertical interrupt enable bit. Interrupt is disabled. Interrupt is enabled.
20	VINTB1	OF(value) DEFAULT DISABLE ENABLE	0 1	Channel B field 1 vertical interrupt enable bit. Interrupt is disabled. Interrupt is enabled.
19	SERRB	OF(value) DEFAULT DISABLE ENABLE	0 1	Channel B synchronization error interrupt enable bit. Interrupt is disabled. Interrupt is enabled.
18	CCMPB	OF(value) DEFAULT DISABLE ENABLE	0 1	Capture complete on channel B interrupt enable bit. Interrupt is disabled. Interrupt is enabled.

⁽¹⁾ For CSL implementation, use the notation VP_VPIE_field_symval

Table 2-5. Video Port Interrupt Enable Register (VPIC) Field Descriptions (continued)

Bit	field ⁽¹⁾	symval ⁽¹⁾	Value	Description
17	COVRB	OF(value) DEFAULT DISABLE ENABLE	0 1	Capture overrun on channel B interrupt enable bit. Interrupt is disabled. Interrupt is enabled.
16	GPIO	OF(value) DEFAULT DISABLE ENABLE	0 1	Video port general purpose I/O interrupt enable bit. Interrupt is disabled. Interrupt is enabled.
15	Reserved	-	0	Reserved. The reserved bit location is always read as 0. A value written to this field has no effect.
14	DCNA	OF(value) DEFAULT DISABLE ENABLE	0 1	Display complete not acknowledged bit. Interrupt is disabled. Interrupt is enabled.
13	DCMP	OF(value) DEFAULT DISABLE ENABLE	0 1	Display complete interrupt enable bit. Interrupt is disabled. Interrupt is enabled.
12	DUND	OF(value) DEFAULT DISABLE ENABLE	0 1	Display under-run interrupt enable bit. Interrupt is disabled. Interrupt is enabled.
11	TICK	OF(value) DEFAULT DISABLE ENABLE	0 1	System time clock tick interrupt enable bit. Interrupt is disabled. Interrupt is enabled.
10	STC	OF(value) DEFAULT DISABLE ENABLE	0 1	System time clock interrupt enable bit. Interrupt is disabled. Interrupt is enabled.
9-8	Reserved	-	0	Reserved. The reserved bit location is always read as 0. A value written to this field has no effect.
7	LFDA	OF(value) DEFAULT DISABLE ENABLE	0 1	Long field detected on channel A interrupt enable bit. Interrupt is disabled. Interrupt is enabled.
6	SFDA	OF(value) DEFAULT DISABLE ENABLE	0 1	Short field detected on channel A interrupt enable bit. Interrupt is disabled. Interrupt is enabled.
5	VINTA2	OF(value) DEFAULT DISABLE ENABLE	0 1	Channel A field 2 vertical interrupt enable bit. Interrupt is disabled. Interrupt is enabled.
4	VINTA1	OF(value) DEFAULT DISABLE ENABLE	0 1	Channel A field 1 vertical interrupt enable bit. Interrupt is disabled. Interrupt is enabled.

Table 2-5. Video Port Interrupt Enable Register (VP IE) Field Descriptions (continued)

Bit	field ⁽¹⁾	symval ⁽¹⁾	Value	Description
3	SERRA	OF(value) DEFAULT DISABLE ENABLE	0 1	Channel A synchronization error interrupt enable bit. Interrupt is disabled. Interrupt is enabled.
2	CCMPA	OF(value) DEFAULT DISABLE ENABLE	0 1	Capture complete on channel A interrupt enable bit. Interrupt is disabled. Interrupt is enabled.
1	COVRA	OF(value) DEFAULT DISABLE ENABLE	0 1	Capture overrun on channel A interrupt enable bit. Interrupt is disabled. Interrupt is enabled.
0	VIE	OF(value) DEFAULT DISABLE ENABLE	0 1	Video port global interrupt enable bit. Must be set for interrupt to be sent to DSP. Interrupt is disabled. Interrupt is enabled.

2.4.4 Video Port Interrupt Status Register (VPIS)

The video port interrupt status register (VPIS) displays the status of video port interrupts to the DSP. The interrupt is only sent to the DSP if the corresponding enable bit in VP IE is set. All VPIS bits are cleared by writing a 1, writing a 0 has no effect.

The video port interrupt status register (VPIS) is shown in [Figure 2-4](#) and described in [Table 2-6](#).

Figure 2-4. Video Port Interrupt Status Register (VPIS)

Reserved							
R-0							
31							24
23	22	21	20	19	18	17	16
LFDB	SFDB	VINTB2	VINTB1	SERRB	CCMPB	COVRB	GPIO
R/WC-0	R/WC-0	R/WC-0	R/WC-0	R/WC-0	R/WC-0	R/WC-0	R/WC-0
15	14	13	12	11	10	9	8
Reserved	DCNA	DCMP	DUND	TICK	STC	Reserved	
R-0	R/WC-0	R/WC-0	R/WC-0	R/WC-0	R/WC-0	R-0	
7	6	5	4	3	2	1	0
LFDA	SFDA	VINTA2	VINTA1	SERRA	CCMPA	COVRA	Reserved
R/WC-0	R/WC-0	R/WC-0	R/WC-0	R/WC-0	R/WC-0	R/WC-0	R-0

LEGEND: R = Read only; WC = Write 1 to clear, a write of 0 has no effect; -n = value after reset

Table 2-6. Video Port Interrupt Status Register (VPIS) Field Descriptions

Bit	field ⁽¹⁾	symval ⁽¹⁾	Value	Description
31-24	Reserved	-	0	Reserved. The reserved bit location is always read as 0. A value written to this field has no effect.

⁽¹⁾ For CSL implementation, use the notation VP_VPIS_field_symval

Table 2-6. Video Port Interrupt Status Register (VPIS) Field Descriptions (continued)

Bit	field ⁽¹⁾	symval ⁽¹⁾	Value	Description
23	LFDB	OF(value)		<p>Long field detected on channel B interrupt detected bit. (A long field is only detected when the VRST bit in VCBCTL is cleared to 0; when VRST = 1, a long field is always detected.)</p> <p>BT.656 or Y/C capture mode - LFDB is set when long field detection is enabled and VCOUNT is not reset before VCOUNT = YSTOP + 1.</p> <p>Raw data mode, or TCI capture mode or display mode - Not used.</p>
		DEFAULT	0	No interrupt is detected.
		NONE		
		CLEAR	1	Interrupt is detected. Bit is cleared.
22	SFDB	OF(value)		<p>Short field detected on channel B interrupt detected bit.</p> <p>BT.656 or Y/C capture mode - SFDB is set when short field detection is enabled and VCOUNT is reset before VCOUNT = YSTOP.</p> <p>Raw data mode, or TCI capture mode or display mode - Not used.</p>
		DEFAULT	0	No interrupt is detected.
		NONE		
		CLEAR	1	Interrupt is detected. Bit is cleared.
21	VINTB2	OF(value)		<p>Channel B field 2 vertical interrupt detected bit.</p> <p>BT.656 or Y/C capture mode - VINTB2 is set when a vertical interrupt occurred in field 2.</p> <p>Raw data mode or TCI capture mode - Not used.</p>
		DEFAULT	0	No interrupt is detected.
		NONE		
		CLEAR	1	Interrupt is detected. Bit is cleared.
20	VINTB1	OF(value)		<p>Channel B field 1 vertical interrupt detected bit.</p> <p>BT.656 or Y/C capture mode - VINTB1 is set when a vertical interrupt occurred in field 1.</p> <p>Raw data mode or TCI capture mode - Not used.</p>
		DEFAULT	0	No interrupt is detected.
		NONE		
		CLEAR	1	Interrupt is detected. Bit is cleared.
19	SERRB	OF(value)		<p>Channel B synchronization error interrupt detected bit.</p> <p>BT.656 or Y/C capture mode - Synchronization parity error on channel B. An SERRB typically requires resetting the channel (RSTCH) or the port (VPRST).</p> <p>Raw data mode or TCI capture mode - Not used.</p>
		DEFAULT	0	No interrupt is detected.
		NONE		
		CLEAR	1	Interrupt is detected. Bit is cleared.
18	CCMPB	OF(value)		<p>Capture complete on channel B interrupt detected bit. (Data is not in memory until the EDMA transfer is complete.)</p> <p>BT.656 or Y/C capture mode - CCMPB is set after capturing an entire field or frame (when F1C, F2C, or FRMC in VCBSTAT are set) depending on the CON, FRAME, CF1, and CF2 control bits in VCBCTL.</p> <p>Raw data mode - RDFE is not set, CCMPB is set when FRMC in VCBSTAT is set (when the data counter = the combined VCYSTOP/VCXSTOP value).</p> <p>TCI capture mode - CCMPB is set when FRMC in VCBSTAT is set (when the data counter = the combined VCYSTOP/VCXSTOP value).</p>
		DEFAULT	0	No interrupt is detected.
		NONE		
		CLEAR	1	Interrupt is detected. Bit is cleared.

Table 2-6. Video Port Interrupt Status Register (VPIS) Field Descriptions (continued)

Bit	field ⁽¹⁾	symval ⁽¹⁾	Value	Description
17	COVRB	OF(value)		Capture overrun on channel B interrupt detected bit. COVRB is set when data in the FIFO was overwritten before being read out (by the EDMA).
		DEFAULT	0	No interrupt is detected.
		NONE CLEAR	1	Interrupt is detected. Bit is cleared.
16	GPIO	OF(value)		Video port general purpose I/O interrupt detected bit.
		DEFAULT	0	No interrupt is detected.
		NONE CLEAR	1	Interrupt is detected. Bit is cleared.
15	Reserved	-	0	Reserved. The reserved bit location is always read as 0. A value written to this field has no effect.
14	DCNA	OF(value)		Display complete not acknowledged. Indicates that the F1D, F2D, or FRMD bit that caused the display complete interrupt was not cleared prior to the start of the next gating field or frame.
		DEFAULT	0	No interrupt is detected.
		NONE CLEAR	1	Interrupt is detected. Bit is cleared.
13	DCMP	OF(value)		Display complete. Indicates that the entire frame has been driven out of the port. The EDMA complete interrupt can be used to determine when the last data has been transferred from memory to the FIFO.
		DEFAULT	0	No interrupt is detected.
		NONE CLEAR	1	Interrupt is detected. Bit is cleared.
12	DUND	OF(value)		Display under-run. Indicates that the display FIFO ran out of data.
		DEFAULT	0	No interrupt is detected.
		NONE CLEAR	1	Interrupt is detected. Bit is cleared.
11	TICK	OF(value)		System time clock tick interrupt detected bit. BT.656, Y/C capture mode or raw data mode - Not used. TCI capture mode -TICK is set when the TCKEN bit in TCICTL is set and the desired number of system time clock ticks has occurred as programmed in TCITICKS.
		DEFAULT	0	No interrupt is detected.
		NONE CLEAR	1	Interrupt is detected. Bit is cleared.
10	STC	OF(value)		System time clock interrupt detected bit. BT.656, Y/C capture mode or raw data mode - Not used. TCI capture mode - STC is set when the system time clock reaches an absolute time as programmed in TCISTCmpl and TCISTCmpm registers and the STEN bit in TCICTL is set.
		DEFAULT	0	No interrupt is detected.
		NONE CLEAR	1	Interrupt is detected. Bit is cleared.
9-8	Reserved	-	0	Reserved. The reserved bit location is always read as 0. A value written to this field has no effect.

Table 2-6. Video Port Interrupt Status Register (VPIS) Field Descriptions (continued)

Bit	field ⁽¹⁾	symval ⁽¹⁾	Value	Description
7	LFDA	OF(value)		<p>Long field detected on channel A interrupt detected bit. (A long field is only detected when the VRST bit in VCACTL is cleared to 0; when VRST = 1, a long field is always detected.)</p> <p>BT.656 or Y/C capture mode - LFDA is set when long field detection is enabled and VCOUNT is not reset before VCOUNT = YSTOP + 1.</p> <p>Raw data mode, or TCI capture mode or display mode - Not used.</p>
		DEFAULT	0	No interrupt is detected.
		NONE		
		CLEAR	1	Interrupt is detected. Bit is cleared.
6	SFDA	OF(value)		<p>Short field detected on channel A interrupt detected bit.</p> <p>BT.656 or Y/C capture mode - SFDA is set when short field detection is enabled and VCOUNT is reset before VCOUNT = YSTOP.</p> <p>Raw data mode, or TCI capture mode or display mode - Not used.</p>
		DEFAULT	0	No interrupt is detected.
		NONE		
		CLEAR	1	Interrupt is detected. Bit is cleared.
5	VINTA2	OF(value)		<p>Channel A field 2 vertical interrupt detected bit.</p> <p>BT.656, or Y/C capture mode or any display mode - VINTA2 is set when a vertical interrupt occurred in field 2.</p> <p>Raw data mode or TCI capture mode - Not used.</p>
		DEFAULT	0	No interrupt is detected.
		NONE		
		CLEAR	1	Interrupt is detected. Bit is cleared.
4	VINTA1	OF(value)		<p>Channel A field 1 vertical interrupt detected bit.</p> <p>BT.656, or Y/C capture mode or any display mode - VINTA1 is set when a vertical interrupt occurred in field 1.</p> <p>Raw data mode or TCI capture mode - Not used.</p>
		DEFAULT	0	No interrupt is detected.
		NONE		
		CLEAR	1	Interrupt is detected. Bit is cleared.
3	SERRA	OF(value)		<p>Channel A synchronization error interrupt detected bit.</p> <p>BT.656 or Y/C capture mode - Synchronization parity error on channel A. An SERRA typically requires resetting the channel (RSTCH) or the port (VPRST).</p> <p>Raw data mode or TCI capture mode - Not used.</p>
		DEFAULT	0	No interrupt is detected.
		NONE		
		CLEAR	1	Interrupt is detected. Bit is cleared.
2	CCMPA	OF(value)		<p>Capture complete on channel A interrupt detected bit. (Data is not in memory until the EDMA transfer is complete.)</p> <p>BT.656 or Y/C capture mode - CCMPA is set after capturing an entire field or frame (when F1C, F2C, or FRMC in VCASTAT are set) depending on the CON, FRAME, CF1, and CF2 control bits in VCACTL.</p> <p>Raw data mode - If RDFE bit is set, CCMPA is set when F1C, F2C, or FRMC in VCASTAT is set (when the data counter = the combined VCYSTOP/VCXSTOP value) depending on the CON, FRAME, CF1, and CF2 control bits in VCACTL. If RDFE bit is not set, CCMPA is set when FRMC in VCASTAT is set (when the data counter = the combined VCYSTOP/VCXSTOP value)</p> <p>TCI capture mode - CCMPA is set when FRMC in VCASTAT is set (when the data counter = the combined VCYSTOP/VCXSTOP value).</p>
		DEFAULT	0	No interrupt is detected.
		NONE		
		CLEAR	1	Interrupt is detected. Bit is cleared.

Table 2-6. Video Port Interrupt Status Register (VPIS) Field Descriptions (continued)

Bit	field ⁽¹⁾	symval ⁽¹⁾	Value	Description
1	COVRA	OF(<i>value</i>)		Capture overrun on channel A interrupt detected bit. COVRA is set when data in the FIFO was overwritten before being read out (by the EDMA).
		DEFAULT	0	No interrupt is detected.
		NONE CLEAR	1	Interrupt is detected. Bit is cleared.
0	Reserved	-	0	Reserved. The reserved bit location is always read as 0. A value written to this field has no effect.

Video Capture Port

Video capture works by sampling video data on the input pins and saving it to the video port FIFO. When the amount of captured data reaches a programmed threshold level, an EDMA is performed to move data from the FIFO into DSP memory. In some cases, color separation is performed on the incoming video data requiring multiple FIFOs and EDMAs to be used.

The video port enables capture of both interlaced and progressive scan data. Interlaced capture can be performed on either a field-by-field or a frame-by-frame basis. A capture window specifies the data to be captured within each field. Frame and field synchronization can be performed using embedded sync codes or configurable control inputs allowing glueless interface to various encoders and ADCs.

Topic	Page
3.1 Video Capture Mode Selection	46
3.2 BT.656 Video Capture Mode	46
3.3 Y/C Video Capture Mode	50
3.4 BT.656 and Y/C Mode Field and Frame Operation	51
3.5 Video Input Filtering	57
3.6 Ancillary Data Capture	60
3.7 Raw Data Capture Mode	61
3.8 TCI Capture Mode	63
3.9 Capture Line Boundary Conditions	67
3.10 Capturing Video in BT.656 or Y/C Mode	67
3.11 Capturing Video in Raw Data Mode	68
3.12 Capturing Data in TCI Capture Mode	69
3.13 Video Capture Registers	70
3.14 Video Capture FIFO Registers	91

3.1 Video Capture Mode Selection

The video capture module operates in one of five modes as listed in [Table 3-1](#). The transport channel interface (TCI) selection is made using the TCI bit in the video port control register (VPCTL). The CMODE bits are in the video capture channel x control register (VCxCTL). The Y/C and 16-bit raw capture modes may only be selected for channel A and only if the DCDIS bit in VPCTL is cleared to 0.

When operating as a raw video capture channel, no data selection or data interpretation is performed. The 16-bit raw capture mode is designed to accept data from A/D converters with resolution higher than eight bits (used, for example, in medical imaging).

Table 3-1. Video Capture Mode Selection

TCI Bit	CMODE Bits	Mode	Description
0	000	8-Bit ITU-R BT.656 Capture	Digital video input is in YCbCr 4:2:2 with 8-bit resolution multiplexed in ITU-R BT.656 format.
0	010	8-Bit Raw Capture	Raw 8-bit data capture at sampling rates up to 80 MHz.
0	100	8-Bit Y/C Capture	Digital video input is in YCbCr 4:2:2 with 8-bit resolution on parallel Y and Cb/Cr multiplexed channels.
0	110	16-Bit Raw Capture	Raw 16-bit data capture at sampling rates up to 80 MHz.
1	010	TCI Capture	8-bit parallel TCI capture at rates up to 30 MHz.

3.2 BT.656 Video Capture Mode

The BT.656 capture mode captures 8-bit 4:2:2 luma and chroma data multiplexed into a single data stream. Video data is conveyed in the order Cb, Y, Cr, Y, Cb, Y, Cr, etc. where the sequence Cb, Y, Cr refers to co-sited luma and chroma samples and the following Y value corresponds to the next luminance sample. The data stream is de-multiplexed and each component is written in packed form into separate FIFOs for transfer into Y, Cb, and Cr buffers in DSP memory. (This is commonly called planar format).

In BT.656 video capture mode, data bytes in which the 8 bits are all set to 1 (FFh) or are all set to 0 (00h) are reserved for data identification purposes and consequently, only 254 of the possible 256 8-bit words may be used to express signal value.

3.2.1 BT.656 Capture Channels

In dual channel operation, the video port can support capture of two BT.656 data streams or one BT.656 data stream and one raw data stream. In the latter case, the BT.656 stream may occur on either Channel A or Channel B. In either case, the BT.656 stream(s) must have embedded timing reference codes and the appropriate VCTL input must be used as a CAPEN signal.

If the port is configured for single channel operation, capture will take place on Channel A only. The unused half of the VDATA bus may be used for GPIO or for another peripheral function. For single channel operation, non-standard BT.656 data streams without embedded timing reference codes are supported through the use of the timing control (VCTL) input signals.

3.2.2 BT.656 Timing Reference Codes

For standard digital video, there are two reference signals, one at the beginning of each video data block (start of active video, SAV), and one at the end of each video block (end of active video, EAV). (Technically each line begins with the EAV code and ends just before the subsequent EAV code.) Each timing reference signal consists of a four sample sequence in the following format: FFh, 00h, 00h, XYh. (The FFh and 00h values are reserved for use in these timing reference signals.) The first three bytes are a fixed preamble. The fourth byte contains information defining field identification, the state of field blanking and state of line blanking. The assignment of these bits within the timing reference signal is listed in [Table 3-2](#).

Table 3-2. BT.656 Video Timing Reference Codes

Data Bit	1 st Byte (FFh)	2 nd Byte (00h)	3 rd Byte (00h)	4 th Byte (XYh)
9 (MSB)	1	0	0	1
8	1	0	0	F (field) ⁽¹⁾
7	1	0	0	V (vertical blanking) ⁽²⁾
6	1	0	0	H (horizontal blanking) ⁽³⁾
5	1	0	0	P3 (protection bit 3) ⁽⁴⁾
4	1	0	0	P2 (protection bit 2) ⁽⁴⁾
3	1	0	0	P1 (protection bit 1) ⁽⁴⁾
2	1	0	0	P0 (protection bit 0) ⁽⁴⁾

- (1) F = 0 during Field 1; F = 1 during Field 2
- (2) V = 0 elsewhere; V = 1 during field blanking
- (3) H = 0 in SAV; H = 1 in EAV
- (4) P0, P1, P2, and P3: Depends on F, V, and H state.

Bits P0, P1, P2, and P3 have different states depending on the state of bits F, V, and H as shown in [Table 3-3](#).

Table 3-3. BT.656 Protection Bits

Line Information Bits			Protection Bits			
F	V	H	P3	P2	P1	P0
0	0	0	0	0	0	0
0	0	1	1	1	0	1
0	1	0	1	0	1	1
0	1	1	0	1	1	0
1	0	0	0	1	1	1
1	0	1	1	0	1	0
1	1	0	1	1	0	0
1	1	1	0	0	0	1

The protection bits allow the port to implement a DEDSEC (double error detection, single error correction) function on the received video timing reference code. The corrected values for the F, H, and V bits based on the protection bit values are shown in [Table 3-4](#). The - entries indicate detected double bit errors that cannot be corrected. Detection of these errors causes the SERRx bit in the video port interrupt status register (VPIS) to be set.

Table 3-4. Error Correction by Protection Bits

Received P ₃ -P ₀ Bits	Received F, V, and H Bits							
	000	001	010	011	100	101	110	111
0000	000	000	000	-	000	-	-	111
0001	000	-	-	111	-	111	111	111
0010	000	-	-	011	-	101	-	-
0011	-	-	010	-	100	-	-	111
0100	000	-	-	011	-	-	110	-
0101	-	001	-	-	100	-	-	111
0110	-	011	011	011	100	-	-	011
0111	100	-	-	011	100	100	100	-
1000	000	-	-	-	-	101	110	-
1001	-	001	010	-	-	-	-	111
1010	-	101	010	-	101	101	-	101

Table 3-4. Error Correction by Protection Bits (continued)

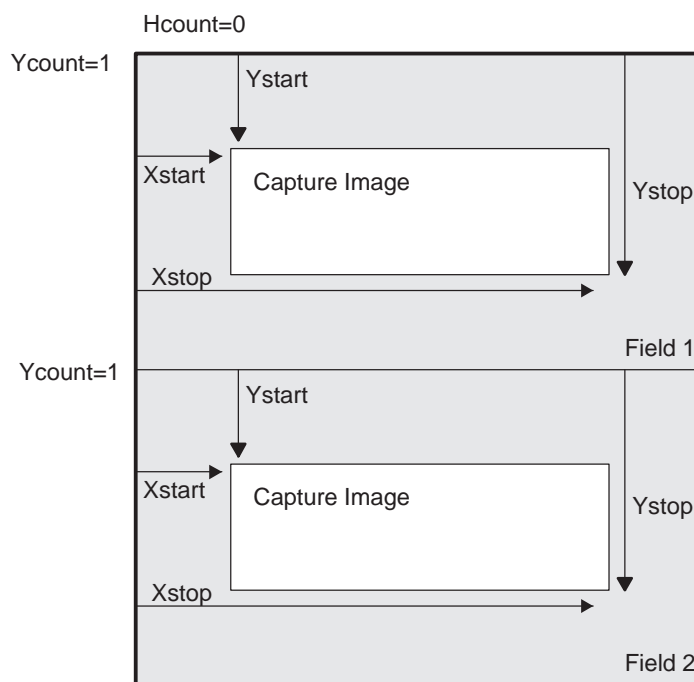
Received P ₃ -P ₀ Bits	Received F, V, and H Bits							
	000	001	010	011	100	101	110	111
1011	010	-	010	010	-	101	010	-
1100	-	001	110	-	110	-	110	110
1101	001	001	-	001	-	001	110	-
1110	-	-	-	011	-	101	110	-
1111	-	001	010	-	100	-	-	-

3.2.3 BT.656 Image Window and Capture

The BT.656 format is an interlaced format consisting of two fields. The video port allows capture of one or both fields. The captured image is a subset of each field and can be larger or smaller than the active video region. The captured image position is defined by the VCxSTRT1 and VCxSTOP1 registers for field 1, and the VCxSTRT2 and VCxSTOP2 registers for field 2. The VCXSTART and VCXSTOP bits set the horizontal window position for the field relative to the HCOUNT pixel counter. The VCYSTART and VCYSTOP bits set the vertical position relative to the VCOUNT line counter. This is shown in [Figure 3-1](#).

HCOUNT increments on every chroma sample period (every other VCLKIN rising edge) for which capture is enabled. Once VCOUNT = YSTART, line capture begins when HCOUNT = XSTART. It continues until HCOUNT = XSTOP. A field's capture is complete when HCOUNT = VCXSTOP and VCOUNT = VCYSTOP.

Figure 3-1. Video Capture Parameters



[Table 3-5](#) shows common digital camera standards and the number of fields per second, number of active lines per field, and the number of active pixels per line.

Table 3-5. Common Video Source Parameters

Video Source	Number of Active Lines (Field 1/Field 2)	Number of Active Pixels	Field Rate (Hz)
square pixel 60 Hz/525 lines	240/240	640	60
BT.601 60 Hz/525 lines	244/243	720	60
square pixel 50Hz/625 lines	288/288	768	50
BT.601 50 Hz/625 lines	288/288	720	50

For the BT.656 video capture mode, the FIFO buffer is divided into three sections (three buffers). One section is 1280 bytes deep and is dedicated for storage of Y data samples. The other two sections are dedicated for storage of Cb and Cr data samples, respectively. The buffers for Cb and Cr samples are each 640 bytes deep. The incoming video data stream is separated into Y, Cb, and Cr data streams, scaled (if selected), and the Y, Cb, and Cr buffers are filled. Each of the three buffers has a memory-mapped location associated with it; YSRC, CBSRC, and CRSRC. The YSRC, CBSRC, and CRSRC locations are read only and are used by EDMAs to access video data samples stored in the FIFOs.

If video capture is enabled (BLKCAP bit in VCxCTL is cleared), pixels in the capture window are captured in the Y, Cb, and Cr buffers. The video capture module uses the YEVT, CbEVT, and CrEVT events to notify the EDMA controller to copy data from the capture buffers to the DSP memory. The number of double words required to generate the events is set by the VCTHRLD n bits in VCxTHRLD. On every YEVT, the EDMA should move data from the Y buffer to DSP memory using the YSRC location as the source address. On every CbEVT, the EDMA should move data from the Cb buffer to DSP memory using the CBSRC location as the source address. On every CrEVT, the EDMA should move data from the Cr buffer to DSP memory using the CRSRC location as the source address. Note that transfer size from the Cb and Cr buffers is half of the transfer size from the Y buffer since for every four Y samples, there are two Cb and two Cr samples.

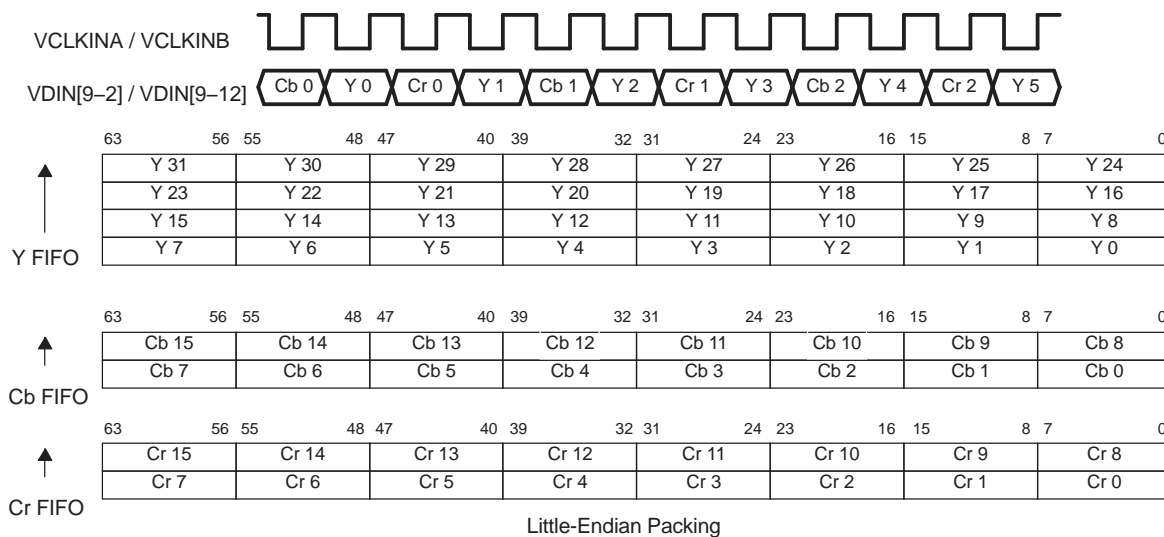
3.2.4 BT.656 Data Sampling

Incoming data (including timing codes) are sampled and the HCOUNT counter advanced only on clock cycles for which the CAPEN input is active. Inputs when CAPEN is inactive are ignored. The timing reference codes are recognized only when three sequential samples with CAPEN valid are the FFh, 00h, 00h sequence. A non-00h sample after the FFh or after the first 00h causes the timing reference recognition logic to be reset and to look for FFh again. (Unsampled data; those with CAPEN inactive; in the middle of a timing reference do not cause the recognition logic to be reset since these are not considered to be valid inputs.)

3.2.5 BT.656 FIFO Packing

Captured data is always packed into 64-bits before being written into the capture FIFO(s). By default, data is packed into the FIFO from right to left.

The 8-bit BT.656 mode uses three FIFOs for color separation. Samples are packed into each word as shown in [Figure 3-2](#).

Figure 3-2. 8-Bit BT.656 FIFO Packing


3.3 Y/C Video Capture Mode

The Y/C capture mode is similar to the BT.656 capture mode but captures 8-bit 4:2:2 data on separate luma and chroma data streams. One data stream contains Y samples and the other stream contains multiplexed Cb and Cr samples co-sited with every other Y sample. The Y samples are written into a Y FIFO and the chroma samples are de-multiplexed and written into separate Cb and Cr FIFOs for transfer into Y, Cb, and Cr buffers in DSP memory.

The Y/C capture mode supports HDTV standards such as SMPTE260, SMPTE296, and BT.1120 with embedded EAV and SAV codes. It also supports SDTV YCbCr modes that use separate control signals (sometimes called CCIR601 mode)

As with the BT.656 capture mode, data bytes where the 8 most-significant bits are all set to 1 (FFh) or are all cleared to 0 (00h) are reserved for data identification purposes and consequentially only 254 of the possible 256 8-bit words may be used to express signal value.

3.3.1 Y/C Capture Channels

Because Y/C mode requires the entire VDATA bus, only single channel operation is supported. If the DCHDIS bit in VPCTL is set, then Y/C mode cannot be selected. Y/C capture takes place on channel A only. Both embedded timing references and external control inputs are supported.

3.3.2 Y/C Timing Reference Codes

Many high-resolution Y/C interface standards provide for embedded timing reference codes. These codes are identical to those used in the BT.656 standard except that they appear on both the luma (Y) and chroma (CbCr) data streams in parallel.

3.3.3 Y/C Image Window and Capture

The SDTV Y/C format (CCIR601) is an interlaced format consisting of two fields just like BT.656. HDTV Y/C formats may be interlaced or progressive scan. For interlaced capture, the capture windows are programmed identically to BT.656 mode. For progressive scan formats, only field1 is used.

In Y/C mode, HCOUNT increments on every luma sample period (every VCLKINA rising edge) for which capture is enabled. Once YCOUNT = YSTART, line capture begins when HCOUNT = XSTART. It continues until HCOUNT = XSTOP. A field's capture is complete when HCOUNT = VCXSTOP and VCOUNT = VCYSTOP.

For the Y/C video capture mode, the FIFO buffer is divided into three sections (three buffers). One section is 2560 bytes deep and is dedicated for storage of Y data samples. The other two sections are dedicated for storage of Cb and Cr data samples, respectively. The buffers for Cb and Cr samples are each 1280 bytes deep. The incoming video data stream is separated into Y, Cb, and Cr data streams, scaled (if selected) and the Y, Cb, and Cr buffers are filled. Each of the three buffers has a memory-mapped location associated with it; YSRC, CBSRC, and CRSRC. The YSRC, CBSRC, and CRSRC locations are read only and are used by EDMAs to access video data samples stored in the FIFOs. Reads must always be 64 bits.

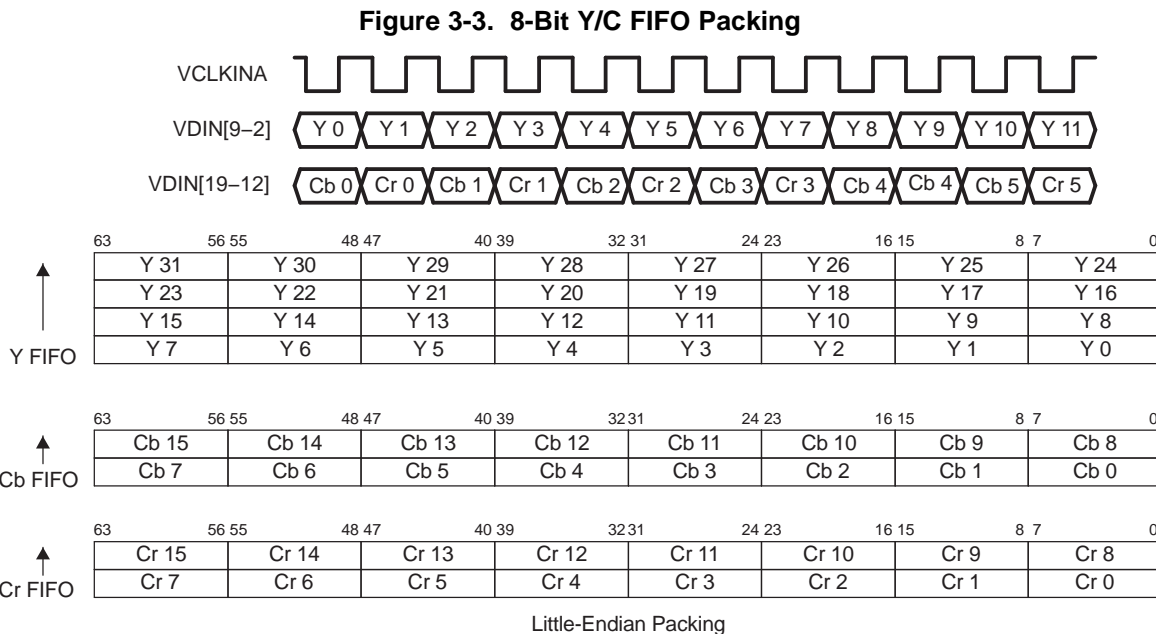
If video capture is enabled, pixels in the capture window are captured in the Y, Cb, and Cr buffers. The video capture module uses the YEVT, CbEVT, and CrEVT events to notify the EDMA controller to copy data from the capture buffers to the DSP memory. The number of pixels required to generate the events is set by the VCTHRLD n bits in VCxCTL (the VCTHRLD n value must be an even number for Y/C mode). The capture module generates the events after VCTHRLD new pixels have been received. On every YEVT, the EDMA should move data from the Y buffer to DSP memory using the YSRC register as the source address. On every CbEVT, the EDMA should move data from the Cb buffer to DSP memory using the CBSRC register as the source address. On every CrEVT, the EDMA should move data from the Cr buffer to DSP memory using the CRSRC register as the source address. Note that transfer size from the Cb and Cr buffers is half of the transfer size from the Y buffer since for every four Y samples, there are two Cb and two Cr samples.

The three EDMA events are generated simultaneously when VCTHRLD is reached. Each event is reenabled when the first read of the respective FIFO by the requested EDMA begins.

3.3.4 Y/C FIFO Packing

Captured data is always packed into 64 bits before being written into the capture FIFO(s). By default, data is packed into the FIFO from right to left.

The 8-bit Y/C mode uses three FIFOs for color separation. Samples are packed into each word as shown in Figure 3-3.



3.4 BT.656 and Y/C Mode Field and Frame Operation

Because EDMAs are used to transfer data from the capture FIFOs to memory, there is a large amount of flexibility in the way that capture fields and frames are transferred and stored in memory. In some cases, for example a EDMA structure can be created to provide a set of ping-pong or round-robin memory buffers

to which a continuous stream of fields are stored without DSP intervention. In other cases, the DSP may need to modify EDMA pointer addresses after each field or frame is captured. In some applications, only one field may be captured and the other ignored completely, or a frame may need to be ignored in order to have time to process a previous frame. The video port addresses these issues by providing programmable control over different aspects of the capture process.

3.4.1 Capture Determination and Notification

The video port treats the capture of every field as a separate operation. In order to accommodate various capture scenarios, EDMA structures, and processing flows, the video port employs a flexible capture and DSP notification method. This is programmed using the CON, FRAME, CF1, and CF2 bits in VCxCTL.

The CON bit controls the capture of multiple fields or frames. When CON = 1, continuous capture is enabled, the video port captures incoming fields (assuming the VCEN bit is set) without the need for DSP interaction. It relies on a EDMA structure with circular buffering capability to service the capture FIFOs. When CON = 0, continuous capture is disabled, the video port sets a field or frame capture complete bit (F1C, F2C, or FRMC) in VCxSTAT upon the capture of each field as determined by the state of the other capture control bits (FRAME, CF1, and CF2). Once the capture complete bit is set, at most, one more field or frame can be received before capture operation is halted. This prevents subsequent data from overwriting previous fields until the DSP has a chance to update EDMA pointers or process those fields. When a capture halt occurs, the video port stops capturing data (for the halted field). It then checks the appropriate capture complete bit at the start of each subsequent field and resumes capture if the bit has been cleared.

The CON, FRAME, CF1, and CF2 bits encode the capture operations as listed in [Table 3-6](#).

Table 3-6. BT.656 and Y/C Mode Capture Operation

VCxCTL Bit				Operation
CON	FRAME	CF2	CF1	
0	0	0	0	Reserved
0	0	0	1	Noncontinuous field 1 capture. Capture only field 1. F1C is set after field 1 capture and causes CCMPx to be set. The F1C bit must be cleared by the DSP before capture can continue. (The DSP has the entire field 2 time to clear F1C before next field 1 begins.) Can also be used for single progressive frame capture. (The DSP has vertical blanking time to clear F1C before next frame begins.)
0	0	1	0	Noncontinuous field 2 capture. Capture only field 2. F2C is set after field 2 capture and causes CCMPx to be set. The F2C bit must be cleared by the DSP before capture can continue. (The DSP has the entire field 1 time to clear F2C before next field 2 begins.)
0	0	1	1	Noncontinuous field 1 and field 2 capture. Capture both fields. F1C is set after field 1 capture and causes CCMPx to be set. The F1C bit must be cleared by the DSP before another field 1 capture can occur. (The DSP has the entire field 2 time to clear F1C before next field 1 begins.) F2C is set after field 2 capture and causes CCMPx to be set. The F2C bit must be cleared by the DSP before another field 2 capture can occur. (The DSP has the entire field 1 time to clear F2C before next field 2 begins.)
0	1	0	0	Noncontinuous frame capture. Capture both fields. FRMC is set after field 2 capture and causes CCMPx to be set. Capture halts upon completion of the next frame unless the FRMC bit is cleared. (The DSP has the entire next frame time to clear FRMC.)
0	1	0	1	Noncontinuous progressive frame capture. Capture field 1. FRMC is set after field 1 capture and causes CCMPx to be set. Capture halts upon completion of the next frame unless the FRMC bit is cleared. (The DSP has the entire next frame time to clear FRMC.)
0	1	1	0	Reserved
0	1	1	1	Single frame capture. Capture both fields. FRMC is set after field 2 capture and causes CCMPx to be set. Capture halts until the FRMC bit is cleared. (The DSP has the field 2 to field 1 vertical blanking time to clear FRMC.)
1	0	0	0	Reserved

Table 3-6. BT.656 and Y/C Mode Capture Operation (continued)

VCxCTL Bit				Operation
CON	FRAME	CF2	CF1	
1	0	0	1	Continuous field 1 capture. Capture only field 1. F1C is set after field 1 capture and causes CCMPx to be set (CCMPx interrupt can be disabled). The video port continues capturing field 1 fields, regardless of the state of F1C.
1	0	1	0	Continuous field 2 capture. Capture only field 2. F2C is set after field 2 capture and causes CCMPx to be set (CCMPx interrupt can be disabled). The video port continues capturing field 2 fields, regardless of the state of F2C.
1	0	1	1	Reserved
1	1	0	0	Continuous frame capture. Capture both fields. FRMC is set after field 2 capture and causes CCMPx to be set (CCMPx interrupt can be disabled). The video port continues capturing frames, regardless of the state of FRMC.
1	1	0	1	Continuous progressive frame capture. Capture field 1. FRMC is set after field 1 capture and causes CCMPx to be set (CCMPx interrupt can be disabled). The video port continues capturing frames, regardless of the state of FRMC. (Functions identically to continuous field 1 capture mode except the FRMC bit is used instead of the F1C bit.)
1	1	1	0	Reserved
1	1	1	1	Reserved

3.4.2 Vertical Synchronization

The video port uses a capture window to determine which incoming data samples to capture in each field. The capture module uses a vertical line counter (VCOUNT) to track which video line is currently being received. The line counter is compared to the appropriate capture window start (VCYSTART1 or VCYSTART2) and stop (VCYSTOP1 or VCYSTOP2) values for the current field to determine if the current line is within the capture window. In order to correctly align the capture window within the field, the capture module must know which line should correspond to the first line of the field, that is, when to reset the line counter. This point may vary depending on the type of capture being performed and the signals available for vertical synchronization. The video port allows the vertical counter reset trigger to be determined by programming the EXC and VRST bits in VCxCTL. The encoding of these bits is shown in [Table 3-7](#). Note that VModes 2 and 3 are only available for single channel operation (channel A).

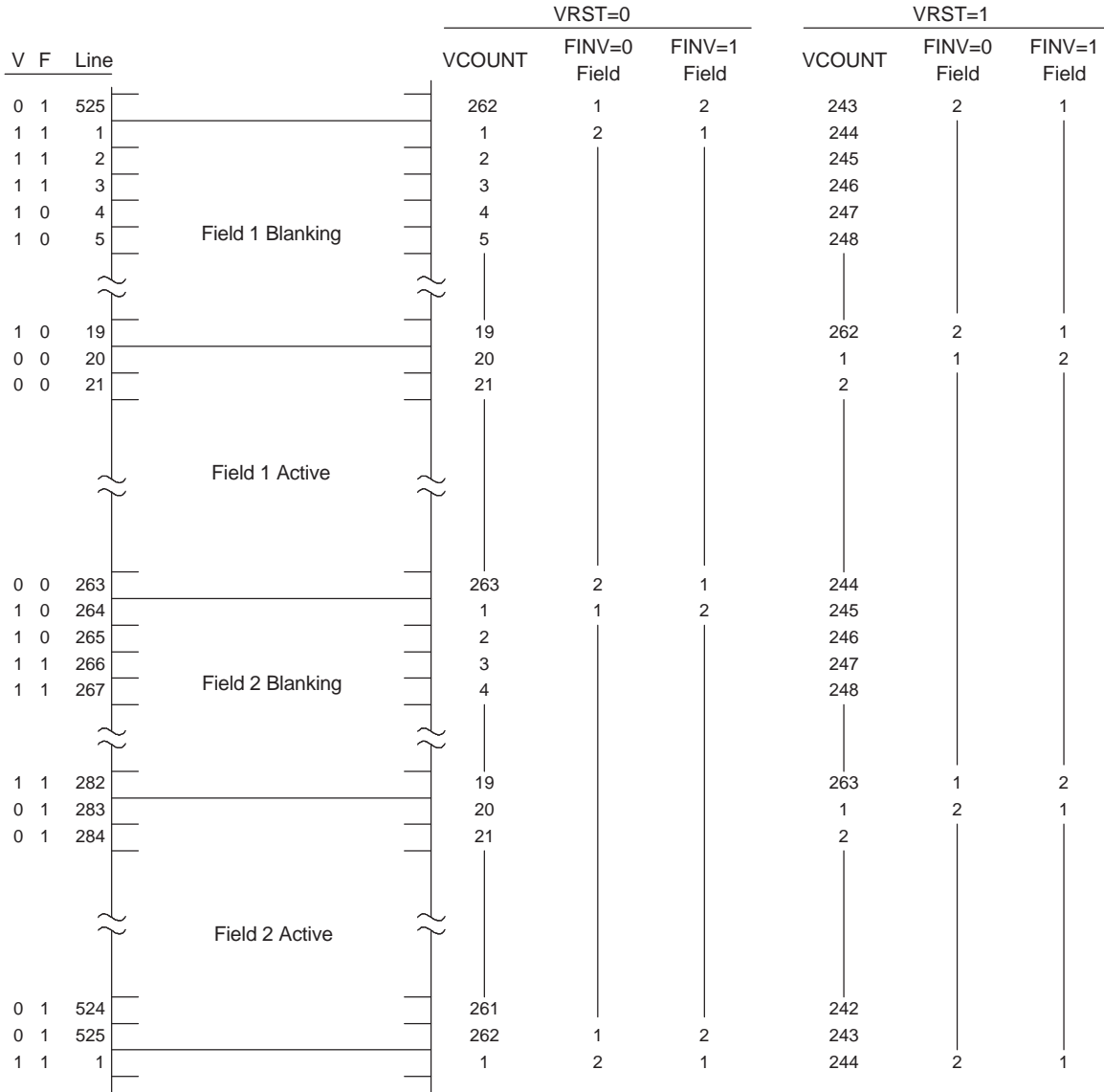
Table 3-7. Vertical Synchronization Programming

VMode	VCxCTL Bit		Vertical Counter Reset Point
	EXC	VRST	
0	0	0	First EAV with V=1 after EAV with V=0 - beginning of vertical blanking period. VCOUNT increments on each EAV.
1	0	1	First EAV with V=0 after EAV with V=1 - first active line. VCOUNT increments on each EAV.
2	1	0	On HCOUNT reset after VCTL2 input active edge - beginning of vertical blanking or vertical sync period. (VCTL2 must be configured as vertical control signal). VCOUNT increments when HCOUNT is reset.
3	1	1	On HCOUNT reset after VCTL2 input inactive edge - end of vertical sync or first active scan line. (VCTL2 must be configured as vertical control signal). VCOUNT increments when HCOUNT is reset.

VMode 0 is used for BT.656 or Y/C capture (with embedded control) and corresponds to most digital video standards that number lines beginning with the start of vertical blanking. VMode 1 can also be used for BT.656 or Y/C capture but counts from the first active video line. This makes field detection more straightforward in some instances (see [Section 3.4.4](#)) and allows the VCYSTART_n bit to be set to 1, but also has the effect of associating vertical blanking periods with the end of the previous field rather than the beginning of the current field. (This could be an issue when capturing VBI data.) VCOUNT operation for VMode 0 and VMode 1 is shown in [Figure 3-4](#).

VMode 2 and VMode 3 are used for BT.656 or Y/C capture without embedded EAV/SAV codes and allow alignment with either the active or inactive edge of the vertical control signal on VCTL2. This can be a VBLNK or VSYNC signal from the video decoder.

Figure 3-4. VCOUNT Operation Example (EXC = 0)



3.4.3 Horizontal Synchronization

Horizontal synchronization determines when the horizontal pixel/sample counter is reset. The EXC and HRST bits in VCxCTL allow you to program the event that triggers the start of a line. The encoding of these bits is shown in Table 3-8.

Table 3-8. Horizontal Synchronization Programming

HMode	VCxCTL Bit		Horizontal Counter Reset Point
	EXC	HRST	
0	0	0	EAV code (H=1) - beginning of horizontal blanking.
1	0	1	SAV code (H=0) - Start of active video.
2	1	0	VCTL1 input active edge - beginning of horizontal blanking or horizontal sync period. (VCTL1 must be configured as a horizontal control signal.)
3	1	1	VCTL1 input inactive edge - first active pixel on line or end of horizontal sync. (VCTL1 must be configured as a horizontal control signal.)

HMode 0 is used for BT.656 or Y/C capture (with embedded control) and corresponds to the idea that each line begins with the horizontal blanking period. It does not align with most standards that start counting with the first active pixel; therefore, is only useful if capturing of HANC data before the SAV code is desired. HMode 1 is the default mode and corresponds to most digital video standards by making the first active pixel pixel0. It has the effect of associating horizontal blanking periods with the end of the previous line rather than the beginning of the line, but this is only an issue if you try to capture HANC data. In either mode, HCOUNT increments on every VCLKIN edge for Y/C operation and on every other VCLKIN edge for BT.656 operation but only when CAPEN is active. HCOUNT operation for HMode 1 and HMode 2 is shown in Figure 3-5.

HMode 2 and HMode 3 are used for BT.656 or Y/C capture without embedded EAV/SAV code and allow alignment with either the beginning of the horizontal blanking period or the first active pixel, or the beginning or end of horizontal sync depending on the VCTL1 input. When VCTL1 is configured as a horizontal control input, no external CAPEN signal is available so the CAPEN signal is considered to always be active. HCOUNT operation for HMode 3 and HMode 4 is shown in Figure 3-6 for VCTL operating as either HSYNC or AVID.

Figure 3-5. HCOUNT Operation Example (EXC = 0)

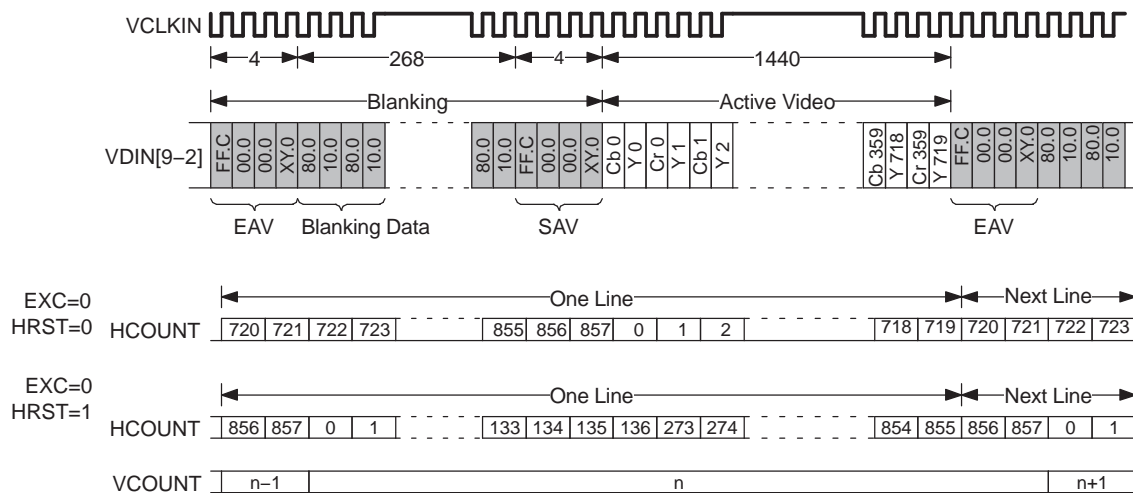
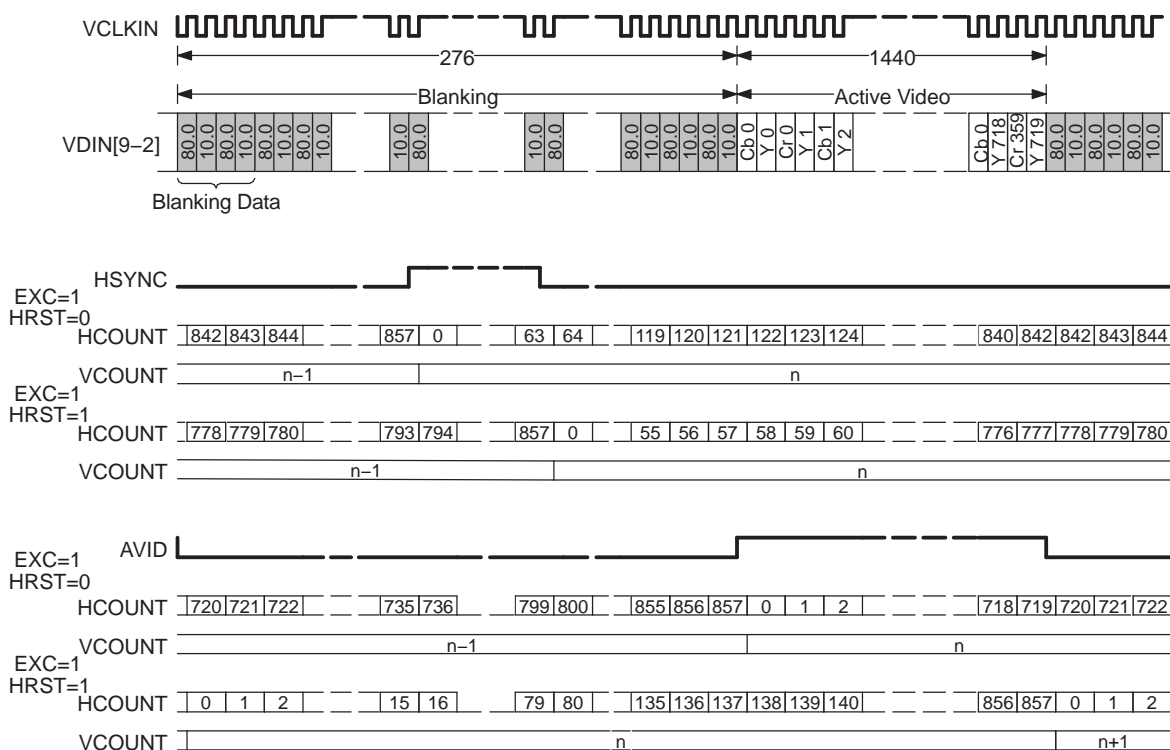


Figure 3-6. HCOUNT Operation Example (EXC = 1)



3.4.4 Field Identification

In order to properly synchronize to the source data stream and capture the correct fields, field identification needs to be performed. Field identification is made using one of three methods: EAV, field indicator input, or field detect logic. The field identification method is determined by the EXC, FLDD, and FINV bits in VCxCTL.

Table 3-9. Field Identification Programming

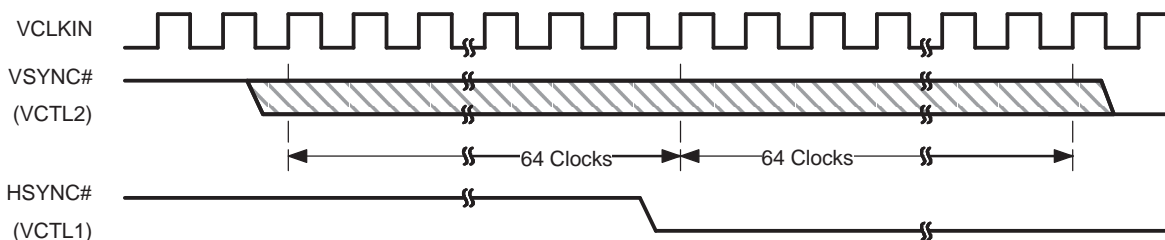
VCxCTL Bit			Field Detect Method
EXC	FLDD		
0	0		EAV code
0	1		EAV code
1	0		Use FID input
1	1		Use field detect (from HSYNC and VSYNC inputs)

In the BT.656 standard and in many Y/C standards, a field identification (F) bit is contained in EAV and SAV codes embedded in the data stream. In the EAV field detect method, the F bit in the EAV of the first line of every field is checked. If F = 0, then the current field is defined as field 1. If F = 1, then the current field is defined as field 2. Depending on how the first line of a field is defined (as determined by the VRST bit in VCxCTL) and the video stream being captured, the F value at the start of a field may not reflect the actual field being supplied. The FINV bit in VCxCTL allows the detected field value to be inverted. (For example, in BT.656 525/60 operation, the F bit changes to 0 to indicate field 1 on the fourth line of the field. If the VRST bit is set so the line counter begins counting at line 1 of the field (the first EAV where V is 1), then the F bit still indicates field 2 (F = 1) and needs to be inverted. If the VRST bit is set to start counting lines beginning with the first active line (the first EAV where V is 0), the F value will have already changed to indicate field 1 (F = 0) and no inversion is necessary.)

The field indicator method uses the FID input directly to determine the current field. This is useful for Y/C data streams that do not have embedded EAV and SAV codes. The FID input is sampled at the start of each field. If FID = 0, then field 1 is starting; if FID = 1, then field 2 is starting. The start of each field is defined by the VRST bit in VCxCTL and is either the start or end of vertical blanking as determined by the VBLNK input. The FINV bit may be used in this method in systems where the FID input has the opposite polarity or where the field identification change lags the start of the field.

The field detect method uses HSYNC and VSYNC based field detect logic. This is used for BT.656 or Y/C systems that provide only HSYNC and VSYNC. The field detect logic samples the state of the HSYNC input on the VSYNC active edge. If HSYNC is active on the active VSYNC edge, then field 1 is detected; if HSYNC is inactive on the active VSYNC edge, then field 2 is detected. Because of slight timing variations, the VSYNC transition may not coincide exactly with the HSYNC transition. The detection logic should implement a ± 64 clock detection window around HSYNC. If both HSYNC and VSYNC leading edges occur within 64 cycles of each other, then field 1 is detected; otherwise, field 2 is assumed. This is shown in [Figure 3-7](#) for active-low sync signals.

Figure 3-7. Field 1 Detection Timing



3.4.5 Short and Long Field Detect

The short and long field detect logic is used to notify the DSP when a captured field shorter or longer than expected. Detection is enabled by the SFDE and LFDE bits in VCxCTL. The SFD and LFD bits in VPIS indicate when a short or long field occurred and trigger an interrupt to the DSP if enabled.

If a vertical blanking period is detected before the end of the capture field, a short field is detected. If EAV is used for vertical sync (EXC = 0), then a short field is detected when an EAV with V = 1 occurs on or before VCOUNT = VCYSTOP_n. If the VCTL2 input is used for vertical sync (EXC = 1), then a short field is detected if a VCTL2 active edge occurs before VCOUNT = (VCYSTOP_n).

If a vertical blanking period occurs more than 1 line past the end of the capture field, a long field is detected. A long field is detected when VCOUNT = VCYSTOP_n + 1. (A long field is only detected when the VRST bit in VCxCTL is cleared to 0; when VRST = 1, a long field is always detected.) Long field detection cannot be used if the capture window is a vertical subset of the field that crops lines at the bottom. Such a window would always result in a long field detection. If VCTL2 is used for vertical sync, then the VCTL2 signal must represent VBLNK (vertical blank) for proper long field detect. If VCTL2 is a VSYNC (vertical sync) input, then a long field is always detected. (Even if VCYSTOP_n is set to the last active line, VCOUNT usually increments past VCYSTOP_n + 1 while it counts the vertical front porch lines that occur prior to VSYNC active.) Long field detection is only available when VRST is configured to be reset at the start of vertical blanking (VRST=0 in VCX_CTL).

3.5 Video Input Filtering

The video input filter performs simple hardware scaling and re-sampling on incoming 8-bit BT.656 or 8-bit Y/C data. Filtering hardware is always disabled during raw data capture modes. For proper filter operation, the channel's EXC bit in VCxCTL must be cleared to 0 (embedded timing reference codes used) and the CAPEN input must not go inactive during the active video window.

3.5.1 Input Filter Modes

The input filter has four modes of operation: no-filtering, 1/2 scaling, chrominance re-sampling, and 1/2 scaling with chrominance re-sampling. Filter operation is determined by the CMODE, SCALE, and RESMPL bits of VCxCTL.

Table 3-10 shows the input filter mode selection. When 8-bit BT.656 or Y/C capture operation is selected (CMODE = x00), scaling is selected by setting the SCALE bit and chrominance re-sampling is selected by setting the RESMPL bit. If 8-bit BT.656 or Y/C capture is not selected (CMODE ≠ x00), filtering is disabled.

Table 3-10. Input Filter Mode Selection

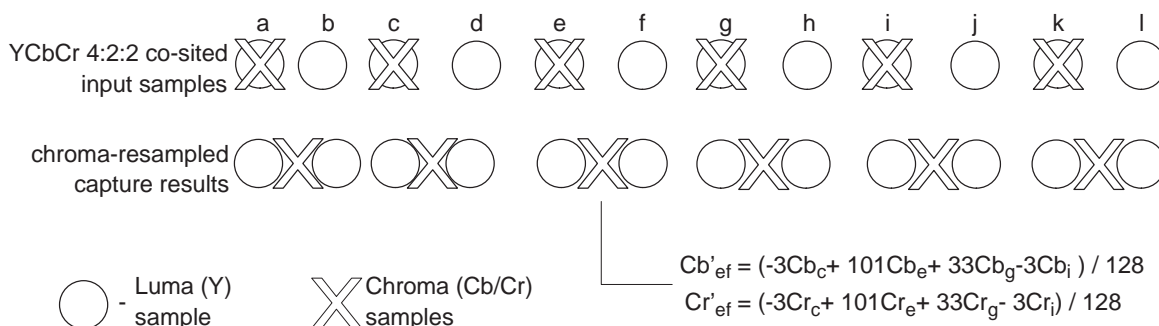
CMODE	VCxCTL Bit		Filter Operation
	RESMPL	SCALE	
x00	0	0	No filtering
x00	0	1	1/2 scaling
x00	1	0	Chrominance re-sampling (full scale)
x00	1	1	1/2 scaling with chrominance re-sampling
x01	x	x	No filtering
x10	x	x	No filtering
x11	x	x	No filtering

3.5.2 Chrominance Re-sampling Operation

Chrominance re-sampling computes chrominance values at sample points midway between the input luminance samples based on the input co-sited chrominance samples. This filter performs the horizontal portion of a conversion between YCbCr 4:2:2 format and YCbCr 4:2:0 format. The vertical portion of the conversion must be performed in software.

The chrominance re-sampling filters calculate the implied value of Cb and Cr in between luminance sample points based upon nearby co-sited Cb and Cr samples. The resulting values are clamped to between 01h and FEh and sent to the Cb and Cr capture buffers. Chrominance re-sampling is shown in Figure 3-8.

Figure 3-8. Chrominance Re-sampling



3.5.3 Scaling Operation

The 1/2 scaling mode is used to reduce the horizontal resolution of captured luminance and chrominance data by a factor of two. For applications that require only CIF or lower resolutions, this reduces the video capture buffer memory requirements (and the bandwidth needed to write the buffer) by a factor of two. Vertical scaling must be performed in software. (The bandwidth to load in the buffer is again reduced by 50% over the non-horizontal scaled case.)

The filtering for the luminance portion of the scaling filter changes depending on if chrominance re-sampling is also enabled. (By changing the luminance filter, the chrominance filters can remain the same.) The resulting values are clamped to between 01h and FEh and sent to the Y, Cb, and Cr capture buffers. Scaling for co-sited capture is shown in Figure 3-9 and scaling for chrominance re-sampling is shown in Figure 3-10.

Figure 3-9. 1/2 Scaled Co-Sited Filtering

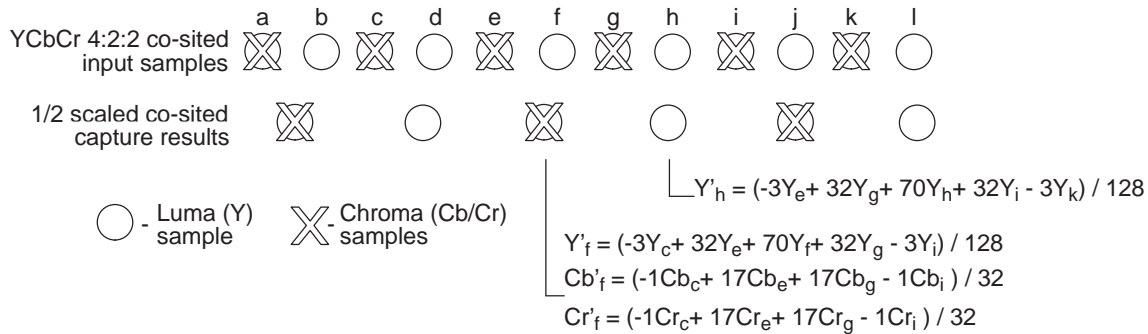
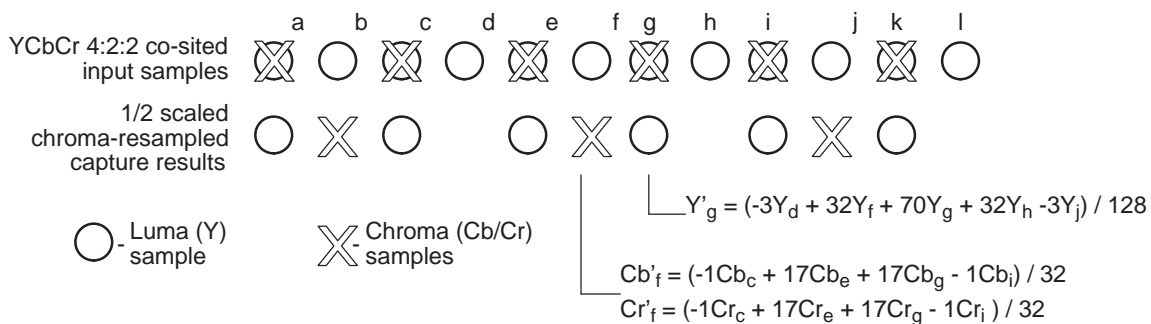


Figure 3-10. 1/2 Scaled Chrominance Re-sampled Filtering



Note that because input scaling is limited to 1/2, true CIF horizontal resolution is not achieved if the full BT.656 horizontal line (720 pixels) is captured. A CIF size line can be captured by selecting a 704 pixel-sized window within the BT.656 line. This window size and location on the line are programmed using the VCXSTART n and VCXSTOP n bits.

Note that when 1/2 scaling is selected, horizontal timing applies to the incoming data (before scaling). The VCTHRLD value applies to the data written into the FIFO after scaling.

Also note when using the scalar, standard BT.601 values should be used for the luma and chroma (16-240) data. Using values beyond this range may result in overflow and underflow. The scalar does not saturate the data; therefore, data going below 00h or above FFh will not be clipped, resulting in image degradation.

3.5.4 Edge Pixel Replication

Because the filters make use of preceding and trailing samples, filtering artifacts can occur at the beginning of the BT.656 or Y/C active line because no samples exist before the SAV code, and at the end of the BT.656 active line because no samples exist after the EAV code. In order to minimize artifacts, the first m samples after sample 0 (where m is the maximum number of preceding samples used by any of the filters) are mirrored to the left of sample 0 and the last m samples before the last sample are mirrored to the right of the last sample.

Figure 3-11 shows edge pixel replication assuming an m value of 3. Sample a is the first sample after the SAV code. Therefore, samples b-d are mirrored to the left of sample a to provide values for the filter calculations on the first few pixels in the line. Likewise, samples $n - 1$ to $n - 3$ are mirrored to the right of the last sample n to provide values for the last few pixels on the line.

Note that edge pixel replication only comes into effect when the full BT.656 stream is being captured. If VCXSTART is greater than 0, then only some of the leading edge replicated pixels are used by the filter. If VCXSTART is greater than m , then none of the leading edge replicated pixels are used. Similarly, if VCXSTOP is less than the number of samples before EAV, then none or only some of the trailing edge replicated pixels are used by the filters.

Figure 3-11. Edge Pixel Replication

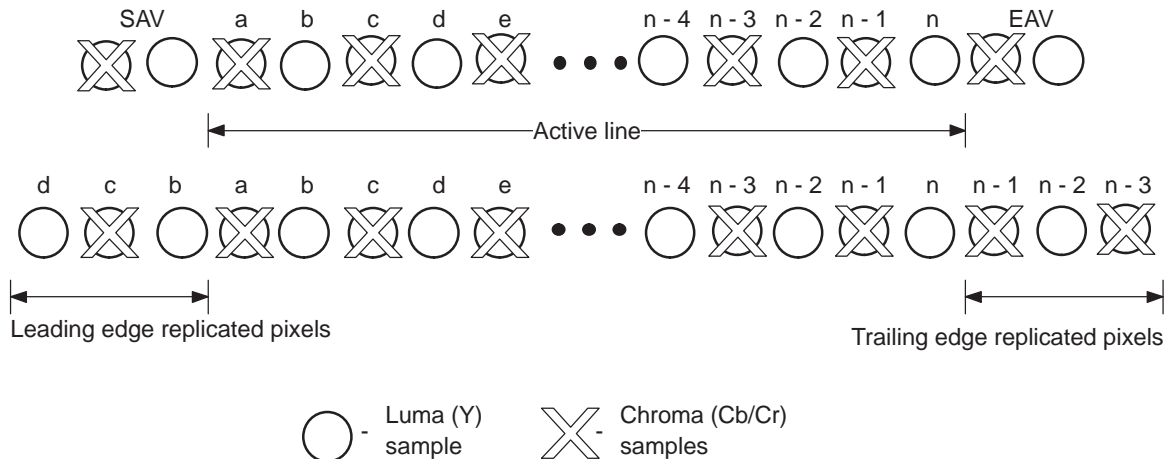
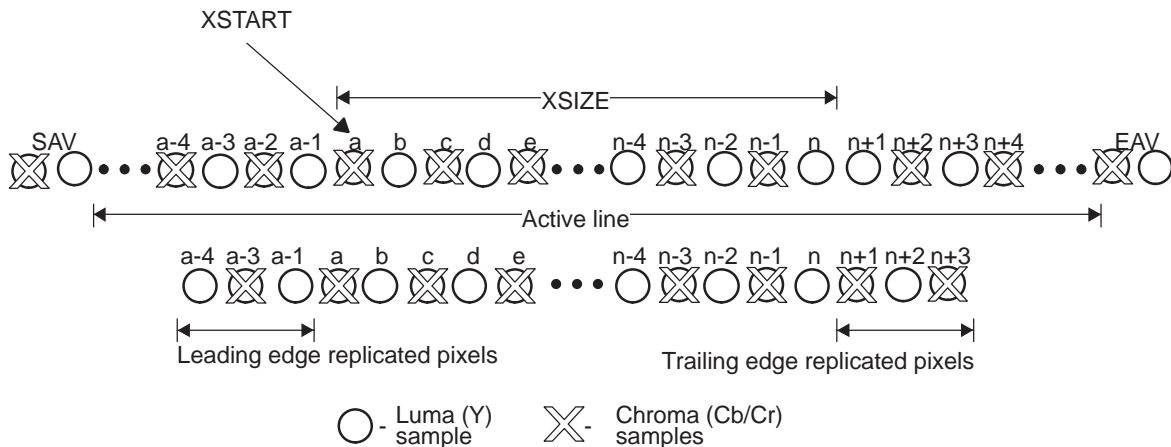


Figure 3-12 shows an example of a capture window that is smaller than the BT.656 active line. Sample a is the first sample in the horizontal capture window and sample n is the last sample. In this case, any filtering done on the first sample location uses the m leading edge captured pixels (m is 3 in this example), and any filtering done on the last sample location uses the m trailing captured pixels. (From an implementation standpoint, the mirroring and filtering can still begin and end with SAV and EAV, but the samples before VCXSTART or after VCXSTOP must not be saved to the YCbCr buffers.)

Figure 3-12. Capture Window Not Requiring Edge Pixel Replication



3.6 Ancillary Data Capture

The BT.656 and some Y/C specifications includes provision for carrying ancillary (non-video) data within the horizontal and vertical blanking regions. Horizontal ancillary (HANC) data appears between the EAV code and SAV codes. Vertical ancillary (VANC) data, also called vertical blanking interval (VBI) data, appears during the active horizontal line portion of vertically blanking (for example, after an SAV with $V = 1$). Ancillary data blocks are always preceded by an ancillary data header 00h, FFh, FFh.

3.6.1 Horizontal Ancillary (HANC) Data Capture

No special provisions are made for the capture of HANC data. HANC data may be captured using the normal video capture mechanism by programming VCXSTRT to occur before the SAV (when HCOUNT is reset by the EAV code) or by programming VCXSTOP to occur past the EAV code (when HCOUNT is reset by the SAV code). Note that the EAV code and any subsequent HANC data will still be YCbCr separated. Software must parse the Y, Cb, and Cr memory buffers to determine any HANC data presence and to reconstruct the HANC data. The VCTHRLD value and EDMA size must be programmed to comprehend the additional samples. You must disable scaling and chroma re-sampling when including the capture of HANC data to prevent data corruption.

3.6.2 Vertical Ancillary (VANC) Data Capture

VANC (or VBI) data is commonly used for such features as teletext and closed-captioning. No special provisions are made for the capture of VBI data. VBI data may be captured using the normal capture mechanism by programming VCYSTART to occur before the first line of active video on the first line of desired VBI data. (VCOUNT must be reset by an EAV with V = 1). Note that the VBI data will be YCbCr separated. Software must parse the Y, Cb, and Cr memory buffers to determine any VBI data presence and to reconstruct the VBI data. You must disable scaling and chroma re-sampling when the capture of VBI data is desired or the data will be corrupted by the filters.

3.7 Raw Data Capture Mode

In the raw data capture mode, the data is sampled by the interface only when the CAPEN signal is active. Data is captured at the rate of the sender's clock, without any interpretation or start/stop of capture based on the data values.

To ensure initial capture synchronization to the beginning of a frame, an optional setup synchronization enable (SSE) bit is provided in VCxSTRT1. If the SSE bit is set, then when the VCEN bit is set to 1, the video port will not start capturing data until after detecting two vertical blanking intervals. If the SSE bit is cleared to 0, capture begins immediately when the VCEN bit is set.

The incoming digital video capture data is stored in the FIFO, which is 2560-bytes (in dual-channel operation) or 5120-bytes deep (in single-channel operation). The memory-mapped location YSRCx is associated with the Y buffer. The YSRCx location is a read-only register and is used to access video data samples stored in the buffer.

The captured data set size(image size) is set by VCxSTOPn. The VCXSTOP and VCYSTOP bits set the 24-bits of data set size(VCXSTOP sets the lower 12 bits and VCYSTOP sets the upper 12 bits). Capture is complete and the appropriate F1C, F2C, or FRMC bit is set when the captured data size reaches the combined VCYSTOP and VCXSTOP value. The CAPEN signal must go inactive for a minimum of two VPCLK cycles after the pixel count has expired. Keeping the CAPEN signal active after the pixel count expires may cause a loss of pixels; therefore, it is not recommended to permanently enable the CAPEN signal during raw data capture mode.

The video port generates a YEVT after the specified number of new samples has been captured in the buffer. The number of samples required to generate YEVTx is programmable and is set in the VCTHRLDn bits of VCxTHRLD. On every YEVT, the EDMA should move data from the buffer to the DSP memory. When moving data from the buffer to the DSP memory, the EDMA should use the YSRCx location as a source address.

3.7.1 Raw Data Capture Notification

Raw data mode captures a single data packet of information using only CAPEN for control. Field information is available only for channel A operation using the FID input on VCTL3. If the RDFE bit in VCACTL is set, then the video port samples the FID input at the start of each data block (when DCOUNT = 0 and CAPENA is active) to determine the current field. In this case, the CON, FRAME, CF1, and CF2 bits in VCxCTL are used in a manner identical to BT.656 mode (see [Section 3.4.1](#)).

For channel B operation or when the RDFE bit in VCACTL is not set, no field information is available. Some flexibility in capture and DSP notification is still provided in order to accommodate various EDMA structures and processing flows. Each raw data packet is treated similar to a progressive scan video frame. The raw data mode uses the CON and FRAME bits of VCxCTL in a slightly different manner, as listed in [Table 3-11](#).

Table 3-11. Raw Data Mode Capture Operation

VCxCTL Bit				Operation
CON	FRAME	CF2	CF1	
0	0	x	x	Noncontinuous frame capture. FRMC is set after data block capture and causes CCMPx to be set. Capture will halt upon completion of the next frame unless the FRMC bit is cleared. (DSP has the entire next frame time to clear FRMC.)
0	1	x	x	Single frame capture. FRMC is set after data block capture and causes CCMPx to be set. Capture is halted until the FRMC bit is cleared.
1	0	x	x	Continuous frame capture. FRMC is set after data block capture and causes CCMPx to be set (CCMPx interrupt can be disabled). The port will continue capturing frames regardless of the state of FRMC.
1	1	x	x	Reserved

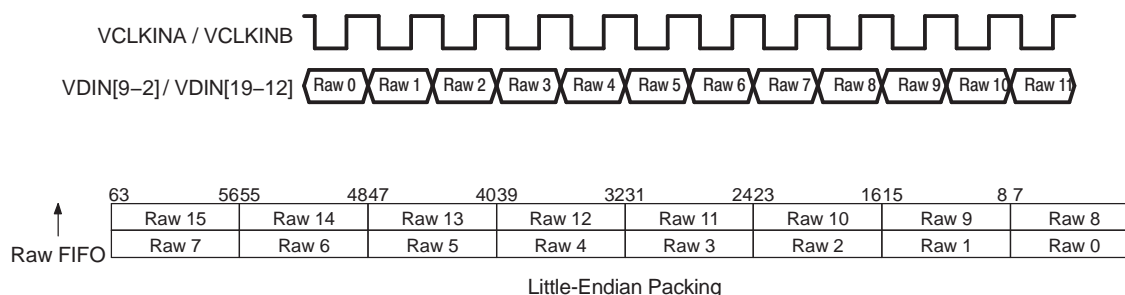
The CON bit controls the capture of multiple frames. When CON = 1, continuous capture is enabled, the video port captures incoming frames (assuming the VCEN bit is set) without the need for DSP interaction. It relies on a EDMA structure with circular buffering capability to service the capture FIFO. When CON = 0, continuous capture is disabled, the video port sets the frame capture complete bit (FRMC) in VCxSTAT upon the capture of each frame. Once the capture complete bit is set, at most, one more frame can be received before capture operation is halted (as determined by the FRAME bit state). This prevents subsequent data from overwriting previous frames until the DSP has a chance to update EDMA pointers or process those fields.

3.7.2 Raw Data FIFO Packing

Captured data is always packed into 64-bits before being written into the capture FIFO(s). By default, data is packed into the FIFO from right to left.

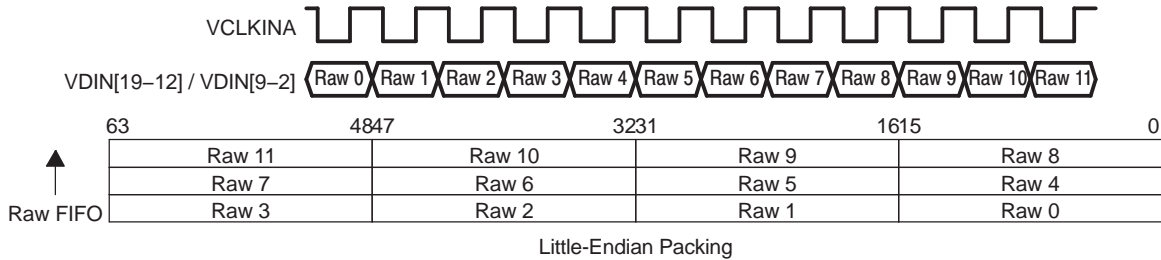
The 8-bit raw-data mode stores all data in a single FIFO. Samples are packed together as shown in [Figure 3-13](#).

Figure 3-13. 8-Bit Raw Data FIFO Packing



The 16-bit raw data mode stores all data into a single FIFO. Samples are packed together as shown in [Figure 3-14](#).

Figure 3-14. 16-Bit Raw Data FIFO Packing



3.8 TCl Capture Mode

The transport channel interface (TCl) capture mode captures MPEG-2 transport data.

3.8.1 TCl Capture Features

The video port TCl capture mode supports the following features:

- Supports SYNC detect using the PACSTRT input from a front-end device.
- Data capture at the rising edge of incoming VCLK1.
- Parallel data reception.
- Maximum data rate of 30 Mbytes/second.
- Programmable packet size.
- Hardware counter mechanism to timestamp incoming packet data.
- Programmable filtering of packets with errors.
- Interrupt to the DSP, based on absolute system time or system time clock cycles.

The video port does not perform following functions; these functions should be performed in software:

- PID filtering
- Data parsing
- De-scrambling of data

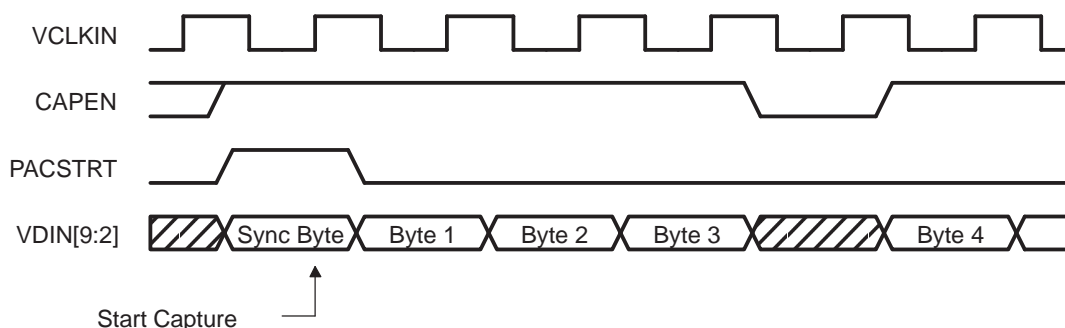
3.8.2 TCl Data Capture

Eight-bit parallel data is received on the input data bus. Data is captured on the rising edge of VCLKIN. The data consists typically of 188-byte packets, with the first byte a SYNC byte (also called a preamble). The capture packet length is determined by the value of VCASTOP.

Data on the data bus is considered valid and captured only when the CAPEN signal is active. TCl data capture begins with a SYNC byte as indicated by PACSTRT (and CAPEN) active. (The SYNC byte may have any value.) Data is captured on each VCLK rising edge when CAPEN is active until the entire packet has been captured, irrespective of additional PACSTRT transitions. The end-of-packet condition occurs when the 24-bit capture byte counter (as reflected by the VCYP0S and VCXPOS bits of VCASTAT) equals the value in the VCYST0P and VCXSTOP bits of VCASTOP. The captured data includes both SYNC byte and the data payload as shown in [Figure 3-15](#).

After a packet is captured, the video port waits for the next active PACSTRT to begin capture of another packet. Received packet data is packed into 64 bits before being written to the FIFO.

Figure 3-15. Parallel TCI Capture



3.8.3 TCI Capture Error Detection

The video port checks for two types of errors during TCI capture. The first is a packet error on the incoming packet as indicated by an active PACERR signal. If PACERR is active during any of the first eight bytes of a packet and error packet filtering is enabled (ERRFILT bit in TCICL is set), then the video port will ignore (not capture) the incoming data until the next PACSTRT is received. If error packet filtering is not enabled or if PACERR becomes active sometime after the first eight bytes of the packet, the entire packet is captured and the PERR bit is set in the timestamp inserted at the end of the packet.

The second error detected is an early PACSTRT error. This occurs when an active PACSTRT is detected before an entire packet (as determined by the packet size programmed in VCASTOP) has been captured. The port will continue to capture the expected packet size but will set the PSTERR bit in the timestamp inserted at the end of the packet. After capture completion, the port will wait for a subsequent PACSTRT before beginning capture of another packet.

3.8.4 Synchronizing the System Clock

Note: When you are using TCI capture mode, you must clock the STCLK input. If you do not need to synchronize to the system clock, you should clock STCLK via the VPxCLK0 input.

Synchronization is an important aspect of decoding and presenting data in real-time digital data delivery systems. This is addressed in MPEG-2 transport packets by transmitting timing information in the adaptation fields of selected data packets. This value serves as a reference for timing comparison in the receiving system. The program clock reference (PCR) header, shown in Figure 3-16, is a 48-bit field (six bits are reserved). A 42-bit value is transmitted within the 48-bit stream and consists of a 33-bit PCR field that represents a 90-kHz clock sample and a 9-bit PCR extension field that represents a 27-MHz clock sample. The PCR indicates the expected time at the completion of reading the field from the bit stream at the transport decoder. The transport data packets are in-sync with the encoder time clock.

Figure 3-16. Program Clock Reference (PCR) Header Format

47	15	14	9	8	0
PCR		Reserved		PCR extension	

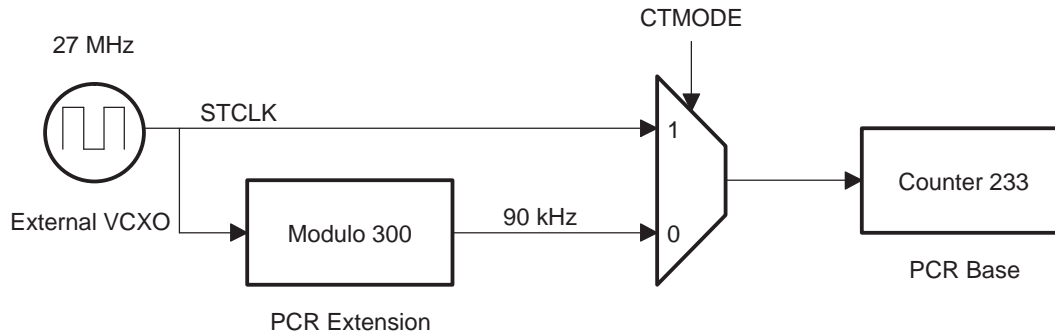
The video port, in conjunction with the VCXO interpolated control (VIC), allows a combined hardware and software solution to synchronize the local system time clock (STC) with the encoder time clock reference transmitted in the bit stream.

The video port maintains a hardware counter that counts the system time. The counter is driven by a system time clock (STCLK) input driven by an external VCXO. The counter is split into two fields: a 33-bit field (PCR base) that counts at 90 kHz and a 9-bit field (PCR extension) that counts at 27 MHz. The 9-bit

counter counts from 0 to 299 at 27 MHz. Each time the 9-bit counter rolls over to 0, the 33-bit counter is incremented by 1. This is equivalent to the PCR timestamp transmitted in the bit-stream. The 33-bit field can also be programmed to count at 27 MHz for compatibility with the MPEG-1 32-bit PCR, by setting the CTMODE bit in VCCTL to 1; in which case, the PCR extension portion of the counter is not used.

Figure 3-17 shows the system time clock counter operation.

Figure 3-17. System Time Clock Counter Operation



On reception of a packet (during the sync byte), a snapshot of the counter is captured. This snapshot, or timestamp, is inserted in the receiving FIFO at the end of each data packet. Software uses this timestamp, to determine the deviation of the local system time clock from the encoder time clock. Any time a packet with a PCR header is received, the timestamp for that packet is compared with the PCR value by software. A PLL is implemented in software to synchronize the STCLK with the encoder time clock value in the PCR. This algorithm then drives the VIC, which drives the VDAC output to the external VCXO, which supplies STCLK.

The system time clock counter is initialized by software with the PCR of the first packet with a PCR header. After initialization, the counter can be reinitialized by software upon detecting a discontinuity in subsequent packet PCR header values.

The system time is made available to the DSP at any time through the system time clock registers (TCISTCLKL and TCISTCLKM). The DSP can program the video port to interrupt the DSP whenever a specific system time is reached or whenever a specific number of system time clock cycles have elapsed.

3.8.5 TCI Data Capture Notification

Since TCI mode captures only data packets, there is no need for field control. Some flexibility in capture and DSP notification is still provided in order to accommodate various EDMA structures and processing flows. Each TCI data packet is treated similar to a progressive scan video frame. The TCI mode uses the CON and FRAME bits of VCACTL in a slightly different manner, as listed in Table 3-12.

The CON bit controls the capture of multiple packets. When CON = 1, continuous capture is enabled, the video port captures incoming data packets (assuming the VCEN bit is set) without the need for DSP interaction. It relies on a EDMA structure with circular buffering capability to service the capture FIFO. When CON = 0, continuous capture is disabled, the video port sets the frame capture complete bit (FRMC) in VCASTAT upon the capture of each packet. Once the capture complete bit is set, at most, one more frame can be received before capture operation is halted (as determined by the FRAME bit state). This prevents subsequent data from overwriting previous packets until the DSP has a chance to update EDMA pointers or process those packets.

Table 3-12. TCI Capture Mode Operation

VCACTL Bit				Operation
CON	FRAME	CF2	CF1	
0	0	x	x	Noncontinuous packet capture. FRMC is set after packet capture and causes CCMPA to be set. Capture will halt upon completion of the next data packet unless the FRMC bit is cleared. (DSP has the entire next data packet time to clear FRMC.)

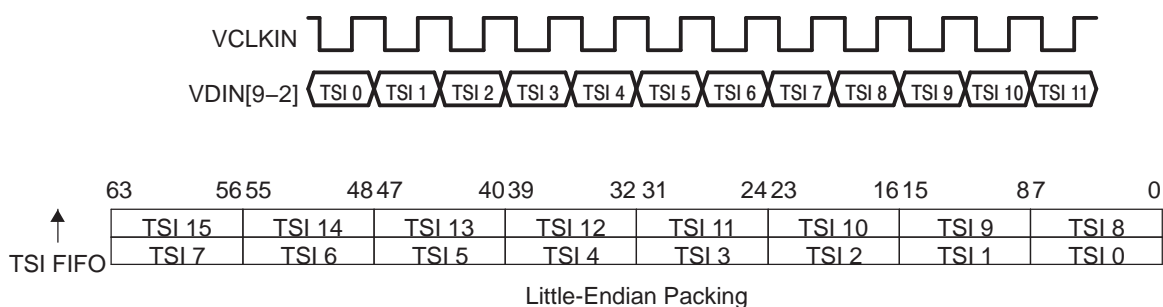
Table 3-12. TCI Capture Mode Operation (continued)

VCACTL Bit				Operation
CON	FRAME	CF2	CF1	
0	1	x	x	Single packet capture. FRMC is set after packet capture and causes CCMPA to be set. Capture is halted until the FRMC bit is cleared.
1	0	x	x	Continuous packet capture. FRMC is set after packet capture and causes CCMPA to be set (CCMPx interrupt can be disabled). The port will continue capturing packets regardless of the state of FRMC.
1	1	x	x	Reserved

3.8.6 Writing to the FIFO

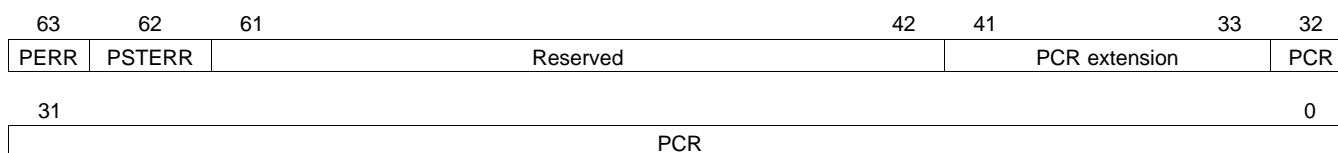
The captured TCI packet data and the associated time stamps are written into the receive FIFO. The packet data is written first, followed by the timestamp. The FIFO controller controls both data writes and timestamp writes into the FIFO. The FIFO data packing is shown in [Figure 3-18](#).

Figure 3-18. TCI FIFO Packing



The data capture circuitry signals to the synchronizing circuit when to take a timestamp of the hardware counters. The FIFO write controller keeps track of the number of bytes received in a packet. It multiplexes the timestamp data and the packet data onto the FIFO write data bus. The timestamp and packet error information are inserted after each packet in the FIFO. The format for the timestamp is shown in [Figure 3-19](#).

Figure 3-19. TCI Timestamp Format (Little Endian)



3.8.7 Reading from the FIFO

The YSRCA location is associated with the TCI capture buffer. The YSRCA location is a read-only pseudo-register and is used to access the TCI data samples stored in the buffer.

The captured data packet size is set by VCASTOP. The VCXSTOP and VCYSTOP bits set the 24-bits of TCI packet size (VCXSTOP sets the lower 12 bits and VCYSTOP sets the upper 12 bits). Capture is complete and the FRMC bit is set when the data counter equals the combined VCYSTOP and VCXSTOP value.

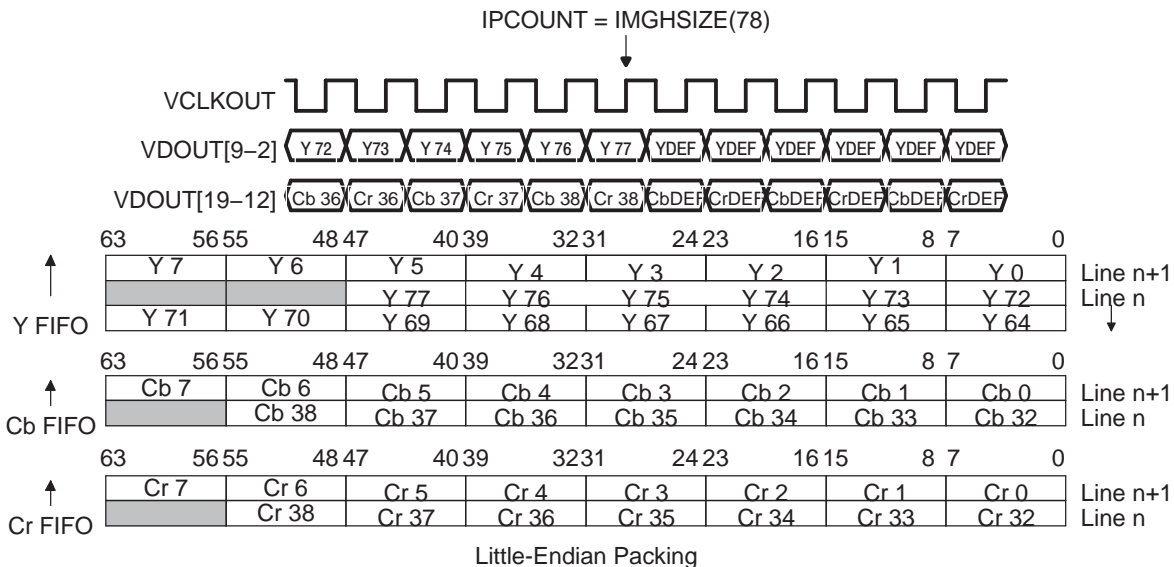
The video port generates a YEVT after the specified number of new samples has been captured in the buffer. The number of samples required to generate YEVT is programmable and is set in the VCTHRLD1 bits of VCATHRLD. VCTHRLD1 should be set to the packet size plus 8 bytes of timestamp. On every YEVT, the EDMA should move data from the buffer to the DSP memory. When moving data from the buffer to the DSP memory, the EDMA should use the memory address of the YSRCA location as a source address.

3.9 Capture Line Boundary Conditions

In order to simplify EDMA transfers, FIFO double words must not contain data from more than one capture line. This means that a FIFO write must be performed whenever 8 bytes have been received or when the line complete condition (HCOUNT = VCXSTOP) occurs. Thus, every captured line begins on a double word boundary and non-double word length lines are padded at the end. An example is shown in Figure 3-20.

In Figure 3-20 (8-bit Y/C mode), the line length is not a double word. When the condition HCOUNT = VCXSTOP occurs, the FIFO location is written even though 8 bytes have not been received. The next capture line then begins in the next FIFO location at byte 0. This operation extends to all capture modes. In the case of TCI and raw data modes, there are no lines. In these modes, a final write at the end of the packet must be performed when the packet data count equals the 24-bit combined value of VCXCOUNT and VCYCOUNT.

Figure 3-20. Capture Line Boundary Example



3.10 Capturing Video in BT.656 or Y/C Mode

In order to capture video in the BT.656 or Y/C format, the following steps are needed:

1. To use the desired Video Port, program the Pin Mux register (PINMUX) appropriately to ensure that the multiplexed pins work as Video Port Pins. Refer to the device-specific data manual for details about PINMUX register.
2. Program the VPx_CTL register appropriately to use the desired Video Port as a Capture Port.
3. Set the PEREN bit in the video port peripheral control register (PCR).
4. Set the last pixel to be captured in VCxSTOP1 and VCxSTOP2 (set the VCXSTOP and VCYSTOP bits).
5. Set the first pixel to be captured in VCxSTRT1 and VCxSTRT2 (set the VCXSTART and VCYSTART bits).
6. Write to VCxTHRLD to set the capture threshold. The threshold needs to be set in units of double word. One double word is equal to 8 bytes. Every time the number of received bytes reaches the

- number specified by the threshold fields (VCTHRLDx) in the threshold register, a YEVTx, CbEVTx, and CrEVTx are generated by the video capture module.
7. Configure an EDMA channel to move data from YSRCx to a destination in the DSP memory. The channel transfers should be triggered by the YEVTx. The size of the transfers should be set appropriately during the configuration of the EDMA channel parameters. The EDMA must start on a double word boundary and move an even number of words.
 8. Configure a EDMA channel to move data from CBSRCx to a destination in the DSP memory. The channel transfers should be triggered by the CbEVTx. The size of the transfers should be set appropriately during the configuration of the EDMA channel parameters. The EDMA must start on a double word boundary and move an even number of words.
 9. Configure a EDMA channel to move data from CRSRCx to a destination in the DSP memory. The channel transfers should be triggered by the CrEVTx. The size of the transfers should be set appropriately during the configuration of the EDMA channel parameters. The EDMA must start on a double-word boundary and move an even number of words.
 10. Write to the video port interrupt enable register (VPIE) to enable overrun (COVRx) and capture complete (CCMPx) interrupts, if desired.
 11. Write to VCxCTL to:
 - Set capture mode (CMODE = 0x0 for BT.656 input, 0x4 for Y/C input).
 - Set desired field/frame operation (CON, FRAME, CF2, CF1 bits).
 - Set sync and field ID control (VRST, HRST, FDD, FINV, VCTL1 bits).
 - Enable scaling (SCALE and RESMPL bits), if desired and using 8-bit data.
 - Set VCEN bit to enable capture.
 12. Capture is enabled at the start of the first frame after VCEN = 1 and begins at the start of the first selected field. EDMA events are generated as triggered by VCxTHRLDx. When a selected field has been captured (VCXPOS = VCXSTOP and VCYPOS = VCYSTOP), the F1C, F2C, or FRMC bits in VCxSTAT are set and cause the CCMPx bit in VPIS to be set. This generates a DSP interrupt, if the CCMPx bit is enabled in VPIE.
 13. If continuous capture is enabled, the video port begins capturing again at the start of the next selected field or frame. If noncontinuous field 1 and field 2 or frame capture is enabled, the next field or frame is captured, during which the DSP must clear the appropriate completion status bit or further capture is disabled. If single frame capture is enabled, capture is disabled until the DSP clears the FRMC bit.

3.10.1 Handling FIFO Overrun in BT.656 or Y/C Mode

In case of a FIFO overrun, the COVRx bit is set in VPIS. This condition initiates an interrupt to the DSP, if the overrun interrupt is enabled (setting the COVR bit in VPIE enables overrun interrupt).

The overrun interrupt routine should set the BLKCAP bit in VCxCTL and it should reconfigure EDMA channel settings. The EDMA channel must be reconfigured for capture of the next frame since the current frame transfer failed. Setting the BLKCAP bit flushes the capture FIFO and blocks EDMA events for the channel. As long as the BLKCAP bit is set, the video capture channel ignores the incoming data with exception of SAV and EAV codes but the internal counters continue counting.

The BLKCAP bit should be cleared to 0 in order to continue capture. Clearing the BLKCAP bit takes effect in the subsequent video field (EDMA events are still going to be blocked in the video field in which the BLKCAP bit is cleared.)

3.11 Capturing Video in Raw Data Mode

In order to capture video in the raw data mode, the following steps are needed:

1. To use the desired Video Port, program the Pin Mux Register (PINMUX) appropriately to ensure that the multiplexed pins work as Video Port Pins. Refer to the device-specific data manual for details about PINMUX register.
2. Program the VPx_CTL Register appropriately to use the desired Video Port as a Capture Port.
3. Set the PEREN bit in the video port peripheral control register (PCR).
4. Set VCxSTOP1 to specify size of an image to be captured (VCXSTOP sets the lower 12 bits and VCYSTOP sets the upper 12 bits of the captured image size in bytes).

5. Write to VCxTHRLD to set the capture threshold. The threshold needs to be set in units of double word. One double word is equal to 8 bytes. Every time the number of received bytes reaches the number specified by the threshold fields (VCTHRLDx) in the threshold register, a YEVTx is generated by the video capture module.
6. Configure a EDMA channel to move data from YSRCx to a destination in the DSP memory. The channel transfers should be triggered by the YEVTx. The size of the transfers should be set appropriately during the configuration of the EDMA channel parameters. The EDMA must start on a double word boundary and move an even number of words.
7. Write to the video port interrupt enable register (VPIE) to enable overrun (COVRx) and capture complete (CCMPx) interrupts, if desired.
8. If raw data synchronization is desired, set the startup synchronization enable (SSE) bit in VCxSTRT1.
9. Write to VCxCTL to:
 - Set capture mode (CMODE = x1x for raw data mode).
 - Choose capture operation (CON, FRAME bits).
 - Set VCEN bit to enable capture.
10. Capture starts when the ICAPEN signal is asserted and VCEN = 1. Data is captured on every VCLKINx rising edge when CAPENx is active. EDMA events (YEVTx) are generated as triggered by VCxTHRLD1. When a complete data block has been captured (DCOUNT = VCYSTOP and VCXSTOP combined value), the FRMC bit in VCxSTAT is set causing the CCMPx bit in VPIS to be set. This generates a DSP interrupt, if CCMPx is enabled in VPIE.
11. If continuous capture is enabled, the video port begins capturing again on the next VCLKIN rising edge when CAPEN is valid. If noncontinuous capture is enabled, the next data block is captured during which the DSP must clear the FRMC bit or further capture is disabled. If single frame capture is enabled, capture is disabled until the DSP clears the FRMC bit (at which point, raw data sync must again be performed if enabled).

3.11.1 Handling FIFO Overrun Condition in Raw Data Mode

In case of a FIFO overrun, the COVRx bit is set in VPIS. This condition initiates an interrupt to the DSP, if the overrun interrupt is enabled (setting the COVRx bit in VPIE enables overrun interrupt).

The overrun interrupt routine should set the BLKCAP bit in VCxCTL and it should reconfigure EDMA channel settings. The EDMA channel must be reconfigured for capture of the next frame since the current frame transfer failed. Setting the BLKCAP bit flushes the capture FIFO and blocks EDMA events for the channel. As long as the BLKCAP bit is set, the video capture channel ignores the incoming data but the internal data counter continues counting.

The BLKCAP bit should be cleared to 0 in order to continue capture. Clearing the BLKCAP bit takes effect in the subsequent frame after a raw data sync period is detected on CAPENx. (EDMA events are still going to be blocked in the frame in which the BLKCAP bit is cleared.)

3.12 Capturing Data in TCI Capture Mode

In order to capture data in TCI capture mode, the following steps are needed:

1. Set VCASTOP1 to specify size of a data packet to be captured (VCXSTOP sets the lower 12 bits and VCYSTOP sets the upper 12 bits of the data packet).
2. Write to VCxTHRLD to set the capture threshold to the data packet size. Every time the number of received bytes reaches the number specified by the VCTHRLD1 bits, a YEVTx is generated by the video capture module.
3. Configure an EDMA channel to move data from YSRCA to a destination in the DSP memory. The channel transfers should be triggered by the YEVT. The size of the transfers should be set to the data packet size + 8 bytes of timestamp information. The EDMA must start on a double-word boundary and move an even number of words.
4. Write to TCICL to:
 - Set TCI capture mode (TCMODE = 0 for parallel data, 1 for serial data).
 - Select counter mode (TCMODE).
 - Enable error packet filtering (ERRFILT) if desired.

Video Capture Registers

5. Write to TCISTCmpl, TCISTCmpM, TCISTMSKL, and TCISTMSKM if needed to initiate an interrupt, based on STC absolute time.
6. Write to TCITICKS if an interrupt is desired every x cycles of STC.
7. Write to VPCTL to select TCI capture operation (TCI = 1).
8. Write to VPIE to enable overrun (COVRA) and capture complete (CCMPA) interrupts, if desired.
9. Write to VCACTL to set capture mode (CMODE = 010).
10. Set VCEN bit in VCACTL to enable capture.
11. Capture begins on the first VCLKINA rising edge when CAPENA and PACSTRT are valid. A EDMA event is generated as triggered by VCATHRLD1. When the entire packet has been captured (DCOUNT = VCYSTOP and VCXSTOP combined value), the FRMC bit in VCASTAT is set causing the CCMPx bit in VPIS to be set. This generates a DSP interrupt, if CCMPx is enabled in VPIE.
12. If continuous capture is enabled, the video port begins capturing again on the next VCLKIN rising edge when CAPEN and PACSTRT are valid. If noncontinuous capture is enabled, the next data packet is captured during which the DSP must clear the FRMC bit or further capture is disabled. If single frame capture is enabled, capture is disabled until the DSP clears the FRMC bit.

3.12.1 Handling FIFO Overrun Condition in TCI Capture Mode

In case of a FIFO overrun, the COVRx bit is set in VPIS. This condition initiates an interrupt to the DSP, if the overrun interrupt is enabled (setting the COVRx bit in VPIE enables overrun interrupt).

The overrun interrupt routine should set the BLKCAP bit in VCxCTL and it should reconfigure EDMA channel settings. The EDMA channel must be reconfigured for capture of the next frame since the current frame transfer failed. Setting the BLKCAP bit flushes the capture FIFO and blocks EDMA events for the channel. As long as the BLKCAP bit is set, the video capture channel ignores the incoming data but the internal data counter continues counting.

The BLKCAP bit should be cleared to 0 in order to continue capture. Clearing the BLKCAP bit takes effect on the next PACSTRT. (EDMA events are still going to be blocked in the TCI packet in which the BLKCAP bit is cleared.)

3.13 Video Capture Registers

The registers for controlling the video capture mode of operation are listed in [Table 3-13](#). See the device-specific datasheet for the memory address of these registers.

Table 3-13. Video Capture Control Registers

Offset Address ⁽¹⁾	Acronym	Register Name	Section
100h	VCASTAT	Video Capture Channel A Status Register	Section 3.13.1
104h	VCACTL	Video Capture Channel A Control Register	Section 3.13.2
108h	VCASTR1	Video Capture Channel A Field 1 Start Register	Section 3.13.3
10Ch	VCASTOP1	Video Capture Channel A Field 1 Stop Register	Section 3.13.4
110h	VCASTR2	Video Capture Channel A Field 2 Start Register	Section 3.13.5
114h	VCASTOP2	Video Capture Channel A Field 2 Stop Register	Section 3.13.6
118h	VCAVINT	Video Capture Channel A Vertical Interrupt Register	Section 3.13.7
11Ch	VCATHRLD	Video Capture Channel A Threshold Register	Section 3.13.8
120h	VCAEVTCT	Video Capture Channel A Event Count Register	Section 3.13.9
140h	VCBSTAT	Video Capture Channel B Status Register	Section 3.13.1
144h	VCBCTL	Video Capture Channel B Control Register	Section 3.13.10
148h	VCBSTRT1	Video Capture Channel B Field 1 Start Register	Section 3.13.3
14Ch	VCBSTOP1	Video Capture Channel B Field 1 Stop Register	Section 3.13.4
150h	VCBSTRT2	Video Capture Channel B Field 2 Start Register	Section 3.13.5

⁽¹⁾ The absolute address of the registers is device/port specific and is equal to the base address + offset address. See the device-specific datasheet to verify the register addresses.

Table 3-13. Video Capture Control Registers (continued)

Offset Address ⁽¹⁾	Acronym	Register Name	Section
154h	VCBSTOP2	Video Capture Channel B Field 2 Stop Register	Section 3.13.6
158h	VCBVINT	Video Capture Channel B Vertical Interrupt Register	Section 3.13.7
15Ch	VCBTHRLD	Video Capture Channel B Threshold Register	Section 3.13.8
160h	VCBEVTCT	Video Capture Channel B Event Count Register	Section 3.13.9
180h	TCICTL	TCI Capture Control Register	Section 3.13.11
184h	TCICLKINITL	TCI Clock Initialization LSB Register	Section 3.13.12
188h	TCICLKINITM	TCI Clock Initialization MSB Register	Section 3.13.13
18Ch	TCISTCLKL	TCI System Time Clock LSB Register	Section 3.13.14
190h	TCISTCLKM	TCI System Time Clock MSB Register	Section 3.13.15
194h	TCISTCMPL	TCI System Time Clock Compare LSB Register	Section 3.13.16
198h	TCISTCPM	TCI System Time Clock Compare MSB Register	Section 3.13.17
19Ch	TCISTMSKL	TCI System Time Clock Compare Mask LSB Register	Section 3.13.18
1A0h	TCISTMSKM	TCI System Time Clock Compare Mask MSB Register	Section 3.13.19
1A4h	TCITICKS	TCI System Time Clock Ticks Interrupt Register	Section 3.13.20

3.13.1 Video Capture Channel x Status Register (VCASTAT, VCBSTAT)

The video capture channel x status register (VCASTAT, VCBSTAT) indicates the current status of the video capture channel.

In BT.656 capture mode, the VCXPOS and VCYPOS bits indicate the HCOUNT and VCOUNT values, respectively, to track the coordinates of the most recently received pixel. The F1C, F2C, and FRMC bits indicate completion of fields or frames and may need to be cleared by the DSP for capture to continue, depending on the selected frame capture operation (see [Section 3.4.1](#)).

In raw data and TCI modes, the VCXPOS and VCYPOS bits reflect the lower and upper 12 bits, respectively, of the 24-bit data counter that tracks the number of received data samples. The FRMC bit indicates when an entire data packet has been received and may need to be cleared by the DSP for capture to continue, depending on the selected frame operation (see [Section 3.7.1](#) and [Section 3.8.5](#)).

The video capture channel x status register (VCxSTAT) is shown in [Figure 3-21](#) and described in [Table 3-14](#).

Figure 3-21. Video Capture Channel x Status Register (VCxSTAT)

31	30	29	28	27	16
FSYNC	FRMC	F2C	F1C	VCYPOS	
R-0	R/WC-0	R/WC-0	R/WC-0	R-0	
15	13	12	11	0	
Reserved		VCFLD	VCXPOS		
R-0		R-0	R-0		

LEGEND: R = Read only; WC = Write 1 to clear, a write of 0 has no effect; -n = value after reset

Table 3-14. Video Capture Channel x Status Register (VCxSTAT) Field Descriptions

Bit	field ⁽¹⁾	symval ⁽¹⁾	Value	Description		
				BT.656 or Y/C Mode	Raw Data Mode	TCI Mode
31	FSYNC	OF(value)	0	Current frame sync bit.		
		DEFAULT		VCOUNT = VINT1 or VINT2, as selected by the FSCL2 bit in VCxVINT.	Not used.	Not used.
		CLEARED				
		SET	1	VCOUNT = 1 in field 1.	Not used.	Not used.
30	FRMC	OF(value)	0	Frame (data) captured bit. Write 1 to clear the bit, a write of 0 has no effect.		
		DEFAULT		Complete frame has not been captured.	Complete data block has not been captured.	Entire data packet has not been captured.
		NONE				
		CAPTURED	1	Complete frame has been captured.	Complete data block has been captured.	Entire data packet has been captured.
29	F2C	OF(value)	0	Field 2 captured bit. Write 1 to clear the bit, a write of 0 has no effect.		
		DEFAULT		Field 2 has not been captured.	Not used.	Not used.
		NONE				
		CAPTURED	1	Field 2 has been captured.	Not used.	Not used.
28	F1C	OF(value)	0	Field 1 captured bit. Write 1 to clear the bit, a write of 0 has no effect.		
		DEFAULT		Field 1 has not been captured.	Not used.	Not used.
		NONE				
		CAPTURED	1	Field 1 has been captured.	Not used.	Not used.
27-16	VCYPOS	OF(value)	0-FFFh	Current VCOUNT value and the line that is currently being received (within the current field).	Upper 12 bits of the data counter.	Upper 12 bits of the data counter.
		DEFAULT	0			
15-13	Reserved	-	0	Reserved. The reserved bit location is always read as 0. A value written to this field has no effect.		
12	VCFLD	OF(value)	0	VCFLD bit indicates which field is currently being captured. The VCFLD bit is updated based on the field detection logic selected by the FLDD bit in VCACTL.		
		DEFAULT		Field 1 is active.	Not used.	Not used.
		NONE				
		DETECTED	1	Field 2 is active.	Not used.	Not used.
11-0	VCXPOS	OF(value)	0-FFFh	Current HCOUNT value. The pixel index of the last received pixel.	Lower 12 bits of the data counter.	Lower 12 bits of the data counter.
		DEFAULT	0			

⁽¹⁾ For CSL implementation, use the notation VP_VCxSTAT_field_symval

3.13.2 Video Capture Channel A Control Register (VCACTL)

Video capture is controlled by the video capture channel A control register (VCACTL) shown in [Figure 3-22](#) and described in [Table 3-15](#).

Figure 3-22. Video Capture Channel A Control Register (VCACTL)

	31	30	29				24	
	RSTCH	BLKCAP	Reserved					
	R/WS-0	R/W-1	R-0					
23	Reserved		RDFE	FINV	EXC	FLDD	VRST	HRST
	R-0		R/W-0	R/W-0	R/W-0	R/W-0	R/W-1	R/W-0
15	VCEN	Reserved		LFDE	SFDE	RESMPL	Reserved	SCALE
	R/W-0	R-0		R/W-0	R/W-0	R/W-0	R-0	R/W-0
7	CON	FRAME	CF2	CF1	Reserved	CMODE		0
	R/W-0	R/W-0	R/W-1	R/W-1	R-0	R/W-0		

LEGEND: R/W = Read/Write; R = Read only; WS = Write 1 to reset, a write of 0 has no effect; -n = value after reset

Table 3-15. Video Capture Channel A Control Register (VCACTL) Field Descriptions

Bit	field ⁽¹⁾	symval ⁽¹⁾	Value	Description		
				BT.656 or Y/C Mode	Raw Data Mode	TCI Mode
31	RSTCH	OF(value) DEFAULT NONE RESET	0 1	Reset channel bit. Write 1 to reset the bit, a write of 0 has no effect. No effect. Resets the channel by blocking further EDMA event generation and flushing the FIFO upon completion of any pending EDMAs. Also clears the VCEN bit. All channel registers are set to their initial values. RSTCH is auto-cleared after channel reset is complete.		
30	BLKCAP	OF(value) CLEAR DEFAULT BLOCK	0 1	Block capture events bit. BLKCAP functions as a capture FIFO reset without affecting the current programmable register values. The F1C, F2C, and FRMC status bits, in VCASTAT, are not updated. Field or frame complete interrupts and vertical interrupts are also not generated. Clearing BLKCAP does not enable EDMA events during the field where the bit is cleared. Whenever BLKCAP is set and then cleared, the software needs to clear the field and frame status bits (F1C, F2C, and FRMC) as part of the BLKCAP clear operation. Enables EDMA events in the video frame that follows the video frame where the bit is cleared. (The capture logic must sync to the start of the next frame after BLKCAP is cleared.) Blocks EDMA events and flushes the capture channel FIFOs.		
29-22	Reserved	-	0	Reserved. The reserved bit location is always read as 0. A value written to this field has no effect.		
21	RDFE	OF(value) DEFAULT DISABLE ENABLE	0 1	Field identification enable bit. (Channel A only) Not used. Field identification is disabled. Not used. Not used. Field identification is enabled. Not used.		
20	FINV	OF(value) DEFAULT FIELD1 FIELD2	0 1	Detected field invert bit. Detected 0 is field 1. Not used. Not used. Detected 0 is field 2. Not used. Not used.		

⁽¹⁾ For CSL implementation, use the notation VP_VCACTL_field_symval

Table 3-15. Video Capture Channel A Control Register (VCACTL) Field Descriptions (continued)

Bit	field ⁽¹⁾	symval ⁽¹⁾	Value	Description		
				BT.656 or Y/C Mode	Raw Data Mode	TCI Mode
19	EXC	OF(value)	0	External control select bit. (Channel A only)		
		DEFAULT		Use EAV/SAV codes.	Not used.	Not used.
		EAVSAV	1	Use external control signals.		
		EXTERN		Not used.	Not used.	Not used.
18	FLDD	OF(value)	0	Field detect method bit. (Channel A only)		
		DEFAULT		1 st line EAV or FID input.	Not used.	Not used.
		EAVFID		Field detect logic.		
		FDL	1	Not used.	Not used.	Not used.
17	VRST	OF(value)	0	VCOUNT reset method bit.		
		V1EAV		Start of vertical blank (1 st V = 1 EAV or VCTL2 active edge)	Not used.	Not used.
		DEFAULT		End of vertical blank (1 st V = 0 EAV or VCTL2 inactive edge)	Not used.	Not used.
		V0EAV	1			
16	HRST	OF(value)	0	HCOUNT reset method bit.		
		DEFAULT		EAV or VCTL1 active edge.	Not used.	Not used.
		EAV		SAV or VCTL1 inactive edge.		
		SAV	1	Not used.	Not used.	Not used.
15	VCEN	OF(value)	0	Video capture enable bit. Other bits in VCACTL (except RSTCH and BLKCAP bits) may only be changed when VCEN = 0.		
		DEFAULT		Video capture is disabled.		
		DISABLE		Video capture is enabled.		
		ENABLE	1			
14-13	Reserved	-	0	Reserved. The reserved bit location is always read as 0. A value written to this field has no effect.		
12	LFDE	OF(value)	0	Long field detect enable bit.		
		DEFAULT		Long field detect is disabled.	Not used.	Not used.
		DISABLE		Long field detect is enabled.		
		ENABLE	1	Not used.	Not used.	Not used.
11	SFDE	OF(value)	0	Short field detect enable bit.		
		DEFAULT		Short field detect is disabled.	Not used.	Not used.
		DISABLE		Short field detect is enabled.		
		ENABLE	1	Not used.	Not used.	Not used.
10	RESMPL	OF(value)	0	Chroma re-sampling enable bit.		
		DEFAULT		Chroma re-sampling is disabled.	Not used.	Not used.
		DISABLE		Chroma is horizontally re-sampled from 4:2:2 co-sited to 4:2:0 interspersed before saving to chroma buffers.		
		ENABLE	1	Not used.	Not used.	Not used.
9	Reserved	-	0	Reserved. The reserved bit location is always read as 0. A value written to this field has no effect.		
8	SCALE	OF(value)	0	Scaling select bit.		
		DEFAULT		No scaling	Not used.	Not used.
		NONE		½ scaling		
		HALF	1	Not used.	Not used.	Not used.

Table 3-15. Video Capture Channel A Control Register (VCACTL) Field Descriptions (continued)

Bit	field ⁽¹⁾	symval ⁽¹⁾	Value	Description		
				BT.656 or Y/C Mode	Raw Data Mode	TCl Mode
7	CON ⁽²⁾	OF(value) DEFAULT DISABLE ENABLE	0 1	Continuous capture enable bit. Continuous capture is disabled. Continuous capture is enabled.		
6	FRAME ⁽²⁾	OF(value) DEFAULT NONE FRMCAP	0 1	Capture frame (data) bit.		
				Do not capture frame. Capture frame.	Do not capture single data block. Capture single data block.	Do not capture single packet. Capture single packet.
5	CF2 ⁽²⁾	OF(value) NONE DEFAULT FLDCAP	0 1	Capture field 2 bit.		
				Do not capture field 2. Capture field 2.	Do not capture field 2. Capture field 2.	Not used. Not used.
4	CF1 ⁽²⁾	OF(value) NONE DEFAULT FLDCAP	0 1	Capture field 1 bit.		
				Do not capture field 1. Capture field 1.	Do not capture field 1. Capture field 1.	Not used. Not used.
3	Reserved	-	0	Reserved. The reserved bit location is always read as 0. A value written to this field has no effect.		
2-0	CMODE	OF(value) DEFAULT BT656B RAWB YCB RAW16	0-7h 0 2h 4h 6h	Capture mode select bit.		
				Enables 8-bit BT.656 mode.		Not used.
				Enables 8-bit raw data mode.		8-bit TCl mode.
				Enables 16-bit Y/C mode.		Not used.
				Enables 16-bit raw mode.		Not used.

⁽²⁾ For complete encoding of these bits, see [Table 3-6](#), [Table 3-11](#), and [Table 3-12](#).

3.13.3 Video Capture Channel x Field 1 Start Register (VCxSTRT1)

The captured image is a subset of the incoming image. The video capture channel x field 1 start register (VCASTRT1, VCBSTRT1) defines the start of the field 1 captured image. Note that the size is defined relative to incoming data (before scaling).

In BT.656 or Y/C modes, the horizontal (pixel) counter is reset (to 0) by the horizontal event (as selected by the HRST bit in VCxCTL) and the vertical (line) counter is reset (to 1) by the vertical event (as selected by the VRST bit in VCxCTL). Field 1 capture starts when HCOUNT = VCXSTART, VCOUNT = VCYSTART, and field 1 capture is enabled.

In raw capture mode, the VCVBLNKP bits defines the minimum vertical blanking period. If CAPEN stays de-asserted longer than VCVBLNKP clocks, then a vertical blanking interval is considered to have occurred. If the SSE bit is set when the capture first begins (the VCEN bit is set in VCxCTL), the capture does not start until two intervals are counted. This allows the video port to synchronize its capture to the top of a frame when first started.

In TCl capture mode, the capture starts when the CAPEN signal is asserted, the FRMC bit (in VCxSTAT) is cleared, and a SYNC byte is detected.

The video capture channel x field 1 start register (VCxSTRT1) is shown in [Figure 3-23](#) and described in [Table 3-16](#).

Figure 3-23. Video Capture Channel x Field 1 Start Register (VCxSTR1)

31	28	27	16
Reserved		VCYSTART	
R-0		R/W-0	
15	14	12	0
SSE	Reserved		VCXSTART/VCVBLNKP
R/W-1	R-0		R/W-0

LEGEND: R/W = Read/Write; R = Read only; -n = value after reset

Table 3-16. Video Capture Channel x Field 1 Start Register (VCxSTR1) Field Descriptions

Bit	field ⁽¹⁾	symval ⁽¹⁾	Value	Description		
				BT.656 or Y/C Mode	Raw Data Mode	TCI Mode
31-28	Reserved	-	0	Reserved. The reserved bit location is always read as 0. A value written to this field has no effect.		
27-16	VCYSTART	OF(value) DEFAULT	0-FFFh 0	Starting line number.	Not used.	Not used.
15	SSE	OF(value) DISABLE	0	Startup synchronization enable bit.		
				Not used.	Startup synchronization is disabled.	Not used.
		DEFAULT ENABLE	1	Not used.	Startup synchronization is enabled.	Not used.
14-12	Reserved	-	0	Reserved. The reserved bit location is always read as 0. A value written to this field has no effect.		
11-0	VCXSTART VCVBLNKP	OF(value)	0-FFFh	VCXSTART bits define the starting pixel number. Must be an even number (LSB is treated as 0).	VCVBLNKP bits define the minimum CAPEN inactive time to be interpreted as a vertical blanking period.	Not used.
		DEFAULT	0			

⁽¹⁾ For CSL implementation, use the notation VP_VCxSTR1_field_symval

3.13.4 Video Capture Channel x Field 1 Stop Register (VCxSTOP1)

The video capture channel x field 1 stop register (VCxSTOP1) defines the end of the field 1-captured image or the end of the raw data or TCI packet.

In raw capture mode, the horizontal and vertical counters are combined into a single counter that keeps track of the total number of samples received.

In TCI capture mode, the horizontal and vertical counters are combined into a single data counter that keeps track of the total number of bytes received. The capture starts when a SYNC byte is detected. The data counter counts bytes as they are received. The FRMC bit (in VCxSTAT) gets set each time a packet has been received.

The video capture channel x field 1 stop register (VCxSTOP1) is shown in [Figure 3-24](#) and described in [Table 3-17](#).

Figure 3-24. Video Capture Channel x Field 1 Stop Register (VCxSTOP1)

31	28	27	16
Reserved		VCYSTOP	
R-0		R/W-0	
15	12	11	0
Reserved		VCXSTOP	
R-0		R/W-0	

LEGEND: R/W = Read/Write; R = Read only; -n = value after reset

Table 3-17. Video Capture Channel x Field 1 Stop Register (VCxSTOP1) Field Descriptions

Bit	field ⁽¹⁾	symval ⁽¹⁾	Value	Description		
				BT.656 or Y/C Mode	Raw Data Mode	TCI Mode
31-28	Reserved	-	0	Reserved. The reserved bit location is always read as 0. A value written to this field has no effect.		
27-16	VCYSTOP	OF(value) DEFAULT	0-FFFh 0	Last captured line.	Upper 12 bits of the data size (in data samples).	Upper 12 bits of the data size (in data samples).
15-12	Reserved	-	0	Reserved. The reserved bit location is always read as 0. A value written to this field has no effect.		
11-0	VCXSTOP	OF(value) DEFAULT	0-FFFh 0	Last captured pixel (VCXSTOP - 1). Must be an even value (the LSB is treated as 0).	Lower 12 bits of the data size (in data samples).	Lower 12 bits of the data size (in data samples).

⁽¹⁾ For CSL implementation, use the notation VP_VCxSTOP1_field_symval

3.13.5 Video Capture Channel x Field 2 Start Register (VCxSTRT2)

The captured image is a subset of the incoming image. The video capture channel x field 2 start register (VCASTRT2, VCBSTRT2) defines the start of the field 2 captured image. (This allows different window alignment or size for each field.) Note that the size is defined relative to incoming data (before scaling).

In BT.656 or Y/C modes, the horizontal (pixel) counter is reset by the horizontal event (as selected by the HRST bit in VCxCTL) and the vertical (line) counter is reset by the vertical event (as selected by the VRST bit in VCxCTL). Field 2 capture starts when HCOUNT = VCXSTART, VCOUNT = VCYSTART, and field 2 capture is enabled.

These registers are not used in raw data mode or TCI mode because their capture sizes are completely defined by the field 1 start and stop registers.

The video capture channel x field 2 start register (VCxSTRT2) is shown in [Figure 3-25](#) and described in [Table 3-18](#).

Figure 3-25. Video Capture Channel x Field 2 Start Register (VCxSTRT2)

31	28	27	16
Reserved		VCYSTART	
R-0		R/W-0	
15	12	11	0
Reserved		VCXSTART	
R-0		R/W-0	

LEGEND: R/W = Read/Write; R = Read only; -n = value after reset

Table 3-18. Video Capture Channel x Field 2 Start Register (VCxSTRT2) Field Descriptions

Bit	field ⁽¹⁾	symval ⁽¹⁾	Value	Description		
				BT.656 or Y/C Mode	Raw Data Mode	TCI Mode
31-28	Reserved	-	0	Reserved. The reserved bit location is always read as 0. A value written to this field has no effect.		
27-16	VCYSTART	OF(value) DEFAULT	0-FFFh 0	Starting line number.	Not used.	Not used.
15-12	Reserved	-	0	Reserved. The reserved bit location is always read as 0. A value written to this field has no effect.		
11-0	VCXSTART	OF(value) DEFAULT	0-FFFh 0	Starting pixel number. Must be an even number (LSB is treated as 0).	Not used.	Not used.

⁽¹⁾ For CSL implementation, use the notation VP_VCxSTRT2_field_symval

3.13.6 Video Capture Channel x Field 2 Stop Register (VCxSTOP2)

The video capture channel x field 2 stop register (VCxSTOP2) defines the end of the field 2-captured image.

These registers are not used in raw data mode or TCI mode because their capture sizes are completely defined by the field 1 start and stop registers.

The video capture channel x field 2 stop register (VCxSTOP2) is shown in [Figure 3-26](#) and described in [Table 3-19](#).

Figure 3-26. Video Capture Channel x Field 2 Stop Register (VCxSTOP2)

31	28	27	16
Reserved			VCYSTOP
R-0			R/W-0
15	12	11	0
Reserved			VCXSTOP
R-0			R/W-0

LEGEND: R/W = Read/Write; R = Read only; -n = value after reset

Table 3-19. Video Capture Channel x Field 2 Stop Register (VCxSTOP2) Field Descriptions

Bit	field ⁽¹⁾	symval ⁽¹⁾	Value	Description		
				BT.656 or Y/C Mode	Raw Data Mode	TCI Mode
31-28	Reserved	-	0	Reserved. The reserved bit location is always read as 0. A value written to this field has no effect.		
27-16	VCYSTOP	OF(value) DEFAULT	0-FFFh 0	Last captured line.	Not used.	Not used.
15-12	Reserved	-	0	Reserved. The reserved bit location is always read as 0. A value written to this field has no effect.		
11-0	VCXSTOP	OF(value) DEFAULT	0-FFFh 0	Last captured pixel (VCXSTOP - 1). Must be an even value (the LSB is treated as 0).	Not used.	Not used.

⁽¹⁾ For CSL implementation, use the notation VP_VCxSTOP2_field_symval

3.13.7 Video Capture Channel x Vertical Interrupt Register (VCxVINT)

The video capture channel x vertical interrupt register (VCAVINT, VCBVINT) controls the generation of vertical interrupts in each field.

In BT.656 or Y/C mode, an interrupt can be generated upon completion of the specified line in a field (end of line when VCOUNT = VINT n). This allows the software to synchronize to the frame or field. The interrupt can be programmed to occur in one or both fields (or not at all) using the VIF1 and VIF2 bits. The VINT n bits also determine when the FSYNC bit in VCxSTAT is cleared. If FSCL2 is 0, then the FSYNC bit is cleared in field 1 when VCOUNT = VINT1; if FSCL2 is 1, then the FSYNC bit is cleared in field 2 when VCOUNT = VINT2.

The video capture channel x vertical interrupt register (VCxVINT) is shown in [Figure 3-27](#) and described in [Table 3-20](#).

Figure 3-27. Video Capture Channel x Vertical Interrupt Register (VCxVINT)

31	30	29	28	27	16
VIF2	FSCL2	Reserved			VINT2
R/W-0	R/W-0	R-0			R/W-0
15	14	12	11	0	
VIF1	Reserved			VINT1	
R/W-0	R-0			R/W-0	

LEGEND: R/W = Read/Write; R = Read only; -n = value after reset

Table 3-20. Video Capture Channel x Vertical Interrupt Register (VCxVINT) Field Descriptions

Bit	field ⁽¹⁾	symval ⁽¹⁾	Value	Description		
				BT.656 or Y/C Mode	Raw Data Mode	TCI Mode
31	VIF2	OF(value)	0	Setting of VINT in field 2 enable bit.		
		DEFAULT		Setting of VINT in field 2 is disabled.	Not used.	Not used.
		DISABLE		Setting of VINT in field 2 is enabled.	Not used.	Not used.
30	FSCL2	OF(value)	0	FSYNC bit cleared in field 2 enable bit.		
		DEFAULT		FSYNC bit is not cleared.	Not used.	Not used.
		NONE		FSYNC bit is cleared in field 2 instead of field 1.	Not used.	Not used.
29-28	Reserved	-	0	Reserved. The reserved bit location is always read as 0. A value written to this field has no effect.		
27-16	VINT2	OF(value)	0-FFFh	Line that vertical interrupt occurs if VIF2 bit is set.	Not used.	Not used.
		DEFAULT	0			
15	VIF1	OF(value)	0	Setting of VINT in field 1 enable bit.		
		DEFAULT		Setting of VINT in field 1 is disabled.	Not used.	Not used.
		DISABLE		Setting of VINT in field 1 is enabled.	Not used.	Not used.
14-12	Reserved	-	0	Reserved. The reserved bit location is always read as 0. A value written to this field has no effect.		
11-0	VINT1	OF(value)	0-FFFh	Line that vertical interrupt occurs if VIF1 bit is set.	Not used.	Not used.
		DEFAULT	0			

⁽¹⁾ For CSL implementation, use the notation VP_VCxVINT_field_symval

3.13.8 Video Capture Channel x Threshold Register (VCATHRLD, VCBTHRLD)

The video capture channel x threshold register (VCATHRLD, VCBTHRLD) determines when EDMA requests are sent.

The VCTHRLD1 bits determine when capture EDMA events are generated. Once the threshold is reached, generation of further EDMA events is disabled until service of the previous event(s) begins (the first FIFO read by the EDMA occurs).

In BT.656 and Y/C modes, every two captured pixels represent 2 luma values in the Y FIFO and 2 chroma values (1 each in the Cb and Cr FIFOs). Depending on the data size each value may be a byte (8-bit BT.656 or Y/C) within the FIFOs. Therefore, the VCTHRLD1 double word number represents 8 pixels in 8-bit modes. Since the Cb and Cr FIFO thresholds are represented by $\frac{1}{2}$ VCTHRLD1, certain restrictions are placed on what VCTHRLD1 values are valid (see [Section 2.3.3](#)).

In raw data mode, each data sample may occupy a byte (8-bit raw mode), 2bytes (16-bit raw mode), within the FIFO, depending on the data size. Therefore, the VCTHRLD1 double word number represents 8 samples, 4 samples respectively.

In TCI mode, VCTHRLD1 represents groups of 8 samples with each sample occupying a byte in the FIFO.

The VCTHRLD2 bits behave identically to VCTHRLD1, but are used during field 2 capture. It is only used if the field 2 EDMA size needs to be different from the field 1 EDMA size for some reason (for example, different captured line lengths in field 1 and field 2). If VT2EN is not set, then the VCTHRLD1 value is used for both fields.

Note that the VCTHRLD n applies to data being written into the FIFO. In the case of 8-bit BT.656 or Y/C modes, this means the output of any selected filter.

The video capture channel x threshold register (VCxTHRLD) is shown in [Figure 3-28](#) and described in [Table 3-21](#).

Figure 3-28. Video Capture Channel x Threshold Register (VCxTHRLD)

31	26	25	16
Reserved	VCTHRLD2		
R-0	R/W-0		
15	10	9	0
Reserved	VCTHRLD1		
R-0	R/W-0		

LEGEND: R/W = Read/Write; R = Read only; -n = value after reset

Table 3-21. Video Capture Channel x Threshold Register (VCxTHRLD) Field Descriptions

Bit	field ⁽¹⁾	symval ⁽¹⁾	Value	Description		
				BT.656 or Y/C Mode	Raw Data Mode	TCI Mode
31-26	Reserved	-	0	Reserved. The reserved bit location is always read as 0. A value written to this field has no effect.		
25-16	VCTHRLD2	OF(value) DEFAULT	0-3FFh 0	Number of field 2 double words required to generate EDMA events.	Not used.	Not used.
15-10	Reserved	-	0	Reserved. The reserved bit location is always read as 0. A value written to this field has no effect.		
9-0	VCTHRLD1	OF(value) DEFAULT	0-3FFh 0	Number of field 1 double words required to generate EDMA events.	Number of raw data double words required to generate a EDMA event.	Number of double words required to generate a EDMA event.

⁽¹⁾ For CSL implementation, use the notation VP_VCxTHRLD_VCTHRLD n _symval

3.13.9 Video Capture Channel x Event Count Register (VCxEVTCT)

The video capture channel x event count register (VCxEVTCT) is programmed with the number of EDMA events to be generated for each capture field.

An event counter tracks how many events have been generated and indicates which threshold value (VCTHRLD1 or VCTHRLD2 in VCxTHRLD) to use in event generation and in the outgoing data counter. Once the CAPEVTCT n number of events have been generated, the EDMA logic switches to the other threshold value. See [Section 2.3.1](#).

The video capture channel x event count register (VCxEVTCT) is shown in [Figure 3-29](#) and described in [Table 3-22](#).

Figure 3-29. Video Capture Channel x Event Count Register (VCxEVTCT)

31	28	27	16
Reserved			CAPEVTCT2
R-0			R/W-0
15	12	11	0
Reserved			CAPEVTCT1
R-0			R/W-0

LEGEND: R/W = Read/Write; R = Read only; - n = value after reset

Table 3-22. Video Capture Channel x Event Count Register (VCxEVTCT) Field Descriptions

Bit	field ⁽¹⁾	symval ⁽¹⁾	Value	Description		
				BT.656 or Y/C Mode	Raw Data Mode	TCI Mode
31-28	Reserved	-	0	Reserved. The reserved bit location is always read as 0. A value written to this field has no effect.		
27-16	CAPEVTCT2	OF(value) DEFAULT	0-FFFh 0	Number of EDMA event sets (YEVT, CbEVT, CrEVT) to be generated for field 2 capture.	Not used.	Not used.
15-12	Reserved	-	0	Reserved. The reserved bit location is always read as 0. A value written to this field has no effect.		
11-0	CAPEVTCT1	OF(value) DEFAULT	0-FFFh 0	Number of EDMA event sets (YEVT, CbEVT, CrEVT) to be generated for field 1 capture.	Not used.	Not used.

⁽¹⁾ For CSL implementation, use the notation VP_VCxEVTCT_CAPEVTCT n _symval

3.13.10 Video Capture Channel B Control Register (VCBCTL)

Video capture is controlled by the video capture channel B control register (VCBCTL) shown in [Figure 3-30](#) and described in [Table 3-23](#).

Figure 3-30. Video Capture Channel B Control Register (VCBCTL)

31	30	29	24				
RSTCH	BLKCAP	Reserved					
R/W-0	R/W-1	R-0					
23	21		20	19	18	17	16
Reserved		FINV	Reserved		VRST	HRST	
R-0		R/W-0	R-0		R/W-1	R/W-0	
15	14	13	12	11	10	9	8
VCEN	Reserved		LFDE	SFDE	RESMPL	Reserved	SCALE
R/W-0	R-0		R/W-0	R/W-0	R/W-0	R-0	R/W-0
7	6	5	4	3	2	1	0
CON	FRAME	CF2	CF1	Reserved		CMODE	
R/W-0	R/W-0	R/W-1	R/W-1	R-0		R/W-0	

LEGEND: R/W = Read/Write; R = Read only; WS = Write 1 to reset, a write of 0 has no effect; -n = value after reset

Table 3-23. Video Capture Channel B Control Register (VCBCTL) Field Descriptions

Bit	field ⁽¹⁾	symval ⁽¹⁾	Value	Description		
				BT.656 or Y/C Mode	Raw Data Mode	TCI Mode
31	RSTCH	OF(value) DEFAULT NONE RESET	0 1	Reset channel bit. Write 1 to reset the bit, a write of 0 has no effect. No effect. Resets the channel by blocking further EDMA event generation and flushing the FIFO upon completion of any pending EDMAs. Also clears the VCEN bit. All channel registers are set to their initial values. RSTCH is auto-cleared after channel reset is complete.		
30	BLKCAP	OF(value) CLEAR DEFAULT BLOCK	0 1	Block capture events bit. BLKCAP functions as a capture FIFO reset without affecting the current programmable register values. The F1C, F2C, and FRMC status bits, in VCBSTAT, are not updated. Field or frame complete interrupts and vertical interrupts are also not generated. Clearing BLKCAP does not enable EDMA events during the field where the bit is cleared. Whenever BLKCAP is set and then cleared, the software needs to clear the field and frame status bits (F1C, F2C, and FRMC) as part of the BLKCAP clear operation. Enables EDMA events in the video frame that follows the video frame where the bit is cleared. (The capture logic must sync to the start of the next frame after BLKCAP is cleared.) Blocks EDMA events and flushes the capture channel FIFOs.		
29-21	Reserved	-	0	Reserved. The reserved bit location is always read as 0. A value written to this field has no effect.		
20	FINV	OF(value) DEFAULT FIELD1 FIELD2	0 1	Detected field invert bit. Detected 0 is field 1. Not used. Not used. Detected 0 is field 2. Not used. Not used.		
19-18	Reserved	-	0	Reserved. The reserved bit location is always read as 0. A value written to this field has no effect.		
17	VRST	OF(value) V1EAV DEFAULT V0EAV	0 1	VCOUNT reset method bit. Start of vertical blank (1 st V = 1 EAV or VCTL2 active edge) Not used. Not used. End of vertical blank (1 st V = 0 EAV or VCTL2 inactive edge) Not used. Not used.		

⁽¹⁾ For CSL implementation, use the notation VP_VCBCTL_field_symval

Table 3-23. Video Capture Channel B Control Register (VCBCTL) Field Descriptions (continued)

Bit	field ⁽¹⁾	symval ⁽¹⁾	Value	Description		
				BT.656 or Y/C Mode	Raw Data Mode	TCI Mode
16	HRST	OF(value)	0	HCOUNT reset method bit.		
		DEFAULT		EAV or VCTL1 active edge.	Not used.	Not used.
		EAV	1	SAV or VCTL1 inactive edge.		
		SAV		Not used.	Not used.	
15	VCEN	OF(value)	0	Video capture enable bit. Other bits in VCBCTL (except RSTCH and BLKCAP bits) may only be changed when VCEN = 0.		
		DEFAULT		Video capture is disabled.		
		DISABLE	1	Video capture is enabled.		
		ENABLE				
14-13	Reserved	-	0	Reserved. The reserved bit location is always read as 0. A value written to this field has no effect..		
12	LFDE	OF(value)	0	Long field detect enable bit.		
		DEFAULT		Long field detect is disabled.	Not used.	Not used.
		DISABLE	1	Long field detect is enabled.		
		ENABLE		Not used.	Not used.	
11	SFDE	OF(value)	0	Short field detect enable bit.		
		DEFAULT		Short field detect is disabled.	Not used.	Not used.
		DISABLE	1	Short field detect is enabled.		
		ENABLE		Not used.	Not used.	
10	RESMPL	OF(value)	0	Chroma re-sampling enable bit.		
		DEFAULT		Chroma re-sampling is disabled.	Not used.	Not used.
		DISABLE	1	Chroma is horizontally re-sampled from 4:2:2 co-sited to 4:2:0 interspersed before saving to chroma buffers.		
		ENABLE		Not used.	Not used.	
9	Reserved	-	0	Reserved. The reserved bit location is always read as 0. A value written to this field has no effect.		
8	SCALE	OF(value)	0	Scaling select bit.		
		DEFAULT		No scaling	Not used.	Not used.
		NONE	1	½ scaling		
		HALF		Not used.	Not used.	
7	CON ⁽²⁾	OF(value)	0	Continuous capture enable bit.		
		DEFAULT		Continuous capture is disabled.		
		DISABLE	1	Continuous capture is enabled.		
		ENABLE				
6	FRAME ⁽²⁾	OF(value)	0	Capture frame (data) bit.		
		DEFAULT		Do not capture frame.	Do not capture single data block.	Do not capture single packet.
		NONE	1	Capture frame.		
		FRMCAP		Capture single data block.	Capture single packet.	
5	CF2 ⁽²⁾	OF(value)	0	Capture field 2 bit.		
		NONE		Do not capture field 2.	Not used.	Not used.
		DEFAULT	1	Capture field 2.		
		FLDCAP		Not used.	Not used.	

⁽²⁾ For complete encoding of these bits, see [Table 3-6](#), [Table 3-11](#), and [Table 3-12](#).

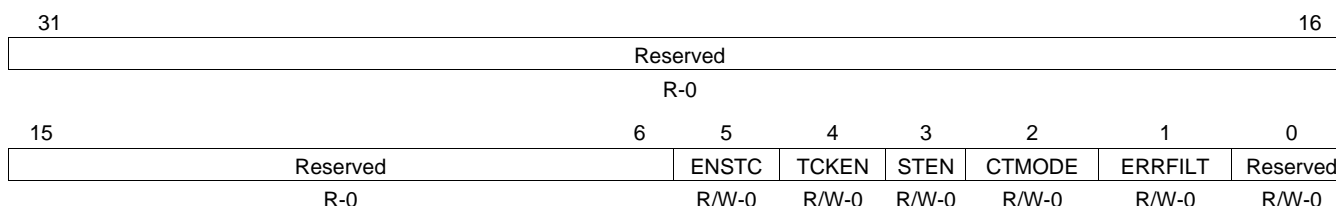
Table 3-23. Video Capture Channel B Control Register (VCBCTL) Field Descriptions (continued)

Bit	field ⁽¹⁾	symval ⁽¹⁾	Value	Description		
				BT.656 or Y/C Mode	Raw Data Mode	TCI Mode
4	CF1 ⁽²⁾	OF(value)	0	Capture field 1 bit.		
		NONE DEFAULT FLDCAP	1	Do not capture field 1. Capture field 1.	Not used. Not used.	Not used. Not used.
3-2	Reserved	-	0	Reserved. The reserved bit location is always read as 0. A value written to this field has no effect.		
1-0	CMODE	OF(value)	0-3h	Capture mode select bit.		
		DEFAULT BT656B	0	Enables 8-bit BT.656 mode.		Not used.
		RAWB	2h	Enables 8-bit raw data mode.		Not used.

3.13.11 TCI Capture Control Register (TCICTL)

The ERRFILT, STEN, and TCKEN bits may be written at any time. To ensure stable counter operation, writes to the CTMODE bit are disabled unless the system time counter is halted (ENSTC = 0).

The transport stream interface capture control register (TCICTL) controls TCI capture operation. TCICTL is shown in [Figure 3-31](#) and described in [Table 3-24](#).

Figure 3-31. TCI Capture Control Register (TCICTL)


LEGEND: R/W = Read/Write; R = Read only; -n = value after reset

Table 3-24. TCI Capture Control Register (TCICTL) Field Descriptions

Bit	field ⁽¹⁾	symval ⁽¹⁾	Value	Description	
				BT.656, Y/C Mode, or Raw Data Mode	TCI Mode
31-6	Reserved	-	0	Reserved. The reserved bit location is always read as 0. A value written to this field has no effect.	
5	ENSTC	OF(value)	0	System time clock enable bit.	
		DEFAULT HALTED CLKED	1	Not used.	System time clock input is disabled (to save power). The system time clock counters and tick counter do not increment. System time input is enabled. The system time clock counters and tick counters are incremented by STCLK.
4	TCKEN	OF(value)	0	Tick count interrupt enable bit.	
		DEFAULT DISABLE SET	1	Not used.	Setting of the TICK bit is disabled. The TICK bit in VPIS is set whenever the tick count is reached.

⁽¹⁾ For CSL implementation, use the notation VP_TCICTL_field_symval

Table 3-24. TCI Capture Control Register (TCICTL) Field Descriptions (continued)

Bit	field ⁽¹⁾	symval ⁽¹⁾	Value	Description	
				BT.656, Y/C Mode, or Raw Data Mode	TCI Mode
3	STEN	OF(value)	0	System time clock interrupt enable bit.	
		DEFAULT		Not used.	Setting of the STC bit is disabled.
		DISABLE SET		Not used.	A valid STC compare sets the STC bit in VPIS.
2	CTMODE	OF(value)	0	Counter mode select bit.	
		DEFAULT		Not used.	The 33-bit PCR portion of the system time counter increments at 90 kHz (when PCRE rolls over from 299 to 0).
		90KHZ STCLK		Not used.	The 33-bit PCR portion of the system time counter increments by the STCLK input.
1	ERRFILT	OF(value)	0	Error filtering enable bit.	
		DEFAULT		Not used.	Packets with errors are received and the PERR bit is set in the timestamp inserted at the end of the packet.
		ACCEPT REJECT		Not used.	Packets with errors are filtered out (not received in the FIFO).
0	Reserved	-	0	Reserved. The reserved bit location is always read as 0. A value written to this field has no effect.	

3.13.12 TCI Clock Initialization LSB Register (TCICLKINITL)

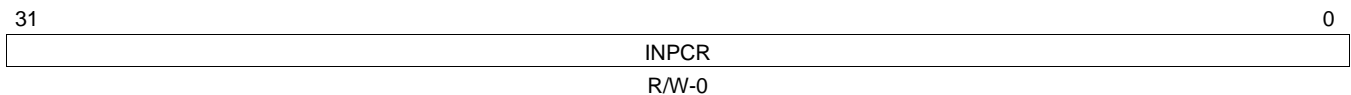
The transport stream interface clock initialization LSB register (TCICLKINITL) is used to initialize the hardware counter to synchronize with the system time clock. .

On receiving the first packet containing a program clock reference (PCR) and the PCR extension value, the DSP writes the 32 least-significant bits (LSBs) of the PCR into TCICLKINITL. This initializes the counter to the system time clock. TCICLKINITL should also be updated by the DSP whenever a discontinuity in the PCR field is detected.

To ensure synchronization and prevent false compare detection, the software should disable the system time clock interrupt (clear the STEN bit in TCICTL) prior to writing to TCICLKINITL. All bits of the system time counter are initialized whenever either TCICLKINITL or TCICLKINITM are written.

The TCI clock initialization LSB register (TCICLKINITL) is shown in [Figure 3-32](#) and described in [Table 3-25](#)

Figure 3-32. TCI Clock Initialization LSB Register (TCICLKINITL)



LEGEND: R/W = Read/Write; -n = value after reset

Table 3-25. TCI Clock Initialization LSB Register (TCICLKINITL) Field Descriptions

Bit	field	symval ⁽¹⁾	Value	Description	
				BT.656, Y/C Mode, or Raw Data Mode	TCI Mode
31-0	INPCR	OF(value)	0-FFFF FFFFh	Not used.	Initializes the 32 LSBs of the system time clock.
		DEFAULT	0		

⁽¹⁾ For CSL implementation, use the notation VP_TCICLKINITL_INPCR_symval

3.13.13 TCI Clock Initialization MSB Register (TCICLKINITM)

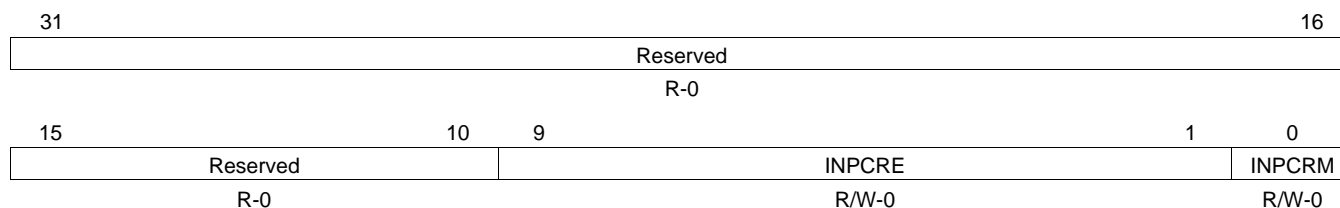
The transport stream interface clock initialization MSB register (TCICLKINITM) is used to initialize the hardware counter to synchronize with the system time clock. .

On receiving the first packet containing a program clock reference (PCR) header, the DSP writes the most-significant bit (MSB) of the PCR and the 9-bit PCR extension into TCICLKINITM. This initializes the counter to the system time clock. TCICLKINITM should also be updated by the DSP whenever a discontinuity in the PCR field is detected.

To ensure synchronization and prevent false compare detection, the software should disable the system time clock interrupt (clear the STEN bit in TCICLTL) prior to writing to TCICLKINITM. All bits of the system time counter are initialized whenever either TCICLKINITL or TCICLKINITM are written.

The TCI clock initialization MSB register (TCICLKINITM) is shown in [Figure 3-33](#) and described in [Table 3-26](#)

Figure 3-33. TCI Clock Initialization MSB Register (TCICLKINITM)



LEGEND: R/W = Read/Write; R = Read only; -n = value after reset

Table 3-26. TCI Clock Initialization MSB Register (TCICLKINITM) Field Descriptions

Bit	field ⁽¹⁾	symval ⁽¹⁾	Value	Description	
				BT.656, Y/C Mode, or Raw Data Mode	TCI Mode
31-10	Reserved	-	0	Reserved. The reserved bit location is always read as 0. A value written to this field has no effect.	
9-1	INPCRE	OF(value) DEFAULT	0-1FFh 0	Not used.	Initializes the extension portion of the system time clock.
0	INPCRM	OF(value) DEFAULT	0-1 0	Not used.	Initializes the MSB of the system time clock.

⁽¹⁾ For CSL implementation, use the notation VP_TCICLKINITM_field_symval

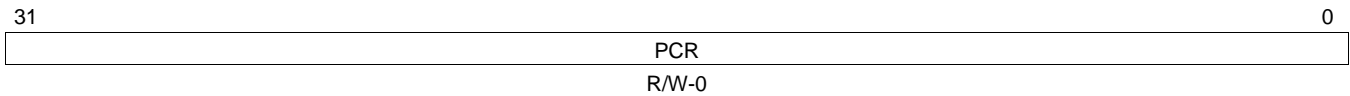
3.13.14 TCI System Time Clock LSB Register (TCISTCLKL)

The transport stream interface system time clock LSB register (TCISTCLKL) contains the 32 least-significant bits (LSBs) of the program clock reference (PCR). The system time clock value is obtained by reading TCISTCLKL and TCISTCLKM.

TCISTCLKL represents the current value of the 32 LSBs of the base PCR that normally counts at a 90-kHz rate. Since the system time clock counter continues to count, the DSP may need to read TCISTCLKL twice in a row to ensure an accurate value.

The TCI system time clock LSB register (TCISTCLKL) is shown in [Figure 3-34](#) and described in [Table 3-27](#).

Figure 3-34. TCI System Time Clock LSB Register (TCISTCLKL)



LEGEND: R/W = Read/Write; R = Read only; -n = value after reset

Table 3-27. TCI System Time Clock LSB Register (TCISTCLKL) Field Descriptions

Bit	field	symval ⁽¹⁾	Value	Description	
				BT.656, Y/C Mode, or Raw Data Mode	TCI Mode
31-0	PCR	OF(value) DEFAULT	0-FFFF FFFFh 0	Not used.	Contains the 32 LSBs of the program clock reference.

⁽¹⁾ For CSL implementation, use the notation VP_TCISTCLKL_PCR_symval

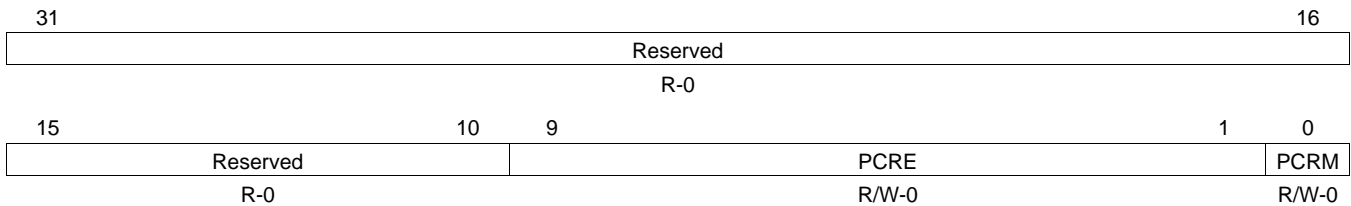
3.13.15 TCI System Time Clock MSB Register (TCISTCLKM)

The transport stream interface system time clock MSB register (TCISTCLKM) contains the most-significant bit (MSB) of the program clock reference (PCR) and the 9 bits of the PCR extension. The system time clock value is obtained by reading TCISTCLKM and TCISTCLKL.

The PCRE value changes at a 27-MHz rate and is probably not reliably read by the DSP. The PCRM bit normally changes at a 10.5-μHz rate (every 26 hours).

The TCI system time clock MSB register (TCISTCLKM) is shown in [Figure 3-35](#) and described in [Table 3-28](#).

Figure 3-35. TCI System Time Clock MSB Register (TCISTCLKM)



LEGEND: R/W = Read/Write; R = Read only; -n = value after reset

Table 3-28. TCI System Time Clock MSB Register (TCISTCLKM) Field Descriptions

Bit	field ⁽¹⁾	symval ⁽¹⁾	Value	Description	
				BT.656, Y/C Mode, or Raw Data Mode	TCI Mode
31-10	Reserved	-	0	Reserved. The reserved bit location is always read as 0. A value written to this field has no effect.	
9-1	PCRE	OF(value) DEFAULT	0-1FFh 0	Not used.	Contains the extension portion of the program clock reference.
0	PCRM	OF(value) DEFAULT	0-1 0	Not used.	Contains the MSB of the program clock reference.

⁽¹⁾ For CSL implementation, use the notation VP_TCISTCLKM_field_symval

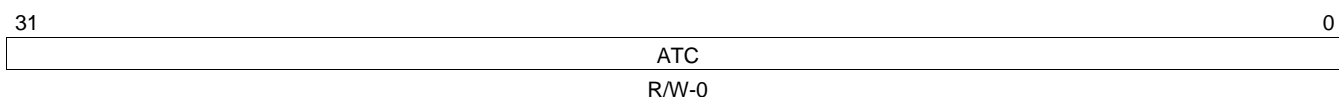
3.13.16 TCI System Time Clock Compare LSB Register (TCISTCMPL)

The transport stream interface system time clock compare LSB register (TCISTCMPL) is used to generate an interrupt at some absolute time based on the STC. TCISTCMPL holds the 32 least-significant bits (LSBs) of the absolute time compare (ATC). Whenever the value in TCISTCMPL and TCISTCMPM match the unmasked bits of the time kept by the STC hardware counter and the STEN bit in TCICTL is set, the STC bit in VPIS is set. .

To prevent inaccurate comparisons caused by changing register bits, the software should disable the system time clock interrupt (clear the STEN bit in TCICTL) prior to writing to TCISTCMPL.

The TCI system time clock compare LSB register (TCISTCMPL) is shown in [Figure 3-36](#) and described in [Table 3-29](#)

Figure 3-36. TCI System Time Clock Compare LSB Register (TCISTCMPL)



LEGEND: R/W = Read/Write; -n = value after reset

Table 3-29. TCI System Time Clock Compare LSB Register (TCISTCMPL) Field Descriptions

Bit	field	symval ⁽¹⁾	Value	Description	
				BT.656, Y/C Mode, or Raw Data Mode	TCI Mode
31-0	ATC	OF(value) DEFAULT	0-FFFF FFFFh 0	Not used.	Contains the 32 LSBs of the absolute time compare.

⁽¹⁾ For CSL implementation, use the notation VP_TCISTCMPL_ATC_symval

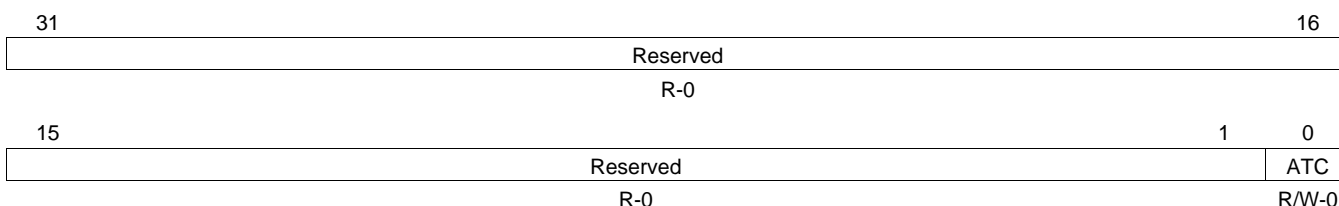
3.13.17 TCI System Time Clock Compare MSB Register (TCISTCMPM)

The transport stream interface system time clock compare MSB register (TCISTCMPM) is used to generate an interrupt at some absolute time based on the STC. TCISTCMPM holds the most-significant bit (MSB) of the absolute time compare (ATC). Whenever the value in TCISTCMPM and TCISTCMPL match the unmasked bits of the time kept by the STC hardware counter and the STEN bit in TCICTL is set, the STC bit in VPIS is set. .

To prevent inaccurate comparisons caused by changing register bits, the software should disable the system time clock interrupt (clear the STEN bit in TCICTL) prior to writing to TCISTCMPM.

The TCI system time clock compare MSB register (TCISTCMPM) is shown in [Figure 3-37](#) and described in [Table 3-30](#)

Figure 3-37. TCI System Time Clock Compare MSB Register (TCISTCMPM)



LEGEND: R/W = Read/Write; R = Read only; -n = value after reset

Table 3-30. TCI System Time Clock Compare MSB Register (TCISTCMPM) Field Descriptions

Bit	field	symval ⁽¹⁾	Value	Description	
				BT.656, Y/C Mode, or Raw Data Mode	TCI Mode
31-1	Reserved	-	0	Reserved. The reserved bit location is always read as 0. A value written to this field has no effect.	
0	ATC	OF(value)	0-1	Not used.	Contains the MSB of the absolute time compare.
		DEFAULT	0		

⁽¹⁾ For CSL implementation, use the notation VP_TCISTCMPM_ATC_symval

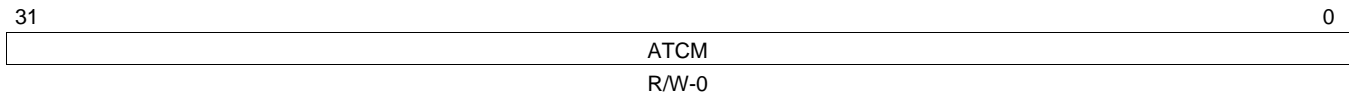
3.13.18 TCI System Time Clock Compare Mask LSB Register (TCISTMSKL)

The transport stream interface system time clock compare mask LSB register (TCISTMSKL) holds the 32 least-significant bits (LSBs) of the absolute time compare mask (ATCM). This value is used with TCISTMSKM to mask out bits during the comparison of the ATC to the system time clock for absolute time. The bits that are set to one mask the corresponding ATC bits during the compare.

To prevent inaccurate comparisons caused by changing register bits, the software should disable the system time clock interrupt (clear the STEN bit in TCICTL) prior to writing to TCISTMSKL.

The TCI system time clock compare mask LSB register (TCISTMSKL) is shown in [Figure 3-38](#) and described in [Table 3-31](#).

Figure 3-38. TCI System Time Clock Compare Mask LSB Register (TCISTMSKL)



LEGEND: R/W = Read/Write; -n = value after reset

Table 3-31. TCI System Time Clock Compare Mask LSB Register (TCISTMSKL) Field Descriptions

Bit	field	symval ⁽¹⁾	Value	Description	
				BT.656, Y/C Mode, or Raw Data Mode	TCI Mode
31-0	ATCM	OF(value)	0-FFFF FFFFh	Not used.	Contains the 32 LSBs of the absolute time compare mask.
		DEFAULT	0		

⁽¹⁾ For CSL implementation, use the notation VP_TCISTMSKL_ATCM_symval

3.13.19 TCI System Time Clock Compare Mask MSB Register (TCISTMSKM)

The transport stream interface system time clock compare mask MSB register (TCISTMSKM) holds the most-significant bit (MSB) of the absolute time compare mask (ATCM). This value is used with TCISTMSKL to mask out bits during the comparison of the ATC to the system time clock for absolute time. The bits that are set to one mask the corresponding ATC bits during the compare. .

To prevent inaccurate comparisons caused by changing register bits, the software should disable the system time clock interrupt (clear the STEN bit in TCICTL) prior to writing to TCISTMSKM.

The TCI system time clock compare mask MSB register (TCISTMSKM) is shown in [Figure 3-39](#) and described in [Table 3-32](#)

Figure 3-39. TCI System Time Clock Compare Mask MSB Register (TCISTMSKM)

31	Reserved	16
R-0		
15	Reserved	1 0
R-0		ATCM R/W-0

LEGEND: R/W = Read/Write; R = Read only; -n = value after reset

Table 3-32. TCI System Time Clock Compare Mask MSB Register (TCISTMSKM) Field Descriptions

Bit	field	symval ⁽¹⁾	Value	Description	
				BT.656, Y/C Mode, or Raw Data Mode	TCI Mode
31-1	Reserved	-	0	Reserved. The reserved bit location is always read as 0. A value written to this field has no effect.	
0	ATCM	OF(value) DEFAULT	0-1 0	Not used.	Contains the MSB of the absolute time compare mask.

⁽¹⁾ For CSL implementation, use the notation VP_TCISTMSKM_ATCM_symval

3.13.20 TCI System Time Clock Ticks Interrupt Register (TCITICKS)

The transport stream interface system time clock ticks interrupt register (TCITICKS) is used to generate an interrupt after a certain number of ticks of the 27-MHz system time clock. When the TICKCT value is set to *X* and the TCKEN bit in TCICTL is set, the TICK bit in VPIS is set every *X* + 1 STCLK cycles. Note that the tick interrupt counter and comparison logic function are separate from the PCR logic and always count STCLK cycles regardless of the value of the CTMODE bit in TCICTL.

A write to TCITICKS resets the tick counter 0. Whenever the tick counter reaches the TICKCT value, the TICK bit in VPIS is set and the counter resets to 0.

To prevent inaccurate comparisons caused by changing register bits, the software should disable the tick count interrupt (clear the TCKEN bit in TCICTL) prior to writing to TCITICKS.

The TCI system time clock ticks interrupt register (TCITICKS) is shown in [Figure 3-40](#) and described in [Table 3-33](#).

Figure 3-40. TCI System Time Clock Ticks Interrupt Register (TCITICKS)

31	TICKCT	0
R/W-0		

LEGEND: R/W = Read/Write; -n = value after reset

Table 3-33. TCI System Time Clock Ticks Interrupt Register (TCITICKS) Field Descriptions

Bit	field	symval ⁽¹⁾	Value	Description	
				BT.656, Y/C Mode, or Raw Data Mode	TCI Mode
31-0	TICKCT	OF(value) DEFAULT	0-FFFF FFFFh 0	Not used.	Contains the number of ticks of the 27-MHz system time clock required to generate a tick count interrupt.

⁽¹⁾ For CSL implementation, use the notation VP_TCITICKS_TICKCT_symval

3.14 Video Capture FIFO Registers

The capture FIFO mapping registers are listed in [Table 3-34](#). These registers provide read access to the capture FIFOs. These pseudo-registers should be mapped into DSP memory space rather than configuration register space in order to provide high-speed access. See the device-specific datasheet for the memory address of these registers. The function of the video capture FIFO mapping registers is listed in [Table 3-35](#).

Table 3-34. Video Capture FIFO Registers

Offset Address ⁽¹⁾	Acronym	Register Name
00h	YSRCA	Y FIFO Source Register A
20h	CBSRCA	Cb FIFO Source Register A
40h	CRSRCA	Cr FIFO Source Register A
00h	YSRCB	Y FIFO Source Register B
20h	CBSRCB	Cb FIFO Source Register B
40h	CRSRCB	Cr FIFO Source Register B

(1) The absolute address of the registers is device/port specific and is equal to the FIFO base address + offset address. See the device-specific datasheet to verify the register addresses.

Table 3-35. Video Capture FIFO Registers Function

Register	Capture Mode		
	BT.656 or Y/C	Raw Data	TCI
YSRCx	Maps Y capture buffer into DSP memory.	Maps data capture buffer into the DSP memory.	Maps data capture buffer into the DSP memory.
CBSRCx	Maps Cb capture buffer into DSP memory.	Not used.	Not used.
CRSRCx	Maps Cr capture buffer into DSP memory.	Not used.	Not used.

In BT.656 or Y/C capture mode, three EDMAs move data from the Y, Cb, and Cr capture FIFOs to the DSP memory by using the memory-mapped YSRCx, CBSRCx, and CRSRCx registers. The EDMA transfers are triggered by the YEVT, CbEVT, and CrEVT events, respectively.

In raw capture mode, one EDMA channel moves data from the Y capture FIFO to the DSP memory by using the memory-mapped YSRCx register. The EDMA transfers are triggered by a YEVT event.

The video port packs receive data into 64-bit words in the FIFO and the EDMA should always move 64-bit-wide data from YSRCx, CBSRCx, and CRSRCx to the memory.

Video Display Port

The video port peripheral can operate as a video capture port, video display port, or transport stream interface (TCI) capture port. This chapter discusses the video display port.

Topic	Page
4.1 Video Display Mode Selection	93
4.2 BT.656 Video Display Mode	98
4.3 Y/C Video Display Mode	102
4.4 Video Output Filtering	103
4.5 Ancillary Data Display	106
4.6 Raw Data Display Mode	106
4.7 Video Display Field and Frame Operation	108
4.8 Display Line Boundary Conditions	109
4.9 Display Timing Examples	110
4.10 Displaying Video in BT.656 or Y/C Mode	119
4.11 Displaying Video in Raw Data Mode	120
4.12 Video Display Registers	122
4.13 Video Display Registers Recommended Values	148
4.14 Video Display FIFO Registers	149

4.1 Video Display Mode Selection

The video display module operates in one of three modes as listed in [Table 4-1](#). The DMODE bits are in the video display control register (VDCTL). The Y/C and 16-bit raw display modes may only be selected if the DCDIS bit in the video port control register (VPCTL) is cleared to 0.

Table 4-1. Video Display Mode Selection

DMODE Bits	Mode	Description
000	8-Bit ITU-R BT.656 Display	Digital video output is in YCbCr 4:2:2 with 8-bit resolution multiplexed in ITU-R BT.656 format.
010	8-Bit Raw Display	8-bit data output
100	8-Bit Y/C Display	Digital video is output in YCbCr 4:2:2 with 8-bit resolution on parallel Y and Cb/Cr multiplexed channels.
110	16-Bit Raw Display	16-bit data output.

4.1.1 Image Timing

Display devices generate interlaced images by controlling the vertical retrace timing. The video display module emits a data stream used to generate a displayed image. An NTSC-compatible interlaced image with field and line information is shown in [Figure 4-1](#). A progressive-scan image (SMPTE 296M compatible) is shown in [Figure 4-2](#).

The active video area represents the pixels visible on the display. The active video area begins after the horizontal and vertical blanking intervals. The image area output by the video display module can be a subset of the active area. The relationship between frame, active video area, and image area is presented in [Figure 4-3](#) for interlaced video and in [Figure 4-4](#) for progressive video. The video display module generates timing for frames, active video areas within frames, and images within the active video area.

Figure 4-1. NTSC Compatible Interlaced Display

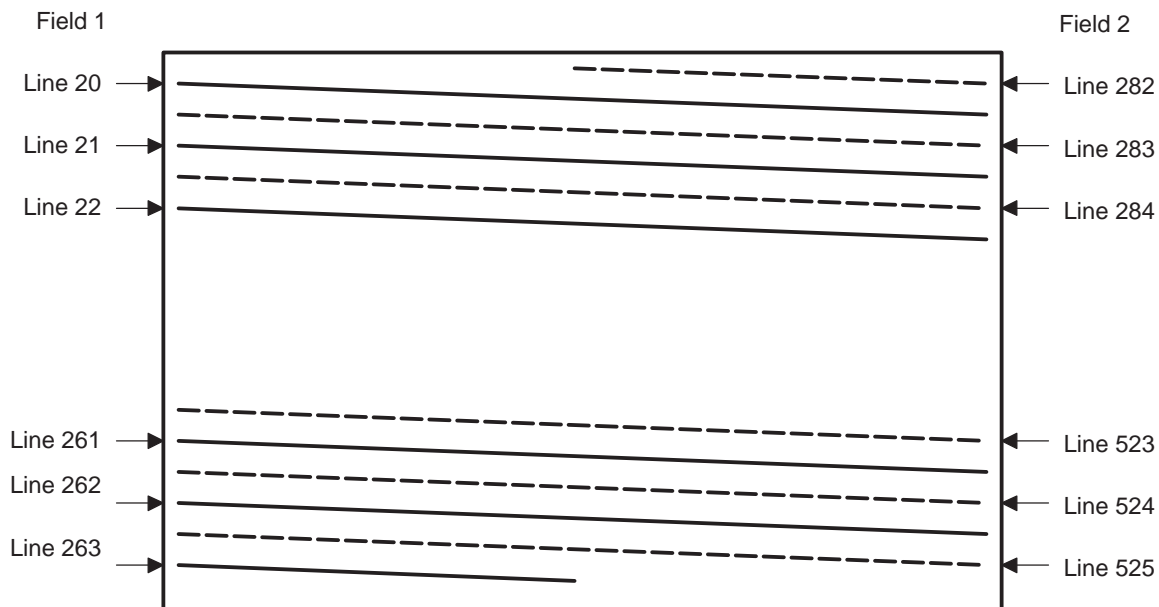


Figure 4-2. SMPTE 296M Compatible Progressive Scan Display

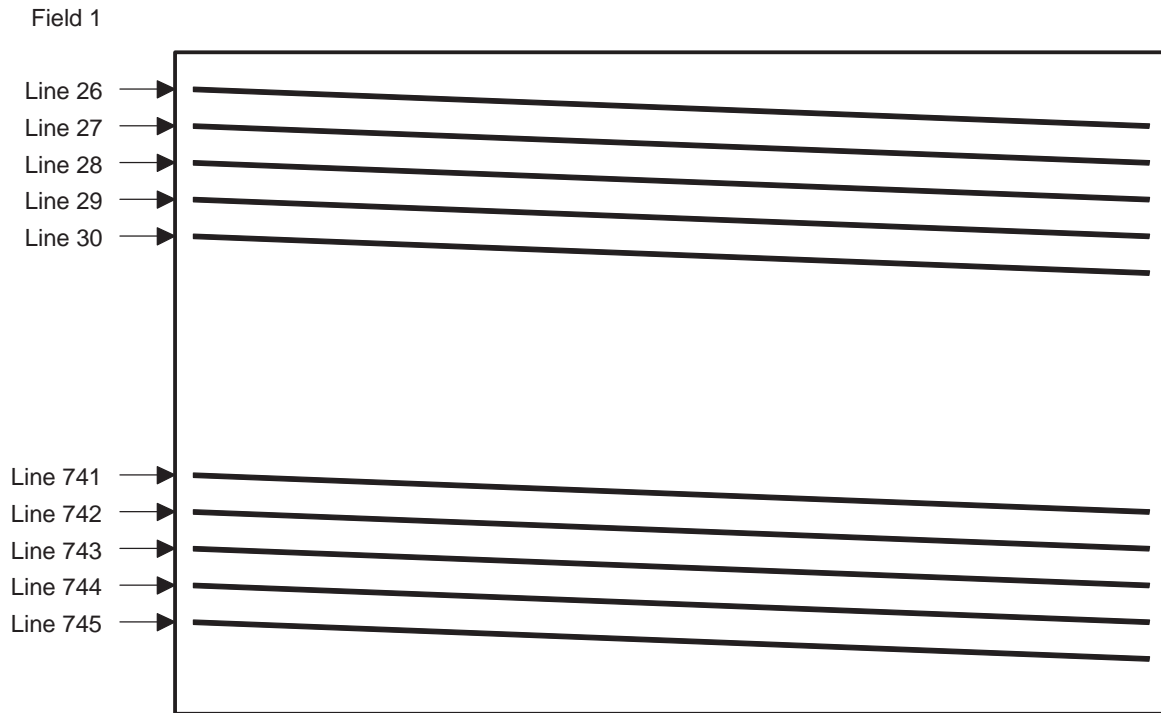


Figure 4-3. Interlaced Blanking Intervals and Video Areas

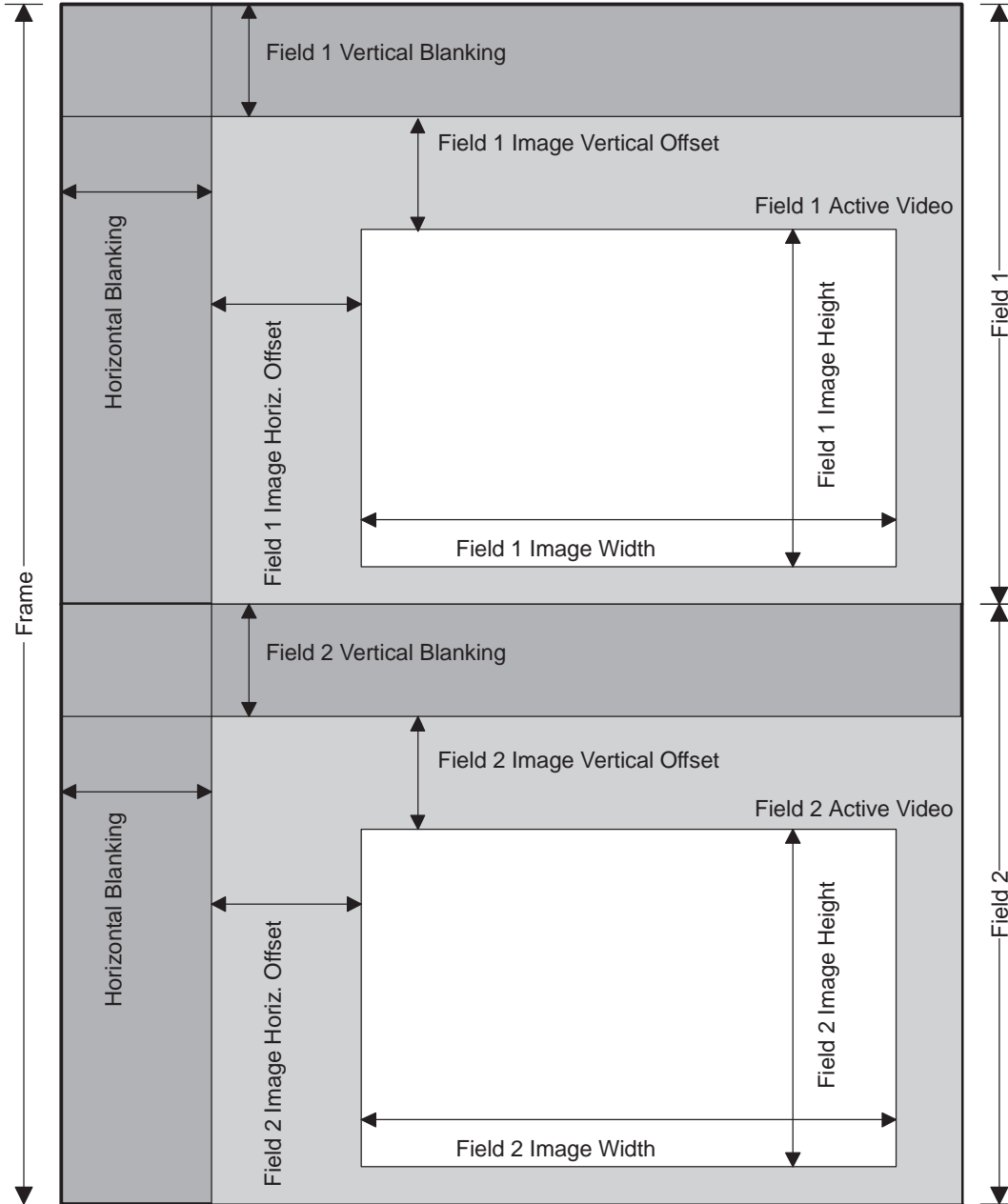
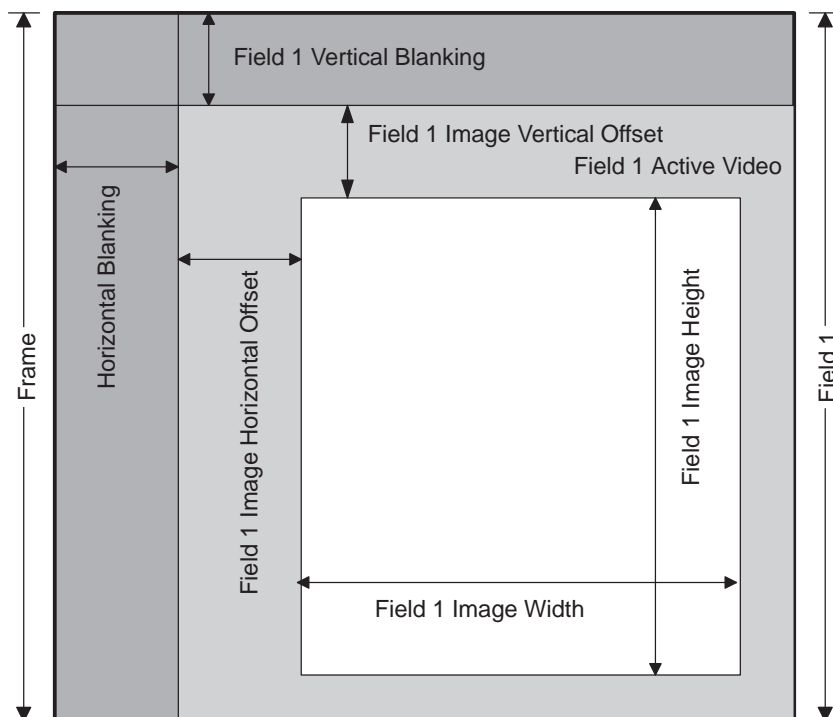


Figure 4-4. Progressive Blanking Intervals and Video Area


4.1.2 Video Display Counters

To generate the image timing, the video display module uses five counters:

- Frame line counter (FLCOUNT)
- Frame pixel counter (FPCOUNT)
- Image line counter (ILCOUNT)
- Image pixel counter (IPCOUNT)
- Video clock counter (VCCOUNT)

The frame line counter (FLCOUNT) counts the total number of lines per frame including vertical blanking intervals. The frame pixel counter (FPCOUNT) counts the total number of pixels per line including horizontal blanking intervals. FLCOUNT begins counting at the start of the vertical blanking interval of the first field. FPCOUNT begins counting at the end of the horizontal blanking interval of each line. They are reset when they reach their stop values as specified in the video display frame size register (VDFRMSZ).

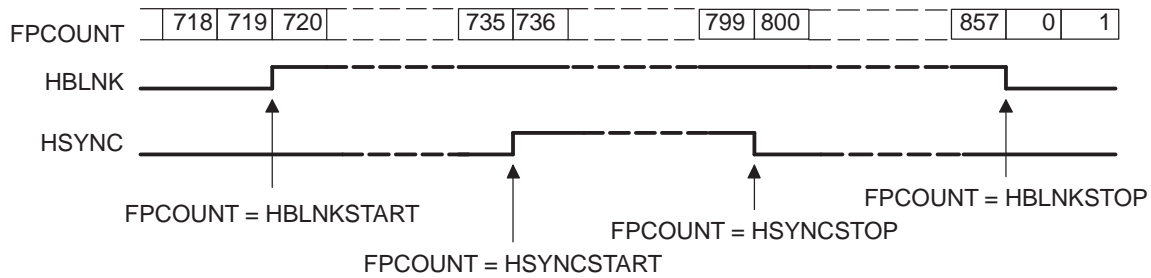
The image line counter (ILCOUNT) and the image pixel counter (IPCOUNT) track the visible image within the field. ILCOUNT begins counting at the first display image line in each field. IPCOUNT begins counting at the first displayed image pixel on each line. They stop counting when they reach the image height and image width as specified in the video display field n image size register (VDIMGSZ n).

The video clock counter (VCCOUNT) counts VCLKIN transitions to determine when to increment FPCOUNT and IPCOUNT as determined by the video display mode. In Y/C mode, FPCOUNT and IPCOUNT increment on each VCLKIN rising edge. In BT.656 mode, FPCOUNT and IPCOUNT increment on every other VCLKIN rising edge. In raw mode, FPCOUNT and IPCOUNT increment on every 1 to 16 VCLKIN cycles as programmed by the INCPPIX bits in the video display threshold register (VDTHRLD).

FPCOUNT and FLCOUNT are compared to various values to determine when to assert and negate various control signals. The 12-bit FPCOUNT is used to determine where to enable and disable horizontal sync and blanking information along each scan line. The state of FPCOUNT is reflected in the VDXPOS bits of the video display status register (VDSTAT).

Figure 4-5 shows how the horizontal blanking and horizontal synchronization signals are triggered. (HBLNK and HSYNC are shown active high).

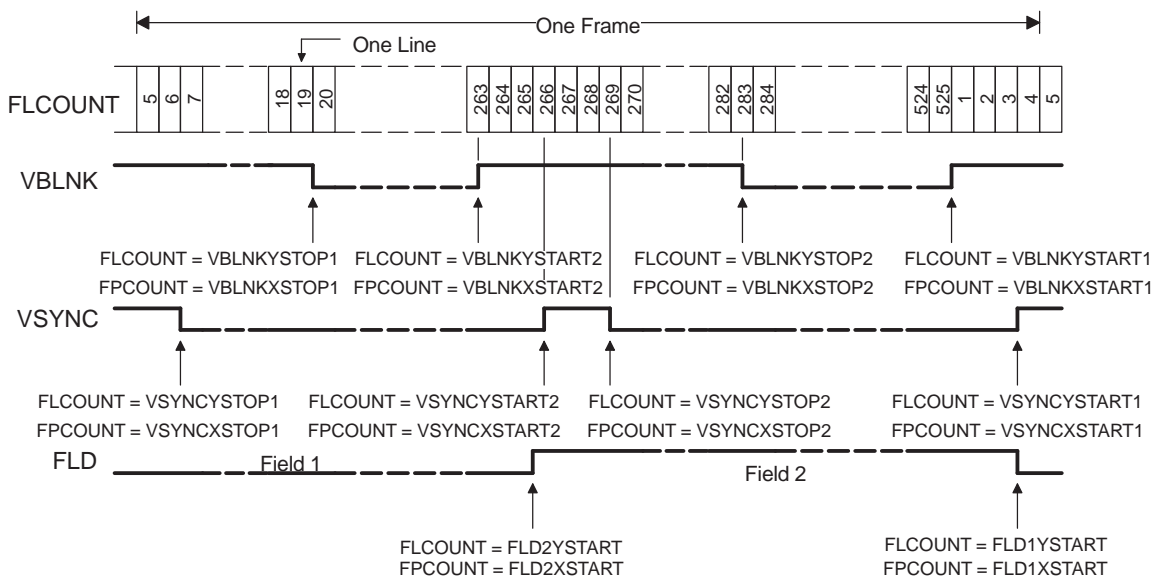
Figure 4-5. Horizontal Blanking and Horizontal Sync Timing



The 12-bit FLCOUNT counts which scan line is being generated. The FLCOUNT is reset to 1 after reaching the count specified in VDFRMSZ. (For BT.656 operation, the FRMHIGHT would be set to 525 (525/60 operation) or 625 (625/50 operation).) The state of FLCOUNT is reflected in the VDYPOS bits of VDSTAT. Figure 4-6 shows how the vertical blanking, vertical synchronization, and field identification signals are triggered. (VBLNK and VSYNC are shown active high.)

Note that the signals can transition at any place along the video line (specified by the XSTART and XSTOP bits of the appropriate registers). In this case, VBLNK starts at horizontal count VBLNKXSTART2 = 429 on scan line VBLNKYSTART2 = 263 (565/60 operation).

Figure 4-6. Vertical Blanking, Sync and Even/Odd Frame Signal Timing



4.1.3 Sync Signal Generation

The video display module must generate a number of control signals for both internal and external use. As seen in Section 4.1.2, the HSYNC, HBLNK, VSYNC, VBLNK, and FLD signals are generated directly from the pixel and line counters and comparison registers. Several additional signals are also generated indirectly for use in external control.

A composite blank (CBLNK) signal is generated as the logical-OR of the HBLNK and VBLNK signals. A composite sync (CSYNC) signal is also generated as the logical-OR of the HSYNC and VSYNC signals. (This is not a true analog CSYNC, which must include serration pulses during VSYNC and equalization pulses during vertical front and back porch periods.) Finally, an active video (AVID) signal is generated. AVID is the inverted CBLNK signal indicating when active video data is being output.

Up to three of the eight sync signals may be output on VCTL1, VCTL2, and VCTL3 as selected by the video display control register (VDCTL). Each signal may be output in its non-inverted or inverted form, as selected by the VCTnP bits in the video port control register (VPCTL).

4.1.4 External Sync Operation

The video display module may be synchronized with an external video source using external sync signals. VCTL1 may be configured as an external horizontal sync input. When the external HSYNC is asserted, FPCOUNT is loaded with the HRLD value and VCCOUNT is loaded with the CRLD value. VCTL2 may be configured as an external vertical sync input. When the external VSYNC is asserted during field 1, FLCOUNT is loaded with the VRLD value. Field determination is made using either VCTL3 as an external FLD input or by field detect logic using the VSYNC and HSYNC inputs.

4.1.5 Port Sync Operation

The video display module may be synchronized with the video display module of another video port on the device. This mode is provided to enable the output of 24-bit RGB data (for example, 8 bits of R and 8 bits of G on video port 0 operating in dual-channel synched 8-bit raw mode, and 8 bits of B on video port 1 operating in 8-bit raw mode with VP1 synched to VP0.) The slave port must have the same VCLKIN and programmed register values as the master port. The master port provides the control signals necessary to reset the slave port counters so that they maintain synchronization. Each video port may only synchronize to the previous videoport(the one with a lower number). An example for a three port device is shown in Figure 4-7.

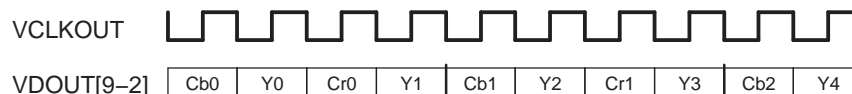
Figure 4-7. Video Display Module Synchronization Chain



4.2 BT.656 Video Display Mode

The BT.656 display mode outputs 8-bit 4:2:2 co-sited luma and chroma data multiplexed into a single data stream. Pixels are output in pairs with each pair consisting of two luma samples and two chroma samples. The chroma samples are associated with the first luma pixel of the pair. Output pixels are valid on the positive edge of VCLKOUT in the sequence CbYCrY as shown in Figure 4-8.

Figure 4-8. BT.656 Output Sequence



4.2.1 Display Timing Reference Codes

The end active video (EAV) code and start active video (SAV) code are issued at the start of each video line. EAV and SAV codes have a fixed format. The format is shown in Table 3-2. The EAV and SAV codes define the end and start of the horizontal-blanking interval, respectively, and they also indicate the current field number and the vertical blanking interval. The SAV and EAV codes have a 4-bit protection field to ensure valid codes. The video display module generates these protection bits as part of the SAV and EAV codes. Table 3-3 shows possible combinations of valid SAV and EAV codes with their protection bits. The video display pipeline generates SAV and EAV sync codes and inserts them into the output video stream according to the BT.656 specification.

The BT.656 line timing is shown in Figure 4-9 and Figure 4-10. Each line begins with an EAV code, a blanking interval, an SAV code, followed by the line of active video. The EAV code indicates the end of active video for the previous line, and the SAV code indicates the start of active video for the current line.

Figure 4-9. 525/60 BT.656 Horizontal Blanking Timing

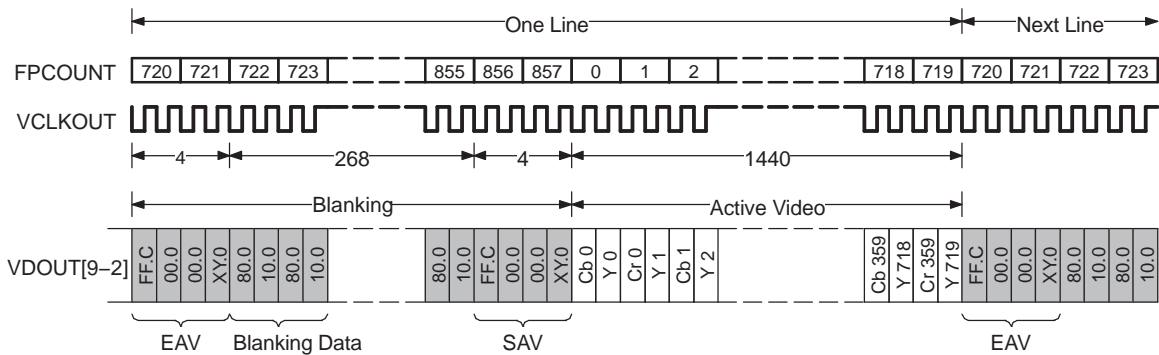
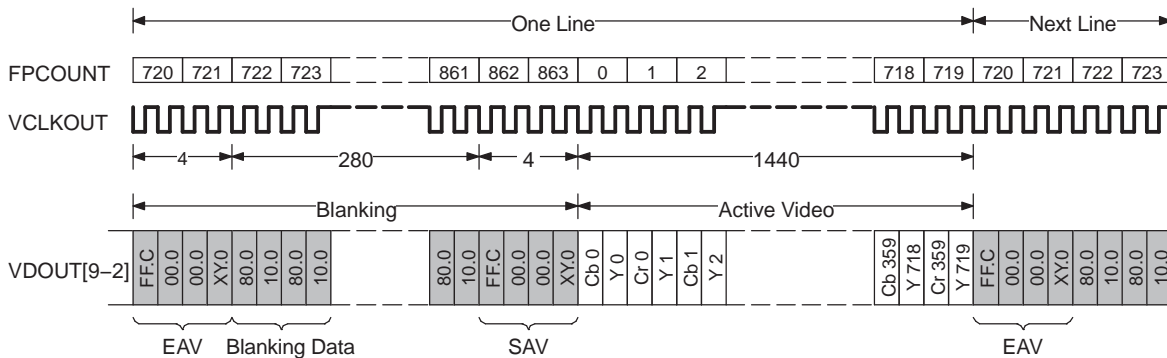


Figure 4-10. 625/50 BT.656 Horizontal Blanking Timing



BT.656 Video Display Mode

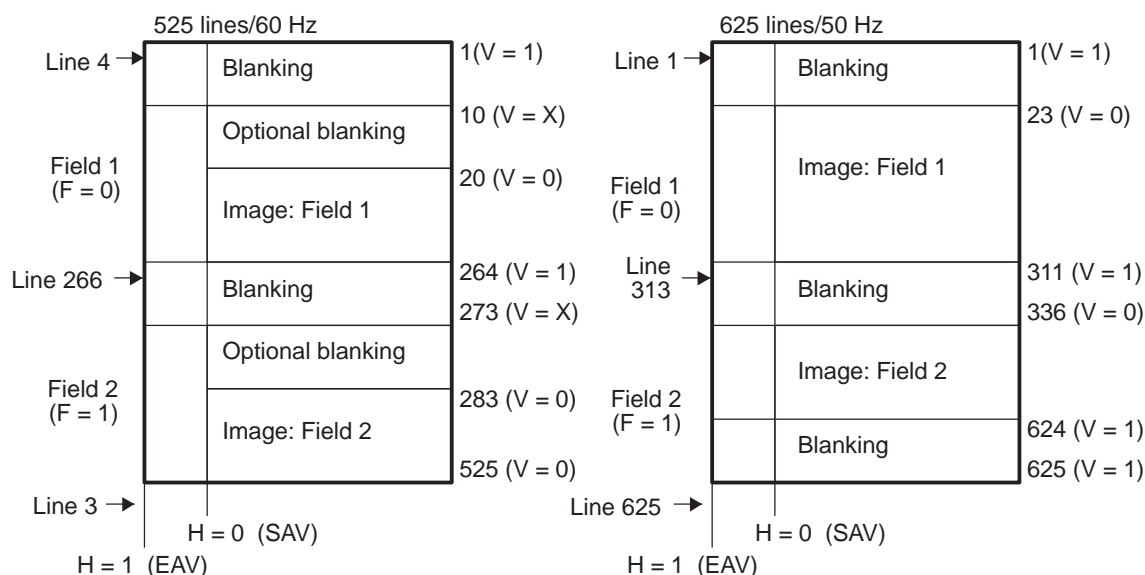
SAV and EAV codes are identified by a 3-byte preamble of FFh, 00h, and 00h. This combination must be avoided in the video data output by the video port to prevent accidental generation of an invalid sync code. The video display module provides programmable maximum and minimum value clipping on the video data to prevent this possibility.

The typical values for H, V, and F on different lines are shown in [Table 4-2](#) and [Figure 4-11](#).

F and V are only allowed to change at EAV sequences. The EAV and SAV sequences must occupy the first four words and the last four words of the digital horizontal-blanking interval, respectively. The EAV code is inserted when FPCOUNT = HBLNKSTART. The SAV code is inserted when FPCOUNT = HBLNKSTOP.

Table 4-2. BT.656 Frame Timing

Line Number		F	V	Description
625/50	525/60			
624-625	1-3	1	1	Vertical blanking for field 1, EAV/SAV code still indicates field 2.
1-22	4-19	0	1	Vertical blanking for field 1. Change EAV/SAV code to field 1.
23-310	20-263	0	0	Active video, field 1.
311-312	264-265	0	1	Vertical blanking for field 2, EAV/SAV code still indicates field 1.
313-335	266-282	1	1	Vertical blanking for field 2. Change EAV/SAV code to field 2.
336-623	283-525	1	0	Active video, field 2.

Figure 4-11. Digital Vertical F and V Transitions


Line Number	F	V	H (EAV)	H (SAV)	Line Number	F	V	H (EAV)	H (SAV)
1-3	1	1	1	0	1-22	0	1	1	0
4-19	0	1	1	0	23-310	0	0	1	0
20-263	0	0	1	0	311-312	0	0	1	0
264-265	0	1	1	0	313-335	1	1	1	0
266-282	1	1	1	0	336-623	1	0	1	0
283-525	1	0	1	0	624-625	1	1	1	0

4.2.2 Blanking Codes

The time between the EAV and SAV code on each line represents the horizontal blanking interval. During this time, the video port outputs digital video blanking values. These values are 10.0h for luma (Y) samples and 80.0h for chroma (Cb/Cr) samples. These values are also output during the active line period of vertical blanking (between SAV and EAV when V = 1). In addition, if the DVEN bit in VDCTL is cleared to 0, the blanking values are output during the portion of active video lines that are not a part of the displayed image.

4.2.3 BT.656 Image Display

For BT.656 display mode, the FIFO buffer is divided into three sections. One FIFO is 2560-bytes deep and is used for the storage of Y output samples; the other two FIFOs are each 1280-bytes deep and are dedicated for storage of Cb and Cr samples. Each FIFO has a memory-mapped location associated with it; YDST, CBDST, and CRDST. The pseudo-registers are write-only and are used by EDMAs to fill the FIFOs with output data. The video display module multiplexes the data from the three FIFOs to generate the output CbYCrY data stream.

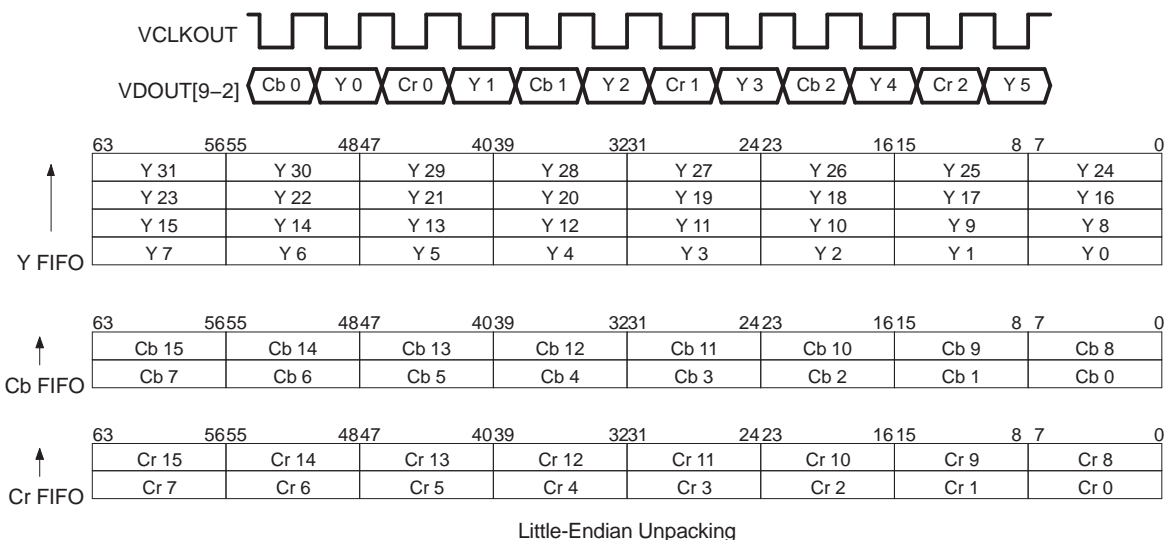
If video display is enabled, the video display module uses the YEVT, CbEVT, and CrEVT events to notify the EDMA controller that data needs to be placed into the display FIFOs. The number of pixels required to generate the events is set by the threshold field bits in VDTHRLD register. The video display module generates the event signals when the display buffer holds less than the threshold number of pixels and the display event counter has not expired. On every YEVT, the EDMA should move data from DSP memory to the Y buffer, using the Y FIFO destination register (YDST) content as the destination address. On every CbEVT, the EDMA should move data from DSP memory to the Cb buffer, using the Cb FIFO destination register (CBDST) content as the destination address. On every CrEVT, the EDMA should move data from DSP memory to the Cr buffer, using the Cr FIFO destination register (CRDST) content as the destination address. The EDMA transfer size for the Y buffer is twice the size of the EDMA for the Cb or Cr buffers.

4.2.4 BT.656 FIFO Unpacking

Display data is always packed into the FIFOs in 64-bit words and must be unpacked before being sent to the video display data pipeline. By default, data is unpacked from right to left.

The 8-bit BT.656 mode uses three FIFOs for color separation. Samples are unpacked from each word as shown in [Figure 4-12](#).

Figure 4-12. 8-Bit BT.656 FIFO Unpacking



4.3 Y/C Video Display Mode

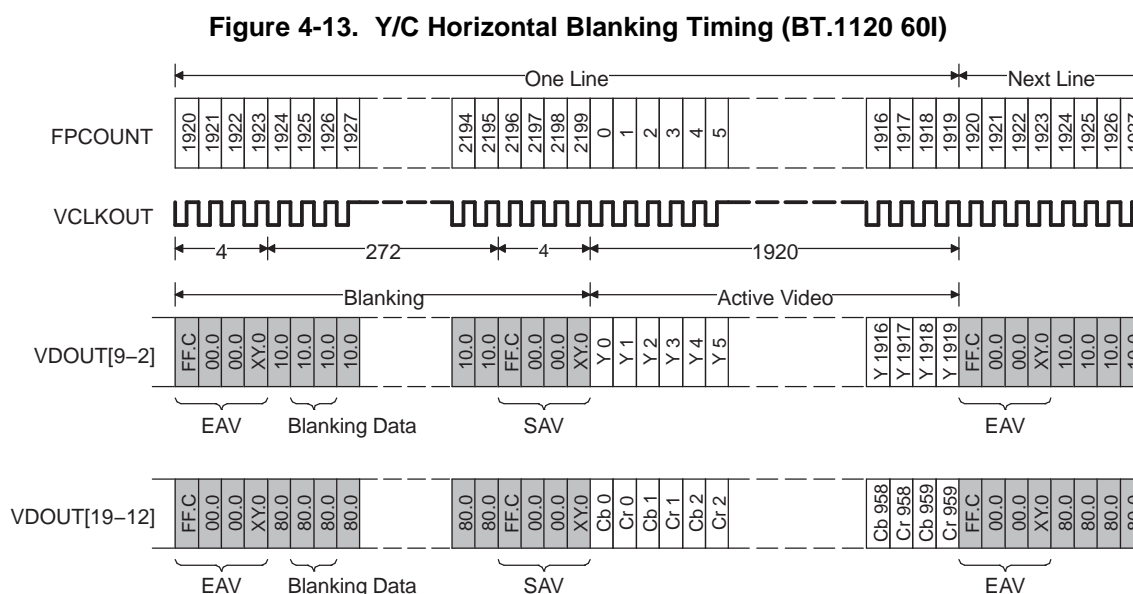
The Y/C display mode is similar to the BT.656 display mode but outputs 8-bit data on separate luma and chroma data streams. One data stream contains Y samples and the other stream contains multiplexed Cb and Cr samples co-sited with every other luminance sample. The Y samples are read from the Y FIFO and the Cb and Cr samples are read from the Cb and Cr FIFOs and combined on the chroma output.

The Y/C display mode can generate HDTV standard output such as BT.1120, SMPTE260, or SMPTE296 with embedded EAV and SAV codes. It can also output separate control signals.

Because 16 bits are used for data output, the Y/C output mode requires both halves of the video port data bus. If the DCHDIS bit in VPCTL is set, then Y/C mode cannot be selected.

4.3.1 Y/C Display Timing Reference Codes

The EAV and SAV embedded timing codes are identical to those output in BT.656 mode and timing is controlled in the same manner. In Y/C mode, however, the codes must be output on both the Y and C data streams (VDOUT[9-2] and VDOUT[19-12]). An example of BT.1120 line timing is shown in Figure 4-13.



4.3.2 Y/C Blanking Codes

The time between the EAV and SAV code on each line represents the horizontal blanking interval. During this time, the video port outputs the digital video blanking values. These values are 10h for luma (Y) samples and 80h for chroma (Cb/Cr) samples. These values are also output during the active line period of vertical blanking (between SAV and EAV when V = 1), unless replaced by VBI data. In addition, if the DVEN bit in VDCTL is 0, the blanking values are output during the portion of active video lines that are not a part of the displayed image.

4.3.3 Y/C Image Display

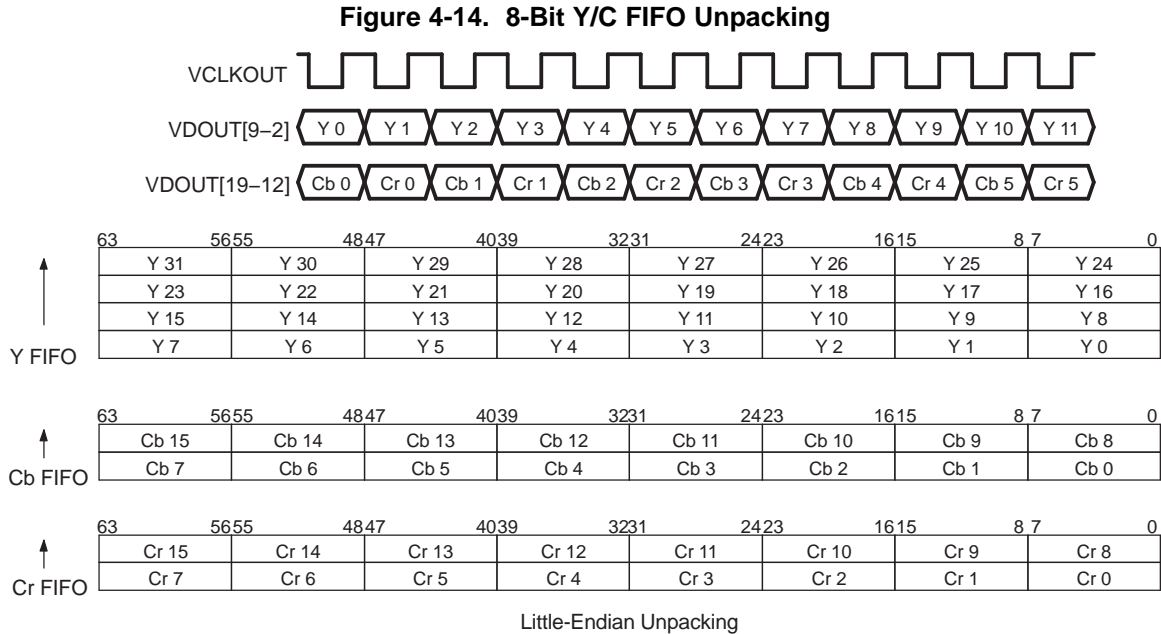
Many of the standards supported by the Y/C display mode provide for both interlaced and progressive scan formats. For interlaced display, the display controls are programmed identically to BT.656 mode. For progressive scan formats, the frame size is programmed to the size of a single field and only field 1 is used.

The Y/C display mode uses the same FIFO organization as the BT.656 display mode and generates EDMA events in the same manner.

4.3.4 Y/C FIFO Unpacking

Display data is always packed into the FIFOs in 64-bit words and must be unpacked before being sent to the display data pipeline. By default, data is unpacked from right to left.

The 8-bit Y/C mode uses three FIFOs for color separation. Samples are unpacked as shown in Figure 4-14.



4.4 Video Output Filtering

The video output filter performs simple hardware scaling and re-sampling on outgoing 8-bit BT.656 or 8-bit Y/C data. Filtering hardware is disabled during raw data display modes.

4.4.1 Output Filter Modes

The output filter has four modes of operation: no-filtering, 2x scaling, chrominance re-sampling, and 2x scaling with chrominance re-sampling. Filter operation is determined by the DMODE, SCALE, and RESMPL bits of the VDCTL.

Table 4-3 shows the output filter mode selection. When 8-bit BT.656 or Y/C display operation is selected, (DMODE = x00), scaling is selected by setting the SCALE bit and chrominance re-sampling is selected by setting the RESMPL bit. If 8-bit BT.656 or Y/C display is not selected (DMODE ≠ x00), filtering is disabled.

Table 4-3. Output Filter Mode Selection

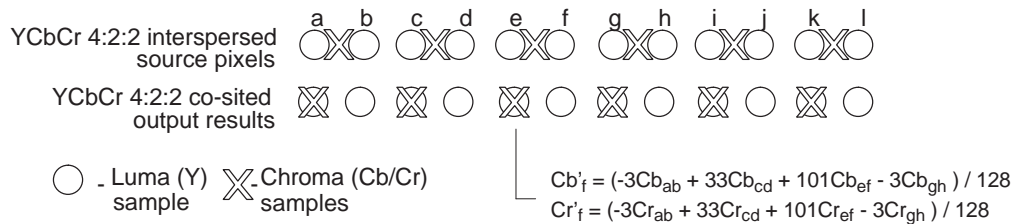
DMODE	VDCTL Bit		Filter Operation
	RESMPL	SCALE	
x00	0	0	No filtering
x00	0	1	2x scaling
x00	1	0	Chrominance re-sampling (full scale)
x00	1	1	2x scaling with chrominance re-sampling
x01	x	x	No filtering
x10	x	x	No filtering
x11	x	x	No filtering

4.4.2 Chrominance Re-sampling Operation

Chrominance re-sampling computes chrominance values at sample points corresponding to output luminance samples based on the input interspersed chrominance samples. This filter performs the conversion between interspersed YCbCr 4:2:2 format and co-sited YCbCr 4:2:2 format. The vertical portion of the conversion from YCbCr 4:2:0 to interspersed YCbCr 4:2:2 must be performed in software.

The chrominance re-sampling filters calculate the implied value of Cb and Cr co-sited with luminance sample points based upon nearby interspersed Cb and Cr samples. The resulting values are clamped to between 01h and FEh before being output. Chrominance re-sampling is shown in Figure 4-15.

Figure 4-15. Chrominance Re-sampling



4.4.3 Scaling Operation

The 2x -scaling mode is used to double the horizontal resolution of output luminance and chrominance data. This allows processed CIF resolution images to be output at full size. Vertical scaling must be performed in software. Scaling for co-sited source is shown in Figure 4-16 and scaling for interspersed source is shown in Figure 4-17.

For a co-sited source, the source luminance pixels are output unchanged for every even pixel (a, b, c, etc., in Figure 4-16). Odd luminance pixels (a', b', c', etc.) are generated from neighboring source (even) pixels using a four tap filter. The chrominance source pixels are output unchanged for every other even pixel (a, c, e, etc.). Other even output pixel (b, d, f, etc.) chrominance values are generated from neighboring source chrominance pixels using a four tap filter.

For an interspersed source, the luminance is output identically to the co-sited case. Chrominance output is generated using a four tap filter with one of two different coefficient sets depending on which source chrominance pixel the output pixel is closest.

Note that because input scaling is limited to 2x, full BT.656 width output is not achieved from CIF source images. The horizontal location of the reduced image can be adjusted using HOFFSET.

Figure 4-16. 2x Co-Sited Scaling

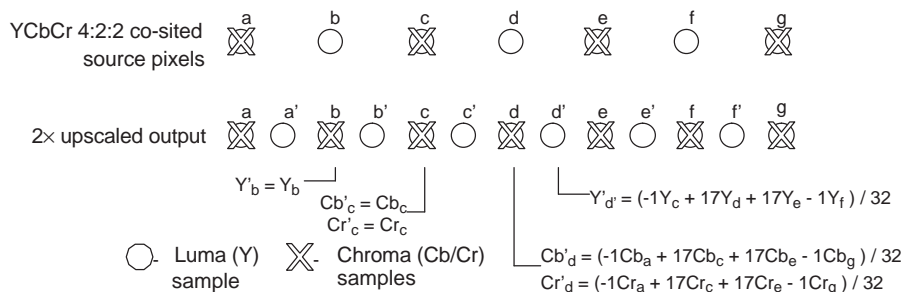
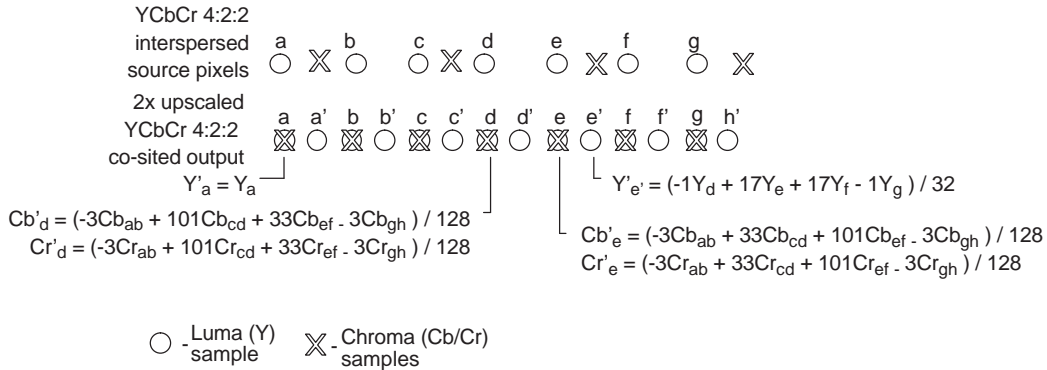


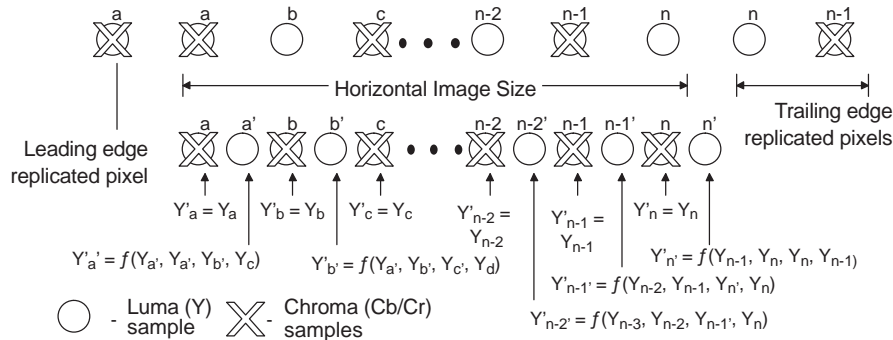
Figure 4-17. 2x Interspersed Scaling



4.4.4 Edge Pixel Replication

Because four tap filters are used on the output, the first and last two pixels on each line must be mirrored. An example of how the filter uses the mirrored pixels for the luminance filter (2x co-sited) is shown in Figure 4-18.

Figure 4-18. Output Edge Pixel Replication



Examples of luma edge and chroma edge replication for 2x interspersed to co-sited output are shown in Figure 4-19 and Figure 4-20, respectively.

Figure 4-19. Luma Edge Replication

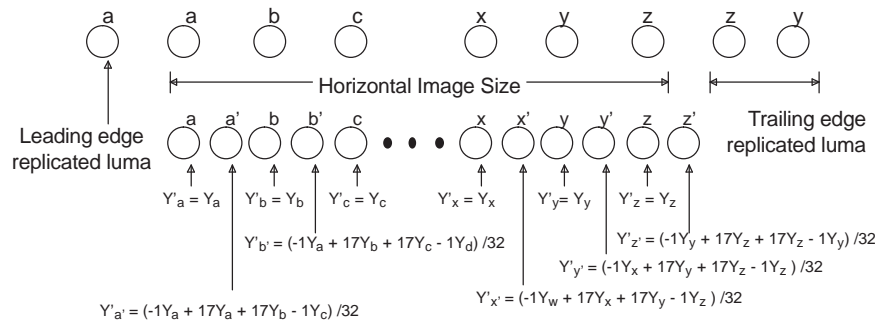
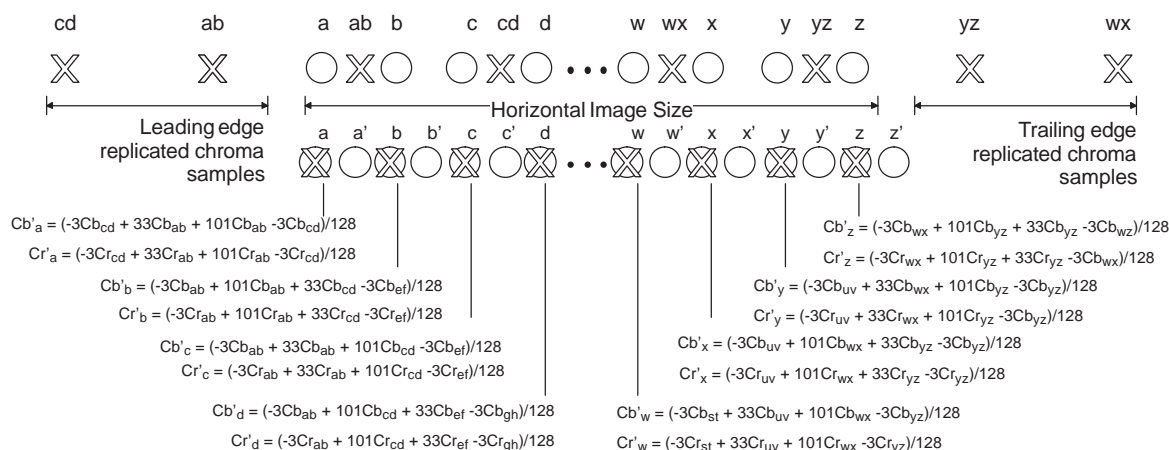


Figure 4-20. Interspersed Chroma Edge Replication


4.5 Ancillary Data Display

The following sections discuss ancillary data display. No special provisions are made for the display of horizontal ancillary (HANC) or vertical ancillary (VANC), also called vertical blanking interval (VBI), data.

4.5.1 Horizontal Ancillary (HANC) Data Display

HANC data can be displayed using the normal video display mechanism by programming `IMGHSIZEn` to occur prior to the SAV code. The HANC data including the ancillary data header must be part of the YCbCr separated data in the FIFOs. The `VCTHRLD` value and EDMA size must be programmed to comprehend the additional samples. You must disable scaling and chroma re-sampling when including the display of HANC data to prevent data corruption.

4.5.2 Vertical Ancillary (VANC) Data Display

VANC (or VBI) data is commonly used for such features as teletext and closed-captioning. No special provisions are made for the display of VBI data. VBI data may be displayed using the normal display mechanism by programming `IMGVOFF` to occur before the first line of active video on the first line of desired VBI data. Note that the VBI data must be YCbCr separated. You must disable scaling and chroma re-sampling when the display of VBI data is desired or the data will be corrupted by the filters.

4.6 Raw Data Display Mode

The raw data display modes are intended to output data to a RAMDAC or other D/A-type device. This is typically RGB formatted data. No timing information is inserted into the output data stream; instead, selectable control signals are output to indicate timing. Raw data display includes a synchronized dual channel option. This allows channel B to output a separate data stream using the same clock and control as channel A. This mode is useful when used with a second video port in systems that require 24-bit RGB output.

The raw data mode uses a single FIFO of 5120 bytes for storage of output data. The FIFO is filled by EDMAs writing to the Y FIFO destination register A (YDSTA). EDMAs are requested using the YEVT A event. In raw sync mode (RSYNC bit is set), the FIFO is split into 2560-byte channel A and B buffers. The channel B FIFO is filled by EDMAs using the Y FIFO destination register B (YDSTB) as a destination. Both YEVT A and YEVT B events are generated using the channel A timing control.

4.6.1 Raw Mode RGB Output Support

The raw data display mode has a special pixel count feature that allows the FPCOUNT increment rate to be set. FPCOUNT increments only when INCPIX samples have been sent out. This option allows proper tracking of the display pixels when sending out sequential RGB samples. (INCPIX would be set to three in this case, to indicate that a single pixel is represented by three output samples.)

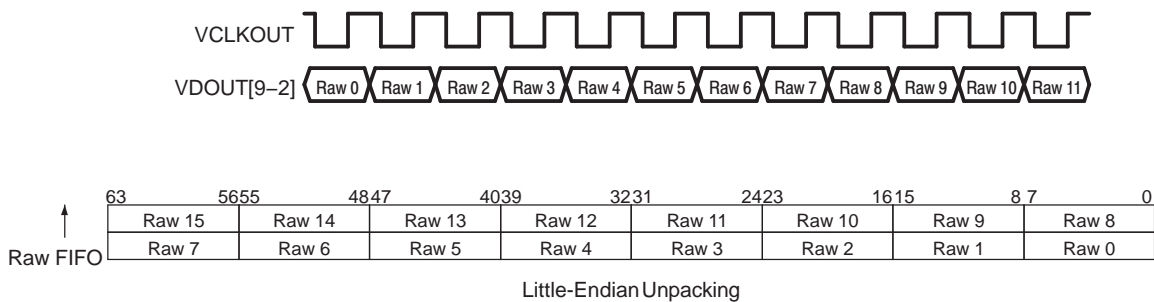
Sequential RGB samples output are also supported through a special FIFO unpacking mode. When the 8-bit raw 3/4 unpacking is selected (RGBX bit in VDCTL), three output bytes are selected from each word and the fourth byte is ignored. This allows the video port to correctly output data formatted as 24-bit RGB (or RGB α) words in memory.

4.6.2 Raw Data FIFO Unpacking

Display data is always packed into the FIFOs in 64-bit words and must be unpacked before being sent to the display data pipeline. By default, data is unpacked from right to left.

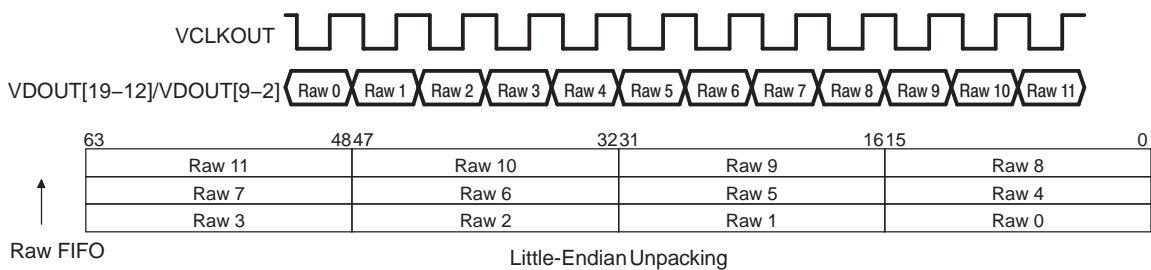
The 8-bit raw mode uses a single data FIFO. Samples are unpacked as shown in [Figure 4-21](#).

Figure 4-21. 8-Bit Raw FIFO Unpacking



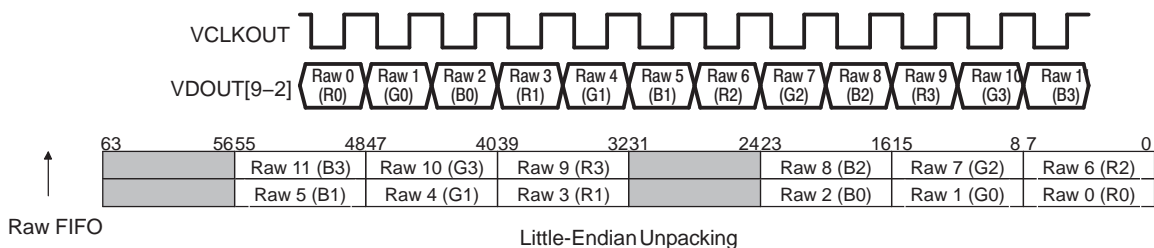
[Figure 4-22](#) shows the 16-bit raw mode. Samples are unpacked from each word of the FIFO.

Figure 4-22. 16-Bit Raw FIFO Unpacking



In 8-bit raw 3/4 mode, three samples are unpacked from the FIFO and the remaining byte is ignored. This is shown in [Figure 4-23](#).

Figure 4-23. 8-Bit Raw FIFO Unpacking



4.7 Video Display Field and Frame Operation

As a video source, the video port always outputs entire frames of data and transmits continuous video control signals. Depending on the EDMA structure, however, the video port may need to interrupt the DSP on a field or frame basis to allow it to update video port registers or EDMA parameters. To achieve this, the video port provides programmable control over the display process.

4.7.1 Display Determination and Notification

In order to accommodate various display scenarios, EDMA structures, and processing flows, the video port employs a flexible display and DSP notification system. This is programmed using the CON, FRAME, DF1, and DF2 bits in VDCTL.

The CON bit controls the display of multiple fields or frames. When CON = 1, continuous display is enabled, the video port displays outgoing fields (assuming the VDEN bit is set) without the need for DSP interaction. It relies on a single display buffer in memory or on a EDMA structure with circular buffering capability to service the display FIFOs. When CON = 0, continuous display is disabled, the video port sets a field or frame display complete bit (F1D, F2D, or FRMD) in VDSTAT upon the display of each field as determined by the state of the other display control bits (FRAME, CD1, and CD2). Once the display complete bit is set, the processor must update the appropriate EDMA parameters within the allotted time frame or a subsequent field or frame may output invalid data. In this case, the video port continues to generate EDMA requests but it issues a DCNA (display complete not acknowledged) interrupt to indicate that the EDMA parameters may not have been updated and bad data is being sent to the video port.

When a field or frame has not been enabled for display, no EDMA events are sent for that field or frame. The video port still generates all timings for the field but outputs the default data values rather than data from the display FIFO during the display image window.

The CON, FRAME, DF1, and DF2 bits encode the display operations as listed in [Table 4-4](#).

Table 4-4. Display Operation

VDCTL Bit				Operation
CON	FRAME	DF2	DF1	
0	0	0	0	Reserved
0	0	0	1	Noncontinuous field 1 display. Display only field 1. F1D is set after field 1 display and causes DCMPx to be set. The F1D bit must be cleared by the DSP or a DCNA interrupt occurs. (The DSP has the entire field 2 time to clear F1D before next field 1 begins.) Can also be used for single progressive frame display (internal timing codes only). (The DSP has vertical blanking time to clear F1D before next frame begins.)
0	0	1	0	Noncontinuous field 2 display. Display only field 2. F2D is set after field 2 display and causes DCMPx to be set. The F2D bit must be cleared by the DSP or a DCNA interrupt occurs. (The DSP has the entire field 1 time to clear F2D before next field 2 begins.)
0	0	1	1	Noncontinuous field 1 and field 2 display. Display both fields. F1D is set after field 1 display and causes DCMPx to be set. The F1D bit must be cleared by the DSP before the next field 1 display or a DCNA interrupt occurs. (The DSP has the entire field 2 time to clear F1D before next field 1 begins.) F2D is set after field 2 display and also causes DCMPx to be set. The F2D bit must be cleared by the DSP before the next field 2 display or a DCNA interrupt occurs. (The DSP has the entire field 1 time to clear F2D before next field 2 begins.)
0	1	0	0	Noncontinuous frame display. Display both fields. FRMD is set after field 2 display and causes DCMPx to be set. A DCNA interrupt occurs upon completion of the next frame unless the FRMD bit is cleared. (The DSP has the entire next frame time to clear FRMD.)
0	1	0	1	Noncontinuous progressive frame display. Display field 1. FRMD is set after field 1 display and causes DCMPx to be set. A DCNA interrupt occurs upon completion of the next frame unless the FRMD bit is cleared. (The DSP has the entire next frame time to clear FRMD.) If external control signals are used, they must follow progressive format.
0	1	1	0	Reserved

Table 4-4. Display Operation (continued)

VDCTL Bit				Operation
CON	FRAME	DF2	DF1	
0	1	1	1	Single frame display. Display both fields. FRMD is set after field 2 display and causes DCMPx to be set. A DCNA interrupt occurs unless the FRMD bit is cleared. (The DSP has the field 2 to field 1 vertical blanking time to clear FRMD.)
1	0	0	0	Reserved
1	0	0	1	Continuous field 1 display. Display only field 1. F1D is set after field 1 display and causes DCMPx to be set (DCMPx interrupt can be disabled). No DCNA interrupt occurs, regardless of the state of F1D.
1	0	1	0	Continuous field 2 display. Display only field 2. F2D is set after field 2 display and causes DCMPx to be set (DCMPx interrupt can be disabled). No DCNA interrupt occurs, regardless of the state of F2D.
1	0	1	1	Reserved
1	1	0	0	Continuous frame display. Display both fields. FRMD is set after field 2 display and causes DCMPx to be set (DCMPx interrupt can be disabled). No DCNA interrupt occurs, regardless of the state of FRMD.
1	1	0	1	Continuous progressive frame display. Display field 1. FRMD is set after field 1 display and causes DCMPx to be set (DCMPx interrupt can be disabled). No DCNA interrupt occurs, regardless of the state of FRMD. (Functions identically to continuous field 1 display mode except the FRMD bit is used instead of the F1D bit.) If external control signals are used, they must follow progressive format.
1	1	1	0	Reserved
1	1	1	1	Reserved

4.7.2 Video Display Event Generation

The display FIFOs are filled using EDMAs as requested by the video port EDMA events. The VDTHRLD value indicates the level at which the FIFO has enough room to receive another EDMA block of data. Depending on the size of the EDMA, the FIFO may have room for multiple transfers before reaching the VDTHRLD level. Once the threshold is reached, another EDMA event is generated as soon as the FIFO again falls below the VDTHRLD level.

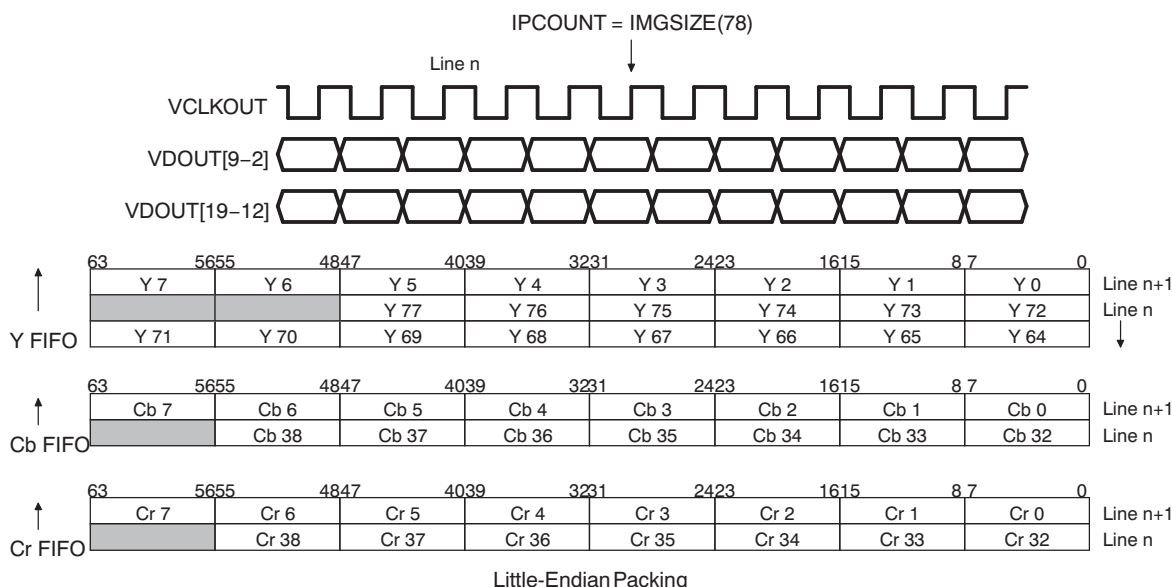
Once an entire field worth of data has been sent to the FIFO, the video port may need to stop generating events in order to allow the DSP to change EDMA. Since display may not yet be complete (the FIFO continues to empty after falling below VDTHRLD), a display event counter (DEVTCT) is provided to track the number of requested YEVT events. The counter is loaded with the number of events needed in a display field (DISPEVT1 or DISPEVT2) and is decremented each time the event is requested. Once the counter reaches 0, further display events are inhibited. At the start of the next field, DEVTCT is reloaded and display events are reenabled.

4.8 Display Line Boundary Conditions

In order to simplify EDMA transfers, FIFO double words do not contain data from more than one display line. This means that a FIFO read must be performed whenever 8-bytes have been output or when the line complete condition (IPCOUNT = IMGHSIZE) occurs. Thus, every display line begins on a double word boundary and non-double word length lines are truncated at the end. An example is shown in [Figure 4-24](#).

In [Figure 4-24](#) (8-bit Y/C mode), the line length is not a double word. When the condition IPCOUNT = IMGHSIZE occurs, the remaining bytes of the FIFO double word are ignored and the output switches to the default output value (or the EAV code followed by blanking, if the end of the active video line has been reached). The next display line then begins in the next FIFO location at byte 0. This operation extends to all display modes.

Figure 4-24. Display Line Boundary Example



4.9 Display Timing Examples

The following are examples of display output for several modes of operation.

4.9.1 Interlaced BT.656 Timing Example

This section shows an example of BT.656 display output for a 704 x 408 interlaced output image as might be generated by MPEG decoding.

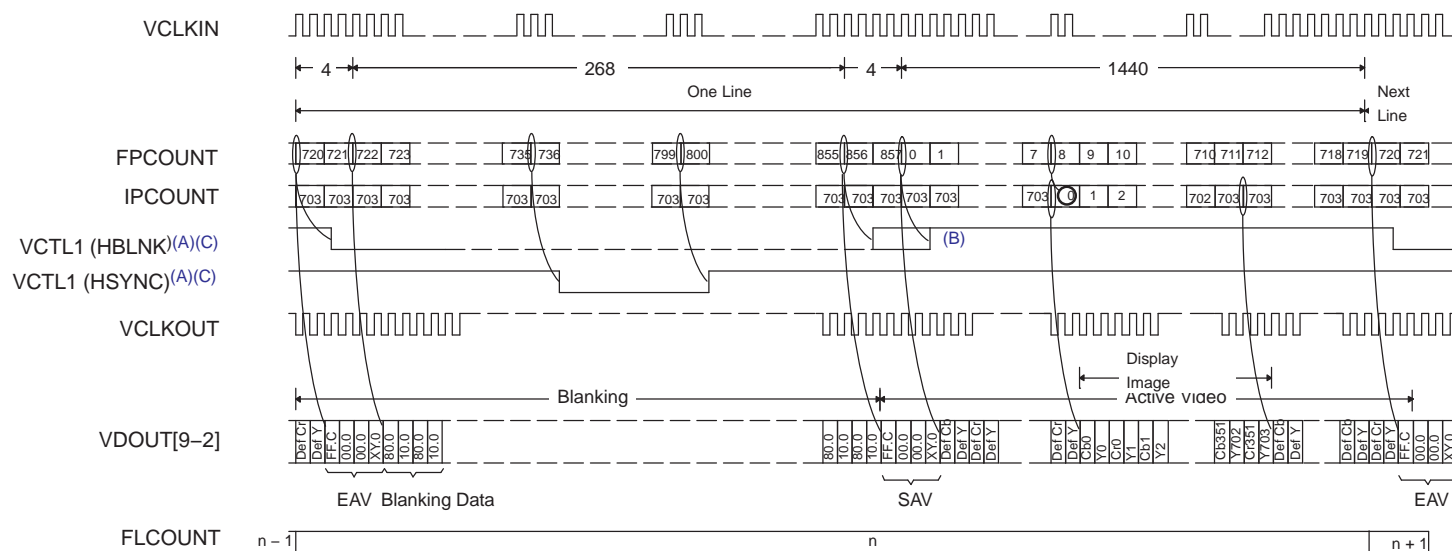
The horizontal output timing is shown in Figure 4-25. This diagram assumes that there is a two VCLK pipeline delay between the internal counter changing and the output on external pins. The actual delay can be longer or shorter as long as it is consistent within any display mode. The BT.656 active line is 720-pixels wide. Figure 4-25 shows the 704-pixel image window centered in the screen that results in an IMGHOFFx of 8 pixels.

The HBLNK and HSYNC signals are shown as they would be output for active-low operation. Note that only one of the two signals is actually available externally. The HBLNK inactive edge occurs either on sample 856 coincident with the start of SAV or on sample 0 (after SAV) if the HBDLA bit is set. For true BT.656 operation, neither HBLNK nor HSYNC would be used.

The IPCOUNT operation follows the description in Section 4.1.2. IPCOUNT resets to 0 at the first displayed pixel (FPCOUNT = IMGHOFFx) and stops counting at the last displayed pixel (IPCOUNT = IMGHSIZEx). The operation during non-display time is not a requirement, it could continue counting until the next FPCOUNT = IMGHOFFx point or it could reset immediately after IMGHSIZEx or when FPCOUNT is reset.

VDOUT shows the output data and switching between EAV, Blanking Data, SAV, Default Data, and FIFO Data. It is assumed that the DVEN bit in VDCTL is set to enable the default output.

Figure 4-25. BT.656 Interlaced Display Horizontal Timing Example



FRMWIDTH = 858 IMGHOFF1 = 8 HSYNCSTART = 736
 HBLNKSTART = 720 IMGHSIZE1 = 704 HSYNCSTOP = 800
 HBLNKSTOP = 856 IMGHOFF2 = 8
 IMGHSIZE2 = 704

- A Assumes VCTOP bit in VPCTL is set to 1 (active-low output). HSYNC output when VCTL1S bit in VDCTL is set to 00, HBLNK output when VCTL1S bit is set 01.
- B HBLNK operation when HBDLA bit in VDHBLNK is set to 1.
- C Diagram assumes a two VCLK pipeline delay between internal counters and output signals.

The interlaced BT.656 vertical output timing is shown in [Figure 4-26](#). The BT.656 active field 1 is 244-lines high and active field 2 is 243-lines high. This example shows the 480-line image window centered in the screen. This results in an $IMGV\text{OFF}_n$ of 3 lines and also results in a non-data line at the end of field 1 due to its extra active line.

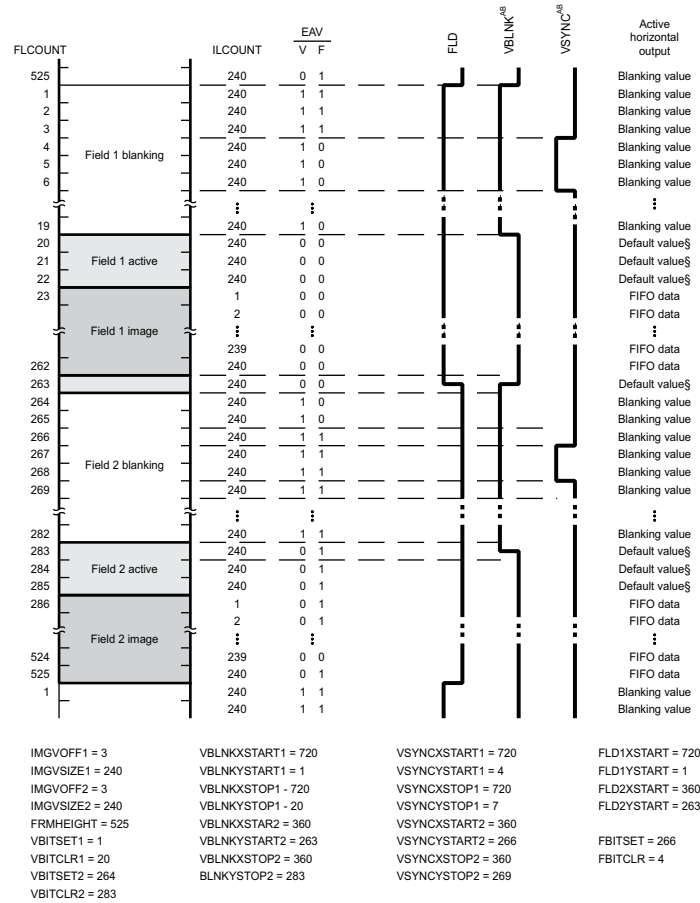
The VBLNK and VSYNC signals are shown as they would be output for active-low operation. Note that only one of the two signals is actually available externally. The VBLNK and VSYNC edges for field 1 occur at the end of an active line so their XSTART/XSTOP values are set to 720 (start of blanking). For field 2, VBLNK and VSYNC edges occur during the middle of the active horizontal line so their XSTART/XSTOP values are set to 360. Note that, from an analog standpoint, vertical blanking begins a half-line before digital blanking so that VBLNKYSTART2 is set to 263 (with VBLNKXSTART2 set to 360) while VBITSET2 is programmed to 264. For true BT.656 operation, neither VBLNK nor VSYNC would be used.

The FLD output is setup to transition at the start of each analog field (start of vertical blanking). Since EAV[F] transitions on lines 4 and 266, this requires programming FBITCLR to 4, FBITSET to 266, FLD1YSTART to 1, and FLD2YSTART to 263. Note that FLD2XSTRT is 360 so that the field indicator output changes halfway through the line.

The ILCOUNT operation follows the description in [Section 4.1.2](#). ILCOUNT resets to 1 at the first displayed line ($FLC\text{OUNT} = VBLNK\text{STOP}_x + IMGV\text{OFF}_x$) and stops counting at the last displayed pixel ($IPC\text{OUNT} = IMGV\text{SIZE}_x$). The operation during non-display time is not a requirement, it could continue counting until the next $FLC\text{OUNT} = VBLNK\text{STOP}_x + IMGV\text{OFF}_x$ point or it could reset immediately after $IMGV\text{SIZE}_x$ or when FLCOUNT is reset.

The active horizontal output column shows the output data during the active portion of the horizontal line. It is assumed that the DVEN bit in VDCTL is set to enable the default output.

Figure 4-26. BT.656 Interlaced Display Vertical Timing Example



- A Assumes VCT1P bit in VPCTL is set to 1 (active-low output). VSYNC output when VCTL2S bit in VDCTL is set to 00, VBLNK output when VCTL2S bit is set 01.
- B If DVEN bit in VDCTL is set to 1; otherwise, blanking value is output.

4.9.2 Interlaced Raw Display Example

This section shows an example of raw display output for the same 704 x 408 interlaced image.

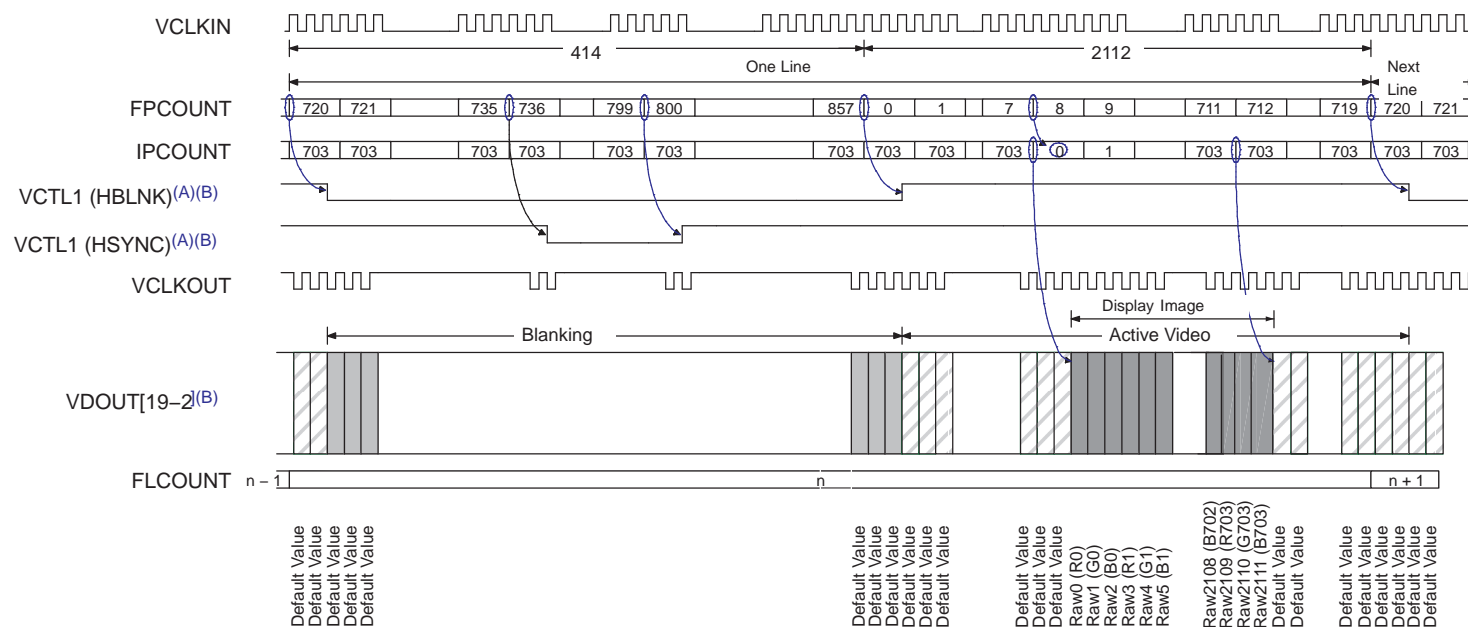
The horizontal output timing is shown in Figure 4-27. This diagram assumes that there is a two VCLK pipeline delay between the internal counter changing and the output on external pins. The active line is 720-pixels wide. Figure 4-27 shows the 704-pixel image window centered in the screen that results in an IMGHOFF_x of 8 pixels.

The HBLNK and HSYNC signals are shown as they would be output for active-low operation. Note that only one of the two signals is actually available externally. The HBLNK inactive edge occurs on sample 0.

The IPCOUNT operation follows the description in Section 4.1.2. IPCOUNT resets to 0 at the first displayed pixel (FPCOUNT = IMGHOFF_x) and stops counting at the last displayed pixel (IPCOUNT = IMGHSIZE_x). Both the IPCOUNT and FPCOUNT counters increment on every third VCLKIN rising edge, as programmed by the INCPIX bits in VDTHRLD with a value of 3.

VDOUT shows the output data and switching between Default Data, and FIFO Data. Three values are output sequentially on VDOUT for each pixel count. Note that the default value is output during both the blanking and non-display image active video regions.

Figure 4-27. Raw Interlaced Display Horizontal Timing Example



FRMWIDTH = 858
HBLNKSTART = 720
HBLNKSTOP = 0

IMGHOFF1 = 8
IMGHSIZE1 = 704
IMGHOFF2 = 8
IMGHSIZE2 = 704

HSYNCSTART = 736
HSYNCSTOP = 800

INCPIX = 3

- A Assumes VCT0P bit in VPCTL is set to 1 (active-low output). HSYNC output when VCTL1S bit in VDCTL is set to 00, HBLNK output when VCTL1S bit is set 01.
- B Diagram assumes a two VCLK pipeline delay between internal counters and output signals.

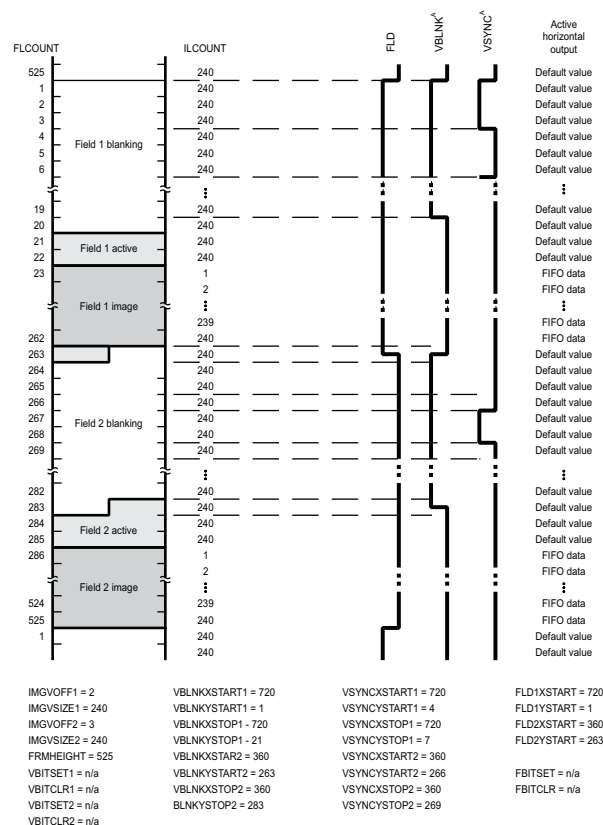
The vertical output timing for raw mode is shown in Figure 4-28. This example outputs the same 480-line window. Note that the raw display mode is typically noninterlaced for output to a monitor. This example shows the more complex interlaced case. The active field 1 is 242.5-lines high and active field 2 is 242.5-lines high. This example shows the 480-line image window centered in the screen. This results in an IMGVOFF1 of 2 lines and an IMGVOFF2 of 3 lines and also results in a non-data half-line at the end of field 1 and at the beginning of field 2 due to their non-integer line lengths.

The VBLNK and VSYNC signals are shown as they would be output for active-low operation. Note that only one of the two signals is actually available externally. The VBLNK and VSYNC edges for field 1 occur at the end of an active line so their XSTART/XSTOP values are set to 720 (start of blanking). For field 2, VBLNK and VSYNC edges occur during the middle of the active horizontal line so their XSTART/XSTOP values are set to 360.

The FLD output is setup to transition at the start of each analog field (start of vertical blanking). There is no EAV[F] bit in raw mode, so FLD1YSTRT is set to 1, FLD2YSTART is set to 263, FBITCLR and FBITSET are ignored. Note that FLD2XSTRT is 360 so that the field indicator output changes halfway through the line.

The active horizontal output column shows the output data during the active portion of the horizontal line. Note that in raw mode there is no blanking data value so the default value is output for the active portion of all non-image window lines.

Figure 4-28. Raw Interlaced Display Vertical Timing Example



A Assumes VCT1P bit in VPCTL is set to 1 (active-low output). VSYNC output when VCTL2S bit in VDCTL is set to 00, VBLNK output when VCTL2S bit is set 01.

4.9.3 Y/C Progressive Display Example

This section shows an example of progressive display operation. The output format follows SMPTE 296M-2001 specifications for a 1280 x 720/60 system. The example is for a 1264 x 716 progressive output image.

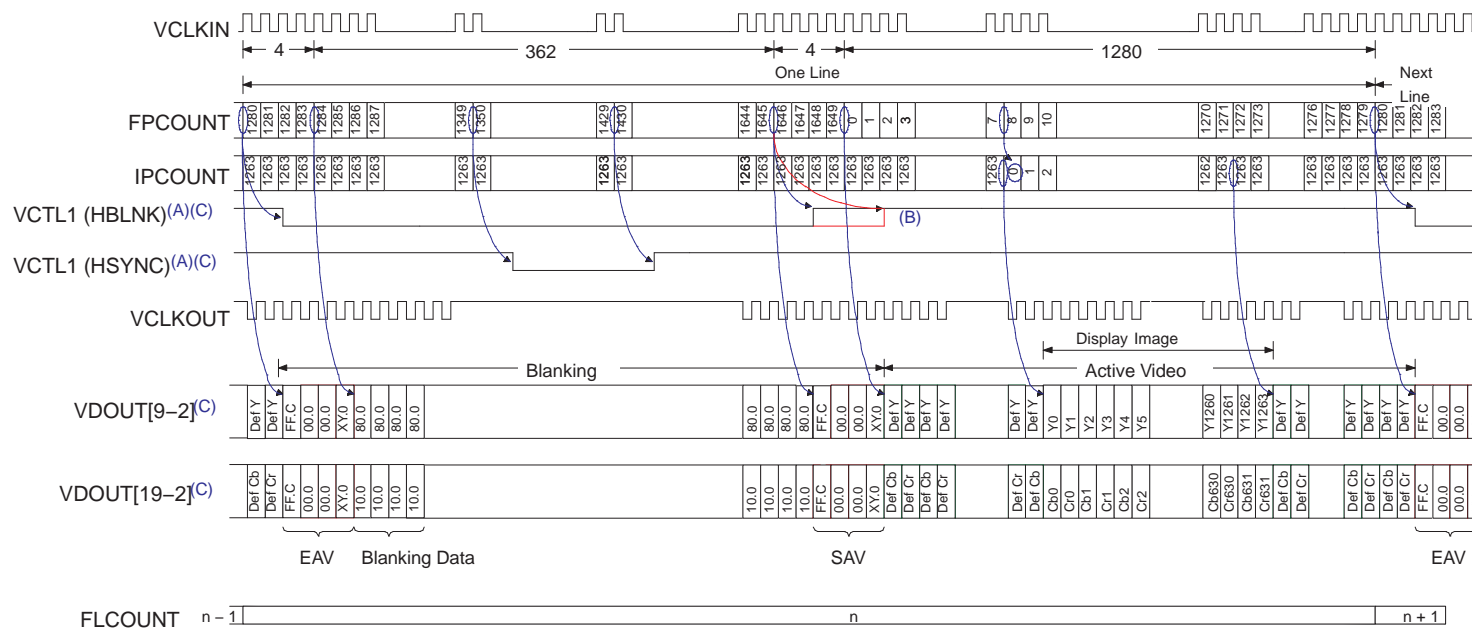
The horizontal output timing is shown in [Figure 4-29](#). This diagram assumes that there is a two VCLK pipeline delay between the internal counter changing and the output on external pins. The actual delay can be longer or shorter as long as it is consistent within any display mode. The SMPTE 296M 60-Hz active line is 1650-pixels wide. [Figure 4-29](#) shows the 1264-pixel image window centered in the screen that results in an IMGHOFFx of 8 pixels.

The HBLNK and HSYNC signals are shown as they would be output for active-low operation. Note that only one of the two signals is actually available externally. The HBLNK inactive edge occurs either on sample 1646 coincident with the start of SAV or on sample 0 (after SAV) if the HBDLA bit is set. For true SMPTE 296M operation, neither HBLNK nor HSYNC would be used.

The IPCOUNT operation follows the description in [Section 4.1.2](#). IPCOUNT resets to 0 at the first displayed pixel (FPCOUNT = IMGHOFFx) and stops counting at the last displayed pixel (IPCOUNT = IMGHSIZEx). The operation during non-display time is not a requirement, it could continue counting until the next FPCOUNT = IMGHOFFx point or it could reset immediately after IMGHSIZEx or when FPCOUNT is reset.

VDOOUT shows the output data and switching between EAV, Blanking Data, SAV, Default Data, and FIFO Data. It is assumed that the DVEN bit in VDCTL is set to enable the default output.

Figure 4-29. Y/C Progressive Display Horizontal Timing Example



FRMWIDTH = 1650 IMGHOFF1 = 8 HSYNCSTART = 1350
 HBLNKSTART = 1280 IMGHSIZE1 = 1264 HSYNCSTOP = 1430
 HBLNKSTOP = 1646 MGHOFF2 = n/a
 IMGHSIZE2 = n/a

- A Assumes VCTOP bit in VPCTL is set to 1 (active-low output). HSYNC output when VCTL1S bit in VDCTL is set to 00, HBLNK output when VCTL1S bit is set 01.
- B HBLNK operation when HBDLA bit in VDHBLNK is set to 1.
- C Diagram assumes a two VCLK pipeline delay between internal counters and output signals.

Display Timing Examples

The vertical output timing is shown in Figure 4-30. SMPTE 296M has a single active field 1 that is 720-lines high. This example shows the 716-line image window with an IMGVOFF_n of 3 lines and also results in a non-data line at the end of the field.

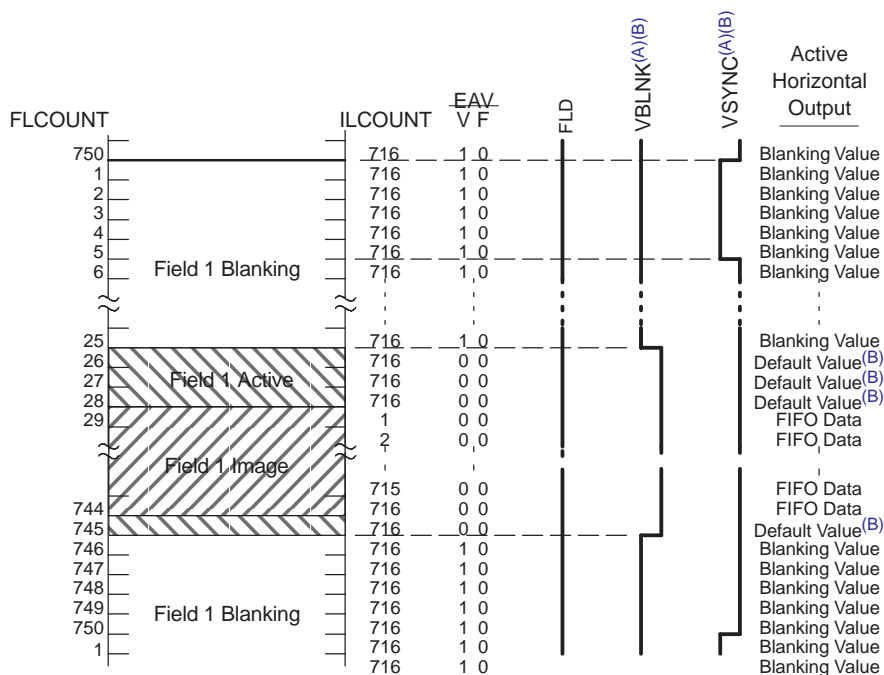
The VBLNK and VSYNC signals are shown as they would be output for active-low operation. Note that only one of the two signals is actually available externally. The VBLNK and VSYNC edges occur at the end of an active line so their XSTART/XSTOP values are set to 1280 (start of blanking). The field 2 vertical timing start and stop registers are programmed to a value greater than 750. Since this value is never reached by FLCOUNT, no extra VBLNK or VSYNC transitions occur. For true SMPTE 296M operation, neither VBLNK nor VSYNC would be used.

The FLD output is setup to transition low at the start of each frame. Since the FLD2YSTART value is never reached by FLCOUNT, the FLD output remains always low.

The ILCOUNT operation follows the description in Section 4.1.2. ILCOUNT resets to 1 at the first displayed line (FLCOUNT = VBLNKSTOP_x + IMGVOFF_n) and stops counting at the last displayed pixel (IPCOUNT = IMGVSIZE_x). The operation during non-display time is not a requirement, it could continue counting until the next FLCOUNT = VBLNKSTOP_x + IMGVOFF_n point or it could reset immediately after IMGVSIZE_x or when FLCOUNT is reset.

The active horizontal output column shows the output data during the active portion of the horizontal line. It is assumed that the DVEN bit in VDCTL is set to enable the default output.

Figure 4-30. Y/C Progressive Display Vertical Timing Example



- A Assumes VCT1P bit in VPCTL is set to 1 (active-low output). VSYNC output when VCTL2S bit in VDCTL is set to 00, VBLNK output when VCTL2S bit is set 01.
- B If DVEN bit in VDCTL is set to 1; otherwise, blanking value is output

4.10 Displaying Video in BT.656 or Y/C Mode

In order to display video in the BT.656 or Y/C format, the following steps are needed:

1. To use the desired Video Port, program the Pin Mux Register (PINMUX) appropriately to ensure that the multiplexed pins work as Video Port Pins. Refer to the device-specific data manual for details about PINMUX register.
2. Program the VPx_CTL Register appropriately to use the desired Video Port as a Display Port.
3. Set the PEREN bit in the video port peripheral control register (PCR).
4. Set the frame size in VDFRMSZ. Set the number of lines per frame (FRMHIGHT) and the number of pixels per line (FRMWIDTH).
5. Set the horizontal blanking in VDHBLNK. Specify the frame pixel counter value where horizontal blanking starts (HBLNKSTART) and pixel location where horizontal blanking stops (HBLNKSTOP).
6. Set the V bit timing for field 1 in VDVBIT1. Specify the line where the V bit is set (VBITSET1) and the line where the V bit is cleared (VBITCLR1).
7. If external VBLNK signal is needed, set the VBLNK start for field 1 in VDVBLKS1. Specify the frame line (VBLNKYSTART1) and frame pixel counter (VBLNKXSTART1) values for the pixel where VBLNK goes active for field 1. Set the VBLNK end for field 1 in VDVBLKE1. Specify the frame line (VBLNKYSTOP1) and frame pixel counter (VBLNKXSTOP1) values for the pixel where VBLNK goes inactive for field 1.
8. Set the V bit timing for field 2 in VDVBIT2. Specify the line where the V bit is set (VBITSET2) and the line where the V bit is cleared (VBITCLR2).
9. If external VBLNK signal is needed, set the VBLNK start for field 2 in VDVBLKS2. Specify the frame line (VBLNKYSTART2) and frame pixel counter (VBLNKXSTART2) values for the pixel where VBLNK goes active for field 2. Set the VBLNK end for field 2 in VDVBLKE2. Specify the frame line (VBLNKYSTOP2) and frame pixel counter (VBLNKXSTOP2) values for the pixel where VBLNK goes inactive for field 2.
10. Set VDIMGSZn. Adjust the displayed image size by setting the HSIZE and VSIZE bits.
11. Set VDIMOFF. Adjust the displayed image offset within the active video area (by setting HOFFSET and VOFFSET).
12. Set the F bit timing in VDFBIT. Specify the line where the F bit is cleared (FBITCLR) and the line where the F bit is set (FBITSET).
13. If external FLD output is required, set the video display field 1 timing. Specify the line and pixel where FLD goes inactive (VDFLDT1). Set the video display field 2 timing. Specify the line and pixel where FLD goes active (VDFLDT2).
14. Set VDCLIP. Default values for video clipping are 16 for the lower clipping, 235 for the higher clipping of the Y values, and 240 for the higher clipping of the Cb and Cr values.
15. Configure an EDMA to move data from the Y buffer in the DSP memory to YDSTA (memory-mapped Y display FIFO). The transfers should be triggered by the YEVT.
16. Configure an EDMA to move data from the Cb buffer in the DSP memory to CBDST (memory-mapped Cb display FIFO). The transfers should be triggered by the CbEVT. The size of the transfers should be set to 1/2 the Y transfer size.
17. Configure an EDMA to move data from the Cr buffer in the DSP memory to CRDST (memory-mapped Cr display FIFO). The transfers should be triggered by the CrEVT. The size of the transfers should be set to 1/2 the Y transfer size.
18. Set DISPEVT1 and DISPEVT2 bits in VDDISPEVT. Event count is total double words per field divided by total double words per Y EDMA transfer size.
19. Write to VPIE to enable under-run (DUND) and display complete (DCMP) interrupts, if desired.
20. Write to VDTHRLD to set the display FIFO threshold (VDTHRLD bits).
21. Write to VDCTL to:
 - Set display mode (DMODE = 00x for BT.656 output, 10x for Y/C output).
 - Set desired field/frame operation (CON, FRAME, DF1, DF2 bits).
 - Select control outputs (VCTL1S, VCTL2S, VCTL3S bits) or external sync inputs (HXS, VXS, FXS bits).
 - Enable scaling (SCALE and RESMPL bits), if desired and in 8-bit mode.
 - Set VDEN bit to enable the display.

22. Wait for 2 or more frame times, to allow the display counters and control signals to become properly synchronized.
23. Write to VDCTL to clear the BLKDIS bit.
24. Display is enabled at the start of the first frame after BLKDIS = 0 and begins with the first selected field. EDMA events are generated as triggered by VDTHRLD and the DEVTCT counter. When a selected field has been displayed (FLCOUNT = FRMHEIGHT and FPCOUNT = FRMWIDTH), the appropriate F1D, F2D, or FRMD bits are set and cause the DCMP bit in VPIS to be set. This generates a DSP interrupt, if the DCMP bit is enabled in VPIE.
25. If continuous display is enabled, the video port begins displaying again at the start of the next field or frame. If noncontinuous field 1 and field 2 or frame display is enabled, the next field or frame is displayed, during which the DSP must clear the appropriate completion status bit or a DCNA interrupt occurs and incorrect data may be output.

4.11 Displaying Video in Raw Data Mode

In order to display video in the raw data mode, the following steps are needed:

1. To use the desired Video Port, program the Pin Mux Register (PINMUX) appropriately to ensure that the multiplexed pins work as Video Port Pins. Refer to the device-specific data manual for details about PINMUX register.
2. Program the VPx_CTL Register appropriately to use the desired Video Port as a Display Port.
3. Set the PEREN bit in the video port peripheral control register (PCR).
4. Set the frame size in VDFRMSZ. Set the number of lines per frame (FRMHIGHT) and the number of pixels per line (FRMWIDTH).
5. Set the horizontal blanking in VDHBLNK. Specify the frame pixel counter value where horizontal blanking starts (HBLNKSTART) and pixel location where horizontal blanking stops (HBLNKSTOP).
6. Set the vertical blanking start for field 1 in VDVBLKS1. Specify the frame line (VBLNKYSTART1) and frame pixel counter (VBLNKXSTART1) values for the pixel where vertical blanking starts for field 1.
7. Set the vertical blanking end for field 1 in VDVBLKE1. Specify the frame line (VBLNKYSTOP1) and frame pixel counter (VBLNKXSTOP1) values for the pixel where vertical blanking ends for field 1.
8. Set VDIMGSZ_n. Adjust the displayed image size by setting the HSIZE and VSIZE bits.
9. Set VDIMOFF. Adjust the displayed image offset within the active video area (by setting HOFFSET and VOFFSET).
10. Set the vertical blanking start for field 2 in VDVBLKS2. Specify the frame line (VBLNKYSTART2) and frame pixel counter (VBLNKXSTART2) values for the pixel where vertical blanking starts for field 2.
11. Set the vertical blanking end for field 2 in VDVBLKE2. Specify the frame line (VBLNKYSTOP2) and frame pixel counter (VBLNKXSTOP2) values for the pixel where vertical blanking ends for field 2.
12. Set the vertical synchronization start for field 1 in VDVSYSN1. Specify the frame line (VSYNXYSTART1) and frame pixel counter (VSYNXXSTART1) values for the pixel where vertical synchronization starts for field 1.
13. Set the vertical synchronization end for field 1 in VDVSYSNE1. Specify the frame line (VSYNXYSTOP1) and frame pixel counter (VSYNXXSTOP1) values for the pixel where vertical synchronization ends for field 1.
14. Set the vertical synchronization start for field 2 in VDVSYSN2. Specify the frame line (VSYNXYSTART2) and frame pixel counter (VSYNXXSTART2) values for the pixel where vertical synchronization starts for field 2.
15. Set the vertical synchronization end for field 2 in VDVSYSNE2. Specify the frame line (VSYNXYSTOP2) and frame pixel counter (VSYNXXSTOP2) values for the pixel where vertical synchronization ends for field 2.
16. Set the horizontal synchronization in VDHSYNC. Specify the frame pixel counter value for a pixel where HSYNC gets asserted (HSYNXYSTART) and width of the HSYNC pulse (HSYNXYSTOP) in frame pixel clocks.
17. Set the video display field 2 timing. Specify the first line and pixel of field 2 in VDFLDT2.
18. Configure a EDMA to move data from table in the DSP memory to YDSTA (memory-mapped display FIFO). The transfers should be triggered by the YEVT.
19. Set DISPEVT1 and DISPEVT2 bits in VDDISPEVT. Event count is total double words per field divided

- by total double words per Y EDMA.
20. Write to VPIE to enable under-run (DUND) and display complete (DCMP) interrupts, if desired.
 21. Write to VDTHRLD to set the display FIFO threshold (VDTHRLD bits) and the FPCOUNT increment rate (INCPIX bit).
 22. Write to VDCTL to:
 - Set display mode (DMODE = 01x for 8-bit output, 11x for 16 bit output).
 - Set desired field/frame operation (CON, FRAME, DF1, DF2 bits).
 - Select control outputs (VCTL1S, VCTL2S, VCTL3S bits) or external sync inputs (HXS, VXS, FXS bits).
 - Select 10-bit unpacking mode (DPK bit), if appropriate.
 - Set VDEN bit to enable the display.
 23. Wait for 2 or more frame times, to allow the display counters and control signals to become properly synchronized.
 - In VPIE, poll for display complete (DCMP) interrupts.
 - Write to clear DCMP.
 - Poll for DCMP again.
 - Write to clear DCMP again.
 24. Write to VDCTL to clear the BLKDIS bit.
 25. Set the video display field 1 timing. Specify the first line and pixel of field 1 in VDFLDT1.
 26. Display is enabled at the start of the first frame after BLKDIS = 0 and begins with the first selected field. EDMA events are generated as triggered by VDTHRLD and the DEVTCT counter. When a selected field has been displayed (FLCOUNT = FRMHEIGHT and FPCOUNT = FRMWIDTH), the appropriate F1D, F2D, or FRMD bits are set and cause the DCMP bit in VPIS to be set. This generates a DSP interrupt, if the DCMP bit is enabled in VPIE.
 27. If continuous display is enabled, the video port begins displaying again at the start of the next field or frame. If noncontinuous field 1 and field 2 or frame display is enabled, the next field or frame is displayed, during which the DSP must clear the appropriate completion status bit or a DCNA interrupt occurs and incorrect data may be output.

4.11.1 Handling Under-run Condition of the Display FIFO

A FIFO under-run occurs when the display FIFO is empty during an active display line because a pending EDMA request failed to load the data in time. In case of a FIFO under-run condition, the DUND bit in VPIS is set. This condition initiates an interrupt to the DSP, if the under-run interrupt is enabled (the DUND bit in VPIE is set).

Because video display is typically a continuous real-time output, data output is not halted when a FIFO under-run occurs. (To output a blanking of default value is just as catastrophic to a display as outputting an old data value.) Instead, the FIFO read pointer continues to advance and (old) data continues to be output from the FIFO. This means that if the pending EDMA is only slightly late, the data transfer has a chance to catch the FIFO back up to the read pointer and correct data output resumes. If the pending EDMA does not complete service within a threshold's worth of output data, then the EDMA request sequence is broken and the remainder of the display field is corrupted.

The under-run interrupt routine should set the BLKDIS bit in VDCTL and it should reconfigure the EDMA channel settings. Setting the BLKDIS bit flushes the channel display FIFO and prevents channel EDMA events from reaching the EDMA controller. The EDMA must be reconfigured correctly for the next frame display since the current frame transfer failed. The frame line and frame pixel counters continue counting and, from a pin standpoint, the video display module appears to continue to function normally (SAV/EAV codes are generated in the BT.656 or Y/C mode and the default data value is sent out). The BLKDIS bit should then be cleared to reenable EDMA events. Clearing the BLKDIS bit does not enable EDMA events during the frame where the bit is cleared. Clearing this bit to zero enables EDMA events in the frame that follows the frame where the bit is cleared.

4.12 Video Display Registers

The registers for controlling the video display mode of operation are listed in [Table 4-5](#). See the device-specific datasheet for the memory address of these registers.

Table 4-5. Video Display Control Registers

Offset Address ⁽¹⁾	Acronym	Register Name	Section
200h	VDSTAT	Video Display Status Register	Section 4.12.1
204h	VDCTL	Video Display Control Register	Section 4.12.2
208h	VDFRMSZ	Video Display Frame Size Register	Section 4.12.3
20Ch	VDHBLNK	Video Display Horizontal Blanking Register	Section 4.12.4
210h	VDVBLKS1	Video Display Field 1 Vertical Blanking Start Register	Section 4.12.5
214h	VDVBLKE1	Video Display Field 1 Vertical Blanking End Register	Section 4.12.6
218h	VDVBLKS2	Video Display Field 2 Vertical Blanking Start Register	Section 4.12.7
21Ch	VDVBLKE2	Video Display Field 2 Vertical Blanking End Register	Section 4.12.8
220h	VDIMGOFF1	Video Display Field 1 Image Offset Register	Section 4.12.9
224h	VDIMGSZ1	Video Display Field 1 Image Size Register	Section 4.12.10
228h	VDIMGOFF2	Video Display Field 2 Image Offset Register	Section 4.12.11
22Ch	VDIMGSZ2	Video Display Field 2 Image Size Register	Section 4.12.12
230h	VDFLDT1	Video Display Field 1 Timing Register	Section 4.12.13
234h	VDFLDT2	Video Display Field 2 Timing Register	Section 4.12.14
238h	VDTHRLD	Video Display Threshold Register	Section 4.12.15
23Ch	VDHSYNC	Video Display Horizontal Synchronization Register	Section 4.12.16
240h	VDVSYNS1	Video Display Field 1 Vertical Synchronization Start Register	Section 4.12.17
244h	VDVSYNE1	Video Display Field 1 Vertical Synchronization End Register	Section 4.12.18
248h	VDVSYNS2	Video Display Field 2 Vertical Synchronization Start Register	Section 4.12.19
24Ch	VDVSYNE2	Video Display Field 2 Vertical Synchronization End Register	Section 4.12.20
250h	VDRELOAD	Video Display Counter Reload Register	Section 4.12.21
254h	VDDISPEVT	Video Display Event Register	Section 4.12.22
258h	VDCLIP	Video Display Clipping Register	Section 4.12.23
25Ch	VDDEFVAL	Video Display Default Display Value Register	Section 4.12.24
260h	VDVINT	Video Display Vertical Interrupt Register	Section 4.12.25
264h	VDFBIT	Video Display Field Bit Register	Section 4.12.26
268h	VDVBIT1	Video Display Field 1 Vertical Blanking Bit Register	Section 4.12.27
26Ch	VDVBIT2	Video Display Field 2 Vertical Blanking Bit Register	Section 4.12.28

⁽¹⁾ The absolute address of the registers is device/port specific and is equal to the base address + offset address. See the device-specific datasheet to verify the register addresses.

4.12.1 Video Display Status Register (VDSTAT)

The video display status register (VDSTAT) indicates the current display status of the video port.

The VDXPOS and VDYPOS bits track the coordinates of the most-recently displayed pixel. The F1D, F2D, and FRMD bits indicate the completion of fields or frames and may need to be cleared by the DSP to prevent a DCNA interrupt from being generated, depending on the selected frame operation. The F1D, F2D, and FRMD bits are set when the final pixel from the appropriate field has been sent to the output pad.

The video display status register (VDSTAT) is shown in [Figure 4-31](#) and described in [Table 4-6](#).

Figure 4-31. Video Display Status Register (VDSTAT)

31	30	29	28	27	16
Reserved	FRMD	F2D	F1D	VDYPOS	
R-0	R/WC-0	R/WC-0	R/WC-0	R-0	
15	14	13	12	11	0
Reserved	VBLNK	VDFLD	VDXPOS		
R-0	R-0	R-0	R-0		

LEGEND: R/W = Read/Write; R = Read only; -n = value after reset

Table 4-6. Video Display Status Register (VDSTAT) Field Descriptions

Bit	field ⁽¹⁾	symval ⁽¹⁾	Value	Description
31	Reserved	-	0	Reserved. The reserved bit location is always read as 0. A value written to this field has no effect.
30	FRMD	OF(value) DEFAULT NONE DISPLAYED CLEAR	0 1	Frame displayed bit. Write 1 to clear the bit, a write of 0 has no effect. Complete frame has not been displayed. Complete frame has been displayed.
29	F2D	OF(value) DEFAULT NONE DISPLAYED CLEAR	0 1	Field 2 displayed bit. Write 1 to clear the bit, a write of 0 has no effect. Field 2 has not been displayed. Field 2 has been displayed.
28	F1D	OF(value) DEFAULT NONE DISPLAYED CLEAR	0 1	Field 1 displayed bit. Write 1 to clear the bit, a write of 0 has no effect. Field 1 has not been displayed. Field 1 has been displayed.
27-16	VDYPOS	OF(value) DEFAULT	0-FFFh 0	Current frame line counter (FLCOUNT) value. Index of the current line in the current field being displayed by the module.
15-14	Reserved	-	0	Reserved. The reserved bit location is always read as 0. A value written to this field has no effect.
13	VBLNK	OF(value) DEFAULT EMPTY NOTEMPTY	0 1	Vertical blanking bit. Video display is not in a vertical-blanking interval. Video display is in a vertical-blanking interval.
12	VDFLD	OF(value) DEFAULT FIELD1ACT FIELD2ACT	0 1	VDFLD bit indicates which field is currently being displayed. The VDFLD bit is updated at the start of the vertical blanking interval of the next field. Field 1 is active. Field 2 is active.
11-0	VDXPOS	OF(value) DEFAULT	0-FFFh 0	Current frame pixel counter (FPCOUNT) value. Index of the most recently output pixel.

⁽¹⁾ For CSL implementation, use the notation VD_VDSTAT_field_symval

4.12.2 Video Display Control Register (VDCTL)

For video display mode, field detect is enabled automatically when the VXS bit is set to 1 and the FXS bit is cleared to 0. Ensure that the FXS bit is not set to 1 because this causes the video port to expect a filed input on the pin.

The video display is controlled by the video display control register (VDCTL).

The video display control register (VDCTL) is shown in [Figure 4-32](#) and described in [Table 4-7](#).

Figure 4-32. Video Display Control Register (VDCTL)

31	30	29	28	27	24		
RSTCH	BLKDIS	Reserved	PVPSYN	Reserved			
R/W-0	R/W-1	R-0	R/W-0	R-0			
23	22	21	20	19	18	17	16
FXS	VXS	HXS	VCTL3S	VCTL2S		VCTL1S	
R/W-0	R/W-0	R/W-0	R/W-0	R/W-0		R/W-0	
15	14	13	12	11	10	9	8
VDEN	Reserved	RGBX	RSYNC	DVEN	RESMPL	Reserved	SCALE
R/W-0	R-0	R/W-0	R/W-0	R/W-0	R/W-0	R-0	R/W-0
7	6	5	4	3	2	0	
CON	FRAME	DF2	DF1	Reserved	DMODE		
R/W-0	R/W-0	R/W-0	R/W-0	R-0	R/W-0		

LEGEND: R/W = Read/Write; R = Read only; -n = value after reset

Table 4-7. Video Display Control Register (VDCTL) Field Descriptions

Bit	field ⁽¹⁾	symval ⁽¹⁾	Value	Description	
				BT.656 and Y/C Mode	Raw Data Mode
31	RSTCH	OF(value) DEFAULT NONE RESET	0 1	Reset channel bit. Write 1 to reset the bit, a write of 0 has no effect. 0 1 No effect.	Resets the video display module and sets its registers to their initial values. Also clears the VDEN bit. The video display module automatically clears RSTCH after software reset is completed.
30	BLKDIS	OF(value) CLEAR DEFAULT BLOCK	0 1	Block display events bit. BLKDIS functions as a display FIFO reset without affecting the current programmable register values. The video display module continues to function normally, the counters count, control outputs are generated, EAV/SAV codes are generated for BT.656 and Y/C modes, and default or blanking data is output during active display time. No data is moved to the display FIFOs because no events occur. The F1D, F2D, and FRMD bits in VDSTAT are still set when fields or frames are complete.	Clearing BLKDIS does not enable EDMA events during the field in which the bit is cleared. EDMA events are enabled at the start of the next frame after the one in which the bit is cleared. This allows the EDMA to always be synced to the proper field. Blocks EDMA events and flushes the display FIFOs.
29	Reserved	-	0	The reserved bit location is always read as 0. A value written to this field has no effect.	
28	PVPSYN	OF(value) DEFAULT DISABLE ENABLE	0 1	Previous video port synchronization enable bit. 0	Output timing is locked to preceding video port (VP2 is locked to VP1 or VP1 is locked to VP0, see Figure 4-7 .
27-24	Reserved	-	0	Reserved. The reserved bit location is always read as 0. A value written to this field has no effect.	

⁽¹⁾ For CSL implementation, use the notation VP_VDCTL_field_symval

Table 4-7. Video Display Control Register (VDCTL) Field Descriptions (continued)

Bit	field ⁽¹⁾	symval ⁽¹⁾	Value	Description	
				BT.656 and Y/C Mode	Raw Data Mode
23	FXS	OF(value) DEFAULT OUTPUT FSINPUT	0	Field external synchronization enable bit. VCTL3 is an output.	
			1	VCTL3 is an external field sync input.	
22	VXS	OF(value) DEFAULT OUTPUT VSINPUT	0	Vertical external synchronization enable bit. VCTL2 is an output.	
			1	VCTL2 is an external vertical sync input.	
21	HXS	OF(value) DEFAULT OUTPUT HSINPUT	0	Horizontal external synchronization enable bit. VCTL1 is an output.	
			1	VCTL1 is an external horizontal sync input.	
20	VCTL3S	OF(value) DEFAULT CBLNK FLD	0	VCTL3 output select bit. Output CBLNK	
			1	Output FLD	
19-18	VCTL2S	OF(value) DEFAULT VYSYNC VBLNK CSYNC FLD	0-3h	VCTL2 output select bit.	
			0	Output VSYNC	
			1h	Output VBLNK	
			2h	Output CSYNC	
17-16	VCTL1S	OF(value) DEFAULT HYSYNC HBLNK AVID FLD	0-3h	VCTL1 output select bit.	
			0	Output HSYNC	
			1h	Output HBLNK	
			2h	Output AVID	
15	VDEN	OF(value) DEFAULT DISABLE ENABLE	0	Video display enable bit. Other bits in VDCTL (except RSTCH and BLKDIS bits) may only be changed when VDEN = 0. Video display is disabled.	
			1	Video display is enabled.	
			0	Reserved. The reserved bit location is always read as 0. A value written to this field has no effect.	
14	Reserved	-	0	Reserved. The reserved bit location is always read as 0. A value written to this field has no effect.	
			1	Reserved. The reserved bit location is always read as 0. A value written to this field has no effect.	
13	RGBX	OF(value) DEFAULT DISABLE ENABLE	0	RGB extract enable bit. Not used.	
			1	Not used.	Perform FIFO unpacking.
12	RSYNC	OF(value) DEFAULT DISABLE ENABLE	0	Second, synchronized raw data channel enable bit. Not used.	
			1	Not used.	Second, synchronized raw data channel is enabled.

Table 4-7. Video Display Control Register (VDCTL) Field Descriptions (continued)

Bit	field ⁽¹⁾	symval ⁽¹⁾	Value	Description	
				BT.656 and Y/C Mode	Raw Data Mode
11	DVEN	OF(value) DEFAULT	0	Default value enable bit.	
		BLANKING DV	1	Blanking value is output during non-sourced active pixels.	Not used.
10	RESMPL	OF(value) DEFAULT	0	Chroma re-sampling enable bit.	
		DISABLE ENABLE	1	Chroma re-sampling is disabled. Chroma is horizontally re-sampled from 4:2:0 interspersed to 4:2:2 co-sited before output.	Not used.
9	Reserved	-	0	Reserved. The reserved bit location is always read as 0. A value written to this field has no effect.	
8	SCALE	OF(value) DEFAULT	0	Scaling select bit.	
		NONE X2	1	No scaling. 2 × scaling.	Not used.
7	CON ⁽²⁾	OF(value) DEFAULT	0	Continuous display enable bit. Continuous display is disabled.	
		DISABLE ENABLE	1	Continuous display is enabled.	
6	FRAME ⁽²⁾	OF(value) DEFAULT	0	Display frame bit. Do not display frame.	
		NONE FRMDIS	1	Display frame.	
5	DF2 ⁽²⁾	OF(value) DEFAULT	0	Display field 2 bit. Do not display field 2.	
		NONE FLDDIS	1	Display field 2.	
4	DF1 ⁽²⁾	OF(value) DEFAULT	0	Display field 1 bit. Do not display field 1.	
		NONE FLDDIS	1	Display field 1.	
3	Reserved	-	0	Reserved. The reserved bit location is always read as 0. A value written to this field has no effect.	
2-0	DMODE	OF(value) DEFAULT	0-7h	Display mode select bit.	
		BT656B	0	Enables 8-bit BT.656 mode.	
		RAWB	2h	Enables 8-bit raw data mode.	
		YC16	4h	Enables 8-bit Y/C mode.	
		RAW16	6h	Enables 16-bit raw data mode.	

⁽²⁾ For complete encoding of these bits, see [Table 4-4](#).

4.12.3 Video Display Frame Size Register (VDFRMSZ)

The video display frame size register (VDFRMSZ) sets the display channel frame size by setting the ending values for the frame line counter (FLCOUNTER) and the frame pixel counter (FPCOUNTER).

The FPCOUNTER starts at 0 and counts to FRMWIDTH - 1 before restarting. The FLCOUNTER starts at 1 and counts to FRMHEIGHT before restarting.

The video display frame size register (VDFRMSZ) is shown in [Figure 4-33](#) and described in [Table 4-8](#).

Figure 4-33. Video Display Frame Size Register (VDFRMSZ)

31	28	27	16
Reserved		FRMHEIGHT	
R-0		R/W-0	
15	12	11	0
Reserved		FRMWIDTH	
R-0		R/W-0	

LEGEND: R/W = Read/Write; R = Read only; -n = value after reset

Table 4-8. Video Display Frame Size Register (VDFRMSZ) Field Descriptions

Bit	field ⁽¹⁾	symval ⁽¹⁾	Value	Description
31-28	Reserved	-	0	Reserved. The reserved bit location is always read as 0. A value written to this field has no effect.
27-16	FRMHEIGHT	OF(value) DEFAULT	0-FFFh 0	Defines the total number of lines per frame. The number is the ending value of the frame line counter (FLCOUNTER). For BT.656 operation, the FRMHEIGHT is set to 525 (525/60 operation) or 625 (625/50 operation).
15-12	Reserved	-	0	Reserved. The reserved bit location is always read as 0. A value written to this field has no effect.
11-0	FRMWIDTH	OF(value) DEFAULT	0-FFFh 0	Defines the total number of pixels per line including blanking. The number is the frame pixel counter (FPCOUNTER) ending value + 1. For BT.656 operation, the FRMWIDTH is typically 858 or 864.

⁽¹⁾ For CSL implementation, use the notation VP_VDFRMSZ_field_symval

4.12.4 Video Display Horizontal Blanking Register (VDHBLNK)

The video display horizontal blanking register (VDHBLNK) controls the display horizontal blanking.

Every time the frame pixel counter (FPCOUNTER) is equal to HBLNKSTART, HBLNK is asserted. HBLNKSTART also determines where the EAV code is inserted in the BT.656 and Y/C output.

Every time FPCOUNTER = HBLNKSTOP, the HBLNK signal is de-asserted (this is shown in [Figure 4-5](#)). In BT.656 and Y/C modes, HBLNKSTOP determines the SAV code insertion point and HBLNK de-assertion point. The HBLNK inactive edge may optionally be delayed by 4 pixel clocks using the HBDLA bit.

The video display horizontal blanking register (VDHBLNK) is shown in [Figure 4-34](#) and described in [Table 4-9](#)

Figure 4-34. Video Display Horizontal Blanking Register (VDHBLNK)

31	28	27	16
Reserved		HBLNKSTOP	
R-0		R/W-0	
15	14	12	11
HBDLA	Reserved		HBLNKSTART
R/W-0	R-0		R/W-0

LEGEND: R/W = Read/Write; R = Read only; -n = value after reset

Table 4-9. Video Display Horizontal Blanking Register (VDHBLNK) Field Descriptions

Bit	field ⁽¹⁾	symval ⁽¹⁾	Value	Description	
				BT.656 and Y/C Mode	Raw Data Mode
31-28	Reserved	-	0	Reserved. The reserved bit location is always read as 0. A value written to this field has no effect.	
27-16	HBLNKSTOP	OF(value)	0-FFFh	Location of SAV code and HBLNK inactive edge within the line. HBLNK inactive edge may be optionally delayed by 4 VCLKs.	Ending pixel (FPCOUNT) of blanking video area (HBLNK inactive) within the line.
		DEFAULT	0		
15	HBDLA	OF(value)		Horizontal blanking delay enable bit.	
		DEFAULT	0	Horizontal blanking delay is disabled.	Not used.
		NONE			
		DELAY	1	HBLNK inactive edge is delayed by 4 VCLKs.	Not used.
14-12	Reserved	-	0	Reserved. The reserved bit location is always read as 0. A value written to this field has no effect.	
11-0	HBLNKSTART	OF(value)	0-FFFh	Location of EAV code and HBLNK active edge within the line.	Starting pixel (FPCOUNT) of blanking video area (HBLNK active) within the line.
		DEFAULT	0		

⁽¹⁾ For CSL implementation, use the notation VP_VDHBLNK_field_symval

4.12.5 Video Display Field 1 Vertical Blanking Start Register (VDVBLKS1)

In raw data mode, VBLNK is asserted whenever the frame line counter (FLCOUNT) is equal to VBLNKYSTART1 and the frame pixel counter (FPCOUNT) is equal to VBLNKXSTART1 (this is shown in [Figure 4-6](#)).

In BT.656 and Y/C mode, VBLNK is asserted whenever FLCOUNT = VBLNKYSTART1 and FPCOUNT = VBLNKXSTART1. This VBLNK output control is completely independent of the timing control codes. The V bit in the EAV/SAV codes for field 1 is controlled by the VDVBIT1 register.

The video display field 1 vertical blanking start register (VDVBLKS1) controls the start of vertical blanking in field 1.

The video display field 1 vertical blanking start register (VDVBLKS1) is shown in [Figure 4-35](#) and described in [Table 4-10](#).

Figure 4-35. Video Display Field 1 Vertical Blanking Start Register (VDVBLKS1)

31	28	27	16
Reserved		VBLNKYSTART1	
R-0		R/W-0	
15	12	11	0
Reserved		VBLNKXSTART1	
R-0		R/W-0	

LEGEND: R/W = Read/Write; R = Read only; -n = value after reset

Table 4-10. Video Display Field 1 Vertical Blanking Start Register (VDVBLKS1) Field Descriptions

Bit	field ⁽¹⁾	symval ⁽¹⁾	Value	Description	
				BT.656 and Y/C Mode	Raw Data Mode
31-28	Reserved	-	0	Reserved. The reserved bit location is always read as 0. A value written to this field has no effect.	
27-16	VBLNKYSTART1	OF(value)	0-FFFh	Specifies the line (in FLCOUNT) where VBLNK active edge occurs for field 1. Does not affect EAV/SAV V bit operation.	Specifies the line (in FLCOUNT) where vertical blanking begins (VBLNK active edge) for field 1.
		DEFAULT	0		
15-12	Reserved	-	0	Reserved. The reserved bit location is always read as 0. A value written to this field has no effect.	
11-0	VBLNKXSTART1	OF(value)	0-FFFh	Specifies the pixel (in FPCOUNT) where VBLNK active edge occurs for field 1.	Specifies the pixel (in FPCOUNT) where vertical blanking begins (VBLNK active edge) for field 1.
		DEFAULT	0		

⁽¹⁾ For CSL implementation, use the notation VP_VDVBLKS1_field_symval

4.12.6 Video Display Field 1 Vertical Blanking End Register (VDVBLKE1)

In raw data mode, VBLNK is de-asserted whenever the frame line counter (FLCOUNT) is equal to VBLNKYSTOP1 and the frame pixel counter (FPCOUNT) is equal to VBLNKXSTOP1 (this is shown in [Figure 4-6](#)).

In BT.656 and Y/C mode, VBLNK is de-asserted whenever FLCOUNT = VBLNKYSTOP1 and FPCOUNT = VBLNKXSTOP1. This VBLNK output control is completely independent of the timing control codes. The V bit in the EAV/SAV codes for field 1 is controlled by the VDVBIT1 register.

The video display field 1 vertical blanking end register (VDVBLKE1) controls the end of vertical blanking in field 1.

The video display field 1 vertical blanking end register (VDVBLKE1) is shown in [Figure 4-36](#) and described in [Table 4-11](#).

Figure 4-36. Video Display Field 1 Vertical Blanking End Register (VDVBLKE1)

31	28	27	16
Reserved		VBLNKYSTOP1	
R-0		R/W-0	
15	12	11	0
Reserved		VBLNKXSTOP1	
R-0		R/W-0	

LEGEND: R/W = Read/Write; R = Read only; -n = value after reset

Table 4-11. Video Display Field 1 Vertical Blanking End Register (VDVBLKE1) Field Descriptions

Bit	field ⁽¹⁾	symval ⁽¹⁾	Value	Description	
				BT.656 and Y/C Mode	Raw Data Mode
31-28	Reserved	-	0	Reserved. The reserved bit location is always read as 0. A value written to this field has no effect.	
27-16	VBLNKYSTOP1	OF(value)	0-FFFh	Specifies the line (in FLCOUNT) where VBLNK inactive edge occurs for field 1. Does not affect EAV/SAV V bit operation.	Specifies the line (in FLCOUNT) where vertical blanking ends (VBLNK inactive edge) for field 1.
		DEFAULT	0		
15-12	Reserved	-	0	Reserved. The reserved bit location is always read as 0. A value written to this field has no effect.	
11-0	VBLNKXSTOP1	OF(value)	0-FFFh	Specifies the pixel (in FPCOUNT) where VBLNK inactive edge occurs for field 1.	Specifies the pixel (in FPCOUNT) where vertical blanking ends (VBLNK inactive edge) for field 1.
		DEFAULT	0		

⁽¹⁾ For CSL implementation, use the notation VP_VDVBLKE1_field_symval

4.12.7 Video Display Field 2 Vertical Blanking Start Register (VDVBLKS2)

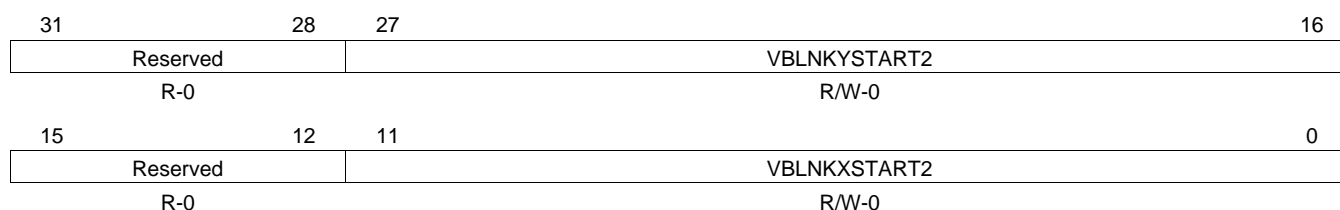
The video display field 2 vertical blanking start register (VDVBLKS2) controls the start of vertical blanking in field 2.

In raw data mode, VBLNK is asserted whenever the frame line counter (FLCOUNT) is equal to VBLNKYSTART2 and the frame pixel counter (FPCOUNT) is equal to VBLNKXSTART2 (this is shown in [Figure 4-6](#)).

In BT.656 and Y/C mode, VBLNK is asserted whenever FLCOUNT = VBLNKYSTART2 and FPCOUNT = VBLNKXSTART2. This VBLNK output control is completely independent of the timing control codes. The V bit in the EAV/SAV codes for field 2 is controlled by the VDVBIT2 register.

The video display field 2 vertical blanking start register (VDVBLKS2) is shown in [Figure 4-37](#) and described in [Table 4-12](#).

Figure 4-37. Video Display Field 2 Vertical Blanking Start Register (VDVBLKS2)



LEGEND: R/W = Read/Write; R = Read only; -n = value after reset

Table 4-12. Video Display Field 2 Vertical Blanking Start Register (VDVBLKS2) Field Descriptions

Bit	field ⁽¹⁾	symval ⁽¹⁾	Value	Description	
				BT.656 and Y/C Mode	Raw Data Mode
31-28	Reserved	-	0	Reserved. The reserved bit location is always read as 0. A value written to this field has no effect.	
27-16	VBLNKYSTART2	OF(value)	0-FFFh	Specifies the line (in FLCOUNT) where VBLNK active edge occurs for field 2. Does not affect EAV/SAV V bit operation.	Specifies the line (in FLCOUNT) where vertical blanking begins (VBLNK active edge) for field 2.
		DEFAULT	0		
15-12	Reserved	-	0	Reserved. The reserved bit location is always read as 0. A value written to this field has no effect.	

⁽¹⁾ For CSL implementation, use the notation VP_VDVBLKS2_field_symval

Table 4-12. Video Display Field 2 Vertical Blanking Start Register (VDVBLKS2) Field Descriptions (continued)

Bit	field ⁽¹⁾	symval ⁽¹⁾	Value	Description	
				BT.656 and Y/C Mode	Raw Data Mode
11-0	VBLNKXSTART2	OF(value) DEFAULT	0-FFFh 0	Specifies the pixel (in FPCOUNT) where VBLNK active edge occurs for field 2.	Specifies the pixel (in FPCOUNT) where vertical blanking begins (VBLNK active edge) for field 2.

4.12.8 Video Display Field 2 Vertical Blanking End Register (VDVBLKE2)

The video display field 2 vertical blanking end register (VDVBLKE2) controls the end of vertical blanking in field 2.

In raw data mode, VBLNK is de-asserted whenever the frame line counter (FLCOUNT) is equal to VBLNKYSTOP2 and the frame pixel counter (FPCOUNT) is equal to VBLNKXSTOP2 (this is shown in [Figure 4-6](#)).

In BT.656 and Y/C mode, VBLNK is de-asserted whenever FLCOUNT = VBLNKYSTOP2 and FPCOUNT = VBLNKXSTOP2. This VBLNK output control is completely independent of the timing control codes. The V bit in the EAV/SAV codes for field 2 is controlled by the VDBIT2 register.

The video display field 2 vertical blanking end register (VDVBLKE2) is shown in [Figure 4-38](#) and described in [Table 4-13](#).

Figure 4-38. Video Display Field 2 Vertical Blanking End Register (VDVBLKE2)

31	28	27	16
Reserved			VBLNKYSTOP2
R-0			R/W-0
15	12	11	0
Reserved			VBLNKXSTOP2
R-0			R/W-0

LEGEND: R/W = Read/Write; R = Read only; -n = value after reset

Table 4-13. Video Display Field 2 Vertical Blanking End Register (VDVBLKE2) Field Descriptions

Bit	field ⁽¹⁾	symval ⁽¹⁾	Value	Description	
				BT.656 and Y/C Mode	Raw Data Mode
31-28	Reserved	-	0	Reserved. The reserved bit location is always read as 0. A value written to this field has no effect.	
27-16	VBLNKYSTOP2	OF(value) DEFAULT	0-FFFh 0	Specifies the line (in FLCOUNT) where VBLNK inactive edge occurs for field 2. Does not affect EAV/SAV V bit operation.	Specifies the line (in FLCOUNT) where vertical blanking ends (VBLNK inactive edge) for field 2.
15-12	Reserved	-	0	Reserved. The reserved bit location is always read as 0. A value written to this field has no effect.	
11-0	VBLNKXSTOP2	OF(value) DEFAULT	0-FFFh 0	Specifies the pixel (in FPCOUNT) where VBLNK inactive edge occurs for field 2.	Specifies the pixel (in FPCOUNT) where vertical blanking ends (VBLNK inactive edge) for field 2.

⁽¹⁾ For CSL implementation, use the notation VP_VDVBLKE2_field_symval

4.12.9 Video Display Field 1 Image Offset Register (VDIMGOFF1)

The video display field 1 image offset register (VDIMGOFF1) defines the field 1 image offset and specifies the starting location of the displayed image relative to the start of the active display.

The image line counter (ILCOUNT) is reset to 1 on the first image line (when FLCOUNT = VBLNKYSTOP1 + IMGVOFF1). If the NV bit is set, ILCOUNT is reset to 1 when FLCOUNT = VBLNKYSTOP1 - IMGVOFF1. Display image pixels are output in field 1 beginning on the line where ILCOUNT = 1. The default output values or blanking values are output during active lines prior to ILCOUNT = 1. For a negative offset, IMGVOFF1 must not be greater than VBLNKYSTOP1. The field 1 active image must not overlap the field 2 active image.

The image pixel counter (IPCOUNT) is reset to 0 at the start of an active line image. Once ILCOUNT = 1, image pixels from the FIFO are output on each line in field 1 beginning when FPCOUNT = IMGHOFF1. If the NH bit is set, IPCOUNT is reset when FPCOUNT = FRMWIDTH - IMGHOFF1. The default output values or blanking values are output during active pixels prior to IMGHOFF1.

The video display field 1 image offset register (VDIMGOFF1) is shown in [Figure 4-39](#) and described in [Table 4-14](#).

Figure 4-39. Video Display Field 1 Image Offset Register (VDIMGOFF1)

31	30	28	27	16
NV	Reserved		IMGVOFF1	
R/W-0	R-0		R/W-0	
15	14	12	11	0
NH	Reserved		IMGHOFF1	
R/W-0	R-0		R/W-0	

LEGEND: R/W = Read/Write; R = Read only; -n = value after reset

Table 4-14. Video Display Field 1 Image Offset Register (VDIMGOFF1) Field Descriptions

Bit	field ⁽¹⁾	symval ⁽¹⁾	Value	Description	
				BT.656 and Y/C Mode	Raw Data Mode
31	NV	OF(value) DEFAULT NONE NEGOFF	0 1	Negative vertical image offset enable bit.	Not used.
				Display image window begins before the first active line of field 1. (Used for VBI data output.)	Not used.
30-28	Reserved	-	0	Reserved. The reserved bit location is always read as 0. A value written to this field has no effect.	
27-16	IMGVOFF1	OF(value) DEFAULT	0-FFFh 0	Specifies the display image vertical offset in lines from the first active line of field 1.	
15	NH	OF(value) DEFAULT NONE NEGOFF	0 1	Negative horizontal image offset.	Not used.
				Display image window begins before the start of active video. (Used for HANC data output.)	Not used.
14-12	Reserved	-	0	Reserved. The reserved bit location is always read as 0. A value written to this field has no effect.	

⁽¹⁾ For CSL implementation, use the notation VP_VDIMGOFF1_field_symval.

Table 4-14. Video Display Field 1 Image Offset Register (VDIMGOFF1) Field Descriptions (continued)

Bit	field ⁽¹⁾	symval ⁽¹⁾	Value	Description	
				BT.656 and Y/C Mode	Raw Data Mode
11-0	IMGHOFF1	OF(value) DEFAULT	0-FFFh 0	Specifies the display image horizontal offset in pixels from the start of each line of active video in field 1. This must be an even number (the LSB is treated as 0).	Specifies the display image horizontal offset in pixels from the start of each line of active video in field 1.

4.12.10 Video Display Field 1 Image Size Register (VDIMGSZ1)

The video display field 1 image size register (VDIMGSZ1) defines the field 1 image area and specifies the size of the displayed image within the active display.

The image pixel counter (IPCOUNT) counts displayed image pixel output on each of the displayed image. Displayed image pixel output stops when IPCOUNT = IMGHSIZE1. The default output values or blanking values are output for the remainder of the active line.

The image line counter (ILCOUNT) counts displayed image lines. Displayed image output stops when ILCOUNT = IMGVSIZE1. The default output values or blanking values are output for the remainder of the active field.

The video display field 1 image size register (VDIMGSZ1) is shown in [Figure 4-40](#) and described in [Table 4-15](#).

Figure 4-40. Video Display Field 1 Image Size Register (VDIMGSZ1)

31	28	27	16
Reserved			IMGVSIZE1
R-0			R/W-0
15	12	11	0
Reserved			IMGHSIZE1
R-0			R/W-0

LEGEND: R/W = Read/Write; R = Read only; -n = value after reset

Table 4-15. Video Display Field 1 Image Size Register (VDIMGSZ1) Field Descriptions

Bit	field ⁽¹⁾	symval ⁽¹⁾	Value	Description	
				BT.656 and Y/C Mode	Raw Data Mode
31-28	Reserved	-	0	Reserved. The reserved bit location is always read as 0. A value written to this field has no effect.	
27-16	IMGVSIZE1	OF(value) DEFAULT	0-FFFh 0	Specifies the display image height in lines.	
15-12	Reserved	-	0	Reserved. The reserved bit location is always read as 0. A value written to this field has no effect.	
11-0	IMGHSIZE1	OF(value) DEFAULT	0-FFFh 0	Specifies the display image width in pixels. This number must be even (the LSB is treated as 0).	Specifies the display image width in pixels.

⁽¹⁾ For CSL implementation, use the notation VP_VDIMGSZ1_field_symval

4.12.11 Video Display Field 2 Image Offset Register (VDIMGOFF2)

The video display field 2 image offset register (VDIMGOFF2) defines the field 2 image offset and specifies the starting location of the displayed image relative to the start of the active display.

The image line counter (ILCOUNT) is reset to 1 on the first image line (when FLCOUNT = VBLNKYSTOP2 + IMGVOFF2). If the NV bit is set, ILCOUNT is reset to 1 when FLCOUNT = VBLNKYSTOP2 - IMGVOFF2. Display image pixels are output in field 2 beginning on the line where ILCOUNT = 1. The default output values or blanking values are output during active lines prior to ILCOUNT = 1. For a negative offset, IMGVOFF2 must not be greater than VBLNKYSTOP2. The field 2 active image must not overlap the field 2 active image.

The image pixel counter (IPCOUNT) is reset to 0 at the start of an active line image. Once ILCOUNT = 1, image pixels from the FIFO are output on each line in field 2 beginning when FPCOUNT = IMGHOFF2. If the NH bit is set, IPCOUNT is reset when FPCOUNT = FRMWIDTH - IMGHOFF2. The default output values or blanking values are output during active pixels prior to IMGHOFF2.

The video display field 2 image offset register (VDIMGOFF2) is shown in [Figure 4-41](#) and described in [Table 4-16](#).

Figure 4-41. Video Display Field 2 Image Offset Register (VDIMGOFF2)

31	30	28	27	16
NV	Reserved		IMGVOFF2	
R/W-0	R-0		R/W-0	
15	14	12	11	0
NH	Reserved		IMGHOFF2	
R/W-0	R-0		R/W-0	

LEGEND: R/W = Read/Write; R = Read only; -n = value after reset

Table 4-16. Video Display Field 2 Image Offset Register (VDIMGOFF2) Field Descriptions

Bit	field ⁽¹⁾	symval ⁽¹⁾	Value	Description	
				BT.656 and Y/C Mode	Raw Data Mode
31	NV	OF(value) DEFAULT NONE NEGOFF	0	Negative vertical image offset enable bit.	
			1	Display image window begins before the first active line of field 2. (Used for VBI data output.)	Not used.
30-28	Reserved	-	0	Reserved. The reserved bit location is always read as 0. A value written to this field has no effect.	
27-16	IMGVOFF2	OF(value) DEFAULT	0-FFFh 0	Specifies the display image vertical offset in lines from the first active line of field 2.	
15	NH	OF(value) DEFAULT NONE NEGOFF	0	Negative horizontal image offset.	
			1	Display image window begins before the start of active video. (Used for HANC data output.)	Not used.
14-12	Reserved	-	0	Reserved. The reserved bit location is always read as 0. A value written to this field has no effect.	
11-0	IMGHOFF2	OF(value) DEFAULT	0-FFFh 0	Specifies the display image horizontal offset in pixels from the start of each line of active video in field 2. This must be an even number (the LSB is treated as 0).	Specifies the display image horizontal offset in pixels from the start of each line of active video in field 2.

⁽¹⁾ For CSL implementation, use the notation VP_VDIMGOFF2_field_symval

4.12.12 Video Display Field 2 Image Size Register (VDIMGSZ2)

The video display field 2 image size register (VDIMGSZ2) defines the field 2 image area and specifies the size of the displayed image within the active display.

The image pixel counter (IPCOUNT) counts displayed image pixel output on each of the displayed image. Displayed image pixel output stops when IPCOUNT = IMGHSIZE2. The default output values or blanking values are output for the remainder of the active line.

The image line counter (ILCOUNT) counts displayed image lines. Displayed image output stops when ILCOUNT = IMGVSIZE2. The default output values or blanking values are output for the remainder of the active field.

The video display field 2 image size register (VDIMGSZ2) is shown in [Figure 4-42](#) and described in [Table 4-17](#)

Figure 4-42. Video Display Field 2 Image Size Register (VDIMGSZ2)

31	28	27	16
Reserved		IMGVSIZE2	
R-0		R/W-0	
15	12	11	0
Reserved		IMGHSIZE2	
R-0		R/W-0	

LEGEND: R/W = Read/Write; R = Read only; -n = value after reset

Table 4-17. Video Display Field 2 Image Size Register (VDIMGSZ2) Field Descriptions

Bit	field ⁽¹⁾	symval ⁽¹⁾	Value	Description	
				BT.656 and Y/C Mode	Raw Data Mode
31-28	Reserved	-	0	Reserved. The reserved bit location is always read as 0. A value written to this field has no effect.	
27-16	IMGVSIZE2	OF(value) DEFAULT	0-FFFh 0	Specifies the display image height in lines.	
15-12	Reserved	-	0	Reserved. The reserved bit location is always read as 0. A value written to this field has no effect.	
11-0	IMGHSIZE2	OF(value) DEFAULT	0-FFFh 0	Specifies the display image width in pixels. This number must be even (the LSB is treated as 0).	Specifies the display image width in pixels.

⁽¹⁾ For CSL implementation, use the notation VP_VDIMGSZ2_field_symval

4.12.13 Video Display Field 1 Timing Register (VDFLDT1)

In raw data mode, the FLD signal is de-asserted to indicate field 1 display whenever the frame line counter (FLCOUNT) is equal to FLD1YSTART and the frame pixel counter (FPCOUNT) is equal to FLD1XSTART (this is shown in [Figure 4-6](#)).

In BT.656 and Y/C mode, the FLD signal is de-asserted to indicate field 1 display whenever FLCOUNT = FLD1YSTART and FPCOUNT = FLD1XSTART. The FLD output is completely independent of the timing control codes. The F bit in the EAV/SAV codes is controlled by the VDFBIT register.

The video display field 1 timing register (VDFLDT1) sets the timing of the field identification signal. The VDFLDT1 is shown in [Figure 4-43](#) and described in [Table 4-18](#).

Figure 4-43. Video Display Field 1 Timing Register (VDFLDT1)

31	28	27	16
Reserved		FLD1YSTART	
R-0		R/W-0	
15	12	11	0
Reserved		FLD1XSTART	
R-0		R/W-0	

LEGEND: R/W = Read/Write; R = Read only; -n = value after reset

Table 4-18. Video Display Field 1 Timing Register (VDFLDT1) Field Descriptions

Bit	field ⁽¹⁾	symval ⁽¹⁾	Value	Description
31-28	Reserved	-	0	Reserved. The reserved bit location is always read as 0. A value written to this field has no effect.
27-16	FLD1YSTART	OF(value) DEFAULT	0-FFFh 0	Specifies the first line of field 1. (The line where FLD is asserted.)
15-12	Reserved	-	0	Reserved. The reserved bit location is always read as 0. A value written to this field has no effect.
11-0	FLD1XSTART	OF(value) DEFAULT	0-FFFh 0	Specifies the pixel on the first line of field 1 where the FLD output is asserted.

⁽¹⁾ For CSL implementation, use the notation VP_VDFLDT1_field_symval

4.12.14 Video Display Field 2 Timing Register (VDFLDT2)

The video display field 2 timing register (VDFLDT2) sets the timing of the field identification signal.

In raw data mode, the FLD signal is asserted whenever the frame line counter (FLCOUNTER) is equal to FLD2YSTART and the frame pixel counter (FPCOUNTER) is equal to FLD2XSTART (this is shown in [Figure 4-6](#)).

In BT.656 and Y/C mode, the FLD signal is asserted to indicate field 2 display whenever FLCOUNTER = FLD2YSTART and FPCOUNTER = FLD2XSTART. The FLD output is completely independent of the timing control codes. The F bit in the EAV/SAV codes is controlled by the VDFBIT register.

The video display field 2 timing register (VDFLDT2) is shown in [Figure 4-44](#) and described in [Table 4-19](#).

Figure 4-44. Video Display Field 2 Timing Register (VDFLDT2)

31	28	27	16
Reserved		FLD2YSTART	
R-0		R/W-0	
15	12	11	0
Reserved		FLD2XSTART	
R-0		R/W-0	

LEGEND: R/W = Read/Write; R = Read only; -n = value after reset

Table 4-19. Video Display Field 2 Timing Register (VDFLDT2) Field Descriptions

Bit	field ⁽¹⁾	symval ⁽¹⁾	Value	Description
31-28	Reserved	-	0	Reserved. The reserved bit location is always read as 0. A value written to this field has no effect.
27-16	FLD2YSTART	OF(value) DEFAULT	0-FFFh 0	Specifies the first line of field 2. (The line where FLD is asserted.)
15-12	Reserved	-	0	Reserved. The reserved bit location is always read as 0. A value written to this field has no effect.

⁽¹⁾ For CSL implementation, use the notation VP_VDFLDT2_field_symval

Table 4-19. Video Display Field 2 Timing Register (VDFLDT2) Field Descriptions (continued)

Bit	field ⁽¹⁾	symval ⁽¹⁾	Value	Description
11-0	FLD2XSTART	OF(value) DEFAULT	0-FFFh 0	Specifies the pixel on the first line of field 2 where the FLD output is asserted.

4.12.15 Video Display Threshold Register (VDTHRLD)

The video display threshold register (VDTHRLD) sets the display FIFO threshold to determine when to load more display data.

The VDTHRLD_n bits determines how much space must be available in the display FIFOs before the appropriate EDMA event may be generated. The Y FIFO uses the VDTHRLD_n value directly while the Cb and Cr values use ½ the VDTHRLD_n value rounded up to the next double word (½ (VDTHRLD_n + VDTHRLD_n mod 2)). The EDMA transfer size must be less than the value used for each FIFO. Typically, VDTHRLD_n is set to the horizontal line length rounded up to the next double word boundary. For non-line length thresholds, the display data unpacking mechanism places certain restrictions of what VDTHRLD_n values are valid (see Section 2.3.3).

The VDTHRLD2 bits behaves identically to VDTHRLD1, but are used during field 2 capture. It is used only if the field 2 EDMA size needs to be different from the field 1 EDMA size for some reason (for example, different display line lengths in field 1 and field 2).

In raw display mode, the INCPPIX bits determine when the frame pixel counter (FPCOUNT) is incremented. If, for example, each output value represents the R, G, or B portion of a display pixel, then the INCPPIX bits are set to 3h so that the pixel counter is incremented only on every third output clock. An INCPPIX value of 0h represents a count of 16 rather than 0.

The video display threshold register (VDTHRLD) is shown in Figure 4-45 and described in Table 4-20.

Figure 4-45. Video Display Threshold Register (VDTHRLD)

31	Reserved				26	25	VDTHRLD2				16
	R-0						R/W-0				
15	INCPPIX		12	11	10	9	VDTHRLD1				0
	R/W-0001			Reserved			R/W-0				

LEGEND: R/W = Read/Write; R = Read only; -n = value after reset

Table 4-20. Video Display Threshold Register (VDTHRLD) Field Descriptions

Bit	field ⁽¹⁾	symval ⁽¹⁾	Value	Description	
				BT.656 and Y/C Mode	Raw Data Mode
31-26	Reserved	-	0	Reserved. The reserved bit location is always read as 0. A value written to this field has no effect.	
25-16	VDTHRLD2	OF(value) DEFAULT	0-3FFh 0	Field 2 threshold. Whenever there are at least VDTHRLD2 double words of space in the Y display FIFO, a new Y EDMA event may be generated. Whenever there are at least ½ VDTHRLD2 double words of space in the Cb or Cr display FIFO, a new Cb or Cr EDMA event may be generated.	Field 2 threshold. Whenever there are at least VDTHRLD2 double words of space in the display FIFO, a new Y EDMA event may be generated.
15-12	INCPPIX	OF(value) DEFAULT	0-Fh 1	Not used.	FPCOUNT is incremented every INCPPIX output clocks.

⁽¹⁾ For CSL implementation, use the notation VP_VDTHRLD_field_symval

Table 4-20. Video Display Threshold Register (VDTHRLD) Field Descriptions (continued)

Bit	field ⁽¹⁾	symval ⁽¹⁾	Value	Description	
				BT.656 and Y/C Mode	Raw Data Mode
11-10	Reserved	-	0	Reserved. The reserved bit location is always read as 0. A value written to this field has no effect.	
9-0	VDTHRLD1	OF(value)	0-3FFh	Field 1 threshold. Whenever there are at least VDTHRLD double words of space in the Y display FIFO, a new Y EDMA event may be generated. Whenever there are at least ½ VDTHRLD double words of space in the Cb or Cr display FIFO, a new Cb or Cr EDMA event may be generated.	Field 1 threshold. Whenever there are at least VDTHRLD double words of space in the display FIFO, a new Y EDMA event may be generated.
		DEFAULT	0		

4.12.16 Video Display Horizontal Synchronization Register (VDHSYNC)

The video display horizontal synchronization register (VDHSYNC) controls the timing of the horizontal synchronization signal.

Generation of the horizontal synchronization is shown in [Figure 4-5](#). The HSYNC signal is asserted to indicate the start of the horizontal sync pulse whenever the frame pixel counter (FPCOUNT) is equal to HSYNCSTART. The HSYNC signal is de-asserted to indicate the end of the horizontal sync pulse whenever FPCOUNT = HSYNCSTOP.

Figure 4-46. Video Display Horizontal Synchronization Register (VDHSYNC)

31	28	27	16
Reserved	HSYNCSTOP		
R-0	R/W-0		
15	12	11	0
Reserved	HSYNCSTART		
R-0	R/W-0		

LEGEND: R/W = Read/Write; R = Read only; -n = value after reset

Table 4-21. Video Display Horizontal Synchronization Register (VDHSYNC) Field Descriptions

Bit	field ⁽¹⁾	symval ⁽¹⁾	Value	Description
31-28	Reserved	-	0	Reserved. The reserved bit location is always read as 0. A value written to this field has no effect.
27-16	HSYNCSTOP	OF(value)	0-FFFh	Specifies the pixel where HSYNC is de-asserted.
		DEFAULT	0	
15-12	Reserved	-	0	Reserved. The reserved bit location is always read as 0. A value written to this field has no effect.
11-0	HSYNCSTART	OF(value)	0-FFFh	Specifies the pixel where HSYNC is asserted.
		DEFAULT	0	

⁽¹⁾ For CSL implementation, use the notation VP_VDHSYNC_field_symval

4.12.17 Video Display Field 1 Vertical Synchronization Start Register (VDVSYNS1)

The video display field 1 vertical synchronization start register (VDVSYNS1) controls the start of vertical synchronization in field 1.

Generation of the vertical synchronization is shown in [Figure 4-6](#). The VSYNC signal is asserted whenever the frame line counter (FLCOUNTER) is equal to VSYNCYSTART1 and the frame pixel counter (FPCOUNT) is equal to VSYNCXSTART1.

The video display field 1 vertical synchronization start register (VDVSYNS1) is shown in [Figure 4-47](#) and described in [Table 4-22](#).

Figure 4-47. Video Display Field 1 Vertical Synchronization Start Register (VDVSYNS1)

31	28	27	16
Reserved		VSYNCYSTART1	
R-0		R/W-0	
15	12	11	0
Reserved		VSYNCXSTART1	
R-0		R/W-0	

LEGEND: R/W = Read/Write; R = Read only; -n = value after reset

Table 4-22. Video Display Field 1 Vertical Synchronization Start Register (VDVSYNS1) Field Descriptions

Bit	field ⁽¹⁾	symval ⁽¹⁾	Value	Description
31-28	Reserved	-	0	Reserved. The reserved bit location is always read as 0. A value written to this field has no effect.
27-16	VSYNCYSTART1	OF(value) DEFAULT	0-FFFh 0	Specifies the line where VSYNC is asserted for field 1.
15-12	Reserved	-	0	Reserved. The reserved bit location is always read as 0. A value written to this field has no effect.
11-0	VSYNCXSTART1	OF(value) DEFAULT	0-FFFh 0	Specifies the pixel where VSYNC is asserted in field 1.

⁽¹⁾ For CSL implementation, use the notation VP_VDVSYNS1_field_symval

4.12.18 Video Display Field 1 Vertical Synchronization End Register (VDVSYNE1)

The video display field 1 vertical synchronization end register (VDVSYNE1) controls the end of vertical synchronization in field 1. The VDVSYNE1 is shown in [Figure 4-48](#) and described in [Table 4-23](#).

Generation of the vertical synchronization is shown in [Figure 4-6](#). The VSYNC signal is de-asserted whenever the frame line counter (FLCOUNT) is equal to VSYNCYSTOP1 and the frame pixel counter (FPCOUNT) is equal to VSYNCXSTOP1.

Figure 4-48. Video Display Field 1 Vertical Synchronization End Register (VDVSYNE1)

31	28	27	16
Reserved		VSYNCYSTOP1	
R-0		R/W-0	
15	12	11	0
Reserved		VSYNCXSTOP1	
R-0		R/W-0	

LEGEND: R/W = Read/Write; R = Read only; -n = value after reset

Table 4-23. Video Display Field 1 Vertical Synchronization End Register (VDVSYNE1) Field Descriptions

Bit	field ⁽¹⁾	symval ⁽¹⁾	Value	Description
31-28	Reserved	-	0	Reserved. The reserved bit location is always read as 0. A value written to this field has no effect.
27-16	VSYNCYSTOP1	OF(value) DEFAULT	0-FFFh 0	Specifies the line where VSYNC is de-asserted for field 1.

⁽¹⁾ For CSL implementation, use the notation VP_VDVSYNE1_field_symval

Table 4-23. Video Display Field 1 Vertical Synchronization End Register (VDVSYNE1) Field Descriptions (continued)

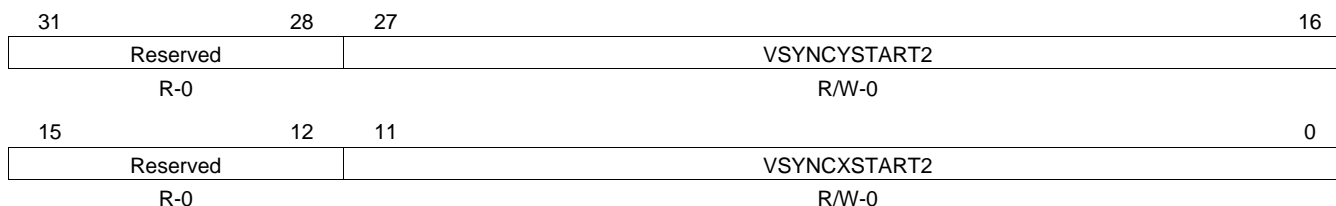
Bit	field ⁽¹⁾	symval ⁽¹⁾	Value	Description
15-12	Reserved	-	0	Reserved. The reserved bit location is always read as 0. A value written to this field has no effect.
11-0	VSYNCXSTOP1	OF(value) DEFAULT	0-FFFh 0	Specifies the pixel where VSYNC is de-asserted in field 1.

4.12.19 Video Display Field 2 Vertical Synchronization Start Register (VDVSYNS2)

The video display field 2 vertical synchronization start register (VDVSYNS2) controls the start of vertical synchronization in field 2. The VDVSYNS2 is shown in [Figure 4-49](#) and described in [Table 4-24](#).

Generation of the vertical synchronization is shown in [Figure 4-6](#). The VSYNC signal is asserted whenever the frame line counter (FLCOUNT) is equal to VSYNCYSTART2 and the frame pixel counter (FPCOUNT) is equal to VSYNCXSTART2.

Figure 4-49. Video Display Field 2 Vertical Synchronization Start Register (VDVSYNS2)



LEGEND: R/W = Read/Write; R = Read only; -n = value after reset

Table 4-24. Video Display Field 2 Vertical Synchronization Start Register (VDVSYNS2) Field Descriptions

Bit	field ⁽¹⁾	symval ⁽¹⁾	Value	Description
31-28	Reserved	-	0	Reserved. The reserved bit location is always read as 0. A value written to this field has no effect.
27-16	VSYNCYSTART2	OF(value) DEFAULT	0-FFFh 0	Specifies the line where VSYNC is asserted for field 2.
15-12	Reserved	-	0	Reserved. The reserved bit location is always read as 0. A value written to this field has no effect.
11-0	VSYNCXSTART2	OF(value) DEFAULT	0-FFFh 0	Specifies the pixel where VSYNC is asserted in field 2.

⁽¹⁾ For CSL implementation, use the notation VP_VDVSYNS2_field_symval

4.12.20 Video Display Field 2 Vertical Synchronization End Register (VDVSYNE2)

The video display field 2 vertical synchronization end register (VDVSYNE2) controls the end of vertical synchronization in field 2. The VDVSYNE2 is shown in [Figure 4-50](#) and described in [Table 4-25](#).

Generation of the vertical synchronization is shown in [Figure 4-6](#). The VSYNC signal is de-asserted whenever the frame line counter (FLCOUNT) is equal to VSYNCYSTOP2 and the frame pixel counter (FPCOUNT) is equal to VSYNCXSTOP2.

The video display field 2 vertical synchronization end register (VDVSYNE2) is shown in [Figure 4-50](#) and described in [Table 4-25](#).

Figure 4-50. Video Display Field 2 Vertical Synchronization End Register (VDVSYNE2)

31	28	27	16
Reserved		VSYNCYSTOP2	
R-0		R/W-0	
15	12	11	0
Reserved		VSYNCXSTOP2	
R-0		R/W-0	

LEGEND: R/W = Read/Write; R = Read only; -n = value after reset

Table 4-25. Video Display Field 2 Vertical Synchronization End Register (VDVSYNE2) Field Descriptions

Bit	field ⁽¹⁾	symval ⁽¹⁾	Value	Description
31-28	Reserved	-	0	Reserved. The reserved bit location is always read as 0. A value written to this field has no effect.
27-16	VSYNCYSTOP2	OF(value) DEFAULT	0-FFFh 0	Specifies the line where VSYNC is de-asserted for field 2.
15-12	Reserved	-	0	Reserved. The reserved bit location is always read as 0. A value written to this field has no effect.
11-0	VSYNCXSTOP2	OF(value) DEFAULT	0-FFFh 0	Specifies the pixel where VSYNC is de-asserted in field 2.

⁽¹⁾ For CSL implementation, use the notation VP_VDVSYNE2_field_symval

4.12.21 Video Display Counter Reload Register (VDRELOAD)

When external horizontal or vertical synchronization are used, the video display counter reload register (VDRELOAD) determines what values are loaded into the counters when an external sync is activated.

The video display counter reload register (VDRELOAD) is shown in [Figure 4-51](#) and described in [Table 4-26](#).

Figure 4-51. Video Display Counter Reload Register (VDRELOAD)

31	28	27	16
Reserved		VRLD	
R-0		R/W-0	
15	12	11	0
CRLD		HRLD	
R/W-0		R/W-0	

LEGEND: R/W = Read/Write; R = Read only; -n = value after reset

Table 4-26. Video Display Counter Reload Register (VDRELOAD) Field Descriptions

Bit	field ⁽¹⁾	symval ⁽¹⁾	Value	Description
31-28	Reserved	-	0	Reserved. The reserved bit location is always read as 0. A value written to this field has no effect.
27-16	VRLD	OF(value) DEFAULT	0-FFFh 0	Value loaded into frame line counter (FLCOUNT) when external VSYNC occurs.
15-12	CRLD	OF(value) DEFAULT	0-Fh 0	Value loaded into video clock counter (VCCOUNT) when external HSYNC occurs.
11-0	HRLD	OF(value) DEFAULT	0-FFFh 0	Value loaded into frame pixel counter (FPCOUNT) when external HSYNC occurs.

⁽¹⁾ For CSL implementation, use the notation VP_VDRELOAD_field_symval

4.12.22 Video Display Event Register (VDDISPEVT)

The video display event register (VDDISPEVT) is programmed with the number of EDMA events to be generated for display field 1 and field 2.

The video display event register (VDDISPEVT) is shown in [Figure 4-52](#) and described in [Table 4-27](#).

Figure 4-52. Video Display Event Register (VDDISPEVT)

31	28	27	16
Reserved		DISPEVT2	
R-0		R/W-0	
15	12	11	0
Reserved		DISPEVT1	
R-0		R/W-0	

LEGEND: R/W = Read/Write; R = Read only; -n = value after reset

Table 4-27. Video Display Event Register (VDDISPEVT) Field Descriptions

Bit	field ⁽¹⁾	symval ⁽¹⁾	Value	Description	
				BT.656 and Y/C Mode	Raw Data Mode
31-28	Reserved	-	0	Reserved. The reserved bit location is always read as 0. A value written to this field has no effect.	
27-16	DISPEVT2	OF(value) DEFAULT	0-FFFh 0	Specifies the number of EDMA event sets (YEVT, CbEVT, CrEVT) to be generated for field 2 output.	Specifies the number of EDMA events (YEVT) to be generated for field 2 output.
15-12	Reserved	-	0	Reserved. The reserved bit location is always read as 0. A value written to this field has no effect.	
11-0	DISPEVT1	OF(value) DEFAULT	0-FFFh 0	Specifies the number of EDMA event sets (YEVT, CbEVT, CrEVT) to be generated for field 1 output.	Specifies the number of EDMA events (YEVT) to be generated for field 1 output.

⁽¹⁾ For CSL implementation, use the notation VP_VDDISPEVT_DISPEVTn_symval

4.12.23 Video Display Clipping Register (VDCLIP)

The video display module in the BT.656 and Y/C modes performs programmable clipping. The clipping is performed as the last step of the video pipeline. It is applied only on the image areas defined by VDIMGSZn and VDIMGOFFn inside the active video area (blanking values are not clipped).

VDCLIP allows output values to be clamped within the specified values. The default values are the BT.601-specified peak black level of 16 and peak white level of 235 for luma and the maximum quantization levels of 16 and 240 for chroma. For 10-bit operation, the clipping is applied to the 8 MSBs of the value with the 2 LSBs cleared. (For example, a Y value of FF.8h is clipped to EB.0h and a Y value of 0F.4h is clipped to 10.0h.)

The video display clipping register (VDCLIP) is shown in [Figure 4-53](#) and described in [Table 4-28](#).

Figure 4-53. Video Display Clipping Register (VDCLIP)

31	24	23	16
CLIPCHIGH		CLIPCLOW	
R/W-1111-0000		R/W-0001-0000	
15	8	7	0
CLIPYHIGH		CLIPYLOW	
R/W-1110-1011		R/W-0001-0000	

LEGEND: R/W = Read/Write; R = Read only; -n = value after reset

Table 4-28. Video Display Clipping Register (VDCLIP) Field Descriptions

Bit	field ⁽¹⁾	symval ⁽¹⁾	Value	Description	
				BT.656 and Y/C Mode	Raw Data Mode
31-24	CLIPCHIGH	OF(value) DEFAULT	0-FFh F0h	A Cb or Cr value greater than CLIPCHIGH is forced to the CLIPCHIGH value.	Not used.
23-16	CLIPCLOW	OF(value) DEFAULT	0-FFh 10h	A Cb or Cr value less than CLIPCLOW is forced to the CLIPCLOW value.	Not used.
15-8	CLIPYHIGH	OF(value) DEFAULT	0-FFh EBh	A Y value greater than CLIPYHIGH is forced to the CLIPYHIGH value.	Not used.
7-0	CLIPYLOW	OF(value) DEFAULT	0-FFh 10h	A Y value less than CLIPYLOW is forced to the CLIPYLOW value.	Not used.

⁽¹⁾ For CSL implementation, use the notation VP_VDCLIP_field_symval

4.12.24 Video Display Default Display Value Register (VDDEFVAL)

The video display default display value register (VDDEFVAL) defines the default value to be output during the portion of the active video window that is not part of the displayed image.

The default value is output during the non-image display window portions of the active video. This is the region between ILCOUNT = 0 and ILCOUNT = IMGVOFFn vertically, and between IPCOUNT = 0 and IPCOUNT = IMGHOFFn horizontally. In BT.656 mode, CBDEFVAL, YDEFVAL, and CRDEFVAL are multiplexed on the output in the standard CbYCrY manner. In Y/C mode, YDEFVAL is output on the VDOOUT[9-2] bus and CBDEFVAL and CRDEFVAL are multiplexed on the VDOOUT[19-12] bus. In all cases, the default values are output on the 8 MSBs of the bus ([9-2] or [19-12]) and the 2 LSBs ([1-0] or [11-10]) are driven as 0s.

In raw data mode, the least significant 8, 10, 16, or 20 bits of DEFVAL are output depending on the bus width. The default value is also output during the horizontal and vertical blanking periods in raw data mode.

The default value is also output during the entire active video region when the BLKDIS bit in VDCTL is set and the FIFO is empty.

The video display default display value register (VDDEFVAL) is shown in [Figure 4-54](#) for the BT.656 and Y/C modes and in [Figure 4-55](#) for the raw data mode, and described in [Table 4-29](#).

Figure 4-54. Video Display Default Display Value Register (VDDEFVAL)

31	24	23	16
CRDEFVAL		CBDEFVAL	
R/W-0		R/W-0	
15	8	7	0
Reserved		YDEFVAL	
R/W-0		R/W-0	

LEGEND: R/W = Read/Write; R = Read only; -n = value after reset

Figure 4-55. Video Display Default Display Value Register (VDDEFVAL) - Raw Data Mode

31	20	19	16
Reserved		DEFVAL	
R/W-0		R/W-0	
15	DEFVAL		0
R/W-0			

LEGEND: R/W = Read/Write; R = Read only; -n = value after reset

Table 4-29. Video Display Default Display Value Register (VDDEFVAL) Field Descriptions

Bit	field (1)	symval (1)	Value	Description	
				BT.656 and Y/C Mode	Raw Data Mode
31-24	CRDEFVAL	OF(value) DEFAULT	0-FFh 0	Specifies the 8 MSBs of the default Cr display value.	Not used.
31-20 ⁽²⁾	Reserved	-	0	Not used.	Reserved. The reserved bit location is always read as 0. A value written to this field has no effect.
19-0 ⁽²⁾	DEFVAL	OF(value) DEFAULT	0-FFFFFFh 0	Not used.	Specifies the default raw data display value.
23-16	CBDEFVAL	OF(value) DEFAULT	0-FFh 0	Specifies the 8 MSBs of the default Cb display value.	Not used.
15-8	Reserved	-	0	Reserved. The reserved bit location is always read as 0. A value written to this field has no effect.	Not used.
7-0	YDEFVAL	OF(value) DEFAULT	0-FFh 0	Specifies the 8 MSBs of the default Y display value.	Not used.

(1) For CSL implementation, use the notation VP_VDDEFVAL_field_symval

(2) Raw data mode only.

4.12.25 Video Display Vertical Interrupt Register (VDVINT)

The video display vertical interrupt register (VDVINT) controls the generation of vertical interrupts in field 1 and field 2.

An interrupt can be generated upon completion of the specified line in a field (when FLCOUNT = VINTn). This allows the software to synchronize itself to the frame or field. The interrupt can be programmed to occur in one, both, or no fields using the VIF1 and VIF2 bits.

The video display field bit register (VDVINT) is shown in [Figure 4-56](#) and described in [Table 4-30](#).

Figure 4-56. Video Display Vertical Interrupt Register (VDVINT)

31	30	28	27	16
VIF2	Reserved		VINT2	
R/W-0	R-0		R/W-0	
15	14	12	11	0
VIF1	Reserved		VINT1	
R/W-0	R-0		R/W-0	

LEGEND: R/W = Read/Write; R = Read only; -n = value after reset

Table 4-30. Video Display Vertical Interrupt Register (VDVINT) Field Descriptions

Bit	field ⁽¹⁾	symval ⁽¹⁾	Value	Description
31	VIF2	OF(value) DEFAULT DISABLE ENABLE	0 1	Vertical interrupt (VINT) in field 2 enable bit. Vertical interrupt (VINT) in field 2 is disabled. Vertical interrupt (VINT) in field 2 is enabled.
30-28	Reserved	-	0	Reserved. The reserved bit location is always read as 0. A value written to this field has no effect.
27-16	VINT2	OF(value) DEFAULT	0-FFFh 0	Line where vertical interrupt (VINT) occurs, if VIF2 bit is set.
15	VIF1	OF(value) DEFAULT DISABLE ENABLE	0 1	Vertical interrupt (VINT) in field 1 enable bit. Vertical interrupt (VINT) in field 1 is disabled. Vertical interrupt (VINT) in field 1 is enabled.
14-12	Reserved	-	0	Reserved. The reserved bit location is always read as 0. A value written to this field has no effect.
11-0	VINT1	OF(value) DEFAULT	0-FFFh 0	Line where vertical interrupt (VINT) occurs, if VIF1 bit is set.

⁽¹⁾ For CSL implementation, use the notation VP_VDVINT_field_symval

4.12.26 Video Display Field Bit Register (VDFBIT)

The video display field bit register (VDFBIT) controls the F bit value in the EAV and SAV timing control codes.

The FBITCLR and FBITSET bits control the F bit value in the EAV and SAV timing control codes. The F bit is cleared to 0 (indicating field 1 display) in the EAV code at the beginning of the line whenever the frame line counter (FLCOUNT) is equal to FBITCLR. It remains a 0 for all subsequent EAV/SAV codes until the EAV at the beginning of the line when FLCOUNT = FBITSET where it changes to 1 (indicating field 2 display). The F bit operation is completely independent of the FLD control signal.

For interlaced operation, FBITCLR and FBITSET are typically programmed such that the F bit changes coincidentally with or some time after the V bit transitions from 1 to 0 (as determined by VBITCLR1 and VBITCLR2 in VDVBITn). For progressive scan operation no field 2 output occurs, so FBITSET should be programmed to a value greater than FRMHEIGHT so that the condition FLCOUNT = FBITSET never occurs and the F bit is always 0.

The video display field bit register (VDFBIT) is shown in [Figure 4-57](#) and described in [Table 4-31](#).

Figure 4-57. Video Display Field Bit Register (VDFBIT)

31	28	27	16
Reserved		FBITSET	
R-0		R/W-0	
15	12	11	0
Reserved		FBITCLR	
R-0		R/W-0	

LEGEND: R/W = Read/Write; R = Read only; -n = value after reset

Table 4-31. Video Display Field Bit Register (VDFBIT) Field Descriptions

Bit	field ⁽¹⁾	symval ⁽¹⁾	Value	Description	
				BT.656 and Y/C Mode	Raw Data Mode
31-28	Reserved	-	0	Reserved. The reserved bit location is always read as 0. A value written to this field has no effect.	
27-16	FBITSET	OF(value) DEFAULT	0-FFFh 0	Specifies the first line with an EAV of F = 1 indicating field 2 display.	Not used.
15-12	Reserved	-	0	Reserved. The reserved bit location is always read as 0. A value written to this field has no effect.	
11-0	FBITCLR	OF(value) DEFAULT	0-FFFh 0	Specifies the first line with an EAV of F = 0 indicating field 1 display.	Not used.

⁽¹⁾ For CSL implementation, use the notation VP_VDFBIT_field_symval

4.12.27 Video Display Field 1 Vertical Blanking Bit Register (VDVBIT1)

The video display field 1 vertical blanking bit register (VDVBIT1) controls the V bit value in the EAV and SAV timing control codes for field 1.

The VBITSET1 and VBITCLR1 bits control the V bit value in the EAV and SAV timing control codes. The V bit is set to 1 (indicating the start of field 1 digital vertical blanking) in the EAV code at the beginning of the line whenever the frame line counter (FLCOUNT) is equal to VBITSET1. It remains a 1 for all EAV/SAV codes until the EAV at the beginning of the line on when FLCOUNT = VBITCLR1 where it changes to 0 (indicating the start of the field 1 digital active display). The V bit operation is completely independent of the VBLNK control signal.

The VBITSET1 and VBITCLR1 bits should be programmed so that FLCOUNT becomes set to 1 during field 1 vertical blanking. The hardware only starts generating field 1 EDMA events when FLCOUNT = 1.

The video display field 1 vertical blanking bit register (VDVBIT1) is shown in [Figure 4-58](#) and described in [Table 4-32](#).

Figure 4-58. Video Display Field 1 Vertical Blanking Bit Register (VDVBIT1)

31	28	27	16
Reserved		VBITCLR1	
R-0		R/W-0	
15	12	11	0
Reserved		VBITSET1	
R-0		R/W-0	

LEGEND: R/W = Read/Write; R = Read only; -n = value after reset

Table 4-32. Video Display Field 1 Vertical Blanking Bit Register (VDVBIT1) Field Descriptions

Bit	field ⁽¹⁾	symval ⁽¹⁾	Value	Description	
				BT.656 and Y/C Mode	Raw Data Mode
31-28	Reserved	-	0	Reserved. The reserved bit location is always read as 0. A value written to this field has no effect.	
27-16	VBITCLR1	OF(value)	0-FFFh	Specifies the first line with an EAV of V = 0 indicating the start of field 1 active display.	Not used.
		DEFAULT	0		
15-12	Reserved	-	0	Reserved. The reserved bit location is always read as 0. A value written to this field has no effect.	
11-0	VBITSET1	OF(value)	0-FFFh	Specifies the first line with an EAV of V = 1 indicating the start of field 1 vertical blanking.	Not used.
		DEFAULT	0		

⁽¹⁾ For CSL implementation, use the notation VP_VDVBIT1_field_symval

4.12.28 Video Display Field 2 Vertical Blanking Bit Register (VDVBIT2)

The video display field 2 vertical blanking bit register (VDVBIT2) controls the V bit in the EAV and SAV timing control words for field 2. The VDVBIT2 is shown in Figure 4-59 and described in Table 4-33.

The VBITSET2 and VBITCLR2 bits control the V bit value in the EAV and SAV timing control codes. The V bit is set to 1 (indicating the start of field 2 digital vertical blanking) in the EAV code at the beginning of the line whenever the frame line counter (FLCOUNT) is equal to VBITSET2. It remains a 1 for all EAV/SAV codes until the EAV at the beginning of the line on when FLCOUNT = VBITCLR2 where it changes to 0 (indicating the start of the field 2 digital active display). The V bit operation is completely independent of the VBLNK control signal.

For correct interlaced operation, the region defined by VBITSET2 and VBITCLR2 must not overlap the region defined by VBITSET1 and VBITCLR1. For progressive scan operation, VBITSET2 and VBITCLR2 should be programmed to a value greater than FRMHEIGHT.

Figure 4-59. Video Display Field 2 Vertical Blanking Bit Register (VDVBIT2)

31	28	27	16
Reserved		VBITCLR2	
R-0		R/W-0	
15	12	11	0
Reserved		VBITSET2	
R-0		R/W-0	

LEGEND: R/W = Read/Write; R = Read only; -n = value after reset

Table 4-33. Video Display Field 2 Vertical Blanking Bit Register (VDVBIT2) Field Descriptions

Bit	field ⁽¹⁾	symval ⁽¹⁾	Value	Description	
				BT.656 and Y/C Mode	Raw Data Mode
31-28	Reserved	-	0	Reserved. The reserved bit location is always read as 0. A value written to this field has no effect.	
27-16	VBITCLR2	OF(value)	0-FFFh	Specifies the first line with an EAV of V = 0 indicating the start of field 2 active display.	Not used.
		DEFAULT	0		
15-12	Reserved	-	0	Reserved. The reserved bit location is always read as 0. A value written to this field has no effect.	

⁽¹⁾ For CSL implementation, use the notation VP_VDVBIT2_field_symval

Table 4-33. Video Display Field 2 Vertical Blanking Bit Register (VDVBIT2) Field Descriptions (continued)

Bit	field ⁽¹⁾	symval ⁽¹⁾	Value	Description	
				BT.656 and Y/C Mode	Raw Data Mode
11-0	VBITSET2	OF(value) DEFAULT	0-FFFh 0	Specifies the first line with an EAV of V = 1 indicating the start of field 2 vertical blanking.	Not used.

4.13 Video Display Registers Recommended Values

Sample recommended values (decimal) for video display registers for BT.656 output are given in [Table 4-34](#).

Table 4-34. Video Display Register Recommended Values

Register	Field	525/60 Value	625/50 Value
VDFRMSZ	FRMWIDTH	858	864
	FRMHEIGHT	525	625
VDHBLNK	HBLNKSTART	720	720
	HBLNKSTOP	856	862
VDVBLKS1	VBLNKXSTART1	720 ⁽¹⁾	720 ⁽¹⁾
	VBLNKYSTART1	1 ⁽¹⁾	624 ⁽¹⁾
VDVBLKE1	VBLNKXSTOP1	720 ⁽¹⁾	720 ⁽¹⁾
	VBLNKYSTOP1	20 ⁽¹⁾	23 ⁽¹⁾
VDVBLKS2	VBLNKXSTART2	360 ⁽¹⁾	360 ⁽¹⁾
	VBLNKYSTART2	263 ⁽¹⁾	311 ⁽¹⁾
VDVBLKE2	VBLNKXSTOP2	360 ⁽¹⁾	360 ⁽¹⁾
	VBLNKYSTOP2	283 ⁽¹⁾	336 ⁽¹⁾
VDFLDT1	FLD1XSTART	720 ⁽¹⁾	720 ⁽¹⁾
	FLD1YSTART	1 ⁽¹⁾	1 ⁽¹⁾
VDFLDT2	FLD2XSTART	360 ⁽¹⁾	360 ⁽¹⁾
	FLD2YSTART	263 ⁽¹⁾	313 ⁽¹⁾
VDHSYNC	HSYNCSTART	736	732
	HSYNCSTOP	800	782
VDVSYNS1	VSYNXSTART1	720 ⁽¹⁾	720 ⁽¹⁾
	VSYNCYSTART1	4 ⁽¹⁾	1 ⁽¹⁾
VDVSYNE1	VSYNXSTOP1	720 ⁽¹⁾	360 ⁽¹⁾
	VSYNCYSTOP1	7 ⁽¹⁾	3 ⁽¹⁾
VDVSYNS2	VSYNXSTART2	360 ⁽¹⁾	360 ⁽¹⁾
	VSYNCYSTART2	266 ⁽¹⁾	313 ⁽¹⁾
VDVSYNE2	VSYNXSTOP2	360 ⁽¹⁾	720 ⁽¹⁾
	VSYNCYSTOP2	269 ⁽¹⁾	316 ⁽¹⁾
VDFBIT	FBITCLR	4	1
	FBITSET	266	313
VDVBIT1	VBITSET1	1	624
	VBITCLR1	20	23
VDVBIT2	VBITSET2	264	311
	VBITCLR2	283	336

⁽¹⁾ Programming only required if external control signal is used.

4.14 Video Display FIFO Registers

The display FIFO mapping registers are listed in [Table 4-35](#). These registers provide EDMA write access to the display FIFOs. These pseudo-registers should be mapped into DSP memory space rather than configuration register space in order to provide high-speed access. See the device-specific datasheet for the memory address of these registers.

The function of the video display FIFO mapping registers is listed in [Table 4-36](#).

Table 4-35. Video Display FIFO Registers

Offset Address ⁽¹⁾	Acronym	Register Name
80h	YDSTA	Y FIFO Destination Register A
a0h	CBDSTA	Cb FIFO Destination Register A
c0h	CRDSTA	Cr FIFO Destination Register A
80h	YDSTB	Y FIFO Destination Register B
a0h	CBDSTB	Cb FIFO Destination Register B
c0h	CRDSTB	Cr FIFO Destination Register B

⁽¹⁾ The absolute address of the registers is device/port specific and is equal to the FIFO base address + offset address. See the device-specific datasheet to verify the register addresses.

Table 4-36. Video Display FIFO Registers Function

Register	Display Mode	
	BT.656 or Y/C	Raw Data
YDSTx	Maps Y display FIFO into the DSP memory.	Maps data display buffer into the DSP memory.
CBDST	Maps Cb display FIFO into the DSP memory.	Not used.
CRDST	Maps Cr display FIFO into the DSP memory.	Not used.

In BT.656 or Y/C display mode, three EDMAs move data from the DSP memory to Y, Cb, and Cr display FIFOs by using the memory-mapped YDSTx, CBDST, and CRDST registers. The EDMA transfers are triggered by the YEVT, CbEVT, and CrEVT events, respectively.

In raw display mode, one EDMA channel moves data from the DSP memory to the Y display FIFO by using the memory-mapped YDSTx register. The EDMA transfers are triggered by a YEVT event.

The video display FIFO registers are write-only locations. Reads of these addresses returns arbitrary values and do not affect the status of the display FIFOs.

General-Purpose I/O Operation

Signals not used for video display or video capture can be used as general-purpose input/output (GPIO) signals.

Topic	Page
5.1 GPIO Registers	151

5.1 GPIO Registers

The GPIO register set includes required registers such as peripheral identification and emulation control. The GPIO registers are listed in [Table 5-1](#). See the device-specific datasheet for the memory address of these registers.

Table 5-1. Video Port Registers

Offset Address ⁽¹⁾	Acronym	Register Name	Section
00h	VPPID	Video Port Peripheral Identification Register	Section 5.1.1
04h	PCR	Video Port Peripheral Control Register	Section 5.1.2
20h	PFUNC	Video Port Pin Function Register	Section 5.1.3
24h	PDIR	Video Port Pin Direction Register	Section 5.1.5
28h	PDIN	Video Port Pin Data Input Register	Section 5.1.6
2Ch	PDOUT	Video Port Pin Data Output Register	Section 5.1.7
30h	PDSET	Video Port Pin Data Set Register	Section 5.1.8
34h	PDCLR	Video Port Pin Data Clear Register	Section 5.1.8
38h	PIEN	Video Port Pin Interrupt Enable Register	Section 5.1.9
3Ch	PIPOL	Video Port Pin Interrupt Polarity Register	Section 5.1.10
40h	PISTAT	Video Port Pin Interrupt Status Register	Section 5.1.11
44h	PICLR	Video Port Pin Interrupt Clear Register	Section 5.1.12

⁽¹⁾ The absolute address of the registers is device/port specific and is equal to the base address + offset address. See the device-specific datasheet to verify the register addresses.

5.1.1 Video Port Peripheral Identification Register (VPPID)

The video port peripheral identification register (VPPID) is a read-only register used to store information about the peripheral.

The video port peripheral identification register (VPPID) is shown in [Figure 5-1](#) and described in [Table 5-2](#).

Figure 5-1. Video Port Peripheral Identification Register (VPPID)

31	24	23	16
Reserved		TYPE	
R-0		R-0000 0001	
15	8	7	0
CLASS		REVISION	
R-0000 1001		R-x(A)	

LEGEND: R/W = Read/Write; R = Read only; -n = value after reset

A See the device-specific datasheet for the default value of this field.

Table 5-2. Video Port Peripheral Identification Register (VPPID) Field Descriptions

Bit	field ⁽¹⁾	symval ⁽¹⁾	Value	Description
31-24	Reserved	-	0	Reserved. The reserved bit location is always read as 0. A value written to this field has no effect.
23-16	TYPE	OF(value) DEFAULT	01h	Identifies type of peripheral. Video port.
15-8	CLASS	OF(value) DEFAULT	09h	Identifies class of peripheral. Video
7-0	REVISION	OF(value)	x	Identifies revision of peripheral. See the device-specific datasheet for the value.

⁽¹⁾ For CSL implementation, use the notation VP_VPPID_field_symval

5.1.2 Video Port Peripheral Control Register (PCR)

The video port peripheral control register (PCR) determines operation during emulation.

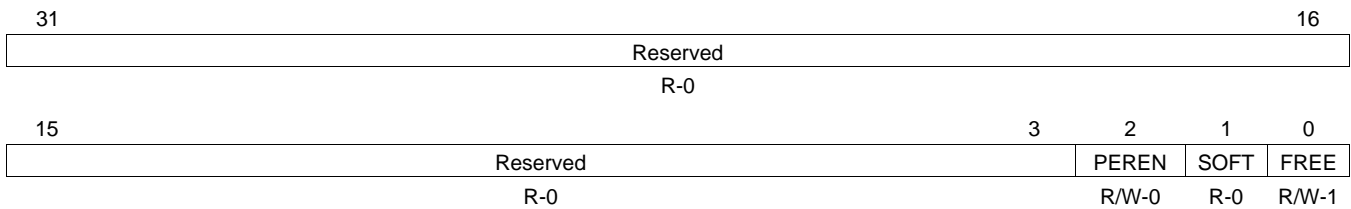
Normal operation is to not halt the port during emulation suspend. This allows a displayed image to remain visible during suspend. However, this will only work if one of the continuous capture/display modes is selected because non-continuous modes require CPU intervention for EDMA to continue indefinitely (and the CPU is halted during emulation suspend).

When FREE = 0, emulation suspend can occur. Clocks and counters continue to run in order to maintain synchronization with external devices. The video port waits until a field boundary to halt EDMA event generation, so that upon restart the video port can begin generating events again at the precise point it left off. After exiting suspend, the video port waits for the correct field boundary to occur and then reenables EDMA events. The EDMA pointers will be at the correct location for capture/display to resume where it left off. The emulation suspend operation is similar to the BLKCAP or BLKDISP operation with the difference being that BLKCAP and BLKDISP operations take effect immediately rather than at field completion and rely on you to reset the EDMA mechanism before they are cleared.

There is no separate emulation suspend mechanism on the video capture side. The field and frame operation (see [Table 3-6](#)) can be used as emulation suspend.

The video port peripheral control register (PCR) is shown in [Figure 5-2](#) and described in [Table 5-3](#).

Figure 5-2. Video Port Peripheral Control Register (PCR)



LEGEND: R/W = Read/Write; R = Read only; -n = value after reset

Table 5-3. Video Port Peripheral Control Register (PCR) Field Descriptions

Bit	field ⁽¹⁾	symval ⁽¹⁾	Value	Description
31-3	Reserved		0	Reserved. The reserved bit location is always read as 0. A value written to this field has no effect.
2	PEREN	OF(value)	0	Peripheral enable bit. Video port is disabled. Port clock (VCLK1, VCLK2, STCLK) inputs are gated off to save power. EDMA access to the video port is still acknowledged but indeterminate read data is returned and write data is discarded.
		DEFAULT DISABLE	1	Video port is enabled.
		ENABLE		
1	SOFT	OF(value)	0	Soft bit enable mode bit. This bit is used in conjunction with FREE bit to determine state of video port clock during emulation suspend. This bit has no effect if FREE = 1. The current field is completed upon emulation suspend. After completion, no new EDMA events are generated. The port clocks and counters continue to run in order to maintain synchronization. No interrupts are generated. If the port is in display mode, video control signals continue to be output and the default data value is output during the active video window.
		DEFAULT STOP	1	Is not defined for this peripheral; the bit is hardwired to 0.
		COMP		
0	FREE	OF(value)	0	Free-running enable mode bit. This bit is used in conjunction with SOFT bit to determine state of video port during emulation suspend. Free-running mode is disabled. During emulation suspend, SOFT bit determines operation of video port.
		SOFT	1	Free-running mode is enabled. Video port ignores the emulation suspend signal and continues to function as normal.
		DEFAULT		

⁽¹⁾ For CSL implementation, use the notation VP_PCR_field_symval

5.1.3 Video Port Pin Function Register (PFUNC)

The video port pin function register (PFUNC) selects the video port pins as GPIO. Each bit controls either one pin or a set of pins. When a bit is set to 1, it enables the pin(s) that map to it as GPIO. The GPIO feature should not be used for pins that are used as part of the capture or display operation. For pins that have been muxed out for use by another peripheral, the PFUNC bits will have no effect.

The VDATA pins are broken into two functional groups: VDATA[9-2] and VDATA[19-12]. Thus, each entire half of the data bus must be configured as either functional pins or GPIO pins. In the case of single BT.656 or raw 8-bit mode, the upper 10 VDATA pins (VDATA[19-12]) can be used as GPIOs. If the video port is disabled, all pins can be used as GPIO.

The video port pin function register (PFUNC) is shown in [Figure 5-3](#) and described in [Table 5-4](#).

Figure 5-3. Video Port Pin Function Register (PFUNC)

31										24																								
Reserved																																		
R-0																																		
23					22					21					20					19					16									
Reserved					PFUNC22					PFUNC21					PFUNC20					Reserved														
R-0					R/W-0					R/W-0					R/W-0					R/W-0														
15										11										10					9					8				
Reserved										Reserved										PFUNC10					Reserved									
R-0										R-0										R/W-0					R-0									
7															1															0				
Reserved															Reserved															PFUNC0				
R-0															R-0															R/W-0				

LEGEND: R/W = Read/Write; R = Read only; -n = value after reset

Table 5-4. Video Port Pin Function Register (PFUNC) Field Descriptions

Bit	field ⁽¹⁾	symval ⁽¹⁾	Value	Description
31-23	Reserved	-	0	Reserved. The reserved bit location is always read as 0. A value written to this field has no effect.
22	PFUNC22	OF(value)		
		DEFAULT	0	PFUNC22 bit determines if VCTL3 pin functions as GPIO. Pin functions normally.
21	PFUNC21	NORMAL	1	Pin functions as GPIO pin.
		VCTL3		
20	PFUNC20	OF(value)		
		DEFAULT	0	PFUNC20 bit determines if VCTL2 pin functions as GPIO. Pin functions normally.
21	PFUNC21	NORMAL	1	Pin functions as GPIO pin.
		VCTL2		
20	PFUNC20	OF(value)		
		DEFAULT	0	PFUNC20 bit determines if VCTL1 pin functions as GPIO. Pin functions normally.
21	PFUNC21	NORMAL	1	Pin functions as GPIO pin.
		VCTL1		
19-11	Reserved	-	0	Reserved. The reserved bit location is always read as 0. A value written to this field has no effect.

⁽¹⁾ For CSL implementation, use the notation VP_PFUNC_field_symval

Table 5-4. Video Port Pin Function Register (PFUNC) Field Descriptions (continued)

Bit	field ⁽¹⁾	symval ⁽¹⁾	Value	Description
10	PFUNC10	OF(<i>value</i>) DEFAULT NORMAL	0	PFUNC10 bit determines if VDATA[19-12] pins function as GPIO. Pins function normally.
		VDATA10TO19	1	Pins function as GPIO pin.
9-1	Reserved	-	0	Reserved. The reserved bit location is always read as 0. A value written to this field has no effect.
0	PFUNC0	OF(<i>value</i>) DEFAULT NORMAL	0	PFUNC0 bit determines if VDATA[9-2] pins function as GPIO. Pins function normally.
		VDATA0TO9	1	Pins function as GPIO pin.

5.1.4 Video Port Pin Direction Register (PDIR)

The PDIR controls the direction of IO pins in the video port for those pins set by PFUNC. If a bit is set to 1, the relevant pin or pin group acts as an output. If a bit is cleared to 0, the pin or pin group functions as an input. The PDIR settings do not affect pins where the corresponding PFUNC bit is not set.

The video port pin direction register (PDIR) is shown in [Figure 5-4](#) and described in [Table 5-5](#).

Figure 5-4. Video Port Pin Direction Register (PDIR)

31										24																																																	
Reserved																																																											
R-0																																																											
23					22					21					20					19					17					16																													
Reserved					PDIR22					PDIR21					PDIR20					Reserved					PDIR16																																		
R-0					R/W-0					R/W-0					R/W-0					R-0					R/W-0																																		
15										13										12										11										9										8									
Reserved										PDIR12										Reserved										PDIR8																													
R-0										R/W-0										R-0										R/W-0																													
7							5							4							3							1							0																								
Reserved							PDIR4							Reserved							PDIR0																																						
R-0							R/W-0							R-0							R/W-0																																						

LEGEND: R/W = Read/Write; R = Read only; -n = value after reset

Table 5-5. Video Port Pin Direction Register (PDIR) Field Descriptions

Bit	field ⁽¹⁾	symval ⁽¹⁾	Value	Description
31-23	Reserved	-	0	Reserved. The reserved bit location is always read as 0. A value written to this field has no effect.
22	PDIR22	OF(value) DEFAULT VCTL3IN VCTL3OUT	0 1	PDIR22 bit controls the direction of the VCTL3 pin. Pin functions as input. Pin functions as output.
21	PDIR21	OF(value) DEFAULT VCTL2IN VCTL2OUT	0 1	PDIR21 bit controls the direction of the VCTL2 pin. Pin functions as input. Pin functions as output.
20	PDIR20	OF(value) DEFAULT VCTL1IN VCTL1OUT	0 1	PDIR20 bit controls the direction of the VCTL1 pin. Pin functions as input. Pin functions as output.
19-17	Reserved	-	0	Reserved. The reserved bit location is always read as 0. A value written to this field has no effect.
16	PDIR16	OF(value) DEFAULT VDATA16TO19IN VDATA16TO19OUT	0 1	PDIR16 bit controls the direction of the VDATA[19-16] pins. Pins function as input. Pins function as output.
15-13	Reserved	-	0	Reserved. The reserved bit location is always read as 0. A value written to this field has no effect.

⁽¹⁾ For CSL implementation, use the notation VP_PDIR_field_symval

Table 5-5. Video Port Pin Direction Register (PDIR) Field Descriptions (continued)

Bit	field ⁽¹⁾	symval ⁽¹⁾	Value	Description
12	PDIR12	OF(<i>value</i>) DEFAULT VDATA12TO15IN VDATA12TO15OUT	0 1	PDIR12 bit controls the direction of the VDATA[15–12] pins. Pins function as input. Pins function as output.
11-9	Reserved	-	0	Reserved. The reserved bit location is always read as 0. A value written to this field has no effect.
8	PDIR8	OF(<i>value</i>) DEFAULT VDATA8TO9IN VDATA8TO9OUT	0	PDIR8 bit controls the direction of the VDATA[9–8] pins. Pins function as input. Pins function as output.
7-5	Reserved	-	0	Reserved. The reserved bit location is always read as 0. A value written to this field has no effect.
4	PDIR4	OF(<i>value</i>) DEFAULT VDATA4TO7IN VDATA4TO7OUT	0 1	PDIR4 bit controls the direction of the VDATA[7–4] pins. Pins function as input. Pins function as output.
3-1	Reserved	-	0	Reserved. The reserved bit location is always read as 0. A value written to this field has no effect.
0	PDIR0	OF(<i>value</i>) DEFAULT VDATA0T32IN VDATA0T32OUT	0 1	PDIR0 bit controls the direction of the VDATA[3–2] pins. Pins function as input. Pins function as output.

5.1.5 Video Port Pin Data Input Register (PDIN)

PDIN reflects the state of the video port pins. When read, PDIN returns the value from the pin's input buffer (with appropriate synchronization) regardless of the state of the corresponding PFunc or PDIR bit.

The read-only video port pin data input register (PDIN) is shown in [Figure 5-5](#) and described in [Table 5-6](#).

Figure 5-5. Video Port Pin Data Input Register (PDIN)

31								24							
Reserved															
R-0															
23		22		21		20		19		18		17		16	
Reserved		PDIN22		PDIN21		PDIN20		PDIN19		PDIN18		PDIN17		PDIN16	
R-0		R-0		R-0		R-0		R-0		R-0		R-0		R-0	
15		14		13		12		11		10		9		8	
PDIN15		PDIN14		PDIN13		PDIN12		Reserved		Reserved		PDIN9		PDIN8	
R-0		R-0		R-0		R-0		R-0		R-0		R-0		R-0	
7		6		5		4		3		2		1		0	
PDIN7		PDIN6		PDIN5		PDIN4		PDIN3		PDIN2		Reserved		Reserved	
R-0		R-0		R-0		R-0		R-0		R-0		R-0		R-0	

LEGEND: R/W = Read/Write; R = Read only; -n = value after reset

Table 5-6. Video Port Pin Data Input Register (PDIN) Field Descriptions

Bit	field ⁽¹⁾	symval ⁽¹⁾	Value	Description
31-23	Reserved	-	0	Reserved. The reserved bit location is always read as 0. A value written to this field has no effect.
22	PDIN22	OF(value) DEFAULT VCTL3LO	0	PDIN22 bit returns the logic level of the VCTL3 pin. Pin is logic low.
		VCTL3HI	1	Pin is logic high.
21	PDIN21	OF(value) DEFAULT VCTL2LO	0	PDIN21 bit returns the logic level of the VCTL2 pin. Pin is logic low.
		VCTL2HI	1	Pin is logic high.
20	PDIN20	OF(value) DEFAULT VCTL1LO	0	PDIN20 bit returns the logic level of the VCTL1 pin. Pin is logic low.
		VCTL1HI	1	Pin is logic high.
19-2	PDIN[19-2]	OF(value) DEFAULT VDATA _n LO	0	PDIN[19-2] bit returns the logic level of the corresponding VDATA[n] pin. Pin <i>n</i> is logic low.
		VDATA _n HI	1	Pin <i>n</i> is logic high.

⁽¹⁾ For CSL implementation, use the notation VP_PDIN_PDIN_n_symval

5.1.6 Video Port Pin Data Output Register (PDOUT)

The bits of PDOUT determine the value driven on the corresponding GPIO pin, if the pin is configured as an output. Writes do not affect pins not configured as GPIO outputs. The bits in PDOUT are set or cleared by writing to this register directly. A read of PDOUT returns the value of the register not the value at the pin (that might be configured as an input). An alternative way to set bits in PDOUT is to write a 1 to the corresponding bit of PDSET. An alternative way to clear bits in PDOUT is to write a 1 to the corresponding bit of PDCLR.

PDOUT has these aliases:

- PDSET — writing a 1 to a bit in PDSET sets the corresponding bit in PDOUT to 1; writing a 0 has no effect and keeps the bits in PDOUT unchanged.
- PDCLR — writing a 1 to a bit in PDCLR clears the corresponding bit in PDOUT to 0; writing a 0 has no effect and keeps the bits in PDOUT unchanged.

The video port pin data output register (PDOUT) is shown in [Figure 5-6](#) and described in [Table 5-7](#).

Figure 5-6. Video Port Pin Data Output Register (PDOUT)

Reserved							
R-0							
31							24
23	22	21	20	19	18	17	16
Reserved	PDOUT22	PDOUT21	PDOUT20	PDOUT19	PDOUT18	PDOUT17	PDOUT16
R-0	W-0	W-0	W-0	W-0	W-0	W-0	W-0
15	14	13	12	11	10	9	8
PDOUT15	PDOUT14	PDOUT13	PDOUT12	Reserved	Reserved	PDOUT9	PDOUT8
W-0	W-0	W-0	W-0	R-0	R-0	W-0	W-0
7	6	5	4	3	2	1	0
PDOUT7	PDOUT6	PDOUT5	PDOUT4	PDOUT3	PDOUT2	Reserved	Reserved
W-0	W-0	W-0	W-0	W-0	W-0	R-0	R-0

LEGEND: R/W = Read/Write; R = Read only; -n = value after reset

Table 5-7. Video Port Pin Data Out Register (PDOUT) Field Descriptions

Bit	field ⁽¹⁾	symval ⁽¹⁾	Value	Description
31-23	Reserved	-	0	Reserved. The reserved bit location is always read as 0. A value written to this field has no effect.
22	PDOUT22	OF(value)		PDOUT22 bit drives the VCTL3 pin only when the GPIO is configured as output. When reading data, returns the bit value in PDOUT22, does not return input from pin. When writing data, writes to PDOUT22 bit.
		DEFAULT VCTL3LO	0	Pin drives low.
		VCTL3HI	1	Pin drives high.
21	PDOUT21	OF(value)		PDOUT21 bit drives the VCTL2 pin only when the GPIO is configured as output. When reading data, returns the bit value in PDOUT21, does not return input from pin. When writing data, writes to PDOUT21 bit.
		DEFAULT VCTL2LO	0	Pin drives low.
		VCTL2HI	1	Pin drives high.

⁽¹⁾ For CSL implementation, use the notation VP_PDOUT_PDOUTn_symval

Table 5-7. Video Port Pin Data Out Register (PDOUT) Field Descriptions (continued)

Bit	field ⁽¹⁾	symval ⁽¹⁾	Value	Description
20	PDOUT20	OF(<i>value</i>)		PDOUT20 bit drives the VCTL1 pin only when the GPIO is configured as output. When reading data, returns the bit value in PDOUT20, does not return input from pin. When writing data, writes to PDOUT20 bit.
		DEFAULT	0	Pin drives low.
		VCTL1LO VCTL1HI	1	Pin drives high.
19-2	PDOUT[19-2]	OF(<i>value</i>)		PDOUT[19-2] bit drives the corresponding VDATA[19-2] pin only when the GPIO is configured as output. When reading data, returns the bit value in PDOUT[<i>n</i>], does not return input from pin. When writing data, writes to PDOUT[<i>n</i>] bit.
		DEFAULT	0	Pin <i>n</i> drives low.
		VDATA _{<i>n</i>} LO VDATA _{<i>n</i>} HI	1	Pin <i>n</i> drives high.

5.1.7 Video Port Pin Data Set Register (PDSET)

PDSET is an alias of the video port pin data output register (PDOUT) for writes only and provides an alternate means of driving GPIO outputs high. Writing a 1 to a bit of PDSET sets the corresponding bit in PDOUT. Writing a 0 has no effect. Register reads return all 0s.

The video port pin data set register (PDSET) is shown in [Figure 5-7](#) and described in [Table 5-8](#).

Figure 5-7. Video Port Pin Data Set Register (PDSET)

Reserved							
R-0							
31	24						
23	22	21	20	19	18	17	16
Reserved	PDSET22	PDSET21	PDSET20	PDSET19	PDSET18	PDSET17	PDSET16
R-0	W-0	W-0	W-0	W-0	W-0	W-0	W-0
15	14	13	12	11	10	9	8
PDSET15	PDSET14	PDSET13	PDSET12	Reserved	Reserved	PDSET9	PDSET8
W-0	W-0	W-0	W-0	R-0	R-0	W-0	W-0
7	6	5	4	3	2	1	0
PDSET7	PDSET6	PDSET5	PDSET4	PDSET3	PDSET2	Reserved	Reserved
W-0	W-0	W-0	W-0	W-0	W-0	R-0	R-0

LEGEND: R/W = Read/Write; R = Read only; -n = value after reset

Table 5-8. Video Port Pin Data Set Register (PDSET) Field Descriptions

Bit	field ⁽¹⁾	symval ⁽¹⁾	Value	Description
31-23	Reserved	-	0	Reserved. The reserved bit location is always read as 0. A value written to this field has no effect.
22	PDSET22	OF(value)		Allows PDOUT22 bit to be set to a logic high without affecting other I/O pins controlled by the same port.
		DEFAULT	0	No effect.
		NONE VCTL3HI	1	Sets PDOUT22 (VCTL3) bit to 1.
21	PDSET21	OF(value)		Allows PDOUT21 bit to be set to a logic high without affecting other I/O pins controlled by the same port.
		DEFAULT	0	No effect.
		NONE VCTL2HI	1	Sets PDOUT21 (VCTL2) bit to 1.
20	PDSET20	OF(value)		Allows PDOUT20 bit to be set to a logic high without affecting other I/O pins controlled by the same port.
		DEFAULT	0	No effect.
		NONE VCTL1HI	1	Sets PDOUT20 (VCTL1) bit to 1.
19-2	PDSET[19-2]	OF(value)		Allows PDOUT[19-2] bit to be set to a logic high without affecting other I/O pins controlled by the same port.
		DEFAULT	0	No effect.
		NONE VDATA _n HI	1	Sets PDOUT[n] (VDATA[n]) bit to 1.

⁽¹⁾ For CSL implementation, use the notation VP_PDSET_PDSET_n_symval

5.1.8 Video Port Pin Data Clear Register (PDCLR)

PDCLR is an alias of the video port pin data output register (PDOUT) for writes only and provides an alternate means of driving GPIO outputs low. Writing a 1 to a bit of PDCLR clears the corresponding bit in PDOUT. Writing a 0 has no effect. Register reads return all 0s.

The video port pin data clear register (PDCLR) is shown in [Figure 5-8](#) and described in [Table 5-9](#).

Figure 5-8. Video Port Pin Data Clear Register (PDCLR)

31								24							
Reserved															
R-0															
23		22		21		20		19		18		17		16	
Reserved	PDCLR22	PDCLR21	PDCLR20	PDCLR19	PDCLR18	PDCLR17	PDCLR16	Reserved	Reserved	PDCLR9	PDCLR8	Reserved	Reserved	Reserved	Reserved
R-0	W-0	W-0	W-0	W-0	W-0	W-0	W-0	Reserved	Reserved	W-0	W-0	Reserved	Reserved	Reserved	Reserved
15		14		13		12		11		10		9		8	
PDCLR15	PDCLR14	PDCLR13	PDCLR12	Reserved	Reserved	PDCLR9	PDCLR8	Reserved	Reserved	Reserved	Reserved	Reserved	Reserved	Reserved	Reserved
W-0	W-0	W-0	W-0	W-0	W-0	W-0	W-0	Reserved	Reserved	W-0	W-0	Reserved	Reserved	Reserved	Reserved
7		6		5		4		3		2		1		0	
PDCLR7	PDCLR6	PDCLR5	PDCLR4	PDCLR3	PDCLR2	Reserved	Reserved	Reserved	Reserved	Reserved	Reserved	Reserved	Reserved	Reserved	Reserved
W-0	W-0	W-0	W-0	W-0	W-0	Reserved	Reserved	Reserved	Reserved	Reserved	Reserved	Reserved	Reserved	Reserved	Reserved

LEGEND: R/W = Read/Write; R = Read only; -n = value after reset

Table 5-9. Video Port Pin Data Clear Register (PDCLR) Field Descriptions

Bit	field ⁽¹⁾	symval ⁽¹⁾	Value	Description
31-23	Reserved	-	0	Reserved. The reserved bit location is always read as 0. A value written to this field has no effect.
22	PDCLR22	OF(value)	0	Allows PDOUT22 bit to be cleared to a logic low without affecting other I/O pins controlled by the same port.
		DEFAULT NONE	0	No effect.
		VCTL3CLR	1	Clears PDOUT22 (VCTL3) bit to 0.
21	PDCLR21	OF(value)	0	Allows PDOUT21 bit to be cleared to a logic low without affecting other I/O pins controlled by the same port.
		DEFAULT NONE	0	No effect.
		VCTL2CLR	1	Clears PDOUT21 (VCTL2) bit to 0.
20	PDCLR20	OF(value)	0	Allows PDOUT20 bit to be cleared to a logic low without affecting other I/O pins controlled by the same port.
		DEFAULT NONE	0	No effect.
		VCTL1CLR	1	Clears PDOUT20 (VCTL1) bit to 0.
19-2	PDCLR[19-2]	OF(value)	0	Allows PDOUT[19-2] bit to be cleared to a logic low without affecting other I/O pins controlled by the same port.
		DEFAULT NONE	0	No effect.
		VDATA _n CLR	1	Clears PDOUT[n] (VDATA[n]) bit to 0.

⁽¹⁾ For CSL implementation, use the notation VP_PDCLR_PDCLR_n_symval

5.1.9 Video Port Pin Interrupt Enable Register (PIEN)

The GPIOs can be used to generate DSP interrupts or EDMA events. The PIEN selects which pins may be used to generate an interrupt. Only pins whose corresponding bits in PIEN are set may cause their corresponding PISTAT bit to be set.

Interrupts are enabled on a GPIO pin when the corresponding bit in PIEN is set, the pin is enabled for GPIO in PFUNC, and the pin is configured as an input in PDIR.

The video port pin interrupt enable register (PIEN) is shown in [Figure 5-9](#) and described in [Table 5-10](#).

Figure 5-9. Video Port Pin Interrupt Enable Register (PIEN)

31								24							
Reserved															
R-0															
23		22		21		20		19		18		17		16	
Reserved		PIEN22		PIEN21		PIEN20		PIEN19		PIEN18		PIEN17		PIEN16	
R-0		W-0		W-0		W-0		W-0		W-0		W-0		W-0	
15		14		13		12		11		10		9		8	
PIEN15		PIEN14		PIEN13		PIEN12		Reserved		Reserved		PIEN9		PIEN8	
W-0		W-0		W-0		W-0		R-0		R-0		W-0		W-0	
7		6		5		4		3		2		1		0	
PIEN7		PIEN6		PIEN5		PIEN4		PIEN3		PIEN2		Reserved		Reserved	
W-0		W-0		W-0		W-0		W-0		W-0		R-0		R-0	

LEGEND: R/W = Read/Write; R = Read only; -n = value after reset

Table 5-10. Video Port Pin Interrupt Enable Register (PIEN) Field Descriptions

Bit	field (1)	symval (1)	Value	Description
31-23	Reserved	-	0	Reserved. The reserved bit location is always read as 0. A value written to this field has no effect.
22	PIEN22	OF(value)		PIEN22 bit enables the interrupt on the VCTL3 pin.
		DEFAULT	0	Interrupt is disabled.
21	PIEN21	VCTL3LO		
		VCTL3HI	1	Pin enables the interrupt.
20	PIEN20	OF(value)		PIEN20 bit enables the interrupt on the VCTL2 pin.
		DEFAULT	0	Interrupt is disabled.
19	PIEN19	VCTL2LO		
		VCTL2HI	1	Pin enables the interrupt.
18	PIEN18	OF(value)		PIEN18 bit enables the interrupt on the VCTL1 pin.
		DEFAULT	0	Interrupt is disabled.
17	PIEN17	VCTL1LO		
		VCTL1HI	1	Pin enables the interrupt.
19-2	PIEN[19-2]	OF(value)		PIEN[19-2] bits enable the interrupt on the corresponding VDATA[n] pin.
		DEFAULT	0	Interrupt is disabled.
16	PIEN16	VDATA _n LO		
		VDATA _n HI	1	Pin <i>n</i> enables the interrupt.

(1) For CSL implementation, use the notation VP_PIE_n_PIEN_n_symval

5.1.10 Video Port Pin Interrupt Polarity Register (PIPOL)

The PIPOL determines the GPIO pin signal polarity that generates an interrupt.

The video port pin interrupt polarity register (PIPOL) is shown in [Figure 5-10](#) and described in [Table 5-11](#).

Figure 5-10. Video Port Pin Interrupt Polarity Register (PIPOL)

31	Reserved							24
R-0								
23	22	21	20	19	18	17	16	
Reserved	PIPOL22	PIPOL21	PIPOL20	PIPOL19	PIPOL18	PIPOL17	PIPOL16	
R-0	R/W-0	R/W-0	R/W-0	R/W-0	R/W-0	R/W-0	R/W-0	
15	14	13	12	11	10	9	8	
PIPOL15	PIPOL14	PIPOL13	PIPOL12	Reserved	Reserved	PIPOL9	PIPOL8	
R/W-0	R/W-0	R/W-0	R/W-0	R-0	R-0	R/W-0	R/W-0	
7	6	5	4	3	2	1	0	
PIPOL7	PIPOL6	PIPOL5	PIPOL4	PIPOL3	PIPOL2	Reserved	Reserved	
R/W-0	R/W-0	R/W-0	R/W-0	R/W-0	R/W-0	R-0	R-0	

LEGEND: R/W = Read/Write; R = Read only; -n = value after reset

Table 5-11. Video Port Pin Interrupt Polarity Register (PIPOL) Field Descriptions

Bit	field ⁽¹⁾	symval ⁽¹⁾	Value	Description
31-23	Reserved	-	0	Reserved. The reserved bit location is always read as 0. A value written to this field has no effect.
22	PIPOL22	OF(value) DEFAULT VCTL3ACTHI VCTL3ACTLO	0	PIPOL22 bit determines the VCTL3 pin signal polarity that generates an interrupt. Interrupt is caused by a low-to-high transition on the VCTL3 pin.
			1	Interrupt is caused by a high-to-low transition on the VCTL3 pin.
21	PIPOL21	OF(value) DEFAULT VCTL2ACTHI VCTL2ACTLO	0	PIPOL21 bit determines the VCTL2 pin signal polarity that generates an interrupt. Interrupt is caused by a low-to-high transition on the VCTL2 pin.
			1	Interrupt is caused by a high-to-low transition on the VCTL2 pin.
20	PIPOL20	OF(value) DEFAULT VCTL1ACTHI VCTL1ACTLO	0	PIPOL20 bit determines the VCTL1 pin signal polarity that generates an interrupt. Interrupt is caused by a low-to-high transition on the VCTL1 pin.
			1	Interrupt is caused by a high-to-low transition on the VCTL1 pin.
19-2	PIPOL[19-2]	OF(value) DEFAULT VDATA _n ACTHI VDATA _n ACTLO	0	PIPOL[19-2] bit determines the corresponding VDATA[n] pin signal polarity that generates an interrupt. Interrupt is caused by a low-to-high transition on the VDATA[n] pin.
			1	Interrupt is caused by a high-to-low transition on the VDATA[n] pin.

⁽¹⁾ For CSL implementation, use the notation VP_PIPOL_PIPOLn_symval.

5.1.11 Video Port Pin Interrupt Status Register (PISTAT)

PISTAT is a read-only register that indicates the GPIO pin that has a pending interrupt.

A bit in PISTAT is set when the corresponding GPIO pin is configured as an interrupt (the corresponding bit in PIEN is set, the pin is enabled for GPIO in PFUNC, and the pin is configured as an input in PDIR) and the appropriate transition (as selected by the corresponding PIPOL bit) occurs on the pin. Whenever a PISTAT bit is set to 1, the GPIO bit in VPIS is set. The PISTAT bits are cleared by writing a 1 to the corresponding bit in PICLR. Writing a 0 has no effect. Clearing all the PISTAT bits does not clear the GPIO bit in VPIS, it must be explicitly cleared. If any bits in PISTAT are still set when the GPIO bit is cleared, the GPIO bit is set again.

The video port pin interrupt status register (PISTAT) is shown in [Figure 5-11](#) and described in [Table 5-12](#).

Figure 5-11. Video Port Pin Interrupt Status Register (PISTAT)

Reserved							
R-0							
31							24
23	22	21	20	19	18	17	16
Reserved	PISTAT22	PISTAT21	PISTAT20	PISTAT19	PISTAT18	PISTAT17	PISTAT16
R-0	R-0	R-0	R-0	R-0	R-0	R-0	R-0
15	14	13	12	11	10	9	8
PISTAT15	PISTAT14	PISTAT13	PISTAT12	Reserved	Reserved	PISTAT9	PISTAT8
R-0	R-0	R-0	R-0	R-0	R-0	R-0	R-0
7	6	5	4	3	2	1	0
PISTAT7	PISTAT6	PISTAT5	PISTAT4	PISTAT3	PISTAT2	Reserved	Reserved
R-0	R-0	R-0	R-0	R-0	R-0	R-0	R-0

LEGEND: R/W = Read/Write; R = Read only; -n = value after reset

Table 5-12. Video Port Pin Interrupt Status Register (PISTAT) Field Descriptions

Bit	field ⁽¹⁾	symval ⁽¹⁾	Value	Description
31-23	Reserved	-	0	Reserved. The reserved bit location is always read as 0. A value written to this field has no effect.
22	PISTAT22	OF(value) DEFAULT NONE VCTL3INT	0 1	PISTAT22 bit indicates if there is a pending interrupt on the VCTL3 pin. No pending interrupt on the VCTL3 pin. Pending interrupt on the VCTL3 pin.
21	PISTAT21	OF(value) DEFAULT NONE VCTL2INT	0 1	PISTAT21 bit indicates if there is a pending interrupt on the VCTL2 pin. No pending interrupt on the VCTL2 pin. Pending interrupt on the VCTL2 pin.
20	PISTAT20	OF(value) DEFAULT NONE VCTL1INT	0 1	PISTAT20 bit indicates if there is a pending interrupt on the VCTL1 pin. No pending interrupt on the VCTL1 pin. Pending interrupt on the VCTL1 pin.
19-2	PISTAT[19-2]	OF(value) DEFAULT NONE VDATA[n]INT	0 1	PISTAT[19-2] bit indicates if there is a pending interrupt on the corresponding VDATA[n] pin. No pending interrupt on the VDATA[n] pin. Pending interrupt on the VDATA[n] pin.

⁽¹⁾ For CSL implementation, use the notation VP_PISTAT_PISTAT_n_symval

5.1.12 Video Port Pin Interrupt Clear Register (PICLR)

PICLR is an alias of the video port pin interrupt status register (PISTAT) for writes only. Writing a 1 to a bit of PICLR clears the corresponding bit in PISTAT. Writing a 0 has no effect. Register reads return all 0s.

The video port pin interrupt clear register (PICLR) is shown in [Figure 5-12](#) and described in [Table 5-13](#).

Figure 5-12. Video Port Pin Interrupt Clear Register (PICLR)

31								24							
Reserved															
R-0															
23		22		21		20		19		18		17		16	
Reserved	PICLR22	PICLR21	PICLR20	PICLR19	PICLR18	PICLR17	PICLR16	PICLR15	PICLR14	PICLR13	PICLR12	Reserved	Reserved	PICLR9	PICLR8
R-0	W-0	W-0	W-0	W-0	W-0	W-0	W-0	R-0	R-0	W-0	W-0	R-0	R-0	W-0	W-0
15		14		13		12		11		10		9		8	
PICLR15	PICLR14	PICLR13	PICLR12	Reserved	Reserved	PICLR9	PICLR8	PICLR7	PICLR6	PICLR5	PICLR4	PICLR3	PICLR2	Reserved	Reserved
W-0	W-0	W-0	W-0	R-0	R-0	W-0	W-0	W-0	W-0	W-0	W-0	W-0	W-0	R-0	R-0
7		6		5		4		3		2		1		0	
PICLR7	PICLR6	PICLR5	PICLR4	PICLR3	PICLR2	Reserved	Reserved	PICLR7	PICLR6	PICLR5	PICLR4	PICLR3	PICLR2	Reserved	Reserved
W-0	W-0	W-0	W-0	W-0	W-0	R-0	R-0	W-0	W-0	W-0	W-0	W-0	W-0	R-0	R-0

LEGEND: R/W = Read/Write; R = Read only; -n = value after reset

Table 5-13. Video Port Pin Interrupt Clear Register (PICLR) Field Descriptions

Bit	field ⁽¹⁾	symval ⁽¹⁾	Value	Description	
31-23	Reserved	-	0	Reserved. The reserved bit location is always read as 0. A value written to this field has no effect.	
22	PICLR22	OF(value)	0	Allows PISTAT22 bit to be cleared to a logic low.	
		DEFAULT		No effect.	
		NONE			
21	PICLR21	VCTL3CLR	1	Clears PISTAT22 (VCTL3) bit to 0.	
		OF(value)	0	Allows PISTAT21 bit to be cleared to a logic low.	
		DEFAULT		No effect.	
20	PICLR20	NONE	0		
		VCTL2CLR		1	Clears PISTAT21 (VCTL2) bit to 0.
		OF(value)		0	Allows PISTAT20 bit to be cleared to a logic low.
DEFAULT	No effect.				
19-2	PICLR[19-2]	VCTL1CLR	1	Clears PISTAT20 (VCTL1) bit to 0.	
		OF(value)	0	Allows PISTAT[19-2] bit to be cleared to a logic low.	
		DEFAULT		No effect.	
19-2	PICLR[19-2]	NONE	0		
		VDATA _n CLR		1	Clears PISTAT[n] (VDATA[n]) bit to 0.
		OF(value)		0	Allows PISTAT[19-2] bit to be cleared to a logic low.
DEFAULT	No effect.				

⁽¹⁾ For CSL implementation, use the notation VP_PICLR_PICLR_n_symval

VCXO Interpolated Control Port

This chapter provides an overview of the VCXO interpolated control (VIC) port.

Topic	Page
6.1 Overview	168
6.2 Interface	168
6.3 Operational Details	169
6.4 Enabling VIC Port	170
6.5 VIC Port Registers	170

6.1 Overview

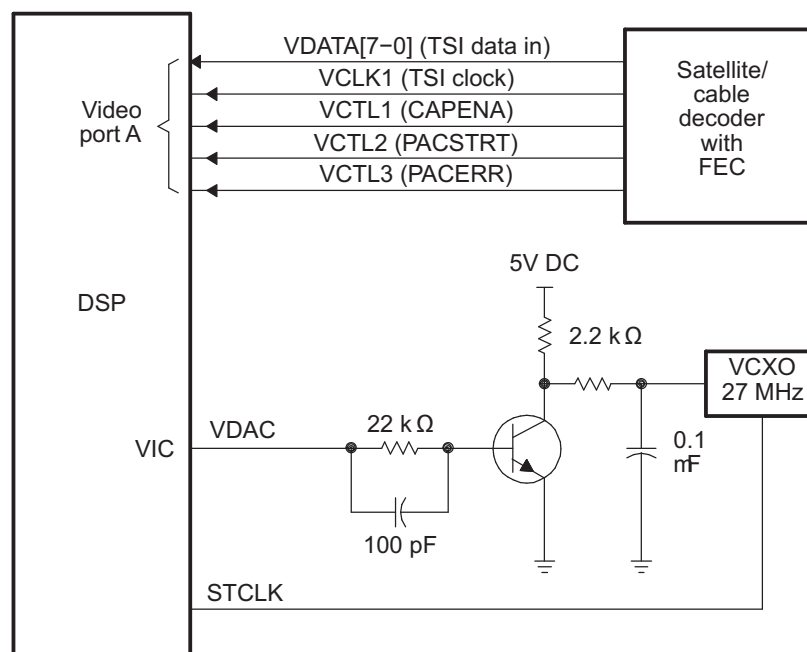
The VCXO interpolated control (VIC) port provides single-bit interpolated VCXO control with resolution from 9 bits to up to 16 bits. The frequency of interpolation is dependent on the resolution needed.

When the video port is used in transport stream interface (TSI) mode, the VIC port is used to control the system clock, VCXO, for MPEG transport stream (Figure 6-1).

The VIC port supports following features:

- Single-bit interpolated VCXO control
- Programmable precision from 9 to 16 bits

Figure 6-1. TCI System Block Diagram



6.2 Interface

The pin list for VIC port is shown in Table 6-1 (pins are 3.3V I/Os).

Table 6-1. VIC Port Interface Signals

VIC Port Signal	Direction	Description
VDAC	Output	VCXO control
STCLK	Input	System time clock

6.3 Operational Details

Synchronization is an important aspect of decoding and presenting data in real-time digital data delivery systems. This is addressed in the MPEG transport packets by transmitting timing information in the adaptation fields of selected data packets. This serves as a reference for timing comparison in the receiving system. A sample of the 27-MHz clock, the program clock reference (PCR) header is shown in [Figure 6-2](#), is transmitted within the bit stream, which indicates the expected time at the completion of reading the field from the bit stream at the transport decoder. The sample is a 42-bit field, 9 bits cycle from 0 to 299 at 27 MHz, while the other 33-bit field is incremented by 1 each time the 9-bit field reaches a value of 299. The transport data packets are in sync with the server system clock.

Figure 6-2. Program Clock Reference (PCR) Header Format

47	15	14	9	8	0
PCR		Reserved		PCR extension	

The video port in conjunction with the VIC port uses a combined hardware and software solution to synchronize the transport system time clock (STC) with the clock reference transmitted in the bit stream.

The video port maintains a hardware counter that counts the system time. The counter is driven by system time clock (STCLK) input driven by an external VCXO, controlled by the VIC port.

On reception of a packet, the video port captures a snapshot of the counter. Software uses this timestamp to determine the deviation of the system time clock from the server clock, and drives VCTL output of the VIC port to keep it synchronized.

Any time a packet with a PCR is received, the timestamp for that packet is compared with the PCR value in software. A PLL is implemented in software to synchronize the STCLK with the system time clock. The DSP updates the VIC input register (VICIN) using the output from this algorithm, which in turn drives the VCTL output that controls the system time clock VCXO.

If f is the frequency of PCRs in the incoming bit stream, the interpolation rate R of the VCTL output is given in [Equation 6-1](#), where k is determined by the precision β specified by you.

Equation 6-1. Relationship Between Interpolation Rate and Input Frequency

$$R = kf$$

[Equation 6-2](#) gives the relation between k and the precision β .

Equation 6-2. Relationship of Frequency Multiplier to Precision

$$k > \sqrt[3]{(\pi^2(2^\beta - 1)^2)/3}$$

[Table 6-2](#) gives some k and R values for different β 's with f fixed at 40 kHz. Once a suitable interpolation frequency is determined, the clock divider can be set.

Table 6-2. Example Values for Interpolation Rate

β	k	R
9	96.0	3.8 MHz
10	151.0	6.0 MHz
11	240.0	9.6 MHz
12	381.0	15.2 MHz
13	605.0	24.2 MHz
14	960.0	38.4 MHz
15	1523.0	60.9 MHz
16	2418.0	96.7 MHz

6.4 Enabling VIC Port

Perform the following steps to enable the VIC port.

1. Clear the GO bit in the VIC control register (VICCTL) to 0.
2. Set the PRECISION bits in VICCTL to the desired precision.
3. Set the VIC clock divider register (VICDIV) bits to appropriate value based on the precision and interpolation frequency.
4. Set the GO bit in VICCTL to 1.
5. The VIC input register (VICIN) is written into every time a new input code is available for interpolation. Repeat step [Step 1](#) as often as needed.

6.5 VIC Port Registers

The VIC port registers are listed in [Table 6-3](#). See the device-specific datasheet for the memory address of these registers.

Table 6-3. VIC Port Registers

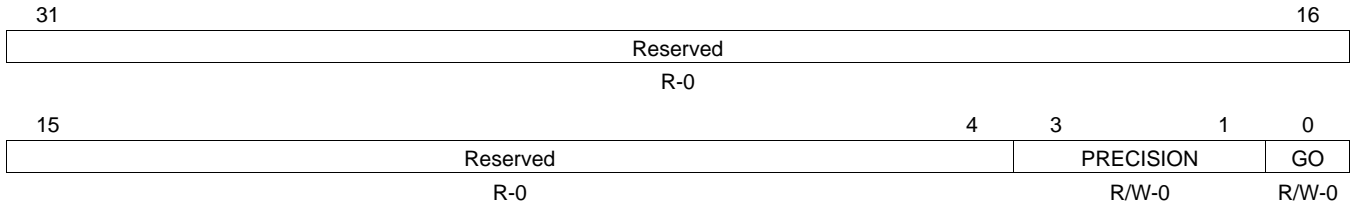
Offset Address ⁽¹⁾	Acronym	Register Name	Section
00h	VICCTL	VIC Control Register	Section 6.5.1
04h	VICIN	VIC Input Register	Section 6.5.2
08h	VICDIV	VIC Clock Divider Register	Section 6.5.3

⁽¹⁾ The absolute address of the registers is device specific and is equal to the base address + offset address. See the device-specific datasheet to verify the register addresses.

6.5.1 VIC Control Register (VICCTL)

The VIC control register (VICCTL) is shown in [Figure 6-3](#) and described in [Table 6-4](#).

Figure 6-3. VIC Control Register (VICCTL)



LEGEND: R/W = Read/Write; R = Read only; -n = value after reset

Table 6-4. VIC Control Register (VICCTL) Field Descriptions

Bit	field	symval ⁽¹⁾	Value	Description
31-4	Reserved	-	0	Reserved. The reserved bit location is always read as 0. A value written to this field has no effect.
3-1	PRECISION	OF(value)	0-7h	Precision bits determine the resolution of the interpolation. The PRECISION bits can only be written when the GO bit is cleared to 0. If the GO bit is set to 1, a write to the PRECISION bits does not change the bits.
		DEFAULT	0	16 bits
		16BITS	1h	15 bits
		15BITS	2h	14 bits
		14BITS	3h	13 bits
		13BITS	4h	12 bits
		12BITS	5h	11 bits
		11BITS	6h	10 bits
		10BITS	7h	9 bits
0	GO	OF(value)		The GO bit can be written to at any time.
		DEFAULT	0	The VICDIV and VICCTL registers can be written to without affecting the operation of the VIC port. All the logic in the VIC port is held in reset state and a 0 is output on the VCTL output line. A write to VICCTL bits as well as setting GO to 1 is allowed in a single write operation. The VICCTL bits change and the GO bit is set, disallowing any further changes to the VICCTL and VICDIV registers.
		0		
		1	1	The VICDIV and VICCTL (except for the GO bit) registers cannot be written. If a write is performed to the VICDIV or VICCTL registers when the GO bit is set, the values of these registers remain unchanged. If a write is performed that clears the GO bit to 0 and changes the values of other VICCTL bits, it results in GO = 0 while keeping the rest of the VICCTL bits unchanged. The VIC port is in its normal working mode in this state.

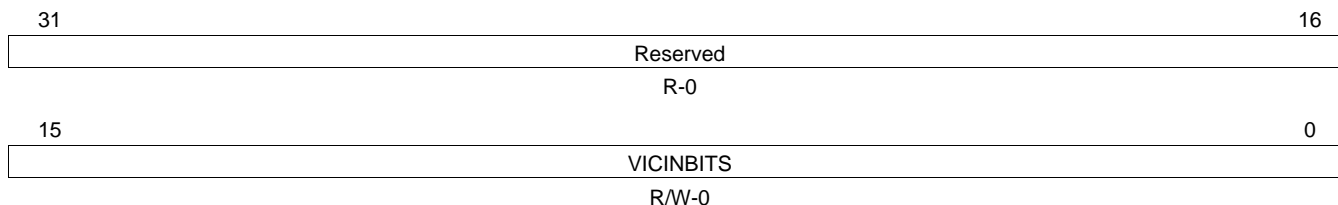
⁽¹⁾ For CSL implementation, use the notation VIC_VICCTL_field_symval

6.5.2 VIC Input Register (VICIN)

The DSP writes the input bits for VCXO interpolated control in the VIC input register (VICIN). The DSP decides how often to update VICIN. The DSP can write to VICIN only when the GO bit in the VIC control register (VICCTL) is set to 1. The VIC module uses the MSBs of VICIN for precision values less than 16.

The VIC input register (VICIN) is shown in [Figure 6-4](#) and described in [Table 6-5](#).

Figure 6-4. VIC Input Register (VICIN)



LEGEND: R/W = Read/Write; R = Read only; -n = value after reset

Table 6-5. VIC Input Register (VICIN) Field Descriptions

Bit	<i>field</i>	<i>symval</i> ⁽¹⁾	Value	Description
31-16	Reserved	-	0	Reserved. The reserved bit location is always read as 0. A value written to this field has no effect.
15-0	VICINBITS	OF(<i>value</i>) DEFAULT	0-FFFFh 0	The DSP writes the input bits for VCXO interpolated control to the VIC input bits.

⁽¹⁾ For CSL implementation, use the notation VIC_VICIN_VICINBITS_*symval*

6.5.3 VIC Clock Divider Register (VICDIV)

The VIC clock divider register (VICDIV) defines the clock divider for the VIC interpolation frequency. The VIC interpolation frequency is obtained by dividing the module clock. The divider value written to VICDIV is:

$$\text{Divider} = \text{Round}[DCLK/R]$$

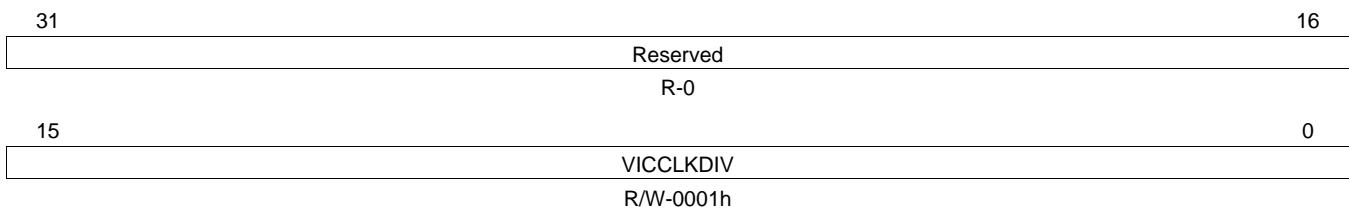
where $DCLK$ is the CPU clock divided by 2, and R is the desired interpolation frequency. The interpolation frequency depends on precision β .

The default value of VICDIV is 0001h; 0000h is an illegal value. The VIC module uses a value of 0001h whenever 0000h is written to this register.

The DSP can write to VICDIV only when the GO bit in VICCTL is cleared to 0. If a write is performed when the GO bit is set to 1, the VICDIV bits remain unchanged.

The VIC clock divider register (VICDIV) is shown in [Figure 6-5](#) and described in [Table 6-6](#).

Figure 6-5. VIC Clock Divider Register (VICDIV)



LEGEND: R/W = Read/Write; R = Read only; -n = value after reset

Table 6-6. VIC Clock Divider Register (VICDIV) Field Descriptions

Bit	field	symval ⁽¹⁾	Value	Description
31-16	Reserved	-	0	Reserved. The reserved bit location is always read as 0. A value written to this field has no effect.
15-0	VICCLKDIV	OF(value) DEFAULT	0-FFFFh 1h	The VIC clock divider bits define the clock divider for the VIC interpolation frequency.

⁽¹⁾ For CSL implementation, use the notation VIC_VICDIV_VICCLKDIV_symval

IMPORTANT NOTICE

Texas Instruments Incorporated and its subsidiaries (TI) reserve the right to make corrections, modifications, enhancements, improvements, and other changes to its products and services at any time and to discontinue any product or service without notice. Customers should obtain the latest relevant information before placing orders and should verify that such information is current and complete. All products are sold subject to TI's terms and conditions of sale supplied at the time of order acknowledgment.

TI warrants performance of its hardware products to the specifications applicable at the time of sale in accordance with TI's standard warranty. Testing and other quality control techniques are used to the extent TI deems necessary to support this warranty. Except where mandated by government requirements, testing of all parameters of each product is not necessarily performed.

TI assumes no liability for applications assistance or customer product design. Customers are responsible for their products and applications using TI components. To minimize the risks associated with customer products and applications, customers should provide adequate design and operating safeguards.

TI does not warrant or represent that any license, either express or implied, is granted under any TI patent right, copyright, mask work right, or other TI intellectual property right relating to any combination, machine, or process in which TI products or services are used. Information published by TI regarding third-party products or services does not constitute a license from TI to use such products or services or a warranty or endorsement thereof. Use of such information may require a license from a third party under the patents or other intellectual property of the third party, or a license from TI under the patents or other intellectual property of TI.

Reproduction of information in TI data books or data sheets is permissible only if reproduction is without alteration and is accompanied by all associated warranties, conditions, limitations, and notices. Reproduction of this information with alteration is an unfair and deceptive business practice. TI is not responsible or liable for such altered documentation.

Resale of TI products or services with statements different from or beyond the parameters stated by TI for that product or service voids all express and any implied warranties for the associated TI product or service and is an unfair and deceptive business practice. TI is not responsible or liable for any such statements.

TI products are not authorized for use in safety-critical applications (such as life support) where a failure of the TI product would reasonably be expected to cause severe personal injury or death, unless officers of the parties have executed an agreement specifically governing such use. Buyers represent that they have all necessary expertise in the safety and regulatory ramifications of their applications, and acknowledge and agree that they are solely responsible for all legal, regulatory and safety-related requirements concerning their products and any use of TI products in such safety-critical applications, notwithstanding any applications-related information or support that may be provided by TI. Further, Buyers must fully indemnify TI and its representatives against any damages arising out of the use of TI products in such safety-critical applications.

TI products are neither designed nor intended for use in military/aerospace applications or environments unless the TI products are specifically designated by TI as military-grade or "enhanced plastic." Only products designated by TI as military-grade meet military specifications. Buyers acknowledge and agree that any such use of TI products which TI has not designated as military-grade is solely at the Buyer's risk, and that they are solely responsible for compliance with all legal and regulatory requirements in connection with such use.

TI products are neither designed nor intended for use in automotive applications or environments unless the specific TI products are designated by TI as compliant with ISO/TS 16949 requirements. Buyers acknowledge and agree that, if they use any non-designated products in automotive applications, TI will not be responsible for any failure to meet such requirements.

Following are URLs where you can obtain information on other Texas Instruments products and application solutions:

Products		Applications	
Amplifiers	amplifier.ti.com	Audio	www.ti.com/audio
Data Converters	dataconverter.ti.com	Automotive	www.ti.com/automotive
DSP	dsp.ti.com	Broadband	www.ti.com/broadband
Interface	interface.ti.com	Digital Control	www.ti.com/digitalcontrol
Logic	logic.ti.com	Military	www.ti.com/military
Power Mgmt	power.ti.com	Optical Networking	www.ti.com/opticalnetwork
Microcontrollers	microcontroller.ti.com	Security	www.ti.com/security
RFID	www.ti-rfid.com	Telephony	www.ti.com/telephony
Low Power Wireless	www.ti.com/lpw	Video & Imaging	www.ti.com/video
		Wireless	www.ti.com/wireless

Mailing Address: Texas Instruments, Post Office Box 655303, Dallas, Texas 75265
Copyright © 2007, Texas Instruments Incorporated