



In Italy, it means beautiful view. To you, a wonderful place to regain relaxed, revitalized perspective.

WHIRLPOOL BATH FEATURES:

- Multi-speed motor
- 4 fully adjustable PowerPro® jets
- 4 spinning neck jets
- 2 directionally adjustable AccuPro™ foot jets
- 900 watt variable speed heated air blower
- Bottom air channels for maximum massage
- 256 color Chromatherapy lighting system
- All-in-one electronic control panel
- Drain-assist purge system
- RapidHeat™ inline heater
- ProO₃™ Ozone Sanitation System standard

Detail: The Bellavista™ whirlpool bath's perfectly placed PowerPro® and AccuPro™ jets work in concert with a deeply contoured backrest to offer the ultimate in hydrotherapy.

**Bellavista™ 5.5
SALON® SPA BATH**

MODEL NUMBER:
DY45

EXTERIOR DIMENSIONS:
66" long x 42.22" wide
x 26" high

INTERIOR DIMENSIONS:
46" long x 24" wide

OF JETS/TYPE OF JETS:
4 PowerPro® Jets,
4 Spinning Neck Jets,
2 AccuPro™ Foot Jets

OPERATING GALLONS:
85 gallons





Bellavista™ 5.5 SALON® SPA BATH

DY45 Bellavista™ 5.5 Salon® Spa, Right Hand

- Center Drain Location
- Accessories / Hardware:
 - HTA Jet Ring Kit: #M952
 - BMH Jet Ring Kit: #J869
 - 2 x Neck Jet Ring Trim Kit: #P556
 - Rotary Drain Kit, 30" Cable: #K606
- Trim Kit Finishes Available:
 - (827) – Chrome
 - (898) – Brushed Chrome
 - (815) – Satin Nickel
 - (829) – Bright Brass
 - (805) – Platinum
 - (826) – Brushed Nickel
 - (845) – Oil Rubbed Bronze

INSTALLATION NOTES

Refer to installation instructions included with fixture before beginning installation. Please confirm product availability and specifications before commencing with any installation work.

PRODUCT SPECIFICATIONS AND AVAILABILITY ARE SUBJECT TO CHANGE WITHOUT NOTICE.

Technical Specifications

DIMENSIONS

66" L x 42.22" W x 26" H
(1676 mm) L x (1072 mm) W x (660 mm) H

DRAIN/OVERFLOW

A: 20" (508 mm) B: 11-3/4" (298 mm)

CUTOUT

Template Provided P/N P187000

TOTAL WEIGHT

1186 lb (538 kg) / 62 lb/ft² (301 kg/m²)

OPERATING GALLONAGE

85 U.S. Gal. (322 Liters)

PRODUCT WEIGHT

177 lb (80 kg)

SKIRT MOUNTING

Not Available

ELECTRICAL SPECIFICATIONS

Requires a dedicated GFCI protected separate circuit.

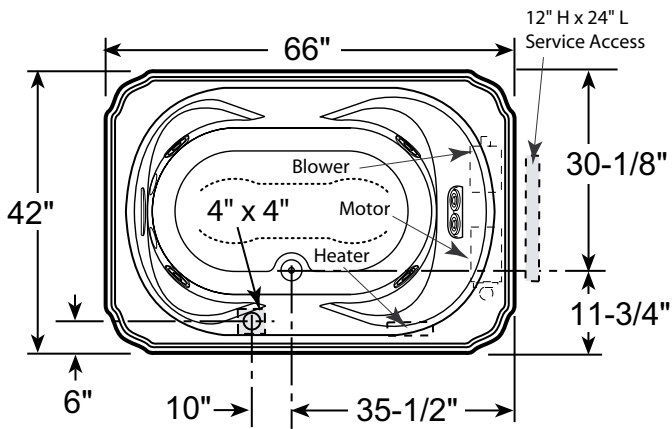
Blower: 120VAC, 20AMP, 60 Hz.

Motor/Pump and RapidHeat™: 240VAC, 20AMP, 60 Hz.

HEATER (STANDARD)

Requires a dedicated GFCI protected separate circuit.

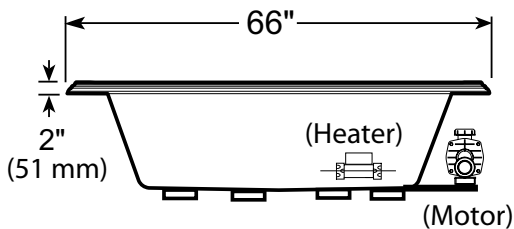
RapidHeat™: P/N BN60000



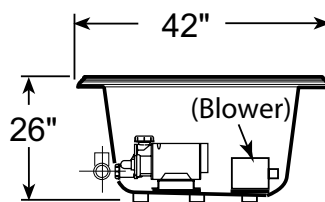
Product Shown: Bellavista™ 5.5 Salon™ Spa Right Hand (DY45) Shown.

* Measurements inside unit represent cutout in floor to allow for drain/overflow.

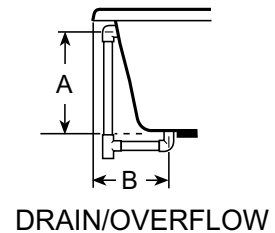
Minimum Service Access dimensions given.



SIDE VIEW



END VIEW



DRAIN/OVERFLOW