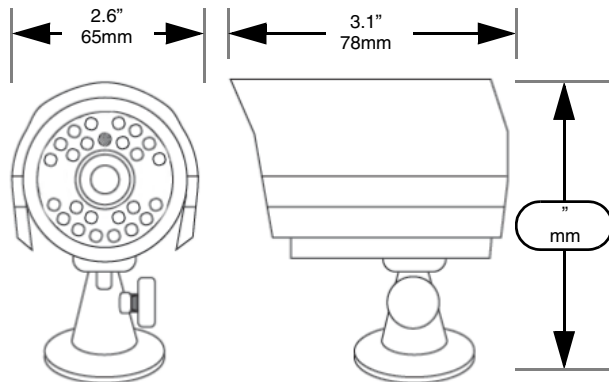


4. Camera Specifications

Specifications:

Image Sensor	1/4" Color CCD
Video Format / Pixels	NTSC: 512(H) x 492 (V)
Horizontal Resolution	350 TVL
Sync. & Scan. Systems	Internal; 2:1 Interlace
S/N Ratio	More than 48dB @ AGC off
Iris & Shutter Speed	AES; 1/60 ~ 1/100,000
Minimum Illumination	0.6 LUX / F2.0 (w/o IR LED)
Video Output	1.0Vpp @ 75 ohm
Lens / Lens Mount	3.6mm Fixed
FOV (diagonal)	60 Degrees
Termination	Video: BNC Female Power: Barrel Female
IR / Night Vision Range	24 LED / 12m (40ft)
Power Source	12V DC 500mA AC Adaptor
Power Consumption	100 mA (w/o LED); 350 mA (w/LED)
Operating Temp.	14°F ~ 113°F (-10°C ~ 45°C)
Dimensions	
Weight	460g / 16.2 oz.

Dimensions:



It's all on the web

- Product Information
- User Manuals
- Quick Start Guides
- Specification Sheets
- Software Upgrades
- Firmware Upgrades



VISIT
www.lorexcctv.com

LOREX Technology Inc.
Copyright © 2007 LOREX Technology Inc. As our products are subject to continuous improvement, LOREX and its subsidiaries reserve the right to modify product design, specifications and prices, without notice and without incurring any obligation. E&OE

**COLOR DAY/NIGHT CCD
WEATHERPROOF
CAMERA**

Model: SG7522 Series



Quick Set-up Guide

LOREX

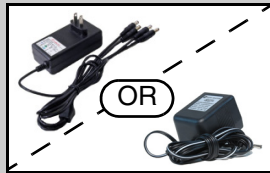
1. Package Contents



1 x Color Bullet Camera with Stand



1 x 60 ft. Extension Cable



1 x Quad 4-in-1 AC Power Adaptor -OR-
1 x Single AC Power Adaptor *

* Single power adaptor provided with Single Camera pack; Quad 4-in-1 power adaptor provided with a 4-pack Camera Bundle, providing power to all 4 cameras at once.

WARNING - The REGULATED power supply included with this product is REQUIRED for use with this camera. Use of a non-regulated, non-conforming power supply can damage this product and will void the warranty.

Features:

- 1/4" advanced CCD image sensor provides superior image quality
- 24 IR LEDs provide an effective night vision range of 40 ft. (12m)**
- Advanced Day/Night mode: Picture automatically switches camera to B&W delivering better clarity in low light conditions
- Ceiling or Wall Mountable
- Weather proof camera housing ideal for outdoor or indoor applications (IP67 Rating)***.

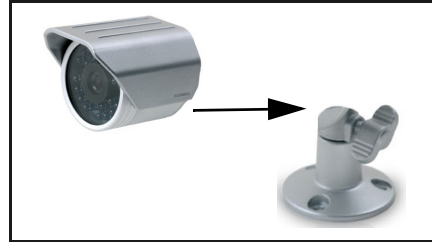
** IR illumination range up to 40 ft (12M) under ideal conditions. Objects at or beyond this range may be partially or completely obscured, depending on the camera application.

*** Not recommended for submersion in water.

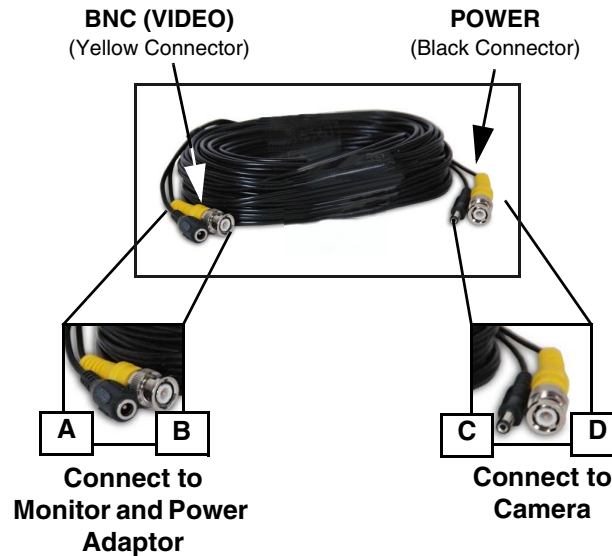
2. Installing the Camera

NOTE: Test the Cameras and Cables prior to selecting a permanent mounting location by temporarily connecting them to the system.

1. Attach the camera to the supplied stand. Mount the camera stand to the desired mounting surface



2. Connect the 60ft Extension cable:



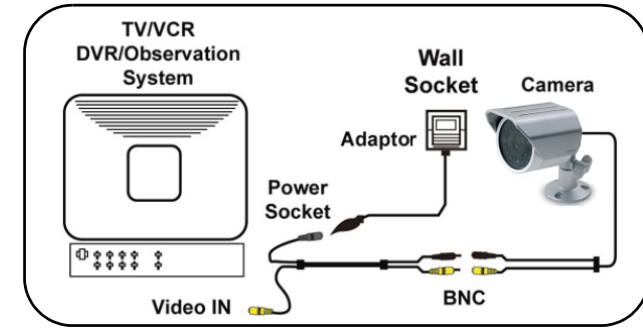
- A. Connect the Barrel Power connector to a power adaptor.
- B. Connect the BNC connector to a monitor
- C. Connect the Male Power connector to the Camera.
- D. Connect the BNC connector to the Camera.

3. Connect the Power Adaptor to the wall outlet.

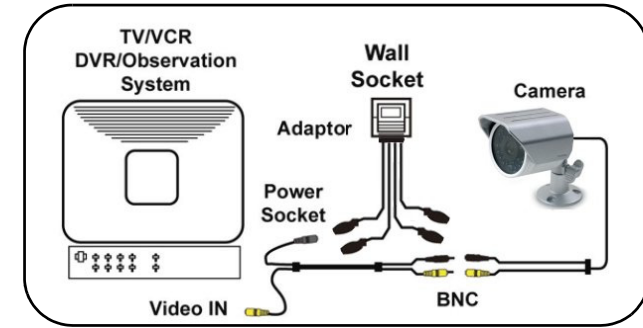
3. Connecting the Camera

Setup Diagrams:

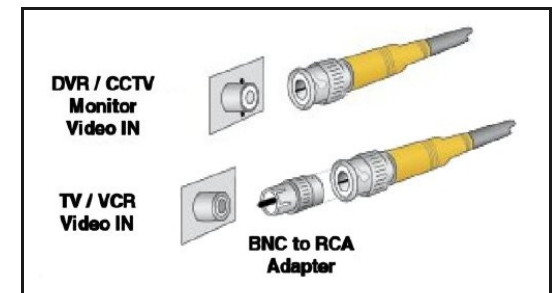
Single A/C Adaptor



Quad 4-in-1 A/C Adaptor



Connecting a BNC to RCA Adaptor:



Connect a BNC to RCA Adaptor as needed to allow for proper connectivity to a TV or VCR (sold separately).