

American Standard

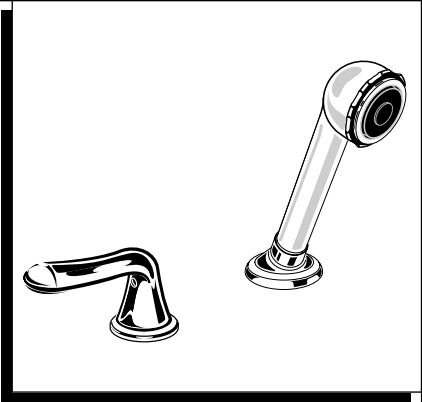
DECK MOUNT TUB FILLERS

COLONY DIVERTER & PERSONAL SHOWER TRIM KIT

Thank you for selecting American-Standard...the benchmark of fine quality for over 100 years.

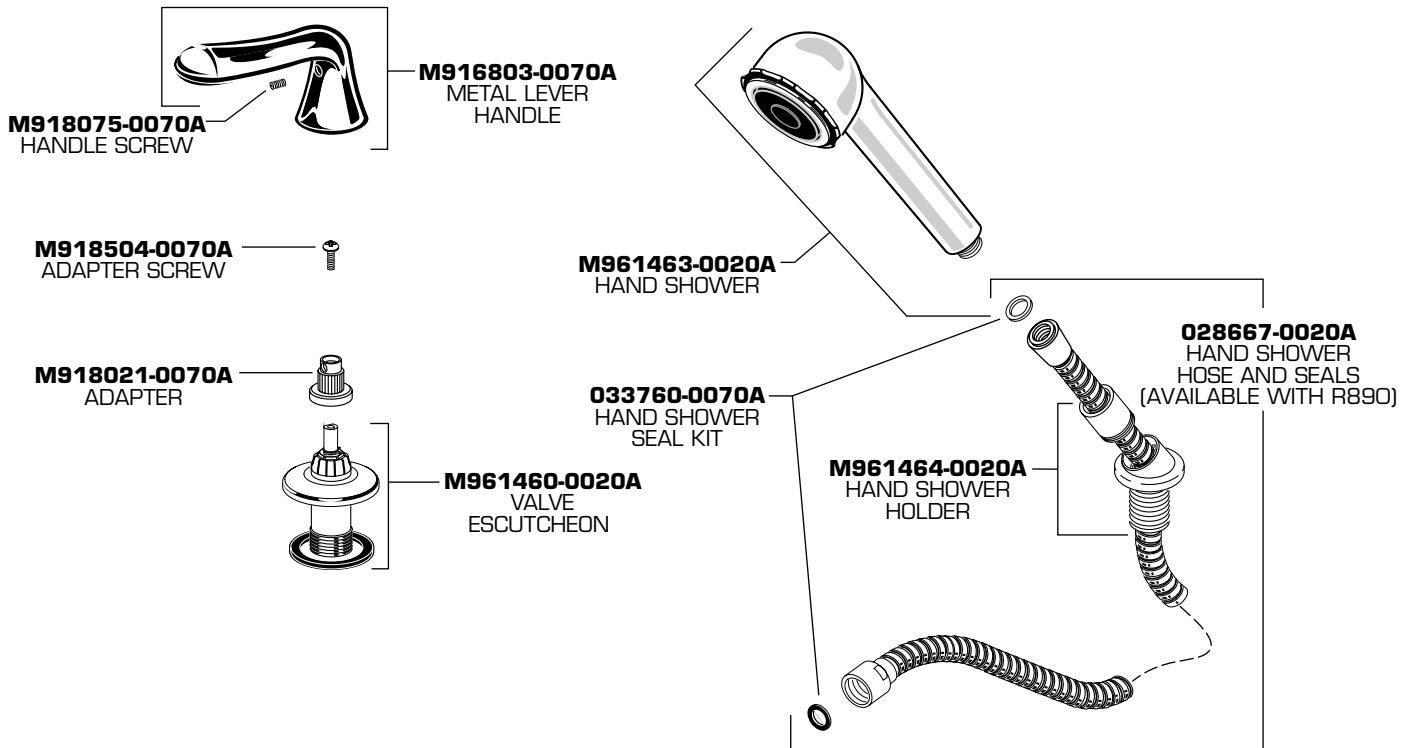
To ensure that your installation proceeds smoothly—please read these instructions carefully before you begin.

Installation Instructions T990.5XX



Certified to comply with ANSI A112.18.1
U.S. Patent No. D403,750

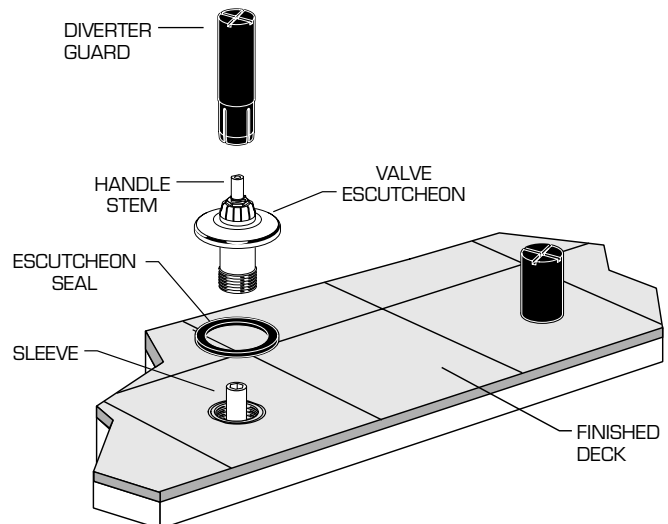
M968762



1

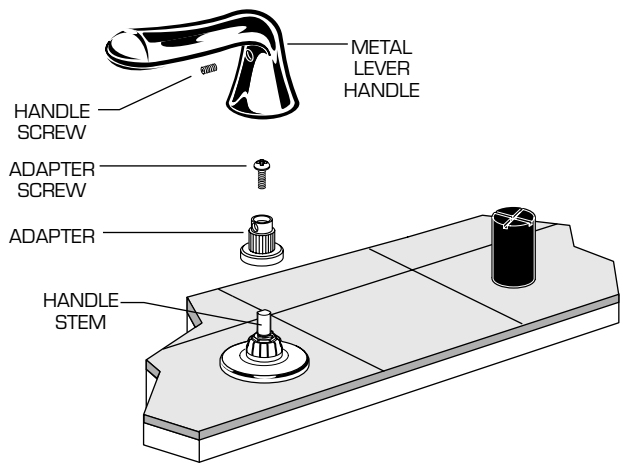
INSTALL DIVERTER VALVE TRIM

- REMOVE THE DIVERTER GUARD.
- Place the ESCUTCHEON SEAL over the DIVERTER BODY.
- Thread the VALVE ESCUTCHEON into the DIVERTER BODY. Align the HANDLE STEM with the SLEEVE as necessary. Thread the VALVE ESCUTCHEON into the BODY until the ESCUTCHEON contacts the finished deck.



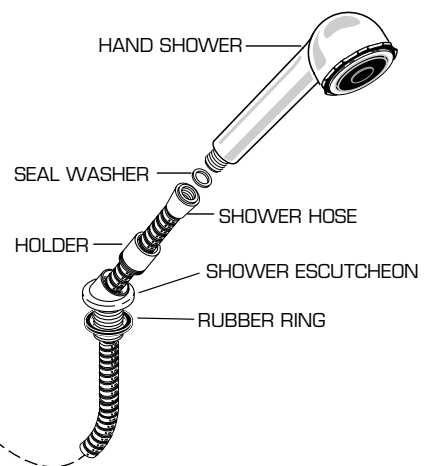
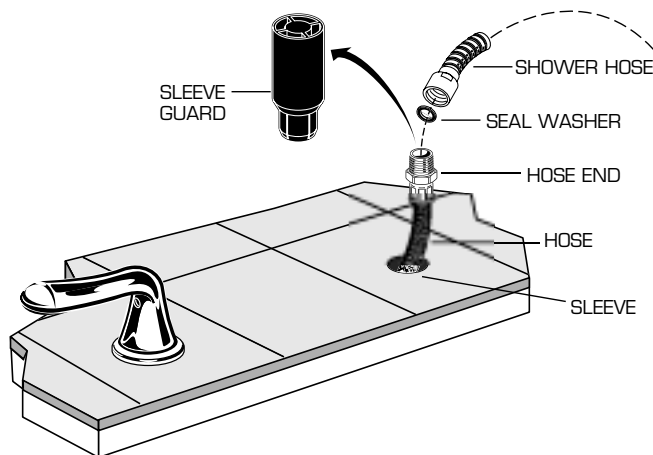
2 INSTALL HANDLE TRIM

- Turn HANDLE STEM fully clockwise (Tub Filler position).
- Place the HANDLE ADAPTER on the HANDLE STEM. Install the ADAPTER SCREW and tighten securely.
- Position LEVER HANDLE and place on ADAPTER. Install the HANDLE SCREW and tighten securely.

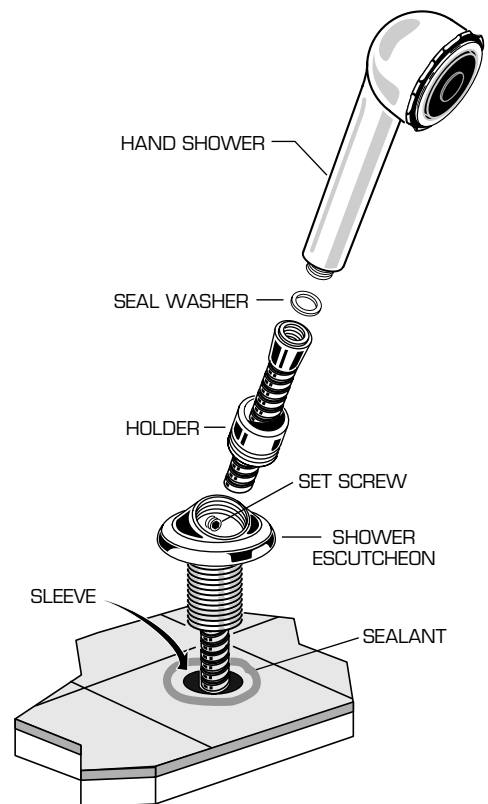


3 INSTALL HAND SHOWER

- Unscrew the HOLDER from the SHOWER ESCUTCHEON. Slip the SHOWER HOSE through the HOLDER and the SHOWER ESCUTCHEON. Insert a SEAL WASHER into the SHOWER HOSE CONNECTOR.
- Pull out the SLEEVE GUARD and HOSE. Unthread the SLEEVE GUARD from the HOSE END connection. **Be careful not to allow the HOSE to fall back through the SLEEVE.**
- Thread the SHOWER HOSE onto the HOSE END connection and tighten securely.



- Apply a sealant around the HOSE HOLE.
- Thread the SHOWER ESCUTCHEON into the SLEEVE until the ESCUTCHEON contacts the finished deck.
- Loosen the SET SCREW in the SHOWER ESCUTCHEON and rotate the ESCUTCHEON towards the center of the tub. Retighten the SET SCREW.
- Thread the HOLDER into the SHOWER ESCUTCHEON.
- Insert a SEAL WASHER into the SHOWER HOSE connector and connect the HAND SHOWER. Place the HAND SHOWER into the HOLDER.



HOTLINE FOR HELP

For toll-free information and answers to your questions, call:

1 (800) 442-1902

Weekdays 8:00 a.m. to 7:00 p.m. Eastern Time

IN CANADA 1-800-387-0369 (TORONTO 1-905-306-1093)