



MODEL H0596 AIR BELT SANDER INSTRUCTION SHEET

⚠ WARNING



EYE INJURY HAZARD!
Always wear safety glasses when using this tool to prevent serious personal injury.



INJURY HAZARD!
Always disconnect tool from air to prevent unexpected operation during service.



DUST HAZARD!
Always wear respirator when using this tool.

Introduction

This 25,000 RPM air belt sander requires 90 PSI, 4 CFM, and 3/8" x 13" sanding belts. Four-pack sanding belts (Model H2322) can be purchased separately for the Model H0596.

Inventory

- A. Air Belt Sander 1
- B. 3/8" x 13" Sanding Belts 2
- C. Hex Wrench 3mm 1

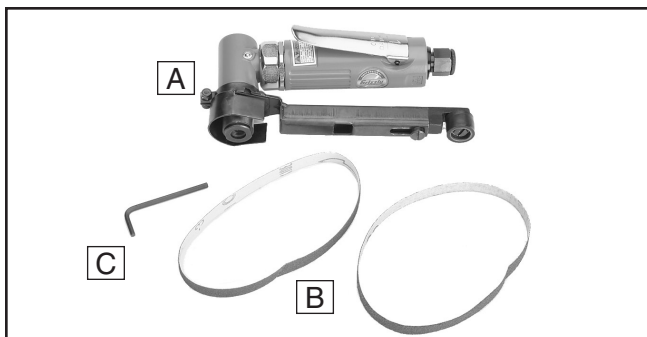


Figure 1. Model H0596.

Adjusting Platen and Attaching Belt To adjust the platen:

- Using the hex wrench, loosen the cap screw and hex nut shown in **Figure 2** and turn the platen to the desired operating angle.



Figure 2. Loosening cap screw and hex nut.

- Make sure the platen and housing surfaces (**Figure 3A**) are seated and flush with one another. If these mounting surfaces are not square, remove the platen from the housing (**Figure 3B**) and reseat the platen and clamp nut.

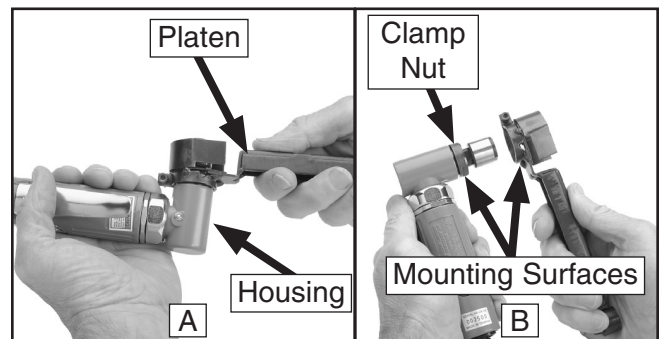


Figure 3. Squaring mounting surfaces.

- Tighten the cap screw and hex nut loosened in **Step 1**.

To attach the sanding belt:

1. Loosen the screw on the platen (**Figure 4**), press the wheel inward, and tighten the screw.



Figure 4. Loosening screw on platen.

2. Install the sanding belt as shown in **Figure 5**.



Figure 5. Installing sanding belt.

3. Loosen the screw shown in **Figure 4** to automatically tension the belt.

Operation

To operate the sander:

1. Plug the sander into compressed air.
2. Hold the sander and push the throttle lever (**Figure 6**) to operate the sander and adjust the speed. Turn the valve screw to set the maximum belt speed.

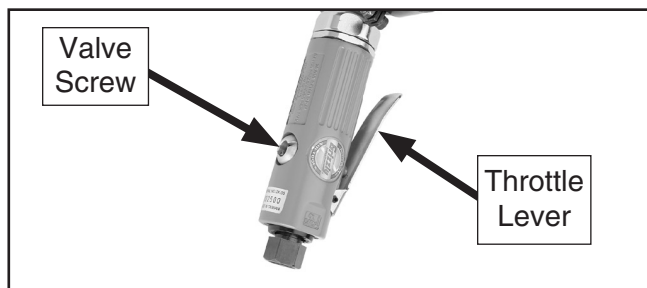


Figure 6. Sander controls.

3. Remove pressure on the throttle lever to stop the sander.
4. When the sanding belt loses its effectiveness, **disconnect the sander from air**, remove the belt and replace with a new one.

Maintenance

Lubricate at the beginning of the sanding task. Place one or two drops of pneumatic tool oil directly into the air fitting as shown in **Figure 7**.

A filter/lubricator/regulator set up is not recommended, as excess oil in the tool could spray onto the workpiece.

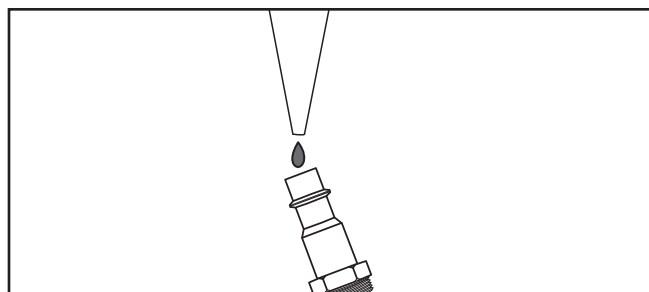


Figure 7. Lubricating directly into air fitting.

Also, apply one to two squirts of non-detergent motor oil, such as SAE 20W, into the oil ball shown in **Figure 8**.

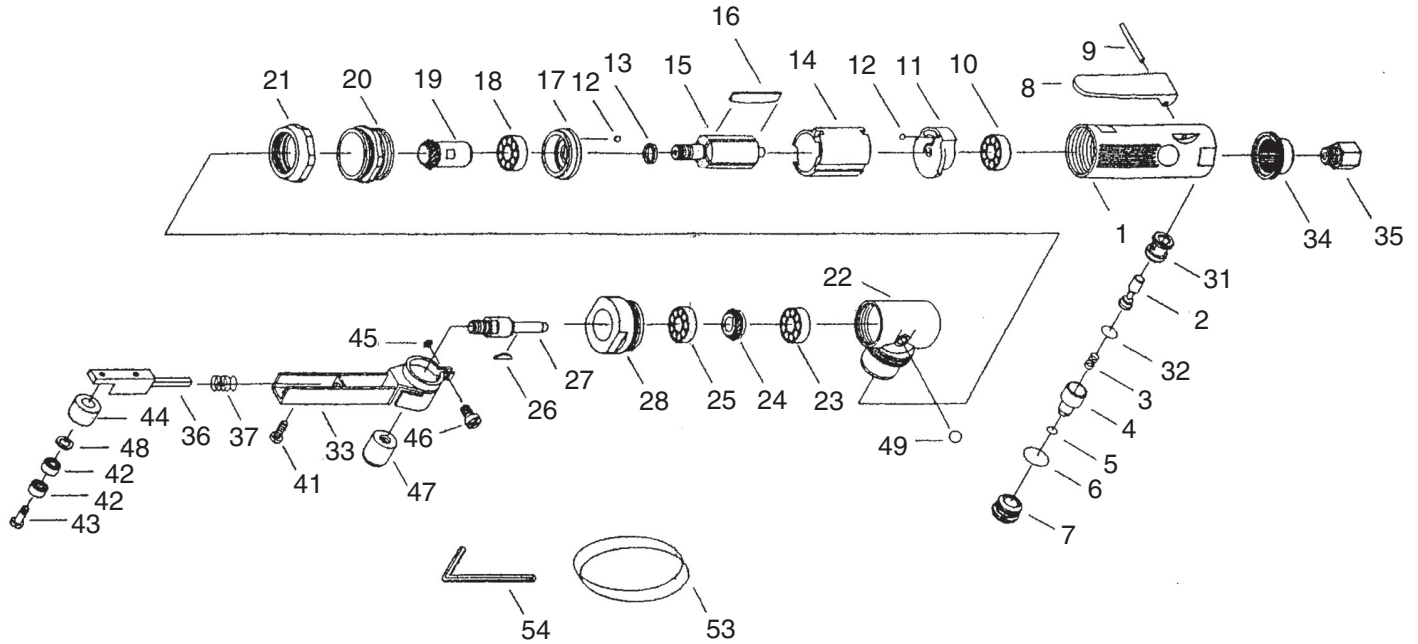


Figure 8. Oil ball.

Run the sander for a few minutes to eject excess oil, then wipe the tool down with a rag and begin sanding. Oil the tool after use or storage.

If you need help with your new pneumatic tool, call our Tech Support at: (570) 546-9663.

H0596 Parts Breakdown and List



| REF | PART # | DESCRIPTION |
|-----|-----------|--------------------------------|
| 1 | PH0596001 | MOTOR HOUSING |
| 2 | PH0596002 | THROTTLE VALVE |
| 3 | PH0596003 | THROTTLE VALVE SPRING 3.8 X 14 |
| 4 | PH0596004 | AIR REGULATOR |
| 5 | PH0596005 | O-RING 7 X 1.4 |
| 6 | PH0596006 | O-RING 12 X 2 |
| 7 | PH0596007 | VALVE SCREW M14-1.25 X 9.2 |
| 8 | PH0596008 | THROTTLE LEVER |
| 9 | PH0596009 | THROTTLE LEVER PIN |
| 10 | P696 | BALL BEARING 696ZZ |
| 11 | PH0596011 | REAR END PLATE |
| 12 | PH0596012 | BALL |
| 13 | PH0596013 | ROTOR COLLAR |
| 14 | PH0596014 | CYLINDER |
| 15 | PH0596015 | ROTOR |
| 16 | PH0596016 | ROTOR BLADE |
| 17 | PH0596017 | FRONT END PLATE |
| 18 | P608 | BALL BEARING 608ZZ |
| 19 | PH0596019 | PINION |
| 20 | PH0596020 | MOTOR CLAMP |
| 21 | PH0596021 | HOUSING LOCK RING |
| 22 | PH0596022 | ANGLE HEAD BUSHING |
| 23 | P696 | BALL BEARING 696ZZ |

| REF | PART # | DESCRIPTION |
|-----|-----------|----------------------------|
| 24 | PH0596024 | SPINDLE GEAR |
| 25 | P608 | BALL BEARING 608ZZ |
| 26 | PH0596026 | WOODRUFF KEY 2 X 4.2 |
| 27 | PH0596027 | SPINDLE |
| 28 | PH0596028 | CLAMP NUT M24-1.25 X 14 |
| 31 | PH0596031 | THROTTLE VALVE BUSHING |
| 32 | PH0596032 | O-RING |
| 33 | PH0596033 | BELT SET |
| 34 | PH0596034 | EXHAUST SLEEVE |
| 35 | PH0596035 | HOSE ADAPTER |
| 36 | PH0596036 | ADJUSTMENT BAR |
| 37 | PH0596037 | COMPRESSION SPRING 10 X 37 |
| 41 | PSB23M | CAP SCREW M4-.7 X 12 |
| 42 | G3855 | BALL BEARING 695ZZ |
| 43 | PSB20M | CAP SCREW M5-.8 X 14 |
| 44 | PH0596044 | BELT WHEEL |
| 45 | PLN01M | LOCK NUT M4-.7 |
| 46 | PSB23M | CAP SCREW M4-.7 X 12 |
| 47 | PH0596047 | BELT WHEEL |
| 48 | PH0596048 | SPACER 5MM |
| 49 | PH0596049 | OIL BALL |
| 53 | PH0596053 | SANDING BELT 3/8" x 13" |
| 54 | PAW03M | HEX WRENCH 3MM |

