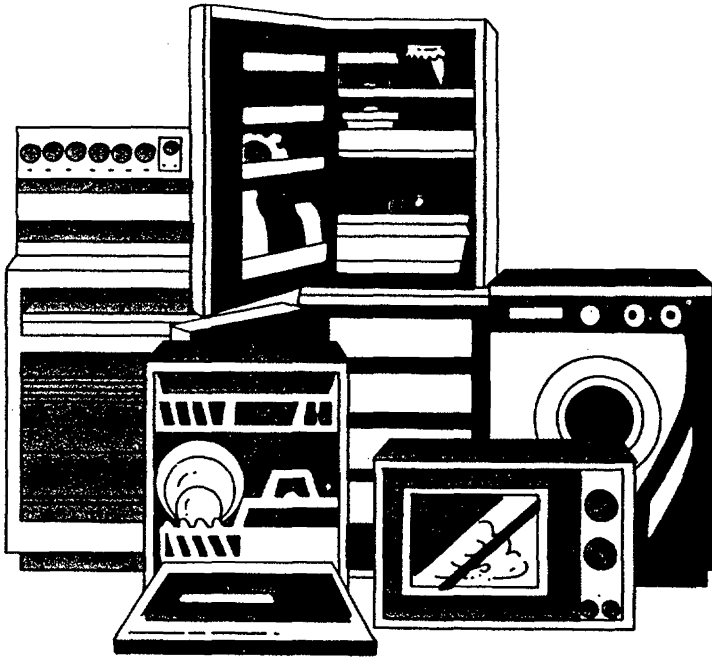


TRICITY BENDIX

we'll do the homework



OPERATING AND INSTALLATION INSTRUCTIONS

MODEL NO
TM 330

IMPORTANT INFORMATION

YOU MUST READ THE WHOLE OF THIS INSTRUCTION BOOK BEFORE YOU USE THE APPLIANCE. FOLLOW THE ADVICE CAREFULLY.

KEEP THE BOOK FOR FUTURE REFERENCE. IF YOU SELL OR GIVE AWAY THE APPLIANCE, MAKE SURE THAT THE BOOK IS PASSED TO THE NEW OWNER.

WARNINGS

- **The following warnings are provided in the interest of overall safety. You must read them before the appliance is installed or used.**

INSTALLATION

- This appliance should not be installed in a bathroom or shower room.
- Any electrical work required to install this appliance should be carried out by a qualified electrician or competent person.
- Make sure that the appliance does not stand on its electrical supply cable.
- This tumble dryer is designed to be vented through to the open air. The appliance should have its own ventilation system which should not be joined with any other ventilation system connected to any other appliance.
- In order to prevent the appliance from overheating, it is important that the air inlet vents are not obstructed.

USAGE

- Always unplug the appliance after use.
- Never tumble dry items that have had contact with chemicals such as dry cleaning fluid. These are of a volatile nature and could cause an explosion.
- The users should always check that they have not left their gas lighters (disposable or otherwise) in their clothing.
- Leave the porthole door slightly ajar when not in use to preserve the door seal.
- Fluff filters must be cleaned after every use.
- Do not operate the appliance with a damaged filter or with no filter at all, as this may cause a fire.

SERVICE/REPAIR

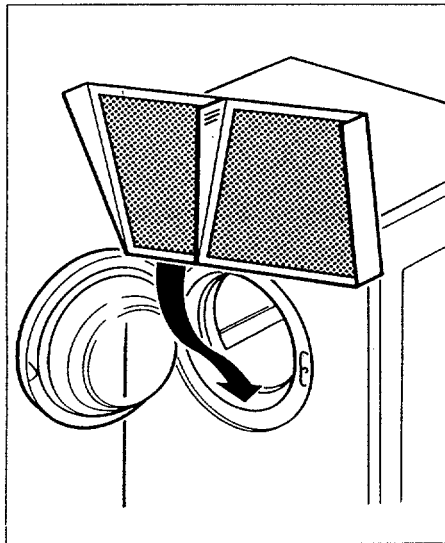
- You should not attempt to repair the machine yourself. Repairs carried out by inexperienced or unqualified persons may cause injury and/or more serious faults to the machine.
- This product should be serviced by an authorised Tricity Bendix Service Centre only, and only genuine Tricity Bendix spare parts should be used.

GENERAL SAFETY

- It is dangerous to modify the specifications of this appliance in any way.
- This appliance is designed to be used by adults. Children should not be allowed to touch the controls or play with the product.
- Pets and small children may climb into tumble dryers. Check your appliance each time before use.
- The door may be quite hot during the drying cycle. Keep children away from the appliance while it is in use.

1 Installation

- 1.1 You should position your dryer near a window so that warm damp air can escape.
- 1.2 We suggest you use a separate venting hose to avoid condensation. (A venting hose should be available from your dealer). (A permanent connection may be made with the optional Wall/Window Vent Kit).
- 1.3 Make sure that the air inlets at the back are not blocked and do not allow fluff to accumulate around your dryer.
- 1.4 Place the filter in its operating position as shown in diagram below.

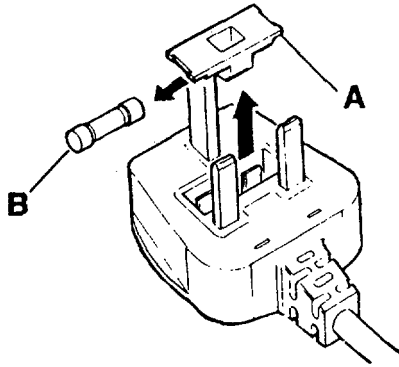


- 1.5 Remove any dust by wiping the drum and door with a damp cloth.
- 1.6 The dryer must be connected to its own socket. Do not use a two-way adaptor.
- 1.7 We recommend that the dryer is unplugged each time after use. It should always be disconnected from the electricity supply if it is to be left unattended for long periods e.g. holidays etc.

2 Electrical information

WARNING: THIS APPLIANCE MUST BE EARTHED.

- 2.1 The mains lead of this appliance is fitted with a BS 1363A 13 amp fused plug. To change a fuse in this type of plug use an A.S.T.A. approved fuse to BS 1362 type.



1. Remove the fuse cover (A) and fuse (B)
2. Fit replacement 13A fuse into fuse cover
3. Refit both into plug

IMPORTANT: The fuse cover must be refitted when changing a fuse and if the fuse cover is lost the plug must not be used until a correct replacement is fitted. Correct replacements are identified by the colour insert or the colour embossed in words on the base of the plug. They are available from most electrical retail shops.

- 2.2 If the fitted plug is not suitable for your socket outlet, then it should be cut off and disposed of in order to avoid a possible shock hazard should it be inserted into a 13A socket elsewhere. A suitable alternative plug should then be fitted to the cable.

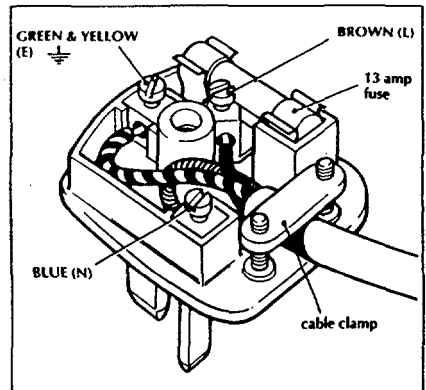
2.3 HOW TO CONNECT AN ALTERNATIVE PLUG.

The wires in this mains lead are coloured in accordance with the following code:—

BLUE — “NEUTRAL” (“N”)

BROWN — “LIVE” (“L”)

GREEN AND YELLOW — “EARTH” (“E”)

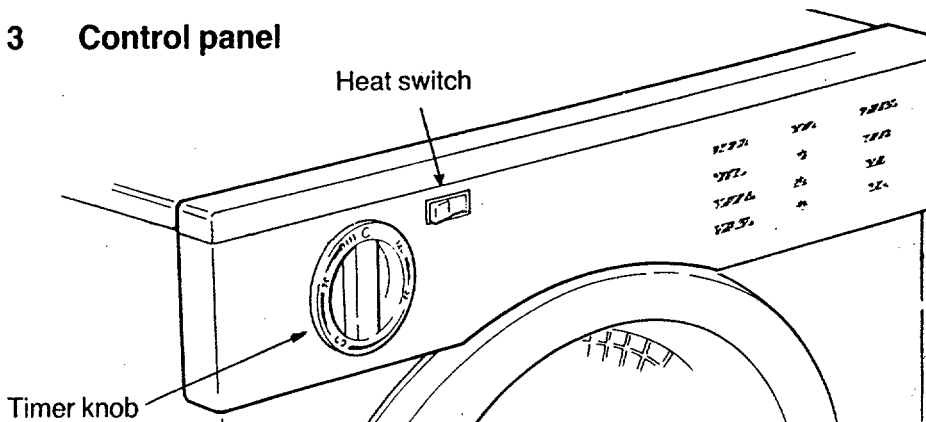


The GREEN AND YELLOW wire must be connected to the terminal in the plug which is marked with the letter "E" or by the Earth symbol \perp or coloured green or green and yellow.

The BLUE wire must be connected to the terminal marked with the letter "N" or coloured black.

The BROWN wire must be connected to the terminal which is marked with the letter "L" or coloured red.

3 Control panel



3.1 **The timer.** Select the drying time from the recommendations shown on the control panel. Turn the timer knob clockwise until the setting required appears at the top.

3.2 **The heat switch.** Select full or half heat as recommended on the control panel.

4 Operation

4.1 Roll dripping wet articles in a towel to remove excess water.
Sort out the clothes into groups of similar fabrics and colours. Check the care label inside the garment.

We suggest that a fabric conditioner be used to reduce static electricity.
Delicate articles e.g. tights should be placed inside a pillowcase.
It is better to dry small and large articles together.

4.2 Open the door.
Load clothes loosely into the drum.
Load sheets first starting with one corner.

4.3 Close the door.
Dry your hands.
Check that the timer is in the 'O' position.
Plug in the machine.

- 4.4 Select correct heat position (see programme chart on fascia panel).
Set the timer to the correct position (see programme chart on fascia panel).
The drum will now begin to rotate and stop when the timer automatically reaches the 'O' position.

Should the clothes become dry before the cycle has finished the sensor dry thermostat will automatically switch off the heater and prevent overdrying and save energy although the drum will still rotate.

There is an automatic 12 minute cool down period at the end of every cycle, during which the heater is switched off. This helps to minimise creasing.




- 4.5 When drying large items such as sheets, we suggest you stop the dryer to redistribute the load.

To stop the machine during the middle of the programme simply open the door; the drum will stop rotating automatically and restart when you close the door.

To lengthen or shorten the programme, turn the timer knob.

- 4.6 After removing the dried clothes clean the filter as follows:
- Pull the filter upwards.
 - Remove any thread or fluff by hand or with a soft brush.
 - Slide the filter back.
 - Wash the filter occasionally in detergent solution and with a soft brush remove small particles.
 - Disconnect from the electricity supply.

5 Care labels you may find on your fabrics

	'Tumble drying beneficial'
	'Do not tumble dry'
	'Dry flat'

6 Don'ts

Do not — Overload the dryer.

Do not — Dry articles singly as they tend to roll up and so increase drying time.

Do not — Dry woollen or wool mixture articles unless the article is labelled as suitable.

Do not — Allow venting hose (where applicable) or filter to become blocked.

Do not — Allow fluff to accumulate around the tumble dryer.

Do not — Attempt to dry dripping wet articles, or items containing foam rubber, or rubber-like materials in the dryer.

7 Any problems?

If the clothes are not dry after normal drying time:

— Check that the filter is clean.

— Check that you used the correct heater setting.

— Check that the venting hose is not blocked (sometimes a strong wind may cause a back pressure).

— Check that you have not set the timer within a cool down period.

If your machine does not work check the following before calling a service engineer:

— Check that there is a supply of electricity.

— Check that the machine is switched on and the door properly closed.

— Check the plug internal connections and fuse, if applicable.

8 Optional extras

Wall/Window Vent Kit to make a permanent installation through a wall or window. This accessory is available from your dealer/retailer.

9 Technical Data:

9.1 Overall dimensions: height 67 cm width 50 cm depth 53 cm.

9.2 Maximum dry weight of cotton, linen 3.0 kg. synthetics 1.5 kg.

9.3 For electrical ratings see plate on rear of machine.

9.4 This product is manufactured to comply with the radio interference requirements of the Council directive 82/499/EEC.

9.5 It is intended for domestic use and not for commercial applications such as hairdressers.

TRICITY BENDIX

we'll do the homework

TRICITY BENDIX, 99 OAKLEY ROAD, LUTON, BEDFORDSHIRE, LU4 9QQ.

A Division of Emaco Limited - Registered in England No. 176547 - Registered Office. 101 Oakley Road, Luton LU4 9RJ.

MODEL NO.

TM 330

PART NO.

4213 094 23731