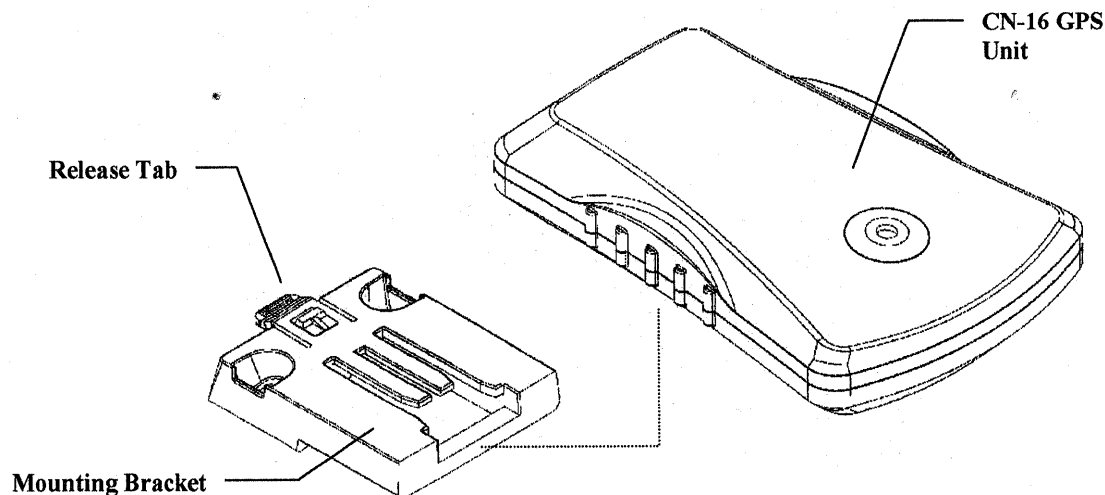




## #93963 - CN-16 GPS ACCESSORY

Your CN-16 GPS accessory gives your NexStar-i or CGE telescope fully automated GPS satellite assisted alignment capability. Controlled using the NexStar Computerized Hand Control (#93962), the CN-16 will link-up and download accurate time/date and location information and input it directly into the telescope's hand control for fully automated star alignments.



To attach the CN-16 GPS accessory to your NexStar-i telescope:

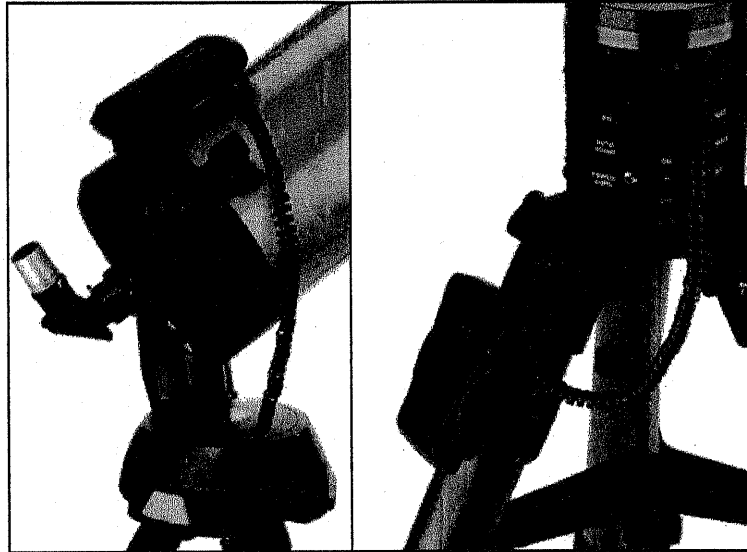
1. Remove the short screws from the top of the rear cell of the optical tube.
2. Place the mounting bracket over the holes on the rear cell and tighten down using the mounting screws provided.
3. Locate the slotted track on the bottom portion of the GPS accessory and slide the track over the tabs on the mounting bracket until it clicks into place. To remove the GPS unit hold down the release tab while sliding the GPS forward.
4. Plug the GPS cord into the Auxiliary port on the telescopes drive base. The red light on the GPS unit will be lit when the telescope is powered.

To attach the CN-16 GPS accessory to your CGE equatorial telescope:

1. Attach the Velcro mounting strap (included with your CGE mount) to one of the tripod legs.
2. Locate the slotted track on the bottom portion of the GPS accessory and slide the track over the tabs on the mounting bracket until it clicks into place. To remove the GPS unit hold down the release tab while sliding the GPS forward.
3. Plug the GPS cord into the Auxiliary port on the telescopes electronics panel. The red light on the GPS unit will be lit when the telescope is powered.

Before performing a GPS alignment, you will be asked to switch the GPS accessory “on” using the hand control. To turn the GPS on, press the MENU button on the hand control and scroll down to the *Utility* menu. Select *GPS ON/OFF* from the utility menu and choose “on”, then press ENTER. Follow the instructions in your owner’s manual for detailed instructions on GPS assisted alignments.

**Note:** Your CN-16 GPS unit uses a ball bearing level switch to level the optical tube with the ground. It is normal to be able to hear the ball bearing inside the unit when it is moved from side to side.



CN16 GPS Accessory shown attached to the NexStar-i Series (Left) and the CGE Equatorial Mount (Right).

Warranty: Two year limited warranty. See the Celestron Accessory Catalog (#93685) for complete warranty details or contact Celestron