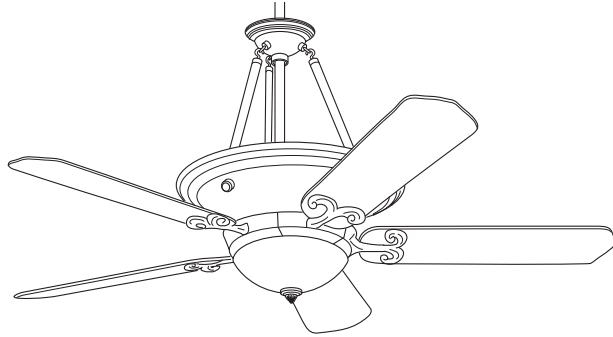


READ AND SAVE THESE INSTRUCTIONS



Net Weight: 29.5 Lbs.



RAPHAEL™ / RAPHAEL II™ Ceiling Fan Owner's Manual

Raphael Model No.

CF2600AB01
CF2600WB01
CF2600PW01

Raphael II Model No.

CF2650BC01
CF2650WB01
CF2650PW01

LIMITED WARRANTY

What The Warranty Covers:

This warranty covers the motor and the other components and accessories of your Emerson ceiling fan against all defects in workmanship and materials. You must be the original purchaser or user of the product to be covered.

What The Period Of Coverage Is:

As it applies to the motor, this warranty will last for a lifetime from the date you purchased your ceiling fan. All other components and accessories are covered by this warranty for one year from the date you purchased your ceiling fan. ANY IMPLIED WARRANTY OF MERCHANTABILITY OR FITNESS FOR A PARTICULAR PURPOSE, MADE WITH RESPECT TO COMPONENTS AND ACCESSORIES IS ALSO LIMITED TO ONE YEAR.

What Will Emerson Company Do To Correct Problems:

Emerson will replace a defective Emerson Air Comfort Ceiling Fan motor, blade, component or other accessory at no charge to you. If repair of the motor or blades is not practical or possible within a reasonable time and no replacement can be provided, Emerson will refund the actual purchase price of your fan. **WE WILL SHIP THE REPAIRED PRODUCT OR REPLACEMENT TO YOU AT NO CHARGE, BUT YOU ARE RESPONSIBLE FOR ALL COSTS OF REMOVAL, REINSTALLATION AND SHIPPING OF THE PRODUCT TO EMERSON.**

How Can You Get Service:

YOU MUST HAVE PROOF OF YOUR PURCHASE OF THE CEILING FAN TO OBTAIN LIMITED WARRANTY SERVICE. KEEP YOUR RECEIPT OR OTHER PROOF OF PURCHASE. You can return the product to our factory or to your nearest authorized service center.

- To return the product to the factory, obtain a return authorization and service identification tag by writing to Air Comfort Products, Division of Emerson Company, 8100 W. Florissant Ave., St. Louis, MO 63136. Include all model numbers shown on the product with your request.
- To return the product to an authorized service center, call 1-800-654-3545 for the address of the nearest authorized service center.

You will be responsible for all insurance, freight or other transportation charges to our factory or authorized service center. Your Emerson Air Comfort Ceiling Fan should be properly packed to avoid damage in transit since we will not be responsible for any such damage.

What Is Not Covered:

The glass globes and light bulbs of your ceiling fan are not covered by this warranty. This warranty also does not cover any defects, malfunctions or failures caused by:

- Repairs by persons not authorized by Emerson Company,
- Use of parts or accessories not authorized by Emerson Company,
- Mishandling, improper installation, modifications or damage to your ceiling fan while in your possession, or
- Unreasonable use, misuse, abuse, including failing to do reasonable and necessary maintenance, and normal wear and tear.

Additionally, this warranty and any implied warranty of merchantability or fitness for a particular purpose are voided when:

- The original purchaser or user ceases to own the product, or
- The fan is moved from its original point of installation.

This warranty is only valid within the 50 states of the United States and the District of Columbia. No other written or oral warranties apply, and no employee, agent, dealer or other person is authorized to give any warranties on behalf of Emerson Company.

REPAIR, REPLACEMENT OR A REFUND ARE THE EXCLUSIVE REMEDIES AVAILABLE UNDER THIS WARRANTY AND EMERSON COMPANY IS NOT RESPONSIBLE FOR DAMAGES OF ANY KIND, INCLUDING INCIDENTAL AND CONSEQUENTIAL DAMAGES. Incidental damages include but are not limited to such damages as loss of time and loss of use. Consequential damages include but are not limited to the cost of repairing or replacing other property which was damaged if this product does not work properly.

How State Law Relates To The Warranty:

Some states do not allow the exclusion or limitation of incidental or consequential damages so the above exclusion or limitation may not apply to you. This warranty gives you specific legal rights, and you may also have other rights which vary from state to state.

 **WARNING**

WARNING: To avoid fire, shock, and serious personal injury, follow these instructions.

Safety Instructions

1. Read your owner's manual carefully and keep it for future reference.
2. Before servicing or cleaning unit, switch power off at service panel and lock service panel disconnecting means to prevent power from being switched on accidentally. When the service disconnecting means cannot be locked, securely fasten a warning device, such as a tag, to the service panel.
3. Be careful of the fan and blades when cleaning, painting, or working near the fan. Always turn off the power to the ceiling fan before servicing.
4. Do not put anything into the fan blades while they are turning.
5. Do not operate reversing switch until fan blades have come to a complete stop.

Additional Safety Instructions for Installation

1. To avoid possible shock, be sure electricity is turned off at the fuse box before wiring, and do not operate fan without blades.
2. All wiring must satisfy National and Local Electrical Codes. Use the National Electrical Code if Local Codes do not exist. The ceiling fan must be grounded as a precaution against possible electrical shock. Electrical installation should be made or approved by a licensed electrician.
3. The outlet box and joist must be securely mounted and capable of reliably supporting at least 50 pounds. Use only U.L. outlet boxes listed as acceptable for fan support, and use the mounting screws provided with the outlet box. Most outlet boxes commonly used for support of light fixtures are not acceptable for fan support and may need to be replaced. Consult a qualified electrician if in doubt.
4. The downrod furnished with the fan provides the minimum recommended floor to fan blade clearance for an 8 foot ceiling.
5. The fan must be mounted with the fan blades at least 7 feet from the floor to prevent accidental contact with the fan blades.
6. Follow the recommended instructions for the proper method of wiring your ceiling fan. If you do not know enough about electrical wiring, have your fan installed by a licensed electrician.

WARNING: To avoid fire, shock or injury, do not use an Emerson or any other brand of control not specifically approved for this fan.

WARNING: This product is designed to use only those parts supplied with this product and/or any accessories designated specifically for use with this product by Emerson. Substitution of parts or accessories not designated for use with this product by Emerson could result in personal injury or property damage.

WARNING: To reduce the risk of personal injury, do not bend the blade flange when installing the blade flanges, balancing the blades or cleaning the fan. Do not insert foreign objects in between rotating fan blades.

DATE CODE: _____

The date code of this fan may be found on the box, stamped in ink on a white label.

You should record this data above and keep it in a safe place for future use.

This Manual Is Designed to Make it as Easy as Possible for You to Assemble, Install, Operate and Maintain Your Ceiling Fan

Tools Needed for Assembly

One Phillips head screwdriver One stepladder
Five wire connectors (supplied) One wire stripper

Installed Wire Length	Wire Size A.W.G.
Up to 50 ft.	14
50-100 ft.	12

MATERIALS

Wiring outlet box and box connectors must be of type required by the local code. The minimum wire would be a 3-conductor (2-wire with ground) of the following size:

⚠ WARNING

Before assembling your ceiling fan, refer to section on proper method of wiring your fan. If you feel you do not have enough wiring knowledge or experience, have your fan installed by a licensed electrician.

Unpacking Instructions

For your convenience, check-off boxes are provided next to each step. As each step is completed, place a check mark in the box. This will insure that all steps have been completed and will be helpful in finding your place should you be interrupted.

⚠ WARNING

Do not install or use fan if any part is damaged or missing. Call Toll-Free:

1-800-654-3545

⚠ WARNING

This product is designed to use only those parts supplied with this product and/or any accessories designated specifically for use with this product by Emerson. Substitution of parts or accessories not designated for use with this product by Emerson could result in personal injury or property damage.

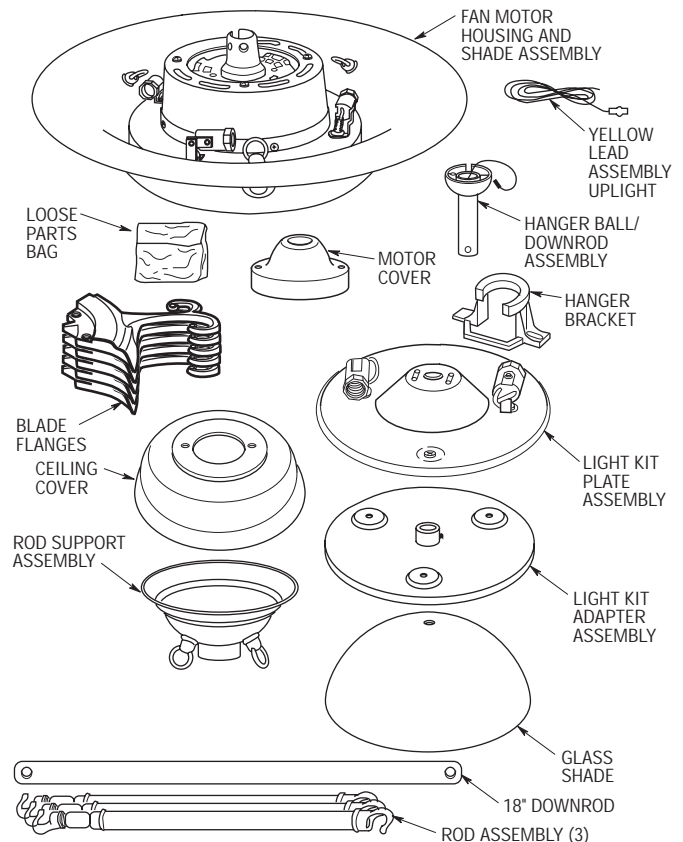
11. One finial nut
12. One hairpin clip
13. One clevis pin
14. Sixteen 10-32 x 3/8" pan head screws
15. Sixteen flat washers
16. One jumper assembly
17. One washer, motor shaft
18. One hex nut 1/8-27

NOTE: Place the parts from the loose parts bags in small containers to keep them from being lost. If any parts are missing, contact your local retailer or catalog outlet for replacement before proceeding.

NOTE: Fan blades are ordered separately and are packaged in separate carton.

1. Open carton containing your ceiling fan. Remove the top half of the styrofoam packing. Remove parts and check to see that you have received the following:

- a. Fan motor and shade assembly
- b. One motor cover
- c. One ceiling cover
- d. Five blade flanges
- e. One hanger ball/downrod assembly
- f. One hanger bracket
- g. One yellow lead assembly upright
- h. One downrod, 18" length
- i. Three rod assemblies
- j. One rod support assembly
- k. One light kit plate assembly
- l. One light kit adapter assembly
- m. One glass shade
- n. One loose parts bag containing:
 1. One setscrew
 2. One 5/32" hex wrench
 3. One 5/64" hex wrench
 4. Eleven 10-32 x 5/8" oval head screws
 5. Two 1" threaded studs
 6. Two 1-1/4" threaded studs
 7. Four knurled knobs
 8. Four lockwashers
 9. Five wire connectors
 10. Three 5/32-32 x 3/16" screws



Electrical Requirements

Your new ceiling fan will require a grounded electrical supply line of 120 volts AC, 60 Hz, 15 amp circuit.

The outlet box must be securely anchored and capable of withstanding a load of at least 50 pounds.

 **WARNING**

To reduce the risk of fire, electric shock, or personal injury, mount fan to outlet box marked acceptable for fan support, and use screws supplied with outlet box. Most outlet boxes commonly used for support of light fixtures are not acceptable for fan support and may need to be replaced. Consult a qualified electrician if in doubt.

If your fan is to replace an existing ceiling light fixture, turn electricity off at the main fuse box at this time and remove the existing light fixture.

 **WARNING**

Turning off wall switch is not sufficient. To avoid possible electrical shock, be sure electricity is turned off at the main fuse box before wiring. All wiring must be in accordance with national and local codes and the ceiling fan must be properly grounded as a precaution against possible electrical shock.

 **WARNING**

To avoid possible fire or shock, follow all wiring instructions carefully. Any electrical work not described in these instructions should be done or approved by a licensed electrician.

IMPORTANT INSTALLATION INFORMATION

Your ceiling fan contains a built-in uplight assembly in the motor housing. The fan and uplight may be controlled using one of the two following methods:

1. By an Emerson SR330 Remote Control or SW350 Wall Control.
2. By any other Emerson Fan/Light Controls or by Standard Wall Switches.

Because the procedures are widely different, they have been separated into different sections. Determine how you are going to control your fan, then select the appropriate Installation Section from the list below.

SECTION Title	Use	Page No.
1. Assembly Instructions for Installing the CF2600 and CF2650 Ceiling Fan with the Emerson SR330 Remote Control or the SW350 Wall Control	Section "A"	5
2. Assembly Instructions for Installing the CF2600 and CF2650 Ceiling Fan Controlled by Emerson Fan/Light Controls (other than SR330 or SW350) or Standard Wall Switches	Section "B"	10

SECTION A

Assembly Instructions for Installing the CF2600 and CF2650 Ceiling Fan with the Emerson SR330 Remote Control or the SW350 Wall Control

1. Obtain the hanger ball/downrod assembly and remove the hanger ball by loosening the setscrew in the hanger ball until the ball falls freely down the downrod (Figure 1A). Remove the pin from the downrod, then remove the hanger ball. Retain the pin and hanger ball for reinstallation in Step 16.

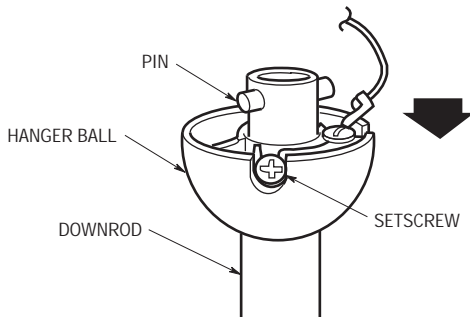


Figure 1A

2. Push the wiring harness connector (supplied with the SW375 Receiver), the connector on the blue wire (supplied with the SR330 or SW350 Control), and the connector on the yellow upright lead (supplied with the fan) through the downrod until they extend about 4" out of the pipe (Figure 2A).

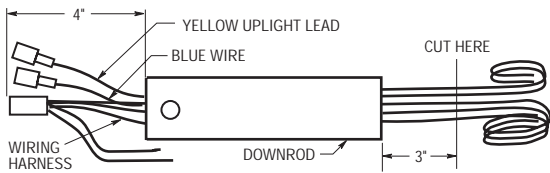


Figure 2A

3. Cut the harness wires approximately 3" from the end of the downrod (Figure 2A). Strip insulation 1/2" from end of wires.
4. Position the motor housing and shade assembly in the upper foam packing so that the top of the motor is facing you.
5. Separate, untwist and unkink the three motor leads.
6. Cut the white, blue and black wires about 3" above the motor coupling (Figure 3A). Strip insulation 1/2" from end of the white and blue wires. Install a wire connector on the black wire; this wire will not be used.

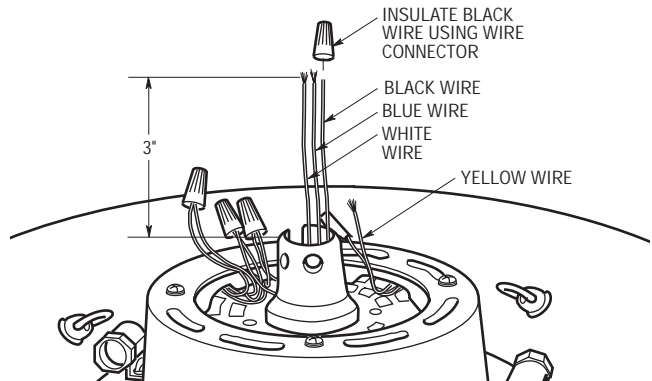


Figure 3A

7. Using wiring connectors (supplied), connect the white, blue and yellow wires from the downrod to the white, blue and yellow wires from the fan motor (Figure 4A and 6A). Wires must be connected color-to-color.

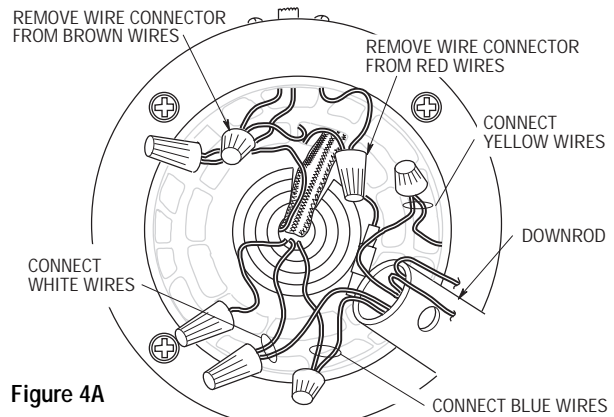


Figure 4A

8. Remove the wire connectors from the red wires and the brown wires (Figure 4A).
9. Cap the red and the brown wires **from the reversing switch** using a wire connector on each wire (Figure 5A).

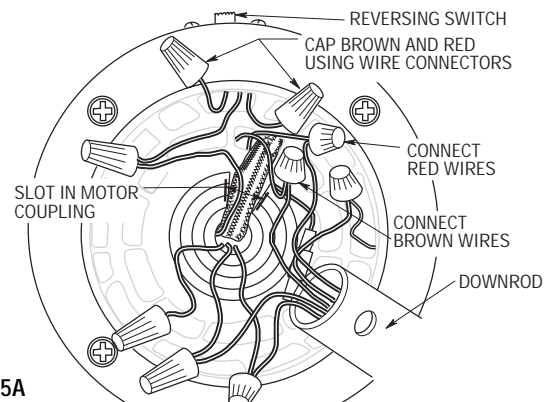


Figure 5A

10. Using wiring connectors (supplied), connect the red and brown wires from the downrod to the red and brown wires **from the fan motor** (Figure 5A and 6A). Wires must be connected color-to-color.

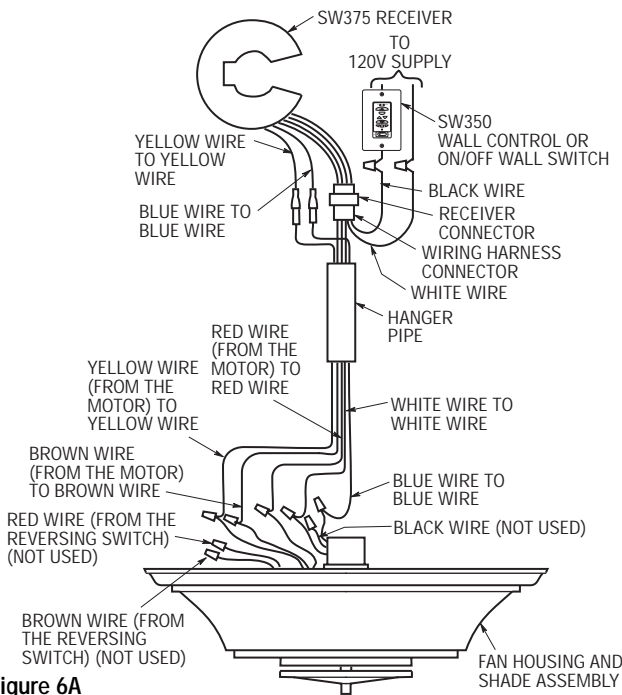


Figure 6A

- 11. Fold the wires from the downrod into the slot in the motor coupling (Figure 5A). Then slide the downrod down the wires and seat the downrod in the motor coupling.
- 12. Align the clevis pin holes in the downrod with the holes in the motor coupling. Install the clevis pin and secure with the hairpin clip. The clevis pin must go through the holes in the motor coupling and the holes in the downrod (Figure 7A). Push the straight leg of the hairpin clip through the hole near the end of the clevis pin until the curved portion of the hairpin clip snaps around the clevis pin. The hairpin clip must be properly installed to prevent the clevis pin from working loose.

⚠ WARNING

It is critical that the clevis pin in the motor coupling is properly installed and the setscrew securely tightened. Failure to verify that the pin is properly installed could result in the fan falling.

- 13. Install the setscrew (supplied) in the motor coupling and tighten using the 5/32" setscrew wrench (supplied) (Figure 7A).

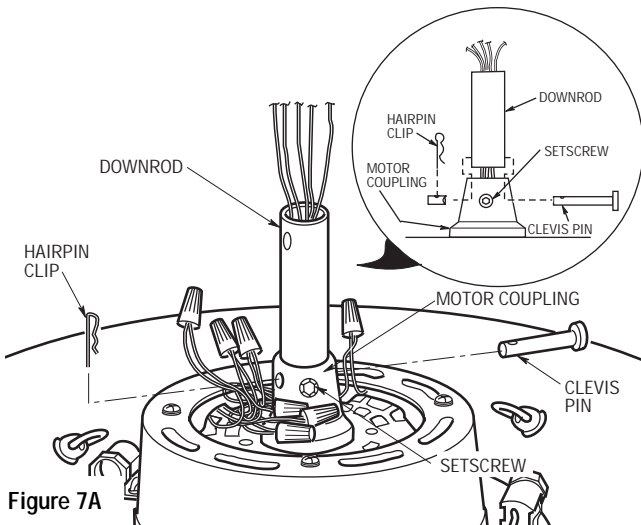


Figure 7A

- 14. Screw two 1" threaded studs (supplied) into the motor (Figure 8A). Leave approximately 7/8" of the stud extending above motor. Coil the wires and wire connectors around the motor coupling, then slide the motor cover over the downrod and rotate the cover until the threaded studs protrude. Install two lockwashers (supplied) and knurled knobs (supplied) to secure the cover to the motor. All wires and wire connectors must be enclosed under the motor cover.

NOTE: Lightly snug the knurled knob and make sure the wires and wire connectors are completely inside the motor coupling cover and not pinched between the motor coupling cover and the motor.

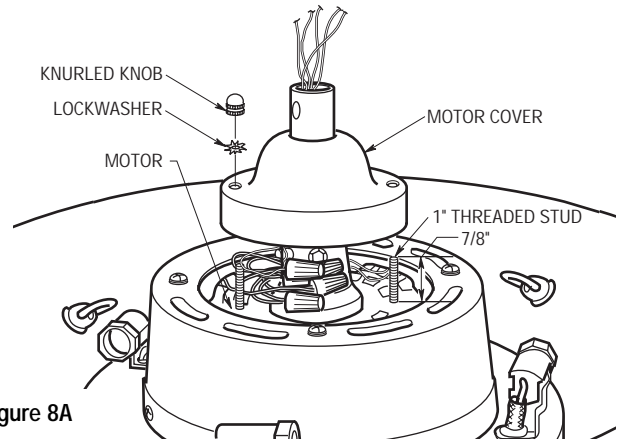


Figure 8A

IMPORTANT

- A. If you have installed an 18" or longer downrod and are planning to install the decorative support rods assembly, proceed to "INSTALLATION OF DECORATIVE SUPPORT RODS ASSEMBLY" on page 14. After you have installed the decorative support rods assembly, continue with the following installation procedures.
- B. If you have installed the 4-1/2" downrod, continue now with the following procedures.

- 15. Position the ceiling cover over the downrod. Be sure the cover is oriented correctly, with the large opening at the top (Figure 9A).

⚠ WARNING

It is critical that the pin in the hanger ball is properly installed and the setscrew securely tightened. Failure to verify that the pin and setscrew are properly installed could result in the fan falling.

- 16. Reinstall the hanger ball on the downrod as follows. Route the motor leads through the hanger ball and slide the hanger ball over the downrod (Figure 9A). Install the pin through the holes at the top of the downrod and slide the hanger ball up the downrod, aligning the ball so the pin is captured in the groove in the top of the hanger ball. Pull the hanger ball up tight against the pin and securely tighten the setscrew in the hanger ball. A loose setscrew could create fan wobble.

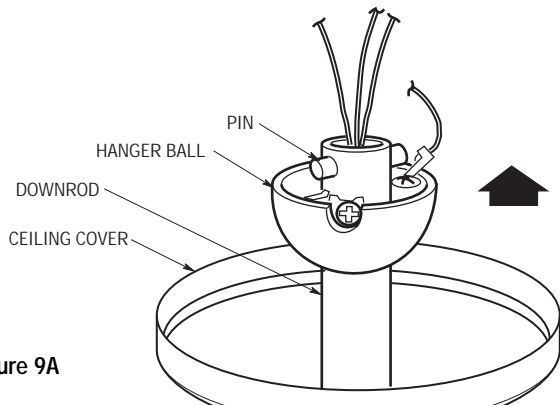


Figure 9A

- 17. Screw in four 60-watt (maximum) candelabra base lamps in the housing sockets (Figure 10A). Grasp the sockets and pivot them until the lamp bulbs are even with the top of the housing as shown. This will provide the optimum lighting effect.

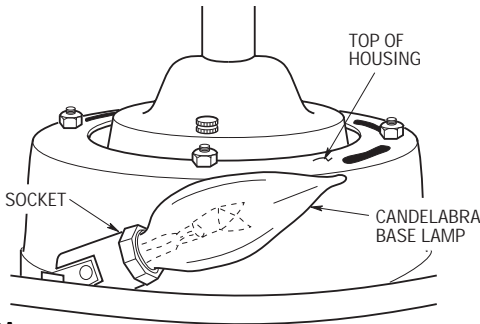


Figure 10A

⚠ WARNING

The fan must be hang with at least 7' of clearance from floor to blades (Figure 11A).

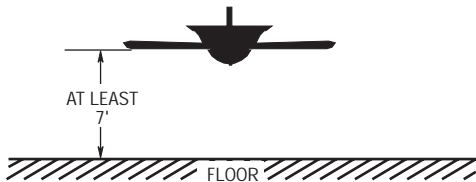


Figure 11A

⚠ WARNING

The outlet box must be securely anchored and capable of withstanding a load of at least 50 lbs.

- 18. Securely attach the hanger bracket to the outlet box using the two screws supplied with the outlet box (Figure 12A).

⚠ WARNING

To reduce the risk of fire, electric shock, or personal injury, mount fan to outlet box marked acceptable for fan support, and use screws supplied with outlet box. Most outlet boxes commonly used for support of light fixtures are not acceptable for fan support and may need to be replaced. Consult a qualified electrician if in doubt.

⚠ WARNING

Hanger bracket must seat firmly against outlet box. If the outlet box is recessed, remove wall board until bracket contacts box. If bracket and/or outlet box are not securely attached, the fan could wobble or fall.

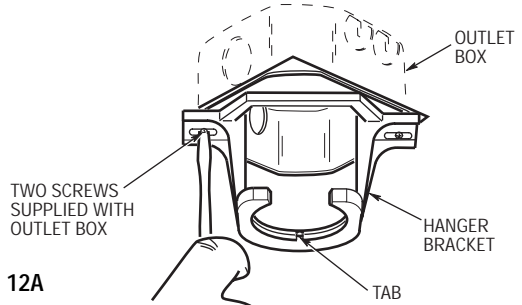


Figure 12A

- 19. Carefully lift the fan and seat the hanger ball/downrod assembly on the hanger bracket that was just attached to the outlet box (Figure 13A). Be sure the groove in the box is lined up with tab on the hanger bracket (Figure 12A).

⚠ WARNING

Failure to seat tab in groove could cause damage to electrical wires and possible shock or fire hazard.

NOTE: CEILING COVER, SUPPLY WIRES AND FAN WIRES OMITTED FOR CLARITY.

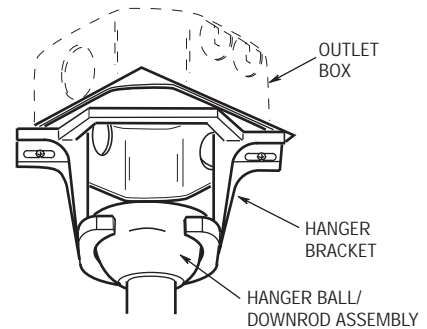


Figure 13A

⚠ WARNING

To avoid possible fire or shock, do not pinch wires between the hanger ball/downrod assembly and the hanger bracket.

⚠ WARNING

To avoid possible electrical shock, be sure electricity is turned off at the main fuse box before wiring.
NOTE: If you are not sure if the outlet box is grounded, contact a licensed electrician for advice, as it must be grounded for safe operation.

- 20. Screw two 1-1/4" threaded studs (supplied) into the tapped holes in the hanger bracket (Figure 14A).

- 21. Position the receiver by passing the opening in the receiver over the hanger pipe (Figure 14A).

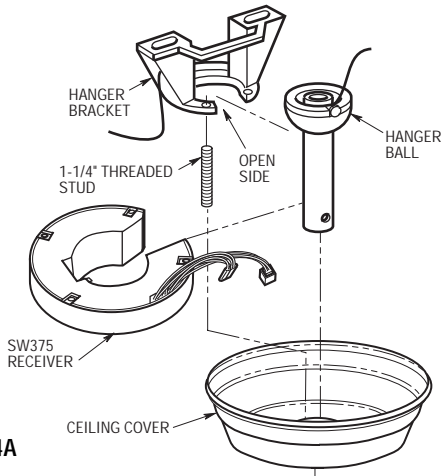


Figure 14A

- 22. Connect the black wire from the wiring harness to the black (hot) supply wire (Figure 6A). Connect the white wire from the wiring harness to the white (neutral) supply wire. Connect the green ground wires from the hanger bracket and the hanger ball to the supply ground wire. Use wire connectors (supplied).
- 23. Securely connect the wiring harness connector to the receiver connector, and connect the blue and yellow wires from the downrod to the blue and yellow wires from the receiver (Figure 6A).
- 24. Fold and position the wires into the space above the hanger ball and into the outlet box (Figure 14A).
- 25. Feed the wires and connectors through the open side of the hanger bracket, and into the outlet box. Slide the receiver up and over the hanger bracket. Press the receiver up and over the ceiling and hold it in place. Then lift the ceiling cover up to the threaded studs and turn until studs protrude through the holes in the ceiling cover (Figure 15A).
- 26. Secure the ceiling cover in place by sliding lockwashers (supplied) over the threaded studs and installing the two knurled knobs (supplied). (Figure 15A.) Tighten the knurled knobs securely until the ceiling cover fits snugly against the ceiling and the hole in the ceiling cover is clear of the downrod.

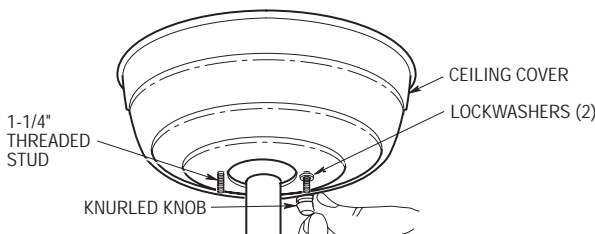


Figure 15A

▲ WARNING

To avoid possible fire or shock, make sure that the electrical wires are completely inside the outlet box and not pinched between the ceiling cover and the ceiling.

- 27. Use three 10-32 x 3/8" pan head screws and flat washers (supplied) to secure the flange to the blade (ordered separately) (Figure 16A). Repeat for the four remaining blades.
- 28. Use the 10 round recessed holes in the motor hub marked with "5" and install the five blade assemblies in accordance with Step 29.

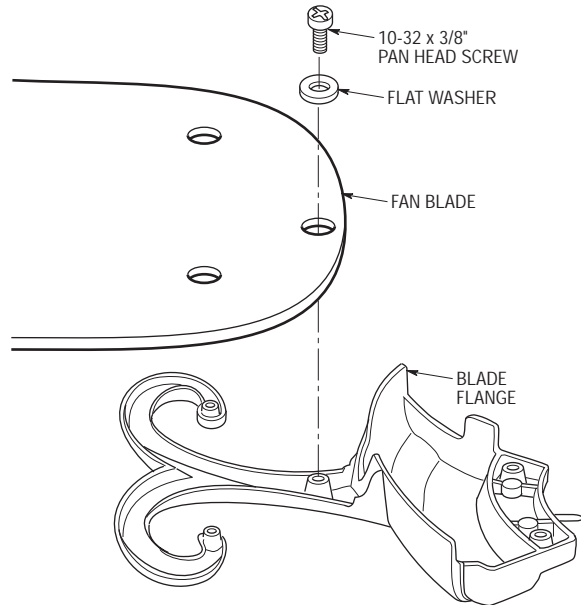


Figure 16A

- 29. Attach one blade assembly to the motor hub using two 10-32 x 5/8" oval head screws (supplied) (Figure 17A). Do not tighten completely at this time. Install remaining blade assemblies in the same way. Gently snug all flange screws to the motor hub, working around the hub in a clockwise sequence. Next, securely tighten all flange screws, again working in a clockwise sequence. Failure to follow this procedure could result in fan wobble. This completes the blade installation.
- 30. Pass the connectors and the wires from the motor shaft through the washer (supplied) and position the washer over the motor shaft (Figure 17A).

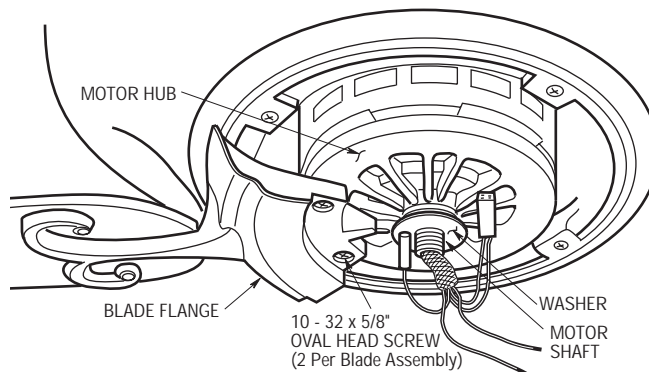


Figure 17A

- 31. Using the 5/64" hex wrench (supplied), loosen the setscrew in the collar on the light kit adapter assembly. Then pass the connectors and the wires from the motor shaft through the collar (Figure 18A). Screw the adapter assembly onto the motor shaft and then tighten the setscrew to secure the adapter assembly to the motor shaft. Connect the connectors from the motor shaft using the jumper assembly (supplied). Verify that the connectors are securely engaged.

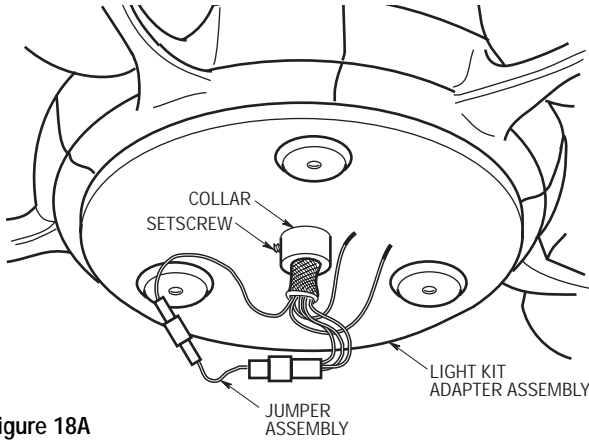


Figure 18A

- 32. Securely connect the black wire from the light kit plate assembly to the blue wire from the motor shaft using a wire connector (supplied) (Figure 19A). Connect the white wire from the plate assembly to the white wire from the motor shaft using a wire connector (supplied).

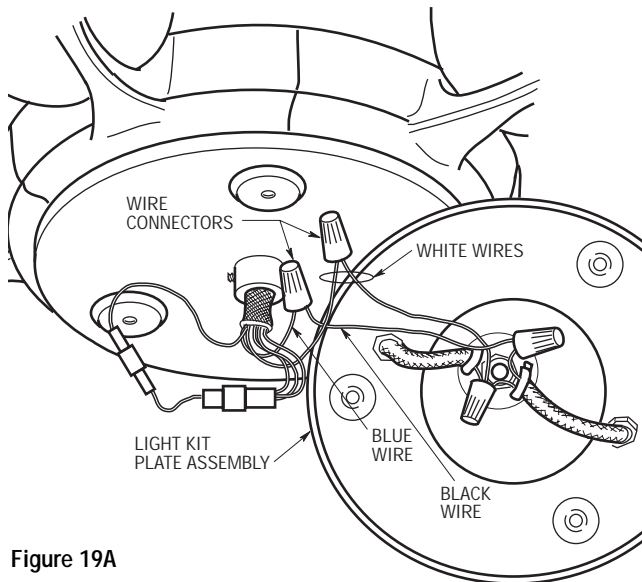


Figure 19A

NOTE: When installing the light kit plate assembly, position the wires and wire connectors in the raised center portion of the plate assembly. Do not pinch wires between the light kit plate assembly and the adapter assembly.

- 33. Secure the light kit plate assembly to the light kit adapter assembly by threading three 5/32-32 x 3/16" phillips head screws (supplied) into the threaded holes in the adapter assembly (Figure 20A).

- 34. Install two candelabra base lamps in the sockets of the light kit adapter plate (Figure 20A):
Model CF2600 - 15-Watt Maximum
Model CF2650 - 25-Watt Maximum
- 35. Position the glass shade over the threaded nipple in the light kit plate assembly (Figure 20A). Seat the glass shade evenly over the plate assembly and securely install the hex nut and finial nut (supplied) on the threaded nipple.

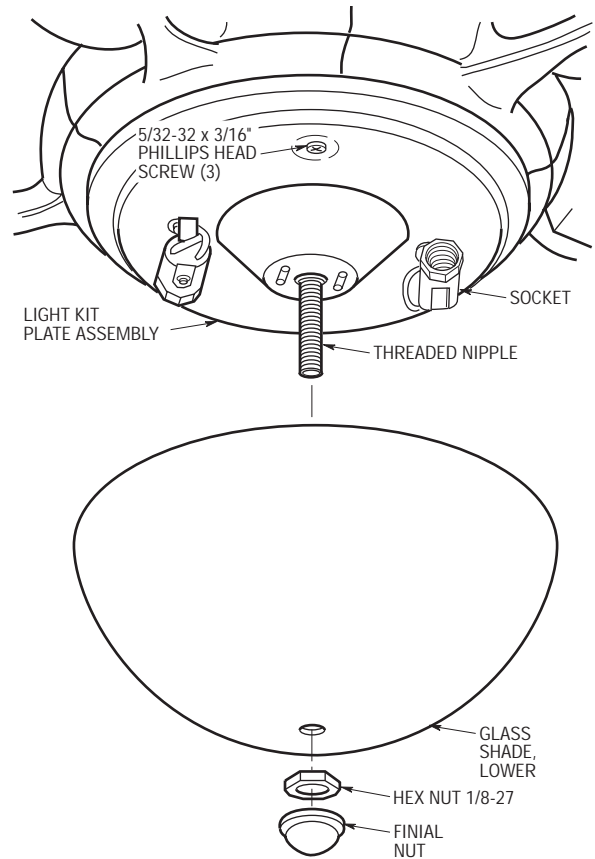


Figure 20A

SECTION B

Assembly Instructions for Installing the CF2600 and CF2650 Ceiling Fan Controlled by Emerson Fan/Light Controls (other than SR330 or SW350) or Standard Wall Switches

1. Position the motor housing and shade assembly in the foam packing so that the top for the motor is facing you.
2. Obtain the hanger ball/downrod assembly and remove the hanger ball by loosening the setscrew in the hanger ball until the ball falls freely down the downrod (Figure 1B). Remove the pin from the downrod, then remove the hanger ball. Retain the pin and hanger ball for reinstallation in Step 9. Discard 4-1/2" downrod if using 18" or longer downrod.

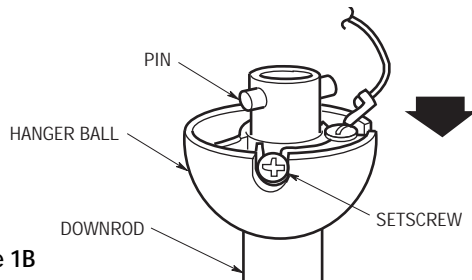


Figure 1B

3. Push the yellow upright lead connector through the downrod (Figure 2B) until it extends about 6".
4. Cut the yellow lead approximately 3" from the end of the downrod (Figure 2B). Strip insulation 1/2" from end of wire.

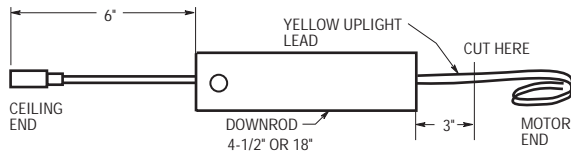


Figure 2B

5. Separate, untwist and unkink the three black, white and blue motor wires, then route the wires through the downrod.
6. Using wiring connectors (supplied), connect the yellow upright lead to the yellow wire from the downrod (Figure 3B). Fold the yellow wire into the slot in the motor coupling, slide the downrod down the wires and seat the downrod in the motor coupling.
7. Align the clevis pin holes in the downrod with the holes in the motor coupling. Install the clevis pin and secure with the hairpin clip (Figure 3B). The clevis pin must go through the holes in the motor coupling and the holes in the downrod. Push the straight leg of the hairpin clip through the hole near the end of the clevis pin until the curved portion of the hairpin clip snaps around the clevis pin. The hairpin clip must be properly installed to prevent the clevis pin from working loose.

⚠ WARNING

It is critical that the clevis pin in the motor coupling is properly installed and the setscrew securely tightened. Failure to verify that the pin and setscrew are properly installed could result in the fan falling.

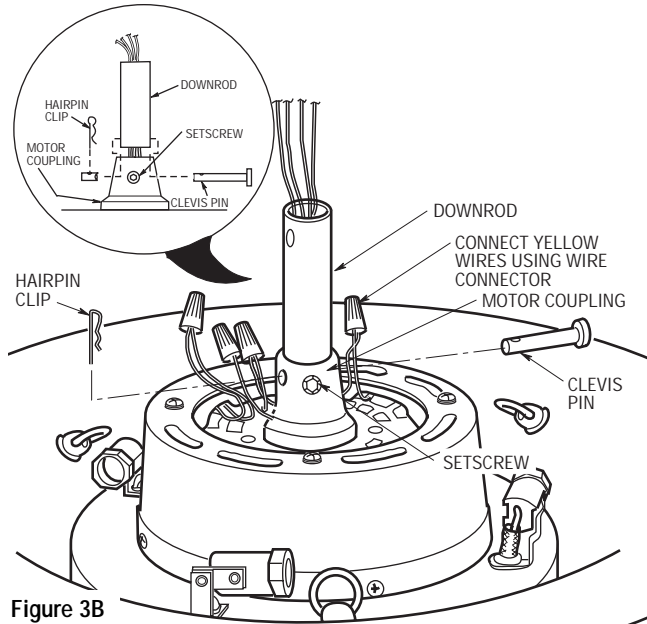
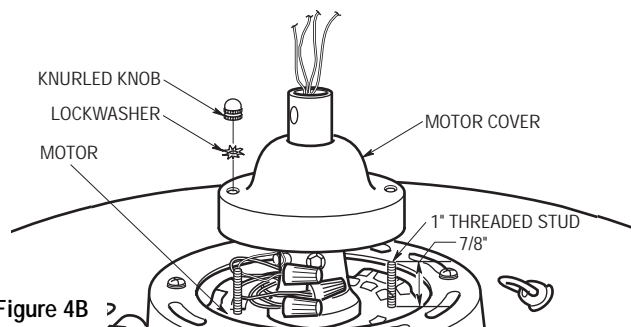


Figure 3B

8. Install the setscrew (supplied) in the motor coupling and tighten using the 5/32" setscrew wrench (supplied) (Figure 3B).
9. Screw two 1" threaded studs (provided) into the motor (Figure 4B). Leave approximately 7/8" of the stud extending above the motor. Coil the wires and wire connectors around the motor coupling, then slide the motor cover over the downrod and rotate the cover until the threaded studs protrude. Install two lockwashers (supplied) and knurled knobs (supplied) to secure the cover to the motor. All wires and wire connectors must be enclosed under the motor cover.

NOTE: Lightly snug the knurled knob and make sure the wires and wire connectors are completely inside the motor coupling cover and not pinched between the motor coupling cover and the motor.



10 Figure 4B

IMPORTANT

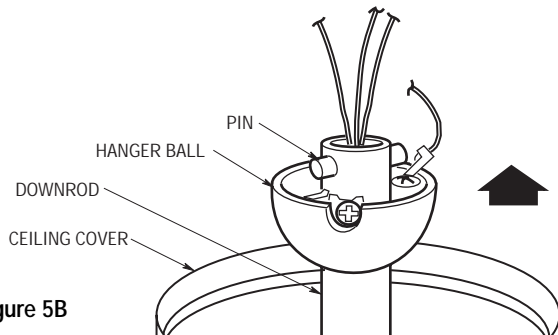
- A. If you have installed an 18" or longer downrod and are planning to install the decorative support rods assembly, proceed to "INSTALLATION OF DECORATIVE SUPPORT RODS ASSEMBLY" on page 14. After you have installed the decorative support rods assembly, continue with the following installation procedures.
- B. If you have installed the 4-1/2" downrod, continue now with the following procedures.

- 10. Position the ceiling cover over the downrod. Be sure the cover is oriented correctly, with the large opening at the top (Figure 5B).

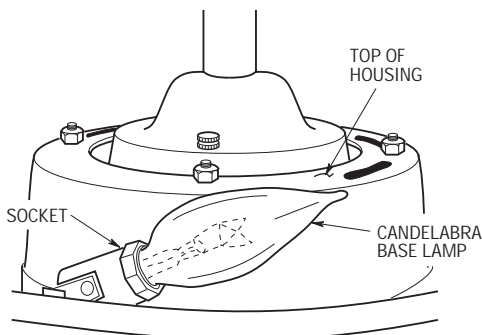
WARNING

It is critical that the pin in the hanger ball is properly installed and the setscrew securely tightened. Failure to verify that the pin and setscrew are properly installed could result in the fan falling.

- 11. Reinstall the hanger ball on the downrod as follows. Route the motor leads through the hanger ball and slide the hanger ball over the downrod (Figure 5B). Install the pin through the holes at the top of the downrod and slide the hanger ball up the downrod, aligning the ball so the pin is captured in the groove in the top of the hanger ball. Pull the hanger ball up tight against the pin and securely tighten the setscrew in the hanger ball. A loose setscrew could create fan wobble.



- 12. Screw in four 60-watt (maximum) candelabra base lamps in the housing sockets (Figure 6B). Grasp the sockets and pivot them until the lamp bulbs are even with the top of the housing as shown. This will provide the optimum lighting effect.



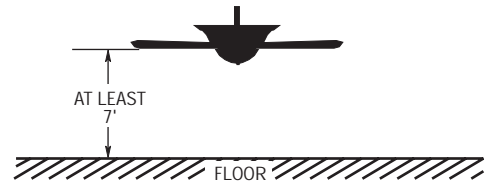
- 13. The blue, black and white leads exiting the downrod are 80-inches long. Before installing fan, measure up approximately 6 to 9-inches above the ball/downrod assembly. Cut off excess leads and strip back insulation 1/2-inch from end of leads.

NOTE: If you are installing your fan with a SR330 Remote Control or SW350 Wall Control, Do Not Cut Terminal Off of the Yellow Lead.

(See SECTION A.)

WARNING

The fan must be hang with at least 7' of clearance from floor to blades (Figure 7B).



WARNING

The outlet box must be securely anchored and capable of withstanding a load of at least 50 lbs.

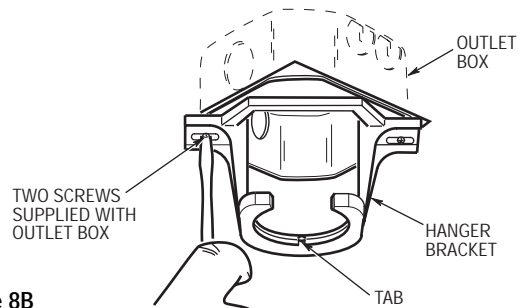
- 14. Securely attach the hanger bracket to the outlet box using the two screws supplied with the outlet box (Figure 8B).

WARNING

To reduce the risk of fire, electric shock, or personal injury, mount fan to outlet box marked acceptable for fan support, and use screws supplied with outlet box. Most outlet boxes commonly used for support of light fixtures are not acceptable for fan support and may need to be replaced. Consult a qualified electrician if in doubt.

WARNING

Hanger bracket must seat firmly against outlet box. If the outlet box is recessed, remove wall board until bracket contacts box. If bracket and/or outlet box are not securely attached, the fan could wobble or fall.



- 15. Carefully lift the fan and seat the hanger ball/downrod assembly on the hanger bracket that was just attached to the outlet box (Figure 9B). Be sure the groove in the ball is lined up with the tab on the hanger bracket (Figure 8B).

⚠ WARNING

Failure to seat tab in groove could cause damage to electrical wires and possible shock or fire hazard.

NOTE: CEILING COVER, SUPPLY WIRES AND FAN WIRES OMITTED FOR CLARITY.

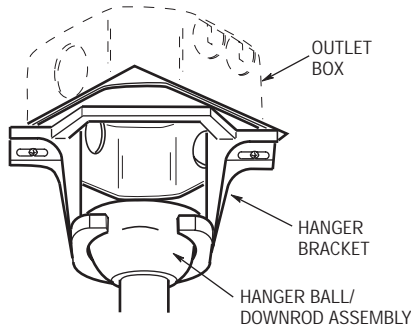


Figure 9B

⚠ WARNING

To avoid possible fire or shock, do not pinch wires between the hanger ball/downrod assembly and the hanger bracket.

⚠ WARNING

To avoid possible electrical shock, be sure electricity is turned off at the main fuse box before wiring.
NOTE: If you are not sure if the outlet box is grounded, contact a licensed electrician for advice, as it must be grounded for safe operation.

NOTE: If you are installing a SR330 Remote Control or a SW350 Wall Control to operate the fan and light, refer to the installation instructions and wiring diagrams shown in SECTION A or this Owner's Manual.

- 16. For a wall control installation you will need a three-wire (with ground) conductor cable between the ceiling and wall outlet boxes. This will allow you to control the fan separately from the lights. Figure 10B is a basic wiring diagram that will control the uplight and downlight on a switch and the fan on a separate control. Refer to the installation instructions and wiring diagrams supplied with the Emerson Fan Control Owner's Manual.

- a. Connect the green grounding lead from the hanger ball and the green grounding lead from the hanger bracket to the grounding conductor of supply (this may be a bare wire or a wire with green colored insulation). Securely connect wires with wire connector (supplied).
- b. Securely connect the white wire from the downrod to the supply white (neutral) wire using wire connector (supplied). Securely connect the black wire from the downrod to the supply black (hot) wire using wire connector (supplied).
- c. Cut terminal off of the yellow lead wire and strip insulation 1/2" from end of wire.

- d. Securely connect the blue wire and yellow wire from the downrod to the supply red (hot) wire using wire connector (supplied). After connections have been made, turn leads upward and carefully push leads into the outlet box, with the white and green leads on one side of the outlet box and the black, blue and yellow leads on the other side of the outlet box.

⚠ WARNING

Check to see that all connections are tight, including ground, and that no bare wire is visible at the wire connectors, except for the ground wire. Do not operate fan until blades are in place. Noise and fan damage could result.

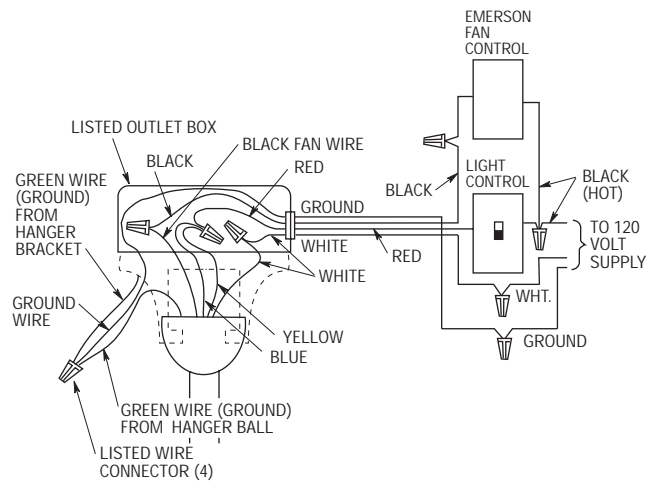


Figure 10B

- 17. Lift the ceiling cover up to the threaded studs and turn until studs protrude through the holes in the ceiling cover (Figure 11B).
- 18. Secure the ceiling cover in place by installing two lockwashers and two knurled knobs (supplied) (Figure 11B). Tighten the knurled knobs securely until the ceiling cover fits snugly against the ceiling and the hole in the ceiling cover is clear of the downrod.

⚠ WARNING

To avoid possible fire or shock, make sure that the electrical wires are completely inside the outlet box and not pinched between the ceiling cover and the ceiling.

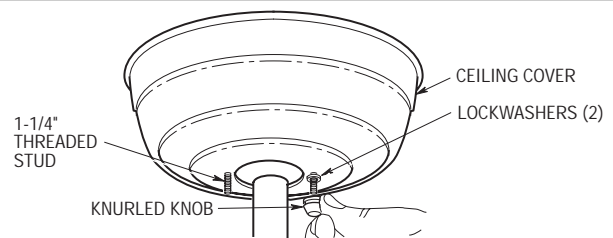


Figure 11B

- 19. Use three 10-32 x 3/8" pan head screws and flat washers (supplied) to secure the flange to the blade (ordered separately) (Figure 12B). Repeat for the four remaining blades.
- 20. Use the 10 round recessed holes in the motor hub marked with "5" and install the five blade assemblies in accordance with Step 21.

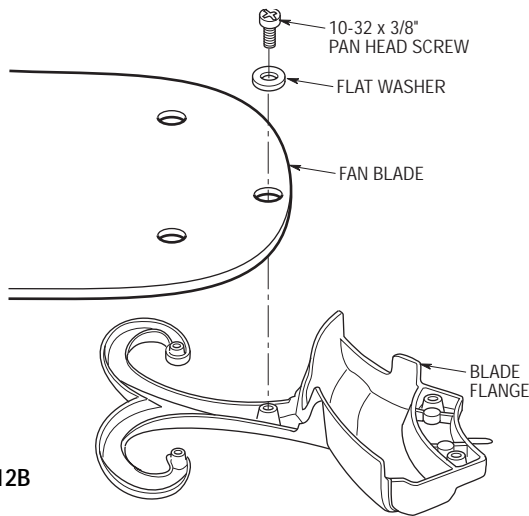


Figure 12B

- 21. Attach one blade assembly to the motor hub using two 10-32 x 5/8" oval head screws (supplied) (Figure 13B). Do not tighten completely at this time. Install remaining blade assemblies in the same way. Gently snug all flange screws to the motor hub, working around the hub in a clockwise sequence. Next, securely tighten all flange screws, again working in a clockwise sequence. Failure to follow this procedure could result in fan wobble. This completes the blade installation.

- 22. Pass the connectors and the wires from the motor shaft through the washer (supplied) and position the washer over the motor shaft (Figure 13B).

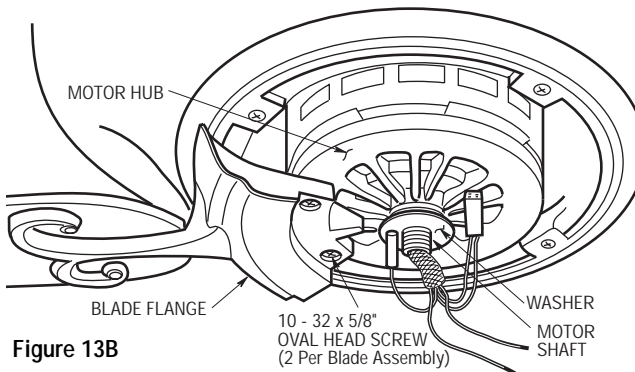


Figure 13B

- 23. Using the 5/64" hex wrench (supplied), loosen the setscrew in the collar on the light kit adapter assembly. Then pass the connectors and the wires from the motor shaft through the collar (Figure 14B). Screw the adapter assembly onto the motor shaft and then tighten the setscrew to secure the adapter assembly to the motor shaft. Connect the connectors from the motor shaft using the jumper assembly (supplied). Verify that the connectors are securely engaged.

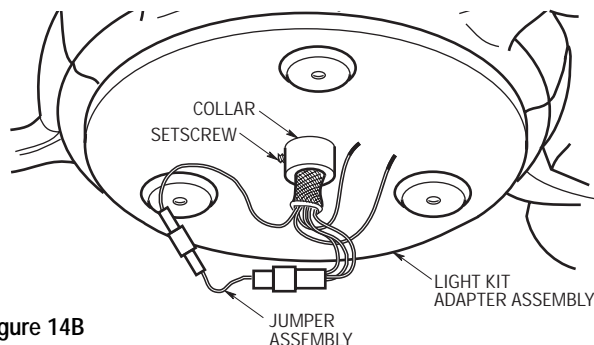


Figure 14B

- 24. Securely connect the black wire from the light kit plate assembly to the blue wire from the motor shaft using a wire connector (supplied) (Figure 15B). Connect the white wire from the plate assembly to the white wire from the motor shaft using a wire connector (supplied).

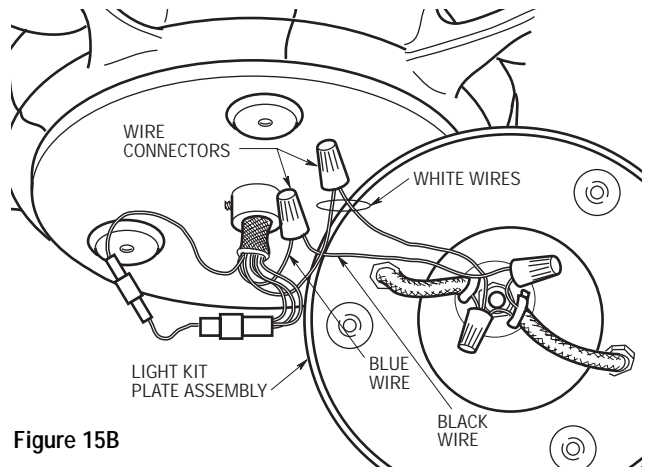


Figure 15B

NOTE: When installing the light kit plate assembly, position the wires and wire connectors in the raised center portion of the plate assembly. Do not pinch wires between the light kit plate assembly and the adapter assembly.

- 25. Secure the light kit plate assembly to the light kit adapter assembly by threading three 5/32-32 x 3/16" phillips head screws (supplied) into the threaded holes in the adapter assembly (Figure 16B).

- 26. Install two candelabra base lamps in the sockets of the light kit adapter plate (Figure 16B):
Model CF2600 - 15-Watt Maximum
Model CF2650 - 25-Watt Maximum

- 27. Position the glass shade over the threaded nipple in the light kit plate assembly (Figure 16B). Seat the glass shade evenly over the plate assembly and securely install the hex nut and finial nut (supplied) on the threaded nipple.

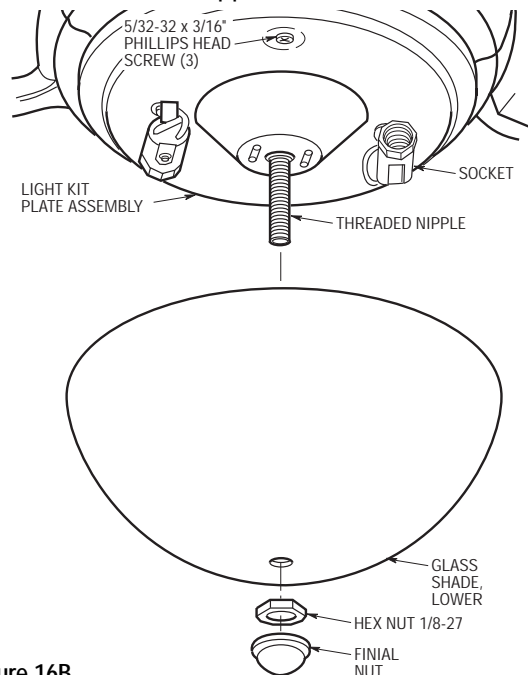


Figure 16B

Installation of the Decorative Support Rods Assembly

NOTE: The following procedures are to be performed only if you have installed the 18" or longer downrod.

- 1. Loosen the setscrew in the collar of the rod support assembly using the 5/64" hex wrench (supplied) and slide the support assembly over the downrod (Figure 1).

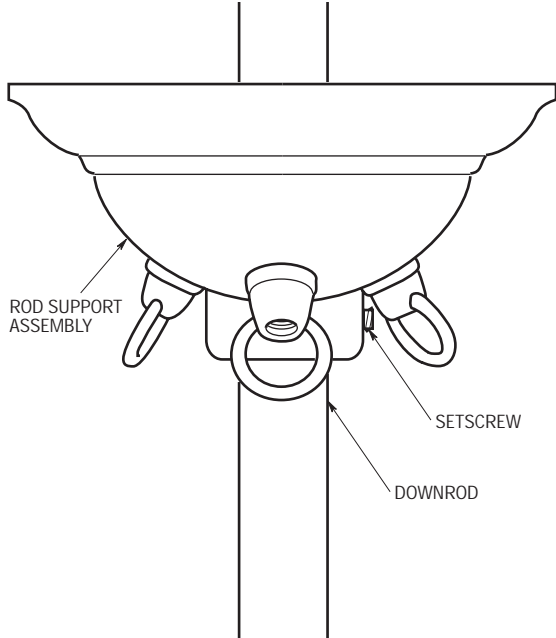


Figure 1

- 2. Verify that three or four threads are visible between the bottom hook and the barrel of the rod assembly (Figure 2). If necessary, turn barrel to expose more threads. Check all rod assemblies.
- 3. Engage the rod hook with the ring in the shade assembly (Figure 2).

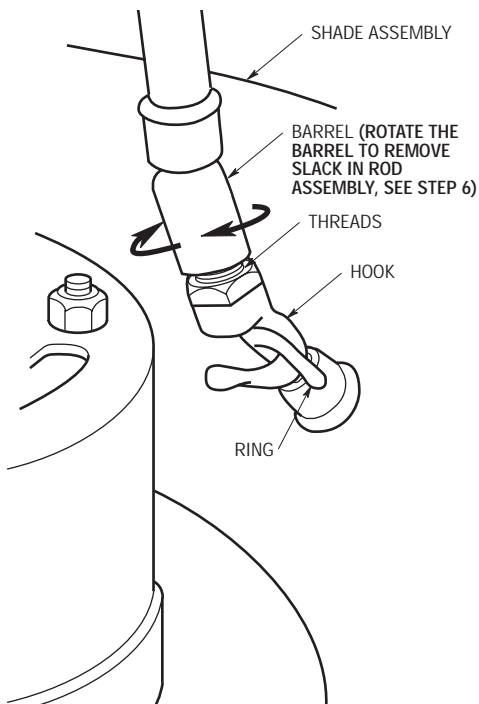


Figure 2

- 4. Raise the rod support assembly and loosely engage the rod hook with one of the rings on the support assembly (Figure 3). Then tighten the setscrew using the 5/64" setscrew.

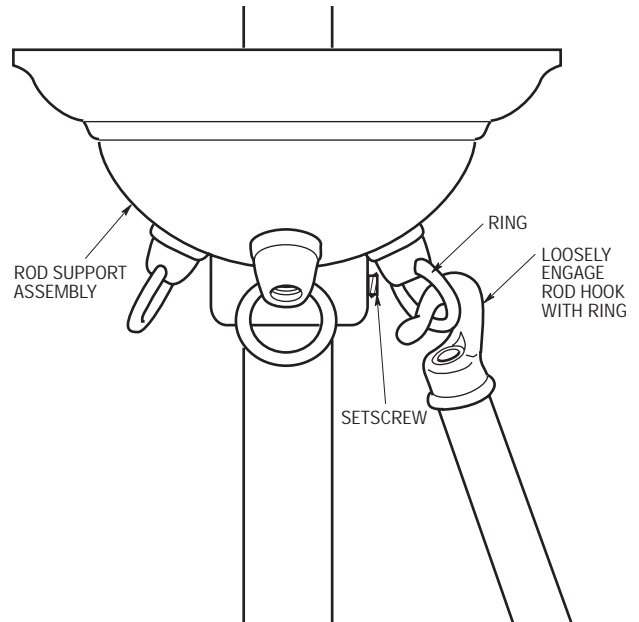
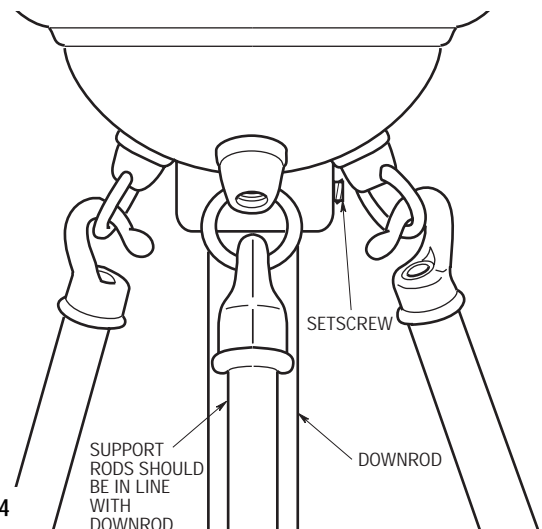


Figure 3

- 5. Engage the other two support rods in the same manner as above. Loosen the setscrew and raise the rod support assembly until the support rods are taut and in line with the downrod (Figure 4). Then securely tighten the setscrew using the 5/64" hex wrench.
- 6. Tighten (rotate) the barrels of the rod assemblies to take up any slack, thereby reducing the chance of noise due to vibration when the fan is operating (Figure 2).

CAUTION: To avoid breaking the glass shade, do not over tighten the rods.

NOTE: The decorative support rods are now installed and the fan is ready for further installation. Continue with Step 15 in SECTION A, or Step 10 in SECTION B.



14 Figure 4

Using Your Ceiling Fan

- 1. Restore electrical power to the outlet box by turning the electricity on at the main fuse box.
- 2. Check the operation of the fan and lights by using the wall controls or the remote control.
- 3. If airflow is desired in the opposite direction, turn your fan off and wait for the blades to stop turning. Then slide the reversing switch (located on top of the housing) to the opposite position and turn the fan on again. The fan blades will turn in the opposite direction and reverse airflow.

Maintenance

IMPORTANT CARE INSTRUCTIONS for your Ceiling Fan

Periodic cleaning of your new ceiling fan is the only maintenance that is needed.

When cleaning, use only a soft brush or lint free cloth to avoid scratching the finish.

Abrasive cleaning agents are not required and should be avoided to prevent damage to finish.

WARNING

Do not use water when cleaning your ceiling fan. It could damage the motor or the blades and create the possibility of an electrical shock.

Accessories

- 1. Ceiling Fan Controls (see store or catalog).
- 2. Downrod Extension Kits (see store or catalog).

WARNING

The use of any other control not specifically approved for this fan could result in fire, shock and personal injury.

WARNING

This product is designed to use only those parts supplied with this product and/or any accessories designated specifically for use with this product by Emerson. Substitution of parts or accessories not designated for use with this product by Emerson could result in personal injury or property damage.

Before discarding packaging material, be certain all parts have been removed.

HOW TO ORDER REPAIR PARTS



WHEN ORDERING REPAIR PARTS, ALWAYS GIVE THE FOLLOWING INFORMATION:

- PART NUMBER
- PART DESCRIPTION
- NAME OF ITEM
- MODEL NUMBER

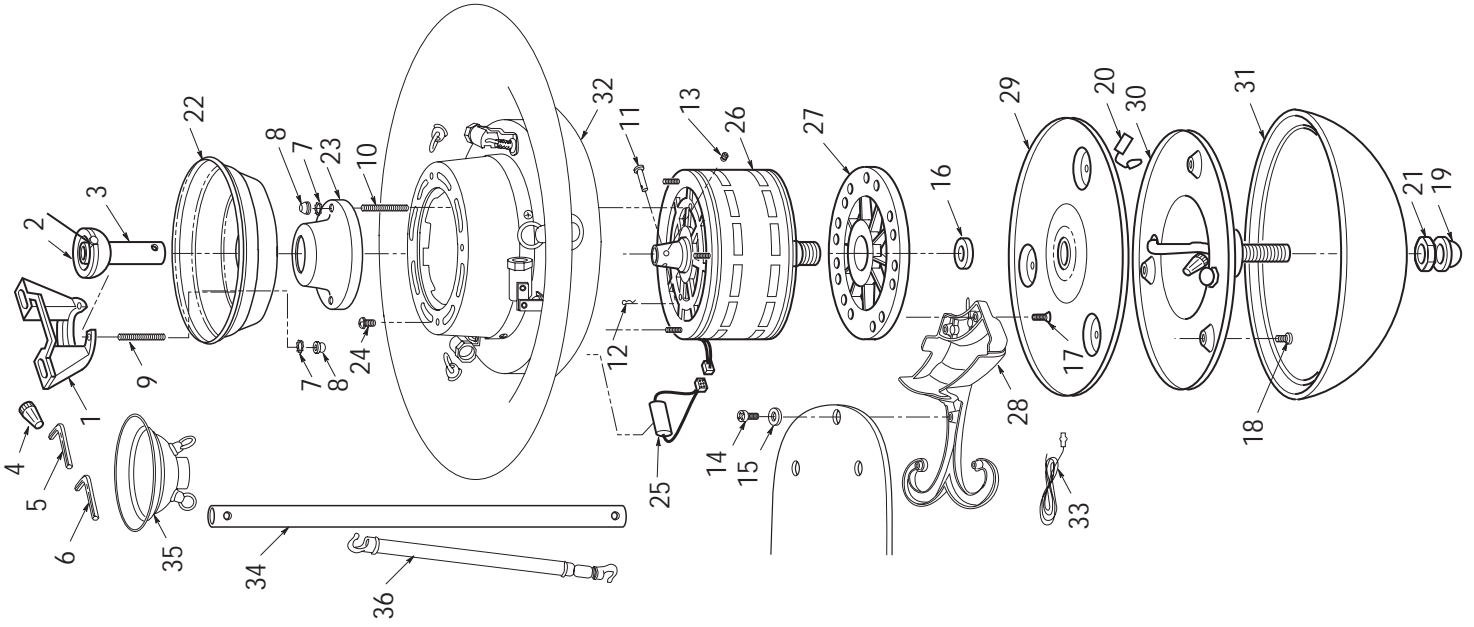
For repair parts, phone 1-800-654-3545.

 **WARNING: For your own safety, turn off power at fuse box or circuit breaker before trouble shooting your fan.**

Trouble Shooting

TROUBLE	PROBABLE CAUSE	SUGGESTED REMEDY
1. Fan will not start.	<ol style="list-style-type: none"> 1. Fuse or circuit breaker blown. 2. Loose power line connections to the fan, or loose switch wire connections in the switch housing. 	<ol style="list-style-type: none"> 1. Check main and branch circuit fuses or circuit breakers.  WARNING: Make sure main power is turned off. 2. Check line wire connections to fan and switch wire connections in the switch housing.
2. Fan sounds noisy.	<ol style="list-style-type: none"> 1. Blades not attached to fan. 2. Support rods loose. 3. Screws securing fan blade flanges to motor hub are loose. 4. Wire connectors inside switch housing rattling. 5. Screws holding blades to flanges are loose. 	<ol style="list-style-type: none"> 1. Attach blades to fan before operating. 2. Tighten the barrels of the rod assemblies. 3. Check to make sure the screws which attach the fan flanges to the motor hub are tight.  WARNING: Make sure main power is turned off. 4. Check to make sure wire connectors in switch housing are not rattling against each other or against the interior wall of the switch housing. 5. Tighten screws securely.
3. Fan wobbles excessively	<ol style="list-style-type: none"> 1. Setscrew in motor coupling is loose. 2. Setscrew in hanger ball/downrod assembly is loose. 3. Screws securing fan blade flanges to motor hub are loose. 4. Fan blade flanges not seated properly. 5. Hanger bracket and/or ceiling outlet box is not securely fastened. 6. Fan blades out of balance. 	<ol style="list-style-type: none"> 1. Raise motor cover and tighten setscrew securely. 2. Tighten the setscrew in the hanger ball/downrod assembly. 3. Check to be sure screws which attach the fan blade flanges to the motor hub are tight. 4. Check to be sure the fan blade flanges seat firmly and uniformly to the surface of the motor hub. If flanges are seated incorrectly, loosen the flange screws and retighten according to Step 29 in SECTION A or Step 21 in SECTION B. 5. Tighten the hanger bracket screws to the outlet box, and/or secure outlet box. 6. Interchanging an adjacent (side-by-side) blade pair can redistribute the weight and result in smoother operation. Or use supplied balancing kit to balance blades.

Repair Parts Listing



Key No.	Description	Raphael Part Numbers			Raphael II Part Numbers		
		Model No. CF2600AB01	Model No. CF2600WB01	Model No. CF2600PW01	Model No. CF2650BC01	Model No. CF2650WB01	Model No. CF2650PW01
1	Hanger Bracket Assembly	760732	760732	760732	760732	760732	760732
2	Hanger Ball Assembly, Consisting of:	761632-3	761632-19	761632-23	761632-31	761632-19	761632-23
3	Hanger Ball(1)	—	—	—	—	—	—
3	Downrod (1)	—	—	—	—	—	—
*	Parts Bag, Containing:	762137	762137-1	762137-2	762137-3	762137-1	762137-2
4	Wire Connector (5)	—	—	—	—	—	—
5	Setscrew Wrench, 5/32" (1)	—	—	—	—	—	—
6	Setscrew Wrench, 5/64" (1)	—	—	—	—	—	—
7	Lockwasher (4)	—	—	—	—	—	—
8	Knob, Knurled (4)	—	—	—	—	—	—
9	Stud, Threaded, 1-1/4" (2)	—	—	—	—	—	—
10	Stud, Threaded, 1" (2)	—	—	—	—	—	—
11	Pin, Clevis (1)	—	—	—	—	—	—
12	Clip, Hairpin (1)	—	—	—	—	—	—
13	Setscrew (1)	—	—	—	—	—	—
14	Screw, 10-32 x 3/8" (16)	—	—	—	—	—	—
15	Washer, Flat (16)	—	—	—	—	—	—
16	Washer, Motor Shaft	—	—	—	—	—	—
17	Screw, 10-32 x 5/8" (11)	—	—	—	—	—	—
18	Screw, 5/32-32 x 3/16" (3)	—	—	—	—	—	—
19	Nut, Finial (1)	—	—	—	—	—	—
20	Jumper Assembly	—	—	—	—	—	—
21	Hex Nut	—	—	—	—	—	—
22	Cover, Ceiling	761620-3	761620-26	761620-30	761620-32	761620-26	761620-30
23	Cover, Motor	761621-3	761621-17	761621-21	761621-23	761621-17	761621-21
24	Screw, #8 Washerhead (4)	—	—	—	—	—	—
25	Capacitor, 9 mfd	762117	762117	762117	762117	762117	762117
26	Motor	762304	762304	762304	762304	762304	762304
27	Hub, Motor	760601	760601	760601	760601	760601	760601
28	Flange Set (Full set for one fan)	762105	762105-1	762105-2	762105-3	762105-1	762105-2
29	Adapter Assembly, Light Kit	762094	762094	762094	762094	762094	762094
30	Plate Assembly, Light Kit	762125	762125	762125	762398	762398	762398
31	Glass Shade, Lower	762096	762096	762096	762340	762340	762340
32	Glass Shade, Upper	762097	762097	762097	762339	762339	762339
33	Lead Assembly Upright (Yellow)	761790	761790	761790	761790	761790	761790
34	Downrod, 18"	760239-40	760239-146	760239-161	760239-198	760239-146	760239-161
35	Support Assembly, Rod	762131	762131-1	762131-2	762131-3	762131-1	762131-2
36	Rod Assembly (3)	762133	762133-1	762133-2	762133-3	762133-1	762133-2
—	Owner's Manual	BP7251-4	BP7251-4	BP7251-4	BP7251-4	BP7251-4	BP7251-4