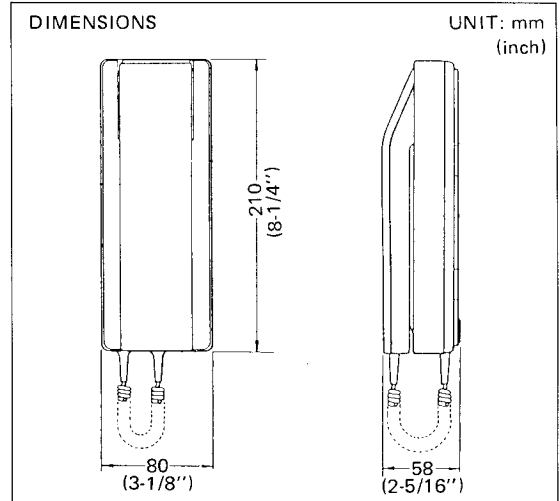
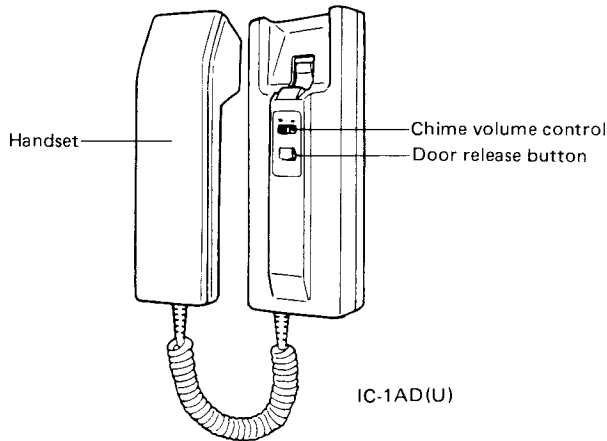


CHIME TONE INTERCOM

TYPE: 1 DOOR – 1 ROOM

MODEL: IC-1AD(U) (AC12-16V, 50/60Hz, or DC12-24V)

– INSTRUCTIONS –



FEATURES

- * Simultaneous communication system for 1 each door station, room station and door release.
- * Can be powered by a single bell transformer for both communication and door release.
- * May be combined with MC-D/MC-U Video Intercom System (hanging up handset shuts off video monitor).
- * Melodic 4-stroke chime with volume control.
- * Call extension device to announce a chime call from any door in a place remote from room station.
- * Select a most suitable door station from IC-series door stations.

SPECIFICATIONS

- * Power source: IC-1AD(U); May be powered by a bell transformer AC12-16V, 135 mA or more OR a power supply DC12-24V, 150 mA or more.
- * Current consumption: 135 mA maximum (AC12-16V). 150 mA maximum (DC12-24V).
- * Wiring and communication distance: Single pair of wires.
Select the proper wire gauge to meet your requirements from the chart below:

Diameter of wires	0.5 mm	0.65 mm	0.8 mm	1.0 mm	AWG	24 AWG	22 AWG	20 AWG	18 AWG
Distance	90 m	150 m	230 m	360 m	Distance	300'	500'	750'	1,180'

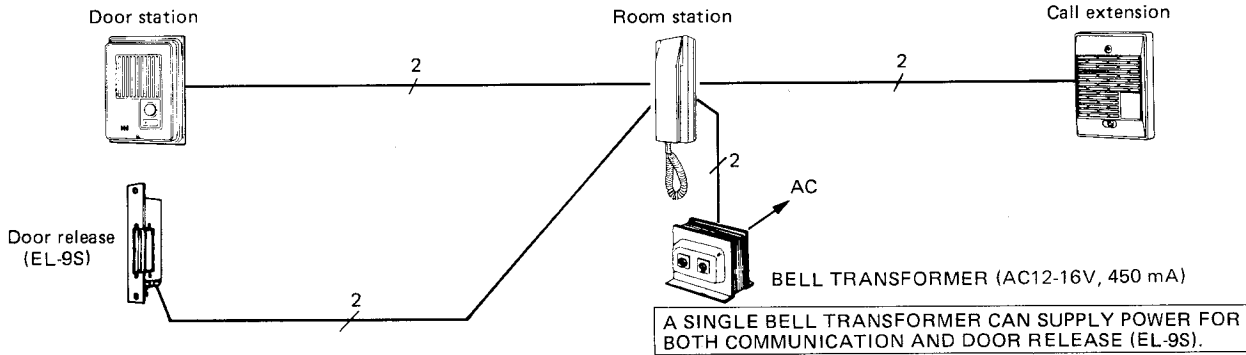
- * Door release: Use a door release EL-9S (AC12V, 250 mA) or of other manufacture, which does not exceed AC12-16V, 500 mA when powered by a system's bell transformer.
- * Bell transformer for both communication and door release: AC12-16V, 450 mA or more (for EL-9S). AC12-16V, 700 mA or more (for other manufacture's).

BEFORE YOU INSTALL AND OPERATE THE EQUIPMENT – Prohibitions and precautions –

- * Operation;
 - 1. DO NOT HOLD HOOK SWITCH DOWN WHILE PICKING UP HANDSET. THE CHIME TONE SOUNDS THRU THE HANDSET RECEIVER ELEMENT AND COULD CAUSE HEARING DAMAGE.**
- * Installation;
 - 1. DO NOT CONNECT ANY TERMINAL ON ANY UNIT TO AC POWER LINES.**
When you mount IC-1AD(U) in place of existing bell or chime, be sure to disconnect wires from the present transformer.
 - Be sure to disconnect wires from bell transformer (or power supply) before you open the IC-1AD(U) unit or make wiring connections.
 - Avoid running the connecting wires thru doors, windows or between furniture, which may pinch and disconnect the wires.
 - IC-1AD(U) equipment must be installed in as dry and dust-free environment as possible.
- * Maintenance;
 - Clean your IC-1AD(U) equipment with a soft cloth dampened with neutral household cleanser. Never use thinner nor benzine, etc.
 - Do not splash water on the door station by hose, etc.

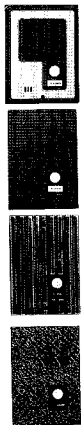


SYSTEM LAYOUT



COMPONENTS AVAILABLE

* Door stations: Select either type from the IC series door stations;

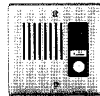


IC-DC: w/plastic cover. Surface-mount.

IC-NA: w/plastic cover. Semi-flush mount.

IC-RA: w/brown metal cover. Semi-flush mount.

IC-KA: w/brown metal cover. Semi-flush mount.



IC-JA: w/stainless steel cover. Flush-mount.



IC-FY: w/aluminum cover. Flush-mount.



IC-DA-R: w/plastic cover. Surface-mount.



IC-D1, IC-DL1: 1-call.
IC-D2, IC-DL2: 2-call.
IC-D3, IC-DL3: 3-call.

IC-D2, -DL2



w/anodized aluminum cover. Surface-mount. (IC-DL type: with illumination lamp)

IC-D3, -DL3

* Options:



ICR-1: Call extension. Announces a call from door by chime in a place remote from IC-1AD(U) (one per system).

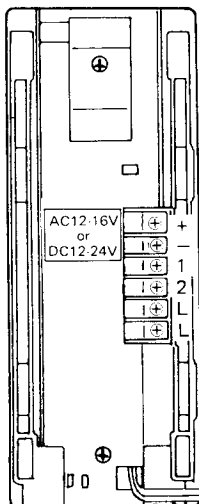


EL-9S: Electric door release. AC12V, 250mA. May be powered by a system's bell transformer (one per system).

NOTES:

Your IC-1AD(U) unit can also work with the existing models; IB-DA, IB-NA, IB-RA, IB-RAG, IB-JA, IB-FY and IBR-1/A.

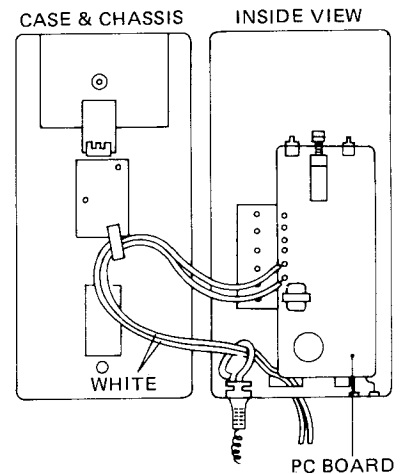
ACTUAL TERMINAL LOCATION



IC-1AD(U) BACK VIEW

- ⊕, ⊖ : For power supply.
- 1, 2 : Connect to 1, 2 terminals on door station (non-polarized)
- L, L : Connect to electric door release (non-polarized)

WHITE wire } For call extension (non-polarized)
WHITE wire }

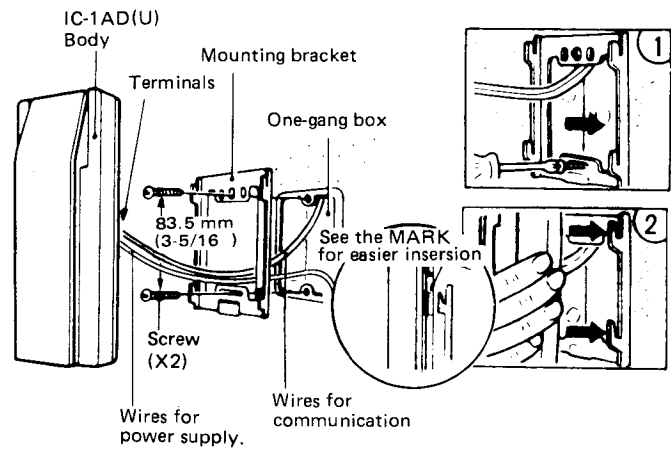


- (1) Remove 2 screws on back of the chassis and separate front case and chassis.
- (2) As shown, take out two WHITE wires thru a hole on the chassis.
- (3) Connect 2 wires to the wires from the ICR-1 (non-polarized).

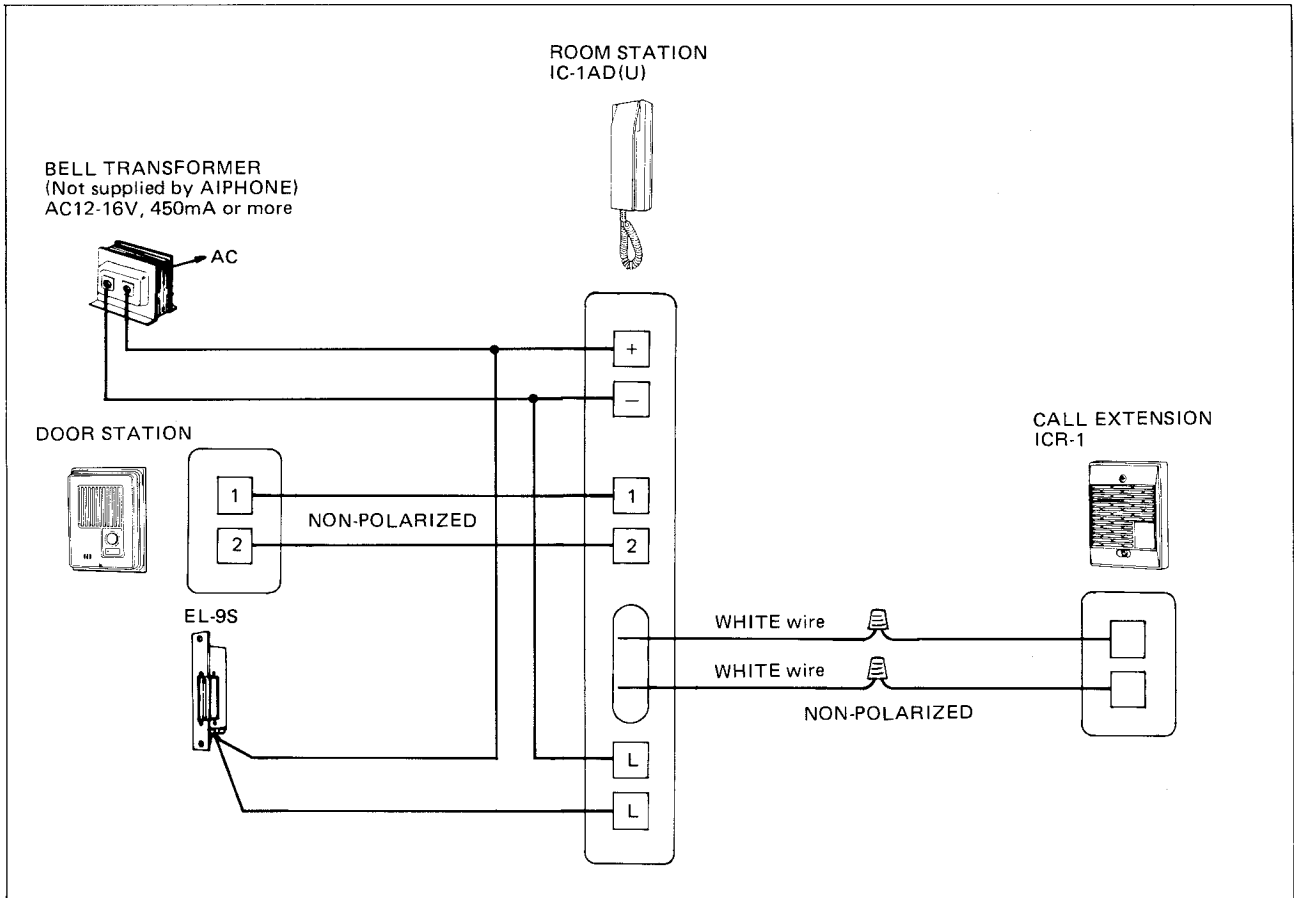
WALL MOUNTING INSTALLATION

Attaché the mounting bracket to wall or one-gang box with the supplied screws. Insert the prongs of the bracket into the holes of the body and pull the body downward.

Be careful not to attach the bracket upside down.



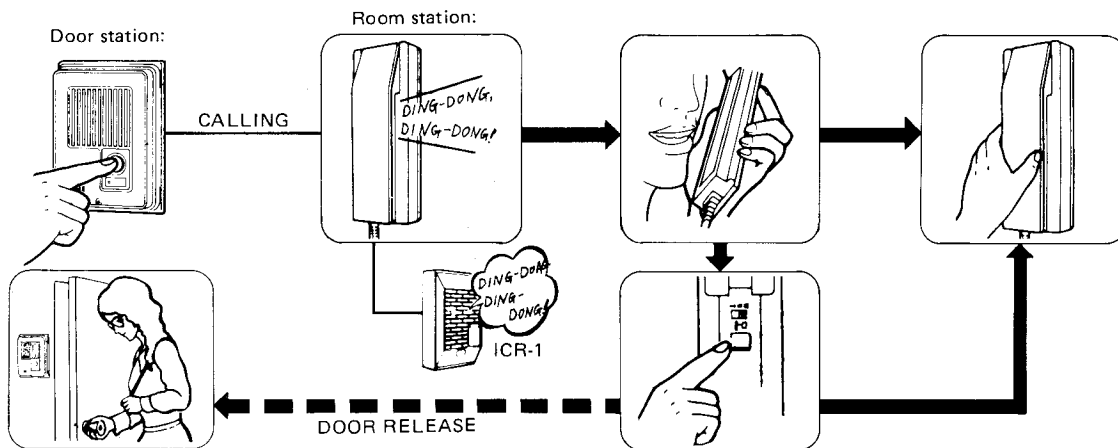
WIRING DIAGRAM



NOTES:

- (1) Door station; Wiring is non-polarized. Connect either terminal 1 or 2 on IC-1AD(U) to either terminal 1 or 2 on door station.
- (2) Door release; As shown in the above diagram, EL-9S can be powered by a system bell transformer.
- (3) Call extension; Wiring is non-polarized. Extend one pair of wires from ICR-1 and connect each to either WHITE wire on IC-1AD(U).
- (4) Bell transformer; It is suggested that the bell transformer should be located close to the IC-1AD(U) station. Connect either output wire on bell transformer AC12-16V to either terminal + or - on IC-1AD(U). Note: When using a power supply (DC12-24V), observe polarity carefully.

OPERATIONS



1. Communication:

At door station:

Momentarily depress CALL button. After room station replies, talk handsfree.

At room station:

Incoming call is announced by 4-stroke chime at IC-1AD(U) and ICR-1, if installed.

To reply, simply pick up handset at IC-1AD(U).

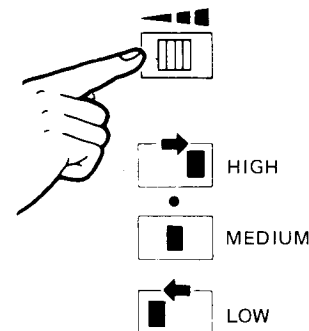
After communication, hang up handset onto its cradle properly.

2. To operate door release:

While you hold your handset, depress and hold door release button on IC-1AD(U),
The visitor may open the door while buzzing sound is heard.

3. Adjusting chime volume:

Adjust chime call volume to 3 levels as desired by the switch on IC-1AD(U),
while chime call volume at ICR-1 remains unchanged.



WARRANTY

Aiphone warrants its products to be free from defects of material and workmanship under normal use and service for a period of one year after delivery to the ultimate user and will repair free of charge or replace at no charge, should it become defective upon which examination shall disclose to be defective and under warranty. Aiphone reserves unto itself the sole right to make the final decision whether there is a defect in materials and/or workmanship; and whether or not the product is within the warranty.

This warranty shall not apply to any Aiphone product which has been subject to misuse, neglect, accident, or to use in violation of instructions furnished, nor extended to units which have been repaired or altered outside of the factory.

This warranty does not cover batteries or damage caused by batteries used in connection with the product.

This warranty covers bench repairs only, and any repairs must be made at the shop or place designated in writing by Aiphone. Aiphone will not be responsible for any costs incurred involving on site service calls.

Aiphone Co., Ltd., Nagoya, Japan
Aiphone Corporation, Bellevue, Washington

IC-1AD(U) INSTRUCTIONS (E)

INTERCOM SYSTEMS
AIPHONE
HOME, BUSINESS, INDUSTRY

Printed in Japan