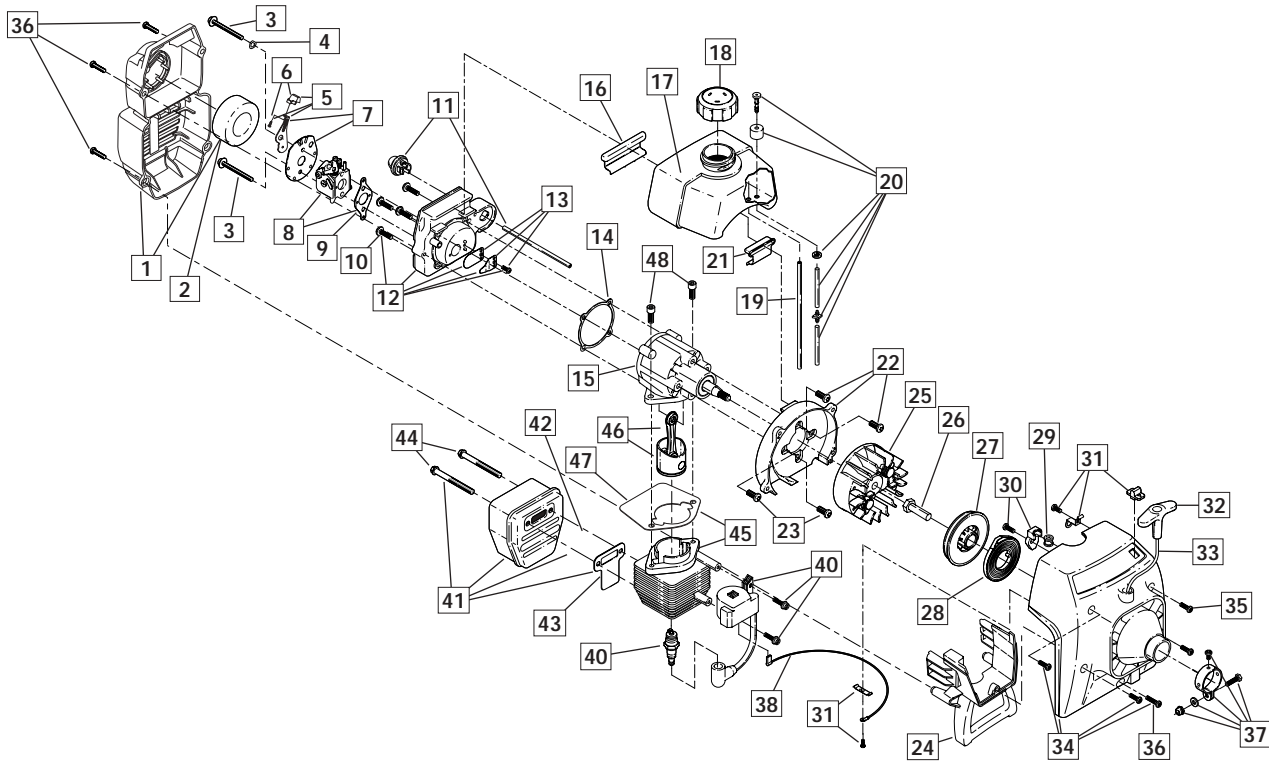


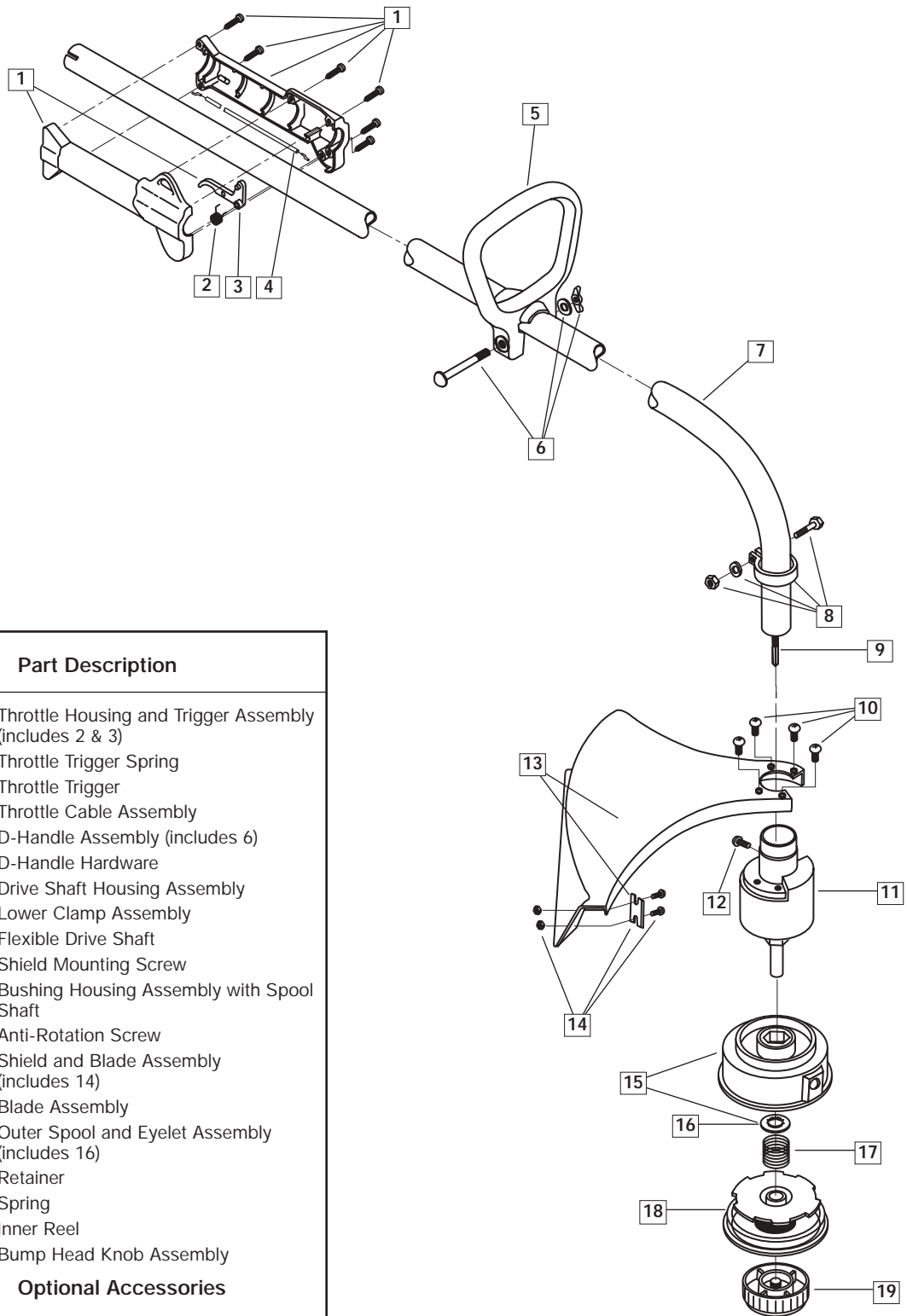
# PARTS LIST FOR PPN 41BD-280G500



| Ref. No. | Part No.    | Part Description                                     |
|----------|-------------|--|
| 1        | 791-182059  | Air Cleaner/Muffler Cover Assembly (includes 2 & 42) |
| 2        | 791-180350B | Air Cleaner Filter                                   |
| 3        | 791-180351  | Carburetor Mounting Screws                           |
| 4        | 791-180226  | Wavey Washer   |
| 5        | 791-182201  | Choke Lever Assembly (includes 6)                    |
| 6        | 791-182202  | Choke Knob and Screw                                 |
| 7        | 791-182203  | Choke Lever and Plate (includes 5)                   |
| 8        | 753-04144   | Carburetor Assembly (includes 9 & 20)                |
| 9        | 791-610675  | Carburetor Gasket                                    |
| 10       | 791-181860  | Carb Mount Screw                                     |
| 11       | 791-683974  | Primer and Hose Assembly                             |
| 12       | 753-1196    | Carb Mount Assembly (includes 10 & 14)               |
| 13       | 791-684451  | Reed Assembly  |
| 14       | 753-1208    | Crank Case Gasket                                    |
| 15       | 791-181865  | Crank Case Service Assembly (includes 10, 14 & 24)   |
| 16       | 791-612134  | Rear Mounting Pad                                    |
| 17       | 791-182767  | Fuel Tank Assembly (includes 19-21)                  |
| 18       | 791-182612  | Fuel Cap Assembly                                    |
| 19       | 791-181168  | Fuel Return Line                                     |
| 20       | 791-182129  | Fuel Line Assembly                                   |
| 21       | 791-145308  | Front Mounting Pad                                   |
| 22       | 791-153520  | Shroud Assembly (includes 24)                        |
| 23       | 791-181861  | Shroud Screw   |
| 24       | 791-182064  | Shroud Extension and Stand                           |
| 25       | 791-182736  | Flywheel Assembly                                    |
| 26       | 791-610303  | Square Nut Drive                                     |
| 27       | 753-04232   | Recoil Pulley Assembly                               |
| 28       | 791-613102  | Recoil Spring  |
| 29       | 791-611061  | Rope Guide   |

| Ref. No. | Part No.    | Part Description                                      |
|----------|-------------|---|
| 30       | 791-181889  | Pulley Retainer Assembly                              |
| 31       | 791-182185  | Switch Assembly (includes 38)                         |
| 32       | 791-181079  | Pull Handle   |
| 33       | 791-613103  | Rope  |
| 34       | 791-181972  | Starter Housing Assembly                              |
| 35       | 791-181862  | Housing Screw   |
| 36       | 791-181345  | Cover Screw   |
| 37       | 791-153597  | Upper Clamp Assembly                                  |
| 38       | 791-180036  | Wire Lead   |
| 39       | 753-04125   | Module Assembly                                       |
| 40       | 791-610311B | Spark Plug  |
| 41       | 791-182066  | Muffler Assembly (includes 42-44)                     |
| 42       | 791-182747  | Spark Arrestor  |
| 43       | 753-04159   | Exhaust Gasket  |
| 44       | 791-147575  | Muffler Mounting Bolt Assembly                        |
| 45       | 753-1206    | Cylinder Assembly (includes 47 & 48)                  |
| 46       | 753-1207    | Piston and Rod Assembly                               |
| 47       | 753-1197    | Cylinder Gasket                                       |
| 48       | 791-182723  | Cylinder Bolt   |
| *        | 753-04134   | Engine Gasket Kit                                     |
| *        | 791-180602  | O.E.M. Carburetor Repair Kit                          |
| *        | 791-181069  | Gasket Diaphragm Repair Kit                           |
| *        | 753-1209    | Piston Ring   |
| *        | 753-04173   | Short Block Assembly (includes 10, 15, 23, 40, 45-48) |
| *        | Not Shown   |   |

# PARTS LIST FOR PPN 41BD-280G500



| Ref. No.                    | Part No.    | Part Description                                       |
|-----------------------------|-------------|--|
| 1                           | 791-182093  | Throttle Housing and Trigger Assembly (includes 2 & 3) |
| 2                           | 791-610314  | Throttle Trigger Spring                                |
| 3                           | 791-180975  | Throttle Trigger                                       |
| 4                           | 791-182068  | Throttle Cable Assembly                                |
| 5                           | 791-153064  | D-Handle Assembly (includes 6)                         |
| 6                           | 791-153317  | D-Handle Hardware                                      |
| 7                           | 791-181893  | Drive Shaft Housing Assembly                           |
| 8                           | 791-153597  | Lower Clamp Assembly                                   |
| 9                           | 753-04280   | Flexible Drive Shaft                                   |
| 10                          | 791-180531  | Shield Mounting Screw                                  |
| 11                          | 791-181784  | Bushing Housing Assembly with Spool Shaft              |
| 12                          | 791-145569  | Anti-Rotation Screw                                    |
| 13                          | 791-683274  | Shield and Blade Assembly (includes 14)                |
| 14                          | 791-682061  | Blade Assembly   |
| 15                          | 791-153619  | Outer Spool and Eyelet Assembly (includes 16)          |
| 16                          | 791-610660  | Retainer   |
| 17                          | 791-610317B | Spring   |
| 18                          | 791-610318  | Inner Reel   |
| 19                          | 791-153066B | Bump Head Knob Assembly                                |
| <b>Optional Accessories</b> |             |  |
| *                           | 791-610375  | Replacement Line, 0.80 Diameter                        |
| *                           | 791-153577  | Reel and Line Assembly                                 |
| *                           | 791-180897B | Bump Head Assembly (includes 15-19)                    |
| *                           | 791-682075B | Shoulder Strap Assembly                                |
| *                           | 791-182780  | Arnold 2-Cycle Oil                                     |
| *                           | not shown   |  |