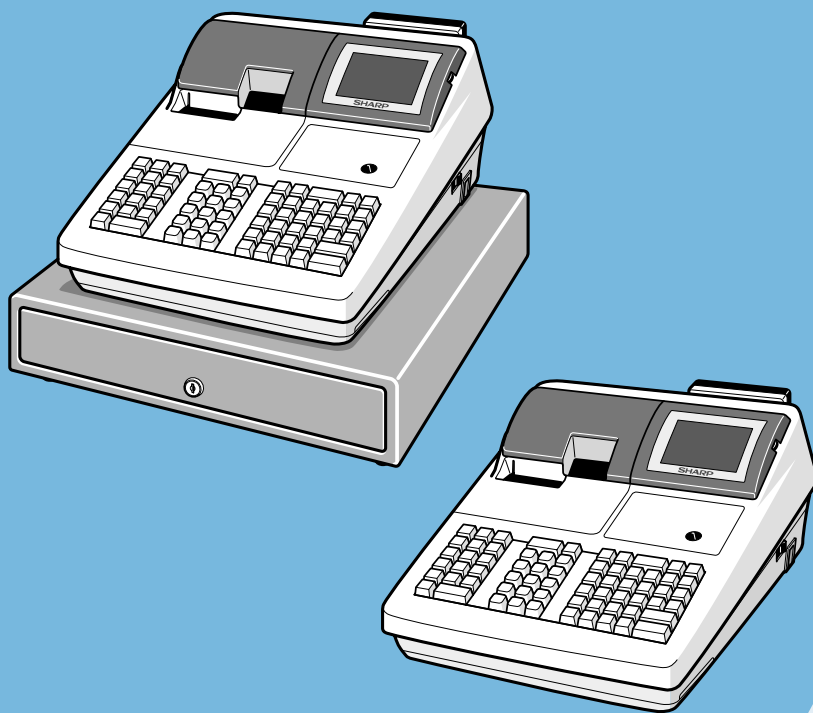


SHARP®

POS TERMINAL

MODEL
UP-600

INSTRUCTION MANUAL



CAUTION:

The drawer unit should be securely fitted to the supporting platform to avoid instability when the drawers are open.

CAUTION:

The socket-outlet shall be installed near the equipment and shall be easily accessible.

VORSICHT:

Die Netzsteckdose muß nahe dem Gerät angebracht und leicht zugänglich sein.

ATTENTION:

La prise de courant murale devra être installée à proximité de l'équipement et devra être facilement accessible.

AVISO:

El tomacorriente debe estar instalado cerca del equipo y debe quedar bien accesible.

WARNING:

Det matande vägguttaget skall placeras nära apparaten och vara lätt åtkomligt.

CAUTION:

For a complete electrical disconnection pull out the mains plug.

VORSICHT:

Zur vollständigen elektrischen Trennung vom Netz den Netzstecker ziehen.

ATTENTION:

Pour obtenir une mise hors-circuit totale, débrancher la prise de courant secteur.

AVISO:

Para una desconexión eléctrica completa, desenchufar el enchufe de tomacorriente.

WARNING:

För att helt koppla från strömmen, dra ut stickproppen.

This equipment complies with the requirements of Directives 89/336/EEC and 73/23/EEC as amended by 93/68/EEC.

Dieses Gerät entspricht den Anforderungen der EG-Richtlinien 89/336/EWG und 73/23/EWG mit Änderung 93/68/EWG.

Ce matériel répond aux exigences contenues dans les directives 89/336/CEE et 73/23/CEE modifiées par la directive 93/68/CEE.

Dit apparaat voldoet aan de eisen van de richtlijnen 89/336/EEG en 73/23/EEG, gewijzigd door 93/68/EEG.

Dette udstyr overholder kravene i direktiv nr. 89/336/EEC og 73/23/EEC med tillæg nr. 93/68/EEC.

Quest' apparecchio è conforme ai requisiti delle direttive 89/336/EEC e 73/23/EEC, come emendata dalla direttiva 93/68/EEC.

Η εγκατάσταση αυτή ανταποκρίνεται στις απαιτήσεις των οδηγιών της Ευρωπαϊκής Ένωσης 89/336/ΕΟΚ και 73/23/ΕΟΚ, όπως οι κανονισμοί αυτοί συμπληρώθηκαν από την οδηγία 93/68/ΕΟΚ.

Este equipamento obedece às exigências das directivas 89/336/CEE e 73/23/CEE, na sua versão corrigida pela directiva 93/68/CEE.

Este aparato satisface las exigencias de las Directivas 89/336/CEE y 73/23/CEE, modificadas por medio de la 93/68/CEE.

Denna utrustning uppfyller kraven enligt riktlinjerna 89/336/EEC och 73/23/EEC så som komplette ras av 93/68/EEC.

Dette produktet oppfyller betingelsene i direktivene 89/336/EEC og 73/23/EEC i endringen 93/68/EEC.

Tämä laite täyttää direktiivien 89/336/EEC ja 73/23/EEC vaatimukset, joita on muutettu direktiivillä 93/68/EEC.

Warning

This is a Class A product. In a domestic environment this product may cause radio interference in which case the user may be required to take adequate measures.

Warnung

Dies ist eine Einrichtung der Klasse A. Diese Einrichtung kann im Wohnbereich Funkstörungen verursachen; in diesem Fall kann vom Betreiber verlangt werden, angemessene Maßnahmen durchzuführen und dafür aufzukommen.

Avertissement

Ceci est un produit de Classe A. Dans un environnement domestique ce produit risque de provoquer une interférence radio, auquel cas l'utilisateur sera obligé d'observer les mesures adéquates.

Advertencia

Este es un producto de la clase A. En un ambiente doméstico es posible que este producto cause radiointerferencia. En este caso se solicita al usuario que tome medidas adecuadas.

INTRODUCTION

Thank you very much for your purchase of the SHARP POS Terminal Model UP-600. Please read this Manual carefully before operating your machine in order to gain full understanding of functions and features. Please keep this manual for future reference. It will help you if you encounter any operational problems.

IMPORTANT

- **Install your POS terminal in a location that is not subject to direct sunlight, unusual temperature changes, high humidity or exposure to water sources and keep away from heat and magnetic sources.**
Installation in such locations could cause damage to the cabinet and the electrical components.
- **The POS terminal should not be operated by an individual with wet hands.**
The water could seep into the interior of the POS terminal and cause component failure.
- **Do not apply excessive pressure to the display.**
Do not use a sharp-pointed object on the display.
The LCD display will be damaged easily.
- **When cleaning your POS terminal, use a dry, soft cloth. Never use solvents, such as benzine and/or thinner.**
The use of such chemicals will lead to discoloration or deterioration of the cabinet.
- **The surface of the screen may become smeared and accumulate dust during use.**
Gently wipe the surface of the screen with a soft cloth that has been dipped in a mild detergent solution and squeezed dry.
- **The POS terminal plugs into any standard wall outlet (official (nominal) voltage).**
Other electrical devices on the same electrical circuit could cause the POS terminal to malfunction.
- **If the POS terminal malfunctions, call your authorized SHARP dealer for service - do not try to repair the POS terminal yourself.**

PRECAUTION

This POS terminal has a built-in memory protection circuit which is operated by a rechargeable battery pack. It should be known that all batteries will, in time, dissipate their charge even if not used. Therefore to insure an adequate initial charge in the protection circuit and to prevent any possible loss of memory upon installation, it is recommended that each unit be allowed to be recharged for a period of 24 to 48 hours prior to use by the customer.

In order to charge the battery pack, the machine must be plugged in and its power switch must be set to the "ON" position. This recharging precaution can prevent unnecessary initial service calls.

CONTENTS

INTRODUCTION	1
IMPORTANT	1
PRECAUTION	1
CONTENTS	2
1. Part Names and Functions	7
External View	7
Front view	7
Rear view	7
Printer	8
Keyboard	9
Standard keyboard layout	9
Optional keys	10
Keys and Switches	12
Mode switch and mode keys	12
Drawer lock key	12
Printer cover lock key	12
Display	13
Operator display	13
Customer display (Pop-up type)	14
Display adjustment (operator display)	14
Screen save mode	14
2. Receipts	15
Built-in Printer Sample Receipt	15
Receipt for Remote Printers (KP#1-KP#9)	15
Type of receipts	15
Sorted Receipt Function	18
3. Prior to Entries	20
Preparations for Entries	20
Receipt and journal paper rolls	20
Receipt ON/OFF function	20
Cashier assignment	20
Error Warning	21
Item Selection from the Menu	22
Starting Cash Memory Entry	23
4. Entries	24
Item Entries	24
Single item entries	24
Repeat entries	26
Multiplication entries	26
Split-pricing entries	28
Successive multiplication entries	29
Single item cash sale (SICS)/single item finalize (SIF) entries	30
Scale entries	30
Non-turnover sales	33
Special Entries for PLU/EAN	33
Promotion function	33
PLU/EAN link entries	34
EAN learning function	35
Price inquiry (view) function	36
EAN price change function	37
Combo meal PLU/EAN entries	38
With/without entries	39
PLU level shift (for direct PLUs)	39

Price level shift	41
Condiment entries (for PLU)	42
Pint entries	44
Display of Subtotals	44
Subtotal	44
Difference subtotal (Differ ST)	44
Finalization of Transaction	45
Cash or check tendering	45
Mixed tendering (check + cash)	46
Cash or check sale that does not need any tender entry	46
Credit sale	46
Mixed-tender sale (cash or check tendering + credit tendering)	47
Computation of VAT (Value Added Tax)/Tax	47
VAT/tax system	47
VAT shift entries	48
Guest Check (GLU)	49
Guest look up (GLU) system	49
Deposit entries	50
Transferring guest checks out or in (Transfer-in/out)	51
Bill printing	52
Intermediate GLU reading	53
Bill totalizing/bill transfer	53
Bill separating	54
Transaction migration	56
Recall GLU	56
Auxiliary Entries	57
Percent calculations (premium or discount)	57
Discount entries	57
Refund entries	58
Return entries	58
Printing of non-add code numbers	59
Printing of free text	59
Entertainment bill	60
Payment Treatment	61
Tip-in entries	61
Currency exchange	62
Received-on-account entries	63
Paid-out entries	64
No-sale (exchange)	65
Transferring cash	65
Cashing a check	66
Service charge	66
VIP sales	67
Customer management	68
TRAINING Mode	70
Overlapped Clerk Entry	71
5. Correction	72
Correction of the Last Entry (Direct Void)	72
Correction of the Next-to-Last or Earlier Entries (Indirect Void)	73
Subtotal Void	74
Correction of Incorrect Entries Not Handled by the Direct, Indirect or Subtotal Void Function	74
6. Special Printing Function	75
Copy Receipt Printing	75
Guest Check Copy	76
Validation Printing Function	76
Employee's Arrival/Departure Time Printing	76

7. Manager Mode	77
Override Entries.....	77
Tip Paid Entries.....	77
Bill Recording/Bill Void.....	78
Correction after Finalizing a Transaction.....	78
8. Reading (X) and Resetting (Z) of Sales Totals	79
How to take a X1/Z1 or X2/Z2 report.....	79
Flash report.....	79
Daily Sales Totals.....	82
General report.....	82
Department report.....	85
Individual group total report on departments.....	86
Full group total report on departments.....	86
PLU/EAN report by designated range.....	87
Combo sales report.....	88
PLU/EAN report by associated department.....	88
Individual group report on PLU/EAN.....	88
Full group total report on PLU/EAN.....	89
PLU/EAN stock report.....	89
PLU/EAN zero sales report (full).....	89
PLU/EAN zero sales report (by dept.).....	89
PLU/EAN price category report.....	90
PLU/EAN minimum stock report.....	90
Total in drawer report.....	90
Transaction report.....	91
Commission sales report.....	91
Tax report.....	92
Chief report.....	92
Full clerk report.....	92
Individual clerk report (In case of clerk only system).....	93
Individual clerk report (In case of cashier only system).....	95
Individual clerk report (In case of cashier + clerk system).....	96
Full cashier report (In case of cashier + clerk system).....	96
Individual cashier report (In case of cashier + clerk system).....	97
Hourly report.....	98
GLU report.....	98
GLU report by clerk.....	99
Balance report.....	99
Bill report.....	99
X1/Z1 stacked report.....	99
Periodic Consolidation.....	100
General information.....	100
Daily net report.....	100
Customer sales report 1 and 2.....	101
Customer sales report by sales range.....	102
Customer charge account report.....	102
X2/Z2 stacked report.....	102
Compulsory Cash/Check Declaration.....	103
9. Non-accessed EAN and Customer Deletion	105
Non-accessed EAN report.....	106
Non-accessed customer report.....	106
Customer delete report.....	107
10. Prior to Programming	108
Programming Keyboard Layout.....	108
How to Program Alphanumeric Characters.....	109
Using character keys on the keyboard.....	109
Entering character codes.....	110

11. Programming	111
Basic Instructions	111
Programming screen	111
Programming example	112
Article Programming	114
Department	115
PLU/EAN	117
Dynamic EAN	119
PLU range	120
PLU/EAN stock	120
PLU menu key	121
Combo meal	122
Link PLU table (for PLU/EAN link)	122
PLU condiment table	123
Promotion table (normal selling)	124
Promotion table (set selling)	125
Scale table	125
EAN Non-PLU code format	126
Press code (for EAN)	127
EAN delete	127
Direct Key Programming	128
Direct key	128
Functional Programming	129
Discount key (⊖1 through ⊖5)	129
Percent key (%1 through %5)	130
Commission	130
Service charge	131
Tip	131
Deposit	131
RA	132
PO	132
Media Key Programming	133
Cash key	133
Check key (CH1 through CH5)	134
Credit key (CR1 through CR9)	135
Charge key	136
Cash in drawer	136
Check change	137
Check cashing	137
Currency Programming	137
Currency exchange key (EX1 through EX9)	137
Foreign currency drawer	138
Text Programming	138
Function text	139
Department group text	141
PLU group text	141
Personnel Programming	142
Clerk	142
Cashier	144
Terminal Programming	145
Date/Time Setting	146
Date/time	146
Optional Feature Selection	146
Function prohibition	147
Function selection 1	148
Function selection 2	149
Printing selection 1	150
Printing selection 2	151
EURO	152

Report Programming	153
Zero skip	153
General report format	154
Hourly report	154
Stacked report	155
Message Programming	157
Receipt logo	158
Free text	158
Validation printing text	158
Slip text	159
Slip footer	159
Payee name	159
Entertainment bill message	159
Device Configuration Programming	160
R/J printer (Built-in printer)	161
Slip printer	161
Remote printer (KP#1 through KP#9)	162
BCR (SCANNER)	163
Scale/On-line	163
Tax Programming	164
Customer Programming	164
Customer code	165
Customer programming	165
Backup Data Send Programming	166
Backup data send	166
Backup Data Receive Programming	166
Backup data receive	166
On-line Configuration Programming	167
Automatic Sequencing Key Programming	168
Reading of Stored Programs	169
Program reading sequence	169
Sample printouts	170
12. European Article Number (EAN) or Universal Product Code (UPC)	183
EAN or UPC code	183
Add-on code	185
EAN file	185
13. EURO Migration Function	186
14. Operator Maintenance	188
In Case of Power Failure	188
In Case of Printer Error	188
Thermal Printing	188
Cautions in handling the printer	188
Cautions in handling the recording paper	189
Installing and Removing the Paper Roll	190
Recording paper specifications	190
Installing the paper roll	190
Removing the paper roll	191
Removing a paper jam	193
Cleaning the Print Head	194
Removing the Till and the Drawer	195
Operating the Drawer by Hand	195
Before Calling for Service	196
15. Options	196
List of Options	196
16. Specifications	197
INTER-REGISTER COMMUNICATION SYSTEM (OPTION)	

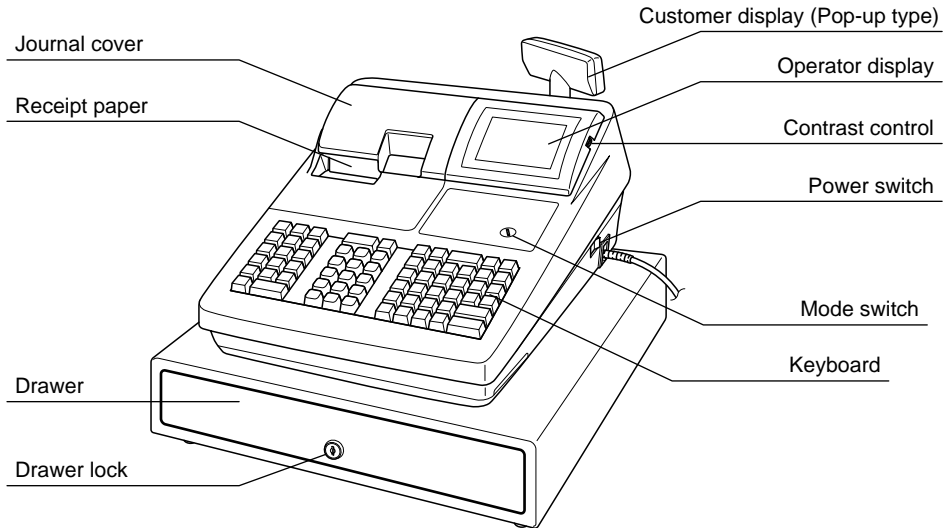
1

Part Names and Functions

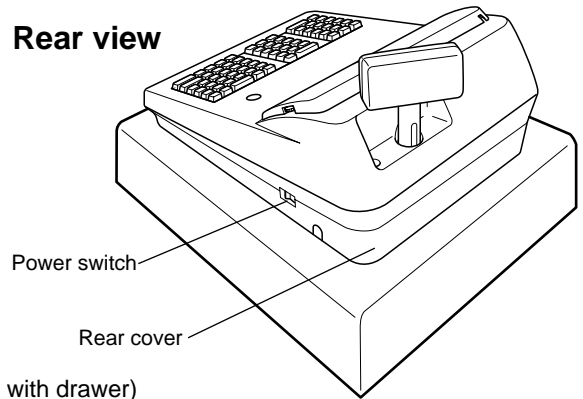
This chapter describes the part names and functions of this POS terminal.

External View

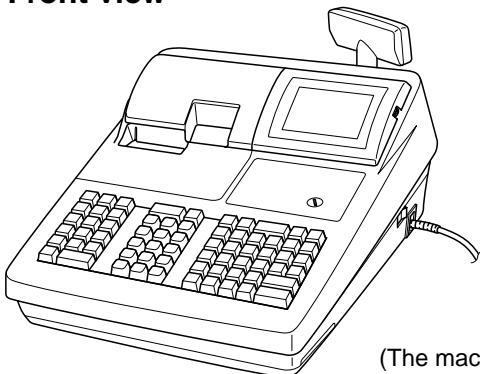
■ Front view



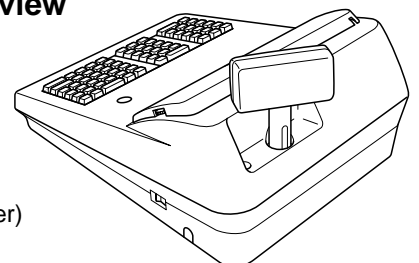
■ Rear view



■ Front view



■ Rear view



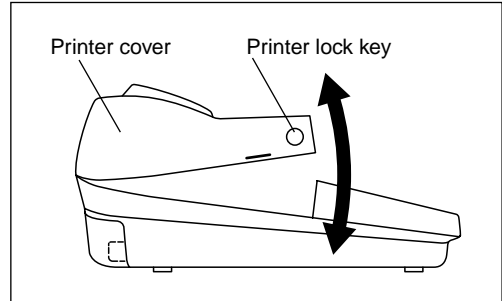
Printer

NOTE

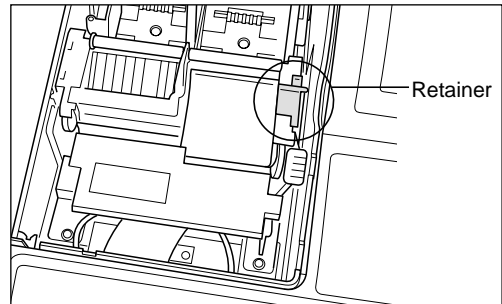
The UP-600 may be configured with multiple types of printers offered by the market. For specific instructions related to the handling and care of the printer, please refer to the applicable printer instruction manual.

The printer is a receipt/journal dual station type thermal printer, and therefore it does not require any type of ink ribbon or cartridge. The average life of the printer is approximately 5 million lines.

When opening the printer cover, unlock the printer cover using the printer cover lock key, and lift up the cover as shown on the right sketch.

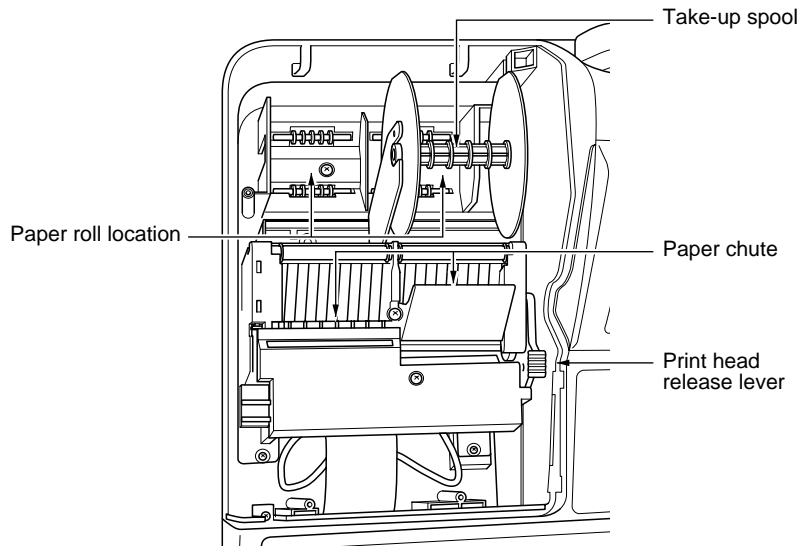


Your register is shipped with the print head release lever held by a white retainer in the lifted up position. Be sure to remove this retainer (see the figure at the right) and push down the print head release lever before you use the POS terminal.



Print head release lever

The print head can be lifted by the green lever on the right side of the printer. Pulling the lever forward lifts the print head up. If the paper becomes jammed and you need to move the head farther forward, you can pull the lever even further toward you and proceed with the removal of the jammed paper.

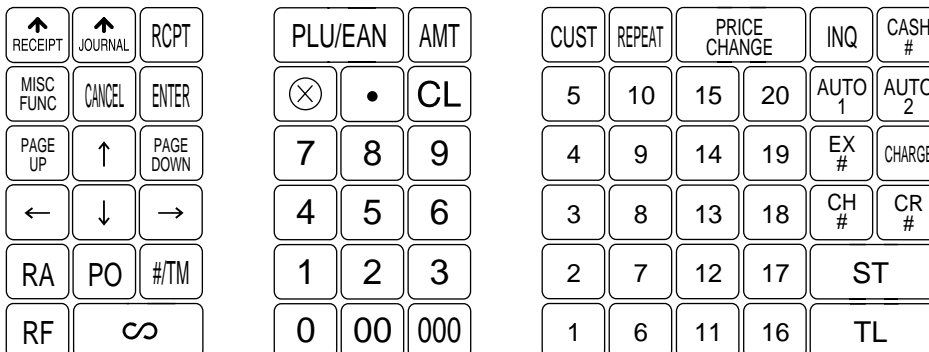


NOTE

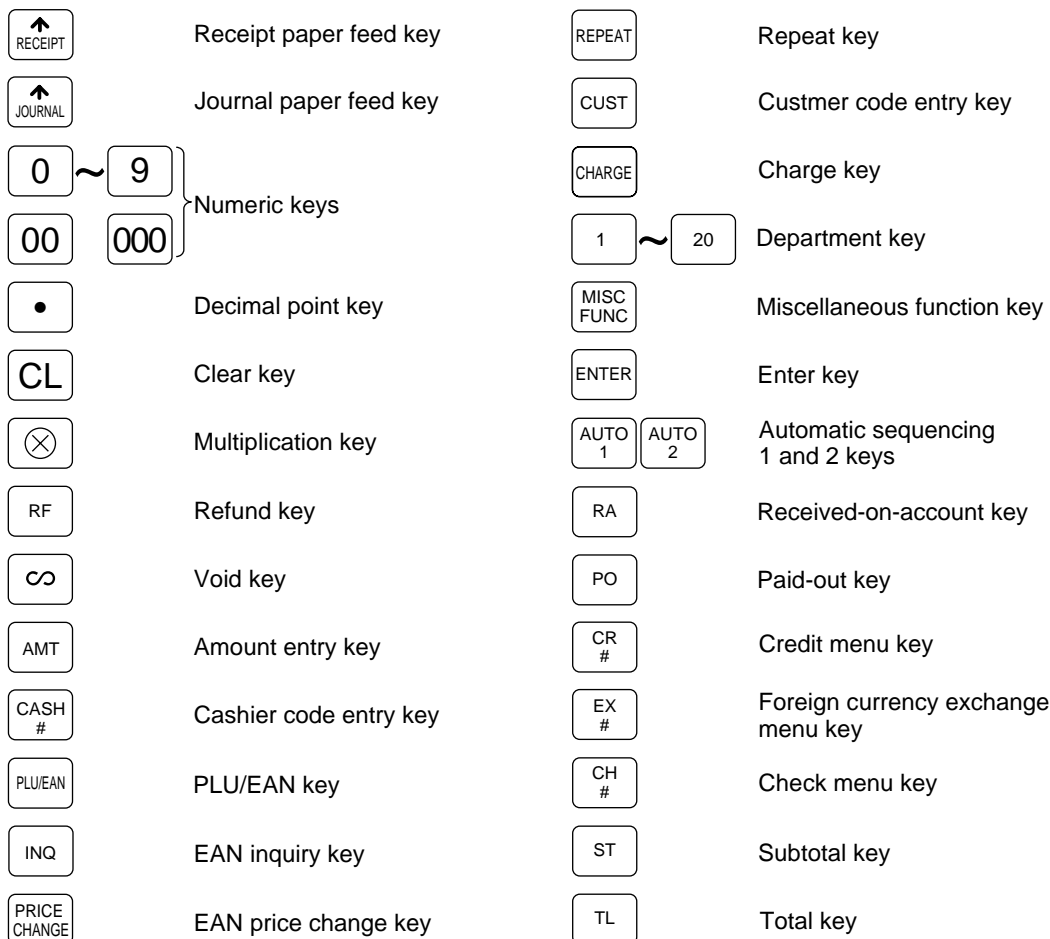
Do not attempt to remove the paper roll with the head in the down position. This may result in damage to the printer and print head.


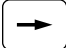





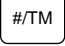
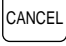
Keyboard

■ Standard keyboard layout






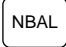

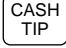

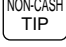

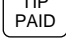

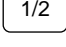

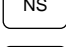
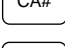
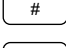

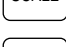

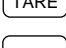
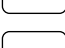
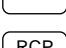
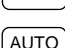
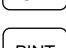




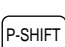

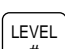
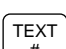

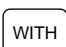

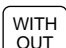


NOTE All the keys but the receipt paper feed and journal paper feed keys can be re-positioned. If you want to change the layout, contact your authorized SHARP dealer.



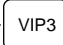

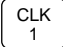
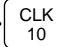

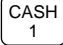
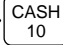


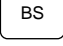
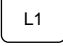
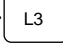
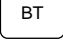

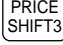
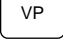
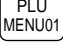
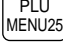
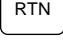
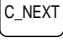
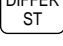
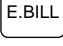
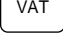
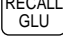
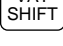
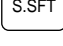
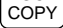



	Receipt print key			} Cursor (right/left/up/down arrow) keys
 	Page up/down keys			
	Non-add code/Date & time display key			Cancel key

■ Optional keys

NOTE The following optional keys can optionally be mounted in place of those shown in the figure of the standard keyboard layout. For details, consult your dealer.

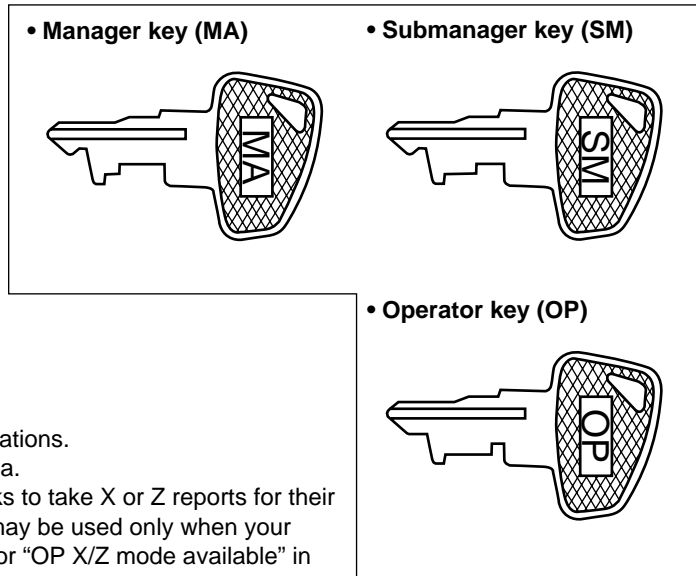
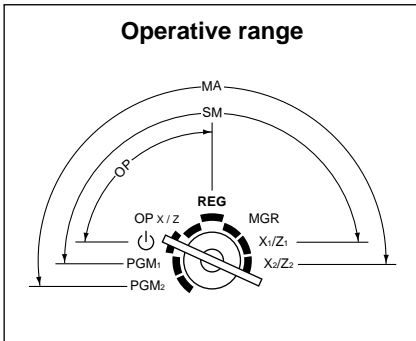
	Back space key		Guest lookup key
	Direct price lookup keys		New balance key
	Department keys		Cash tip key
	Text 1 through 10 keys		Non-cash tip key
	Percent 1 through 5 keys		Tip paid key
	Discount 1 through 5 keys		1/2 key
	Credit 1 through 9 keys		No-sale key
	Cash menu key		Clerk code entry key
	Cash total 2 through 5 keys		Scale entry key
	Foreign currency exchange 1 through 9 keys		Tare entry key
	Received-on-account 2 key		Slip printer key
	Paid-out 2 key		Receipt ON/OFF key
	Automatic sequencing 3 through 10 keys		Pint key
	Check 1 through 5 keys		Deposit plus entry key
	Tentative finalization key		Deposit minus entry key
	Price level shift number key		Department number key
	PLU level shift number key		Text number key
	Guest number entry key		With key
	Opened GLU list key		Without key

	Guest check receipt key	 ~ 	VIP1 through 3 sale keys
	Transfer out key	 ~ 	Clerk entry 1 through 10 keys
	Transfer in key	 ~ 	Cashier entry 1 through 10 keys
	Receipt shift key		Check print key
	Bill separation key	 ~ 	PLU level shift 1 through 3 keys
	Bill totalize/bill transfer key	 ~ 	Price level shift 1 through 3 keys
	Validation print key	 ~ 	PLU menu 1 through 25 keys
	Return key		Condiments next key
	Difference subtotal key		Entertainment bill key
	Value-added tax key		Recall TOTAL STATUS key
	Value-added tax shift key		Sort group shift key
	Guest check copy key		Delete key

Keys and Switches

■ Mode switch and mode keys

The mode switch can be operated by inserting one of the three supplied mode keys - manager (MA), submanager (SM), and operator (OP) keys. These keys can be inserted or removed only when the switch is in the "REG" or "⏻" position.

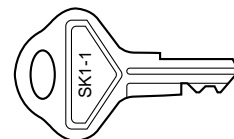


The mode switch has these settings:

- ⏻: This mode locks all register operations. No change occurs to register data.
- OP X/Z:** This setting allows cashiers/clerks to take X or Z reports for their sales information. (This setting may be used only when your register has been programmed for "OP X/Z mode available" in the PGM2 mode.)
- REG:** For entering sales
- PGM1:** To program those items that need to be changed often: e.g., unit prices of departments, PLUs or EANs, and percentages
- PGM2:** To program all PGM1 items and those items that do not require frequent changes: e.g., date, time, or a variety of register functions
- MGR:** For manager's and submanager's entries
The manager can use this mode to make entries that are not permitted to be made by cashiers - for example, after-transaction voiding and override entry.
- X1/Z1:** To take the X/Z report for various daily totals
- X2/Z2:** To take the X/Z report for various periodic (weekly or monthly) consolidation

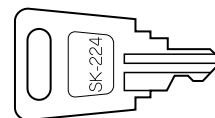
■ Drawer lock key

This key locks and unlocks the drawer. To lock it, turn 90 degrees counterclockwise. To unlock it, turn 90 degrees clockwise. (In case your POS terminal has not the drawer supplied by SHARP, this key is not supplied.)



■ Printer cover lock key

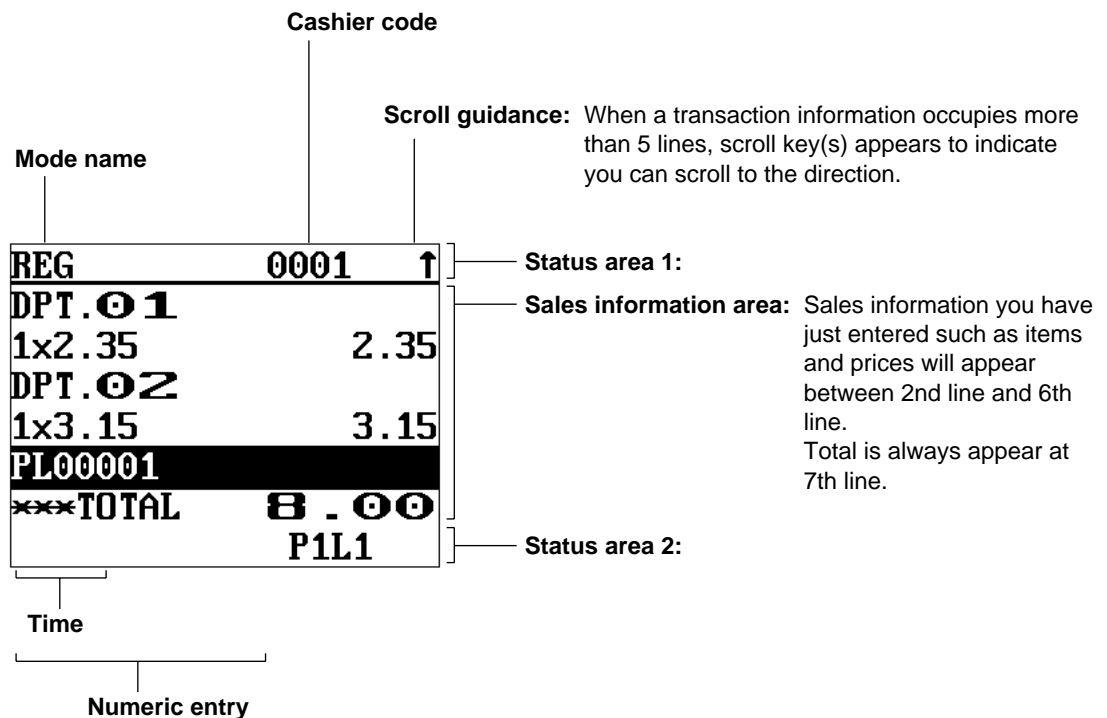
This key locks and unlocks the printer cover. To lock it, turn 90 degrees counterclockwise. To unlock, turn 90 degrees clockwise.



Display

■ Operator display

• Screen example 1 (REG mode)



Price level shift indicator (P1-P3)

: Shows the PLU/EAN price level currently selected.

PLU level shift indicator (L1-L3)

: Shows the PLU level currently selected.

Receipt shift indicator (r)

: Shows the receipt shift status.

T-Log near full indicator (■)

: Appears (■) when the used memory is 80%.

: Appears (■) when the used memory is 90%.

: Appears (■) when the used memory is 95%.

Stock alarm indicator (†)

: Appears when the stock of the PLU which you entered is zero, negative or reaches the minimum stock.

VAT shift status indicator (V)

: Appears when the VAT status is shifted.

Electronic mail indicator (M)

: Appears when an electronic mail is received.

Receipt ON/OFF status indicator (R)

: Appears when the receipt ON-OFF function signs OFF.

Sentinel mark (X)

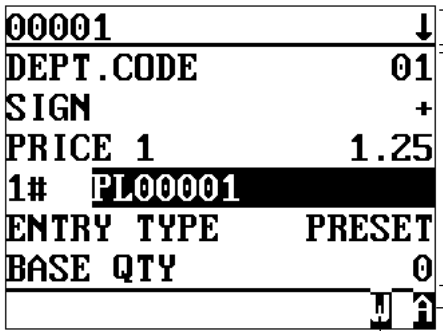
: Appears in the lower right corner of the screen when the cash in drawer exceeds a programmed sentinel amount.

The sentinel check is performed for the total cash in drawer.

VMP file full indicator (1,2, or 3)

: When a VMP file used memory is 90% or more, its file number is indicated.

• Screen example 2 (PGM mode)



Programming item information area

Programming area:
Programmable items are listed.

Caps lock indicator (A/a):
The upper-case letter "A" appears when caps lock is on, and the lower-case letter "a" appears when caps lock is off during text programming.

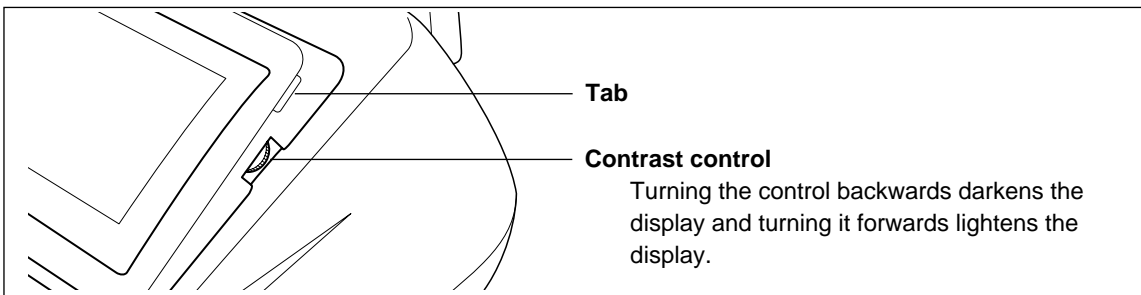
Double-size character mode indicator (W):
Appears when the double-size character mode is selected during text programming.

■ Customer display (Pop-up type)



■ Display adjustment (operator display)

You can adjust the contrast of the display by using the contrast control, and also you can adjust the display angle. Hold the tab, the display will head up.



The backlight in the display is a consumable part. When the LCD display may no longer be adjusted and becomes darker, you should change the backlight. Consult your authorized SHARP dealer for further details.

■ Screen save mode

When you want to save the electric power or save the display's life, use the screen save function. This function can turn the LCD backlight off when any server does not operate the POS terminal for an extended period of time. You can program the time for which your POS terminal should keep the normal status (in which the backlight is "ON") before it goes into the screen save mode.

To go back to the normal mode, press any key.

2

Receipts

Built-in Printer Sample Receipt


Date	15/08/2001	11:21	123456#0067	Consecutive no.
Cashier code	0001	JACK		Machine no.
Cashier name				Time
Item entry	2x 5.25			
	DPT.01		*10.50	
	1x 1.36			
	DPT.02		*1.36	
	1x 3.36			
	DPT.03		*3.36	
	***TOTAL		*15.22	Sales total
	CASH		*16.00	Cash amount tendered
	CHANGE		*0.78	Change due

Receipt for Remote Printers (KP#1–KP#9)

■ Type of receipts

You can select one of the following 5 types of receipts for each remote printer. These types of receipts are available in the REG or MGR mode. By default, the addition receipt type is selected.

- Addition receipt type
- Single/double receipt type
- Addition + single receipt type
- Double addition receipt type
- Double (addition + single) receipt type

NOTE You can shift the printing mode of items for the receipt by pressing the  key before item entry (Receipt Shift function).

- Single/double receipt type → Addition receipt type

• Addition receipt type

The addition receipt is a standard type. Several items can be printed on one receipt.

Addition receipt

15/08/2001	123456
15:39	
JACK	
1x	
PL00001	

• **Single/double receipt type**

When you select this type:

- One receipt is issued and the transaction is finalized each time you enter an item.
- A single receipt or a double receipt is issued depending on the PGM2 programming for the department.
- Each sales transaction is automatically handled as a cash deal.
- Items specified as SICS or SIF are treated as a single type.
- GLU entry is allowed.

Double receipt

<p>15/08/2001 123456 15:40 JACK</p> <p>1x PL00001</p> <hr style="border-top: 1px dashed black;"/> <p>15/08/2001 123456 15:40 JACK</p> <p>** DOUBLE ** 1x PL00001</p>

← Perforation

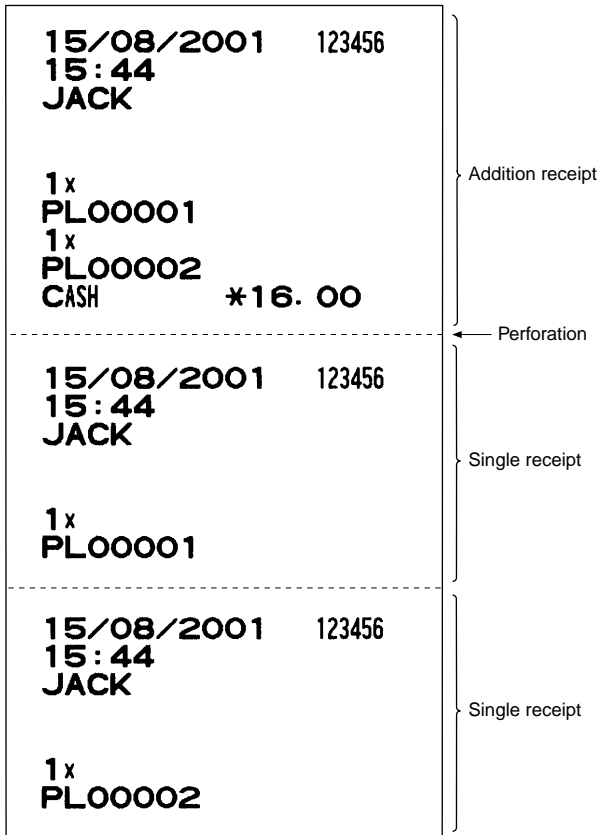
Single receipt

<p>15/08/2001 123456 15:41 JACK</p> <p>1x PL00001</p>

• **Addition + single receipt type**

When you select this type:

- An addition receipt and each single receipt are issued in series after you finalize the transaction.
- Footer logo message is printed at the end of the addition receipt part.
- The information on multiplication entry will be printed on a single receipt.



• **Double addition receipt type**


The contents of this type of receipt is same as the addition receipt type. However, the same receipt will be issued two times.

• **Double (addition + single) receipt type**

The contents of this type of receipt is same as the (addition + single) receipt type. However, the same receipt will be issued two times.

Sorted Receipt Function

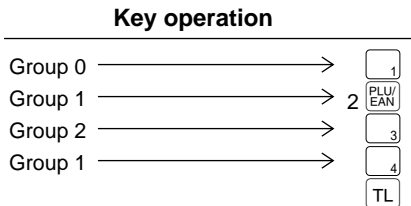
When the sorted receipt function is programmed for your POS terminal, PLUs are printed in sorted form by PLU group regardless of the order that you entered items.

NOTE The sort group number is temporarily changed by  key (sort shift key).

→ *n* →  → {PLU entry} *n* : Group number (00 - 99)

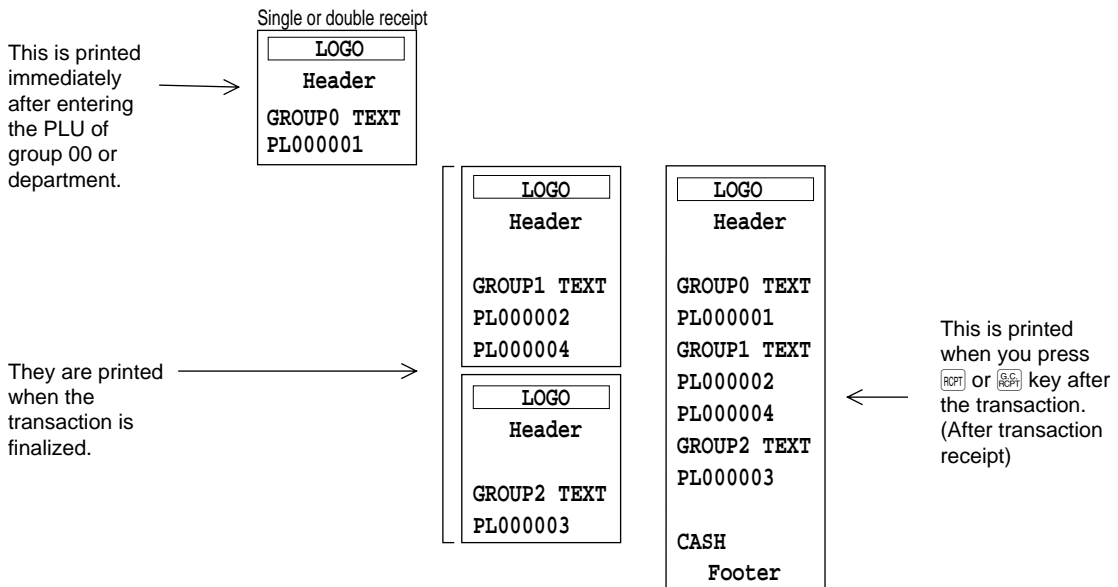
Example

It is assumed that you enter the items in the following order:



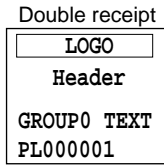
The print format differs depending on the programmed receipt type as follows:

• Addition receipt type

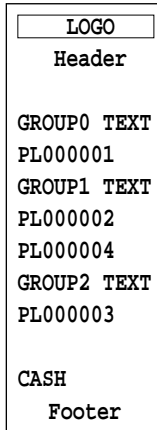
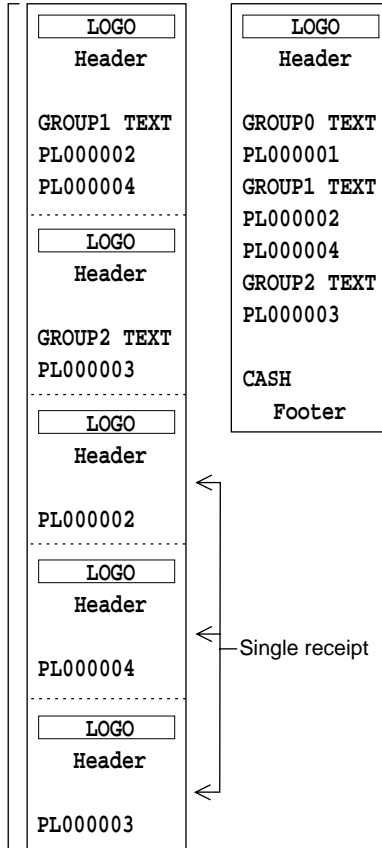


• **Addition + single receipt type**

This is printed immediately after entering the PLU of group 00 or department.



They are printed when the transaction is finalized.



This is printed when you press the **RCPT** or **RSPT** key after the transaction. (After transaction receipt)

Single receipt


3 Prior to Entries

Preparations for Entries

■ Receipt and journal paper rolls

If the receipt and journal paper rolls are not set in the machine or there are low rolls, install new ones according to section “Installing and Removing the Paper Rolls” under “Operator Maintenance.”

■ Receipt ON/OFF function

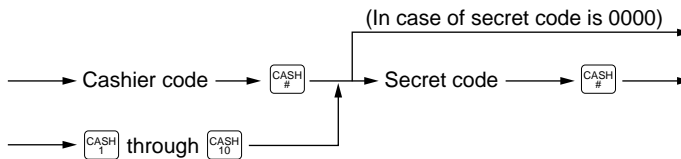
You can disable receipt printing in the REG mode to save paper using the receipt function. To disable receipt printing, press the  key and select RCP SW. from the menu to select an option, OFF. When the function is in the OFF status, the receipt off indicator “R” is highlighted.

NOTE *Your register will print reports regardless of the receipt state. This means that the receipt roll must be installed even when the receipt state is “OFF”.*

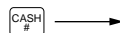
■ Cashier assignment

Prior to any item entries, a cashier must enter his/her cashier codes into the POS terminal. Follow the procedure shown below.

To sign on:



To sign off:

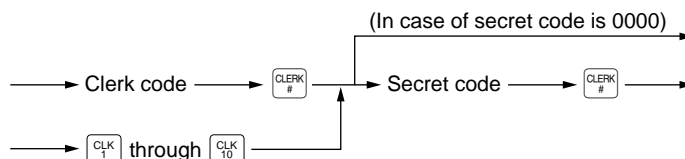


- NOTE**
- If another cashier is signed on while a cashier is signed on, the latter will automatically be signed off.
 - If you want to enter a cashier code before every transaction, consult your authorized SHARP dealer.

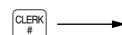
- NOTE**
- Your POS terminal can provide the cashier + clerk system or the clerk only system instead of current system (cashier only system). If you want to change the system, please consult your authorized SHARP dealer.

Clerk assignment

To sign on:



To sign off:



Error Warning

In the following examples, your POS terminal will go into an error state accompanied by a warning beep and the error message on the display. Clear the error state by pressing the **CL** key and take a proper action.

- When you exceed a 32-digit number (entry limit overflow):
Cancel the entry and reenter a correct number.
- When you make an error in key operation:
Clear the error and try the entry again.
- When you make an entry beyond a programmed amount entry limit:
Check to see if the entered amount is correct. If it is correct, it can be rung up in the MGR mode.
Contact your manager.
- When an including-tax subtotal exceeds eight digits:
Delete the subtotal by pressing the **CL** key and press a media key to finalize the transaction.

Item Selection from the Menu

Your POS terminal allows you to select functions from a menu. For example, if you want to enter an item for check 1 sale, select the option "CHECK1" from the "CHECK" menu instead of pressing the **[CH1]** key. Each menu can be opened as follows:

• Check menu

[CH #] →

CHK.MN	
1	CHECK
2	CHECK2
3	CHECK3
4	CHECK4
5	CHECK5
***TOTAL 16.25	
	P1L1

• Exchange menu

[EX #] →

EX.MN	
1	EXCH1
2	EXCH2
3	EXCH3
4	EXCH4
5	EXCH5
***TOTAL 16.25	
	P1L1

• Credit menu

[CR #] →

CR.MN	
1	CREDIT1
2	CREDIT2
3	CREDIT3
4	CREDIT4
5	CREDIT5
***TOTAL 16.25	
	P1L1

• Miscellaneous menu

[MISC FUNC] →

M.FUNC	
01	RCP SW.
02	INTERMED.
03	BANK CONSOLE
04	***RA
05	***RA2
***TOTAL 16.25	
	P1L1

• Cash menu (Option)

[CA #] →

CA.MN	
1	CASH
2	CASH2
3	CASH3
4	CASH4
5	CASH5
***TOTAL 16.25	
	P1L1

• Text menu (Option)

[TEXT #] →

TEXT#	
01	TEXT01
02	TEXT02
03	TEXT03
04	TEXT04
05	TEXT05
***TOTAL 0.00	
	P1L1

Example

```

REG          0001
1x2.50      2.50
DPT. 01
***TOTAL    2.50
            P1L1
    
```



```

CHK.MN
1 CHECK
2 CHECK2
3 CHECK3
4 CHECK4
5 CHECK5
***TOTAL    2.50
            P1L1
    
```



```

REG          0001
1x2.50      2.50
AMOUNT ?
            2.50
***TOTAL    2.50
            P1L1
    
```

Selling a department code 1 item and finalize through check 2

1. Press the key.

2. Press the key.
 - The CHECK menu window will appear.

3. Move the cursor to "CHECK2" using arrow keys, and press the key. Or press the numeric key 2.

4. Enter the amount, and press the key. The transaction will be finalized.

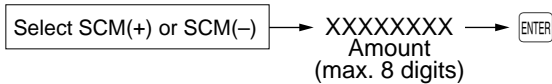
Starting Cash Memory Entry

If you enter an amount of change (starting cash) in the drawer before starting entry operations, you can discriminate that amount from the sales amount when reports are generated.

Your POS terminal can be programmed to enforce the entry of starting cash into memory. For details, contact your authorized SHARP dealer.

Procedure

Select the OP X/Z mode and perform the following operation:



CLK#0001	JACK	*0.00
SCM (+)		*55.50
SCM TTL		*55.50

Item Entries

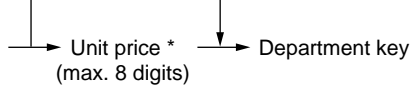
Single item entries

Department entries (direct department entries)

Enter a unit price and press a department key. If you use a programmed unit price, press a department key only.

Procedure

When using a programmed unit price



*Less than the programmed upper limit amounts

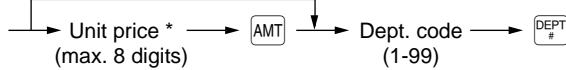
NOTE

When those departments for which the unit price has been programmed as zero (0) are entered, only the sales quantity is added.

Department entries (indirect department entries)

Procedure

When using a programmed unit price



*Less than the programmed upper limit amounts

Example

Key operation

```

    1200 [6]
           [7]
           [DEPT #]
    680 [AMT] [5] [DEPT #]
           [TL]
  
```

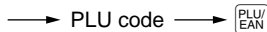
Display

REG	0001
1x1.25	1.25
DPT. 08	
1x6.80	6.80
DPT. 05	
CASH	22.40
***TOTAL	22.40
2 47	P1L1

PLU entries (indirect PLU entries)

Enter a PLU code and press the key.

Procedure

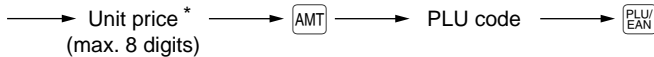


NOTE

When those PLUs for which the unit price has been programmed as zero (0) are entered, only the sales quantity is added.

Subdepartment (open PLU) entries

Procedure

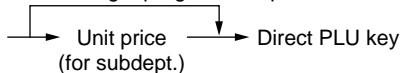


*Less than the programmed upper limit amounts

PLU entries (direct PLU entries)

Procedure

When using a programmed price



*Less than the programmed upper limit amounts

Example

Key operation

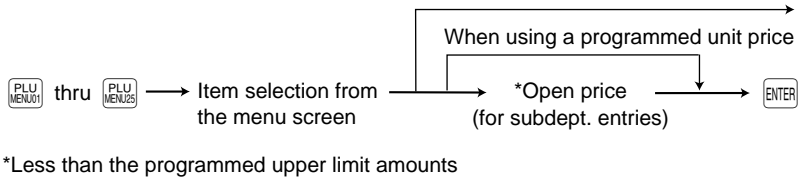
2 **PLU/EAN**
 1200 **AMT** 16 **PLU/EAN**
 8
TL

Display

REG	0001
1x12.00	12.00
PL00016	
1x3.52	3.52
PL00008	
CASH	16.77
***TOTAL	16.77
2 49	P1L1

PLU menu-based entries (PLU entries and subdepartment entries)

Procedure



NOTE To exit the menu screen, press the **TL** or **CANCEL** key.

Example

Key operation

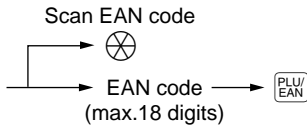
[Select PLU code 15
 from the menu window.]
TL

Display

REG	0001
1x2.25	2.25
PL00015	
CASH	2.25
***TOTAL	2.25
2 51	P1L1

EAN entries

Procedure



* After an EAN entry, you may be requested to enter a unit price with the display "UNDEFINED CODE" and beep sound. In this case, enter the unit price and press the **ENTER** key.

Example

Key operation

5012345678900 **PLU/EAN**
TL

Display

REG	0001
1x3.00	3.00
ITEM A	
CASH	3.00
***TOTAL	3.00
3 01	P1L1

Repeat entries

You can use this function for entering a sale of two or more the same items.

You can use the **REPEAT** key to repeat entry instead of department, **DEPT #**, direct PLU or **PLU/EAN** key.

Also, you can repeat item entry from a menu screen by pressing the **REPEAT** key.

Example	Key operation	Print
Repeated department entry (direct)	200 8	3x 2.00 DPT. 08 *6.00 2x 6.80 DPT. 05 *13.60
	8	
	8	
Repeated department entry (indirect)	680 AMT 5 DEPT #	3x 7.15 PL00010 *21.45 2x 2.85 PL00051 *5.70
	DEPT #	
	PLU/EAN	
Repeated PLU entry (indirect)	10 PLU/EAN	2x 5.00 PL00060 *10.00 2x 3.00 5012345678900#
	PLU/EAN	
	PLU/EAN	
Repeated PLU entry (direct)	51	ITEM-A *6.00 3x 6.00 DPT. 02 *18.00
	51	
Repeated subdepartment entry	500 AMT	CASH *80.75
	60 PLU/EAN	
	PLU/EAN	
Repeated EAN entry	5012345678900 PLU/EAN	
Repeated department entry (direct) using the repeat key	600 2	
	REPEAT	
	REPEAT	
	TL	

Multiplication entries

Use this feature when you need to enter two or more the same items.

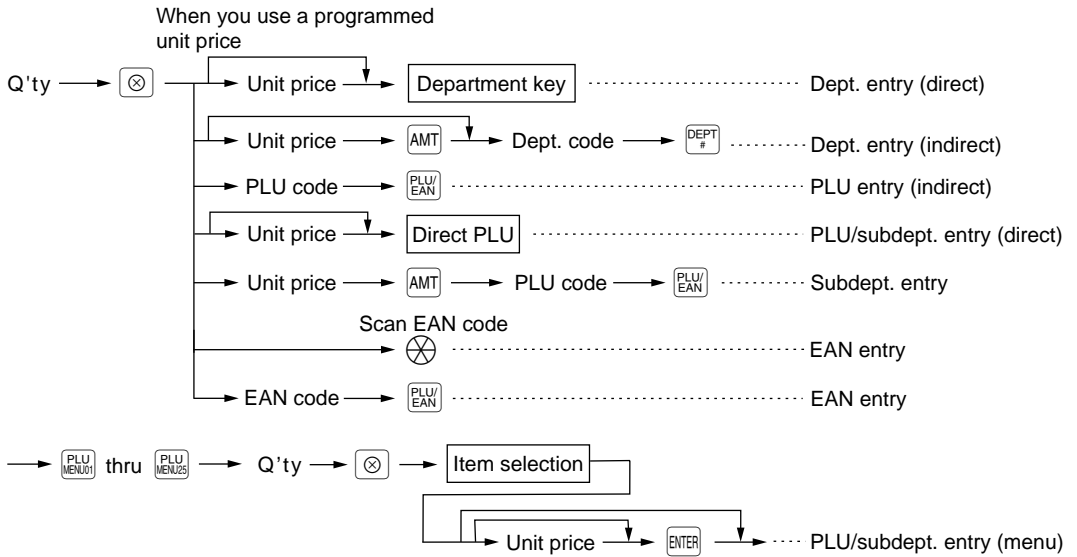
This feature helps you when you sell a large quantity of items or need to enter quantities that contain decimals.

Procedure

FF method (for speedy entries in the fast food restaurants)

Q'ty → **Direct PLU** PLU entry (direct)

Normal method



- After an EAN entry, you may be requested to enter a unit price with the display “UNDEFINED CODE” and beep sound. In this case, enter the unit price and press the **ENTER** key.
- Q'ty: Up to four-digit integer + three-digit decimal
- Unit price: Less than a programmed upper limit
- Q'ty x unit price: Up to seven digits

Example

Key operation

```

7 . 5 [⊗]
165 [8]
2 [⊗]
250 [AMT]
5 [DEPT #]
15 [⊗]
8 [PLU/EAN]
8 . 25 [⊗]
[58]
3 [⊗]
100 [AMT]
60 [PLU/EAN]
5 [⊗]
5012345678900 [PLU/EAN]
[PLU MENU01] 1 . 8 [⊗]
[Select PLU code 25 from the menu.]
[ENTER]
[TL]
  
```

Print

```

7.500x 1.65
DPT. 08          *12.38
2x 2.50
DPT. 05          *5.00
15x 2.10
PL00008          *31.50
8.250x 3.00
PL00058          *24.75
3x 1.00
PL00060          *3.00
5x 3.00
5012345678900#
ITEM-A          *15.00
1.800x 2.85
PL00025          *5.13

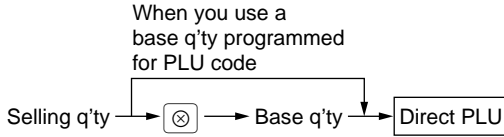
CASH           *96.76
  
```

Split-pricing entries

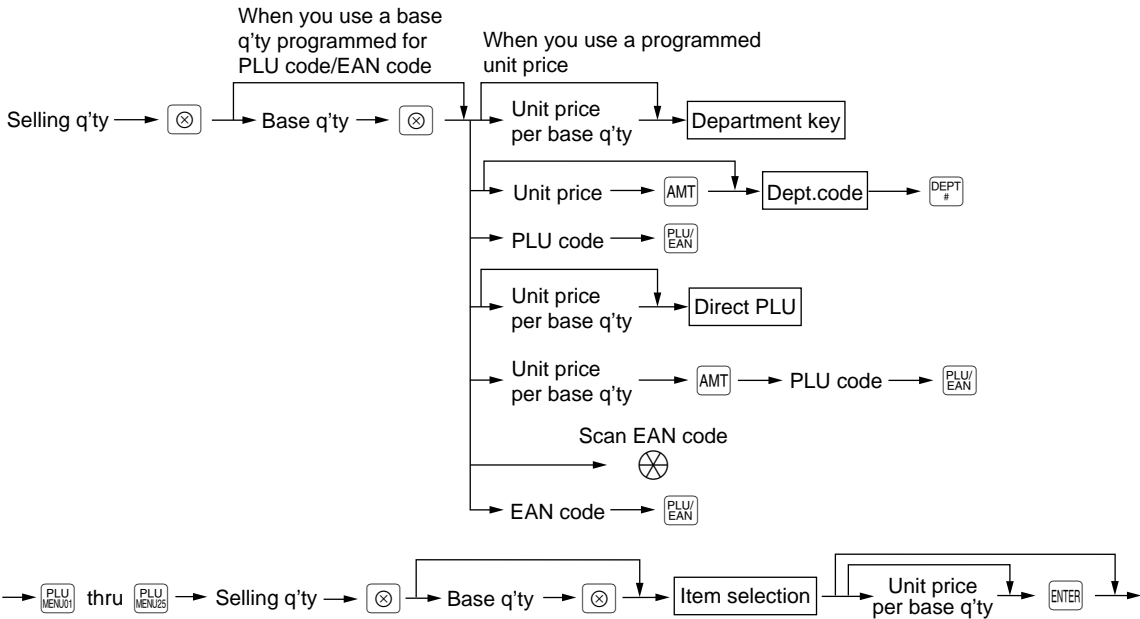
You will use this function when your customer wants to purchase more or less than the base quantity of a loose item.

Procedure

FF method



Normal method



- After an EAN entry, you may be requested to enter a unit price with the display "UNDEFINED CODE" and beep sound. In this case, enter the unit price and press the **ENTER** key.
- Selling quantity: Up to four-digit integer + three-digit decimal
- Base quantity: Up to two digits (integer)

NOTE

For actual use of this function, consult your authorized SHARP dealer.

Example

Key operation

```

    7 ⊗ 10 ⊗
      600 7
    8 ⊗ 5 ⊗
      35 PLU/EAN
    5 ⊗ 6 ⊗
    5045678912304 PLU/EAN
    PLU MENU01 3 ⊗ 5 ⊗
    [ Select PLU code 50
      from the menu. ]
    ENTER
    TL
  
```

Print

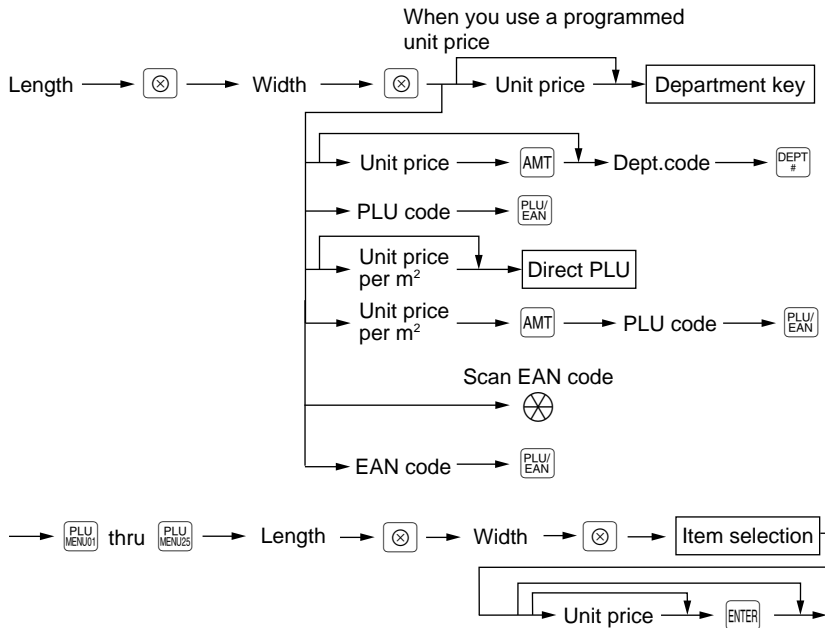
```

    7x 10/ 6.00
    DPT. 07          *4.20
    8x 5/ 3.00
    PL00035         *4.80
    5x 6/ 8.75
    5045678912304#
    ITEM-P          *7.30
    3x 5/ 8.00
    PL00050         *4.80
    CASH            *21.10
  
```

■ Successive multiplication entries

This function is practical for example when you enter a sale of items sold by area (square meter).

Procedure



- After an EAN entry, you may be requested to enter a unit price with the display “UNDEFINED CODE” and beep sound. In this case, enter the unit price and press the **ENTER** key.
- Length or width: up to seven digits (4-digit integer + 3-digit decimal)
- Unit price: less than a programmed upper limit
- Length x Width x Unit price: up to eight digits

Example

Key operation

```

3 [x] 4 [x]
  400 [5]
1 [.] 5 [x]
2 [.] 5 [x]
  8 [PLU/EAN]
1 [.] 75 [x]
1 [.] 75 [x]
  600 [AMT]
  3 [PLU/EAN]
4 [x] 5 [x]
50998876543202 [PLU/EAN]
[PLU MENU] 1 [.] 2 [x]
1 [.] 2 [x]
[Select PLU code 50
from the menu.]
[ENTER]
[TL]
  
```

Print

```

3x 4x 4.00
DPT. 05 *48.00
1.500x 2.500x 3.00
PL00008 *11.25
1.750x 1.750x 6.00
PL00003 *18.38
4x 5x 5.00
509988765432#02
ITEM-M *100.00
1.200x 1.200x 8.00
PL00050 *11.52
CASH *189.15
  
```

■ Single item cash sale (SICS)/single item finalize (SIF) entries

The operation is the same as that for normal department/PLU/EAN entries. The SICS and SIF functions can be available only when the KP receipt type is "addition receipt type."

SICS entries

- This function is useful when a sale is for only one item and is for cash; such as a pack of cigarettes. This function is applicable only to those departments that have been set for SICS or to their associated PLUs, subdepartments or EANs.
- The transaction is finalized and the drawer opens as soon as you press the department key, DEPT # key, PLU/EAN key or the direct PLU key.

Example	Key operation	Print						
	250 For finishing → 9 the transaction	<table style="width: 100%; border-collapse: collapse;"> <tr> <td style="width: 60%;">1x 2.50</td> <td style="width: 40%;"></td> </tr> <tr> <td>DPT. 09</td> <td style="text-align: right;">*2.50</td> </tr> <tr> <td>CASH</td> <td style="text-align: right;">*2.50</td> </tr> </table>	1x 2.50		DPT. 09	*2.50	CASH	*2.50
1x 2.50								
DPT. 09	*2.50							
CASH	*2.50							

NOTE *If an entry to a department, PLU/subdepartment or EAN set for SICS follows the ones to departments, PLUs/subdepartments or EAN not set for SICS, it does not finalize and results in a normal sale.*

SIF entries

- If an entry to a department, PLU/subdepartment or EAN set for SIF follows the ones to departments, PLUs/subdepartments or EANs not set for SIF, the transaction is finalized immediately as a cash sale.
- Like the SICS function, this function is available for single-item cash settlement.

Example	Key operation	Print										
	1745 8 1500 For finishing → 9 the transaction	<table style="width: 100%; border-collapse: collapse;"> <tr> <td style="width: 60%;">1x 17.45</td> <td style="width: 40%;"></td> </tr> <tr> <td>DPT. 08</td> <td style="text-align: right;">*17.45</td> </tr> <tr> <td>1x 15.00</td> <td></td> </tr> <tr> <td>DPT. 09</td> <td style="text-align: right;">*15.00</td> </tr> <tr> <td>CASH</td> <td style="text-align: right;">*32.45</td> </tr> </table>	1x 17.45		DPT. 08	*17.45	1x 15.00		DPT. 09	*15.00	CASH	*32.45
1x 17.45												
DPT. 08	*17.45											
1x 15.00												
DPT. 09	*15.00											
CASH	*32.45											

■ Scale entries

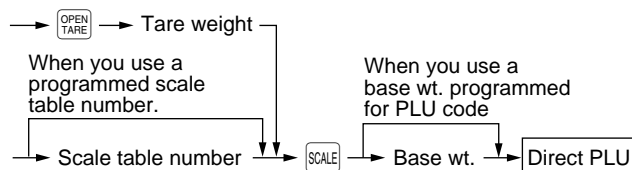
You have a choice of either the manual or automatic method for scale entry.

If the first method is chosen, the clerk needs to enter the reading of the scale manually. If the second one is chosen, the weight is automatically read from the connected scale (option) and appears in the POS terminal display. If you need manual scale entries, contact your authorized SHARP dealer.

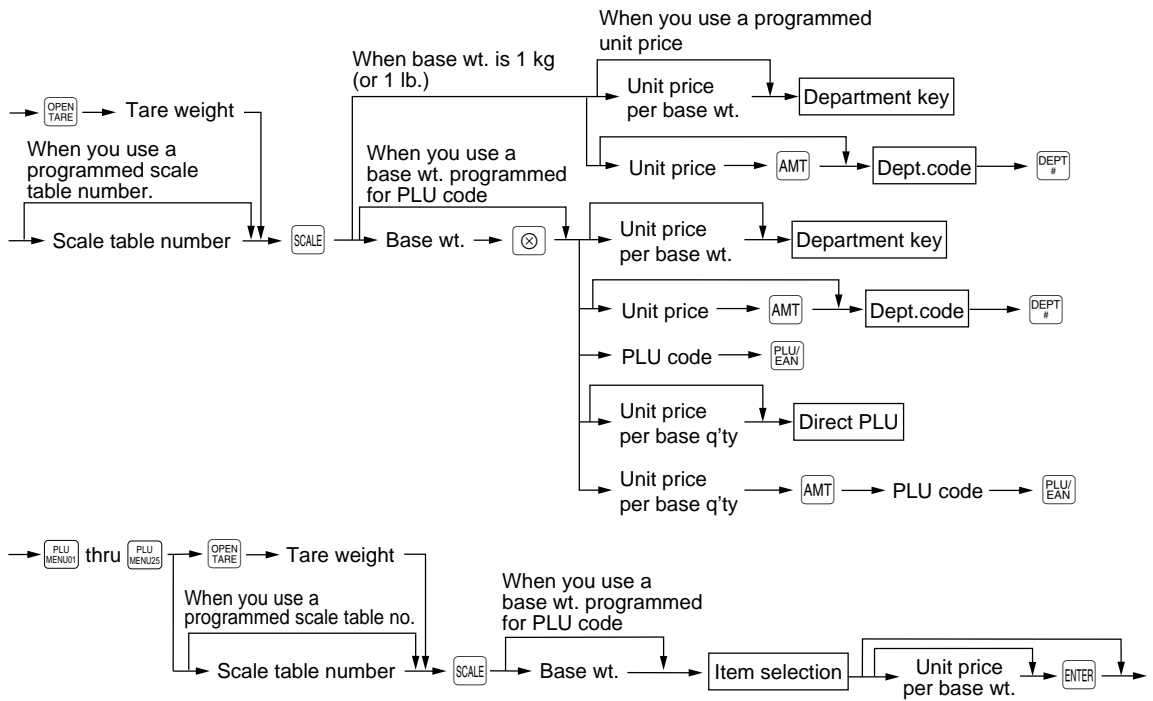
Auto scale entries

Procedure

FF method



Normal method



- Tare weight: Up to 4 digits (integer + decimal)
- Net weight: Up to 5 digits (integer + decimal)
- Base weight: Up to 2 digits (integer)
- Scale table number: 1 to 9

NOTE

- The POS terminal can be programmed with up to nine scale tables and allows different tares to be assigned to them.
- When the **SCALE** key is pressed, the net weight is automatically read from the connected scale (option) and appears in the POS terminal display.
- When the PLU is programmed for "Compulsory scale entry," it is not necessary to press the **SCALE** key.
- To issue a receipt which shows only a tare weight, press **OPEN TARE**, enter a tare weight, then press **SCALE** and **TL**.
- The currency descriptor is displayed/printed when it is programmed for the CHECK.

Example

Key operation

SCALE 8 **PLU/EAN**
 200 **ENTER**
SCALE 10
TL

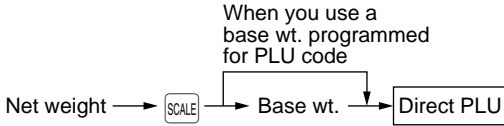
Print

3.000kgx 2.00 /kg	
PL00008	*6.00
5.000kgx 7.15 /kg	
PL00010	*35.75
CASH	*41.75

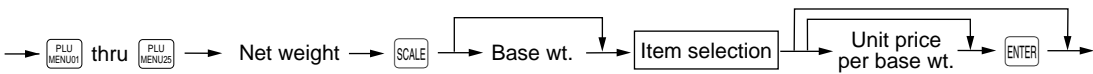
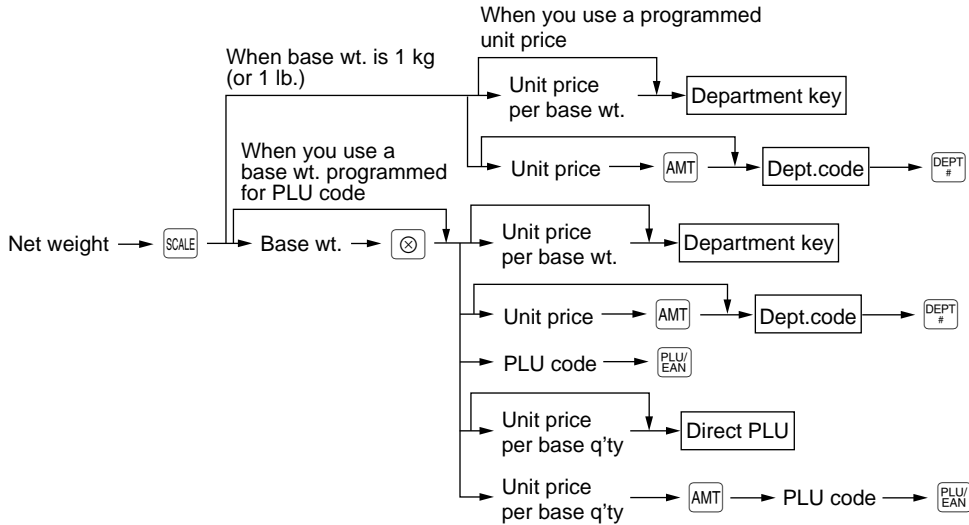
Manual scale entries

Procedure

FF method



Normal method



- Net weight: Up to 5 digits (integer + decimal)
- Base weight: Up to 2 digits (integer)

NOTE

- The net weight is automatically calculated using the programmed tare weight.
- The currency descriptor is displayed/printed when it is programmed for the CHECK.

Example

Key operation

9 [SCALE] [10]
[TL]

Print

```

3.000kgx 7.15 /kg
PL00010          *21.45
CASH            *21.45
  
```


Set selling

This function is convenient for matching several PLU/EAN items and selling them in a lump (e.g. value meal etc.). Operation is the same as for normal PLU/EAN. The promotion table consists of the text for a table, the discount amount, and the trip level for discount (satisfying count of entered item) for each PLU/EAN. One table can be assigned max. 5 kind of items. If the transaction is finalized under the following condition, the sales amount may be discounted as follows:

- The total quantity of the sales meet the trip level which is programmed in the promotion table.
- Items of the sales are programmed in the promotion table.

Promotion items of table no. 2: Item-A (*3.00), Item-B (*2.50), Item-C (*2.10)

Trip level for each item: Item-A (1), Item-B (1), Item-C (2)

Discount amount: *4.00

<Sale 1>		<Sale 2>		
Item-A	*3.00	Item-A	*3.00	
Item-B	*2.50	Item-A	*3.00	
Item-C	*2.10	Item-B	*2.50	
Item-C	*2.10	Item-C	*2.10	
<hr/>		<hr/>		
Subtotal	*9.70	Subtotal	*10.60	
Discount	-4.00	Discount	-0.00	----- Discount is not allowed.
Total	*5.70	Total	*10.60	(Q'ty of the item-C should be two.)

Example

In the case of <Sale 1> above

Key operation

Treated as *3.00 item →
 Treated as *2.50 item →
 Treated as *2.10 item →
 Treated as *2.10 item →

Print

1x 3.00		
PL00040		*3.00
1x 2.50		
PL00041		*2.50
2x 2.10		
PL00042		*4.20
VALUE SET	1Q	-4.00
CASH		*5.70

Promotion discount

■ PLU/EAN link entries

In case that you register a PLU or EAN that has any PLU linked with the PLU or EAN, the linked PLU(s) are automatically registered together with the leading link PLU or EAN when it is registered. The print format on the receipt depends on the programming (PRINT SELEC2 in OPTIONAL menu in PGM2 mode) as described below.

Printing detailed information

The description texts and amounts of the leading link PLU/EAN and the linked PLUs are printed individually.

Example

(In case of link PLU)

Key operation

Print

1x 3.50		
PL00021		*3.50
1x 3.00		
PL00025		*3.00
1x 2.00		
PL00026		*2.00
1x 8.00		
PL00027		*8.00
CASH		*16.50

Linked PLUs

Printing leading link PLU/EAN and total sales amount

The description text of the leading link PLU/EAN and the total sales amount of the leading link PLU/EAN and the linked PLUs are printed.

Example	(In case of link PLU)							
	Key operation	Print						
	<div style="border: 1px solid black; padding: 2px; display: inline-block; margin: 2px;">21</div> <div style="border: 1px solid black; padding: 2px; display: inline-block; margin: 2px;">TL</div>	<div style="border: 1px solid black; padding: 5px; width: fit-content;"> <table border="0" style="width: 100%;"> <tr> <td style="width: 60%;">1x 16.50</td> <td style="width: 40%;"></td> </tr> <tr> <td>PL00021</td> <td style="text-align: right;">*16.50</td> </tr> <tr> <td>CASH</td> <td style="text-align: right;">*16.50</td> </tr> </table> </div>	1x 16.50		PL00021	*16.50	CASH	*16.50
1x 16.50								
PL00021	*16.50							
CASH	*16.50							
		Total amount						

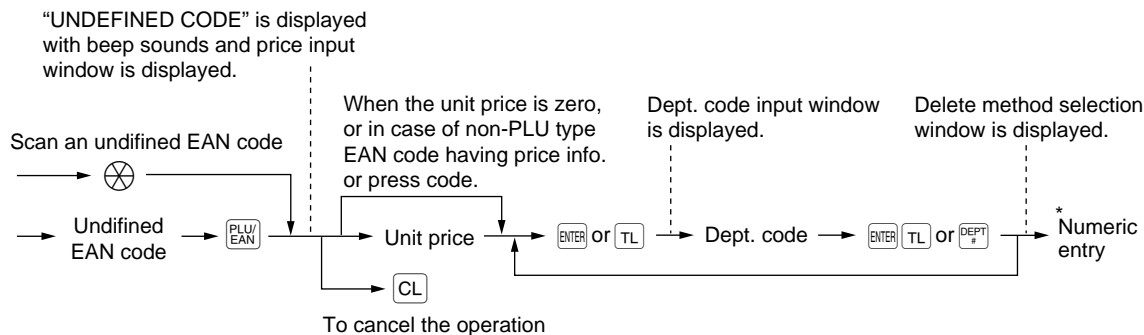
NOTE If a discount entry is made for a link PLU/EAN link, the discount amount is calculated based on the total sales amount. The discount itself is given to the leading link PLU/EAN.

■ EAN learning function

When you enter or scan an undefined code, you are required to enter its unit price and the associated department. The code, associated department and unit price entered are stored in the EAN file or the dynamic EAN file and used for future EAN sales entries.

- NOTE**
- When there is no capacity remained in the file, the data is not stored in the file.
 - For the text for the EAN code, the text of its associated department is applied.
 - You can use the EAN learning function in the training mode. This may be convenient to practice the scanning system.

Procedure



* Select "1 AUTO DELETE" when you want to exempt the EAN code entered from the non-accessed EAN delete function (deletion by selecting DELETE option from EAN DELETE menu in Z1 mode).

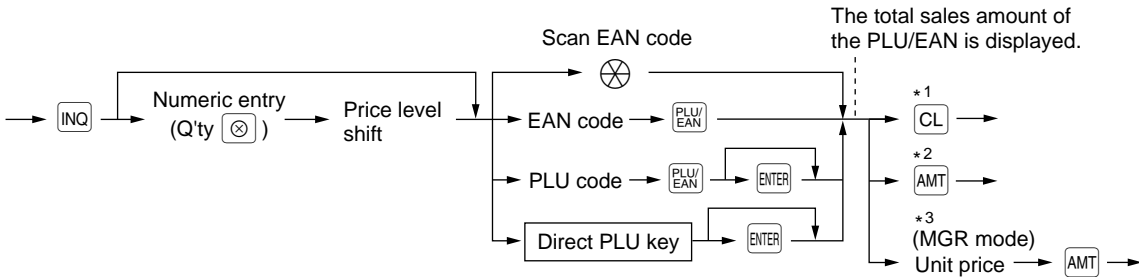
NOTE For the repeat entry, use the **REPEAT** key.

Example	Key operation	Print								
<p>"UNDEFINED CODE" is displayed. →</p>	<p>5099887654302 <div style="border: 1px solid black; padding: 2px; display: inline-block; margin: 2px;">PLU/EAN</div> 750 <div style="border: 1px solid black; padding: 2px; display: inline-block; margin: 2px;">TL</div> 5 <div style="border: 1px solid black; padding: 2px; display: inline-block; margin: 2px;">ENTER</div> 1 <div style="border: 1px solid black; padding: 2px; display: inline-block; margin: 2px;">TL</div> <div style="border: 1px solid black; padding: 2px; display: inline-block; margin: 2px;">TL</div></p>	<div style="border: 1px solid black; padding: 5px; width: fit-content;"> <table border="0" style="width: 100%;"> <tr> <td style="width: 60%;">1x 7.50</td> <td style="width: 40%;"></td> </tr> <tr> <td>5099887654302#</td> <td></td> </tr> <tr> <td>DPT. 05</td> <td style="text-align: right;">*7.50</td> </tr> <tr> <td>CASH</td> <td style="text-align: right;">*7.50</td> </tr> </table> </div>	1x 7.50		5099887654302#		DPT. 05	*7.50	CASH	*7.50
1x 7.50										
5099887654302#										
DPT. 05	*7.50									
CASH	*7.50									

■ Price inquiry (view) function

You can use this function when you want to know the unit price of the PLU/EAN item during transaction in the REG/MGR mode.

Procedure



*1: Press the **CL** key to cancel the the inquiring (view) mode.

*2: Press the **AMT** key when you want to register the unit price of the PLU/EAN displayed.

*3: You can change the unit price temporarily in the MGR mode. The unit price which is programmed in PGM mode is not changed (Price override entry).

NOTE For the repeat entry, use the **REPEAT** key.

Example

Key operation

Price is displayed. →

5089123456708

5 **PLU/EAN**
INQ
PLU/EAN
AMT
TL

Print

1x 1.50	
PL00005	*1.50
1x 5.25	
5089123456708#	
ITEM-D	*5.25
CASH	*6.75

■ EAN price change function

NOTE To use this function, consult your dealer.

You can use this function when you need to change the unit price or associated department of an EAN item in REG/MGR mode.

There are two methods for change:

1. Price change mode

You can change the preset price and/or the associated department of an EAN item without entering PGM mode.

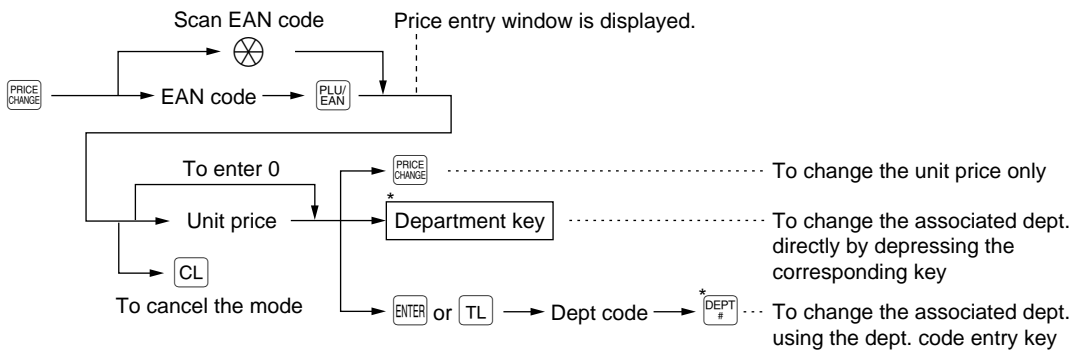
2. Changing price during a transaction

When you have found a wrong EAN price and/or associated department upon transaction, you can correct them at the time of transaction. With the entry of new price and/or associated department, the preset price and/or associated department is automatically changed to the new price and/or associated department.

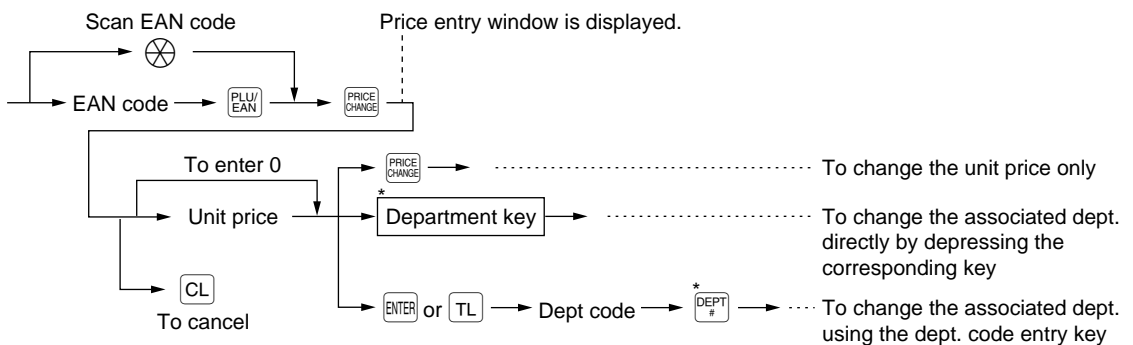
NOTE For the Non-PLU type EAN codes having price info. and press codes, the prices in the codes have the priority over the preset prices. So, for these codes, a changed price is valid only when price change is executed.

Procedure

Price change mode



Changing price during a transaction






*: Associated department can be changed only when the totalizer of the item is "0".

Example

Price change mode

Key operation

5087654321106 
 600 


Print





```

DEPT03      *PR. CHNG*
5087654321106#
ITEM-J      *6.00
  
```

Example

Changing a price during a transaction

Key operation

5087654321106 
 600 



Print

```

1x 6.00
5087654321106#
ITEM-J      *6.00
CASH      *6.00
  
```




The journal printer prints the following format in this position.

```

1x 5.30
5087654321106#
ITEM-J      *5.30
5087654321106#
ITEM-J      *PR. CHNG*
DEPT03      V-5.30
  
```

Associated dept. no.

NOTE

- When an undefined code is entered in the price change mode, the register goes to an error status.
- When you press the  key during a transaction, the EAN entry is voided of the 1st depression of the  key, then you are allowed to enter a correct price and/or associated department.
- When an associated department is changed, the item label for the department will be also changed automatically to the item label of new associated department.
- For the repeat entry, use the  key.

Combo meal PLU/EAN entries

Operation is the same as that for normal PLU/EAN entries.

When a Combo meal PLU/EAN is entered, the labels of those PLUs tied to the Combo PLU/EAN are printed automatically. The sum of all adjusted prices (of those PLUs tied to the Combo PLU) becomes the “combo” price setting.

Example

Key operation




Print

```

1x 15.00
PL00012      *15.00
PL00014
PL00015
PL00016
CASH      *15.00
  
```

NOTE

When combo meal is registered, q'ty totalizer of the combo PLU/EAN and amount totalizer of each tied PLU are updated.

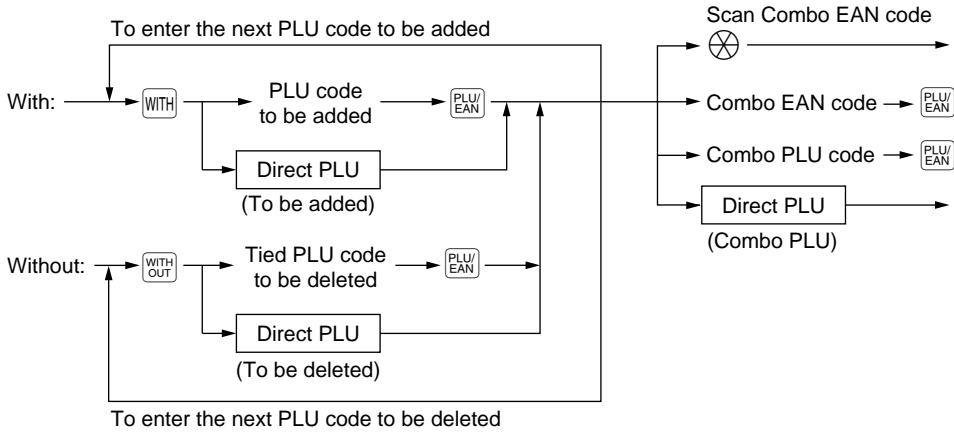
■ With/without entries

A maximum of 10 tied PLUs of the Combo PLU can be modified (added or deleted) temporarily by using **WITH** and **WITHOUT** keys.

With: To add a PLU to the combo PLU/EAN.

Without: To delete a linked PLU from the combo PLU/EAN.

Procedure



NOTE The “with” and “without” operation is allowed a total of 20 times.

Example

Key operation

WITHOUT 17 **PLU/EAN**
WITH 16 **PLU/EAN**
 12 **PLU/EAN**
TL

Print

```

1x 15.00
PL00012          *15.00
PL00015
PL00016
PL00016
CASH             *15.00
  
```

■ PLU level shift (for direct PLUs)

This shift can double or triple the number of direct PLUs on your POS terminal without adding additional direct PLU keys. You can use direct PLUs in three levels by utilizing the PLU level shift number key, **LEVEL** or the PLU level shift keys **L1** thru **L3**.

Level key shifts the PLU level from the other two to the required level. (The normal level is the level 1.)

You must program your machine in the PGM mode to select one of the two PLU level shift modes — automatic return mode* and lock shift mode** — and decide whether to allow PLU level shift in both the REG and MGR modes or in the MGR mode alone.

* The automatic return mode automatically shifts the PLU level back to level 1 after pressing a direct PLU key or finalizing each transaction.

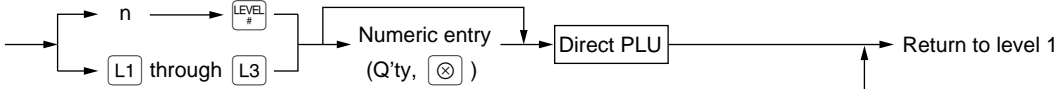
** The lock shift mode holds the current PLU level until depression of a PLU level shift key.

Automatic return mode (for PLU levels)

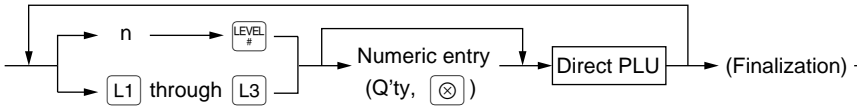
If your terminal has been programmed for PLU level in the automatic return mode, press a desired PLU level shift key before a numeric entry.

Procedure

(Returning every item entry) n:PLU shift no.



(Returning every transaction)

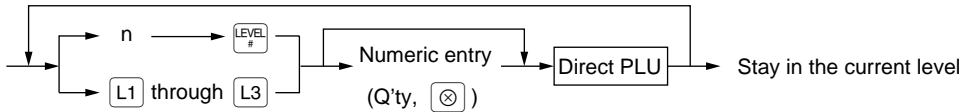


NOTE When you use the FF method, you need not press the ⊗ key for multiplication entries.

Lock shift mode (for PLU levels)

If your terminal has been programmed for PLU level in the lock shift mode, press a desired PLU level shift key before a numeric entry.

Procedure



NOTE When you use the FF method, you need not press the ⊗ key for multiplication entries.

Example

Level 1 : PLU code 1, PLU code 2
 Level 2 : PLU code 70, PLU code 65

- When your POS terminal has been programmed for the automatic return mode (by one item):

Key operation	Print														
2 LEVEL # 1 1 2 TL	<table border="1"> <tr><td>1x 1.91</td><td></td></tr> <tr><td>PL00001</td><td>*1.91</td></tr> <tr><td>1x 12.00</td><td></td></tr> <tr><td>PL00070</td><td>*12.00</td></tr> <tr><td>1x 2.50</td><td></td></tr> <tr><td>PL00002</td><td>*2.50</td></tr> <tr><td>CASH</td><td>*16.41</td></tr> </table>	1x 1.91		PL00001	*1.91	1x 12.00		PL00070	*12.00	1x 2.50		PL00002	*2.50	CASH	*16.41
1x 1.91															
PL00001	*1.91														
1x 12.00															
PL00070	*12.00														
1x 2.50															
PL00002	*2.50														
CASH	*16.41														

- When your POS terminal has been programmed for the lock shift mode:

Key operation	Print														
1 LEVEL # 1 2 LEVEL # 1 2 TL	<table border="1"> <tr><td>1x 1.91</td><td></td></tr> <tr><td>PL00001</td><td>*1.91</td></tr> <tr><td>1x 12.00</td><td></td></tr> <tr><td>PL00070</td><td>*12.00</td></tr> <tr><td>1x 5.00</td><td></td></tr> <tr><td>PL00065</td><td>*5.00</td></tr> <tr><td>CASH</td><td>*18.91</td></tr> </table>	1x 1.91		PL00001	*1.91	1x 12.00		PL00070	*12.00	1x 5.00		PL00065	*5.00	CASH	*18.91
1x 1.91															
PL00001	*1.91														
1x 12.00															
PL00070	*12.00														
1x 5.00															
PL00065	*5.00														
CASH	*18.91														

Price level shift

Three different price levels can be programmed for each PLU/EAN.

The price levels can be changed for PLU/EAN registrations.

You can shift the PLU/EAN price level (level 1 thru 3) by utilizing the price shift keys **PRICE SHIFT1** thru **PRICE SHIFT3**.

You must program a price level shift mode (i.e. automatic return mode* or lock shift mode**) and the operating modes to be used for the price level shift (i.e. both REG and MGR modes or MGR mode alone).

* The automatic return mode automatically shifts the PLU/EAN price level back to level 1 after a PLU/EAN shift entry. You can select whether the price level should return each time you enter one item or each time you finalize one transaction.

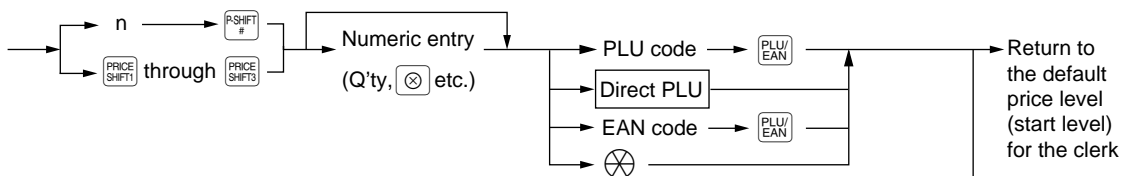
** The lock shift mode holds the current PLU/EAN price level until pressing a price level shift key.

Automatic return mode (for price shifts)

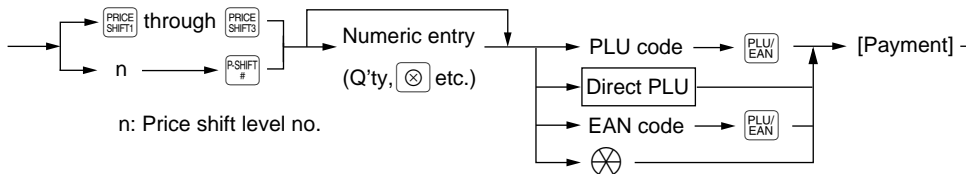
If your terminal has been programmed for PLU/EAN price level in the automatic return mode, press a desired price level shift key before a numeric entry.

Procedure

(each item) n: Price shift level no.



(each transaction)

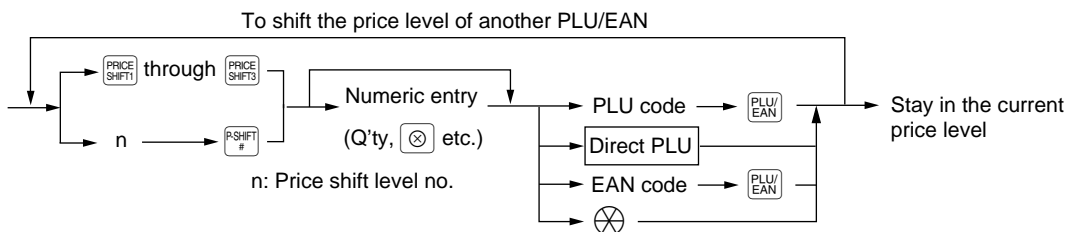


NOTE When you use the FF method, you need not press the **⊗** key for multiplication entries.

Lock shift mode (for PLU levels)

If your terminal has been programmed for PLU level in the lock shift mode, press a desired PLU level shift key before a numeric entry.

Procedure



NOTE When you use the FF method, you need not press the **⊗** key for multiplication entries.

Example

PLU price level 1: PLU code 1 (@1.91), PLU code 2 (@0.79)

PLU price level 2: PLU code 1 (@2.00), PLU code 2 (@0.99)

- When your POS terminal has been programmed for the automatic return mode (by one item):

Key operation	Print														
	<table border="1" style="width: 100%; border-collapse: collapse;"> <tr><td>1x 1.91</td><td></td></tr> <tr><td>PL00001</td><td style="text-align: right;">*1.91</td></tr> <tr><td>1x 2.00</td><td></td></tr> <tr><td>PLU1-P2</td><td style="text-align: right;">*2.00</td></tr> <tr><td>1x 0.79</td><td></td></tr> <tr><td>PL00002</td><td style="text-align: right;">*0.79</td></tr> <tr><td>CASH</td><td style="text-align: right;">*4. 70</td></tr> </table>	1x 1.91		PL00001	*1.91	1x 2.00		PLU1-P2	*2.00	1x 0.79		PL00002	*0.79	CASH	*4. 70
1x 1.91															
PL00001	*1.91														
1x 2.00															
PLU1-P2	*2.00														
1x 0.79															
PL00002	*0.79														
CASH	*4. 70														

- When your POS terminal has been programmed for the lock shift mode:

Key operation	Print														
	<table border="1" style="width: 100%; border-collapse: collapse;"> <tr><td>1x 1.91</td><td></td></tr> <tr><td>PL00001</td><td style="text-align: right;">*1.91</td></tr> <tr><td>1x 2.00</td><td></td></tr> <tr><td>PLU1-P2</td><td style="text-align: right;">*2.00</td></tr> <tr><td>1x 0.99</td><td></td></tr> <tr><td>PLU2-P2</td><td style="text-align: right;">*0.99</td></tr> <tr><td>CASH</td><td style="text-align: right;">*4. 90</td></tr> </table>	1x 1.91		PL00001	*1.91	1x 2.00		PLU1-P2	*2.00	1x 0.99		PLU2-P2	*0.99	CASH	*4. 90
1x 1.91															
PL00001	*1.91														
1x 2.00															
PLU1-P2	*2.00														
1x 0.99															
PLU2-P2	*0.99														
CASH	*4. 90														

■ Condiment entries (for PLU)

Your POS terminal may be programmed for prompting condiment and preparatory instructions for a menu-item PLU.

Example:

When you enter a menu-item PLU, a prompting message such as "HOWCOOK?" and a list of the "Following PLUs" will appear. You must specify one of the "Following PLUs" such as "without mustard" to meet a special order of the guest. In an example of the condiment table shown below, it is assumed that the condiment table no.1 is assigned to PLU code 21 (programmed text "STEAK") and table no. 4 is assigned to table no. 1 as the next table no. When you enter the PLU code 21, the message "HOWCOOK?" will appear to prompt you to specify one of "RARE," "MED.RARE," and "WELLDONE." If the guest chooses "RARE," select it from the list. Then the next message "POTATO?" will appear to prompt you to specify one of "P.CHIPS," "MASHED.P," and "BAKED.P." If the guest chooses "MASHED.P," select it. Then press the TL key to end this entry.

Here is an example of how to perform a condiment entry when your condiment table is as shown below.

Table number	PLU codes for condiment entry (programmed text, price)				Next table no.
1	(HOWCOOK?)	23 (RARE 0.00)	25 (MED.RARE 0.00)	27 (WELLDONE 0.00)	4
4	(POTATO?)	33 (P. CHIPS 0.60)	37 (MASHED.P 0.60)	38 (BAKED.P 0.50)	_____

Menu-item
PLUs

Message text

PLUs

Example

Key operation

[Select "RARE"
 from the list.]

 [Select "MASHED.P"
 from the list.]

Display

```

HOWCOOK?
01 RARE
02 MED.RARE
03 WEKK DONE

***TOTAL 10.00
      P1L1
    
```



```

POTATO?
01 P.CHIPS
02 MASHED.P
03 BAKED.P

***TOTAL 10.00
      P1L1
    
```



```

REG          0001
1x0.00      0.00
}RARE
1x0.60      0.60
}MASHED.P
CASH          10.60
***TOTAL 10.60
3:32        P1L1
    
```

NOTE

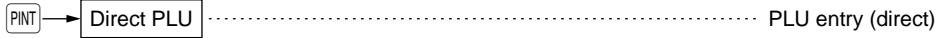
- Your POS terminal will continue to operate for the condiment entry until you finish the entire condiment entry programmed for the PLU. During the condiment entry, if you enter a normal PLU, which is not in the condiment table, an error message will appear.
- When the key is pressed, the entry skips to the next table which is programmed.
- When the key is pressed, its condiment entry is canceled in the programmed mode (REG/MGR or MGR).
- When you enter a PLU priced at "0.00," only the text will be printed on the receipt.
- No refund entry is possible for any condiment entries. When you perform a refund entry with a menu-item PLU and the condiment PLUs assigned to the menu-item PLU are automatically registered as a refund entry.
- You may omit the compulsory condiment entry by pressing the key.
- The cursor void entry is allowed for those PLUs that are entered as condiments (menu and condiment).
- The multiplication entry can be made for each condiment item independently. However, sum of the entered quantity per condiment table have to be same or below as menu PLU registration. When no multiplication entry is made, the quantity is decided automatically to reach number of menu PLU registration.
- You can press the key to shift a price level during the condiment PLU entry.

■ Pint entries

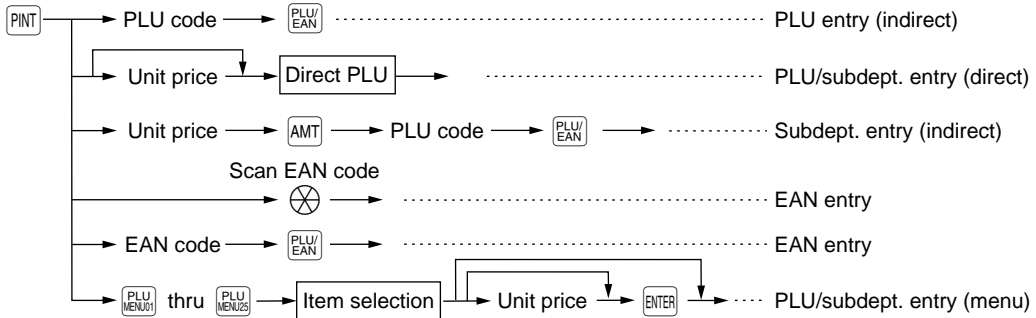
Using this function, you can sell an item with the desired quantity such as a half and a double. To perform this function, press the **PINT** key and enter an item assigned a PLU/EAN code for which you have programmed a pint price and a pint quantity. The price for the pint quantity will appear on the receipt. For details, contact your authorized SHARP dealer.

Procedure

FF method



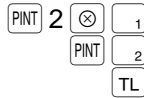
Normal method



- Unit price: Less than a programmed upper limit

Example

Key operation



Print

2x 1.00	
PL00001	*2.00
1x 2.00	
PL00002	*2.00
CASH	*4.00

Display of Subtotals

Your POS terminal provides the following types of subtotals:

■ Subtotal

Press the **ST** key at any point during a transaction. The sales subtotal including tax will appear in the display.

■ Difference subtotal (Differ ST)

Press the **DIFFER ST** key at any point during a transaction. When you press it first, the subtotal of all entries which have been made is displayed and printed. If you press it second, you will get the subtotal of entries which have been made after you got the first subtotal. Taxes are calculated each time you press the **DIFFER ST** key.

Example

Key operation

1
2
DIFFER ST
3
TL

Print

1x 1.91	
PL00001	*1.91
1x 1.50	
PL00002	*1.50
DIFF ST	*3.41
1x 1.50	
PL00003	*1.50
DIFF ST	*1.50
CASH	*4.91

Finalization of Transaction

■ Cash or check tendering

Press the **[ST]** key to get an including-tax subtotal, enter the amount tendered by your customer, then press the **[TL]** or **[CA2]** through **[CA5]** key if it is a cash tender or press the **[CH1]** through **[CH5]** key if it is a check tender. When the amount tendered is greater than the amount of the sale, your POS terminal will show the change due amount and the symbol "CHANGE." Otherwise your POS terminal will show the symbol "DUE" and a deficit. Make a correct tender entry.

Example

Normal method

Key operation

}
[ST]
1000 **[TL]**

Print

1x 1.91	
PL00001	*1.91
1x 1.50	
PL00002	*1.50
***TOTAL	*3.41
CASH	*10.00
CHANGE	*6.59

Check tendering

Key operation

}
[ST]
1000 **[CH1]**

Print

1x 1.91	
PL00001	*1.91
1x 1.50	
PL00002	*1.50
***TOTAL	*3.41
CHECK	*10.00
CHANGE	*6.59

NOTE

You can also enter a cash or check tender from the cash or check menu window. Press the **[CA#]** or **[CH#]** key and select a pertinent cash or check number and enter the amount.

■ Mixed tendering (check + cash)

Example	Key operation	Print																
	? ST 1000 CH1 500 TL	<table border="1"> <tr><td>1x 10.00</td><td></td></tr> <tr><td>PL00001</td><td>*10.00</td></tr> <tr><td>1x 4.56</td><td></td></tr> <tr><td>PL00002</td><td>*4.56</td></tr> <tr><td>***TOTAL</td><td>*14.56</td></tr> <tr><td>CHECK</td><td>*10.00</td></tr> <tr><td>CASH</td><td>*5.00</td></tr> <tr><td>CHANGE</td><td>*0.44</td></tr> </table>	1x 10.00		PL00001	*10.00	1x 4.56		PL00002	*4.56	***TOTAL	*14.56	CHECK	*10.00	CASH	*5.00	CHANGE	*0.44
1x 10.00																		
PL00001	*10.00																	
1x 4.56																		
PL00002	*4.56																	
***TOTAL	*14.56																	
CHECK	*10.00																	
CASH	*5.00																	
CHANGE	*0.44																	

■ Cash or check sale that does not need any tender entry

Enter items and press the **TL** or **CA2** through **CA5** key if it is a cash sale or press the **CH1** through **CH5** key if it is a check sale. Your POS terminal will display the total sales amount.

Example	Key operation	Print										
	6 10 PLU/ EAN TL	<table border="1"> <tr><td>1x 3.00</td><td></td></tr> <tr><td>PL00006</td><td>*3.00</td></tr> <tr><td>1x 7.15</td><td></td></tr> <tr><td>PL00010</td><td>*7.15</td></tr> <tr><td>CASH</td><td>*10.15</td></tr> </table>	1x 3.00		PL00006	*3.00	1x 7.15		PL00010	*7.15	CASH	*10.15
1x 3.00												
PL00006	*3.00											
1x 7.15												
PL00010	*7.15											
CASH	*10.15											

In the case of check sale

1x 3.00	
PL00006	*3.00
1x 7.15	
PL00010	*7.15
CHECK	*10.15

■ Credit sale

Enter items and press the corresponding credit keys (**CR1** through **CR9**).

Example	Key operation	Print										
	6 7 CR1	<table border="1"> <tr><td>1x 3.00</td><td></td></tr> <tr><td>PL00006</td><td>*3.00</td></tr> <tr><td>1x 6.00</td><td></td></tr> <tr><td>PL00007</td><td>*6.00</td></tr> <tr><td>CREDIT1</td><td>*9.00</td></tr> </table>	1x 3.00		PL00006	*3.00	1x 6.00		PL00007	*6.00	CREDIT1	*9.00
1x 3.00												
PL00006	*3.00											
1x 6.00												
PL00007	*6.00											
CREDIT1	*9.00											

NOTE

- Amount tendering operations (i.e. change calculations) can be achieved by the **CR1** through **CR9** key when a PGM2 mode programming allows them.
- You can also enter a credit tender from the credit menu window. Press the **CR #** key and select a pertinent credit number and enter the amount.

■ Mixed-tender sale (cash or check tendering + credit tendering)

Example	Key operation	Print
	} 950 ST TL CR2	<pre> 1x 3.00 P00001 *3.00 1x 2.50 P00002 *2.50 1x 6.00 P00003 *6.00 ***TOTAL *11.50 CASH *9.50 CREDIT2 *2.00 </pre>

NOTE Press the CH1 through CH5 keys or the CR1 through CR9 keys in place of the TL key when your customer makes payment by checks or by credit account.

Computation of VAT (Value Added Tax)/Tax

■ VAT/tax system

The POS terminal may be programmed for the following six tax systems by your authorized SHARP dealer.

Automatic VAT 1 through 6 system (Automatic operation method using programmed percentages)

This system, at settlement, calculates VAT for taxable 1, taxable 2, taxable 3, taxable 4, taxable 5, and taxable 6 subtotals by using the corresponding programmed percentages.

Automatic tax 1 through 6 system (Automatic operation method using programmed percentages)

This system, at settlement, calculates taxes for taxable 1, taxable 2, taxable 3, taxable 4, taxable 5, and taxable 6 subtotals by using the corresponding programmed percentages, and also adds the calculated taxes to those subtotals, respectively.

Manual VAT 1 through 6 system (Manual entry method using programmed percentages)

Procedure → ST → VAT

This system provides the VAT calculation for taxable 1, taxable 2, taxable 3, taxable 4, taxable 5, and taxable 6 subtotals. This calculation is performed using the corresponding programmed percentages when the VAT key is pressed just after the ST key.

Manual VAT 1 system (Manual entry method for subtotals that uses VAT 1 preset percentages)

Procedure → ST → VAT rate → VAT

To use a programmed rate

This system enables the VAT calculation for the then subtotal. This calculation is performed using the VAT 1 preset percentages when the VAT key is pressed just after the ST key. For this system, the keyed-in tax rate can be used.

Manual tax 1 through 6 system (Manual entry method using programmed percentages)

Procedure → ST → VAT

This system provides the tax calculation for taxable 1, taxable 2, taxable 3, taxable 4, taxable 5, and taxable 6 subtotals. This calculation is performed using the corresponding programmed percentages when the VAT key is pressed just after the ST key. After this calculation, you must finalize the transaction.

Automatic VAT 1 through 3 and tax 4 through 6 system

This system enables the calculation in the combination with automatic VAT 1 through 3 and tax 4 through 6. This combination can be any of VAT 1 through 3 and tax 4 through 6. The tax amount is calculated automatically with the percentages previously programmed for these taxes.

NOTE VAT/tax assignment is printed at the fixed right position of the amount on the receipt and bill as follows:

VAT1/tax1 → A
 VAT2/tax2 → B
 VAT3/tax3 → C
 VAT4/tax4 → D
 VAT5/tax5 → E
 VAT6/tax6 → F

When the multiple VAT/tax is assigned to a department or a PLU, a smaller number of the VAT/tax will be printed. For details, contact your authorized SHARP dealer.

Example	Key operation	Print																
(When the manual VAT 1 through 6 system is selected)	<div style="border: 1px solid black; width: 20px; height: 20px; margin: 2px; display: flex; align-items: center; justify-content: center;">8</div> <div style="border: 1px solid black; width: 20px; height: 20px; margin: 2px; display: flex; align-items: center; justify-content: center;">ST</div> <div style="border: 1px solid black; width: 20px; height: 20px; margin: 2px; display: flex; align-items: center; justify-content: center;">VAT</div> <div style="border: 1px solid black; width: 20px; height: 20px; margin: 2px; display: flex; align-items: center; justify-content: center;">TL</div>	<table style="width: 100%; border-collapse: collapse;"> <tr><td style="width: 60%;">1x 2.00</td><td style="width: 40%;"></td></tr> <tr><td>PL00008</td><td style="text-align: right;">*2.00</td></tr> <tr><td>SUBTOTAL</td><td style="text-align: right;">*2.00</td></tr> <tr><td>TAX1 ST</td><td style="text-align: right;">*2.00</td></tr> <tr><td>VAT 1</td><td style="text-align: right;">*0.10</td></tr> <tr><td>NET 1</td><td style="text-align: right;">*1.90</td></tr> <tr><td> </td><td></td></tr> <tr><td>CASH</td><td style="text-align: right;">*2.00</td></tr> </table>	1x 2.00		PL00008	*2.00	SUBTOTAL	*2.00	TAX1 ST	*2.00	VAT 1	*0.10	NET 1	*1.90	 		CASH	*2.00
1x 2.00																		
PL00008	*2.00																	
SUBTOTAL	*2.00																	
TAX1 ST	*2.00																	
VAT 1	*0.10																	
NET 1	*1.90																	
CASH	*2.00																	

■ VAT shift entries

This feature is intended to shift the tax status of a particular department (or PLU) programmed for taxable 1 or taxable 1 and taxable 3.

1. When the VAT shift entry is made for a particular department or PLU programmed for taxable 1, their tax status shifts to taxable 2.
2. When this entry is made for a particular department (or PLU) programmed for taxable 1 and taxable 3, the tax status "taxable 1" remains unchanged, but the other, "taxable 3" is ignored.

Procedure Press the VAT SHIFT key to activate the VAT shift prior to entering department(s) or PLU(s) concerned.
 If you want to activate the VAT shift at the end of an entry, contact your authorized SHARP dealer.

Example

Key operation



Print

1x 2.00	
PLO0008	*2.00
SUBTOTAL	*2.00
TAX2 ST	*2.00
VAT 2	*0.20
NET 2	*1.80
CASH	*2.00

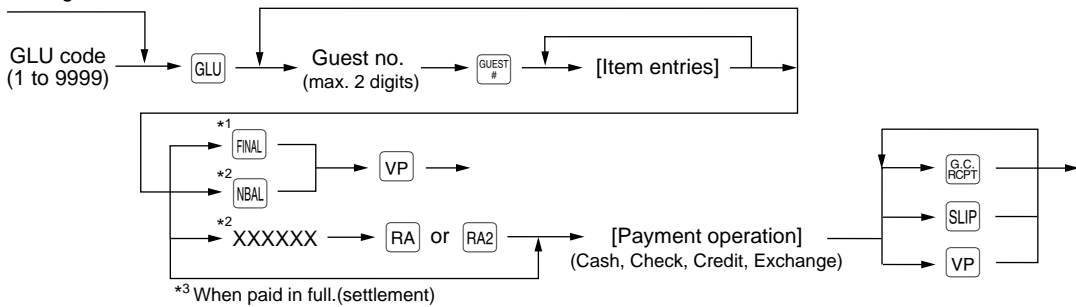
Guest Check (GLU)

■ Guest look up (GLU) system

New guest

Procedure

For automatic GLU code generation



To cancel the opened GLU display, press the **CANCEL** key.

NOTE

- The GLU code refers to a code that will be used whenever the guest check must be accessed for re-ordering or final payment.
- Your POS terminal can be programmed GLU codes in a sequential fashion (automatic GLU code generation). If your POS terminal has not been programmed to do so, each GLU code can be entered manually.
- When you open the guest check (ex. #2) during operating another guest check (ex. #1), the previous guest check (#1) is closed automatically by NBAL function. (If "clerk# compulsory" is selected in function selection programming, you must finish the current guest check first for making another guest check.)

*1 This is the optional function (Temporary finalization).

You can temporarily finalize a guest check by pressing the **FINAL** key. This prints out a guest check to show the current balance, including tax. The guest check, however, is still "open." This means you can still make additional orders to it. The tax is calculated but is not added to the tax totalizer.

However you can still make additional orders to it by displaying the opened GLUs.

*2 The tax is not calculated.

*3 The tax is calculated and is added to the tax totalizer.

Example

Key operation

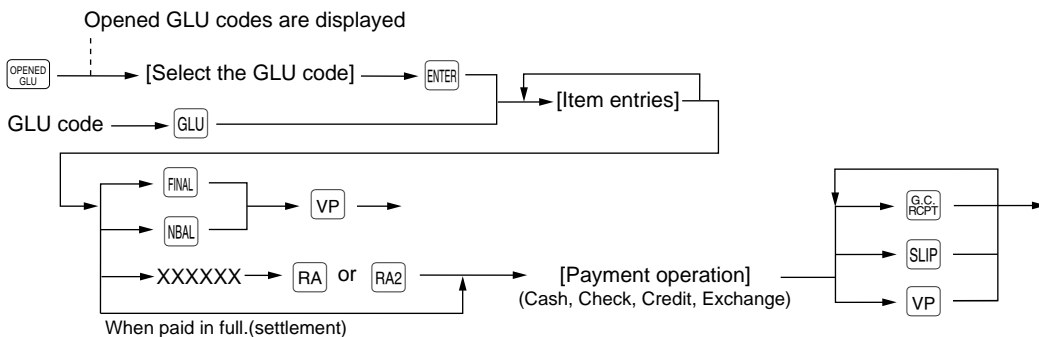
1001

Display

GLU#1001	0001
1x1.25	1.25
PL00001	
1x2.35	2.35
PL00002	
<hr/>	
***NBAL	3.60
3:38	P1L1

Additional ordering

Procedure



Example

Key operation

1001

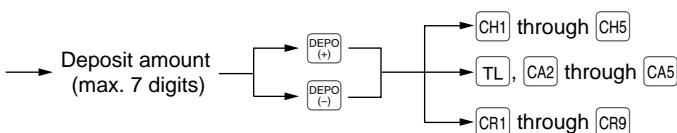
Display

GLU#1001	0001
PL00002	
<hr/>	
1x2.60	2.60
PL00007	
CASH	6.20
***TOTAL	6.20
3 41	P1L1

Deposit entries

Deposit refers to a prepayment on a guest check. It can be received in cash, by check or credit. You can make a deposit entry only when entering a guest check. It cannot be done during handling of a tendered amount. A received deposit can be refunded by pressing the key. You cannot attempt to refund an amount larger than the deposit balance.

Procedure



Example

Key operation

1001
 5000

Display

GLU#1001	0001
CASH	
DEPOSIT	50.00
***NBAL -50.00	
3 44	P1L1

Example

Key operation

1001
 5000

Display

GLU#1001	0001
CASH	
DEPOSIT	50.00

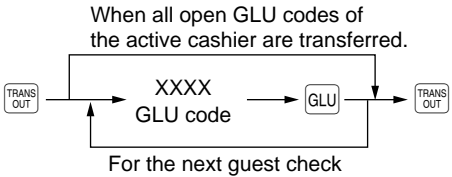
CASH	
DEPO. (-)	-50.00
***NBAL 0.00	
3 47	P1L1

Transferring guest checks out or in (Transfer-in/out)

Transferring guest checks out

At the end of a cashier shift or whenever a cashier is relieved, one or more open guest checks can be transferred from the cashier to the open check file until the responsibility for the check(s) is assigned to another cashier. Also, all open guest checks of this cashier can be transferred at one time.

Procedure



Example

Key operation

1001

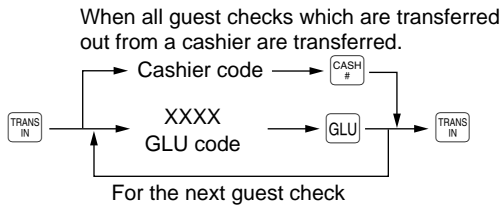
Display

REG	0001
GLU#1001	
***PBAL	12.50
TRAN . OUT	
3 :49	P1L1

Transferring guest checks in

When the second cashier is assigned to be responsible for guest checks that have been transferred out:

Procedure



Example

Key operation



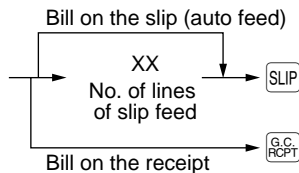
Display

REG	0002
GLU#1001	
***PBAL	15.00
TRAN. IN	
17 34	P1L1

Bill printing

This function is used for issuing the bill to the guest. Your POS terminal can print the bill (normal bill or cumulated bill) on the slip, receipt, or journal printer. For selecting these printers, contact your authorized SHARP dealer.

Procedure



NOTE

- This function is available immediately after the finalization of transaction (including after pressing the **NBAL** or the **FINAL** key).
- If the copy function is allowed, you can print the bill copy on slip and receipt only once. If you need the bill copy, contact your authorized SHARP dealer.

Example

Key operation



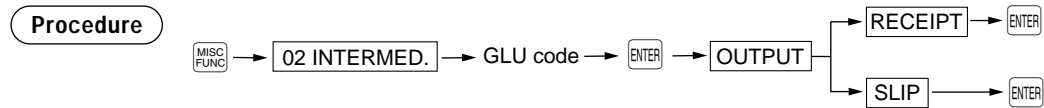
Print

15/08/2001	0001 JACK
15:25	BILL NUMBER 0003
1x 12.00	
PL00001	*12.00
1x 28.00	
PL00002	*28.00

***TOTAL	*40.00

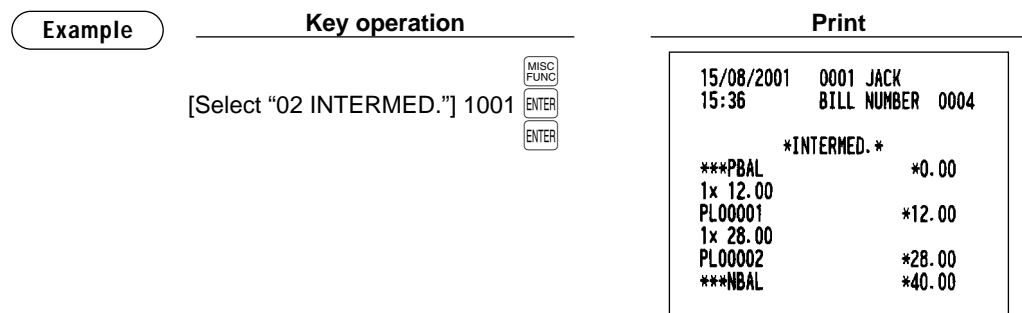
■ Intermediate GLU reading

This function is used for temporary inspection of the guest check. The details of the guest check can be printed on the receipt or the slip. For selecting these printers, contact your authorized SHARP dealer.



NOTE

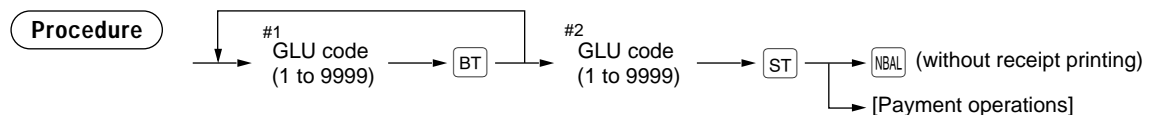
- This function is available after finishing the guest check entry.
- If the intermediate GLU finalization check is set to compulsory (I.BILL FINALIZE is set to ENABLE in FUNCTION PROHIBIT), a guest check cannot make settlement without printing the GLU using the intermediate GLU reading function (temporarily finalization by the **FINAL** or **NBAL** key is available.)



■ Bill totalizing/bill transfer

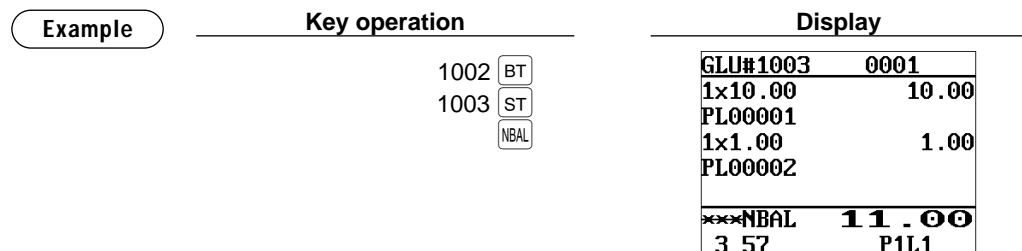
Bill totalizing

The bill totalizing function is used to totalize multiple bills when, for example, a particular guest pays not only his or her bill, but also the bills of other guests.



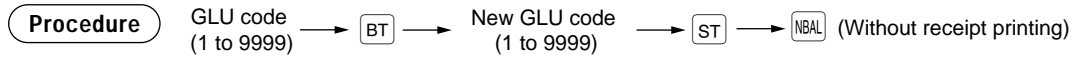
NOTE

- All #1 bills are added to a #2 bill. A maximum of 5 bills is available for #1.
- The GLU code of #1 must be in use. If the guest check(s) of #1 or #2 has already been handled by another cashier, the guest check(s) must have been made "Transferring out."

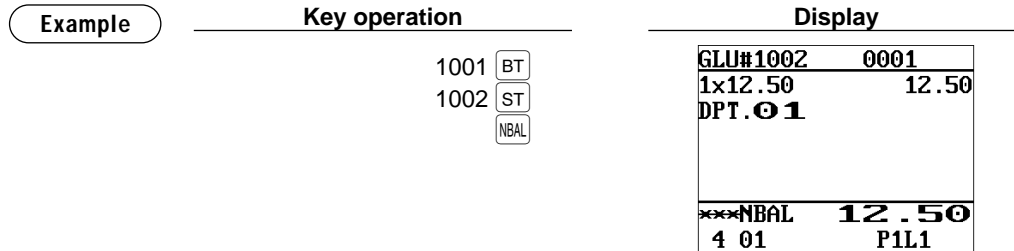


Bill transfer

This function is used to change the GLU code of a particular bill.

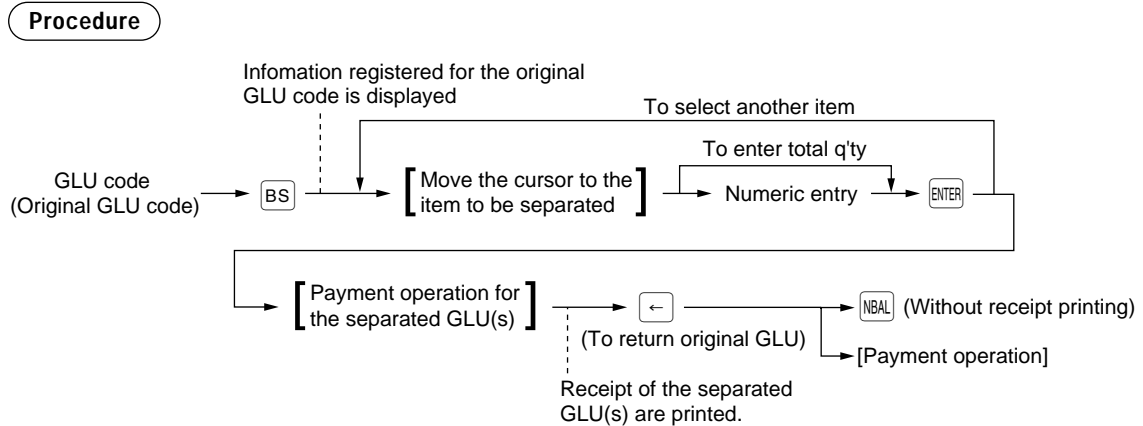


- NOTE**
- This function requires that the current GLU code be entered for #1 and a new GLU code be entered for #2.
 - A #1 bill is transferred to a #2 bill. The #1 bill is then cleared and set free.

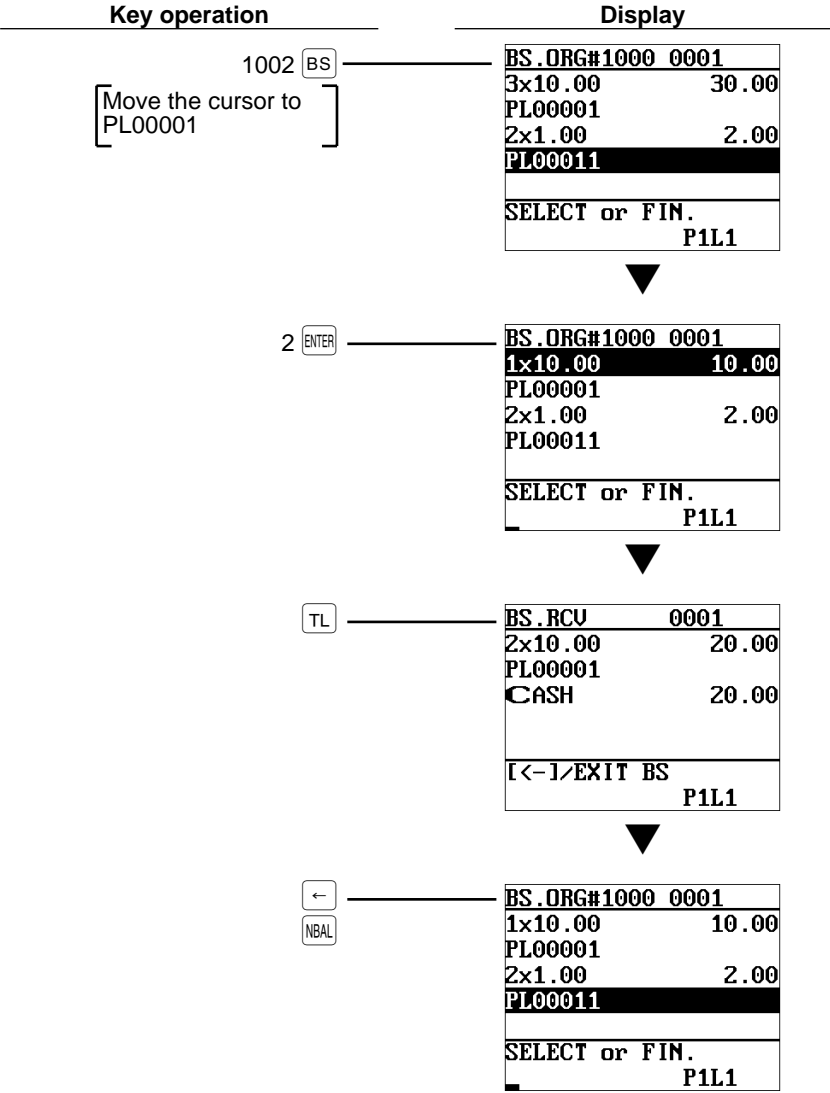


Bill separating

This function is used when each guest of a group pays his or her own order. With this function, you can select some items from a guest check and make an entry for the payment. Also, you can transfer the items you have selected to other guest checks.



Example



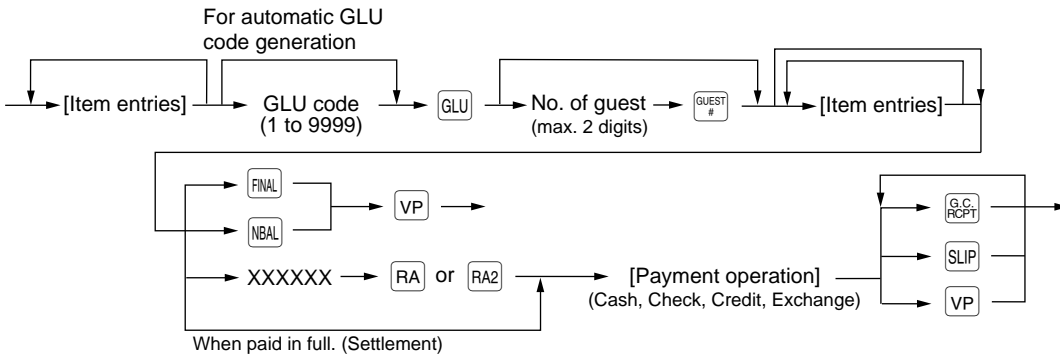
NOTE

- The items which are refunded or discounted can not be separated.
- You cannot specify the quantity of an item for selection when the stored quantity has decimal fraction.
- When no item is yet selected, the B.S. mode is automatically terminated by pressing the **NBAL** key or removing the clerk key.

Transaction migration

This POS terminal allows you to migrate the transaction of non-GLU type to the GLU file.

Procedure



Example

Key operation

1005

1
GLU

2
NBAL

Display

GLU#1005	0001
1x1.25	1.25
PL00001	
1x2.25	2.25
PL00002	
***NBAL	3.50
4 21	P1L1

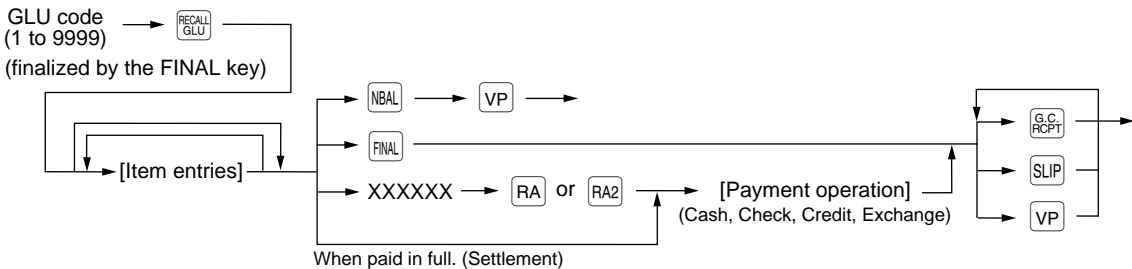
NOTE

The transaction migration can be operated before payment operation was made.

Recall GLU

When the **FINAL** key is treated as the total status key (that is, FINAL key functions as a cash key), you can recall GLUs finalized by the **FINAL** key by pressing the **RECALL GLU** key to make additional item entries and realize the settlement other than cash.

Procedure



Example

Key operation

1010

RECALL GLU

1

FINAL

Display

GLU#1010	0001
1x15.00	15.00
PL00001	

1x5.25	5.25
PL00002	
***TOTAL	20.25
	P1L1

Auxiliary Entries

■ Percent calculations (premium or discount)

- Your POS terminal provides percent calculations for a subtotal or each item entry depending on the programming.
- Percentage: 0.01 to 99.99%

Percent calculation for a subtotal

Example	Key operation	Print																
	(When a discount of 10% is programmed for the [%1] key.)	<table border="1" style="width: 100%; border-collapse: collapse;"> <tr><td>1x 5.60</td><td></td></tr> <tr><td>PL00003</td><td style="text-align: right;">*5.60</td></tr> <tr><td>2x 2.25</td><td></td></tr> <tr><td>PL00005</td><td style="text-align: right;">*4.50</td></tr> <tr><td>SUBTOTAL</td><td style="text-align: right;">*10.10</td></tr> <tr><td>%1</td><td style="text-align: right;">-10.00%</td></tr> <tr><td></td><td style="text-align: right;">-1.01</td></tr> <tr><td>CASH</td><td style="text-align: right;">*9.09</td></tr> </table>	1x 5.60		PL00003	*5.60	2x 2.25		PL00005	*4.50	SUBTOTAL	*10.10	%1	-10.00%		-1.01	CASH	*9.09
1x 5.60																		
PL00003	*5.60																	
2x 2.25																		
PL00005	*4.50																	
SUBTOTAL	*10.10																	
%1	-10.00%																	
	-1.01																	
CASH	*9.09																	
	[3] [5] [5] [ST] [%1] [TL]																	

Percent calculation for item entries

Example	Key operation	Print																		
	(When a premium of 15% is programmed for the [%2] key.)	<table border="1" style="width: 100%; border-collapse: collapse;"> <tr><td>1x 8.00</td><td></td></tr> <tr><td>PL00006</td><td style="text-align: right;">*8.00</td></tr> <tr><td></td><td style="text-align: right;">15.00%</td></tr> <tr><td>%2</td><td style="text-align: right;">*1.20</td></tr> <tr><td>1x 5.00</td><td></td></tr> <tr><td>PL00030</td><td style="text-align: right;">*5.00</td></tr> <tr><td></td><td style="text-align: right;">7.50%</td></tr> <tr><td>%2</td><td style="text-align: right;">*0.38</td></tr> <tr><td>CASH</td><td style="text-align: right;">*14.58</td></tr> </table>	1x 8.00		PL00006	*8.00		15.00%	%2	*1.20	1x 5.00		PL00030	*5.00		7.50%	%2	*0.38	CASH	*14.58
1x 8.00																				
PL00006	*8.00																			
	15.00%																			
%2	*1.20																			
1x 5.00																				
PL00030	*5.00																			
	7.50%																			
%2	*0.38																			
CASH	*14.58																			
	[6] [%2] 30 [PLU/EAN] 7 [.] 5 [%2] [TL]																			

■ Discount entries

Your POS terminal allows you to deduct a certain amount less than a programmed upper limit after the entry of an item or the computation of a subtotal depending on the programming.

Discount for a subtotal

Example	Key operation	Print												
	70 [PLU/EAN] [ST] 100 [⊖2] [TL]	<table border="1" style="width: 100%; border-collapse: collapse;"> <tr><td>1x 5.75</td><td></td></tr> <tr><td>PL00006</td><td style="text-align: right;">*5.75</td></tr> <tr><td>1x 12.00</td><td></td></tr> <tr><td>PL00070</td><td style="text-align: right;">*12.00</td></tr> <tr><td>(-) 2</td><td style="text-align: right;">-1.00</td></tr> <tr><td>CASH</td><td style="text-align: right;">*16.75</td></tr> </table>	1x 5.75		PL00006	*5.75	1x 12.00		PL00070	*12.00	(-) 2	-1.00	CASH	*16.75
1x 5.75														
PL00006	*5.75													
1x 12.00														
PL00070	*12.00													
(-) 2	-1.00													
CASH	*16.75													

Discount for item entries

Example	Key operation	Print								
	7 <input type="button" value="PLU/EAN"/> 75 <input type="button" value="⊖1"/> <input type="button" value="TL"/>	<table border="1"> <tr> <td>1x 6.75</td> <td></td> </tr> <tr> <td>PL00007</td> <td>*6.75</td> </tr> <tr> <td>(-) 1</td> <td>-0.75</td> </tr> <tr> <td>CASH</td> <td>*6.00</td> </tr> </table>	1x 6.75		PL00007	*6.75	(-) 1	-0.75	CASH	*6.00
1x 6.75										
PL00007	*6.75									
(-) 1	-0.75									
CASH	*6.00									

■ Refund entries

For a refund entry, press the key just before you press a department key, key, direct PLU key or key or just before you scan an EAN code. The operation before pressing the key is the same as the one of normal operation. For example, if a refund item is the one entered into a department, enter the amount of the refund, then press the key and the corresponding department key in this order; if an item entered into a PLU is returned, enter the corresponding PLU code, then press the and keys; and if a refund item is the one entered into an EAN, press the key and scan the EAN code.

Example	Key operation	Print										
	<input type="button" value="RF"/> <input type="button" value="3"/> 7 <input type="button" value="⊗"/> 7 <input type="button" value="RF"/> <input type="button" value="PLU/EAN"/> <input type="button" value="TL"/>	<table border="1"> <tr> <td>-1x 1.50</td> <td></td> </tr> <tr> <td>PL00003</td> <td>R-1.50</td> </tr> <tr> <td>-7x 2.00</td> <td></td> </tr> <tr> <td>PL00007</td> <td>R-14.00</td> </tr> <tr> <td>CHANGE</td> <td>*15.50</td> </tr> </table>	-1x 1.50		PL00003	R-1.50	-7x 2.00		PL00007	R-14.00	CHANGE	*15.50
-1x 1.50												
PL00003	R-1.50											
-7x 2.00												
PL00007	R-14.00											
CHANGE	*15.50											

■ Return entries

For a return entry, press the key just before you press a department key, key, direct PLU key or key or just before you scan an EAN code. The operation before pressing the key is the same as the one of normal operation. For example, if a return item is the one entered into a department, enter the amount of the return, then press the key and the corresponding department key in this order; if an item entered into a PLU is returned, enter the corresponding PLU code, then press the and keys; and if a returned item is the one entered into an EAN, press the key and scan the EAN code.

Example	Key operation	Print														
	<input type="button" value="RTN"/> <input type="button" value="5"/> <input type="button" value="RTN"/> <input type="button" value="4"/> 7 <input type="button" value="⊗"/> 7 <input type="button" value="RTN"/> <input type="button" value="PLU/EAN"/> <input type="button" value="TL"/>	<table border="1"> <tr> <td>1x 50.00</td> <td></td> </tr> <tr> <td>PL00005</td> <td>*50.00</td> </tr> <tr> <td>-1x 4.00</td> <td></td> </tr> <tr> <td>PL00004</td> <td>RT-4.00</td> </tr> <tr> <td>-7x 2.00</td> <td></td> </tr> <tr> <td>PL00007</td> <td>RT-14.00</td> </tr> <tr> <td>CASH</td> <td>*32.00</td> </tr> </table>	1x 50.00		PL00005	*50.00	-1x 4.00		PL00004	RT-4.00	-7x 2.00		PL00007	RT-14.00	CASH	*32.00
1x 50.00																
PL00005	*50.00															
-1x 4.00																
PL00004	RT-4.00															
-7x 2.00																
PL00007	RT-14.00															
CASH	*32.00															

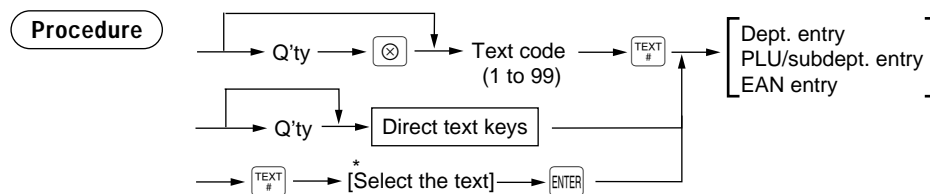
■ Printing of non-add code numbers

Enter a non-add code number such as a guest code number and credit card number within a maximum of 16 digits and press the **#/TM** key at any point during the entry of a sale. Your POS terminal will print at once.

Example	Key operation	Print
	1230 #/TM 1 CR2	<pre> #0000000000001230 1x 10.00 PL00001 *10.00 CREDIT2 *10.00 </pre>

■ Printing of free text

Free text programmed in the PGM mode can be printed out by entering the corresponding text code and pressing the **TEXT #** key or by pressing a corresponding direct text key. You can describe your item together with departments and PLUs.



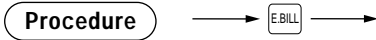
*To exit from the text list, press the **CANCEL** key.

Example	Key operation	Print
	1 TEXT # 1 TL	<pre> 1x 1.91 PL00001 *1.91 TEXT01 CASH *1.91 </pre>

NOTE You can void the free text by cursor void operation.

■ Entertainment bill

This function is used to print sales data on guest checks (Entertainment bill) on a receipt printer.



Print sample

YOUR RECEIPT	
THANK YOU	
15/08/2001	0001 JACK
15:46	BILL NUMBER 0007
1x 15.00	
PL00001	*15.00

CASH	*15.00

Angaben zum Nachweis der Höhe und der betrieblichen Veranlassung von Bewirtungsaufwendungen	

Bewirtete Person(en) :	

Anlass der Bewirtung:	

Höhe der Aufwendungen	
	*15.00

bei Bewirtung im Restaurant	

in anderen Fällen	

Ort	Datum
TOWNNAMETOWNNAME	15/08/2001

Unterschrift	

Payment Treatment

■ Tip-in entries

Your POS terminal allows the entry of tips that your guests give to clerks in cash or other media (check or credit). The tip in entry assumes that it is carried out in the following system:

- Tip paid by a guest to a clerk is entered in the POS terminal by tip entry, and the restaurant pays the tip amount to the clerk later in cash.
- Tip amount entry to the POS terminal is normally performed by a clerk.

The entry is allowed before payment operation is performed. After the tip entry is performed, item entry is not allowed. The transaction operation must be finalized by payment operation. Two types of tip, cash tip and non-cash tip, are not allowed to be mixed in entry during one transaction operation. Tip entry only in either of them is allowed.

Cash tip entry: In a transaction in which cash tip entry is made, when payment operation is started, the process is as follows:

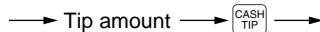
Cash tender (which may be foreign money) is compulsory until total cash tender exceeds or equals to cash tip amount. Then, check (or credit) tender operation is allowed.

Non-cash tip entry: In a transaction in which non-cash tip entry is made, when payment operation is started, the process is as follows:

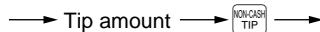
Check (or credit) tender is compulsory until total check (or credit) tender exceeds or equals to non-cash tip amount. Then, cash tender operation is allowed.

Procedure

Cash tip entry




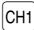


Non-cash tip entry



Example

Key operation

1001 
 300 
 300 
 1500 

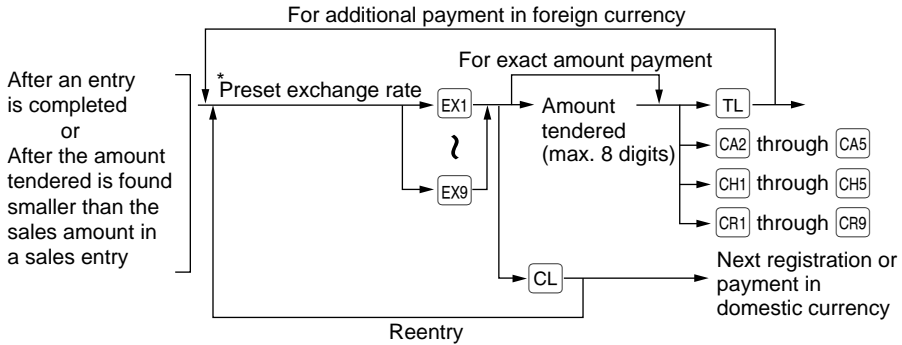
Print

GLU# 1001	
***PBAL	*15.00
CASH TIP	*3.00
***TOTAL	*18.00
CASH	*3.00
CHECK	*15.00
CHANGE	*0.00

■ Currency exchange

Your POS terminal allows payment entries in foreign currency. Pressing the **EX1** through **EX9** key creates a subtotal in foreign currency. Cash alone can be handled after currency exchange.

Procedure



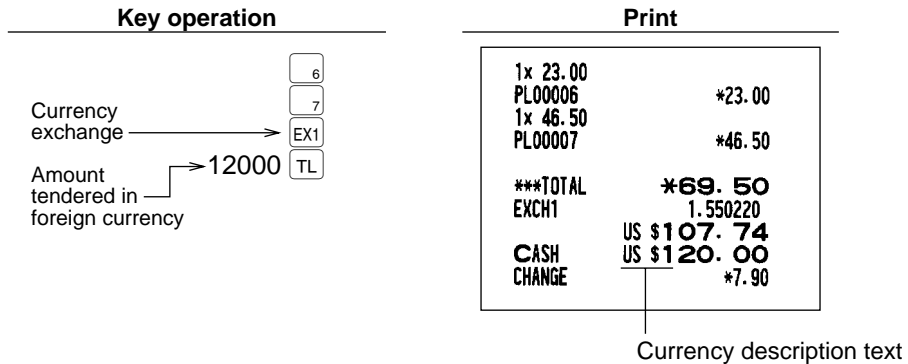
*Preset rate: 0.0000 to 9999.999999

NOTE

- When the amount tendered is short, its equivalent in deficit is shown in domestic currency.
- You can also enter a foreign currency tender from the exchange menu window. Press the **EX #** key and select a pertinent exchange number and enter the amount.
- Change amount will be displayed in domestic currency.
- Availability of credit and cheque tendering depends on the programming. (Only for the exchange 1)

Example

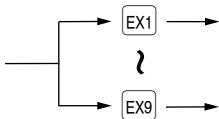
Preset exchange rate (1.550220) :EX1



NOTE

Case of opening foreign currency drawer:

- At the timing of issuing receipt after tendering exchange amount.
 - At the timing of issuing X/Z report (included CCD)
 - The **Exchange drawer open function** is executed.
- When the **EXCHANGE(n)** key is pressed simply out of transaction, the foreign currency drawer is opened, and no sale counter will counted one up.



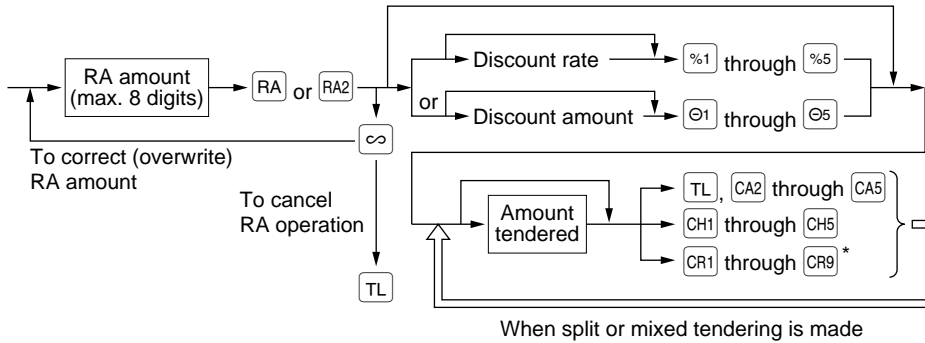
Received-on-account entries

To receive a received-on-account (RA), you can select either of cash only system or mixed tendering system. Select the cash only system when you receive RA by cash only. In the mixed tendering system, you can receive RA by cash, check or credit. In either system, you cannot receive RA in foreign currency. When you want to use the cash only system, contact with your authorized SHARP dealer.

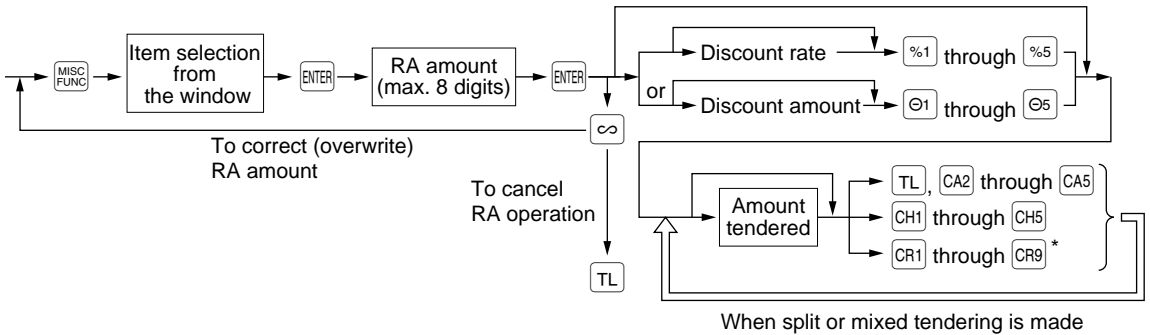
Mixed tendering system

Procedure

Direct key entries



Menu-based entries



NOTE

* Of the CR1 through CR9 keys, you may use only the one that is programmed to be capable of entering amounts tendered.

Example

Key operation

12345	#/TM
4800	RA
4000	CH1
800	TL

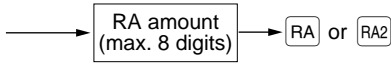
Print

```
#000000000012345
***RA          *48.00
CHECK          *40.00
CASH           *8.00
CHANGE         *0.00
```

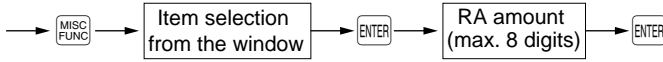
Cash only system

Procedure

Direct key entries



Menu-based entries



Example

Key operation

12345 #/TM
4800 RA

Print

```
#0000000000012345
***RA          *48.00
CASH          *48.00
```

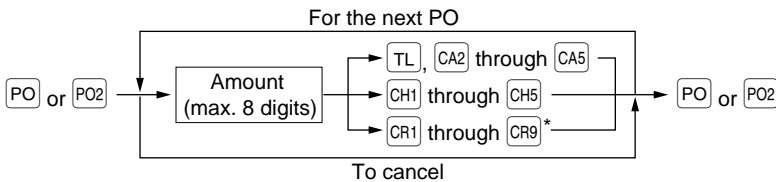
■ Paid-out entries

To make a paid-out (PO) entry, you can select either of cash only system or mixed tendering system. Select the cash only system when you make a payment by cash only. In the mixed tendering system, you can make a payment by cash, check or credit. In either system, you must a PO entry only in a transaction. When you want to use the cash only system, contact with your authorized SHARP dealer.

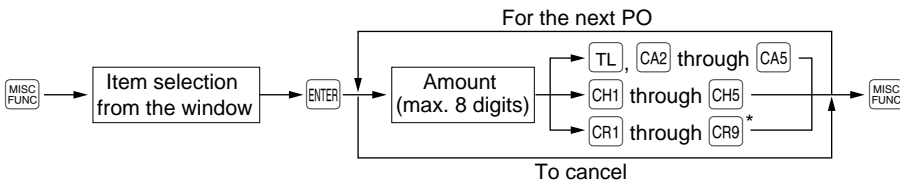
Mixed tendering system

Procedure

Direct key entries



Menu-based entries



NOTE

* Of the CR1 through CR9 keys, you may use only the one that is programmed to be capable of entering amounts tendered.

Example

Key operation

6789 #/TM
PO
3000 TL
PO

Print

```
#000000000006789
***PO
CASH          *30.00
***PO          *30.00
```

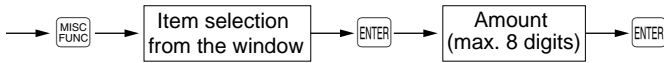
Cash only system

Procedure

Direct key entries



Menu-based entries



Example

Key operation

6789
2500

Print

#000000000006789
***PO *25.00

■ No-sale (exchange)

Simply press the key without any entry. The drawer will open and the printer will print "NO SALE" on both the journal and the receipt. If you let your machine print a non-add code number before pressing the key, a no sale entry is achieved with a non-add code number printed.

Print

NO SALE

NOTE

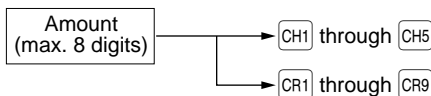
You can also enter "No-sale" from the miscellaneous menu. Press the key and select "08 NO SALE" from the menu.

■ Transferring cash

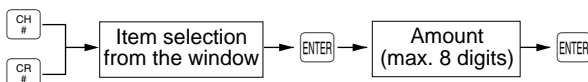
This function is used to change cash sales amount for credit or check sales amount. For example, you can use this function when your guest asks you to credit the payment or to receive payment with check after entering the payment as cash.

Procedure

Direct key entries



Menu-based entries



Example

Key operation

2000

Print

TRANSFER
CHECK *20.00

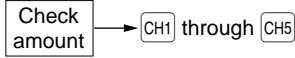
■ Cashing a check

NOTE

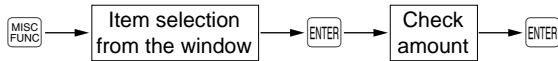
To use this function, please consult your authorized SHARP dealer, while you cannot use this function together with the cash transferring function.

Procedure

Direct key entries



Menu-based entries



Example

Key operation

6789
 3000

Print

```

#00000000000006789
CA/CHK *30.00
  
```

■ Service charge

When the payment operation is made for sales registrations, the service charge amount is calculated and printed. You can program a percent rate for calculating the service charge. If the percent rate is programmed as 0%, the POS terminal does not print any service charge. Service charge is available in automatic VAT 1-6, automatic tax 1-6, automatic VAT 1-3 and automatic tax 4-6 system.

Example

Key operation

Print

```

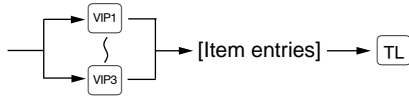
1x 15.00
PLO0002 *15.00
1x 3.00
PLO0003 *3.00
SUBTOTAL *18.00
SER. CHRG *1.80

CASH *19.80
  
```

■ VIP sales

This function is used for transaction for the important guest who is free of charge. In this mode, any unit price is not counted.

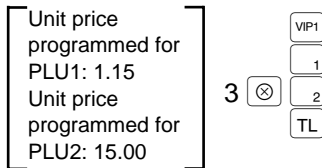
Procedure



*Less than the programmed upper limit amount

Example

Key operation



Print

	VIP1 SALE	
1x 0.00		
PL00001		*0.00
3x 0.00		
PL00002		*0.00
CASH		*0.00

Customer management

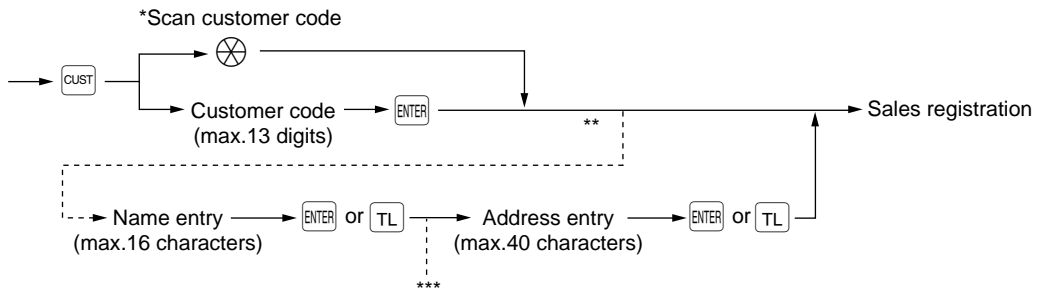
Your POS terminal can provide the customer management function.

To enable the customer management function, enter the customer code assigned to a customer. You can enter the customer code at any point during a transaction.

Normally customer information (name, code and address) are previously set by the programming. However, you can enter a new customer information during transaction. When an undefined customer code is entered, the message, "UNDEFINED CODE" is displayed, then you can enter the customer's name and address, which are saved in the customer file.

For the customer registered, you can allow to defer his/her payment. Take the tentative finalization using the **CHARGE** key. The sales amount is accumulated to the charge amount of each customer. When the customer settles his/her charge account take the received-on account entry.

Procedure



*: Scanning the customer code on a Customer Card provided to the customer, or EAN-13 format bar code. Additionally the customer code can be read by the optional magnet card reader.

** : When a code entered for the customer entry does not exist in the customer file, "UNDEFINED CODE" is displayed for a moment with beep sounds. Then the NAME entry window is displayed to prompt to operator to enter a customer's name.

***: The ADDRESS entry window is displayed.

NOTE

- The customer code entry is inhibited after the payment operation.
- When the wrong code is registered, take the following procedure to cancel it.
If no item has been entered, press the **NS** key.
If the item entry has been made, perform the subtotal void operation.

Example

Key operation

0800000000075
8200

CUST
ENTER
2
TL

Display

REG	0001
NAME-1	P1L1

- To enter a new customer code in the REG/MGR-mode

Key operation

680 **1**
CUST
0800000001232 **ENTER**
N **A** **M** **E** **5** **ENTER**
A **D** **D** **R** **5** **ENTER**
TL

Print

1x 6.80	
PL00001	*6.80
CASH	*6.80
0800000001232#NAME5	
***PBAL	*0.00
CHARGE	*0.00
***NBAL	*0.00

- When you allow the customer to defer the payment;

Key operation

0800000000075
 5370

Print

1x 53.70	
PL00006	*53.70
CHARGE	*53.70
0800000000075#NAME-1	
***PBAL	*0.00
CHARGE	*53.70
***NBAL	*53.70

- When the customer settles his/her charge account or partial payment is done;

Key operation

0800000000075
 3000

Print

***RA	*30.00
CASH	*30.00
0800000000075#NAME-1	
***PBAL	*53.70
CHARGE	-30.00
***NBAL	*23.70

The remainder of the charge account

TRAINING Mode

The training mode is used when the operator or the manager practices POS terminal operations.

NOTE

In case "clerk and cashier system" is applied to your POS terminal, cashiers can enter to the training mode.

When a clerk/cashier set in training is selected, the POS terminal automatically enters the training mode, while a clerk/cashier not set in training is selected, the POS terminal automatically enters the ordinary REG mode. A training text and a maximum of two training clerks/cashiers can be programmed. For programming of training clerk/cashier, contact your authorized SHARP dealer.

The training operations are valid in all modes.

A mark which is identifying a training receipt is printed on the receipt which is issued in the training mode.

The journal report completely stops in the training mode. The consecutive number is not updated. The preceding number is repeated in printing.

The memory in clerk/cashier is updated in the training mode. Other memories are not updated.

The GLU codes which are opened in the training mode are also printed on the GLU report. In this case, those GLU codes are distinguished from others by the character of "T." The data of training GLU codes are not added to the total.

The reading and resetting of training clerks/cashiers is printed on the clerk/cashier reports. However, the sales total of training clerks/cashiers is not included in the clerk/cashier total on the full clerk/cashier report.

Key operation	Print										
Selecting the cashier set in training	<p style="text-align: center;">TRAINING</p> <table border="0"><tr><td>1x 2.25</td><td></td></tr><tr><td>PL00005</td><td style="text-align: right;">*2.25</td></tr><tr><td>3x 1.40</td><td></td></tr><tr><td>PL00003</td><td style="text-align: right;">*4.20</td></tr><tr><td>CASH</td><td style="text-align: right;">*6.45</td></tr></table>	1x 2.25		PL00005	*2.25	3x 1.40		PL00003	*4.20	CASH	*6.45
1x 2.25											
PL00005	*2.25										
3x 1.40											
PL00003	*4.20										
CASH	*6.45										

Overlapped Clerk Entry

This function allows to switch from one clerk to another clerk and to interrupt the first clerk's entry. So the second clerk can do his or her entry in this mode. Interrupt handling is possible only in the overlapped clerk entry. For actual use of this function, contact your authorized SHARP dealer.

NOTE

- The overlapped clerk entry is available only in the clerk entry system.
- The overlapped clerk entry is not effective while the tendering sale is going on.
- If any clerk is still making an entry (or has not finalized the transaction yet), the POS terminal does not run in any mode other than REG and MGR, and no X/Z reports can be printed. The message "CLERK REMAINED" and the related clerk are displayed.

Example

- Clerk 1: Entry started
- Clerk 2: Clerk change (1 to 2), interrupt initiated
- Clerk 2: Transaction finished
- Clerk 1: Clerk change (2 to 1), entry restarted

Key operation		Display																
Clerk 1 is assigned. (Clerk key 1 is inserted.)	1 3 3	<table border="1"> <tr><td>REG</td><td>0001</td></tr> <tr><td>1 PL00001</td><td></td></tr> <tr><td>1 PL00003</td><td></td></tr> <tr><td>1 PL00003</td><td></td></tr> <tr><td colspan="2">***TOTAL 3.25</td></tr> <tr><td></td><td>P1L1</td></tr> </table>	REG	0001	1 PL00001		1 PL00003		1 PL00003		***TOTAL 3.25			P1L1				
REG	0001																	
1 PL00001																		
1 PL00003																		
1 PL00003																		
***TOTAL 3.25																		
	P1L1																	
Clerk 2 is assigned. (Clerk key 2 is inserted.)	3 ⊗ 2 TL	<table border="1"> <tr><td>REG</td><td>0002</td></tr> <tr><td>3 PL00002</td><td></td></tr> <tr><td>CASH</td><td>45.00</td></tr> <tr><td colspan="2">***TOTAL 45.00</td></tr> <tr><td>9 03</td><td>P1L1</td></tr> </table>	REG	0002	3 PL00002		CASH	45.00	***TOTAL 45.00		9 03	P1L1						
REG	0002																	
3 PL00002																		
CASH	45.00																	
***TOTAL 45.00																		
9 03	P1L1																	
Clerk 1 is assigned. (Clerk key 1 is inserted.)	1 3 TL	<table border="1"> <tr><td>REG</td><td>0001</td></tr> <tr><td>1 PL00001</td><td></td></tr> <tr><td>2 PL00003</td><td></td></tr> <tr><td>1 PL00001</td><td></td></tr> <tr><td>1 PL00003</td><td></td></tr> <tr><td>CASH</td><td>5.50</td></tr> <tr><td colspan="2">***TOTAL 5.50</td></tr> <tr><td>9:04</td><td>P1L1</td></tr> </table>	REG	0001	1 PL00001		2 PL00003		1 PL00001		1 PL00003		CASH	5.50	***TOTAL 5.50		9:04	P1L1
REG	0001																	
1 PL00001																		
2 PL00003																		
1 PL00001																		
1 PL00003																		
CASH	5.50																	
***TOTAL 5.50																		
9:04	P1L1																	

5

Correction

REG MODE

MGR MODE

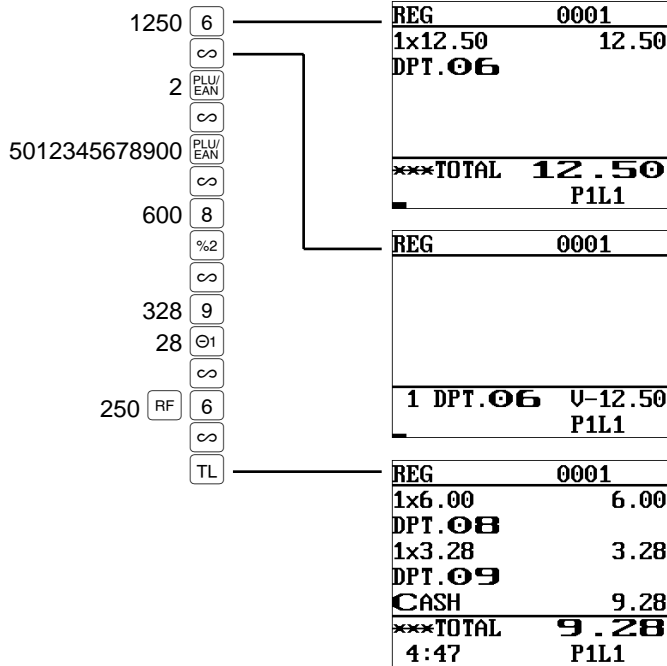
Correction of the Last Entry (Direct Void)

If you make an incorrect entry relating to a department, PLU/subdepartment, EAN, percentage (Ⓜ1) through (Ⓜ5), discount (Ⓜ1 through Ⓜ5), item refund, or tip, you can void this entry by pressing the (∞) key immediately.

Example

Key operation

Display

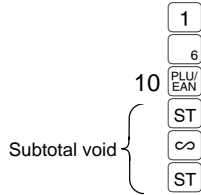


Subtotal Void

You can void an entire transaction. Once subtotal void is executed, the transaction is aborted and the POS terminal issues a receipt.

Example

Key operation



Display

REG	0001
DPT . 0 1	
1x1.25	1.25
PL00006	
SBTL VD	-11.25
***TOTAL	0.00
***TOTAL	0.00
4:57	P1L1

Correction of Incorrect Entries Not Handled by the Direct, Indirect or Subtotal Void Function

Any errors found after the entry of a transaction has been completed or during an amount tendered entry cannot be voided. These errors must be handled by the manager. The following steps should be taken.

1. If you are making the amount tendered entry, finalize the transaction.
2. Make correct entries from the beginning.
3. Hand the incorrect receipt to your manager for its cancellation.

6

Special Printing Function

REG MODE

Copy Receipt Printing

If your customer wants a receipt after you have finalized a transaction with the receipt ON-OFF function in the "OFF" status (no receipting), press the **[RCPT]** key for receipting. Your POS terminal can also print a copy receipt when the receipt ON-OFF function is in the "ON" status. *If you want to make a copy, please consult your authorized SHARP dealer.*

- NOTE** To toggle the receipt ON-OFF status, use one of the following procedures:
- Select "RCP SW." from the window which is opened by pressing the **[MISC FUNC]** key.
 - Press the **[RCP SW]** key to open the "RCP SW." window.

Example Printing a receipt after making the entries shown below with the receipt ON-OFF function "OFF" status

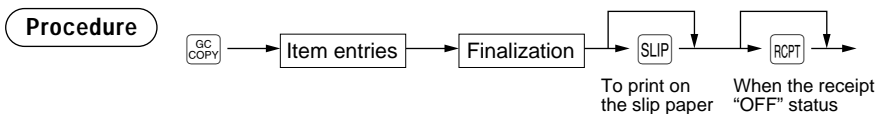
Key operation	Print															
<div style="display: flex; flex-direction: column; align-items: center;"> <div style="display: flex; align-items: center; margin-bottom: 5px;"> <div style="border: 1px solid black; padding: 2px 5px; margin-right: 5px;">2</div> <div style="margin-right: 5px;">3</div> <div style="border: 1px solid black; padding: 2px 5px;">⊗</div> </div> <div style="display: flex; align-items: center; margin-bottom: 5px;"> <div style="border: 1px solid black; padding: 2px 5px; margin-right: 5px;">1</div> <div style="border: 1px solid black; padding: 2px 5px; margin-right: 5px;">TL</div> </div> </div>	Print on the journal <div style="border: 1px solid black; padding: 5px; margin-left: 20px; display: inline-block;"> <table style="width: 100%; border-collapse: collapse;"> <tr> <td style="width: 70%;">1x 8.00</td> <td style="width: 10%;"></td> <td style="width: 20%; text-align: right;">*8.00</td> </tr> <tr> <td>PL00002</td> <td></td> <td></td> </tr> <tr> <td>3x 1.25</td> <td></td> <td></td> </tr> <tr> <td>PL00001</td> <td></td> <td></td> </tr> <tr> <td>CASH</td> <td></td> <td style="text-align: right;">*11.75</td> </tr> </table> </div>	1x 8.00		*8.00	PL00002			3x 1.25			PL00001			CASH		*11.75
1x 8.00		*8.00														
PL00002																
3x 1.25																
PL00001																
CASH		*11.75														
For receipting → [RCPT]	Print on the receipt <div style="border: 1px solid black; padding: 5px; margin-left: 20px; display: inline-block;"> <table style="width: 100%; border-collapse: collapse;"> <tr> <td style="width: 70%;">1x 8.00</td> <td style="width: 10%;"></td> <td style="width: 20%; text-align: right;">*8.00</td> </tr> <tr> <td>PL00002</td> <td></td> <td></td> </tr> <tr> <td>3x 1.25</td> <td></td> <td></td> </tr> <tr> <td>PL00001</td> <td></td> <td style="text-align: right;">*3.75</td> </tr> <tr> <td>CASH</td> <td></td> <td style="text-align: right;">*11.75</td> </tr> </table> </div>	1x 8.00		*8.00	PL00002			3x 1.25			PL00001		*3.75	CASH		*11.75
1x 8.00		*8.00														
PL00002																
3x 1.25																
PL00001		*3.75														
CASH		*11.75														

"COPY" is printed on the copy receipt.

COPY		
1x 8.00		*8.00
PL00002		
3x 1.25		
PL00001		*3.75
CASH		*11.75

Guest Check Copy

You can use this function when you want to take a copy of guest check.
Press the **GC COPY** key and make a desired entry.

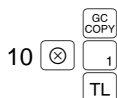


NOTE

- The guest check copy has nothing to do with the memory.
- The operation is the same as normal entry. But the validation printing is disabled and the drawer does not open.

Example

Key operation



Print

	G. C COPY	
10x 1.25		
PL00001		*12.50
CASH		*12.50

Validation Printing Function

The POS terminal can perform validation printing when it is connected with the slip printer. For the details of slip printer, contact your authorized SHARP dealer.

1. Set a validation slip to the slip printer.
2. Press the **VP** key. The validation printing will start.

NOTE

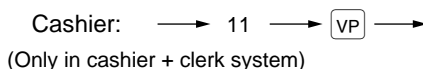
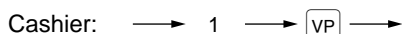
Programmed compulsory validation printing can be overridden by performing the following operation. If you need this function, contact your authorized SHARP dealer.

1. Move the mode key to MGR position.
2. → **CANCEL** → **VP**

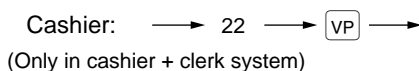
Employee's Arrival/Departure Time Printing

The POS terminal can perform employee's arrival and departure time printing when it is connected with the slip printer. For the details of slip printer, contact your authorized SHARP dealer.
For printing, you must be in the REG mode.

Printing of arrival time



Printing of departure time



7

Manager Mode

MGR MODE

The manager mode is used when managerial decisions must be made concerning POS terminal entries, for example, for overriding limitations and for other various non-programming managerial tasks.

NOTE Normal POS terminal operations may also be performed in this mode.

Override Entries

Programmed limits (such as maximum amounts) for functions can be overridden by placing the POS terminal in the manager mode.

Example

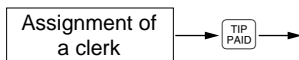
This example presumes that the POS terminal has been programmed not to allow coupon entries over 2.00.

Key operation	Print
REG-mode entries { 250 2Error 02 CL	<pre> 1x 15.00 PL00002 *15.00 (-) 2 -2.50 CASH *12.50 </pre>
Enter to the manager mode 250 02	
Return to the REG mode. TL	

Tip Paid Entries

This operation is used when tips that guests have paid by using media other than cash (check or credit) are paid to respective clerks in cash. You can make tip paid entries in the MGR mode only. The tips are paid to corresponding clerks according to their portions.

Procedure



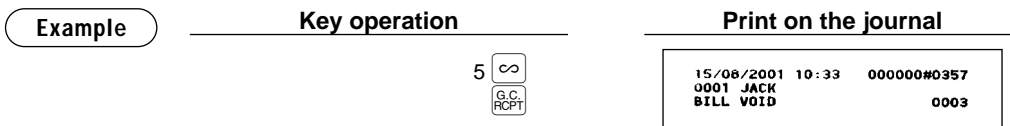
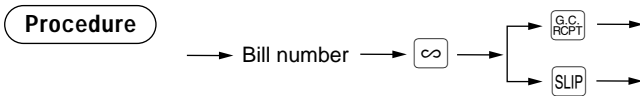
Example

Key operation	Print
(The clerk key for clerk#2 is inserted.) TIP PAID	<pre> 05/08/2001 10:13 123456#0030 0001 JACK TIP PAID *2.00 </pre>

Bill Recording/Bill Void

This bill information have to be recorded when BILL REPORT FILE was created (Bill recording). Each record contains “bill consecutive number”, “clerk number”, “issued date”, and “amount”.

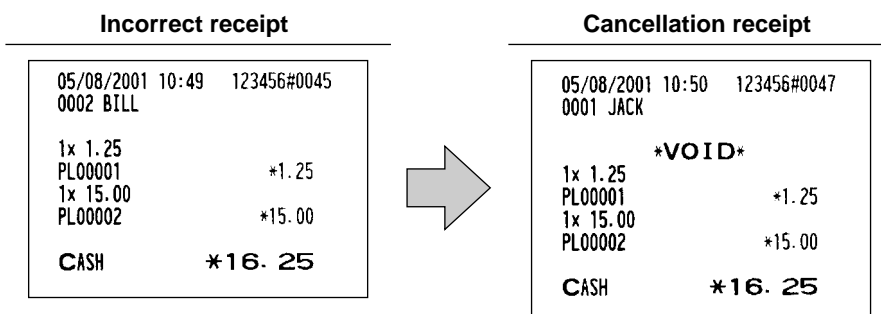
The bill record can be voided from BILL REPORT FILE (Bill void). The voided bill number will be used on newly issuing bill to filling bill report completely.



Correction after Finalizing a Transaction

When you need to void incorrect entries that clerks cannot correct (incorrect entries that are found after finalizing a transaction or cannot be corrected by direct, indirect or subtotal void), follow this procedure in the MGR mode.

1. Enter to the manager mode.
2. Press the ∞ key to put your POS terminal in the VOID mode. (Note the indication on the display.)
3. Repeat the entries that are recorded on an incorrect receipt. (All data in the incorrect receipt is removed from POS terminal memory; the voided amounts are added to the void mode totalizer.)



NOTE Your POS terminal leaves the VOID mode whenever a transaction is canceled (i.e. finalized in the VOID mode). To void additional transactions, repeat steps 2. and 3. above.

8

Reading (X) and Resetting (Z) of Sales Totals

X1 / Z1 MODE

X2 / Z2 MODE

OPXZ MODE

- Use the reading function (X) when you need to take the reading of sales information entered after the last resetting. You can take this reading any number of times. It does not affect the POS terminal's memory.
- Use the resetting function (Z) when you need to clear the POS terminal's memory. Resetting prints all sales information and clears the entire memory except for the GT1 through GT3, reset count, and consecutive number.
- X1 and Z1 reports show daily sales information. You can take these reports in the X1/Z1 mode.
- X2 and Z2 reports show periodic (monthly) consolidation information. You can take these reports in the X2/Z2 mode.
- In the OP X/Z mode, an clerk and/or cashier can take his or her report.
- If you want to stop the printing report, press the **[CL]** key. Even if the printing is stopped, the consecutive number (and Z counter if you are printing a Z report) is increased by one.

NOTE

Please kindly take note to take Clerk reports instead of Cashier reports when "cashier only system" is applied to your machine. Only when "cashier + clerk system" is applied, you can take both of Clerk and Cashier reports.

■ How to take a X1/Z1 or X2/Z2 report

[To take a X1 or X2 report:]

1. Move the mode key to OP X/Z, X1/Z1, or X2/Z2 position.
2. Select "1 READING" to display the report lists.
3. Select a report title listed in the table shown later. When you select an item with parentheses on the opening screen, you can jump to the pertinent report title(s).
4. If needed, enter corresponding values described in the "Data to be entered" column on the table shown later.

[To take a Z1 or Z2 report:]

1. Move the mode key to OP X/Z, X1/Z1, or X2/Z2 position.
2. Select "2 RESETTING" to display the report lists.
3. Select a report title listed in the table shown later.
4. If needed, enter corresponding values described in the "Data to be entered" column on the table shown later.
5. After the report has been taken, the message "ARE YOU SURE ?" will appear. Select one of the following actions:
 - Select "YES" to reset the sales information.
 - Select "NO" to save the sales information.

■ Flash report

You can take flash reports (display only) in the X1 mode for department sales, cash in drawer (CID) and sales total at the point you take the report

1. Move the mode key to X1/Z1 position.
2. Select "3 FLASH MODE" to display the flash report menu.
3. Select "DEPT SALES" to take a flash report of department sales, "CID" to take a flash report of cash in drawer, or "SALES TOTAL" to take a flash report of sales total.

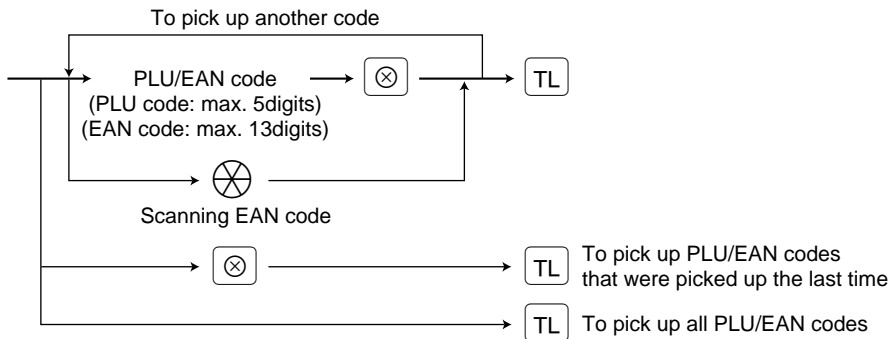
Report title	Description	Available report type in each mode		Data to be entered
		X1/Z1	X2/Z2	
1 GENERAL	General	X1, Z1	X2, Z2	
2 DEPT./GROUP	Department by group	X1	X2	Start/end department codes
3 DEPT.IND. GROUP	Individual group total of departments	X1	X2	Department group no.
4 DEPT.GR. TOTAL	Full group total of departments	X1	X2	
5 PLU	PLU by designated range	X1, Z1	X2, Z2	Start/end PLU/EAN codes
6 PLU PICK UP	PLU/EAN pick up report	X1, Z1	X2, Z2	*1
7 COMBO SALES	Combo sales	X1	X2	Start/end PLU/EAN codes
8 COMBO PICK UP	COMBO sales pick up report	X1	X2	*1
9 PLU BY DEPT	PLU/EAN by associated dept.	X1, Z1	X2, Z2	Department code
10 PLU IND. GROUP	Individual group of PLU/EAN	X1	X2	PLU/EAN group no.
11 PLU GR. TOTAL	Full group total of PLU/EAN	X1	X2	
12 PLU STOCK	PLU/EAN stock	X1		Start/end PLU/EAN codes
13 PLU STOCK PICK UP	PLU/EAN stock pick up report	X1		*1
14 PLU ZERO SALES	PLU/EAN zero sales	X1	X2	All
	PLU/EAN zero sales by department	X1	X2	Department code
15 PLU MIN. STOCK	PLU minimum stock	X1		Start/end PLU/EAN codes
16 PLU CATEGORY	PLU/EAN by price category	X1	X2	Price
17 TRANSACTION	Transaction	X1	X2	
18 TL-ID	Total in drawer	X1		
19 COMMISSION	Commission sales	X1	X2	
20 TAX	Tax	X1	X2	
21 CHIEF	Chief	X1		
22 ALL CLERK	Full clerk	X1, Z1	X2, Z2	
23 IND. CLERK	Individual clerk	X1, Z1	X2, Z2	
		(OP X/Z mode)	X, Z	
24 ALL CASHIER	All cashier	X1, Z1	X2, Z2	Valid only in clerk + cashier system
25 IND. CASHIER	Individual cashier	X1, Z1	X2, Z2	
		(OP X/Z mode)	X, Z	
26 HOURLY	Hourly (full)	X1, Z1		Start/end time
	Hourly (by range)	X1		

Report title	Description	Available report type in each mode		Data to be entered
		X1/Z1	X2/Z2	
27 DAILY NET	Daily net		X2, Z2	
28 GLU	GLU	X1, Z1		Start/end GLU code
29 GLU BY CLERK	GLU by clerk	X1, Z1		
30 BALANCE	Balance	X1	X2	
31 BILL	Bill report	X1, Z1		
32 CUSTOM SALES1	Customer sales 1		X2, Z2	Only details (date and time) Start/end customer codes
33 CUSTOM SALES2	Customer sales 2		X2, Z2	Detail/amount & total Start/end customer codes
34 CUSTOM BY AMT	Customer by designated sales range		X2	Amount
35 CHARGE ACCOUNT	Customer charge account		X2	
36 STACKED REPORT	Stacked report 1	X1, Z1	X2, Z2	
	Stacked report 2	X1, Z1	X2, Z2	

NOTE

*1: You can pick up PLU/EAN codes for issuing the report. You can pick up new PLU/EAN codes or the codes that were picked up the last time. To pick up new codes, select "1 NEW PICKING", and follow the procedure show below to pick up new codes. To pick up the codes that were picked up last time, select "2 LAST PICKING".

Follow the following procedure for picking up PLU/EAN codes.



* The following reports relating to PLU/EAN is issued in the sequence of PLUs and EANs. PLU, PLU BY DEPT, PLU IND. GROUP, PLU ZERO SALES, PLU STOCK, PLU MIN. STOCK and PLU CATEGORY

Also the EAN codes are printed in the sequence shown below.

EAN-13
EAN-8
UPC-A
UPC-E

Daily Sales Totals

General report

Sample X report

X1			
DEPT. /GROUP			
D01	83.000 Q	62.48%	
DPT. 01		*691.66	
DEDUCTION	9 Q		
		-3.60	
D02	21.000 Q	24.67%	
DPT. 02		*273.05	
DEDUCTION	1 Q		
		-0.75	
GROUP1	104.000 Q	87.15%	
		*964.71	
DEDUCTION	10 Q		
		-4.35	
D03	30.000 Q	8.79%	
DPT. 03		*97.25	
DEDUCTION	3 Q		
		-4.05	
GROUP2	30.000 Q	8.79%	
		*97.25	
DEDUCTION	3 Q		
		-4.05	

- Read symbol
- Report title
- Dept. code
- Sales q'ty
- Ratio of dept. 1 sales amount to "+" dept. total
- Dept. description and sales amount
- Item deduction q'ty
- Item deduction amount
- Group 1 total q'ty
- Ratio of dept. group 1 sales amount to "+" dept. total
- Group 1 total amount
- Group 1 text
- Group 1 item deduction amount
- Group 1 item deduction q'ty

*DEPT TL	144.000 Q	100.00%	
		*1106.96	
DEDUCTION	13 Q		
		-8.40	
D13	5.000 Q		
DPT. 13		-10.00	
DEPT (-)	5.000 Q		
		-10.00	
D14	3.000 Q		
DPT. 14		*9.75	
*HASH TL	3.000 Q		
		*9.75	
D15	3.000 Q		
DPT. 15		-3.75	
HASH (-)	3.000 Q		
		-3.75	
D16	2.000 Q		
DPT. 16		*1.00	
*BTTL TL	2.000 Q		
		*1.00	

- "+" dept. sales q'ty and total
- "+" dept. deduction q'ty and total
- "-" dept. counter and total
- "+" hash dept. counter and total
- "-" hash dept. counter and total
- "+" bottle return dept. counter and total

Sample Z report

Z1	
GENERAL Z1	0001
GT1	*00000003819.88
GT2	*00000004056.63
GT3	-00000000236.75
BAL	*00000000183.43
TR	*00000000030.07
DEPT. /GROUP	

- Reset counter
- Net grand total (GT2-GT3)
- Grand total of plus registration
- Grand total of minus registration
- Order - paid total
- Grand total of training-mode registrations

↓

The subsequent printout occurs in the same format as in the sample X1 report.

D17	5.000 Q			
DPT. 17			-2.50	
B TTL (-)	5.000 Q		-2.50	} "-" bottle return dept. counter and total
D18	0.000 Q			
DPT. 18			*0.00	
*NT TL1	0.000 Q		*0.00	} Non-turnover 1 counter and total
D19	2.000 Q			
DPT. 19			*30.50	
*NT TL2	2.000 Q		*30.50	} Non-turnover 2 counter and total
D20	2.000 Q			
DPT. 20			*3.00	
*NT TL3	2.000 Q		*3.00	} Non-turnover 3 counter and total
TRANSACTION				Report title
(-) 2	1 Q		-0.25	Subtotal (-) counter and total
%1	1 Q		-3.02	Subtotal % counter and total
%3	1 Q		-22.00	
NET 1			*1070.19	Net sales total
TAX1 ST			*633.27	Taxable 1 total
VAT 1			*1.00	VAT 1 total
TAX2 ST			*591.66	

TAX6 ST			*94.65	
VAT 6			*0.00	
TTL TAX			*3.20	
VAT SFT			*1.91	
TAX DELE			*1.50	
SER. CHRG			*79.72	
NET 2			*1153.11	Printed in case add-on tax is included.
(-) 1	1 Q		-0.50	Item (-) counter and total
(-) 3	2 Q		-0.30	
(-) 4	1 Q		-0.75	
(-) 5	2 Q		-0.60	
%2	1 Q		*1.50	Item % counter and total
%4	1 Q		-0.75	
%5	1 Q		-3.00	
DISCOUNT	1 Q		-4.00	Discount in promotion sale
CP PLU	0 Q		*0.00	Coupon-like PLU counter and total
REFUND	5 Q		*8.73	Refund counter and total
VD	1 Q		*3.00	REG-mode item void counter and total
VOID	1 Q		*10.85	Void-mode transaction counter and total
MGR VD	1 Q		*10.00	Manager item void counter and total
SBTL VD	1 Q		*18.96	Subtotal void counter and total
RETURN	1 Q		*1.91	Return counter and total
HASH VD	1 Q		*3.25	Hash item void counter and total
HASH RF	1 Q		*3.25	Hash item refund counter and total
HASH RT	1 Q		*3.25	Hash item return counter and total
NOTURNVD	1 Q		*10.00	Non-turnover item void counter and total
NOTURNRF	1 Q		*10.00	Non-turnover item refund counter and total
NOTURNRT	1 Q		*10.00	Non-turnover item return counter and total

VP CNT	0 Q		Validation print counter
BILL CNT	1 Q		Bill print counter
NO SALE	2 Q		No-sale (exchange) counter
G. C. CNT	0 Q		Guest check copy counter
GUEST	66 Q		Guest counter
ORDER TL		*1159.11	Order total
PAID TL		*1028.95	Paid total
AVE.		*15.59	Paid total average per guest
O-P		*130.16	Order total - paid total
VIP1 SALE		*5.64	Vip 1 sale
VIP2 SALE		*3.65	Vip 2 sale
VIP3 SALE		*5.25	Vip 3 sale
TRAN. OUT	2 Q	*75.00	Trans out counter and total
TRAN. IN	1 Q	*25.00	Trans in counter and total
BILL BAL	1 Q	*50.00	Bill balance (Trans out - trans in) counter and total
SCM (+)		*50.00	Starting cash memory (+)
SCM (-)		-50.00	Starting cash memory (-)
SCM TTL		*0.00	Starting cash memory total
***RA	1 Q	*10.00	Received-on-account counter and total
***RA2	1 Q	*15.00	
***PO	1 Q	*10.00	Paid-out counter and total
***PO2	1 Q	*30.00	
CA/CHK	1 Q	*10.00	Check cashing counter and total
CA/CHK2	1 Q	*15.00	
CA/CHK3	1 Q	*5.00	
CA/CHK4	1 Q	*10.00	
CA/CHK5	1 Q	*5.00	
DEPOSIT	1 Q	*10.00	Deposit (+) counter and total
DEPO. (-)	1 Q	-10.00	Deposit (-) counter and total
CASH TIP	2 Q	*4.00	Cash tip counter and total
NOCA TIP	1 Q	*4.00	Non-cash tip counter and total
TIP PAID	0 Q	*0.00	Tip paid counter and total
CASH	35 Q	*488.57	Cash counter and total
CASH2	1 Q	*10.85	Cash 2 counter and total
CASH3	2 Q	*46.65	
CASH4	1 Q	*14.09	
CASH5	1 Q	*13.30	
CHECK	1 Q	*20.00	Check sale counter and total
CHECK5	1 Q	*10.00	
CREDIT1	2 Q	*52.99	Credit 1 sale and tendering counter and total
CREDIT9	1 Q	*21.71	
CHARGE	1 Q	*10.85	
EXCH1	1 Q	60.00	Exchange 1 cash counter and total
DOM. CUR1		*38.70	
EX1 CHK	0 Q	0.00	Exchange 1 check counter and total
DOM. CUR1 CHK		*0.00	
EX1 CREDIT	0 Q	0.00	Exchange 1 credit counter and total
DOM. CUR1 CR		*0.00	
EXCH2	1 Q	60.00	
DOM. CUR2		*30.67	
EXCH3	1 Q	25.00	
EXCH9	1 Q	26.00	
DOM. CUR9		*14.28	
***CID		*461.56	Cash in drawer
*CH ID		*119.70	Check in drawer
CA/CK ID		*581.26	Cash+check in drawer
CHK/CG		*4.89	Change total for check tendering

Department report

X1			
DEPT. /GROUP			Dept. code
			Sales q'ty
DO1	440.490 Q	58.89%	Dept. description
DPT. 01		*2184.40	Sales amount
DEDUCTION	16 Q		Item deduction q'ty
		-8.25	Item deduction amount
DO2	91.000 Q	15.96%	Ratio of dept.
DPT. 02		*591.97	2 sales amount to
DEDUCTION	1 Q		"+" dept. total
		-0.50	Group 1 total sales q'ty
GROUP1	531.490 Q	74.85%	Ratio of dept. group 1
		*2776.37	sales amount to
DEDUCTION	17 Q		"+" dept. total
		-8.75	Group 1 total sales amount
			Group 1 text
			Group 1 deduction total amount
			Group 1 deduction total q'ty
DEDUCTION	0 Q	*0.00	
GROUP9	5.000 Q	0.23%	
		*8.70	
DEDUCTION	0 Q	*0.00	
*DEPT TL	776.616 Q	100.00%	} "+" dept. counter and total
		*3709.21	
DEDUCTION	18 Q	-9.50	} "+" department deduction q'ty and total
D13	3.000 Q		
DPT. 13		-4.00	
DEPT (-)	3.000 Q	-4.00	} "-" dept. counter and total
D14	8.000 Q		
DPT. 14		*26.00	
*HASH TL	8.000 Q	*26.00	} "+" hash dept. counter and total
D15	5.000 Q		
DPT. 15		-6.25	
HASH (-)	5.000 Q	-6.25	} "-" hash dept. counter and total
D16	2.000 Q		
DPT. 16		*1.00	
*BTTL TL	2.000 Q	*1.00	} "+" bottle return dept. counter and total
D17	7.000 Q		
DPT. 17		-3.50	
BTTL (-)	7.000 Q	-3.50	} "-" bottle return dept. counter and total
D18	6.000 Q		
DPT. 18		*60.00	
*NT TL1	6.000 Q	*60.00	} Non-turnover 1 counter and total

D20	2.000 Q	
DPT. 20		*3.00
*NT TL3	2.000 Q	*3.00

■ Individual group total report on departments

X1		
DEPT. IND. GROUP		
DO1	440.490 Q	
DPT. 01		*2184.40
DEDUCTION	16 Q	
		-8.25
DO2	91.000 Q	
DPT. 02		*591.97
DEDUCTION	1 Q	
		-0.50
GROUP1	531.490 Q	
		*2776.37
DEDUCTION	17 Q	
		-8.75

Dept. code
 Sales q'ty
 Sales amount
 Dept.description
 Item deduction q'ty
 Item deduction amount
 Group 1 text/sales q'ty and total
 Group 1 deduction total q'ty and total

■ Full group total report on departments

X1		
DEPT. GR. TOTAL		
GROUP1	531.490 Q	74.85%
		*2776.37
GROUP2	119.626 Q	10.37%
		*384.71

Group 1 text/sales q'ty and total

GROUP9	5.000 Q	0.23%
		*8.70
*DEPT TL	776.616 Q	100.00%
		*3709.21
DEPT (-)	3.000 Q	
		-4.00
*HASH TL	8.000 Q	
		*26.00
HASH (-)	5.000 Q	
		-6.25
*BTTL TL	2.000 Q	
		*1.00
BTTL (-)	7.000 Q	
		-3.50
*NT TL1	6.000 Q	
		*60.00
*NT TL2	1.000 Q	
		*15.25
*NT TL3	2.000 Q	
		*3.00

PLU/EAN report by designated range

X1			
PLU			PLU code
	00001-	999999	PLU range
PLU			
P00001			
PL00001	71.000 Q	*253.27	Price level 1 description, sales q'ty and total
PLU1-P2	2.000 Q	*4.00	Price level 2 description, sales q'ty and total
PLU1-P3	3.000 Q	*6.60	
P00002			
PL00002	41.000 Q	*206.86	Price level 3 description, sales q'ty and total
PLU2-P2	4.000 Q	*7.74	
PLU2-P3	2.000 Q	*2.00	
P00075			
PL00075	6.000 Q	*66.00	
PLU75-2	3.000 Q	*20.00	
PLU75-3	3.000 Q	*16.95	
***TOTAL			
L1	341.116 Q	*1693.88	Total sales q'ty and total for price level 1
L2	11.000 Q	*36.46	
L3	12.000 Q	*34.99	
COMBO MEAL			Combo meal PLU sales
P00011			
PL00011	14.000 Q	*133.00	
PL00011	2.000 Q	*30.00	
PL00011	1.000 Q	*15.00	
PL00013			
PL00013	2.000 Q	*30.00	
PL00013	0.000 Q	*0.00	
***TOTAL			Total for combo meal PLU sales
L1	35.000 Q	*412.00	
L2	4.000 Q	*60.00	
L3	1.000 Q	*15.00	
EAN			EAN code
5012345678900#			Price level 1 description, sales q'ty and amount total
ITEM-A	17.000 Q	*51.00	
A12345	3.000 Q	*9.00	Add-on code (5-digit)
A01	3.000 Q	*9.00	Add-on code (2-digit)
ITEM-A P2	3.000 Q	*9.75	Price level 2 q'ty and amount
ITEM-A P3	2.000 Q	*8.00	Price level 3 q'ty and amount

509988765432#		
ITEM-M	20.000 Q	*100.00
A02	20.000 Q	*100.00
ITEM-M P2	0.000 Q	*0.00
ITEM-M P3	0.000 Q	*0.00
***TOTAL		
L1	48.000 Q	*208.05
L2	3.000 Q	*9.75
L3	2.000 Q	*8.00
COMBO MEAL		
5045678912304#		
ITEM-P	21.000 Q	*38.74
ITEM-P P2	2.000 Q	*8.00
ITEM-P P3	3.000 Q	*12.00
***TOTAL		
L1	21.000 Q	*38.74
L2	2.000 Q	*8.00
L3	3.000 Q	*12.00

509988765432#		
COMBO MEAL		
5045678912304#		
ITEM-P	21.000 Q	*38.74
ITEM-P P2	2.000 Q	*8.00
ITEM-P P3	3.000 Q	*12.00
***TOTAL		
L1	21.000 Q	*38.74
L2	2.000 Q	*8.00
L3	3.000 Q	*12.00

* When you take a Z report, "Z1" is printed instead of "X1".

■ Combo sales report

X1		
COMBO SALES		
PLU	00001-	99999
P00001		
PL00001	71.000 Q	*253.27
COMBO	3.000 Q	*5.10
P00002		
PL00002	41.000 Q	*206.86
COMBO	3.000 Q	*3.45
P00003		
PL00003	37.126 Q	*164.96
COMBO	3.000 Q	*3.45
P00014		
PL00014	1.000 Q	*1.50
COMBO	8.000 Q	*40.00
P00015		
PL00015	2.000 Q	*4.45
COMBO	8.000 Q	*40.00
P00016		
PL00016	2.000 Q	*13.00
COMBO	8.000 Q	*40.00
***TOTAL		
L1	154.126 Q	*644.04
COMBO	33.000 Q	*132.00
L2	0.000 Q	*0.00
COMBO	0.000 Q	*0.00
L3	0.000 Q	*0.00
COMBO	0.000 Q	*0.00

PLU code
PLU range

Price level 1
description,
sales q'ty and total
Price level 1 combo
sales q'ty and total

■ PLU/EAN report by associated department

X1		
PLU BY DEPT		
DPT. 02	D02	
PLU		
P00002		
PL00002	41.000 Q	*206.86
COMBO	3.000 Q	*3.45
PLU2-P2	4.000 Q	*7.74
PLU2-P3	2.000 Q	*2.00
***TOTAL		
L1	41.000 Q	*206.86
COMBO	3.000 Q	*3.45
L2	4.000 Q	*7.74
COMBO	0.000 Q	*0.00
L3	2.000 Q	*2.00
COMBO	0.000 Q	*0.00
EAN		
5056789123404#		
ITEM-F	1.000 Q	*3.45
ITEM-F P2	0.000 Q	*0.00
ITEM-P P3	0.000 Q	*0.00
***TOTAL		
L1	1.000 Q	*3.45
L2	0.000 Q	*0.00
L3	0.000 Q	*0.00

*
Description of
associated dept

Associated
dept. code

PLU code

Price level 1
description,
sales q'ty and total

Price combo meal
q'ty and total

PLU total

EAN code

Price level 1
description,
sales q'ty and total

EAN total

* When you take a Z report, "Z1" is printed instead of "X1".

■ Individual group report on PLU/EAN

X1		
PLU IND. GROUP		
PLU		
P00075		
PL00075	6.000 Q	*66.00
PLU75-2	3.000 Q	*20.00
PLU75-3	3.000 Q	*16.95
EAN		
5089123456708#		
ITEM-D	3.000 Q	*15.75
ITEM-D P2	0.000 Q	*0.00
ITEM-D P3	0.000 Q	*0.00
PLU GR99	15.000 Q	3.20% *118.70
*DEPT TL	776.616 Q	100.00% *3709.21

PLU code

Price level 1
description,
sales q'ty and total

EAN code

Price level 1
description,
sales q'ty and total

Group 99 label

Group 99 sales
q'ty and total

Plus dept. total

■ Full group total report on PLU/EAN

X1		
PLU GR. TOTAL		
PLU GR00	0.000 Q	0.00%
		*0.00
PLU GR01	314.490 Q	43.21%
		*1602.66
PLU GR02	82.000 Q	15.44%
		*572.55
PLU GR03	71.626 Q	6.55%
		*242.96
PLU GR99	15.000 Q	3.20%
		*118.70
*DEPT TL	776.616 Q	100.00%
		*3709.21

■ PLU/EAN zero sales report (full)

X1	
PLU ZERO SALES	
PLU	
P00013	PL00013
P00020	PL00020
EAN	
5087654321106#ITEM-J	

■ PLU/EAN stock report

X1	
PLU STOCK	
	00001- 999999
PLU	
P00001	
PL00001	16.000 S
P00002	
PL00002	32.000 S
P00003	
PL00003	29.000 S
P00020	
PL00020	15.000 S
EAN	
5012345678900#	
ITEM-A	28.000 S
5089123456708#	
ITEM-D	5.000 S

■ PLU/EAN zero sales report (by dept.)

X1	
PLU ZERO SALES	
DPT. 01	DO1
PLU	
P00013	PL00013
EAN	

■ PLU/EAN price category report

X1			
PLU CATEGORY			
	0.01-	5.00	Price range
PLU			
P00001			
PL00001	71.000 Q	*253.27	
PLU1-P2	2.000 Q	*4.00	
PLU1-P3	3.000 Q	*6.60	
P00002			
PL00002	41.000 Q	*206.86	

***TOTAL		
L1	263.426 Q	*1344.86
L2	6.000 Q	*11.74
L3	5.000 Q	*8.60

COMBO MEAL

***TOTAL		
L1	0.000 Q	*0.00
L2	0.000 Q	*0.00
L3	0.000 Q	*0.00

EAN		
5012345678900#		
ITEM-A	17.000 Q	*51.00
A12345	3.000 Q	*9.00
A01	3.000 Q	*9.00
ITEM-A P2	3.000 Q	*9.75
ITEM-A P3	2.000 Q	*8.00

COMBO MEAL		
5045678912304#		
ITEM-P	21.000 Q	*38.74
ITEM-P P2	2.000 Q	*8.00
ITEM-P P3	3.000 Q	*12.00

***TOTAL		
L1	21.000 Q	*38.74
L2	2.000 Q	*8.00
L3	3.000 Q	*12.00

■ PLU/EAN minimum stock report

X1			
PLU MIN. STOCK			
	00001-	999999	Range
PLU			
P00011			
PL00011		3.000 S	Stock q'ty
P00012			

PL00058		-8.250 S
EAN		
5089123456708#		
ITEM-D		2.000 S

■ Total in drawer report

X1		
TL-ID		
EXCH1	4 Q	321.70
DOM. CUR1		*207.49
EXCH2	3 Q	221.30
DOM. CUR2		*113.13
EXCH3	1 Q	40.00
DOM. CUR3		*25.79
EXCH4	1 Q	40.00
DOM. CUR4		*28.98
EXCH5	1 Q	100.00
DOM. CUR5		*68.49
EXCH6	1 Q	150.00
DOM. CUR6		*121.95
EXCH7	1 Q	80.00
DOM. CUR7		*53.33
EXCH8	2 Q	70.00
DOM. CUR8		*42.93
EXCH9	1 Q	70.00
DOM. CUR9		*38.46
****CID		*203105.71
*CH ID		*246.80
CA/CK ID		*203352.51

Exchange 1 counter

Currency exchange 1 total

Domestic currency for currency exchange 1 total

Total in drawer

Check in drawer

Cash + check in drawer

Transaction report

X1			
TRANSACTION			
*DEPT TL	776.616 Q	*3709.21	Plus dept. total
DEPT (-)	3.000 Q	-4.00	Minus dept. total
*HASH TL	8.000 Q	*26.00	Hash dept. total
HASH (-)	5.000 Q	-6.25	Hash minus total
*BTTL TL	2.000 Q	*1.00	Bottle return dept. total
BTTL (-)	7.000 Q	-3.50	Bottle return minus total
*NT TL1	6.000 Q	*60.00	Non-turnover 1 total
*NT TL2	1.000 Q	*15.25	
*NT TL3	2.000 Q	*3.00	



In this report, the same transaction data as those printed in the general report are printed.

Commission sales report

X1			
COMMISSION			
COM. SAL1		*901.19	Commission sale 1 total
COM. AMT1		*90.12	
COM. SAL2		*180.00	Commission amount 1 = Commission sale x Commission rate
COM. AMT2		*36.00	
COM. SAL3		*21.00	
COM. AMT3		*1.05	
COM. SAL4		*2.23	
COM. SAL5		*40.15	
COM. SAL6		*5.25	
COM. SAL7		*3.85	
COM. SAL8		*4.26	
COM. SAL9		*3.21	
COM. AMT9		*0.48	
COM. TTL		*127.65	Commission amount total
NON COM.		*2639.57	Non-commission sales amount
NET 1		*3687.38	

■ Tax report

X1	
TAX	
NET 1	*3687.38
TAX1 ST	*454.95
VAT 1	*21.66
TAX2 ST	*394.00
VAT 2	*39.05
TAX3 ST	*180.00
VAT 3	*30.00
TAX4 ST	*180.00
VAT 4	*16.36
TAX5 ST	*21.00
VAT 5	*1.37
TAX6 ST	*21.00
VAT 6	*2.74
TTL TAX	*111.18
NET	*3576.20

Net sales total

Taxable 1 total

VAT 1 total

Tax total

Net sales total without tax

■ Full clerk report

X1	
ALL CLERK	
CLK#0001	CLERK0001



The subsequent printout occurs in the same format as in the individual clerk report from the clerk #1. In the full clerk report, the total sales of all clerks are also printed.

* When you take a Z report, "Z1" is printed instead of "X1".

■ Chief report

X1	
CHIEF	
T. TABLE	*74.62
*3731.10	50 Q
T. GUEST	*20.73
*3731.10	180 Q
T. BILL	*128.66
*3731.10	29 Q
I. GUEST	4.315 Q
776.616 Q	180 Q
I. BILL	26.780 Q
776.616 Q	29 Q
AVE. ITEM	*4.78
*3709.21	776.616 Q

Turnover amount per table

Order total/used guest check

Turnover amount per guest

Order total/guest counter

Turnover amount per bill

Order total/new check q'ty

Item q'ty per guest

"+" dept. q'ty/guest q'ty

Item q'ty per bill

"+" dept. q'ty/new check q'ty

Average of item amount

"+" dept. amount/"+" dept. q'ty

■ Individual clerk report

(In case of clerk only system)

X1			*1
IND. CLERK			Clerk code
CLK# 0001	CLERK 0001		Clerk name
ORDER TL		*4771.80	Order total
PAID TL		*4652.41	Paid total
AVE.		*17.04	Paid total average per guest
O-P		*119.39	Order total-paid total
COM. SAL1		*1893.44	Commission sale 1 total
COM. AMT1		*189.34	Commission amount 1
COM. SAL2		*434.25	
COM. AMT2		*86.85	
COM. SAL3		*85.95	
COM. AMT3		*4.30	
COM. SAL4		*13.38	
COM. SAL5		*40.15	
COM. SAL6		*5.25	
COM. SAL7		*3.85	
COM. SAL8		*4.26	
COM. SAL9		*3.21	
COM. AMT9		*0.48	
COM. TTL		*280.97	Commission amount total
NON COM.		*2319.36	Non-commission sales amount
*NT TL1		*62.00	Non-turnover 1 total
*NT TL2		*45.75	
*NT TL3		*6.00	
VIP1 SALE		*12.05	Vip 1 sale
VIP2 SALE		*3.65	Vip 2 sale
VIP3 SALE		*5.25	Vip 3 sale
TRAN. OUT	4 Q	*51.36	Trans out counter and total
TRAN. IN	1 Q	*25.00	Trans in counter and total
BILL. BAL	3 Q	*26.36	Bill balance (Trans out-trans in)
REFUND	8 Q	*27.48	Refund counter and total
VD	2 Q	*6.25	Item void-mode transaction counter and total
VOID	1 Q	*10.85	Void-mode transaction counter and total
MGR VD	1 Q	*10.00	Manager item void counter and total
SBTL VD	11 Q	*3690.10	Subtotal item void counter and total
RETURN	6 Q	*41.16	Return counter and total
G. C. CNT	0 Q		Guest check copy counter
GUEST	273 Q		Guest counter
DEPOSIT	3 Q	*75.00	Deposit (+) counter and total
DEPO. (-)	2 Q	-60.00	Deposit (-) counter and total
SCM (+)		*1176.50	Starting cash memory (+)
SCM (-)		-1121.00	Starting cash memory (-)
SCM TTL		*55.50	Starting cash memory total

*1 When you take a Z report, "Z1" is printed instead of "X1".

SER. CHRG		*159.21	Service charge total
CASH TIP	7 Q	*13.60	Cash tip counter and total
NOCA TIP	4 Q	*14.20	Non-cash tip counter and total
TIP PAID	0 Q	*0.00	Tip-paid counter and total
CASH	206 Q	*3108.59	Cash counter and total
CASH2	1 Q	*10.85	
CASH3	2 Q	*46.65	
CASH4	1 Q	*14.09	
CASH5	1 Q	*13.30	
CHECK	10 Q	*219.51	Check 1 sale counter and total
CHECK2	3 Q	*26.26	
CHECK3	2 Q	*15.70	
CHECK4	2 Q	*35.00	
CHECK5	2 Q	*39.39	
CREDIT1	9 Q	*151.56	Credit 1 sale and tendering and total
CREDIT2	4 Q	*59.80	
CREDIT3	2 Q	*37.46	
CREDIT4	2 Q	*33.11	
CREDIT5	2 Q	*49.84	
CREDIT6	1 Q	*10.31	
CREDIT7	1 Q	*7.72	
CREDIT8	1 Q	*26.97	
CREDIT9	1 Q	*21.71	
CHARGE	1 Q	*10.85	
EXCH1	5 Q	381.70	Exchange 1 counter and total
DOM. CUR1		*246.19	
EXCH2	4 Q	281.30	
DOM. CUR2		*143.80	
EXCH3	2 Q	65.00	
DOM. CUR3		*41.91	
EXCH4	2 Q	70.00	
DOM. CUR4		*50.71	
EXCH5	2 Q	116.00	
DOM. CUR5		*79.44	
EXCH6	2 Q	190.00	
DOM. CUR6		*154.47	
EXCH7	2 Q	125.00	
DOM. CUR7		*83.33	
EXCH8	3 Q	120.00	
DOM. CUR8		*73.59	
EXCH9	2 Q	96.00	
DOM. CUR9		*52.74	
***CID		*3024.14	Cash in drawer
*CH ID		*417.06	
CA/CK ID		*3441.20	Cash + check in drawer
CHK/CG		*15.17	Change total for check tendering
GLU#1000			} Open GLU code
GLU#1002			
GLU#1005			
GLU#1100			
FREE GLU			} Free GLU code
GLU#1007			

*2

*2 From here, the printing is selectable by programming; "PRINT ON CLK" in department and PLU/EAN programming in ARTICLE menu. When "YES" is selected, the printing of department report and/or PLU/EAN report will be done.

■ Individual clerk report (In case of cashier only system)

X1		
IND. CLERK		
CLK#0001	CLERK0001	
PAID TL		*3155.74
AVE.		*19.13
VIP1 SALE		*6.41
VIP2 SALE		*0.00
VIP3 SALE		*0.00
REFUND	2 Q	*15.50
VD	0 Q	*0.00
VOID	0 Q	*0.00
MGR VD	0 Q	*0.00
SBTL VD	10 Q	*3671.14
RETURN	4 Q	*36.00
NO SALE	4 Q	
G. C. CNT	0 Q	
GUEST	165 Q	
***RA	2 Q	*96.00
***RA2	0 Q	*0.00
***PO	2 Q	*30.00
***PO2	0 Q	*0.00
SCM (+)		*1176.50
SCM (-)		-1121.00
SCM TTL		*55.50
CASH TIP	6 Q	*11.60
NOCA TIP	3 Q	*10.20
TIP PAID	0 Q	*0.00
CASH	129 Q	*2152.30
CASH2	0 Q	*0.00
CASH3	0 Q	*0.00
CASH4	0 Q	*0.00
CASH5	0 Q	*0.00
CHECK	9 Q	*199.51
CHECK2	1 Q	*7.26
CHECK3	1 Q	*10.00
CHECK4	1 Q	*15.00
CHECK5	1 Q	*29.39
CREDIT1	7 Q	*98.57
CREDIT2	3 Q	*48.95
CREDIT3	1 Q	*15.75
CREDIT4	1 Q	*17.00
CREDIT5	1 Q	*24.00
CREDIT6	0 Q	*0.00
CREDIT7	0 Q	*0.00
CREDIT8	0 Q	*0.00
CREDIT9	0 Q	*0.00
CHARGE	0 Q	*0.00

EXCH1	4 Q	321.70
DOM. CUR1		*207.49
EXCH2	3 Q	221.30
DOM. CUR2		*113.13
EXCH3	1 Q	40.00
DOM. CUR3		*25.79
EXCH4	1 Q	40.00
DOM. CUR4		*28.98
EXCH5	1 Q	100.00
DOM. CUR5		*68.49
EXCH6	1 Q	150.00
DOM. CUR6		*121.95
EXCH7	1 Q	80.00
DOM. CUR7		*53.33
EXCH8	2 Q	70.00
DOM. CUR8		*42.93
EXCH9	1 Q	70.00
DOM. CUR9		*38.46
****CID		*2096.86
*CH ID		*297.36
CA/CK ID		*2394.22
CHK/CG		*10.28

*2

*1 When you take a Z report, "Z1" is printed instead of "X1".

*2 From here, the printing is selectable by programming; "PRINT ON CLK" in department and PLU/EAN programming in ARTICLE menu. When "YES" is selected, the printing of department report and/or PLU/EAN report will be done.

■ Individual clerk report (In case of cashier + clerk system)

X1	
IND. CLERK	
CLK#0001	CLERK0001
COM. SAL1	*819.19
COM. AMT1	*81.92
COM. SAL2	*180.00
COM. AMT2	*36.00
COM. SAL3	*21.00
COM. AMT3	*1.05
COM. SAL4	*2.23
COM. SAL5	*40.15
COM. SAL6	*5.25
COM. SAL7	*3.85
COM. SAL8	*4.26
COM. SAL9	*3.21
COM. AMT9	*0.48
COM. TTL	*119.45
NON COM.	*2041.50

*2

*1 When you take a Z report, "Z1" is printed instead of "X1".

*2 From here, the printing is selectable by programming; "PRINT ON CLK" in department and PLU/EAN programming in ARTICLE menu. When "YES" is selected, the printing of department report and/or PLU/EAN report will be done.

■ Full cashier report (In case of cashier + clerk system)

X1	
ALL CASHIER	
CSR#0001	CASHIER0001



The subsequent printout occurs in the same format as in the individual cashier report from the cashier #1. In the full cashier report, the total sales of all cashiers are also printed.

* When you take a Z report, "Z1" is printed instead of "X1".

■ Individual cashier report (In case of cashier + clerk system)

X1		
IND. CASHIER		
CSR#0001	CASHIER001	
PAID TL		*1012.67
AVE.		*15.58
VIP1 SALE		*5.64
VIP2 SALE		*3.65
VIP3 SALE		*5.25
REFUND	6 Q	*11.98
VD	2 Q	*6.25
VOID	1 Q	*10.85
MGR VD	1 Q	*10.00
SBTL VD	1 Q	*18.96
RETURN	2 Q	*5.16
NO SALE	2 Q	
G.C. CNT	0 Q	
GUEST	65 Q	
***RA	1 Q	*10.00
***RA2	1 Q	*15.00
***PO	1 Q	*10.00
***PO2	1 Q	*30.00
SCM (+)		*50.00
SCM (-)		-50.00
SCM TTL		*0.00
CASH TIP	1 Q	*2.00
NOCA TIP	1 Q	*4.00
TIP PAID	0 Q	*0.00
CASH	34 Q	*472.29
CASH2	1 Q	*10.85
CASH3	2 Q	*46.65
CASH4	1 Q	*14.09
CASH5	1 Q	*13.30
CHECK	1 Q	*20.00
CHECK2	2 Q	*19.00
CHECK3	1 Q	*5.70
CHECK4	1 Q	*20.00
CHECK5	1 Q	*10.00
CREDIT1	2 Q	*52.99
CREDIT2	1 Q	*10.85
CREDIT3	1 Q	*21.71
CREDIT4	1 Q	*16.11
CREDIT5	1 Q	*25.84
CREDIT6	1 Q	*10.31
CREDIT7	1 Q	*7.72
CREDIT8	1 Q	*26.97
CREDIT9	1 Q	*21.71
CHARGE	1 Q	*10.85

EXCH1	1 Q	60.00
DOM. CUR1		*38.70
EXCH2	1 Q	60.00
DOM. CUR2		*30.67
EXCH3	1 Q	25.00
DOM. CUR3		*16.12
EXCH4	1 Q	30.00
DOM. CUR4		*21.73
EXCH5	1 Q	16.00
DOM. CUR5		*10.95
EXCH6	1 Q	40.00
DOM. CUR6		*32.52
EXCH7	1 Q	45.00
DOM. CUR7		*30.00
EXCH8	1 Q	50.00
DOM. CUR8		*30.66
EXCH9	1 Q	26.00
DOM. CUR9		*14.28
****CID		*443.28
*CH ID		*119.70
CA/CK ID		*562.98
CHK/CG		*4.89

* When you take a Z report, "Z1" is printed instead of "X1".

Hourly report

X1		
HOURLY		
11:00	6 Q	*151.01
AVE.		*25.17
11:30	14 Q	*198.05
AVE.		*14.15
SUBTOTAL	20 Q	*349.06
12:00	10 Q	*130.44
AVE.		*13.04
12:30	11 Q	*361.16
10:30	3 Q	*44.03
AVE.		*14.68
SUBTOTAL	3 Q	*44.03

Time
Transaction counter
Sales total
Average of sales amount

* When you take a Z report, "Z1" is printed instead of "X1".

GLU report

X1	
GLU	GLU code
	1-9999 Range
GLU#1000	0002 Cashier/clerk code
***PBAL	*3.25 PBAL
DEPOSIT	*30.00 Deposit (+) total
DEPO. (-)	*0.00 Deposit (-) total
GLU#1002	0002
***PBAL	*1.50
DEPOSIT	*0.00
DEPO. (-)	*0.00
GLU#1003	0002
***PBAL	*12.55
DEPOSIT	*0.00
DEPO. (-)	*0.00
GLU#1004T	0003
***PBAL	*23.62
"T": This GLU code was used in the training mode.	
FREE GLU	Free GLU code
GLU#1001	(This code has been transferred out.)
***PBAL	*10.25
DEPOSIT	*0.00
DEPO. (-)	*0.00
***TOTAL	
***PBAL	*116.84
DEPOSIT	*30.00
DEPO. (-)	*0.00
Total	

* When you take a Z report, "Z1" is printed instead of "X1".

■ GLU report by clerk

X1		*
GLU BY CLERK		
CLK#0002	CLERK0002	Cashier/clerk code Cashier/clerk name
GLU#1000		GLU code
***PBAL	*3.25	PBAL
DEPOSIT	*30.00	Deposit (+) total
DEPO. (-)	*0.00	Deposit (-) total
GLU#1002		
***PBAL	*1.50	
DEPO. (-)	*0.00	
FREE GLU		
GLU#1001		Free GLU code (This code has been transferred out.)
***PBAL	*10.25	
DEPOSIT	*0.00	
DEPO. (-)	*0.00	
***TOTAL		
***PBAL	*83.28	} Total
DEPOSIT	*30.00	
DEPO. (-)	*0.00	

* When you take a Z report, "Z1" is printed instead of "X1".

■ Bill report

X1		*
BILL		
#0003	0002	Bill number Clerk number
16/12/2001	*10.00	Date Amount
#0004	0002	
16/12/2001	*23.56	

* When you take a Z report, "Z1" is printed instead of "X1".

■ Balance report

X1		
BALANCE		Grand total balance of the previous day
OLD BAL.	*183.43	Order total
ORDER TL	*1643.11	Paid total
PAID TL	*1512.95	
BALANCE	*313.59	Old balance + today's balance

■ X1/Z1 stacked report

You can print multiple X1/Z1 reports in sequence under a single transaction. In this case you need to program in advance which X1/Z1 reports should be printed. Refer to "Stacked report" under Section "Report Programming" in Chapter 13 "Programming."

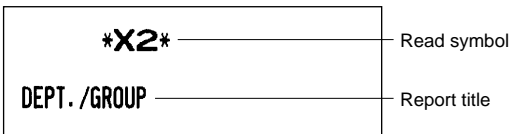
Periodic Consolidation

Your POS terminal allows you to take consolidation X and Z reports of a chosen period (the period is usually one week or month).

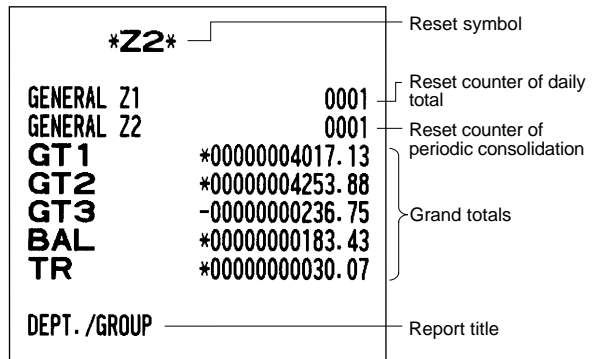
■ General information

The periodic reading or resetting reports are the same in format as those in the X1/Z1 report for daily sales information except mode indication ("X2" or "Z2").

• Sample X report



• Sample Z report



The subsequent printouts are the same in format as those in the X/Z report on daily totals.

■ Daily net report

X2	*	
DAILY NET	Date	
01/09	54 Q *1732.00	Guest q'ty
02/09	64 Q *2146.00	Sales total
03/09	57 Q *1384.53	
29/09	61 Q *2163.50	
30/09	59 Q *1935.31	Guest total
***TOTAL	298 Q *44761.34	Net amount total

* When you take a Z report, "Z2" is printed instead of "X2".

■ Customer sales report 1 and 2

NOTE

Customer sales report 1 and 2 are printed in the same format except the report title. You can print either report depending on the programming of CUSTOMER DATA in FUNC.SELECT2 menu. On the customer sales report 1, you can print (and reset in Z2 mode) details (date/sales item) only. On the customer sales report 2, you can print (and reset in Z2 mode) accumulated sales q'ty/total and details.

X2			*
CUSTOM SALES1			
#0000000000001-#9999999999999			Code range
#0800000000075			Customer code
NAME-1			Name
ADDRESS-1			Address
	2 Q	*94.93	Sales q'ty and total
CHARGE		*23.70	Charge account
16/12/2001			Date
P00006	1.000 Q		Sales items
PL00006		*53.70	
16/12/2001			
P00001	1.000 Q		
PL00001		*1.91	
#0800000001232			
NAME5			
ADDR5			
	1 Q	*6.80	
CHARGE		*0.00	
16/12/2001			
P00001	1.000 Q		
PL00001		*6.80	
SUBTOTAL			
	5 Q	*155.87	Subtotal on the report
CHARGE		*38.70	
***TOTAL			
	5 Q	*155.87	The full total on the customer file
CHARGE		*38.70	

* When you take a Z report, "Z2" is printed instead of "X2".

Customer sales report by sales range

X2			*
CUSTOM BY AMT			
	*0.01-	*9999.99	Sales range
#0800000000075			Customer code
NAME-1			Name
ADDRESS-1			Address
	2 Q	*94.93	Sales q'ty and total
CHARGE		*23.70	Charge account
16/12/2001			Date
P00006	1.000 Q		Sales items
PL00006		*53.70	
16/12/2001			
P00001	1.000 Q		
#0800000001232			
NAME5			
ADDR5			
	1 Q	*6.80	
CHARGE		*0.00	
16/12/2001			
P00001	1.000 Q		
PL00001		*6.80	
SUBTOTAL	5 Q	*155.87	Subtotal on the report
CHARGE		*38.70	
***TOTAL	5 Q	*155.87	The full total on the customer file
CHARGE		*38.70	

* When you take a Z report, "Z2" is printed instead of "X2".

Customer charge account report

X2			*
CHARGE ACCOUNT			
#0800000000075			Customer code
NAME-1			Name
ADDRESS-1			Address
CHARGE		*23.70	
#0800000000105			
NAME-7			
ADDRESS-7			
CHARGE		*15.00	
SUBTOTAL	4 Q	*149.07	
CHARGE		*38.70	
***TOTAL	5 Q	*155.87	
CHARGE		*38.70	

* When you take a Z report, "Z2" is printed instead of "X2".

X2/Z2 stacked report

You can print multiple X2/Z2 reports in sequence under a single transaction. In this case you need to program in advance which X2/Z2 reports should be printed. Refer to "Stacked report" under Section "Report Programming" in Chapter 13 "Programming."

Compulsory Cash/Check Declaration

If your POS terminal has been programmed for compulsory cash/check declaration, you must declare cash/check in drawer in advance according to the type of the declaration when you take clerk Z reports.

Use the procedure shown in “Key operation” below for this declaration.

Types of compulsory cash/check declaration

In case “Clerk only system” or “Cashier only system” is applied to your machine:

(Please kindly note to take “Clerk” report instead of “Cashier” report even when “Cashier only system” is applied to your machine.)

- Compulsive when individual clerk resetting is taken.
- Compulsive when full full clerk resetting is taken.

In case “Cashier + clerk system” is applied to your machine*

- Compulsive when individual cashier resetting is taken.
- Compulsive when full full cashier resetting is taken.

NOTE

Compulsory cash/check declaration is available in the above two types. You can choose either of these. Contact your authorized SHARP dealer for details.

Key operation

• Individual clerk/cashier Z report

OP X/Z mode

2 RESETTING → ENTER

1 IND. CLERK → ENTER

X1/Z1 mode

2 RESETTING → ENTER

6 IND. CLERK

8 IND. CASHIER → ENTER

CCD entry menu → TL

1 YES → ENTER

2 NO → ENTER

Enter the q'ty and amount of
“CA/CK” and “EXCH 1” through
“EXCH 9.” *

• Full clerk Z report

X1/Z1 mode

2 RESETTING → ENTER

5 ALL CLERK

7 ALL CASHIER → ENTER

* If you make a wrong entry, enter the wrong quantity and amount again, and press the key, and make a correct entry again.

• In case of clerk only system or cashier only system

Z1	
CCD	
CA/CK IS	*967.70
EXCH1 IS	150.00
EXCH2 IS	50.00
EXCH3 IS	18.60
EXCH4 IS	22.88
EXCH5 IS	62.14
EXCH6 IS	6.15
EXCH7 IS	16.50
EXCH8 IS	14.67
EXCH9 IS	20.48
IND. CLERK	
CLK#0001	CLERK0001
ORDER TL	*1249.89
PAID TL	*1249.89

CA/CK IS	6x	10.00
CA/CK IS		*60.00
CA/CK IS		V-10.00

Quantity X Amount
Amount voided

CCD entry amount

Clerk code/clerk name
Order total
Commission sale 1 total

CHARGE	0 Q	*0.00
EXCH1	1 Q	150.00
EXCH1 IS		150.00
CCD DIF.		0.00
DOM. CUR1		*76.69
EX1 CHK	1 Q	50.00
DOM. CUR1 CHK		*25.56
EX1 CREDIT	1 Q	71.39
DOM. CUR1 CR		*36.50
EXCH2	1 Q	50.00
EXCH2 IS		50.00
CCD DIF.		0.00
DOM. CUR2		*49.05
EXCH3	1 Q	18.60
EXCH3 IS		18.60
CCD DIF.		0.00
DOM. CUR3		*12.00
EXCH4	1 Q	22.88
EXCH4 IS		22.88
CCD DIF.		0.00
DOM. CUR4		*16.58
EXCH5	1 Q	62.14
EXCH5 IS		62.14
CCD DIF.		0.00
DOM. CUR5		*42.56
EXCH6	1 Q	6.15
EXCH6 IS		6.15
CCD DIF.		0.00
DOM. CUR6		*5.00

EXCH7	1 Q	16.50
EXCH7 IS		16.50
CCD DIF.		0.00
DOM. CUR7		*11.00
EXCH8	1 Q	14.67
EXCH8 IS		14.67
CCD DIF.		0.00
DOM. CUR8		*9.00
EXCH9	1 Q	20.48
EXCH9 IS		20.48
CCD DIF.		0.00
DOM. CUR9		*11.25
****CID		*873.70
*CH ID		*94.00
CA/CK ID		*967.70
CA/CK IS		*967.70
CCD DIF.		*0.00
DIF. TL		*0.00
CHK/CG		*0.56

Cash in drawer to be obtained
Check in drawer to be obtained
Cash/check in drawer to be obtained
Total of entered (declared) cash/check in drawer
Change total for check tendering

*When you take a full clerk report, ALL CLERK is printed here.

When you take a individual cashier report, IND.CASHIER is printed here, and when you take a all cashier report, ALL CASHIER is printed here.

9

Non-accessed EAN and Customer Deletion

X1 / Z1 MODE

X2 / Z2 MODE

You can delete EANs and customers that had not been accessed for a certain period. You can program a period in the PGM2 mode. As for customer, you can also delete customers with regardless to a non-accessed period.

Follow the procedure shown below.

Non-accessed EAN deletion

1. Move the mode key to X1/Z1 position.
2. Select "7 EAN DELETE".
3. Select "1 READING" to take a report, or "2 DELETE" to delete non-accessed EANs.
4. When you select "2 DELETE", select you want to delete all the non-accessed EANs (1 ALL DELETE) or delete the non-accessed EANs individually (2 IND.DELETE).

NOTE *It is recommended to take a report first before executing deleting operation.*

Non-accessed customer deletion

1. Move the mode key to X2/Z2 position.
2. Select "6 NO ACCESS CUSTOM".
3. Select "1 READING" to take a report, or "2 DELETE" to delete non-accessed customers.
4. When you select "2 DELETE", select you want to delete all the non-accessed customers (1 ALL DELETE) or delete the non-accessed customers individually (2 IND.DELETE).

NOTE *It is recommended to take a report first before executing deleting operation.*

Customer deletion

1. Move the mode key to X2/Z2 position.
2. Select "7 CUSTOM DELETE".
3. Specify the range (start/end customer codes) you want to delete.

■ Non-accessed EAN report

*1			
X1			
EAN DELETE			
EAN code	EAN		
	5012345678900#		
Item label	ITEM-A	0.000 Q	*0.00
	5045678912304#		
	ITEM-P	0.000 Q	*0.00
	5089123456708#		
		0.000 Q	*0.00
	5099887654302#		
	ITEM-K	0.000 Q	*0.00
	Z2	2.000 Q	*16.00
*2			

*1 When you select "DELETE", "Z1" is printed instead of "X1".

*2 When there is any sales data of the EAN for PLU/EAN report, the data is printed here.

When you delete the EAN in Z1 mode under this situation, the EAN data for PLU/EAN report is also deleted.

■ Non-accessed customer report

X2				*
NO ACCES. CUST.				
	#0800000000112			Customer code
	NAME 35			Name
	ADDRESS 35			Address
		0 Q	*0.00	
	CHARGE		*0.00	
	#08000000001232			
	NAME5			
	ADDR5			
		1 Q	*6.80	
	CHARGE		*0.00	
	SUBTOTAL	1 Q	*6.80	
	CHARGE		*0.00	
	***TOTAL	8 Q	*208.67	
	CHARGE		*38.70	

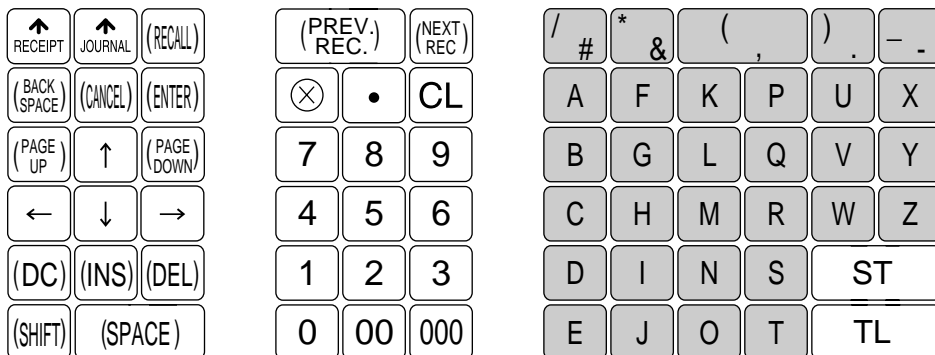
* When you select "DELETE", "Z2" is printed instead of "X2".

■ Customer delete report


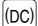



Z2		
CUSTOM DELETE		
#0008000000105-#0008000000174		Customer range
#0008000000105		Customer code
NAME-6		Name
ADDRESS-6		Address
	0 Q	*0.00
CHARGE		*0.00
#0008000000174		
NAME-100		
ADDRESS-100		
	0 Q	*0.00
CHARGE		*0.00
SUBTOTAL	0 Q	*0.00
CHARGE		*0.00
***TOTAL	5 Q	*155.87
CHARGE		*38.70

Programming Keyboard Layout

When you are in the PGM 1 or PGM 2 mode, the keyboard layout will be set to the one for programming as shown below.



 : The shaded area contains the character keys which are used for programming characters.


     : Used for programming characters. For more information about programming characters, see the section “How to Enter Alphanumeric Characters.”

    : Used to move the cursor.

 : Used to program each setting.


 : Used to finalize programming.

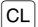
 : Used to cancel programming and to get back to the previous screen.

 : Used to go back to the previous record, e.g., from the department 2 programming window back to the department 1 programming window.



 : Used to go to the next record, for example, in order to program unit prices for sequential departments.


 : Used to scroll the window to go to the next page.

 : Used to scroll the window to go back to the previous page.

 : Used to clear the last setting you have programmed or clear the error state.

 : Used to toggle between two or more options.

 : Used to list those options which you can toggle by the  key.

 : Used to call up a desired code.

Numeric keys: Used for entering figures.

For more information about using these keys, see “Basic Instructions” section in Chapter 11 “Programming.”

How to Program Alphanumeric Characters

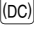
This section discusses how to program alphanumeric characters such as "DESCRIPTION," "NAME" and "TEXT."

■ Using character keys on the keyboard


Entering alphanumeric characters

To enter a character, simply press a corresponding character key on the programming keyboard sheet.
To enter a digit, simply press a corresponding numeric key.

Entering double-size characters

 : This key toggles the double-size character mode and the normal-size character mode. The default is the normal-size character mode. When the double-size character mode is selected, the letter "W" appears at the bottom of the display.


Entering upper-case letters

 : You can enter an upper-case letter by using this key. Press this key just before you enter the upper-case letter. You should press this key each time you enter an upper-case letter.

Editing text

You can edit the text you have entered by deleting and/or inserting characters.


To select a text editing mode


 : Toggles between the insert mode (" _ ") and the overwrite (" ■ ") mode.

To move the cursor


 or  : Moves the cursor.


To delete a character or figure

 : Deletes a character or figure in the cursor position.

 : Backs up the cursor for deleting the character or figure at the left of the cursor. When your POS terminal is in the insert mode, this key deletes the character or the value at the cursor position.

Text copy/paste

Copy (to the buffer) : Move the cursor to the target text line to copy, and press  key.

Paste (from the buffer) : Move the cursor to the target text line to paste, and press  key.

■ Entering character codes

Numerals, letters and symbols are programmable by entering the **00** key and character codes. Use the following procedure with the cursor placed at the position where you want to enter characters:

00 → XXX XXX : character code (3 digits)

Character code:

032 - 047	032	033	034	035	036	037	038	039	040	041	042	043	044	045	046	047
		!	"	#	\$	%	&	'	()	*	+	,	-	.	/
048 - 063	048	049	050	051	052	053	054	055	056	057	058	059	060	061	062	063
	0	1	2	3	4	5	6	7	8	9	:	;	<	=	>	?
064 - 079	064	065	066	067	068	069	070	071	072	073	074	075	076	077	078	079
	@	A	B	C	D	E	F	G	H	I	J	K	L	M	N	O
080 - 095	080	081	082	083	084	085	086	087	088	089	090	091	092	093	094	095
	P	Q	R	S	T	U	V	W	X	Y	Z	[\]	^	_
096 - 111	096	097	098	099	100	101	102	103	104	105	106	107	108	109	110	111
	`	a	b	c	d	e	f	g	h	i	j	k	l	m	n	o
112 - 127	112	113	114	115	116	117	118	119	120	121	122	123	124	125	126	127
	p	q	r	s	t	u	v	w	x	y	z	{		}	~	△
128 - 143	128	129	130	131	132	133	134	135	136	137	138	139	140	141	142	143
	Ç	ü	é	â	ä	à	ã	ç	ê	ë	è	ï	î	ì	Ä	Å
144 - 159	144	145	146	147	148	149	150	151	152	153	154	155	156	157	158	159
	É	æ	ƒ	ô	ö	ò	û	ù	ÿ	ö	ü	ø	ƒ	ø	x	f
160 - 175	160	161	162	163	164	165	166	167	168	169	170	171	172	173	174	175
	á	í	ó	ú	ñ	Ñ	º	º	¿	®	¬	½	¼	¡	«	»
176 - 191	176	177	178	179	180	181	182	183	184	185	186	187	188	189	190	191
	•••	•••	•••			Á	Â	À	©	¶	¶	¶	¶	Ç	¥	¡
192 - 207	192	193	194	195	196	197	198	199	200	201	202	203	204	205	206	207
	L	L	T		-	†	ã	Ã	¶	¶	¶	¶	¶	=	¶	ø
208 - 223	208	209	210	211	212	213	214	215	216	217	218	219	220	221	222	223
	ð	Ð	Ê	Ë	È	€	Í	Î	Ï	¡	¡	■	■	¡	ì	■
224 - 239	224	225	226	227	228	229	230	231	232	233	234	235	236	237	238	239
	Ó	ß	Ô	Ò	Õ	Ö	µ	þ	þ	Ú	Û	Ù	Ý	Ý	-	'
240 - 255	240	241	242	243	244	245	246	247	248	249	250	251	252	253	254	255
	-	±	=	¼	¶	§	÷	¡	°	¨	.	1	3	2	■	(DC)

*(DC) : Double-size character code

_ (095) : Line feed code

■ : Shaded characters can not be printed by the built-in printer (display only).

This chapter explains how to program various items.

Before you start programming, turn the mode switch to PGM1 or PGM2 depending on the item you are going to program.

Basic Instructions

This section illustrates the basic programming by using an example of programming for departments.

■ Programming screen

Opening screen: When you turn the mode key to PGM1 or PGM2, your display will show a programming opening screen corresponding to the mode you selected.

Mode you are in

Programming menu: Use the cursor keys or numeric key to select an option, and press the **ENTER** key.

Numeric entry and status information area

(In case of PGM2)

Code selecting screen (Dept. PLU/EAN, Customer):

Code title

Code number and its description
(In case of PLU/EAN and customer, two lines are used for one code, upper line - code, lower line - description.)

Use the cursor keys or numeric keys to select an option, and press the **ENTER** key. (When you select the last item, the screen goes to the selected option screen without pressing the **ENTER** key.)

Numeric entry and status information area

Programming screen:

Selected menu message

Setting items:
Use the cursor keys to select an item.
To select an option, follow the instruction shown below.

Numeric entry: Use numeric keys
Character entry: Use character keys
Selective entry: Press **.** key to toggle options and press the **ENTER** key to select it, or press the **ST** key to show the option list. Use the cursor keys to move the cursor and press the **ENTER** key to select it.

■ Programming example

The following example shows how to program 2.00 for the unit price, "ABCDE" for the description, and "taxable 2 yes" for department 1.

Procedure

PGM2	0001	↓
01	READING	
02	SETTING	
03	AUTO KEY	
04	D-EAN LOAD	
05	DATA CLEAR	
06	OPEN STORE	

ENTER ↓ ↑ CANCEL

SETTING	↓
01	ARTICLE
02	DIRECT KEY
03	FUNCTION
04	MEDIA
05	CURRENCY
06	TEXT




ENTER ↓ ↑ CANCEL

ARTICLE	↓
01	DEPT
02	PLU/EAN
03	DYNAMIC EAN
04	PLU RANGE
05	PLU STOCK
06	PLU MENU KEY



ENTER ↓ ↑ CANCEL

DEPT	↓
01	DPT. 01
02	DPT. 02
03	DPT. 03
04	DPT. 04
05	DPT. 05
06	DPT. 06

ENTER ↓ ↑ CANCEL


1. In the PGM2 MODE screen, select "2 SETTING" by using the  or  key and press the  key.
 - The SETTING screen will appear.


NOTE

- You can also select "2 SETTING" by using numeric key "2," then press the  key.
- If you return to the previous screen, press the  key.

2. Select "1 ARTICLE."
 - The ARTICLE screen will appear.

NOTE

The arrow mark in the upper-right corner of the window shows that the window contains more options than are now on the screen. To scroll the window, press the  key.

To return to the previous page, press the  key.

3. Select "1 DEPT."
 - The DEPT screen will appear, listing programmable departments.

4. Select "01" to program for department 1.
 - The "01" window will appear.

01	↓
PRICE	200
GROUP No.	01
DPT.	1
ITEM UP	NON-COMPUL.
TARE TABLE	0
SCALE	INHIBIT

(ENTER) ↓ ↑ (CANCEL)

01	↓
PRICE	2.00
GROUP No.	01
ABCDE	
ITEM UP	NON-COMPUL.
TARE TABLE	0
SCALE	INHIBIT

(PAGE DOWN) ↓ ↑ (PAGE UP)

01	↑↓
SIF/SICS	NORMAL
RECEIPT TYPE	DOUBLE
ENTRY TYP	OPEN&PRES.
TAXABLE 1	NO
TAXABLE 2	YES
TAXABLE 3	NO

5. On the first page of the "01" window, program the unit price and description as follows:

NOTE

There are three entry patterns for the programming: the numeric entry, character entry, and selective entry.

- Move the cursor to "PRICE," enter "200" by using numeric keys, then press the (ENTER) key. → **Numeric entry**
- Move the cursor to "DESCRIPTION," enter "ABCDE" by using character keys, then press the (ENTER) key. → **Character entry**

If you want to clear setting, press the (CL) key before you press the (ENTER) key.

6. Press the (PAGE DOWN) key to go to the next page of the "01" window, then program the machine to set "taxable 2" as follows:

- Move the cursor to "TAXABLE 2," press the (◻) key to select "YES," then press the (ENTER) key. → **Selective entry**

NOTE

The (◻) key toggles between two options as follows:
NO → YES → NO →

Pressing the (ST) key displays all pertinent options.

7. Select one of the following actions:

- To cancel the programming, press the (CANCEL) key. Select "1 YES" in the "ARE YOU SURE ?" window.
- To finalize the programming, press the (TL) key, then press the (CANCEL) key. You will return to the "DEPT" window.
- To program for the following department, press the (NEXT RECORD) key. The "02" window will appear. To return to the "01" window, press the (PREV RECORD) key.

The following sections describe how to program each item which is contained in a programming group.

Article Programming

Use the following procedure to select any option included in the article programming group:

Procedure

SETTING ↓
01 ARTICLE
 02 DIRECT KEY
 03 FUNCTION
 04 MEDIA
 05 CURRENCY
 06 TEXT



ARTICLE ↓
01 DEPT
 02 PLU/EAN
 03 DYNAMIC EAN
 04 PLU RANGE
 05 PLU STOCK
 06 PLU MENU KEY



ARTICLE ↑↓
07 COMBO MEAL
 08 LINK PLU TABLE
 09 CONDIMENT TBL.
 10 PROMOTION TBL.
 11 SCALE TABLE
 12 EAN NON-PLU

The screen continues.

- 1 From the SETTING menu, select “1 ARTICLE.”
 - The ARTICLE window will appear.

2. Select any option from the following options list:

1 DEPT:	Departments
2 PLU/EAN:	PLUs/EANs
3 DYNAMIC EAN:	Dynamic EANs
4 PLU RANGE:	A range of PLUs
5 PLU STOCK:	PLU/EAN stock quantity
6 PLU MENU KEY:	PLU menu key
7 COMBO MEAL:	Combo meal
8 LINK PLU TABLE:	Link PLU table
9 CONDIMENT TBL.:	Condiment table
10 PROMOTION TBL.:	Promotion table
11 SCALE TABLE:	Scale table
12 EAN NON-PLU:	EAN Non-PLU type code format
13 PRESS CODE:	EAN press code format
14 EAN DELETE:	EAN record delete period

The following illustration shows those options included in the article programming group.

1 ARTICLE	— 1 DEPT	➡ See “Department” on page 115.
	— 2 PLU/EAN	➡ See “PLU/EAN” on page 117.
	— 3 DYNAMIC EAN	➡ See “Dynamic EAN” on page 119.
	— 4 PLU RANGE	➡ See “PLU range” on page 120.
	— 5 PLU STOCK	➡ See “PLU/EAN stock” on page 120.
	— 6 PLU MENU KEY	➡ See “PLU menu key” on page 121.
	— 7 COMBO MEAL	➡ See “Combo meal” on page 122.
	— 8 LINK PLU TABLE	➡ See “Link PLU table” on page 122.
	— 9 CONDIMENT TBL.	➡ See “PLU condiment table” on page 123.
	— 10 PROMOTION TBL.	➡ See “Promotion table” on page 124.
	— 11 SCALE TABLE	➡ See “Scale table” on page 125.
	— 12 EAN NON-PLU	➡ See “EAN Non-PLU code format” on page 126.
	— 13 PRESS CODE	➡ See “Press code” on page 127.
	— 14 EAN DELETE	➡ See “EAN delete” on page 127.

■ Department

Your POS terminal is equipped with 20 standard departments, and can be equipped with a maximum of 99 departments.

Use the following procedure to program for departments.

Procedure

Select a pertinent dept. code from the departments list.



01	↓
PRICE	0.00
GROUP No.	01
DPT.	01
ITEM VP	NON-COMPUL.
TARE TABLE	0
SCALE	INHIBIT

The screen continues.

Program each item as follows:

NOTE

For more information about the entry patterns, see the “Basic Instructions” section.

• PRICE (Use the numeric entry)

Unit price (max. 6 digits)

• GROUP No. (Use the numeric entry)

- 01-09: Plus department
- 10: Minus department
- 11: Plus hash department
- 12: Minus hash department
- 13: Plus bottle return department
- 14: Minus bottle return department
- 15-17: Non-turnover 1-3

- If the “Hash”, “Bottle return” and “Non-turnover” functions are disabled, you are not allowed to select any hash, bottle return or non-turnover department.

• DPT. 01 <Default for dept. 1> (Use the character entry)

Description for a department. Up to 12 or 16 characters can be entered.

• ITEM VP (Use the selective entry)

COMPUL.: Makes item validation printing compulsory.

NON-COMPUL.: Makes item validation printing non-compulsory.

• TARE TABLE (Use the numeric entry)

Scale table number associated with scale entry (1 through 9)

• SCALE (Use the selective entry)

COMPUL.: Makes a scale entry compulsory.

ENABLE: Enables a scale entry.

INHIBIT: Inhibits a scale entry.

• SIF/SICS (Use the selective entry)

Department type selection

SIF: SIF department

SICS: SICS department

NORMAL: Department other than SIF or SICS department

• RECEIPT TYPE (Use the selective entry)

Receipt type selection (When the receipt type is “single/double” or “single/double + addition.”)

DOUBLE: Double receipt type

SINGLE: Single receipt type

• ENTRY TYPE (Use the selective entry)

Type of unit price entry for departments

OPEN & PRES.: Open & preset

PRESET: Preset only

OPEN: Open only

INHIBIT: Inhibited

■ Department (continued)

• TAXABLE 1 through 6 (Use the selective entry)

Tax status

YES: Taxable

NO : Non-taxable

NOTE

- *The tax system of your POS terminal has been factory-set to automatic VAT1 - 6. If you desire to select any of automatic tax 1 - 6, manual VAT1 - 6, manual VAT1, manual tax 1 - 6, and the combination of the automatic VAT 1 - 3 and the automatic tax 4 - 6, contact your authorized SHARP dealer.*
- *When the combination of the automatic VAT1 - 3 and automatic tax 4 - 6 system is selected, one of the taxable 1 - 3 can be selected in combination with taxable 4 - 6.*

• HALO (Use the numeric entry)

- You can set an upper limit amount (HALO) for each department. The limit is effective for the REG-mode operations and can be overridden in the MGR mode.

- AB is the same as $A \times 10^B$

A: Significant digit for HALO (1 through 9)

B: Number of zeros to follow the significant digit for HALO (0 through 8)

• COMMIS. No. (Use the numeric entry)

Commission group number (1 through 9)

If the number "0" is entered, no commission group number will be assigned to a department.

You can assign each department to a commission group.

• OUTPUT KP No. 1 and No. 2 (Use the numeric entry)

ID number of the network remote printer 1 or 2 (1 through 9)

If the number "0" is entered, no remote printer will operate.

• RECEIPT PRINT (Use the selective entry)

YES: Prints the department sales information on the receipt.

NO: Prints nothing on the receipt.

• PRNT ON CLK (Use the selective entry)

YES: Prints the department sales information on the clerk report.

NO: Prints nothing on the clerk report.

• VMP No. (Use the numeric entry)

VMP file number for EAN (1 through 3).

If the number "0" is entered, no VMP file number is assigned.

■ PLU/EAN

NOTE

- In this manual, the word “EAN” represents EAN (European Article Number) and UPC (Universal Product Code).
- With regard to the EAN codes applicable to this POS terminal, please refer to the chapter 12.

Procedure

Select a pertinent PLU code, or directly enter a PLU code or EAN code.



00001	↓
DEPT. CODE	01
SIGN	+
PRICE 1	0.00
1# PL00001	
ENTRY TYPE	PRESET
BASE QTY	0

The screen continues.

Program each item as follows:

• DEPT. CODE (Use the numeric entry)

Department code to be associated with the entered PLU/EAN (01 through 99)

When a PLU/EAN is associated with a department, the following functions of the PLU/EAN depend on the programming for the department.

- Grouping (group 1 through 17)
- Item validation print compulsory/non-compulsory
- Single item cash sale/Single item finalize
- Single receipt/double receipt
- HALO (only for subdepartments)

• SIGN (Use the selective entry)

+: Plus PLU/EAN

-: Minus PLU/EAN

The function of every PLU/EAN varies according to the combination of its sign and the sign of its associated department as follows:

Department: + } Serves as a normal plus PLU/EAN.
 PLU/EAN: + }

Department: - } Serves as a normal minus PLU/EAN.
 PLU/EAN: - }

Department: + } Accepts store coupon entries, but not split-pricing entries.
 PLU/EAN: - }

Department: - } Not valid; not accepted
 PLU/EAN: + }

• PRICE 1 through 3 (Use the numeric entry)

Unit price of each price level (max. 6 digits).

By default, only a price for PRICE 1 can be entered.

• 1# through 3# (Use the character entry)

Description for a PLU/EAN (for each price level). Up to 12 or 16 characters can be entered.

• ENTRY TYPE (Use the selective entry)

Mode parameter

OPEN: Open price only

INHIBIT: Inhibited

OPEN&PRES.: Open price and preset price

PRESET: Preset price only

NOTE

For EAN, it is fixed to “PRESET”.

• BASE QTY (Use the numeric entry)

Base quantity for each PLU/EAN that should be applied only to split-pricing entries (max. 2 digits: 0 to 99)

■ PLU/EAN (continued)

- **MIN. STOCK (Use the numeric entry)**
Minimum stock quantity for a PLU/EAN (max. 7 digits)
- **PRICE SHIFT (Use the selective entry)**
COMPUL.: Makes PLU/EAN price level shift compulsory.
INHIBIT: Inhibits PLU/EAN price level shift.
ALLOWED: Allows PLU/EAN price level shift.
- **MENU TYPE (Use the selective entry)**
PLU/EAN menu type selection
COMBO: Combo PLU/EAN
LINK: Link PLU/EAN
NORMAL: Normal PLU/EAN
- **COMBO#/LINK# (Use the numeric entry)**
Table number for combo PLU/EANs/link PLUs (1 through 99)
- **PROMOTION TBL# (Use the numeric entry)**
Table number for promotion (1 through 99)
- **CONDIMENT TBL# (Use the numeric entry)**
Table number for condiment entry (1 through 99)

NOTE For EAN, it is fixed to "00".

- **CONDIMENT TYPE (Use the selective entry)**
YES: Condiment type
NO: Non-condiment type

NOTE For EAN, it is fixed to "NO".

- **CONDIMENT ENTRY (Use the selective entry)**
COMPUL.: Makes a condiment entry compulsory.
NON-COMPUL.: Makes a condiment entry non-compulsory.

NOTE For EAN, it is fixed to "NON-COMPUL.".

- **TARE TABLE No. (Use the numeric entry)**
Scale table number associated with scale entry (1 through 9)
- **SCALE (Use the selective entry)**
COMPUL.: Makes a scale entry compulsory.
ENABLE: Enables a scale entry.
INHIBIT: Inhibits a scale entry.
- **TAXABLE 1 through 6 (Use the selective entry)**
YES: Makes the PLU/EAN taxable.
NO: Makes the PLU/EAN non-taxable.

NOTE

- *The tax system of your POS terminal has been factory-set to automatic VAT1 - 6. If you desire to select any of automatic tax 1 - 6, manual VAT1 - 6, manual VAT1, manual tax 1 - 6, and the combination of the automatic VAT1 - 3 and the automatic tax 4 - 6, contact your authorized SHARP dealer.*
- *When the combination of the automatic VAT1 - 3 and automatic tax 4 - 6 system is selected, one of the taxable 1 - 3 can be selected in combination with taxable 4 - 6.*
- *A PLU/EAN not programmed for any of these tax status is registered depending on the tax status of the department which the PLU/EAN belongs to.*

■ PLU/EAN (continued)

- **GROUP (Use the numeric entry)**

PLU group number (00 through 99)

- **COMMIS. No. (Use the numeric entry)**

You can assign a PLU/EAN to a commission group (1 through 3).

If the number "0" is entered, no commission group number will be assigned to a PLU/EAN.

- **OUTPUT KP No.1 and No.2 (Use the numeric entry)**

ID number of the network remote printer 1 or 2 (1 through 9)

If the number "0" is entered, no remote printer will operate.

- **RECEIPT PRINT (Use the selective entry)**

YES: Prints the PLU/EAN sales information on the receipt.

NO: Prints nothing on the receipt.

- **PINT PRICE1 through 3 (Use the numeric entry)**

Pint price of each price level (max. 6 digits)

- **PINT BASE QTY (Use the numeric entry)**

Base quantity for each PLU/subdepartment/EAN that should be applied only to half/double pint entries (max. 2 digits: 0.0 to 9.9)

- **PRNT ON CLK (Use the selective entry)**

YES: Printing on the clerk report.

NO: No printing

- **NON-ACCESS (Use the selective entry)**

NON DEL.: Not delete non-accessed EANs by Z1 report.

DEL. BY Z: Delete non-accessed EANs by Z1 report.

NOTE For PLU, it is fixed to "NON DEL."

■ Dynamic EAN

NOTE With regard to the EAN codes applicable to this POS terminal and EAN files, please refer to the chapter 12.

After you select "3 DYNAMIC EAN" on the "ARTICLE" menu, enter an EAN code or select a pertinent EAN code. The same setting items excepting MIN. STOCK as the "PLU/EAN" described in the previous section will appear. Please refer to "PLU/EAN" section for entering values or selecting options. The data will be saved in the Dynamic EAN file.

■ PLU range

You can make a recipe table which contains up to ten ingredients.

Procedure

PLU RANGE	
START	00000
END	00000
OPERATION NEW&MAINTEN	



00001-00020	
DEPT. CODE	01
SIGN	
PRICE 1	
1#	
ENTRY TYPE	
BASE QTY	

The screen continues in the same format as those screens shown in section "PLU/EAN".

Enter a value or select an option for each item as follows:

- **START (Use the numeric entry)**
Starting PLU code (max. 5 digits)
- **END (Use the numeric entry)**
Ending PLU code (max. 5 digits)
- **OPERATION (Use the selective entry)**
 - MAINTEN.: Enables you to change the setting you have programmed.
 - NEW&MAINTEN.: Enables you to change the current setting when the specified codes have already been created or to create new codes when the specified codes have not been created yet.
 - DELETE: Enables you to delete a specified range of PLUs.

■ PLU/EAN stock

You can assign a stock quantity to each PLU/EAN code. Shown below is an example of selecting "1 OVER WRITE."

Procedure

PLU STOCK	
1 OVER WRITE	
2 ADD	
3 SUB	



Select a pertinent PLU code, or directly enter a PLU code or EAN code.



00001	
CURRENT ST	0.000
NEW STOCK	0.000

After selecting "1 OVER WRITE," select a pertinent PLU/EAN code. Then the next screen will appear to show the following items:

- **CURRENT ST**
The current stock is displayed.
- **NEW STOCK (Use the numeric entry)**
Enter a new stock quantity (max. 7 digits: 1 to 9999.999(9999999))

NOTE

- *If you need to add or subtract a stock quantity to or from the current stock quantity, select "2 ADD" or "3 SUB" and enter a value to be added or subtracted.*
- *You cannot enter any values for the item marked with "!".*
- *The entry of a new stock value will update to the PLU/EAN stock counter.*

■ PLU menu key

When you enter PLUs, using the PLU menu key makes it easy to find categorized PLU items from the menu list.

Your POS terminal allows you to program a max. of 25 PLU menu keys. You can program a max. of 15 PLUs/sub-menus for each PLU menu key.


Procedure

```

ARTICLE ↓
01 DEPT
02 PLU/EAN
03 DYNAMIC EAN
04 PLU RANGE
05 PLU STOCK
06 PLU MENU KEY
    
```

```

PLU MENU KEY
---NOTHING---
    
```

Selected PLU menu key no. → 

```

01
TXT
    
```

```

01 ↓
01 INHIBIT
02 INHIBIT
03 INHIBIT
04 INHIBIT
05 INHIBIT
06 INHIBIT
    
```

```

01
TYPE PLU
    
```

```

01
PLU 00000
    
```

Use the following procedure to program a PLU menu key:



In the ARTICLE window, select "6 PLU MENU KEY" and program each item as follows:

- **PLU MENU KEY (Use the numeric entry)**
 PLU menu key number (1 thru 25)
 1 thru 25 : For the direct PLU menu key.
- **TXT (Use the character entry)**
 Description for the PLU menu key.
 Up to 16 characters can be entered.
- **TYPE (Use the selective entry)**
 PLU: Selects to program a PLU.
 MENU: Selects to program a sub-menu.
- **PLU or MENU (Use the numeric entry)**
 Select a menu PLU or sub-menu from the list.

NOTE

When selecting a sub-menu, the screen on which a sub-menu number is to be entered (the message "MENU") will appear.

NOTE


- PLU code should be defined before programming a PLU menu key.
- If the  key is pressed on the menu key number selection menu, the menu list will be canceled.
- If the  key is pressed on the menu PLU code selection menu, the menu in the cursor position will be deleted.

■ Combo meal

When you want to make some deduction for set sellings, combo meal should be specified, a PLU or EAN (combo PLU or EAN) can have a maximum of 10 PLUs subsidiarily.

Procedure

COMBO MEAL
---NOTHING---

Selected
combo
meal no. → 


01	↓
COMBO PLU#1	00000
PRICE	0.00
COMBO PLU#2	00000
PRICE	0.00
COMBO PLU#3	00000
PRICE	0.00

The screen continues.

Program each item as follows:

- **COMBO MEAL (Use the numeric entry)**
Combo meal number (1 through 99)
- **COMBO PLU#XX**
Enter tied PLU codes (max. 10 PLUs).
- **PRICE (Use the numeric entry)**
Enter the unit price of each combo menu. (max. 6 digits)

NOTE

- *PLU codes should be defined before programming a combo meal.*
- *If the  key is pressed on the meal number selection menu, the combo meal table in the cursor position will be deleted.*

■ Link PLU table (for PLU/EAN link)

It is possible to link PLUs (linked PLUs) with a PLU or EAN (link PLU/EAN) so that with a single key depression of the link PLU or EAN key. However, the number of linked PLUs is a maximum of ten.

Procedure

LINK PLU TABLE
---NOTHING---

Selected
link PLU
table no. → 


01	↓
LINK PLU #1	00000
LINK PLU #2	00000
LINK PLU #3	00000
LINK PLU #4	00000
LINK PLU #5	00000
LINK PLU #6	00000

The screen continues.

Program each item as follows:

- **LINK PLU TABLE (Use the numeric entry)**
Link PLU table number (1 through 99)
- **LINK PLU #X**
Enter linked PLU codes (max. 10 PLUs).

NOTE

- *PLU codes should be defined before programming a link PLU table.*
- *If the  key is pressed on the table number selection menu, the selected table will be deleted.*

■ PLU condiment table

The “condiment entry” is intended to guide the operator in making menu entries which require special cooking instructions. For example, a clerk can make such entries as “garnishing potato,” “with salad,” and “grilling steak rare.” When a clerk enters a menu-item PLU to which PLUs for the condiment entry have been assigned, these orders (such as “garnishing potato”) will be printed on the receipt and conveyed to the kitchen.

Before you program for the condiment entry, prepare a condiment table. The following shows an example of a condiment table:

Condiment table

Table number	PLU codes for condiment entry (programmed text)					
01	Message text (HOWCOOK?)	23 (RARE)	25 (MED.RARE)	27 (WELLDONE)	02
02	Message text (WITH?)	44 (SALAD)	45 (FRUITS)		
.....
04	Message text (POTATO?)	33 (P.CHIPS)	37 (MASHED.P)	38 (BAKED.P)	99	
99	Message text (DRINK?)	63 (TEA)	65 (MILK)	67 (A.JUICE)	/	

PLUs (Up to 15 for a table)
Next condiment table number

Condiment tables (Up to 99)

The condiment table should contain the following:

Condiment table: The condiment table is a group of condiment PLUs, which is assigned to each menu-item PLU. A table consists of a message text and up to 15 PLUs. Also, you can assign the next condiment table number to a condiment table to link them.

The message text is used for displaying a prompting message. The PLU is used for the special order setting. For example, when a clerk enters a menu-item PLU, a display message programmed for the message text such as “HOWCOOK?.” will appear. Then specify one of the PLU programmed for text such as “RARE.”

Table number: The table number is intended to identify each condiment table.

NOTE

*The condiment PLU programmed in a condiment table can be linked with condiment table (**Item link method**).*

For example, if PLU 44 (SALAD) in a table of the above is linked with condiment table 10 (SAUCE), when the condiment PLU 44 (SALAD) is registered, items of the condiment table 10 (SAUCE) will be appeared.

Table number	PLU codes for condiment entry (programmed text)				
10	Message text (SAUCE)	51 (ITALIAN)	53 (FRENCH)	12

Next condiment table number

Procedure

CONDIMENT TBL.
---NOTHING---

Selected
condiment table
number →

01	↓
TEXT	
NEXT LINK TBL#	00
PLU#01	00000
PLU#02	00000
PLU#03	00000
PLU#04	00000

The screen continues.

Program each item as follows:

- **CONDIMENT TBL. (Use the numeric entry)**
Condiment table number (1 through 99)
- **TEXT (Use the character entry)**
Description for a condiment menu.
Up to 16 characters can be entered.
- **NEXT LINK TBL# (Use the numeric entry)**
Enter the next condiment table number (max. 2 digits).
- **PLU#01 through #15**
Enter condiment PLU codes (max. 15 PLUs).

NOTE

- The description is used as the display prompt.
- PLU codes should be defined before programming a condiment table.
- If the key is pressed on the table number selection menu, the table in the cursor position will be deleted.

■ Promotion table (normal selling)

There are two types of promotion tables: a normal selling type and a set selling type. If you want to change the type, please contact your authorized SHARP dealer.

Procedure

PROMOTION TBL.
---NOTHING---

Selected
promotion
table number →

01	↓
TEXT	
DISCOUNT AMT	0.00
TRIP LEVEL	0
PLU#1	00000
PLU#2	00000
PLU#3	00000

The screen continues.

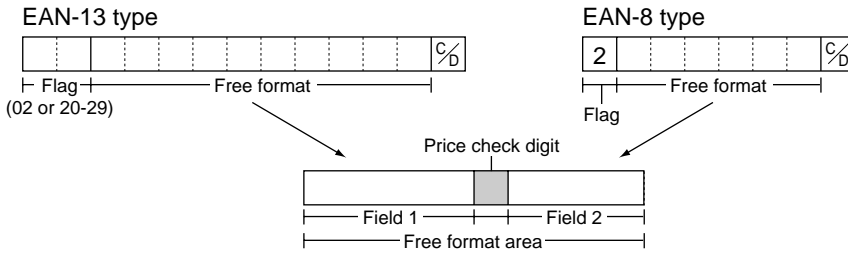
Program each item as follows:

- **PROMOTION TABLE (Use the numeric entry)**
Promotion table number (1 through 99)
- **TEXT (Use the character entry)**
Description for each promotion table (max. 12 characters)
- **DISCOUNT AMT (Use the numeric entry)**
Discount amount for each promotion table (max. 6 digits)
- **TRIP LEVEL (Use the numeric entry)**
Trip level for discount (satisfying count of entered item)
- **PLU#1 through #5 (Use the numeric entry)**
Enter promotion PLU/EAN codes.

NOTE

- PLU codes should be defined before programming a promotion table.
Also for EAN codes, only EAN having a preset price can be programmed.
- If the key is pressed on the table number selection menu, the table in the cursor position will be deleted.

■ EAN Non-PLU code format



Procedure

Select an arbitrary number, or a pertinent EAN TYPE OF CODE & SYSTEM CODE you set.



03		
TYPE OF CODE	EAN13	
SYSTEM CODE	00	
LENGTH FLD#1	0	
LENGTH FLD#2	0	
FIELD#1 DATA	FREE	
FIELD#2 DATA	PRICE	

The screen continues.

Program each item as follows:

- **TYPE OF CODE (Use the selective entry)**

EAN-8: EAN-8 format code (consisting of 8 digits)
 EAN-13 (UPC-A): EAN-13 format code (consisting of 13 digits)

- **SYSTEM CODE (Use the numeric entry)**

System code (i.e. flag code): EAN-8: 1 digit, EAN-13: 2 digits

NOTE

ISBN/ISSN and press code are always used the fixed format even if code, 37, 43, 78, 98, or 97 is entered.

- **LENGTH FLD#1 (Use the numeric entry)**

Length of field 1 (number of digits): 0 to 9

- **LENGTH FLD#2 (Use the numeric entry)**

Length of field 2 (number of digits): 0 to 9

- **FIELD#1 DATA**

Meaning of field 1: It is fixed to FREE.

- **FIELD#2 DATA (Use the selective entry)**

Meaning of field 2
 QUANTITY: Quantity
 PRICE: Price

- **PRICE C/D (Use the selective entry)**

Price check digit
 YES: Use the price check digit
 NO: Not use the price check digit

- **TAB (Use the selective entry)**

TAB or decimal point of field: 3/2/1/0

■ Press code (for EAN)

Your POS terminal allows to program the press code format.

Procedure

PRESS CODE	
1	GERMAN TYPE1
2	U.K.
3	FRENCH
4	SWEDEN
5	GERMAN TYPE2



1	
TYPE OF CODE	NORMAL
PRICE	ENCODED
LABEL TYPE	ARTICLE

Program each item as follows:

• TABLE NUMBER (1 to 5) (Use the selective entry)

- 1: GERMAN TYPE1 (prefix code: 434/439)
- 2: U.K. (prefix code: 988/989)
- 3: FRANCE (prefix code: 378/379)
- 4: SWEDEN (prefix code: 7388)
- 5: GERMAN TYPE2 (prefix code: 414/419)

• TYPE OF CODE (Use the selective entry)

- NORMAL: Normal EAN
- PRESS: Press code

• PRICE (Use the selective entry)

- Price entry method for press code (This setting is valid only when PRESS CODE is set for TYPE OF CODE.
- PRESET: Using the EAN preset price
- ENCODED: Using the encoded price
- COMPUL.: Compulsory entry

• LABEL TYPE (Use the selective entry)

- Label of record in EAN file (This setting is valid only when PRESS CODE is set for TYPE OF CODE.
- ARTICLE: Prefix + article code
Select this option when you want to summarize the sales of items having press codes by each item.
- PREFIX: Prefix only
Select this option when you want to summarize the sales of items having press codes by category.

■ EAN delete

You can delete the EAN codes which have not been accessed during the period you set in this program when you execute the delete job in EAN DELETE in X1 mode.

Procedure

EAN DELETE	
PERIOD (DAY)	99

Program each item as follows:

• PERIOD (DAY) (Use the numeric entry)

- Enter the EAN record delete period: 01 to 99 (00: Not delete by the non-accessed deleting job)

Functional Programming

Use the following procedure to select any option included in the functional programming group:

Procedure

```

SETTING
01 ARTICLE
02 DIRECT KEY
03 FUNCTION
04 MEDIA
05 CURRENCY
06 TEXT
    
```



```

FUNCTION
1 (-)
2 %
3 COMMISSION
4 SERVICE CHARGE
5 TIP
6 DEPOSIT
    
```

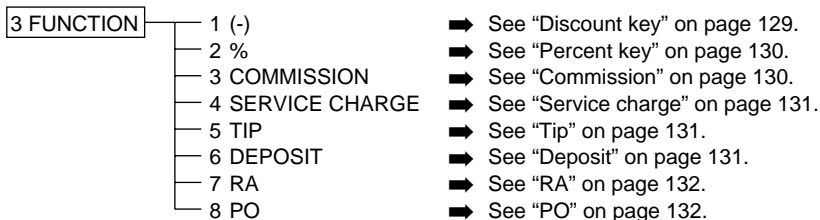
The screen continues.

- From the SETTING menu, select "3 FUNCTION."
 - The FUNCTION menu will appear.

- Select any option from the following options list:

1 (-):	Discount key
2 %:	Percent key
3 COMMISSION:	Commission
4 SERVICE CHARGE:	Service charge
5 TIP:	Tip
6 DEPOSIT:	Deposit
7 RA:	Received on account
8 PO:	Paid out

The following illustration shows those options included in the functional programming group.



Discount key (⓪1 through ⓪5)

Procedure

Select a pertinent discount key from the discount keys list.



```

(-) 1
AMOUNT          -0.00
TEXT            (-) 1
SIGN            -
HALO            18
ENTRY TYPE     SBTL
    
```

Program each item as follows:

• AMOUNT (Use the numeric entry)

Discount amount (max. 6 digits)

• TEXT (Use the character entry)

Description for the discount key. Up to 12 characters can be entered.

• SIGN (Use the selective entry)

Programming of the + or - sign assigns the premium or discount function to each discount key.

-: Minus amount (discount)

+: Plus amount (premium)

• HALO (High Amount Lockout) (Use the numeric entry)

A: Significant digit for HALO (1 through 9)

B: Number of zeros to follow the significant digit for HALO (0 through 8)

AB is the same as $A \times 10^B$.

■ Discount key (⊖1 through ⊖5) (continued)

• ENTRY TYPE (Use the selective entry)

RA: Received on account (-)
 ITEM: Item (-)
 SBTL: Subtotal (-)

NOTE You can also select a discount key by pressing the corresponding key.

■ Percent key (%1 through %5)

Procedure

Select a pertinent percent key from the percent keys list.



1	
RATE	-0.00%
TEXT	% 1
SIGN	-
HALO	100.00%
ENTRY TYPE	SBTL

Program each item as follows:

- **RATE (Use the numeric entry)**
Percent rate (0.00 to 100.00)
- **TEXT (Use the character entry)**
Description for the percent key. Up to 12 characters can be entered.
- **SIGN (Use the selective entry)**
Programming of the + or - sign assigns the premium or discount function to each percent key.
-: Minus (discount)
+: Plus (premium)
- **HALO (High Amount Lockout) (Use the numeric entry)**
HALO (High Amount Lockout) for the percent key (0.00 to 100.00)
- **ENTRY TYPE (Use the selective entry)**
RA: Received on account %
ITEM: Item %
SBTL: Subtotal %

NOTE You can also select a percent key by pressing the corresponding key.

■ Commission

Procedure

Select a pertinent commission no. from the commission list.



COM.SAL1	
RATE	0.000%
TEXT	COM.SAL1

Program each item as follows:

- **RATE (Use the numeric entry)**
Percent rate (0.000 to 99.999)
- **TEXT (Use the character entry)**
Description for the commission. Up to 12 characters can be entered.

■ Service charge

Procedure

SERVICE CHARGE	
RATE	0.00%
TEXT	SER. CHRG

Program each item as follows:

- **RATE (Use the numeric entry)**
Percent rate (0.00 to 100.00)
- **TEXT (Use the character entry)**
Description for the service charge. Up to 12 characters can be entered.

■ Tip

Procedure

Select a pertinent tip key from the tip keys list.



CASH TIP	
HALO	18
TEXT	CASH TIP

Program each item as follows:

- **HALO (High Amount Lockout) (Use the numeric entry)**
A: Significant digit for HALO (1 through 9)
B: Number of zeros to follow the significant digit for HALO (0 through 8)
AB is the same as $A \times 10^B$.
- **TEXT (Use the character entry)**
Description for the tip. Up to 12 characters can be entered.

NOTE

You can also select a tip key by pressing the corresponding key when it has been placed directly on the keyboard instead of selecting the key from the menu.

■ Deposit

Procedure

Select a pertinent deposit key from the deposit keys list.



DEPOSIT	
HALO	18
TEXT	DEPOSIT

Program each item as follows:

- **HALO (High Amount Lockout) (Use the numeric entry)**
A: Significant digit for HALO (1 through 9)
B: Number of zeros to follow the significant digit for HALO (0 through 8)
AB is the same as $A \times 10^B$.
- **TEXT (Use the character entry)**
Description for the deposit. Up to 12 characters can be entered.

NOTE

You can also select a deposit key by pressing the corresponding key directly when it has been placed directly on the keyboard instead of selecting the key from the menu.

■ RA

You can program an upper limit amount and description for each received-on-account key.

Procedure

Select a pertinent received-on-account key from the RA keys list.

```
***RA
HALO 18
TEXT  ***RA
```

Program each item as follows:

• HALO (High Amount Lockout) (Use the numeric entry)

A: Significant digit for HALO (1 through 9)

B: Number of zeros to follow the significant digit for HALO (0 through 8)

AB is the same as $A \times 10^B$.

• TEXT (Use the character entry)

Description for the received-on-account key. Up to 12 characters can be entered.

NOTE

You can also select an RA key by pressing the corresponding key when it has been placed directly on the keyboard instead of selecting the key from the menu.

■ PO

You can program an upper limit amount and description for each paid-out key.

Procedure

Select a pertinent paid-out key from the PO keys list.

```
***PO
HALO 18
TEXT  ***PO
```

Program each item as follows:

• HALO (High Amount Lockout) (Use the numeric entry)

A: Significant digit for HALO (1 through 9)

B: Number of zeros to follow the significant digit for HALO (0 through 8)

AB is the same as $A \times 10^B$.

• TEXT (Use the character entry)

Description for the paid-out key. Up to 12 characters can be entered.

NOTE

You can also select a PO key by pressing the corresponding key when it has been placed directly on the keyboard instead of selecting the key from the menu.

Media Key Programming

Use the following procedure to select any option included in the media group:

Procedure

```

SETTING  ↓
01 ARTICLE
02 DIRECT KEY
03 FUNCTION
04 MEDIA
05 CURRENCY
06 TEXT
    
```



```

MEDIA  ↓
1 CASH
2 CHECK
3 CREDIT
4 CHARGE
5 CID
6 CH/CG
    
```

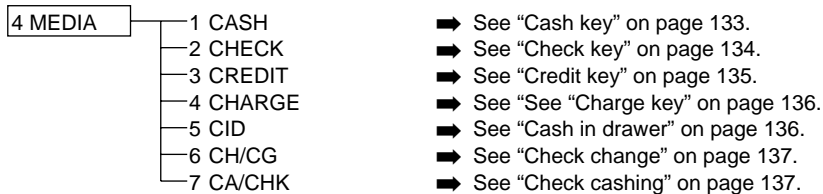
The screen continues.

- From the SETTING menu, select "4 MEDIA."
 - The MEDIA menu will appear.

- Select any option from the following options list:

1 CASH:	Cash key
2 CHECK:	Check key
3 CREDIT:	Credit key
4 CHARGE:	Charge key
5 CID:	Cash in drawer
6 CH/CG:	Check change
7 CA/CHK:	Check cashing

The following illustration shows those options included in the media key programming group.



■ Cash key

Procedure

Select a pertinent cash key from the cash keys list.



```

CASH  ↓
TEXT  CASH
HALO  18
BILL PR. NON-COMPUL.
FOOTER PR. NO
NON-ADD# NON-COMPUL.
UP    NON-COMPUL.
    
```

The screen continues.

Program each item as follows:

- TEXT (Use the character entry)**
Description for the cash key. Up to 12 characters can be entered.
- HALO (High Amount Lockout) (Use the numeric entry)**
AB is the same as $A \times 10^B$.
A: Significant digit (1 through 9)
B: Number of zeros to follow the significant digit (0 through 8)
You can set AB at 18 for no limitation.
- BILL PR. (Use the selective entry)**
COMPUL.: Makes bill printing compulsory.
NON-COMPUL.: Makes bill printing non-compulsory.
- FOOTER PRINT (Use the selective entry)**
This item decides whether or not your POS terminal should print a message at the foot of a receipt when a specified cash key is used.
YES: Enables footer printing on the receipt.
NO: Disables footer printing on the receipt.

■ Cash key (continued)

• NON-ADD # (Use the selective entry)

You can enforce the non-add code entry when a cash entry is accepted.

COMPUL.: Compulsory non-add code entry

NON-COMPUL.: Non-compulsory non-add code entry

• VP (Use the selective entry)

COMPUL.: Compulsory validation printing

NON-COMPUL.: Non-compulsory validation printing

• DRAWER OPEN (Use the selective entry)

You can program each cash key to open the drawer.

YES: Opens the drawer.

NO: Disables the drawer opening.

• AMT ENTRY (Use the selective entry)

You may select compulsory or non-compulsory amount tender.

COMPUL.: Compulsory amount tendered entry

NON-COMPUL.: Non-compulsory amount tendered entry

NOTE

You can also select a cash key by pressing the corresponding key when it has been placed directly on the keyboard instead of selecting the key from the menu.

■ Check key (CH1 through CH5)

Procedure

Select a pertinent check key from the check keys list.



CHECK	↓
TEXT	CHECK
HALO	18
EFT	NON-COMPUL.
BILL PR.	NON-COMPUL.
FOOTER PR.	NO
NON-ADD#	NON-COMPUL.

The screen continues.

Program each item as follows:

• TEXT (Use the character entry)

Description for the check key. Up to 12 characters can be entered.

• HALO (High Amount Lockout) (Use the numeric entry)

AB is the same as $A \times 10^B$.

A: Significant digit (1 through 9)

B: Number of zeros to follow the significant digit (0 through 8)

You can set AB at 18 for no limitation.

• EFT (Use the selective entry)

COMPUL.: Makes EFT function compulsory.

NON-COMPUL.: Makes EFT function non-compulsory.

• BILL PR. (Use the selective entry)

COMPUL.: Compulsory bill printing

NON-COMPUL.: Non-compulsory bill printing

• FOOTER PR. (Use the selective entry)

YES: Enables footer printing on the receipt.

NO: Disables footer printing on the receipt.

• NON-ADD# (Use the selective entry)

COMPUL.: Compulsory non-add code entry

NON-COMPUL.: Non-compulsory non-add code entry

• CHANGE DUE (Use the selective entry)

Either change enable or disable can be selected for each check key.

DISABLE: Disables change calculation.

ENABLE: Enables change calculation.

• VP (Use the selective entry)

COMPUL.: Compulsory validation printing

NON-COMPUL.: Non-compulsory validation printing

■ Check key (continued)

- **DRAWER OPEN (Use the selective entry)**

YES: Opens the drawer.

NO: Disables the drawer opening.

- **AMOUNT (Use the selective entry)**

COMPUL.: Compulsory amount tendered entry

NON-COMPUL.: Non-compulsory amount tendered entry

- **DESCRIPTOR (Use the character entry)**

Currency descriptor. Up to 4 characters can be entered.

NOTE

You can also select a check key by pressing the corresponding key when it has been placed directly on the keyboard instead of selecting the key from the menu.

■ Credit key (CR1 through CR9)

Procedure

Select a pertinent credit key from the credit keys list.



CREDIT1	↓
TEXT	CREDIT1
HALO	18
EFT	NON-COMPUL.
BILL PR.	NON-COMPUL.
FOOTER PR.	NO
NON-ADD#	NON-COMPUL.

The screen continues.

NOTE

You can also select a credit key by pressing the corresponding key when it has been placed directly on the keyboard instead of selecting the key from the menu.

Program each item as follows:

- **TEXT (Use the character entry)**

Description for the credit key. Up to 12 characters can be entered.

- **HALO (High Amount Lockout) (Use the numeric entry)**

AB is the same as $A \times 10^B$.

A: Significant digit (1 through 9)

B: Number of zeros to follow the significant digit (0 through 8)

You can set AB at 18 for no limitation.

- **EFT (Use the selective entry)**

COMPUL.: Makes EFT function compulsory.

NON-COMPUL.: Makes EFT function non-compulsory.

- **BILL PR. (Use the selective entry)**

COMPUL.: Compulsory bill printing

NON-COMPUL.: Non-compulsory bill printing

- **FOOTER PR. (Use the selective entry)**

This item decides whether or not your POS terminal should print a message at the foot of a receipt when a specified credit key is used.

YES: Enables footer printing on the receipt.

NO: Disables footer printing on the receipt.

- **NON-ADD# (Use the selective entry)**

COMPUL.: Compulsory non-add code entry

NON-COMPUL.: Non-compulsory non-add code entry

- **CHANGE DUE (Use the selective entry)**

DISABLE: Disables change calculation.

ENABLE: Enables change calculation.

- **VP (Use the selective entry)**

COMPUL.: Compulsory validation printing

NON-COMPUL.: Non-compulsory validation printing

- **DRAWER OPEN (Use the selective entry)**

YES: Opens the drawer.

NO: Disables the drawer opening.

- **AMOUNT (Use the selective entry)**

COMPUL.: Makes amount tendered entry compulsory.

INHIBITED: Inhibits amount tendered entry.

■ Charge key

Procedure

CHARGE	
TEXT	CHARGE
HALO	18
EFT	NON-COMPUL.
BILL PR.	NON-COMPUL.
FOOTER PR.	NO
NON-ADD#	NON-COMPUL.

The screen continues.

Program each item as follows:

- **TEXT (Use the character entry)**
Description for the credit key. Up to 12 characters can be entered.
- **HALO (High Amount Lockout) (Use the numeric entry)**
AB is the same as $A \times 10^B$.
A: Significant digit (1 through 9)
B: Number of zeros to follow the significant digit (0 through 8)
You can set AB at 18 for no limitation.
- **EFT (Use the selective entry)**
COMPUL.: Makes EFT function compulsory.
NON-COMPUL.: Makes EFT function non-compulsory.
- **BILL PR. (Use the selective entry)**
COMPUL.: Compulsory bill printing
NON-COMPUL.: Non-compulsory bill printing
- **FOOTER PR. (Use the selective entry)**
This item decides whether or not your POS terminal should print a message at the foot of a receipt when a specified credit key is used.
YES: Enables footer printing on the receipt.
NO: Disables footer printing on the receipt.
- **NON-ADD# (Use the selective entry)**
COMPUL.: Compulsory non-add code entry
NON-COMPUL.: Non-compulsory non-add code entry
- **CHANGE DUE (Use the selective entry)**
DISABLE: Disables change calculation.
ENABLE: Enables change calculation.
- **VP (Use the selective entry)**
COMPUL.: Compulsory validation printing
NON-COMPUL.: Non-compulsory validation printing
- **DRAWER OPEN (Use the selective entry)**
YES: Opens the drawer.
NO: Disables the drawer opening.
- **AMOUNT (Use the selective entry)**
COMPUL.: Makes amount tendered entry compulsory.
INHIBITED: Inhibits amount tendered entry.

NOTE

You can also select the charge key by pressing the corresponding key when it has been placed directly on the keyboard.

■ Cash in drawer

You can program the description and the upper limit amounts for cash in drawer (sentinel).

Procedure

CID	
TEXT	***CID
HALO	9999999.99

Program each item as follows:

- **TEXT (Use the character entry)**
Description for the cash in drawer. Up to 12 characters can be entered.
- **HALO (High Amount Lockout) (Use the numeric entry)**
Limit amount: 0 to 9999999.99

■ Check change

You can program the description and the upper limit amounts for check change.

Procedure

CH/CG	
TEXT	CHK/CG
HALO	999999.99

Program each item as follows:

- **TEXT (Use the character entry)**
Description for check change. Up to 12 characters can be entered.
- **HALO (High Amount Lockout) (Use the numeric entry)**
Limit amount: 0 to 999999.99

■ Check cashing

You can program the description and the upper limit amounts for check cashing.

Procedure

Select a pertinent check cashing no. from the check cashing numbers list.



CA/CHK	
TEXT	CA/CHK
HALO	999999.99

Program each item as follows:

- **TEXT (Use the character entry)**
Description for check cashing. Up to 12 characters can be entered.
- **HALO (High Amount Lockout) (Use the numeric entry)**
Limit amount: 0 to 999999.99

Currency Programming

In the SETTING window, select "5 CURRENCY", and take the following procedure.

■ Currency exchange key (EX1 through EX9)

Procedure

Select a pertinent currency exchange key from the currency exchange keys list.



FOREIGN1	
RATE	0.000000
TEXT	EXCH1
TAB	2
DESCRIPTOR	

Program each item as follows:

- **RATE (Use the numeric entry)**
Currency exchange rate (0.000000 to 999.999999)
- **TEXT (Use the character entry)**
Description for the currency exchange key. Up to 12 characters can be entered.
- **TAB (Use the numeric entry)**
Tabulation (0 to 3)
- **DESCRIPTOR (Use the character entry)**
Currency descriptor. Up to 4 characters can be entered.

Foreign currency drawer

Procedure

Select "10 FOREIGN DRW#" from the currency menu.

▼

FOREIGN DRW#
FOREIGN DRW# DRAWER1

Program each item as follows:

- **FOREIGN DRW# (Use the selective entry)**
DRAWER2/DRAWER1/NONE

NOTE

The number of times of the drawer opening with the EXCHANGE(n) key will be added to the NO-SALE counter.

Text Programming

Use the following procedure to select any option included in the text group:

Procedure

SETTING	↓
01 ARTICLE	
02 DIRECT KEY	
03 FUNCTION	
04 MEDIA	
05 CURRENCY	
06 TEXT	

▼

TEXT
1 FUNCTION TEXT
2 DEPT. GROUP
3 PLU GROUP

1. From the SETTING menu, select "6 TEXT."
 - The TEXT menu will appear.

2. Select any option from the following options list:

- | | |
|------------------|-----------------------|
| 1 FUNCTION TEXT: | Function text |
| 2 DEPT. GROUP: | Department group text |
| 3 PLU GROUP: | PLU group text |

The following illustration shows those options included in the text programming group.



■ Function text

You can program a maximum of 12 characters for each function by using the following table:

Procedure

FUNCTION TEXT	↓
001 DISCOUNT	
002 DIFFER	
003 TAX1 ST	
004 TAX2 ST	
005 TAX3 ST	
006 TAX4 ST	

The screen continues.

Program each item as follows:

• TEXT (Use the character entry)

Description for the cash in drawer. Up to 12 characters can be entered.

No.	Function	Default text
001	Promotion discount	DISCOUNT
002	Difference	DIFFER
003	Taxable 1 subtotal	TAX1 ST
004	Taxable 2 subtotal	TAX2 ST
005	Taxable 3 subtotal	TAX3 ST
006	Taxable 4 subtotal	TAX4 ST
007	Taxable 5 subtotal	TAX5 ST
008	Taxable 6 subtotal	TAX6 ST
009	VAT/tax 1	VAT 1
010	VAT/tax 2	VAT 2
011	VAT/tax 3	VAT 3
012	VAT/tax 4	VAT 4
013	VAT/tax 5	VAT 5
014	VAT/tax 6	VAT 6
015	Net 1	NET 1
016	Net 2	NET 2
017	Coupon-like PLU	CP PLU
018*	Void issued order-receipt	VD
019	Subtotal void	SBTL VD
020	MGR void	MGR VD
021	Void mode	VOID
022	Refund	REFUND
023	Return	RETURN
024*	Hash void issued order-receipt	HASH VD
025	Hash refund	HASH RF
026	Hash return	HASH RT
027*	Non-turnover void	NOTURNVD
028	Non-turnover refund	NOTURNRF
029	Non-turnover return	NOTURNRT
030	VAT shift	VAT SFT
031	VAT/tax delete	TAX DELE
032	VP counter	VP CNT
033	Bill counter	BILL CNT
034	No sale	NO SALE

No.	Function	Default text
035	Guest check counter	G.C. CNT
036	PBAL (for GLU)	***PBAL
037	NBAL (for GLU)	***NBAL
038	Starting cash memory (+)	SCM (+)
039	Starting cash memory (-)	SCM (-)
040	Exchange 1 is	EXCH1 IS
041	Exchange 2 is	EXCH2 IS
042	Exchange 3 is	EXCH3 IS
043	Exchange 4 is	EXCH4 IS
044	Exchange 5 is	EXCH5 IS
045	Exchange 6 is	EXCH6 IS
046	Exchange 7 is	EXCH7 IS
047	Exchange 8 is	EXCH8 IS
048	Exchange 9 is	EXCH9 IS
049	Cash/check is	CA/CK IS
050	Cash/check in drawer	CA/CK ID
051	Guest	GUEST
052	Non-commission sale	NON COM.
053	VIP1 sale	VIP1 SALE
054	VIP2 sale	VIP2 SALE
055	VIP3 sale	VIP3 SALE
056	Order total	ORDER TL
057	Paid total	PAID TL
058	Transfer out	TRAN.OUT
059	Transfer in	TRAN.IN
060	Tip paid	TIP PAID
061	Domestic currency 1	DOM.CUR1
062	Domestic currency 2	DOM.CUR2
063	Domestic currency 3	DOM.CUR3
064	Domestic currency 4	DOM.CUR4
065	Domestic currency 5	DOM.CUR5
066	Domestic currency 6	DOM.CUR6
067	Domestic currency 7	DOM.CUR7
068	Domestic currency 8	DOM.CUR8

*This void is applied to opened GLU.

■ Function text (continued)

No.	Function	Default text
069	Domestic currency 9	DOM.CUR9
070	Non-turnover total 1	*NT TL1
071	Non-turnover total 2	*NT TL2
072	Non-turnover total 3	*NT TL3
073	Check in drawer	*CH ID
074	(+)dept. total	*DEPT TL
075	(-)dept. total	DEPT(-)
076	Hash(+) total	*HASH TL
077	Hash(-) total	HASH(-)
078	Bottle return (+) total	*BTTL TL
079	Bottle return (-) total	BTTL (-)
080	Net 1 (Taxable 1 - VAT/tax 1)	NET 1
081	Net 2 (Taxable 2 - VAT/tax 2)	NET 2
082	Net 3 (Taxable 3 - VAT/tax 3)	NET 3
083	Net 4 (Taxable 4 - VAT/tax 4)	NET 4
084	Net 5 (Taxable 5 - VAT/tax 5)	NET 5
085	Net 6 (Taxable 6 - VAT/tax 6)	NET 6
086	Subtotal	SUBTOTAL
087	Merchandise subtotal	MDSE ST
088	Total	***TOTAL
089	Difference subtotal	DIFF ST
090	Non-turnover subtotal	NON-TURN
091	Change	CHANGE
092	English check print	CHECK PR
093	Due	DUE
094	Tip due	TIP DUE
095	Balance	BALANCE
096	Sales q'ty	ITEMS
097	Item subtotal (for LINK PLU/EAN)	ITEM ST
098	Copy receipt title	COPY
099	Guest check copy title	G.C COPY
100	Bill totalize/transfer title	B . T .
101	Bill separation title	B . S .
102	Intermediate GLU reading title	INTERMED.
103	Bill on receipt title	BILL
104	VIP1 sale title	VIP1 SALE
105	VIP2 sale title	VIP2 SALE
106	VIP3 sale title	VIP3 SALE
107	Slip print journal message	SLIP PR.
108	Slip next page	NEXT P.
109	Average	AVE.
110	CCD	CCD
111	CCD difference	CCD DIF.
112	CCD difference total	DIF. TL
113	Order total - Paid total	O - P
114	Commission amount 1	COM.AMT1

No.	Function	Default text
115	Commission amount 2	COM.AMT2
116	Commission amount 3	COM.AMT3
117	Commission amount 4	COM.AMT4
118	Commission amount 5	COM.AMT5
119	Commission amount 6	COM.AMT6
120	Commission amount 7	COM.AMT7
121	Commission amount 8	COM.AMT8
122	Commission amount 9	COM.AMT9
123	Commission amount total	COM.TTL
124	Bill balance	BILL BAL
125	Free GLU	FREE GLU
126	Old balance	OLD BAL.
127	New balance	BALANCE
128	Starting cash memory total	SCM TTL
129	Turnover per table	T.TABLE
130	Turnover per guest	T.GUEST
131	Turnover per bill	T.BILL
132	Item per guest	I.GUEST
133	Item per bill	I.BILL
134	Average price per item	AVE.ITEM
135	Total tax	TTL TAX
136	Net without tax	NET
137	Town name 1	TOWNNAME
138	Town name 2	TOWNNAME
139	Cash transfer	TRANSFER
140	GLU code	GLU#
141	Pint sale	PINT SAL
142	Tare weight	TARE WT.
143	Receipt switch	RCP SW.
144	Reset subtotal	RST SBTL
145	Reset total	RESET TL
146	Miss-operation total	MISOP TL
147	Bill void text	BILL VOID
148	COMBO on PLU report	COMBO
149	Check payment for exchange 1	EX1 CHK
150	Credit payment for exchange 1	EX1 CREDIT
151	Domestic currency 1 for check	DOM. CUR1 CHK
152	Domestic currency 1 for credit	DOM. CUR1 CR
153	VOID text on KP	VOID
154	REFUND text on KP	REFUND
155	RETURN text on KP	RETURN
156	New Code for customer	NEW CODE
157	Remained charge for customer	CHARGE
158	Deduction	DEDUCTION
159	Price change receipt title	PR.CHNG

■ Department group text

You can program a maximum of twelve characters for each department group (1~9).

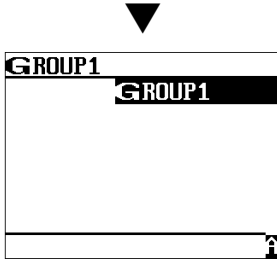
Procedure

Select a pertinent department group number from the department groups list.

Program the item as follows:

- **TEXT (Use the character entry)**

Description for the department group. Up to 12 characters can be entered.



■ PLU group text

You can program a maximum of twelve characters for each PLU group (1~99).

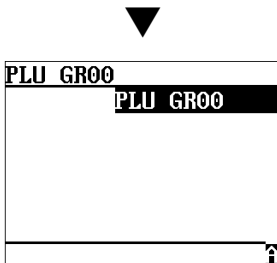
Procedure

Select a pertinent PLU group number from the PLU groups list.

Program the item as follows:

- **TEXT (Use the character entry)**

Description for the PLU group. Up to 12 characters can be entered.



Personnel Programming

Use the following procedure to select any option included in the personnel group:

Procedure

```

SETTING  ↑↓
07 PERSONNEL
08 TERMINAL
09 DATE/TIME
10 OPTIONAL
11 REPORT
12 MESSAGE
    
```



```

PERSONNEL
1 CLERK
2 CASHIER
    
```

- From the SETTING menu, select "7 PERSONNEL."
 - The PERSONNEL menu will appear.

- Select any option from the following options list:

- | | |
|------------|---------|
| 1 CLERK: | Clerk |
| 2 CASHIER: | Cashier |

The following illustration shows those options included in the personnel programming group.



■ Clerk

NOTE

Please kindly take note to make "Clerk" programming instead of Cashier programming even when "cashier only" system is applied to your POS terminal. In case that "cashier + clerk" system is applied to your POS terminal, data except CODE, NAME and KEY No. are not effective.

Procedure

```

CLERK ↓
0001 CLERK0001
0002 CLERK0002
0003 CLERK0003
0004 CLERK0004
0005 CLERK0005
0006 CLERK0006
    
```



```

0001 ↓
SECRET CODE 0000
NAME CLERK0001
KEY No. 001
SUPERVISOR NO
VIP1 SALE ENABLE
VIP2 SALE ENABLE
    
```

Program each item as follows:

- SECRET CODE (Use the numeric entry)**
Secret code (max. 4 digits: 0001 to 9999/0000)
- NAME (Use the character entry)**
Name for the clerk. Up to 12 characters can be entered.

NOTE

In case of "cashier only system", please note that "CLERK0001" through "CLERK0099" will appear as the factory-set names.

- KEY No. (Use the numeric entry)**
Key number (0 through 255)
- SUPERVISOR (Use the selective entry)**
Always enter "NO".
Please never change the default setting. This setting is only for the machine that has real clerk key system.

The screen continues.

■ Clerk (continued)

- **VIP1 through 3 SALE (Use the selective entry)**

DISABLE: Disables VIP sale.

ENABLE: Enables VIP sale.

- **GLU TYPE (Use the selective entry)**

GLU: Makes GLU system compulsory.

NON-COMPUL.: Makes GLU system/non-compulsory.

- **G.C. COPY (Use the selective entry)**

DISABLE: Disables guest check copy.

ENABLE: Enables guest check copy.

- **VAT SHIFT (Use the selective entry)**

STATE: Enables VAT shift entry.

NOT: Disables VAT shift entry.

- **DRAWER No. (Use the selective entry)**

DRAWER2/DRAWER1/NONE

- **START GLU (Use the numeric entry)**

Starting GLU code (1 to 99999999)

- **END GLU (Use the numeric entry)**

Ending GLU code (1 to 99999999)

- **PGM2 MODE (Use the selective entry)**

DISABLE: Disables operation in the PGM2 mode.

ENABLE: Enables operation in the PGM2 mode.

- **PGM1 MODE (Use the selective entry)**

DISABLE: Disables operation in the PGM1 mode.

ENABLE: Enables operation in the PGM1 mode.

- **X1 MODE (Use the selective entry)**

DISABLE: Disables operation in the X1 mode.

ENABLE: Enables operation in the X1 mode.

- **Z1 MODE (Use the selective entry)**

DISABLE: Disables operation in the Z1 mode

ENABLE: Enables operation in the Z1 mode.

- **X2Z2 MODE (Use the selective entry)**

DISABLE: Disables operation in the X2/Z2 mode.

ENABLE: Enables operation in the X2/Z2 mode.

- **Z1 IN OPX/Z (Use the selective entry)**

DISABLE: Disables resetting operation in OPX/Z mode.

ENABLE: Enables resetting operation in OPX/Z mode.

- **RE-CALL GLU (Use the selective entry)**

LIMITED: Inhibited for the clerk

PUBLIC: Allowed for the clerk

- **P.SFT START (Use the selective entry)**

Price level range (start): (PRICE 1 through PRICE 3)

- **P.SFT END (Use the selective entry)**

Price level range (end): (PRICE 1 through PRICE 3)

■ Cashier

NOTE

Please kindly take note to make "Clerk" programming instead of Cashier programming even when "cashier only" system is applied to your POS terminal.
"Cashier" programming is available only when "cashier + clerk" system is applied to your machine.

Procedure

CASHIER
0001 CASHIER0001



0001	↓
SECRET CODE	0000
NAME	CASHIER0001
KEY No.	001
VIP1 SALE	ENABLE
VIP2 SALE	ENABLE
VIP3 SALE	ENABLE

The screen continues.

Program each item as follows:

- **SECRET CODE (Use the numeric entry)**
Secret code (max. 4 digits: 0001 to 9999/0000)
- **NAME (Use the character entry)**
Name for the cashier. Up to 12 characters can be entered.
- **KEY No. (Use the numeric entry)**
Key number (0 through 255)
- **VIP1 through 3 SALE (Use the selective entry)**
DISABLE: Disables VIP sale.
ENABLE: Enables VIP sale.
- **G.C. COPY (Use the selective entry)**
DISABLE: Disables guest check copy.
ENABLE: Enables guest check copy.
- **VAT SHIFT (Use the selective entry)**
STATE: Enables VAT shift entry.
NOT: Disables VAT shift entry.
- **DRAWER No. (Use the selective entry)**
DRAWER2/DRAWER1/NONE

- **PGM2 MODE (Use the selective entry)**
DISABLE: Disables operation in the PGM2 mode.
ENABLE: Enables operation in the PGM2 mode.
- **PGM1 MODE (Use the selective entry)**
DISABLE: Disables operation in the PGM1 mode.
ENABLE: Enables operation in the PGM1 mode.
- **X1 MODE (Use the selective entry)**
DISABLE: Disables operation in the X1 mode.
ENABLE: Enables operation in the X1 mode.
- **Z1 MODE (Use the selective entry)**
DISABLE: Disables operation in the Z1 mode
ENABLE: Enables operation in the Z1 mode.
- **X2Z2 MODE (Use the selective entry)**
DISABLE: Disables operation in the X2/Z2 mode.
ENABLE: Enables operation in the X2/Z2 mode.
- **Z1 IN OPX/Z (Use the selective entry)**
DISABLE: Disables resetting operation in OPX/Z mode.
ENABLE: Enables resetting operation in OPX/Z mode.
- **P.SFT START (Use the selective entry)**
Price level range (start): (PRICE 1 through PRICE 3)
- **P.SFT END (Use the selective entry)**
Price level range (end): (PRICE 1 through PRICE 3)

Terminal Programming

Use the following procedure to select any option included in the terminal group:

Procedure

SETTING	↑↓
07 PERSONNEL	
08 TERMINAL	
09 DATE/TIME	
10 OPTIONAL	
11 REPORT	
12 MESSAGE	



TERMINAL	
MACHINE#	000000
CONSECUTIVE#	0000
BILL NUMBER	0000
DRAWER ALARM	000
SCREEN SAVE	00

1. From the SETTING menu, select "8 TERMINAL."
 - The TERMINAL menu will appear.

2. Select any option from the following options list:

- **MACHINE# (Use the numeric entry)**
Machine number (max. 6 digits: 0 to 999999)
- **CONSECUTIVE# (Use the numeric entry)**
Enter a number (max. 4 digits: 0 to 9999) that is one less than the desired starting number.
- **BILL NUMBER (Use the numeric entry)**
Enter a number (max. 4 digits: 0 to 9999) that is the desired starting number.
- **DRAWER ALARM (Use the numeric entry)**
Alarm length of time with drawer opening (0 to 255 seconds)
 - Your POS terminal starts to monitor how long the drawer is kept open the moment the drawer is opened at the end of a transaction in the REG/VOID mode. It stops the time monitoring when a valid key (except the **VP**, **SLIP**, and **RCPT** keys) is pressed for the next transaction. It restarts the time monitoring after that transaction is ended. You can stop the buzzer alarm by closing the drawer. No key entries can be made while the buzzer is sounding. If the number "0" is entered, this function will be unavailable.
- **SCREEN SAVE (Use the numeric entry)**
Screen save mode timer (max. 2 digits: 0 to 99 minutes)
If the number "0" is entered, the POS terminal will turn the display off after 100 min., if it remains idle.

Date/Time Setting

Use the following procedure to select the menu option "9 DATE/TIME":

■ Date/time

You can set the date and time for the POS terminal.

Procedure

SETTING	↑↓
07 PERSONNEL	
08 TERMINAL	
09 DATE/TIME	
10 OPTIONAL	
11 REPORT	
12 MESSAGE	



DATE/TIME	
DATE	010100
TIME	0000

Set each item as follows:

• DATE (Use the numeric entry)

Enter the day (2 digits), month (2 digits), and year (2 digits) in this sequence.

• TIME (Use the numeric entry)

Set the time (max. 4 digits) on the 24-hour system. For example, when the time is set to 2:30 AM, enter 0230; and when it is set to 2:30 PM, enter 1430. The time will be printed and displayed. Once you set the time, the internal clock unit will continue to run as long as the built-in battery pack is charged and also update the date (day, month, year) properly.

Optional Feature Selection

Use the following procedure to select any option included in the optional group:

Procedure

SETTING	↑↓
07 PERSONNEL	
08 TERMINAL	
09 DATE/TIME	
10 OPTIONAL	
11 REPORT	
12 MESSAGE	



OPTIONAL	
1 FUNC. PROHIBIT	
2 FUNC. SELECT1	
3 FUNC. SELECT2	
4 PRINT SELECT1	
5 PRINT SELECT2	
6 EURO	

1. From the SETTING menu, select "10 OPTIONAL."

- The OPTIONAL menu will appear.

2. Select any option from the following options list:

- | | |
|-------------------|----------------------|
| 1 FUNC. PROHIBIT: | Function prohibition |
| 2 FUNC. SELECT1: | Function selection 1 |
| 3 FUNC. SELECT2: | Function selection 2 |
| 4 PRINT SELECT1: | Printing selection 1 |
| 5 PRINT SELECT2: | Printing selection 2 |
| 6 EURO: | EURO |

The following illustration shows those options included in the optional feature programming group.

10 OPTIONAL	1 FUNC.PROHIBIT	➔ See "Function prohibition" on page 147.
	2 FUNC.SELECT1	➔ See "Function selection 1" on page 148.
	3 FUNC.SELECT2	➔ See "Function selection 2" on page 149.
	4 PRINT SELECT1	➔ See "Printing selection 1" on page 150.
	5 PRINT SELECT2	➔ See "Printing selection 2" on page 151.
	6 EURO	➔ See "EURO" on page 152.

■ Function prohibition

Your POS terminal allows you to select whether to enable or disable various functions.

Procedure

FUNC. PROHIBIT	J
OPX/Z REPORT	ENABLE
PAID OUT	PUBLIC
REFUND/RTN	PUBLIC
ISSUE ITM VD	PUBLIC
NO ISSUED VD	PUBLIC
SBTL VOID	PUBLIC

The screen continues.

Program each item as follows:

- **OPX/Z REPORT (Use the selective entry)**
 - DISABLE: Disables clerk report printing in the OP X/Z mode.
 - ENABLE: Enables clerk report printing in the OP X/Z mode.
- **PAID OUT (Use the selective entry)**
 - LIMITED: Allowed only in the MGR mode.
 - PUBLIC: Allowed in the REG and MGR modes.
- **REFUND/RTN <Refund/Return>(Use the selective entry)**
 - LIMITED: Allowed only in the MGR mode.
 - PUBLIC: Allowed in the REG and MGR modes.
- **ISSUE ITM VD <Issued item void>(Use the selective entry)**
 - LIMITED: Allowed only in the MGR mode.
 - PUBLIC: Allowed in the REG and MGR modes.
- **NO ISSUED VD <No issued item void>(Use the selective entry)**
 - LIMITED: Allowed only in the MGR mode.
 - PUBLIC: Allowed in the REG and MGR modes.
- **SBTL VOID <Subtotal void>(Use the selective entry)**
 - LIMITED: Allowed only in the MGR mode.
 - PUBLIC: Allowed in the REG and MGR modes.
- **ITEM VP <Item validation print>(Use the selective entry)**
 - DISABLE: Disables item validation printing.
 - ENABLE: Enables item validation printing.
- **INTERMED.GLU <Intermediate GLU>(Use the selective entry)**
 - LIMITED: Allowed only in the MGR mode.
 - PUBLIC: Allowed in the REG and MGR modes.
- **GLU FINALIZE (Use the selective entry)**
 - DISABLE: Disables GLU finalization after ordering.
 - ENABLE: Enables GLU finalization after ordering.
- **VIP SALES (Use the selective entry)**
 - LIMITED: Allowed only in the MGR mode.
 - PUBLIC: Allowed in the REG and MGR modes.
- **I. BILL FINAL (Use the selective entry)**
 - DISABLE: Disables GLU finalization before intermediate GLU reading.
 - ENABLE: Enables GLU finalization before intermediate GLU reading.
- **OPENED GLUDISP (Use the selective entry)**
 - DISABLE: Disables opened GLU automatically display at sign on.
 - ENABLE: Enables opened GLU automatically display at sign on.

■ Function prohibition (continued)

- **EAN LEARNING (Use the selective entry)**
 - DISABLE: Disables EAN learning function.
 - ENABLE: Enables EAN learning function.
- **PRICE CHANGE (Use the selective entry)**
 - LIMITED: Allowed only in the MGR mode.
 - PUBLIC: Allowed in the REG and MGR modes.
- **CUSTOMER OPN <Customer open>(Use selective entry)**
 - LIMITED: Allowed only in the MGR mode.
 - PUBLIC: Allowed in the REG and MGR modes.

■ Function selection 1

Your POS terminal enables you to select various functional selections.

Procedure

```
FUNC.SELECT1 ↓
RFND VP NON-COMPUL.
(-) VP NON-COMPUL.
DBL RCP HEAD NORMAL
VAT SHIFT BY CLERK
L.SFT TYPE AUTO
LEVEL SHIFT PUBLIC
```

The screen continues.

Program each item as follows:

- **REFUND VP (Use the selective entry)**
 - COMPUL.: Compulsory refund validation printing
 - NON-COMPUL.: Non-compulsory refund validation printing
- **(-) VP (Use the selective entry)**
 - COMPUL.: Compulsory minus validation printing
 - NON-COMPUL.: Non-compulsory minus validation printing
- **DBL RCP HEAD <Double receipt head>(Use the selective entry)**
 - 1 LINE: Prints a one-line header on a double receipt.
 - NORMAL: Prints a normal header on a double receipt.
- **VAT SHIFT (Use the selective entry)**
 - BY SHIFT: Allows VAT shift to be accomplished by the shift key.
 - BY CLERK: Allows VAT shift to be accomplished by a clerk.
- **L.SFT TYPE <Level shift type>(Use the selective entry)**
 - MANUAL: Lock shift mode
 - AUTO: Automatic return mode
- **LEVEL SHIFT (Use the selective entry)**
 - LIMITED: Allowed only in the MGR mode.
 - PUBLIC: Allowed in the REG and MGR modes.
- **RETURN TO L1 <Return to level 1>(Use the selective entry)**
 - When the PLU level shift system is set to "AUTO," the PLU level can be returned to level 1 by one of the following methods:
 - RECEIPT: Returns the PLU level to level 1 by one receipt.
 - BY ITEM: Returns the PLU level to level 1 by one item.
- **PR.SFT TYPE <Price shift type>(Use the selective entry)**
 - MANUAL: Lock shift mode
 - AUTO: Automatic return mode
- **PRICE SHIFT (Use the selective entry)**
 - LIMITED: Allowed only in the MGR mode.
 - PUBLIC: Allowed in the REG and MGR modes.
- **RETURN TO P1 <Return to price 1>(Use the selective entry)**
 - When the PLU price level shift method is set to "AUTO," the price level can be returned to price 1 by one of the following methods:
 - RECEIPT: Returns the price level to price 1 by one receipt.
 - BY ITEM: Returns the price level to price 1 by one item.

■ Function selection 1 (continued)

- **NON-TURNOVER (Use the selective entry)**

IN. VAT: Enables non-turnover including VAT.
EX. VAT: Disables non-turnover including VAT.

- **QTY IN VIP (Use the selective entry)**

UPDATE: Updates the sales quantity of VIP sale.
NON: Does not update the sales quantity of VIP sale.

- **CR IN RA/PO <Credit in PA/PO>(Use the selective entry)**

UPDATE: Updates a credit totalizer when finalizing a received-on-account or a paid-out entry by a credit key.
NON: Does not update a credit totalizer when finalizing a received-on-account or a paid-out entry by a credit key.

■ Function selection 2

Your POS terminal enables you to select various functional selections.

Procedure

```

FUNC.SELECT2 ↓
SHIFT KEY ACT CAPS
T-LOG FULL CONTINUE
PAY FOR EX1 CASH
EX1 CALC. MULTI.
CLERK POPUP ENABLE
ISBN PRICE COMPUL.
    
```

The screen continues.

Program each item as follows:

- **SHIFT KEY ACT (Use the selective entry)**

CAPS: Locks the upper-case letter mode once the shift key is touched.
SHIFT: Shifts the upper-case letter mode to the lower-case letter mode after a letter is entered.

- **T-LOG FULL (Use the selective entry)**

Programming whether or not to lock item entry when the T-LOG file is full.
CONTINUE/LOCK

- **PAY FOR EX1 (Use the selective entry)**

Payment for exchange1 amount
CASH: Cash only
ALL: All media

- **EX1 CALC. (Use the selective entry)**

Exchange1 calculation method
DIVIDE: Division
MULTI.: Multiplication

- **CLERK POPUP (Use the selective entry)**

If a clerk is not sign on under the supervisor clerk, CLERK POPUP is displayed.
ENABLE/DISABLE

- **ISBN PRICE (Use the selective entry)**

Price entry after ISBN/ISSN code entry
INHIBIT/COMPUL.

- **VMP FULL (Use the selective entry)**

VMP EAN entry when the VMP file is full
ERROR/CONTINUE

- **ADD-ON FULL (Use the selective entry)**

Entry of EAN with add-on code when the EAN ADD-ON file is full.
ERROR/CONTINUE

■ Function selection 2 (continued)

• CUSTOMER DATA (Use the selective entry)

TOTAL: Sales total and charge sales total

DETAIL: Detail data (Sales total, charge sales total, sales date, item's name, amount and quantity)

■ Printing selection 1

You can program various printing functions.

Procedure

PRINT SELECT1	J
PURCHASE NO.	NO
TIME	YES
JOURNAL SEL.	FULL
JOURNAL SIZE	SMALL
VAT/TAX ON R/J	YES
TAXABLE ON R/J	YES

The screen continues.

Program each item as follows:

• PURCHASE NO. (Use the selective entry)

NO: Does not print the number of purchases.

YES: Prints the number of purchases.

• TIME (Use the selective entry)

NO: Does not print the time on the receipt and journal.

YES: Prints the time on the receipt and journal.

• JOURNAL SEL. (Use the selective entry)

PARTIAL: Prints the information on all entries other than normal department entries (entries into "+" departments and their associated "+" PLUs) on the journal.

FULL: Prints the detailed information on the journal.

• JOURNAL SIZE (Use the selective entry)

NORMAL: Prints the normal-size letters on the journal.

SMALL: Prints the compressed-size letters on the journal.

• VAT/TAX ON R/J (Use the selective entry)

NO: Does not print VAT or tax amounts on the receipt and journal.

YES: Prints VAT or tax amounts on the receipt and journal.

• TAXABLE ON R/J (Use the selective entry)

NO: Does not print taxable amounts on the receipt and journal.

YES: Prints taxable amounts on the receipt and journal.

• NET ON R/J (Use the selective entry)

NO: Does not print net amounts on the receipt and journal.

YES: Prints net amounts on the receipt and journal.

• VAT/TAX (BILL) (Use the selective entry)

NO: Does not print VAT or tax amounts on the bill.

YES: Prints VAT or tax amounts on the bill.

• TAXABLE (BILL) (Use the selective entry)

NO: Does not print taxable amounts on the bill.

YES: Prints taxable amounts on the bill.

• NET ON BILL (Use the selective entry)

NO: Does not print net amounts on the bill.

YES: Prints net amounts on the bill.

• TIME ON BILL (Use the selective entry)

NO: Does not print the time on the bill.

YES: Prints the time on the bill.

• TABLE# ON BILL (Use the selective entry)

NO: Does not print the table number on the bill.

YES: Prints the table number on the bill.

■ Printing selection 1 (continued)

- **BILL ON SLIP (Use the selective entry)**

NO: Does not print the bill on the slip.
 YES: Prints the bill on the slip.

- **BILL ON RCPT (Use the selective entry)**

NO: Does not print the bill on the receipt.
 YES: Prints the bill on the receipt.

- **INTERMED SLIP (Use the selective entry)**

NO: Does not print the details of intermediate GLU reading on the slip.
 YES: Prints the details of intermediate GLU reading on the slip.

- **INTERMED RCPT (Use the selective entry)**

NO: Does not print the details of intermediate GLU reading on the receipt.
 YES: Prints the details of intermediate GLU reading on the receipt.

■ Printing selection 2

You can program various printing functions.

Procedure

PRINT SELECT2	↓
SEPARATER LINE	NO
LINK PLU	EACH PLU
FREE TEXT (KP)	YES
ITEM CODE (KP)	NO
PRICE ON KP	NO
AMOUNT ON KP	NO

The screen continues.

Program each item as follows:

- **SEPARATOR LINE (Use the selective entry)**

YES: Prints separator lines in the report.
 NO: Creates one-line space instead of printing separator lines in the report.

- **LINK PLU (Use the selective entry)**

PARENT+TTL: Prints parent PLU text of linked PLUs with totalizer.
 EACH PLU: Prints each PLU text of linked PLUs.

- **FREE TEXT (KP) (Use the selective entry)**

YES: Prints free text on KP.
 NO: Does not print free text on KP.

- **ITEM CODE (KP) (Use the selective entry)**

YES: Prints item code on KP.
 NO: Does not print item code on KP.

- **PRICE ON KP (Use the selective entry)**

YES: Prints unit price on KP.
 NO: Does not print unit price on KP.

- **AMOUNT ON KP (Use the selective entry)**

YES: Prints amount on KP.
 NO: Does not print amount on KP.

- **GUEST# ON KP (Use the selective entry)**

YES: Prints guest# on KP.
 NO: Does not print guest# on KP.

- **QTY1 ON KP (Use the selective entry)**

YES: Prints quantity when quantity is 1.
 NO: Does not print quantity when quantity is 1.

- **TOTAL&CNG (Use the selective entry)**

Exchange1 amount print for total and change
 DOMESTIC: Displays in domestic currency only.
 WITH EX1: Displays both in domestic and EX1 currencies.

■ Printing selection 2 (continued)

• PAYMENT VP (Use the selective entry)

Exchange1 amount print for payment VP
DOMESTIC Displays in domestic currency only.
WITH EX1: Displays both in domestic and EX1 currencies.

• MAXIMUM TICKET (Use the numeric entry)

Maximum number of ticket issuing (1 to 99)

• CUSTOMER REP. (Use the selective entry)

Non-payment customer report format
DETAIL: Detail data
CHARGE: Charge amount data

■ EURO

You can program optional functions for EURO. For the details, refer to EURO Migration Function section.

Procedure

EURO	
DATE	000000
TIME	00
PRICE CONVERT	YES
EURO JOB	COMPUL.

Program each item as follows:

• DATE (Use the numeric entry)

Preset the date to execute the automatic EURO modification operation.
Enter the day (2 digits), month (2 digits), and year (2 digits) in this sequence.

• TIME (Use the numeric entry)

Preset the time of the date to execute the automatic EURO modification operation.
Enter the hour (00-23)

• PRICE CONVERT (Use the selective entry)

NO: Does not convert the preset unit prices of Dept./PLU/EAN to the ones of EURO currency in the automatic EURO modification operation.
YES: Converts the preset unit prices of Dept./PLU/EAN in the automatic EURO modification operation.

NOTE

The preset rate of the EX1 key is applied as the conversion rate, and the calculation method is set to "division".

• EURO JOB (Use the selective entry)

NON-COMPUL.: Non-compulsory the automatic EURO modification operation in the X2/Z2 mode after the preset date.
COMPUL.: Compulsory the automatic EURO modification operation in the X2/Z2 mode after the preset date.

NOTE

When the EURO STATUS of your POS terminal is already "D" (i.e. the domestic currency has been changed to EURO in your POS terminal), this programming is disabled.

Report Programming

Use the following procedure to select any option included in the report group:

Procedure

SETTING	↑↓
07 PERSONNEL	
08 TERMINAL	
09 DATE/TIME	
10 OPTIONAL	
11 REPORT	
12 MESSAGE	



REPORT
1 0 SKIP
2 GNR RPT FORMAT
3 HOURLY RPT
4 STACKED RPT

- From the SETTING menu, select "11 REPORT."
 - The REPORT menu will appear.

- Select any option from the following options list:

1 0 SKIP:	Zero skip
2 GNR RPT FORMAT:	General report format
3 HOURLY RPT:	Hourly report
4 STACKED RPT:	Stacked report

The following illustration shows those options included in the report programming group.

11 REPORT	1 0 SKIP	➡ See "Zero skip" on page 153.
	2 GNR RPT FORMAT	➡ See "General report format" on page 154.
	3 HOURLY RPT	➡ See "Hourly report" on page 154.
	4 STACKED RPT	➡ See "Stacked report" on page 155.

■ Zero skip

You can program whether or not to skip "0" in each report.

Procedure

0 SKIP	↓
CLERK	SKIP
CASHIER	SKIP
TRANSACTION	SKIP
DEPARTMENT	SKIP
PLU/EAN	SKIP
HOURLY	SKIP

The screen continues.

Program each item as follows:

- CLERK (Use the selective entry)**
 - SKIP: Skips those data that are "0" in the clerk report.
 - NOT SKIP: Does not skip those data that are "0" in the clerk report.
- CASHIER (Use the selective entry)**
 - SKIP: Skips those data that are "0" in the cashier report.
 - NOT SKIP: Does not skip those data that are "0" in the cashier report.
- TRANSACTION (Use the selective entry)**
 - SKIP: Skips those data that are "0" in the transaction report.
 - NOT SKIP: Does not skip those data that are "0" in the transaction report.
- DEPARTMENT (Use the selective entry)**
 - SKIP: Skips those data that are "0" in the department report.
 - NOT SKIP: Does not skip those data that are "0" in the department report.
- PLU/EAN (Use the selective entry)**
 - SKIP: Skips those data that are "0" in the PLU/EAN report.
 - NOT SKIP: Does not skip those data that are "0" in the PLU/EAN report.
- HOURLY (Use the selective entry)**
 - SKIP: Skips those data that are "0" in the hourly report.
 - NOT SKIP: Does not skip those data that are "0" in the hourly report.

■ Zero skip (continued)

• DAILY NET (Use the selective entry)

- SKIP: Skips those data that are "0" in the daily net report.
- NOT SKIP: Does not skip those data that are "0" in the daily net report.

■ General report format

You can program whether or not to skip the following items in the general report.

Procedure

GNR RPT FORMAT	
DEPARTMENT	NOT SKIP
TRANSACTION	NOT SKIP
TAX SALE	NOT SKIP
CID	NOT SKIP
DEPT Q'TY	NOT SKIP
DEPT.%SHARE	NOT SKIP

Program each item as follows:

• DEPARTMENT (Use the selective entry)

- SKIP: Skips department data in the general report.
- NOT SKIP: Does not skip department data in the general report.

• TRANSACTION (Use the selective entry)

- SKIP: Skips transaction data in the general report.
- NOT SKIP: Does not skip transaction data in the general report.

NOTE

The programming is effective except the tax data/cash-in-drawer data.

• TAX SALE (Use the selective entry)

- SKIP: Skips tax data in the general report.
- NOT SKIP: Does not skip tax data in the general report.

• CID (Use the selective entry)

- SKIP: Skips cash-in-drawer data in the general report.
- NOT SKIP: Does not skip cash-in-drawer data in the general report.

• DEPT. Q'TY (Use the selective entry)

- SKIP: Skips department quantity in the general report.
- NOT SKIP: Does not skip department quantity in the general report.

• DEPT. %SHARE (Use the selective entry)

- SKIP: Skips department %share in the general report.
- NOT SKIP: Does not skip department %share in the general report.

■ Hourly report

You can program the memory type and the starting time for the hourly report.

Procedure

HOURLY RPT	
MEMORY TYPE	30MIN
STARTING TIME	00

Program each item as follows:

• MEMORY TYPE (Use the selective entry)

- 15MIN: Selects the 15-minute type.
- 30MIN: Selects the 30-minute type.
- 60MIN: Selects the 60-minute type.

• START TIME (Use the numeric entry)

- Starting time entry (max. 2 digits: 0 to 23)

■ Stacked report

Your POS terminal is equipped with the stacked report printing function that enables multiple X/Z reports to be printed in sequence with a single request.

Procedure

Select a stacked report no. from the stacked reports list.

▼

REPORT 1
01
02
03
04
05
06

▼

01
01 GENERAL
02 DEPT./GROUP
03 DEPT. GR. TOTAL
04 PLU
05 COMBO SALES
06 PLU GR. TOTAL

When you are allowed to set the parameter of a report, the following window will appear.

▼

DEPT./GROUP	
START CODE	01
END CODE	99

You can select a maximum of twenty reports from the stacked reports list. Some reports can be set their parameters such as “START CODE” and “END CODE.”

- **01 GENERAL**

General report

- **02 DEPT./GROUP (Use the numeric entry)**

Full department report

Parameter: Starting department code/ending department code (1 through 99)

- **03 DEPT.GR. TOTAL**

Full group total report on departments

- **04 PLU (Use the numeric entry)**

PLU report by designated range

Parameter: Starting PLU code/ending PLU code (1 through 999999)

- **05 COMBO SALES (Use the numeric entry)**

Combo sales report

Parameter: Starting PLU code/ending PLU code (1 through 999999)

- **06 PLU GR. TOTAL**

Full group total report on PLUs

- **07 PLU STOCK (Use the numeric entry)**

PLU stock report

Parameter: Starting PLU code/ending PLU code (1 through 999999)

- **08 PLU MIN. STOCK (Use the numeric entry)**

PLU minimum stock report

Parameter: Starting PLU code/ending PLU code (1 through 999999)

- **09 PLU ZERO SALES (Use the selective/numeric entry)**

PLU zero sales report

Parameter: 1 ALL/2 BY DEPT.

When “2 BY DEPT.” is selected, enter a department code (1 through 99).

- **10 PLU CATEGORY (Use the numeric entry)**

PLU/EAN by price category

Parameter: Starting price/ending price

- **11 TRANSACTION**

Transaction report

- **12 TL-ID**

Total in drawer report

- **13 TAX**

Tax report

■ Stacked report (continued)

- **14 CHIEF**
Chief report
- **15 ALL CASHIER**
Full cashier report
- **16 ALL CLERK**
Full clerk report
- **17 CUSTOM SALES1 (Use the numeric entry)**
Customer sales 1 report
Parameter: Starting customer code/ending customer code
- **18 CUSTOM SALES2 (Use the numeric entry)**
Customer sales 2 report
Parameter: Starting customer code/ending customer code
- **19 HOURLY (Use the numeric entry)**
Hourly report
Parameter: Starting time/ending time (0 through 2345)

NOTE *To take the hourly Z report, you have to specify the full-range hourly report.*

- **20 COMMISSION**
Commission sales report
- **21 GLU (Use the numeric entry)**
GLU report
Parameter: Starting GLU code/ending GLU code (1 through 99999999)
- **22 BALANCE**
Balance report
- **23 CHARGE ACCOUNT**
Charge account report
- **24 NO ACCESS.CUST.**
Non-accessed customer report
- **25 DAILY NET**
Daily net report

Message Programming

Use the following procedure to select any option included in the message group:

Procedure

```
SETTING      ↑↓
07 PERSONNEL
08 TERMINAL
09 DATE/TIME
10 OPTIONAL
11 REPORT
12 MESSAGE
```



```
MESSAGE      ↓
1 RECEIPT LOGO
2 FREE TEXT
3 UP TEXT
4 SLIP TEXT
5 SLIP FOOTER
6 PAYEE NAME
```

The screen continues.

1. From the SETTING menu, select "12 MESSAGE."
 - The MESSAGE menu will appear.

2. Select any option from the following options list:

1 RECEIPT LOGO:	Receipt logo
2 FREE TEXT:	Free text
3 VP TEXT:	Validation printing text
4 SLIP TEXT:	Slip text
5 SLIP FOOTER:	Slip footer
6 PAYEE NAME:	Payee name (for English check)
7 E.BILL MESSAGE:	Entertainment bill message

The following illustration shows those options included in the text programming group.

12 MESSAGE	1 RECEIPT LOGO	➡ See "Receipt logo" on page 158.
	2 FREE TEXT	➡ See "Free text" on page 158.
	3 VP TEXT	➡ See "Validation printing text" on page 158.
	4 SLIP TEXT	➡ See "Slip text" on page 159.
	5 SLIP FOOTER	➡ See "Slip footer" on page 159.
	6 PAYEE NAME	➡ See "Payee name" on page 159.
	7 E.BILL MESSAGE	➡ See "Entertainment bill message" on page 159.

■ Receipt logo

Your POS terminal can print programmed messages for customers on every receipt. The logo text is printed in a centering form on the receipt.

Procedure



Program the item as follows:

• RECEIPT LOGO (Use the character entry)

Logo text for the receipt (max. 40 characters x 6 lines)

Entering sequential characters “=” will print the corresponding clerk name in the footer logo message. Enter 12 characters “=.”

NOTE

The programmable number of lines for a message varies according to the following message types:

- 3-line header message type
- Graphical logo only type
- Graphical logo and 3-line footer message type
- 6-line header message type
- 3-line header and 3-line footer messages type
- 3-line header message, graphical logo, and 3-line footer message type
- Graphical logo and 3-line header and 3-line footer messages type

Please contact your authorized SHARP dealer.

■ Free text

Your POS terminal can print programmed texts for departments, PLUs and EANs on every receipt.

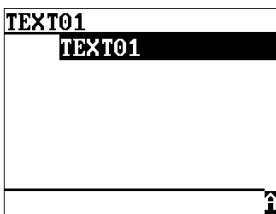
Procedure

Select a pertinent text number from the free texts list.

Program the item as follows:

• FREE TEXT (Use the character entry)

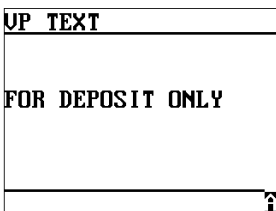
Free texts for departments and PLUs (max. 10 texts/16 characters per text)



■ Validation printing text

Your POS terminal can print programmed messages for customers on the validation slip.

Procedure



Program the item as follows:

• VP TEXT (Use the character entry)

Texts for the validation slip (3 lines/max. 30 characters per line)

■ Slip text

Your POS terminal can print programmed messages for customers on the slip.

Procedure

The diagram shows a rectangular screen with a title bar at the top containing the text "SLIP TEXT". Below the title bar is a large empty rectangular area. At the bottom of the screen, there is a small icon of a padlock, indicating a security or lock function.

Program the item as follows:

- **SLIP TEXT (Use the character entry)**
Texts for the slip (3 lines/max. 30 characters per line)

■ Slip footer

Your POS terminal can print programmed footer messages for customers on the slip.

Procedure

The diagram shows a rectangular screen with a title bar at the top containing the text "SLIP FOOTER". Below the title bar is a large empty rectangular area. At the bottom of the screen, there is a small icon of a padlock, indicating a security or lock function.

Program the item as follows:

- **SLIP FOOTER (Use the character entry)**
Texts for the footer (3 lines/max. 30 characters per line)

■ Payee name

Your POS terminal can print programmed payee names for English checks.

Procedure

The diagram shows a rectangular screen with a title bar at the top containing the text "PAYEE NAME". Below the title bar is a large empty rectangular area. At the bottom of the screen, there is a small icon of a padlock, indicating a security or lock function.

Program the item as follows:

- **PAYEE NAME (Use the character entry)**
Name for the payee for English check (2 lines/max. 30 characters per line)

■ Entertainment bill message

Your POS terminal can print programmed entertainment bill messages on the receipt.

Procedure

The diagram shows a rectangular screen with a title bar at the top containing the text "E.BILL MESSAGE". Below the title bar is a large empty rectangular area. At the bottom of the screen, there is a small icon of a padlock, indicating a security or lock function.

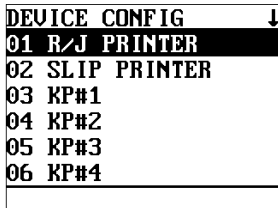
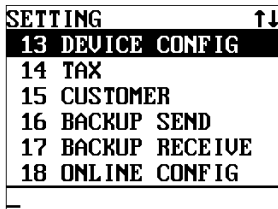
Program the item as follows:

- **E.BILL MESSAGE (Use the character entry)**
Texts for the message (max. 30 characters)

Device Configuration Programming

Use the following procedure to select a device configuration programming:

Procedure



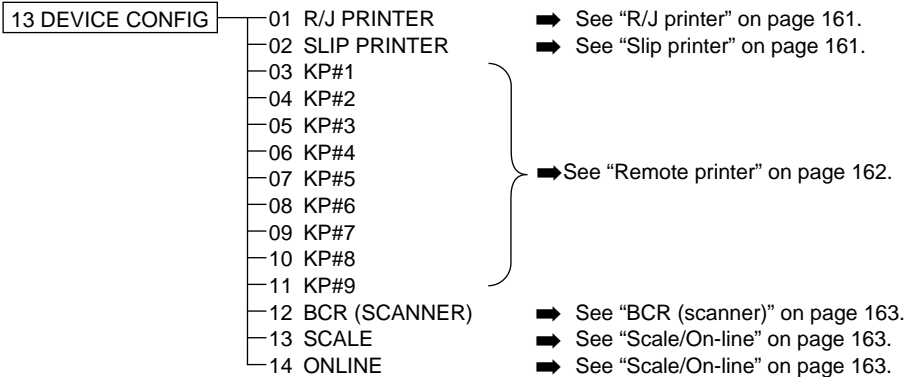
The screen continues.

1. In the SETTING window, select “13 DEVICE CONFIG.”
 - The DEVICE CONFIG window will appear.

2. Select any option from the following options list:

01 R/J PRINTER:	Receipt/Journal Printer (Built-in printer)
02 SLIP PRINTER:	Slip printer
03 KP#1:	Remote printer #1
04 KP#2:	Remote printer #2
05 KP#3:	Remote printer #3
06 KP#4:	Remote printer #4
07 KP#5:	Remote printer #5
08 KP#6:	Remote printer #6
09 KP#7:	Remote printer #7
10 KP#8:	Remote printer #8
11 KP#9:	Remote printer #9
12 BCR (SCANNER) :	Scanner
13 SCALE:	Scale
14 ONLINE:	On-line

The following illustration shows those options included in the device configuration programming group.



■ R/J printer (Built-in printer)

Procedure

R/J PRINTER	
AUTO CUTTER	YES
LIGHT&SHADE	50
IMAGE FOOT NOT PRINT	
RCPT LENGTH	00

Program each item as follows:

- **AUTO CUTTER (Use the selective entry)**
Auto cutter function
YES: Enables auto cutter function.
NO: Disables auto cutter function.
- **LIGHT&SHADE (Use the numeric entry)**
Select a light and shade level. (00 to 99)
00: 78% for standard
50: 100% <standard>
99: 111% for standard
- **IMAGE FOOT (Use the selective entry)**
PRINT: Prints footer graphic logo.
NOT PRINT: Not print footer graphic logo.
- **RCPT LENGTH (Use the numeric entry)**
Minimum length for bill on receipt (0 to 30)

■ Slip printer

Procedure

SLIP PRINTER	
TERMINAL#	000
CHANNEL#	0
PRINTER	TM-295
INITIAL FEED#	00
SLIP MAX LINE	99
VP PRINT TIMES	1

Program each item as follows:

- **TERMINAL# (Use the numeric entry)**
Terminal number (1 through 254 : Enter "0" for local device.)
- **CHANNEL# (Use the numeric entry)**
Channel number (1 through 7)
When you program as "0", no RS-232 channel is assigned.
- **PRINTER (Use the selective entry)**
Select the printer to be used.
EPSON TM-295 EPSON TM-T88/85
EPSON TM-T88(2) EPSON TM-210
- **INITIAL FEED# (Use the numeric entry)**
Initial line feed for a slip (0 to 64 lines)
- **SLIP MAX LINE (Use the numeric entry)**
Maximum number of lines printable on a slip (0 to 99)
- **VP PRINT TIMES (Use the numeric entry)**
Number of times of validation printing (0 to 9)

■ Remote printer (KP#1 through KP#9)

Procedure

KP#1	↓
TERMINAL#	000
CHANNEL#	0
PRINTER	TM-T88/85
AUTO CUTTER	YES
PAPER SHEET	ONE
PRINT TYPE	ADDITION

The screen continues.

Program each item as follows:

- **TERMINAL# (Use the numeric entry)**
Terminal number (1 through 254 : Enter "0" for local device.)
- **CHANNEL# (Use the numeric entry)**
Channel number (1 through 7)
When you program as "0", no RS-232 channel is assigned.
- **PRINTER (Use the selective entry)**
Select the printer to be used.

BUILT-IN (Built-in printer)	EPSON TM-U210
EPSON TM-T88/85	EPSON TM-T88(2)

- **AUTO CUTTER (Use the selective entry)**
Auto cutter function
YES: Enables auto cutter function.
NO: Disables auto cutter function.
- **PAPER SHEET (Use the selective entry)**
Select a paper type.
TWO: Uses two or more sheets.
ONE: Uses one sheet.
- **PRINT TYPE (Use the selective entry)**
Select the type of receipt print formats.
ADDITION: Addition
S/D: Single/Double
ADD+S: Addition + Single
D ADD.: Double addition
D ADD+S: Double addition + Single
- **SECOND KP (Use the numeric entry)**
You can assign a second remote printer to which data should be output when the first remote printer encounters an error during transmission of the data.
Second remote printer number (0 to 9)
- **NAME (Use the character entry)**
Description for the remote printer (max. 12 characters)
- **INITIAL FEED# (Use the numeric entry)**
Initial line feed for a remote printer (0 to 64)

■ BCR (SCANNER)

Procedure

BCR (SCANNER)	
CHANNEL#	0
BAUD RATE	4800bps
DATA BITS	7 Bits
PARITY	ODD
STOP BIT	1 Bit

Program each item as follows:

- **CHANNEL# (Use the selective entry)**
Channel number (0 through 7)
When you program as "0", no RS-232C channel is assigned.
- **BAUD RATE (Use the selective entry)**
Transmission speed (baud rate)
19200 bps/9600 bps/4800 bps
- **DATA BITS (Use the selective entry)**
Data bit: 7 bits/8 bits
- **PARITY (Use the selective entry)**
Parity bit: NON/ODD/EVEN
- **STOP BIT (Use the selective entry)**
Stop bit: 1 bit/2 bits

■ Scale/On-line

Procedure

Select a pertinent device from the "DEVICE CONFIG" window.



SCALE	
CHANNEL#	0

Program each item as follows:

- **CHANNEL# (Use the numeric entry)**
Channel number (1 through 7)
When you program as "0", no RS-232 channel is assigned.

Tax Programming

Use the following procedure to select any option included in the tax group:

Procedure

```

SETTING      ↑↓
13 DEVICE CONFIG
14 TAX
15 CUSTOMER
16 BACKUP SEND
17 BACKUP RECEIVE
18 ONLINE CONFIG
    
```



```

TAX
1 TAX1
2 TAX2
3 TAX3
4 TAX4
5 TAX5
6 TAX6
    
```



```

TAX1
RATE SIGN
TAX RATE      0.0000%
LOW. TAX LIM  0.00
    
```

- From the SETTING menu, select "14 TAX."
 - The TAX menu will appear.

- Select any option from the following options list:

1 TAX1:	Tax 1	2 TAX2:	Tax 2
3 TAX3:	Tax 3	4 TAX4:	Tax 4
5 TAX5:	Tax 5	6 TAX6:	Tax 6

NOTE

If the **[DEL]** key is pressed on the tax number selection menu, the tax rate in the cursor position will be deleted.

- Program each item as follows:

• RATE SIGN (Use the selective entry)

- : Minus rate
- +: Plus rate

• TAX RATE (Use the numeric entry)

Tax rate (max. 7 digits: 0.0000 to 999.9999%)

• LOWER TAX LIMIT (Use the numeric entry)

Lowest taxable amount (max. 5 digits: 0.01 to 999.99)

- This option is not available in the VAT system.

Customer Programming

Use the following procedure to select any option included in the customer programming group:

Procedure

```

SETTING      ↑↓
13 DEVICE CONFIG
14 TAX
15 CUSTOMER
16 BACKUP SEND
17 BACKUP RECEIVE
18 ONLINE CONFIG
    
```



```

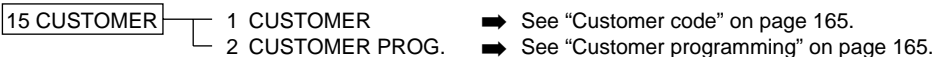
CUSTOMER
1 CUSTOMER
2 CUSTOMER PROG.
    
```

- In the SETTING window, select "15 CUSTOMER".

- Select an option from the following option list:

1 CUSTOMER:	Customer code
2 CUSTOMER PROG.:	Customer programming

The following illustration shows those options included in the customer programming group.



■ Customer code

Procedure

```

CUSTOMER
---NOTHING---
  
```

Selected
customer
code



```

0800000000075
NAM
  
```

Program each item as follows:

- **NAM (Use the character entry)**
Enter a customer's name (max. 16 characters)
- **ADDRESS (Use the character entry)**
On the second line, enter the customer's address (max. 40 characters)

■ Customer programming

Procedure

```

CUSTOMER PROG.
PERIOD(MONTH) 99
  
```

Program each item as follows:

- **PERIOD(MONTH) (Use the numeric entry)**
Preset a period to delete customer detail data.
Enter the period in a unit of month. (01 to 99)
If you enter "00", the customer detail data will not be deleted.

NOTE *If the following condition is satisfied, its code is deleted using the deleting operation.*

Date of the deleting (Year, Month) \geq Date of the last access (Year, Month) + programmed period + 1
[Ex.] Date of the deleting = (1 to 31)/8/2002, Period = 12 months:

Customer	Date of the last access	
Customer A	((1 to 30)/6/2001)	→ Deleted
Customer B	((1 to 30)/7/2001)	→ Deleted
Customer C	((1 to 30)/8/2001)	→ Kept intact

Backup Data Send Programming

Use the following procedure to select the menu option "16 BACKUP SEND":

■ Backup data send

Your POS terminal can send data to another device by RS232 (channel 2).

Procedure

SETTING	↑↓
13 DEVICE CONFIG	
14 TAX	
15 CUSTOMER	
16 BACKUP SEND	
17 BACKUP RECEIVE	
18 ONLINE CONFIG	



BACKUP SEND	
SEND DATA	ALL RAM
SPEED	PROGRAMMED

Program each item as follows:

• SEND DATA (Use the selective entry)

Select one of the following options (data sources):

ALL RAM
SSP

• SPEED (Use the selective entry)

Select one of the following options (data transmission speeds):

PROGRAMMED SPEED: Sends data at a programmed speed.
115200bps: Sends data at 115200 bps.
57600bps: Sends data at 57600 bps.
38400bps: Sends data at 38400 bps.
19200bps: Sends data at 19200 bps.
9600bps: Sends data at 9600 bps.
4800bps: Sends data at 4800 bps.
2400bps: Sends data at 2400 bps.

Backup Data Receive Programming

Use the following procedure to select the menu option "17 BACKUP RECEIVE":

■ Backup data receive

Your POS terminal can receive data from another device by RS232 (channel 2).

Procedure

SETTING	↑↓
13 DEVICE CONFIG	
14 TAX	
15 CUSTOMER	
16 BACKUP SEND	
17 BACKUP RECEIVE	
18 ONLINE CONFIG	



BACKUP RECEIVE	
SPEED	PROGRAMMED

Program each item as follows:

• SPEED (Use the selective entry)

Select one of the following options (data transmission speeds):

PROGRAMMED SPEED: Receives data at a programmed speed.
115200bps: Receives data at 115200 bps.
57600bps: Receives data at 57600 bps.
38400bps: Receives data at 38400 bps.
19200bps: Receives data at 19200 bps.
9600bps: Receives data at 9600 bps.
4800bps: Receives data at 4800 bps.
2400bps: Receives data at 2400 bps.

On-line Configuration Programming

Use the following procedure to select the on-line configuration programming.
Please consult your dealer for more details.

Procedure

SETTING	↑↓
13 DEVICE CONFIG	
14 TAX	
15 CUSTOMER	
16 BACKUP SEND	
17 BACKUP RECEIVE	
18 ONLINE CONFIG	



ONLINE CONFIG	↓
TERMINAL No.	000001
CI SIGNAL	NON
LINE FORM	FULL
BAUD RATE	9600 bps
START CODE	002
END CODE	013

1. In the SETTING window, select "18 ONLINE CONFIG".

- The ONLINE CONFIG window will appear.

2. Program each item as follows:

• **TERMINAL No. (Use the numeric entry)**

Terminal number (0 to 999999).

• **CI SIGNAL (Use the selective entry)**

Sensing of the CI signal

NON

SENSING

• **LINE FORM (Use the selective entry)**

Programming of the modem control

FULL: Full duplex system

HALF: Half duplex system

• **BAUD RATE (Use the selective entry)**

Transmission data rate

38400 bps 19200 bps 9600 bps

4800 bps 2400 bps 1200 bps

600 bps 300 bps

• **START CODE (Use the numeric entry)**

Start code (0 to 127)

• **END CODE (Use the numeric entry)**

End code (0 to 127)

• **TIME OUT (Use the numeric entry)**

Programming of the time-out time (1 to 255 sec.)

Automatic Sequencing Key Programming

If you program frequently performed key operations for the AUTO keys, you can enter those key operations simply by pressing the corresponding AUTO keys in key operations.

Procedure

Select "3 AUTO KEY" from the PGM2 menu.

▼

AUTO KEY
PUSH AUTO KEY

▼

01

▼

01	
01	7 KEY
02	00 KEY
03	DO 1
04	TL

To program an automatic sequencing key as follows:

1. Press a pertinent automatic sequencing key which you want to program.

AUTO
1

2. Enter the desired sequence to use the automatic sequencing key in the programmed sequence.

700 → 1 → TL

3. Press the automatic sequencing key again.

AUTO
1

4. Press the **CANCEL** key to finalize the programming.

Reading of Stored Programs

You can read programs stored in the PGM1 or PGM2 mode.

■ Program reading sequence

To read those programs stored in the PGM1 or PGM2 mode, use the following procedure:

1. Move the mode key to the PGM1 or PGM2 position.
2. Select "1 READING" from the PGM1 or PGM2 mode menu to display the items list.
3. Select an item listed in the table shown later.
4. Where "RANGE" and/or "PICK UP" are displayed on the screen, select either option. Select "RANGE" to read program by range, and "PICK UP" to read program by picking up codes. The procedure to specify a range or to pick up codes are the same as the one in sales report. On the table, for the item you can specify a range, "*1" is indicated, and for the item you can pick up codes, "*2" is indicated.

Item:	Description:	Available mode:
1 DEPT *1	Department	PGM1 or PGM2
2 PLU/EAN *1*2	PLU/EAN	PGM1 or PGM2
3 DYNAMIC EAN *1*2	Dynamic EAN	PGM1 or PGM2
4 LINK PLU TABLE *1	Link PLU table	PGM2
5 COMBO MEAL *1	Combo meal	PGM2
6 CONDIMENT TBL. *1	Condiment table	PGM2
7 PROMOTION TBL.	Promotion table	PGM2
8 EAN OTHERS	EAN other functions	PGM2
9 PLU MENU KEY	PLU menu key	PGM2
10 SCALE TABLE	Scale table	PGM2
11 FUNCTION	Function	PGM1 or PGM2
12 MEDIA	Media key	PGM2
13 CLERK	Clerk	PGM1 or PGM2
14 CASHIER	Cashier	PGM1 or PGM 2
15 OPTIONAL	Optional feature	PGM2
16 FUNCTION TEXT	Function text	PGM2
17 DEPT. GROUP	Department group	PGM2
18 PLU GROUP	PLU group	PGM2
19 MESSAGE	Message	PGM2
20 TAX	Tax	PGM2
21 AUTO KEY	Automatic sequencing key	PGM2
22 CUSTOMER	Customer	PGM2
23 CUSTOMER PROG.	Customer control	PGM2
24 DEVICE CONFIG	Device configuration	PGM2
25 DIRECT KEY	Direct key	PGM2
26 ONLINE CONFIG.	On-line configuration	PGM2
27 INLINE CONFIG.	In-line configuration	PGM2
28 MWS CONFIG.	MWS configuration	PGM2
29 VMP CONFIG.	VMP configuration	PGM2
30 ROM VERSION	ROM version	PGM2

■ Sample printouts

• Departments (PGM1 or PGM2 mode)

Operating mode*	*PGM2*		
Report type	DEPT		
Dept. code	D01	5. 00	Tax status
Description	DPT. 01	T1 G01	Unit price
	1000003	VO C1	Group no.
		KP001 L18	Commission group
			HALO limit
	D02	2. 50	Print station (Remote printer 1/2/receipt)
	DPT. 02	T 2 G02	Function programming
	1000003	VO C0	1 0 0 0 0 3
		KP001 L18	Amount entry type (open and preset/preset/open/inhibited)
			Receipt type (double/single)
			SIF/SICS/normal
	D03	3. 00	Scale status (Scale compulsory/enable/inhibited)
	DPT. 03	G03	Scale table no.
	1000003	VO C0	Item validation print (compulsory/non-compulsory)
		KP001 L18	Print on clerk report (Yes/no)
	D04	0. 00	
	DPT. 04	G01	
	1000001	VO C0	
		KP001 L18	
	D19	0. 00	
	DPT. 19	G01	
	1000001	VO C0	
		KP001 L18	
	D20	-3. 00	Minus department
	DPT. 20	G10	
	1000003	VO C0	
		KP001 L18	

* When you take this report in the PGM1 mode, the PGM2 indication is replaced by a "PGM1."

• PLU/EAN (PGM1 or PGM2 mode)

Report type	*PGM2*	Associated dept. code
Promotion table no.	PLU/EAN	Condiment table no.
PLU code	P00001	Menu type (space: normal PLU, L: link PLU table no., C: combo meal no.)
Group no.	G01 T1	Base q'ty
Description for price level 1	P1 PL00001	Pint base q'ty
Tare table no.	P2 PL00001 P2	Price 1
Commission group	P3 PL00001 P3	Price 2
	TO 000003 C1	Price 3
	M 5.000 S -3.000	Pint price 1
	P00002	Pint price 2
	G01 T1	Price 3
	P1 PL00002	Pint price 3
	P2 PL00002 P2	Print station (Remote printer 1/2/receipt)
	P3 PL00002 P3	Minimum stock/Stock
	TO 000003 CO	Tax status
	M 0.000 S 0.000	Function programming
	P00003	0 0 0 0 3 — Amount entry type
	G01	(open and preset/preset/open /inhibited)
		Scale status (compulsory/enable/inhibit)
		Condiment entry to menu item (compulsory/non-compulsory)
		Condiment type/non-condiment type
		Price shift (compulsory/inhibited/allowed)
		Printing on clerk report (Yes/no)

EAN code	M 0.000 S 0.000
	P00020
	G01
	P1 PL00020
	P2
	P3
	TO 000002 CO
	M 0.000 S 0.000
	5023456789102#
	G01 T1
	P1 ITEM-A P1
	P2 ITEM-A P2
	P3 ITEM-A P3
	TO 000002 CO
	M 5.000 S 0.000
	5056789123404#
	G01 T1
	P1 ITEM-B P1
	P2 ITEM-B P2
	P3
	TO 000002 CO
	M 0.000 S 0.000

NOTE The EAN codes are printed out in the sequence shown below.

EAN-13
EAN-8
UPC-A
UPC-E

Non-accessed EAN delete method (*: Non-delete, space: Delete in the Z1 mode)

• Dynamic EAN (PGM2 mode)

PGM2		
DYNAMIC EAN		
5067891234506#(O1)	#00/	1
G01 T1 P01 C00	/1.0	
P1 ITEM-J P1	1.00	
	0.00	
P2 ITEM-J P2	1.10	
	0.00	
P3 IEEM-J P3	1.50	
	0.00	
T0 000002 C1	KP001	

• Promotion table (Normal selling)(PGM2 mode)

PGM2		
PROMOTION TBL.		
#01		
SET 1	/ 3	1.00
		P00010
		P00011
		P00012
		P00020
#02		
SET 2	/ 5	2.10
		5012345678900#
		5023456789102#
		5056789123404#

• Link PLU table (PGM2 mode)

PGM2	
LINK PLU TABLE	
#01	P00015
	P00016
	P00017
	P00018
	P00019
#02	P00010
	P00011

• Promotion table (Set selling) (PGM2 mode)

PGM2		
PROMOTION TBL.		
#01		
SET 1		1.00
	/ 1	P00010
	/ 1	P00011
	/ 2	P00012
	/ 1	P00020
#02		
SET 2		2.10
	/ 1	5012345678900#
	/ 1	5023456789102#
	/ 2	5056789123404#

• Combo meal (PGM2 mode)

PGM2		
COMBO MEAL		
#01	P00001	1.10
	P00002	1.25
	P00003	2.20
	P00004	1.20
	P00005	1.75
#02	P00006	1.00
	P00007	2.10

• Condiment table (PGM2 mode)

PGM2	
CONDIMENT TBL.	
#01	P00015
	P00013
	P00017
	P00018
Text for #01	#04
#02	P00007
	P00008
	P00009
Text for #02	
#04	P00002
	P00003
Text for #04	

• Scale table (PGM2 mode)

PGM2		Report type
SCALE TABLE		Scale table no.
#1	0.752	Tare weight
#2	1.350	
#3	1.235	
#4	0.000	
#5	0.000	
#6	0.000	
#7	0.000	
#8	0.000	
#9	0.000	

• PLU menu key (PGM2 mode)

PGM2		Report type
PLU MENU KEY		Menu key no.
#01	MENU01	Menu title
	P00001	Menu item
	P00002	
	MENU02	
#02	MENU02	
	P00010	
	P00012	

• EAN functions (PGM2 mode)

PGM2		Report type
EAN OTHERS		Non-PLU format setting
EAN NON-PLU		
20	5 4 0 0 1 2	
02	4 5 0 0 1 2	
EAN DELETE		
	99	Delete period
PRESS CODE		Press code function
1	001	
2	001	
3	001	
4	001	
5	001	

• Functions (PGM1 or PGM2 mode)

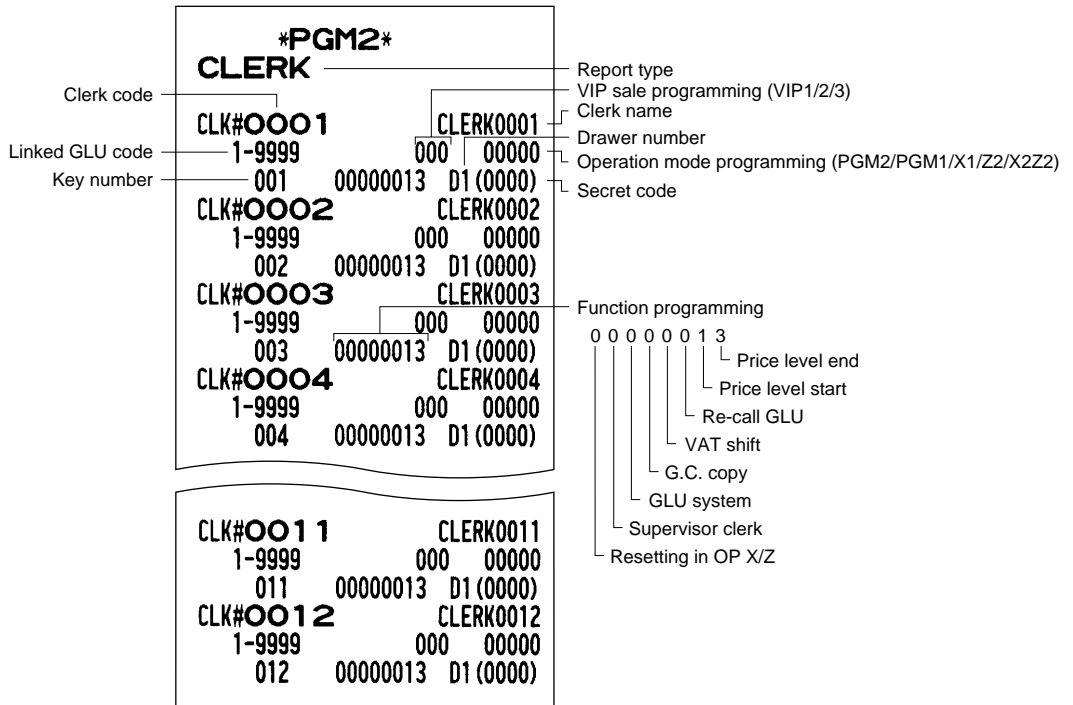
PGM2		Report type
FUNCTION		Sign (plus/minus)
(-) 1	-0.00	Function text
S	L18	Amount
(-) 2	-0.00	HALO
S	L18	Type
(-) 3	-0.00	I=Item
S	L18	S=Subtotal
(-) 4	-0.00	R=Received
S	L18	-on-account
(-) 5	-0.00	
S	L18	
%1	-0.00%	Rate
S	L100.00%	
%2	-0.00%	
S	L100.00%	
%3	-0.00%	
S	L100.00%	
%4	-0.00%	
S	L100.00%	
%5	-0.00%	
S	L100.00%	
COM. SAL1	0.000%	
COM. SAL2	0.000%	
COM. SAL3	0.000%	
COM. SAL4	0.000%	
COM. SAL5	0.000%	
COM. SAL6	0.000%	
COM. SAL7	0.000%	
COM. SAL8	0.000%	
COM. SAL9	0.000%	
SER. CHRG	0.00%	
CASH TIP	L18	
NOCA TIP	L18	
DEPOSIT	L18	
DEPO. (-)	L18	
***RA	L18	
***RA2	L18	
***PO	L18	
***PO2	L18	

• Media (PGM2 mode)

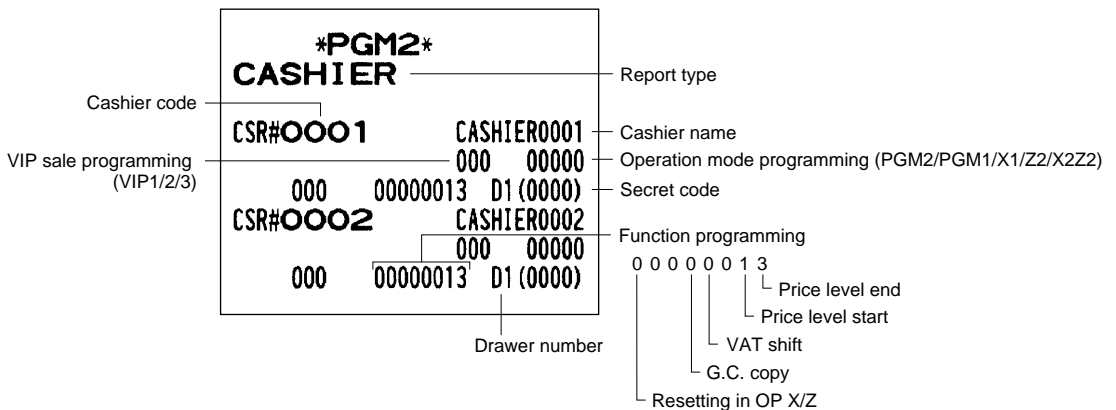
PGM2		Report type
MEDIA		
CASH	L18	Function text
	000010	
CASH2	L18	HALO
	000010	Programming
CASH3	L18	
	000010	
CASH4	L18	
	000010	
CASH5	L18	
	000010	
CHECK	L18	
US\$	00000010	
CHECK2	L18	
	00000010	
CHECK3	L18	
	00000010	
CHECK4	L18	
	00000010	
CHECK5	L18	
	00000010	
CREDIT1	L18	
	00000010	
CREDIT2	L18	
	00000010	
CREDIT3	L18	
	00000010	
CREDIT4	L18	
	00000010	
CREDIT5	L18	
	00000010	
CREDIT6	L18	
	00000010	
CREDIT7	L18	
	00000010	
CREDIT8	L18	
	00000010	
CREDIT9	L18	
	00000010	
CHARGE	L18	
	00000010	
***CID	999999.99	Sentinel
CHK/CG	999999.99	HALO
CA/CHK	999999.99	
CA/CHK2	999999.99	
CA/CHK3	999999.99	
CA/CHK4	999999.99	
CA/CHK5	999999.99	

CURRENCY			Rate
EXCH1	US\$	1.550220	2
EXCH2		0.000000	2
EXCH3		0.000000	2
EXCH4		0.000000	2
EXCH5		0.000000	2
EXCH6		0.000000	2
EXCH7		0.000000	2
EXCH8		0.000000	2
EXCH9		0.000000	2
			DRAWER1

• Clerk (PGM1 or PGM2 mode)



• Cashier (PGM2 mode)



• Optional features (PGM2 mode)

PGM2	
OPTIONAL	Report type
OPTIONAL	
FUNC. PROHIBIT	
OPX/Z REPORT	ENABLE
PAID OUT	PUBLIC
REFUND/RTN	PUBLIC
ISSUE ITM VD	PUBLIC
NO ISSUED VD	PUBLIC
SBTL VOID	PUBLIC
ITEM VP	ENABLE
INTERMED. GLU	PUBLIC
GLU FINALIZE	ENABLE
VIP SALES	PUBLIC
I. BILL FINAL	ENABLE
OPEN GLUDISP	DISABLE
EAN LEARNING	ENABLE
PRICE CHANGE	PUBLIC
CUSTOMER OPN	PUBLIC
FUNC. SELECT1	
RFND VP	NON-COMPUL.
(-) VP	NON-COMPUL.
DBL RCP HEAD	NORMAL
VAT SHIFT	BY CLERK
L. SFT TYPE	AUTO
LEVEL SHIFT	PUBLIC
RETURN TO L1	RECEIPT
PR. SFT TYPE	AUTO
PRICE SHIFT	PUBLIC
RETURN TO P1	BY ITEM
NON-TURNOVER	EX. VAT
QTY IN VIP	NON
CR IN RA/PO	NON
FUNC. SELECT2	
SHIFT KEY ACT	CAPS
T-LOG FULL	CONTINUE
PAY FOR EX1	CASH
EX1 CALC.	MULTI.
CLERK POPUP	DISABLE
ISBN PRICE	COMPUL.
VMP FULL	CONTINUE
ADD-ON FULL	ERROR
CUSTOMER DATA	DETAIL

PRINT SELECT1	
PURCHASE NO.	NO
TIME	YES
JOURNAL SEL.	FULL
JOURNAL SIZE	SMALL
VAT/TAX ON R/J	YES
TAXABLE ON R/J	YES
NET ON R/J	YES
VAT/TAX (BILL)	YES
TAXABLE (BILL)	YES
NET ON BILL	YES
TIME ON BILL	YES
TABLE# ON BILL	NO
BILL ON SLIP	YES
BILL ON RCPT	YES
INTERMED SLIP	YES
INTERMED RCPT	YES
PRINT SELECT2	
SEPARATER LINE	NO
LINK PLU	EACH PLU
FREE TEXT (KP)	YES
ITEM CODE (KP)	NO
PRICE ON KP	NO
AMOUNT ON KP	NO
GUEST# ON KP	NO
QTY1 ON KP	YES
TOTAL&CNG	WITH EX1
PAYMENT VP	WITH EX1
MAXIMUM TICKET	15
CUSTOMER REP.	CHARGE
EURO	
DATE	00/00/2000
TIME	00
PRICE CONVERT	YES
EURO JOB	COMPUL.
TERMINAL	
BILL NUMBER	0000
DRAWER ALARM	0
SCREEN SAVE	0

Drawer open alarm time

• Optional features (continued)

O SKIP		
CLERK		SKIP
CASHIER		SKIP
TRANSACTION		SKIP
DEPARTMENT		SKIP
PLU/EAN		SKIP
HOURLY		SKIP
DAILY NET		SKIP
GNR RPT FORMAT		
DEPARTMENT		NOT SKIP
TRANSACTION		NOT SKIP
TAX SALE		NOT SKIP
CID		NOT SKIP
DEPT Q' TY		NOT SKIP
DEPT. %SHARE		NOT SKIP
HOURLY RPT		
MEMORY TYPE		30
STARTING TIME		00
STACKED RPT		
1		
DEPT. /GROUP		01-10
DEPT. GR. TOTAL		
PLU		
	00001-	999999
2		
HOURLY		1000-1000
CHARGE ACCOUNT		
TL-ID		

Hourly report

Stacked report 1

Stacked report 2

• Function text (PGM2 mode)

PGM2		
FUNCTION TEXT		Report type
		Function text (default)
		Text (preset)
DISCOUNT	DISCOUNT	
TAX1 ST	TAX1 ST	
TAX2 ST	TAX2 ST	
TAX3 ST	TAX3 ST	
TAX4 ST	TAX4 ST	
TAX5 ST	TAX5 ST	
TAX6 ST	TAX6 ST	
VAT 1	VAT 1	
VAT 2	VAT 2	
VAT 3	VAT 3	
VAT 4	VAT 4	
VAT 5	VAT 5	
VAT 6	VAT 6	
NET1	NET1	
NET2	NET2	
CP PLU	CP PLU	
VD	VD	
SBTL VD	SBTL VD	
MGR VD	MGR VD	
VOID	VOID	
REFUND	REFUND	
RETURN	RETURN	
HASH VD	HASH VD	
HASH RF	HASH RF	
HASH RT	HASH RT	
NOTURNVD	NOTURNVD	
NOTURNRF	NOTURNRF	
NOTURNRT	NOTURNRT	
VAT SFT	VAT SFT	
TAX DELE	TAX DELE	
BILL CNT	BILL CNT	
NO SALE	NO SALE	
G.C. CNT	G.C. CNT	
***PBAL	***PBAL	
***NBAL	***NBAL	
SCM (+)	SCM (+)	
SCM (-)	SCM (-)	
EXCH1 IS	EXCH1 IS	
EXCH2 IS	EXCH2 IS	
EXCH3 IS	EXCH3 IS	
EXCH4 IS	EXCH4 IS	
EXCH5 IS	EXCH5 IS	
EXCH6 IS	EXCH6 IS	
EXCH7 IS	EXCH7 IS	
EXCH8 IS	EXCH8 IS	
EXCH9 IS	EXCH9 IS	
CA/CK IS	CA/CK IS	
CA/CK ID	CA/CK ID	
GUEST	GUEST	
NON COM.	NON COM.	
VIP1 SALE	VIP1 SALE	
VIP2 SALE	VIP2 SALE	
VIP3 SALE	VIP3 SALE	
ORDER TL	ORDER TL	
PAID TL	PAID TL	
TRAN. OUT	TRAN. OUT	
TRAN. IN	TRAN. IN	
TIP PAID	TIP PAID	
DOM. CUR1	DOM. CUR1	
DOM. CUR2	DOM. CUR2	
DOM. CUR3	DOM. CUR3	
DOM. CUR4	DOM. CUR4	
DOM. CUR5	DOM. CUR5	
DOM. CUR6	DOM. CUR6	
DOM. CUR7	DOM. CUR7	
DOM. CUR8	DOM. CUR8	
DOM. CUR9	DOM. CUR9	
*NT TL1	*NT TL1	
*NT TL2	*NT TL2	
*NT TL3	*NT TL3	
*CH ID	*CH ID	
*DEPT TL	*DEPT TL	
DEPT (-)	DEPT (-)	
*HASH TL	*HASH TL	
HASH (-)	HASH (-)	
*BTTL TL	*BTTL TL	
BTTL (-)	BTTL (-)	
NET 1	NET 1	
NET 2	NET 2	
NET 3	NET 3	
NET 4	NET 4	
NET 5	NET 5	
NET 6	NET 6	
SUBTOTAL	SUBTOTAL	
MDSE ST	MDSE ST	
***TOTAL	***TOTAL	
DIFF ST	DIFF ST	
NON-TURN	NON-TURN	
CHANGE	CHANGE	
CHECK PR	CHECK PR	
DUE	DUE	
TIP DUE	TIP DUE	
BALANCE	BALANCE	
ITEMS	ITEMS	
ITEM ST	ITEM ST	
COPY	COPY	
G.C COPY	G.C COPY	
B. T.	B. T.	
B. S.	B. S.	
INTERMED.	INTERMED.	
BILL	BILL	
VIP1 SALE	VIP1 SALE	
VIP2 SALE	VIP2 SALE	
VIP3 SALE	VIP3 SALE	
AVE.	AVE.	
CCD	CCD	
CCD DIF.	CCD DIF.	
DIF. TL	DIF. TL	
O-P	O-P	

• Function text (continued)

COM. AMT1	COM. AMT1
COM. AMT2	COM. AMT2
COM. AMT3	COM. AMT3
COM. AMT4	COM. AMT4
COM. AMT5	COM. AMT5
COM. AMT6	COM. AMT6
COM. AMT7	COM. AMT7
COM. AMT8	COM. AMT8
COM. AMT9	COM. AMT9
COM. TTL	COM. TTL
BILL BAL	BILL BAL
FREE GLU	FREE GLU
OLD BAL.	OLD BAL.
BALANCE	BALANCE
SCM TTL	SCM TTL
T. TABLE	T. TABLE
T. GUEST	T. GUEST
T. BILL	T. BILL
I. GUEST	I. GUEST
I. BILL	I. BILL
AVE. ITEM	AVE. ITEM
TTL TAX	TTL TAX
NET	NET
TOWNNAME	TOWNNAME
TOWNNAME	TOWNNAME
TRANSFER	TRANSFER
GLU#	GLU#
PINT SAL	PINT SAL
TARE WT.	TARE WT.
RCP SW.	RCP SW.
RST SBTL	RST SBTL
RESET TL	RESET TL
MISOP TL	MISOP TL
COMBO	COMBO
VOID	VOID
REFUND	REFUND
RETURN	RETURN
NEW CODE	NEW CODE
CHARGE	CHARGE
DEDUCTION	DEDUCTION
PR. CHNG	PR. CHNG

• Department group text (PGM2 mode)

PGM2	
DEPT. GROUP	
GROUP1	GROUP1
GROUP2	GROUP2
GROUP3	GROUP3
GROUP4	GROUP4
GROUP5	GROUP5
GROUP6	GROUP6
GROUP7	GROUP7
GROUP8	GROUP8
GROUP9	GROUP9

Report type
Function text (default)
Text (preset)

• PLU group text (PGM2 mode)

PGM2	
PLU GROUP	
PLU GR00	PLU GR00
PLU GR01	PLU GR01
PLU GR02	PLU GR02
PLU GR03	PLU GR03

Report type
Function text (default)
Text (preset)

PLU GR95	PLU GR95
PLU GR96	PLU GR96
PLU GR97	PLU GR97
PLU GR98	PLU GR98
PLU GR99	PLU GR99

• Message (PGM2 mode)

PGM2	Report type
MESSAGE	
RECEIPT LOGO	
SHARP	Receipt logo text
PRESENTS THE	
UP-600	
SHARP	
IS THE	
BEST	
FREE TEXT	Free text
#01	
TEXT01	

#99	
TEXT99	
VP TEXT	VP text
FOR DEPOSIT ONLY	
SLIP TEXT	Slip text
SLIP FOOTER	Slip footer
PAYEE NAME	Payee name for English check
E. BILL MESSAGE	Entertainment bill message

• AUTO key (PGM2 mode)

PGM2	Report type
AUTO KEY	
#01	AUTO key no.
	Key operation
P00001	
P00002	
2 KEY	
5 KEY	
PLUEAN	
TL	

#02	
<hr/>	
#09	----
#10	----

• Tax rate (PGM2 mode)

PGM2	Report type
TAX	
TAX1	Tax no.
7.5000 %	Rate
0.10	Lowest taxable amount
TAX2	
3.0000 %	
0.10	
TAX3	
4.0000 %	
0.15	
TAX4	
5.0000 %	
0.21	
TAX5	
2.0000 %	
0.13	
TAX6	
-1.0000 %	
0.11	

• Device configuration (PGM2 mode)

PGM2		Report type
DEVICE CONFIG		
R/J PRINTER	NOT PRINT	
IMAGE FOOTER	70mm/s 50	
	YES	Auto cutter
SLIP PRINTER	T#000-C#1	Device name
TM-295	00 99 1	Initial slip feed line no.
KP#1	T#000-C#0	No. of times of VP
BUILT-IN	YES	Maximum line nos. of slip printing
	0	
ADDITION	ONE	Paper type
	00	
KP#2	---	
KP#3	---	
KP#4	---	
KP#5	---	
KP#6	---	
KP#7	---	
KP#8	---	Channel no.
KP#9	---	Data bit/Stop bit
BCR (SCANNER)	C#2 71 ODD	Parity
	4800bps	Baud rate
SCALE	---	
ONLINE	C#3	

• Direct key (PGM2 mode)

PGM2		Report type
DIRECT KEY		
001	----	Key no.
002	----	
003	----	
004	----	
005	----	
041	----	
042	----	PLU level
043	----	
044	L 1 P00001	PLU code
	L 2 ----	
	L 3 ----	
045	L 1 P00002	
	L 2 ----	
	L 3 ----	
046	L 1 P00003	
	L 2 ----	
	L 3 ----	
142	L 3 ----	
	L 1 P00099	
	L 2 ----	
	L 3 ----	

• Customer (PGM2 mode)

```

*PGM2*
CUSTOMER _____ Report type

#0800000000020 _____ Customer code
NAME20 _____ Customer name
ADDRESS20 _____ Customer address
#0800000000075
NAME75
ADDRESS75
    
```

• On-line configuration (PGM2 mode)

```

*PGM2*
ONLINE PRESET
TERMINAL No.      000001
MODEM CONTROL    00
BPS              5
START CODE       002
END CODE         013
TIME OUT         007
OPEN STORE
CLOSE STORE
    
```

• Customer control (PGM2 mode)

```

*PGM2*
CUSTOMER PROG. _____ Report type

99 _____ Non-accessed
                customer delete
                period
    
```

• ROM version (PGM2 mode)

```

*PGM2*
VERSION
IPL Version      10 UP-600/700
PROGRAM Version
  27801RAP1A UP-600/700
  27801RAQ1A UP-600/700
  27801RAQ1A UP-600/700
BLOCK Version
  20=00, 21=00, 22=00, 23=00
  24=00, 25=00, 26=00, 27=00
  28=00, 29=00, 2A=00, 2B=00
  2C=00, 2D=00, 2E=00, 2F=00
  30=00, 31=00, 32=00, 33=00
  34=00, 35=00, 36=00, 37=00
  38=00, 39=00, 3A=00, 3B=00
  3C=00, 3D=00, 3E=00, 3F=00
Installed SSP
    
```


12

European Article Number (EAN) or Universal Product Code (UPC)

■ EAN or UPC code

Your machine can transact the following codes:

- UPC-A (Number system character: 0, 2, 3, 4) • UPC-E
- EAN-8 • EAN-13 • Internal code EAN-8/EAN-13

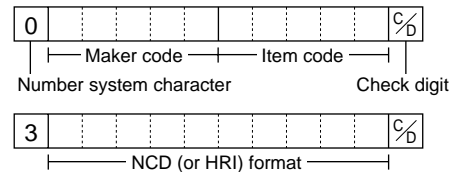
For the codes used in-store marking, there are two types of PLU type (treated as a code like PLU code) and Non-PLU type (price/quantity information is included in the code).

When a code is non-PLU type, the price/quantity in the code is read for sales entry (in case of quantity, "quantity multiplies preset unit price" is processed to obtain price.)

UPC-A

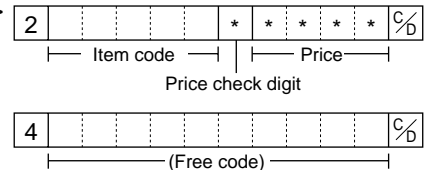
- Number system character: 0 <used in the source marking>
- Number system character: 3 <used as NDC or HRI>

For entry, a full 12 digits number or 11 digits number (omitting the check digits) must be entered.



- Number system character: 2 <In-store marking Non-PLU type>
You can program the format in "EAN NON-PLU" in ARTICLE setting.
- Number system character: 4 <In-store marking PLU type>

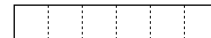
For entry, a full 12 digits number, 11 digits number (omitting the check digit), or a leading zero plus 12 digits number must be entered. (Any numbers are allowed for the digits marked with *, and on the receipt/journal, non-PLU type code is printed like 2020008**** (****: price information).)



UPC-E

- UPC-E is a zero-suppressed version of UPC-A that conforms to the UPC-E Standards. This code is used for marking small package.

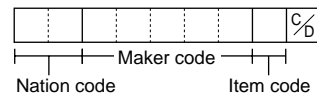
For entry, a 6 digits number or a leading zero plus 6 digits number must be entered.



EAN-8

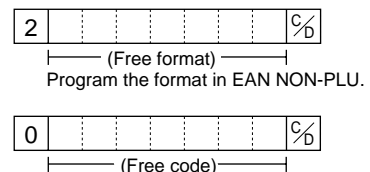
- Ordinary EAN-8 code (flag: neither 0 nor 2) <used in the source marking>

For entry, a full 8 digits number must be entered.



- Internal code (flag 2) <in-store marking non-PLU short type>
Program the format in "EAN NON-PLU" in ARTICLE setting.
- Internal code (flag 0) <in-store marking PLU short type>

For entry, a full 8 digits number must be entered. On the receipt/journal, non-PLU type code is printed like 208**** (****: price/quantity information)



■ Add-on code

UPC-A and EAN-13 may be followed by a two digits number or a five digits number as add-on code, excepting UPC-A without a check digit plus two or five digits add-on code.

Therefore, the total number of digits enterable for sales entries are as shown below:

Code entry	No add-on code	2-digit add-on code	5-digit add-on code
UPC-A	12	14	17
UPC-A w/leading zero	13	15	18
UPC-A w/o check digit	11	–	–
UPC-E	6	–	–
EAN-8	8	–	–
EAN-13	13	15	18

NOTE

Your register automatically judges the add-on code in an EAN code entered from the total number of digits and the flag.

■ EAN file

Your POS terminal has an EAN main file and can provide a Dynamic EAN (D-EAN) file.

EAN main file

In general use, all EAN items are managed in the EAN main file.

The programming data and sales information is recorded in the EAN main file.

Dynamic EAN file

If an dynamic EAN file is allocated, the items entered by EAN learning function (refer to “EAN learning function” section.) are saved in this file temporarily. (If not generated, they are directly saved in the EAN main file.) The data saved temporarily can be transferred to the EAN main file when necessary by executing D-EAN LOAD in the PGM2 mode.

If you want to use the dynamic EAN file, consult your authorized SHARP dealer.

13

EURO Migration Function

Basically your POS terminal can be automatically modified to correspond to the introduction of EURO by executing the operation "EURO STATUS" in X2/Z2 mode. However, there are several options you must set depending on your need. So, please carefully conduct necessary settings.

For details, contact your authorized SHARP dealer.

EURO status:

You can select status from following 4 types ((A), (B), (C), or (D)). And the selectable type is decided as follows for each status. Type (A) is the base status (initial status).

From type (A) — selectable —> Type (B), (C), or (D)

From type (B) — selectable —> Type (C), (D)

From type (C) — selectable —> Type (D)

Items	Type (B)	Type (C)	Type (D)
General Z1 report	ISSUE	ISSUE	ISSUE
General Z2 report	ISSUE	ISSUE	ISSUE
GT1/GT2/GT3 memory	—	CLEAR	CLEAR
Exchange1 amount printing for total and change	YES	YES	NO
Exchange1 amount printing for total validation print	YES	YES	NO
Exchange1 calculation method	DIVISION	MULTI	MULTI
Domestic currency symbol	—	[EURO]	[EURO]
Domestic TAB	—	2	2
Conversion of preset prices of Dept./PLU/EAN*	—	YES	YES
Exchange1 currency descriptor	[EURO]	The current domestic currency symbol	—
Exchanger1 TAB	2	The current domestic TAB	—

The marked items "—" is remaining the current data.

*: The preset rate of the [EX1] key is applied as the conversion rate and the calculation method is set to "division". When the conversion has been made, the message "PRICE CONVERTED" is printed on the report.

Setting the date and time when the automatic EURO modification operation should be executed

To certainly execute the automatic modification operation, you can program the scheduled date and time to execute the automatic EURO modification operation. From ten days before the preset date, the remaining days are printed at the bottom of the daily full resetting report.

CA/CK ID	*1518.06
CHK/CG	*479.69

EURO START	
01/01/2002 10:00	
DAYS TO EURO	<10>

Date and time setting will be reset after the execution of automatic modification operation, and again you can program the date and time for the next automatic modification operation.

Also you can make the automatic EURO modification operation compulsory. When the above-mentioned preset date and time has come, and also when you start an entry in the REG/MGR mode, the error message "EURO CHANGE ENTRY COMPULSORY" will be displayed. You cannot start any operation in the REG/MGR mode until you make the operation.

Automatic EURO modification operation

1. Move the mode key to the X2/Z2 position.
2. Select "8 EURO STATUS" from the menu.
3. Select the status you want to set (B, C or D) referring to the table above. Press the key to toggle the options.

Please note that once you set a status, you cannot return to the previous status(es).

Important note

As for the miscellaneous keys, such as and keys, and for the HALO setting, the automatic conversion will not be made. You need to change the % rates or amounts in the PGM1/PGM2 mode after the execution of the automatic modification operation for EURO so that they are based on amounts in EURO.

NOTE

It is executed some of following operation which is needed for each status.

- (1) Issue general Z1 report.
- (2) Issue general Z2 report.
- (3) Clear GT1/GT2/GT3.
- (4) Change PGM function "Total and change amount printing — With foreign/Domestic only".
- (5) Change PGM function "Exchange1 amount printing for total validation print — YES/NO" and "Total validation print amount printing — With foreign/Domestic only".
- (6) Change PGM function "Exchange1 calculation method — Division/Multiplication".
- (9) Change PGM function "Converting the preset unit prices of departments/PLUs/EANs to the ones in EURO currency - YES/NO.
- (10) Set "Exchange1 currency descriptor" as the suitable data.
- (11) Set "Exchange1 TAB as the suitable

NOTE

This job cannot set the following additional EURO function. You must set the following items by each programming after executing the automatic EURO modification operation.

- (1) Exchange1 rate,
- (2) "Check, Credit operation for Exchange1 — YES/NO"
- (3) Foreign currency drawer number (if installed)

Also when you are using any of the through keys, you must change these rates.

14 Operator Maintenance

In Case of Power Failure

When power is lost, the POS terminal retains its memory contents and all information on sales entries.

- When power failure is encountered in POS terminal idle state or during an entry, the POS terminal returns to the normal state of operation after power recovery.
- When power failure is encountered during a printing cycle, the register prints "======" and then carries out the correct printing procedure after power recovery. (See the sample print.)

1x 10.00	
DPT. 01	*10.00
1x 1.50	
PL00005	*1.50
=====	
CASH	*11.50
=====	
CASH	*11.50

In Case of Printer Error

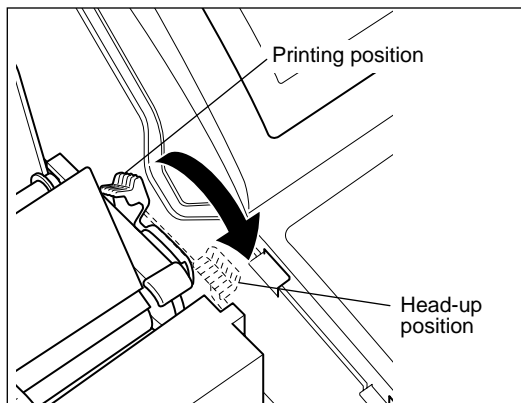
If the printer runs out of paper, the printer will stall, and "PAPER EMPTY" will appear on the display. Key entries will not be accepted. Referring to "Installing and Removing the Paper Roll" in this chapter, install a new paper roll in the proper position, then press the **CL** key. The printer will print the power failure symbol and resume printing.

If the print head comes up, the printer stalls, and "HEAD UP" will appear on the display. Key entries will not be accepted. Bring back the print head to the correct position, then press the **CL** key. The printer will print the power failure symbol and resume printing.

Thermal Printing

Your POS terminal prints by means of thermal printing. The print head applies heat to thermal paper which is chemically treated to change color when heated to a certain level. This creates the printed text.

■ Cautions in handling the printer



- If you are not going to use the POS terminal for an extended period of time, pull the print head release lever toward you so that the print head is set apart from the plate.

- Avoid the following environments:
 - Dusty and humid places
 - Direct sunlight
 - Iron powder (A permanent magnet and electromagnet are used in this machine.)
- Use the print head release lever only when necessary.
- Never pull the paper when it is in contact with the print head. First release the head with the print head release lever, and then remove the paper.
- Never touch the surface of the print head.
- Never touch around the print head and the motor during printing or before they have had sufficient time to cool.

■ Cautions in handling the recording paper (thermal paper)

- Use only the paper specified by SHARP.
- Do not unpack the thermal paper until you are ready to use it.
- Avoid heat. The paper will color at around 70°C.
- Avoid dusty and humid places for storage. Avoid direct sunlight.
- The printed text on the paper can discolor under the following conditions:
 - Exposure to high humidity and temperature
 - Exposure to the direct sunlight
 - Contact with glue, thinner or a freshly copied blueprint.
 - Heat caused by friction from scratching or other such means.
 - Contact with a rubber eraser or adhesive tape.
- Be very careful when handling the thermal paper. If you want to keep a permanent record, copy the printed text with a photocopier.

Installing and Removing the Paper Roll

■ Recording paper specifications

Be sure to use paper rolls specified by SHARP.

The use of any other paper rolls than specified could cause paper jamming, resulting in POS terminal malfunction.

Paper specification

Paper width:	57.5 ± 0.5 mm
Max. outside diameter:	80 mm
Quality:	Thermal paper
Paper tube:	18 mm

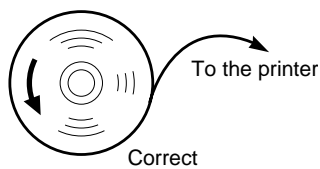
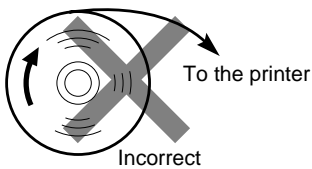
- Be sure to set paper roll(s) prior to using your machine, otherwise it may cause a malfunction.

Install the paper roll in the printer. Be careful then to set the roll and cut the paper end correctly.

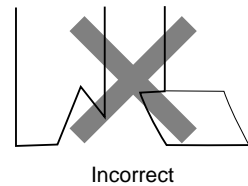
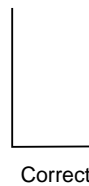
NOTE

If the top end of the paper roll is fixed with paste or tape, the paper may lose its color development ability in the pasted or taped area due to the deterioration of the heat-sensitive color development component of the paper surface. This may result in nothing appearing at this location when printing is performed. Therefore, when setting a new paper roll in the machine, be sure to cut off approximately one revolution (approx. 25 cm long).

(How to set the paper roll)

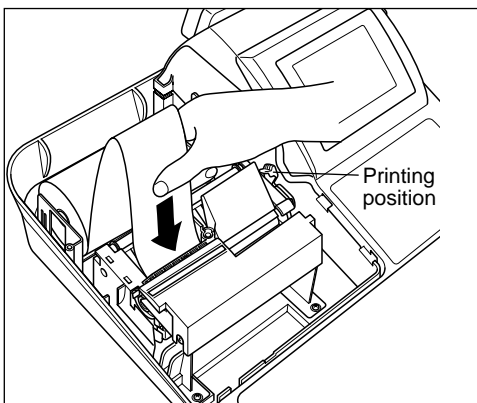


(How to cut the paper end)



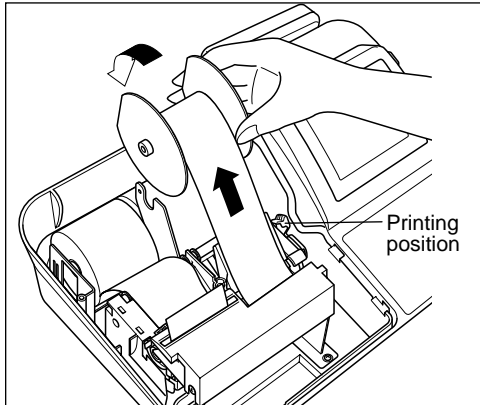
■ Installing the paper roll


Installing the receipt paper roll



1. Turn the mode switch to the "REG" position with the AC cord connected and the power switch "ON".
2. Remove the printer cover.
3. Check that the print head release lever is in its printing position.
4. Set the paper correctly as illustrated above in the receipt side of the printer.
5. Insert the end of the paper into the paper chute as shown on the left. It will automatically be fed through the printer.
6. Cut off the excess paper that comes out of the printer with the manual cutter.
7. Replace the printer cover.

Installing the journal paper roll



1. Turn the mode switch to the “REG” position with the AC cord connected and the power switch “ON”.
2. Remove the printer cover.
3. Check that the print head release lever is in its printing position.
4. Set the paper correctly as illustrated on the previous page in the journal side of the printer.
5. Insert the end of the paper into the paper chute as shown on the left. It will automatically be fed through the printer.
6. Insert the end of the paper into the slit in the paper take-up spool. (Press the  key to feed more paper through if required.)
7. Wind the paper two or three turns around the spool shaft.
8. Set the spool on the bearing.
9. Replace the printer cover.

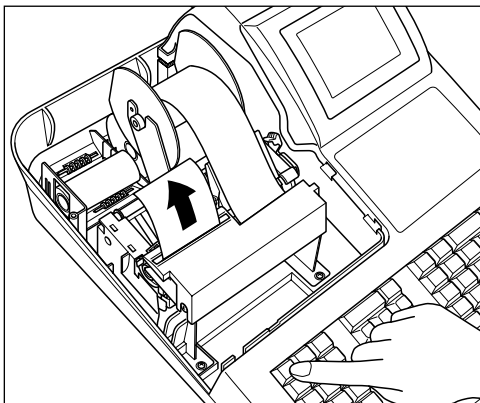
- When you want to manually install a new roll of paper while your machine is turned off, follow the steps shown below:


- 1 Pull the print head release lever toward you to lift up the print head.
2. Correctly place the new paper roll into the receipt/journal paper roll location.
3. Insert the paper end into the paper chute until it comes out of the printer.
4. Cut or roll the paper onto the take-up spool as described for automatic installation.
5. Return the print head release lever to its original position.

■ Removing the paper roll

When a red dye appears on the paper roll, it is time to replace the existing paper roll. Replace the paper roll with a new one. If you plan not to use your POS terminal for an extended period of time, remove the paper roll, and store it in the appropriate place.

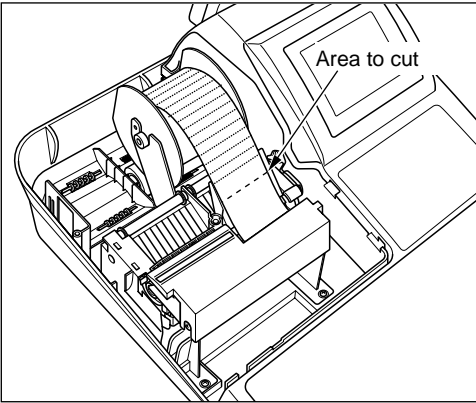
Removing the receipt paper roll




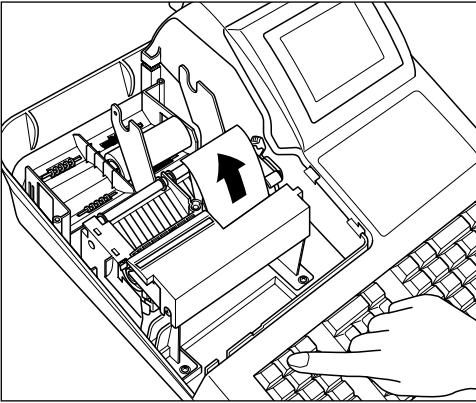
1. Remove the printer cover.
2. Cut the paper behind the printer and near the paper roll.
3. Press the  key until the paper remaining in the printer comes out completely.
4. Remove the paper roll from the back of the printer.


NOTE Do not pull the paper through the printer.

Removing the journal paper roll

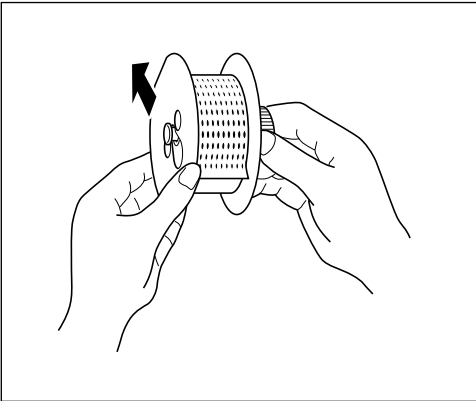


1. Remove the printer cover.
2. Press the  key to advance the journal paper until its printed part is out of the way.
3. Cut the paper and remove the take-up spool.

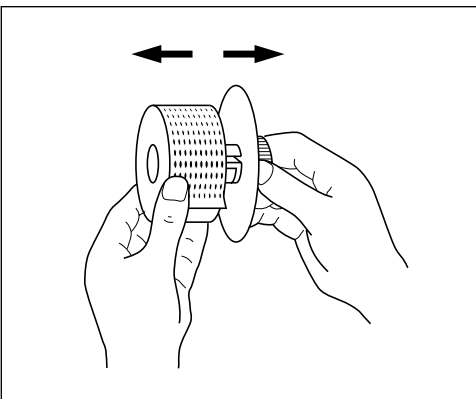


4. Cut the paper behind the printer and near the paper roll.
5. Press the  key until the paper remaining in the printer comes out completely.
6. Remove the paper roll from the back of the printer.

NOTE Do not pull the paper through the printer.



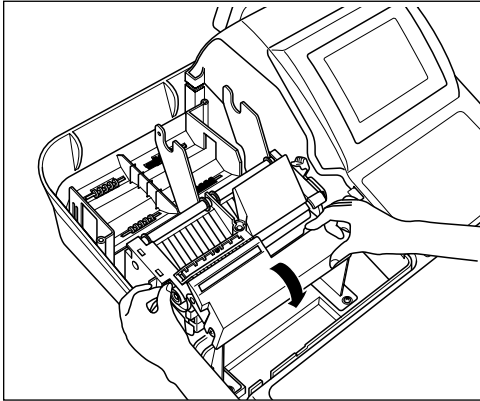
7. Remove the outer side of the take-up spool as shown on the left.



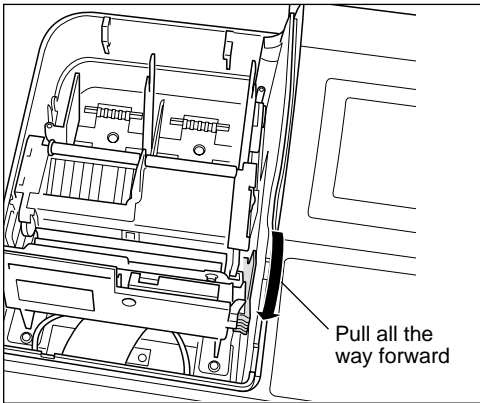
8. Remove the printed journal roll from the take-up spool.

■ Removing a paper jam

Precaution: Be very careful with the manual cutter, so as not to cut yourself. Never touch the print head immediately after printing, because the head may still be hot.



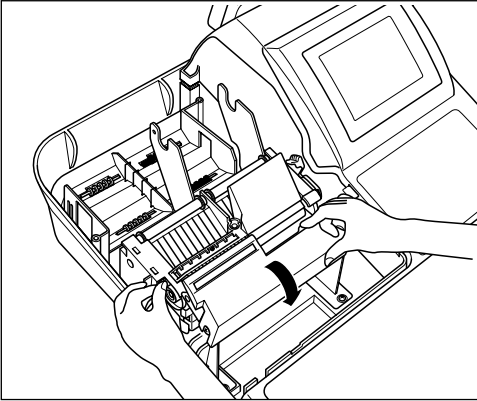
1. Remove the printer cover.
2. Remove the receipt paper, and if the paper jam is at journal paper, remove the journal paper, too.
3. While pushing the tab, pull up the paper guide.



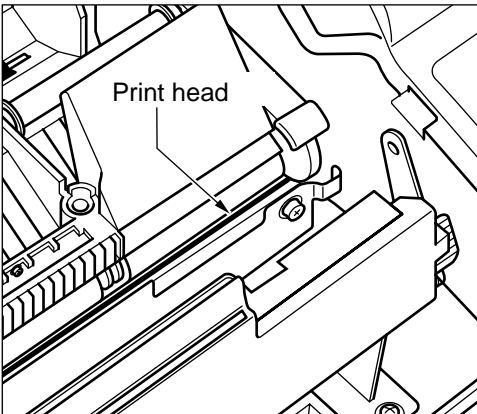
4. Pull the print head release lever all the way forward (after it stops at one position, continue pulling forward until it stops again and cannot be pulled forward any further).
5. Remove the paper jam. Check for and remove any shreds of paper that may remain in the printer.
6. Return the print head release lever to its original position.
7. Return the paper guide to its original position. Make sure the metal part is surely hooked to the tab.
8. Reset the paper roll(s) correctly by following the steps in "Installing the paper roll".
9. Replace the printer cover.

Cleaning the Print Head

When the printed text is getting dark or faint, paper dust may be stuck to the print head. Clean the print head as follows:



1. Turn the mode switch to the “ Φ ” position.
2. Remove the printer cover.
3. Remove the paper(s).
4. While pushing the tab, pull up the paper guide.
5. Pull the print head release lever all the way forward (after it stops at one position, continue pulling forward until it stops again and cannot be pulled forward any further).



6. Clean the print head with a soft rag moist with ethyl alcohol or isopropyl alcohol.
7. Return the print head release lever to its original position immediately after cleaning.
8. Return the paper guide to its original position. Make sure the metal part is surely hooked to the tab.
9. Reset the paper roll(s) correctly by following the step in “Installing the paper roll”.
10. Replace the printer cover.

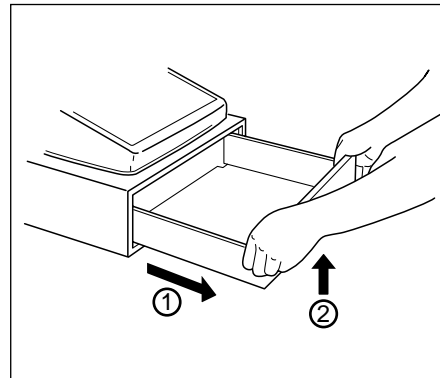
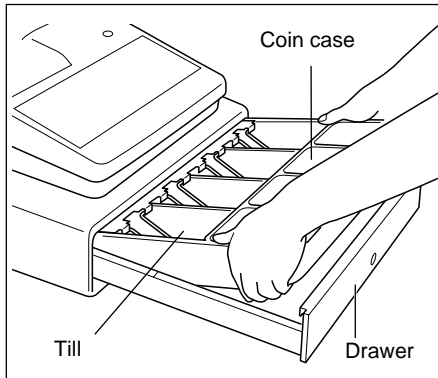
Precautions:

Never touch the print head with a tool or anything hard as it may damage the head.

Removing the Till and the Drawer

NOTE This section is only for the POS terminal with a drawer.

The till in the pos terminal is detachable. After closing your business for the day, remove the till from the drawer and keep the drawer open. The coin case is also detachable from the till. To detach the drawer, pull it forward fully with the till removed, and remove it by lifting it up.

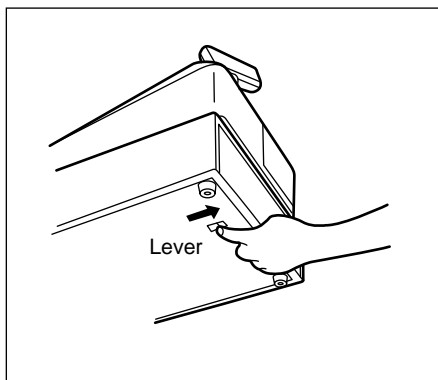


Operating the Drawer by Hand

NOTE This section is only for the POS terminal with a drawer.

The drawer automatically opens in the usual way. However, when power failure is encountered or the machine becomes out of order, slide the lever located on the machine bottom toward the rear. (See the figure below.)

The drawer will not open, if it is locked with a drawer lock key.



Before Calling for Service

The malfunctions shown in the left-hand column below, labeled "Fault," do not necessarily indicate functional faults of the machine. It is therefore advisable to refer to the "Checking" shown in the right-hand column before calling for service.

Fault	Checking
<ul style="list-style-type: none"> The display won't be illuminated even when the mode switch is turned to any other position than "⊕". 	<ul style="list-style-type: none"> Is power supplied to the electric outlet? Is the power cord plug out or loosely connected to the electrical outlet? Is the power switch in the "ON" position? Are the contrast control adjusted correctly? Is the terminal in screen-save mode?
<ul style="list-style-type: none"> The display is illuminated, but the whole machine refuses entries. 	<ul style="list-style-type: none"> Is a cashier code assigned to the POS terminal? Is a clerk code assigned to the POS terminal? Is the mode switch set properly at the "REG" position?
<ul style="list-style-type: none"> No receipt is issued. 	<ul style="list-style-type: none"> Is the receipt paper roll properly installed? Is there a paper jam? Is the receipt function in the "OFF" status? Is the print head release lever at the printing position?
<ul style="list-style-type: none"> No journal paper is taken up. 	<ul style="list-style-type: none"> Is the take-up spool installed on the bearing properly? Is there a paper jam?
<ul style="list-style-type: none"> Printing is unusual. 	<ul style="list-style-type: none"> Is the print head release lever at the printing position? Is the paper roll properly installed?

15 Options

List of Options

For your UP-600 POS terminal, the following options are available:

For details, contact your authorized SHARP dealer. Do not try to install any options yourself.

- RAM memory board model UP-S02MB, UP-S04MB
- Remote drawer model ER-03DW, ER-04DW or ER-05DW
- Magnetic card reader model UP-E13MR
- Remote customer display model UP-P16DP (Pole type)
- EFT terminal I/F model ER-01EF
- Two-port RS-232 interface model ER-A5RS
- Inline communication model UP-E10IN
- Barcode reader model ER-A6HS1
- Expand key kit ER-11KT7, 12KT7 and 22KT7
- Dummy key kit ER-11DK7G and 51DK7G

16 Specifications

Model:	UP-600	
Dimensions:	<ul style="list-style-type: none"> • Machine equipped without a drawer 340 (W) x 433 (D) x 252 (H) mm 340 (W) x 433 (D) x 202 (H) mm (Projection not included) • Machine equipped with a drawer 420 (W) x 448 (D) x 356 (H) mm 420 (W) x 448 (D) x 306 (H) mm (Projection not included) 	
Weight:	6.7 kg (Machine equipped without a drawer) 14.9 kg (Machine equipped with a drawer)	
Power source:	Official (nominal) voltage and frequency	
Power consumption:	Stand-by: 18W Operating: 66W (max.) (In case the official voltage is 220–230V.) 68W (max.) (In case the official voltage is 230–240V.)	
Working temperatures:	0 to 40 °C	
Electronics:	LSI (CPU) etc.	
Built-in battery:	Rechargeable battery pack, memory holding time of about 1 month (with fully charged built-in battery pack, at room temperature)	
Display:	Operator display:	LCD display 83.18 (W) X 55.18 (H) (0.24 X 0.21 mm/pixel) Dark blue and white
	Customer display:	7-segment display (7 positions)
Printer:	Type:	2-station thermal printer
	Printing speed:	Approx. 17 lines/second
	Printing capacity:	30 digits each for receipt and journal paper
	Other functions:	<ul style="list-style-type: none"> • Graphic logo printing function • Logo message function • Receipt (ON-OFF) function, journal selective function • Receipt and journal independent paper feed function
Paper roll:	Width: 57.5 ± 0.5 mm Max. diam.: 80 mm Quality: High quality (0.06 to 0.08 mm thickness)	
Cash drawer:	4 slots for bill and 8 for coin denominations	
Accessories:	Manager key	2
	Submanger key	2
	Operator key	2
	Printer cover key	2
	Paper roll	2
	Take-up spool	1
	Instruction manual	1 copy
	Drawer lock key	2
	Bill separator	1
		} Only for the machine } equipped with a drawer

* Specifications and appearance subject to change without notice for improvement.

FOR CUSTOMERS IN U.K.

IMPORTANT

The wires in this mains lead are coloured in accordance with the following code:

BLUE:	Neutral
BROWN:	Live

As the colours of the wires in the mains lead of this apparatus may not correspond with the coloured markings identifying the terminals in your plug proceed as follows.

The wire which is coloured **BLUE** must be connected to the terminal which is marked with the letter **N** or coloured black.

The wire which is coloured **BROWN** must be connected to the terminal which is marked with the letter **L** or coloured red.

The apparatus must be protected by a 3A fuse in the mains plug or distribution board.

CAUTION: DO NOT CONNECT THE LIVE (BROWN) WIRE OR THE NEUTRAL (BLUE) WIRE TO THE EARTH TERMINAL OF YOUR 3-PIN MAINS PLUG.

Environment Protection

The device is supported by a battery. To dispose the battery safely to protect the environment, please note the following points:

- Take the used battery to your local waste depot, dealer or customer service centre for recycling.
- Do not throw the used battery into fire, into water or into the household waste!

Umweltschutz

Das Gerät wird durch eine Batterie gestützt. Um die Batterie sicher und umweltschonend zu entsorgen, beachten Sie bitte folgende Punkte:

- Bringen Sie die leere Batterie zu Ihrer örtlichen Mülldeponie, zum Händler oder zum Kundenservice-Zentrum zur Entsorgung.
- Werfen Sie die leere Batterie niemals ins Feuer, ins Wasser oder in den Hausmüll.

Protection de l'environnement

L'appareil est supporté sur pile. Afin de protéger l'environnement, nous vous recommandons de traiter la pile usagée la façon suivante:

- Apporter la pile usagée à votre centre de traitement des ordures ménagères le plus proche ou, à votre revendeur ou, au service après-vente, pour recyclage.
- Ne jamais jeter la pile usagée dans une source de chaleur, dans l'eau ou dans les vide-ordures.

Miljöskydd

Denna produkt nöddrivs av batteri.

Vid batteribyte skall följande iakttas:

- Det förbrukade batteriet skall inlämnas till er lokala handlare eller till kommunal miljöstation för återinsamling.
- Kasta ej batteriet i vattnet eller i hushållssoporna. Batteriet får ej heller utsättas för öppen eld.

SHARP®
SHARP CORPORATION