
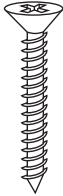
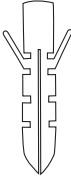



Peak Pyramid™

Peak Pyramid™ Installation Guidelines

The following instructions are provided to assist you in installing the Peak Pyramid panels in a drop tile ceiling or on a wall. The most effective installation is generally above or behind a critical listening position.

(4) Peak Pyramid	(16) Mounting Screws	(16) Wall Anchors	(16) Cork Plugs
			

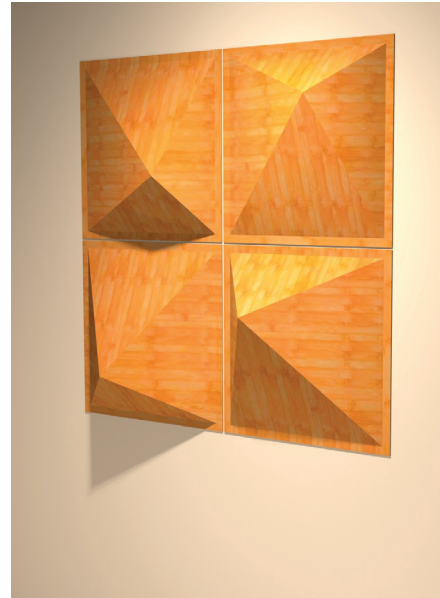
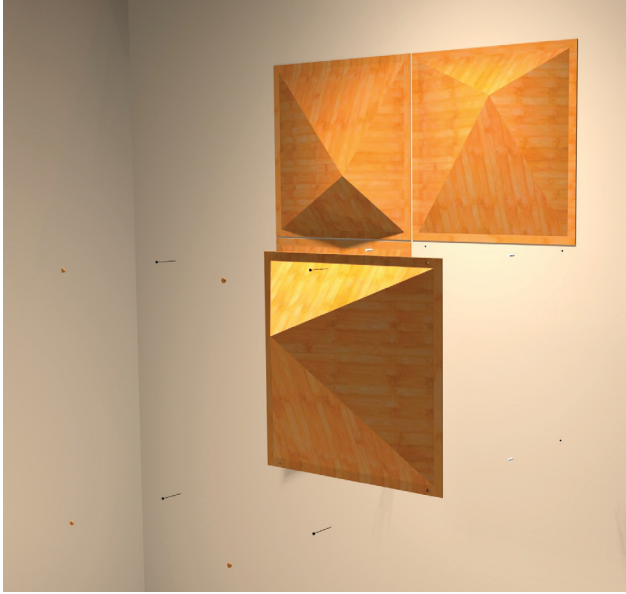
Additional items you may need for this install (not included): level, pencil, drill, ladder, drywall screws, backfill absorption material such as Mineral Fiber.



Congratulations on purchasing Peak Pyramid Diffusors! Acoustic sound diffusion keeps sound waves from grouping by scattering the sound more evenly throughout the room. Make your room sound larger and more live by adding diffusion to your space.

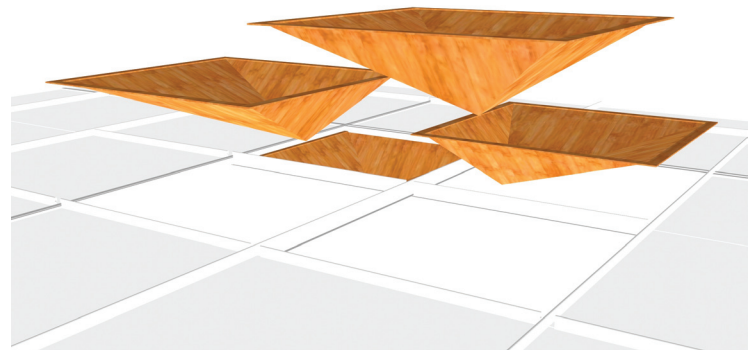
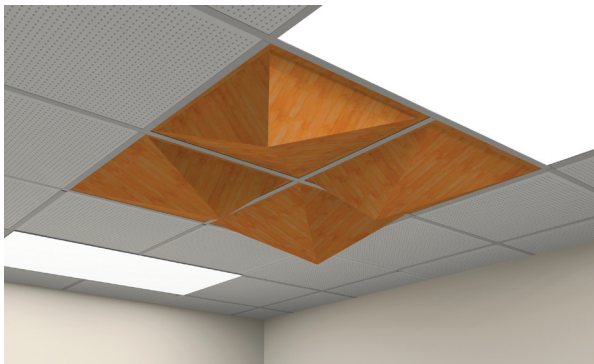
The Peak Pyramid Diffusor is optimized to provide high quality sound diffusion while also doubling as an effective bass trap when loosely filled with absorptive material. These lightweight, sturdy diffusors are sized so that they can be easily dropped into a suspended ceiling grid. They can also be installed on wall surfaces using mechanical fasteners. The bamboo material offers a more musical experience when tested against comparable products made from hardened fiberglass or plastic.

Peak Pyramid™ Installation Guidelines



Wall installation

1. Using a level, locate where panels will hang. Place the panel on the wall and use a pencil to mark hole locations on the wall. Rotate each panel 90 degrees from the previous for maximum effectiveness.
2. Remove product from wall and drill holes. Then insert plastic anchors.
3. Place product back on wall and screw in place.
4. Button covers conceal screws after installation.



Ceiling installation

1. Drop panels into empty ceiling grid.
2. Rotate each panel 90 degrees from the previous for maximum effectiveness.