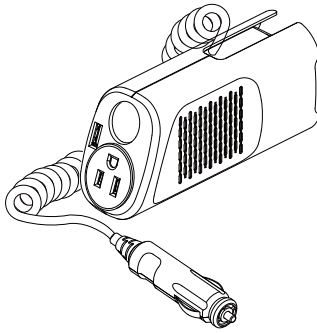




# AC Mobile Power Inverter CPS150CHURC1 User Guide



## Important Safety Information

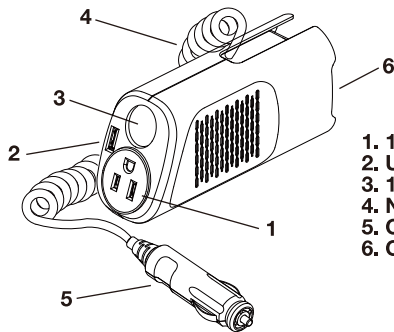
Before installing and using the CyberPower CPS150CHURC1 Mobile Power Inverter please read and follow these safety instructions:

- Do not operate the CPS150CHURC1 near flammable materials, fumes, or gases.
- Always use the inverter where there is adequate ventilation. Do not obstruct the ventilation slots.
- Never immerse the unit in water.
- Proper cooling is essential when operating the inverter. Refrain from placing the inverter near the vehicle's heat vent, or in direct sunlight.
- Always turn the inverter off when not in use by removing it from the DC accessory socket.
- Check the warning labels on battery chargers or adapters before connecting them to the inverter. Do not connect battery chargers or adapters with warnings about using with inverters.

## Package Contents

- AC Mobile Power Inverter
- Product Registration Card
- User Guide

## Product Features



1. 120V AC outlet
2. USB charging port
3. 12V power plug
4. No-tangle 36-inch cord
5. Cigar connector power plug
6. Cooling Fan

## Operating and Storage Tips

**Operating Tips**  
The inverter should only be operated under the following conditions:

- **Dry** - Do not allow water or other liquids to come into contact with the inverter.

- **Moderate Temperature** - Ambient air temperature should be between 32°F - 104°F (0°C - 40°C). Keep the inverter out of direct sunlight.
- **Free Air Flow** - Keep the inverter's ventilation slots unobstructed to ensure air flow to the unit. Do not place any items on or over the inverter during operation. The unit will shut down if it overheats.

## Storage Tips

- Proper storage temperature range is 32°F - 86°F (0°C - 30°C)
- Store and use the inverter in a cool and dry environment.
- Avoid exposing the inverter to heating elements, direct sunlight, or high humidity.

## Specifications

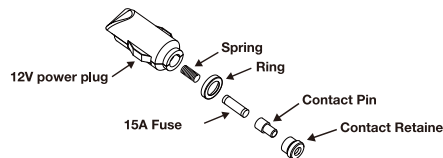
Input Voltage	10.5 to 15.5 volts
Output Peak Power	150 Watts
Output Continuous Power	120 Watts
Output Voltage	120 Volts
Output Frequency	60 Hz
USB / DC Outlet Voltage	5Vdc / 12Vdc
Output Waveform	Simulated Sine Wave
Protection Features	Low Voltage, Overheat, Overload, Short Circuit

## Troubleshooting

Problem	Possible Cause	Suggested Solutions
No AC output power	Poor contact with DC power outlet.  Automotive electrical system requires ignition to be on.  Car's DC power outlet fuse is blown.  Over-heating.  Vehicle's battery voltage is below 10.5 volts.  Vehicle's battery input voltage is higher than 15.5 volts.  Inverter is overloaded.	Ensure the inverter is securely plugged into vehicle's DC power outlet. Replace the DC power outlet if necessary.  Turn the vehicle ignition to the "Accessory" position.  Check the vehicle fuse panel and replace the damaged fuse.  Allow inverter to cool. Ensure that there is adequate ventilation around the unit and load does not exceed the unit's Continuous Power rating (see specifications).  Unplug the inverter and start the vehicle to charge the battery.  Check your vehicle's user guide for troubleshooting.  Ensure load does not exceed the unit's Continuous Power rating (see specifications).

## Fuse Replacement

1. Unplug the inverter from the DC power outlet.
2. Unscrew the contact retainer at the end of the power plug.
3. Replace the 15 amp fuse.
4. Reassemble unit by reversing the instructions above.



## Limited Warranty

CyberPower warrants this CPS150CHURC1 (the "Inverter") to be free from material and manufacturing defects for two years. If a defect results in product failure during its normal use, CyberPower's sole responsibility is to repair or replace (at its sole option) the Inverter.

The foregoing Limited Warranty is the consumer's sole and exclusive remedy and excludes any incidental or consequential damages. Some States do not allow the exclusion or limitation of incidental and consequential damages, so certain of the above limitations or exclusions may not apply to you (the Consumer). This limited warranty gives the Consumer specific legal rights and the Consumer may have other rights, which vary from State to State.

To make a Limited Warranty claim:

1. Pack and ship the Inverter to CyberPower at 4241 12<sup>th</sup> Ave. E., Suite 400, Shakopee, MN 55379.
2. Clearly indicate on the outside of the packaging that this is a "WARRANTY RETURN"
3. Clearly include your name and address (a) on the outside packaging and (b) on a sheet of paper enclosed in the box with the Inverter that is being returned.
4. You **MUST** prepay all shipping costs and you are responsible for packaging and shipment.

**CAUTION:** Any changes or modifications not expressly approved by the guarantee of this device could void the user's authority to operate the equipment.  
This Warranty is provided by:  
Cyber Power Systems (USA), Inc.  
4241 12th Avenue East, Suite 400, Shakopee, MN 55379, U.S.A.

## Product Registration

Thank you for purchasing a CyberPower product. Prompt product registration entitles coverage under the Limited Warranty and Connected Equipment Guarantee, and also allows the opportunity to be notified of product enhancements, upgrades, and other announcements.

Registration is quick and easy at [www.cpsww.com/register](http://www.cpsww.com/register)

## Technical Support

Feel free to contact our Tech Support department with installation, troubleshooting, or general product questions.

CyberPower Technical Support  
Phone: 1-877-297-6937  
Email: [tech@cpsww.com](mailto:tech@cpsww.com)  
Web: [www.CPSww.com](http://www.CPSww.com)  
Mail: 4241 12th Avenue E, Suite 400 Shakopee, MN 55379  
Hours of Operation: Monday - Friday, 8:00am - 5:00pm (CST)

## Legal notices (FCC Part 15)

This equipment has been tested and found to comply with the limits for a Class B Digital Device, pursuant to Part 15 of the FCC Rules. These limits are designed to provide reasonable protection against harmful interference in residential installation. This equipment generates, uses and can radiate radio frequency energy and, if not installed and used in accordance with the instructions, may cause harmful interference to radio communications. However, there is no guarantee that interference will not occur in a particular installation. If this equipment does cause harmful interference to radio or television reception, which can be determined by turning the equipment off and on, the user is encouraged to try to correct the interference by one or more of the following measures: (1) Reorient or relocate the receiving antenna. (2) Increase the separation between the equipment and receiver. (3) Connect the equipment into an outlet on a circuit different from that to which the receiver is connected. (4) Consult the dealer or an experienced radio/TV technician for help. Any special accessories needed for compliance must be specified in the instruction.

**CAUTION:** A shielded-type power cord is required in order to meet FCC emission limits and also to prevent interference to the nearby radio and television reception. It is essential that only the supplied power cord be used. Use only shielded cables to connect I/O devices to this equipment.



Cyber Power Systems (USA), Inc.  
4241 12th Avenue East, Suite 400, Shakopee, MN 55379, U.S.A.

TEL: (952) 403-9500 FAX: (952) 403-0009 Toll-Free: (877) 297-6937  
E-mail: [sales@cyberpowersystems.com](mailto:sales@cyberpowersystems.com) Web: [www.cpsww.com](http://www.cpsww.com)

Entire contents copyright © 2009 Cyber Power Systems, Inc.  
All rights reserved. Reproduction in whole or in part without permission is prohibited.