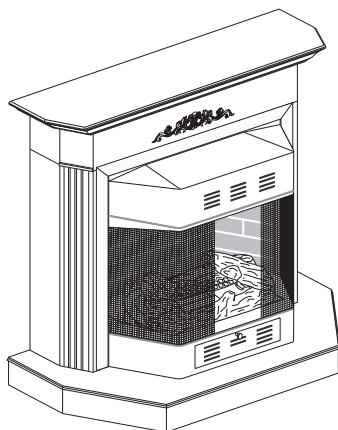


Comfort Glow®

UNVENTED (VENT-FREE) BAY FRONT GAS LOG FIREPLACE OWNER'S OPERATION AND INSTALLATION MANUAL



Fireplace Shown With Optional Bay Front Mantel

MODELS CF26PTA AND CF26NTA 19,000 TO 26,000 BTU/HR REMOTE CONTROL READY

WARNING: If the information in this manual is not followed exactly, a fire or explosion may result causing property damage, personal injury or loss of life.

- Do not store or use gasoline or other flammable vapors and liquids in the vicinity of this or any other appliance.
- **WHAT TO DO IF YOU SMELL GAS**
 - Do not try to light any appliance.
 - Do not touch any electrical switch; do not use any phone in your building.
 - Immediately call your gas supplier from a neighbor's phone. Follow the gas supplier's instructions.
 - If you cannot reach your gas supplier, call the fire department.
- Installation and service must be performed by a qualified installer, service agency or the gas supplier.

WARNING: Improper installation, adjustment, alteration, service or maintenance can cause injury or property damage. Refer to this manual for correct installation and operational procedures. For assistance or additional information consult a qualified installer, service agency or the gas supplier.

WARNING: This is an unvented gas-fired heater. It uses air (oxygen) from the room in which it is installed. Provisions for adequate combustion and ventilation air must be provided. Refer to *Air for Combustion and Ventilation* section on page 5 of this manual.

This appliance may be installed in an aftermarket,* permanently located, manufactured (mobile) home, where not prohibited by local codes.

This appliance is only for use with the type of gas indicated on the rating plate. This appliance is not convertible for use with other gases.

* **Aftermarket:** Completion of sale, not for purpose of resale, from the manufacturer

State of Massachusetts: The installation must be made by a licensed plumber or gas fitter in the Commonwealth of Massachusetts.

Sellers of unvented propane or natural gas-fired supplemental room heaters shall provide to each purchaser a copy of 527 CMR 30 upon sale of the unit.

Vent-free gas products are prohibited for bedroom and bathroom installation in the Commonwealth of Massachusetts.

TABLE OF CONTENTS

| | | | |
|--|----|--|------------|
| Safety Information | 3 | Troubleshooting | 23 |
| Local Codes | 4 | Specifications | 27 |
| Unpacking | 4 | Replacement Parts | 27 |
| Product Identification | 5 | Service Hints | 27 |
| Product Features | 5 | Technical Service | 27 |
| Air For Combustion and Ventilation | 5 | Illustrated Parts Breakdown and Parts List | 28 |
| Installation | 8 | Accessories | 32 |
| Operating Fireplace | 19 | Parts Central | 34 |
| Inspecting Burners | 20 | Warranty Information | Back Cover |
| Cleaning and Maintenance | 21 | | |

SAFETY INFORMATION

⚠ WARNING: This product contains and/or generates chemicals known to the state of California to cause cancer or birth defects or other reproductive harm.

IMPORTANT: Read this owner's manual carefully and completely before trying to assemble, operate or service this fireplace. Improper use of this fireplace can cause serious injury or death from burns, fire, explosion, electrical shock and carbon monoxide poisoning.

⚠ DANGER: Carbon monoxide poisoning may lead to death!

Carbon Monoxide Poisoning: Early signs of carbon monoxide poisoning resemble the flu, with headaches, dizziness or nausea. If you have these signs, the heater may not be working properly. **Get fresh air at once!** Have heater serviced. Some people are more affected by carbon monoxide than others. These include pregnant women, people with heart or lung disease or anemia, those under the influence of alcohol and those at high altitudes.

Natural and Propane/LP Gas: Natural and propane/LP gases are odorless. An odor-making agent is added to the gas. The odor helps you detect a gas leak. However, the odor added to the gas can fade. Gas may be present even though no odor exists. Make certain you read and understand all warnings. Keep this manual for reference. It is your guide to safe and proper operation of this heater.

⚠ WARNING: Any change to this heater or its controls can be dangerous.

⚠ WARNING: Do not use a blower insert, heat exchanger insert or other accessory not approved for use with this heater.

⚠ WARNING: Do not allow fans to blow directly into the fireplace. Avoid any drafts that alter burner flame patterns. Ceiling fans can create drafts that alter burner flame patterns. Altered burner patterns can cause sooting.

Due to high temperatures, the appliance should be located out of traffic and away from furniture and draperies.

Do not place clothing or other flammable material on or near the appliance. Never place any objects in the fireplace or on logs.

Fireplace front and screen become very hot when running fireplace. Keep children and adults away from hot surfaces to avoid burns or clothing ignition. Fireplace will remain hot for a time after shutdown. Allow surfaces to cool before touching.

Carefully supervise young children when they are in the room with fireplace.

You must operate this fireplace with a fireplace screen in place. Make sure fireplace screen is closed before running heater.

Keep the appliance area clear and free from combustible materials, gasoline and other flammable vapors and liquids.

SAFETY INFORMATION

Continued

1. This appliance is only for use with the type of gas indicated on the rating plate. This appliance is not convertible for use with other gases.
2. Do not place propane/LP supply tank(s) inside any structure. Locate propane/LP supply tank(s) outdoors (propane/LP units only).
3. If you smell gas
 - shut off gas supply
 - do not try to light any appliance
 - do not touch any electrical switch; do not use any phone in your building
 - immediately call your gas supplier from a neighbor's phone. Follow the gas supplier's instructions
 - if you cannot reach your gas supplier, call the fire department
4. This fireplace shall not be installed in a bedroom or bathroom.
5. Do not use this fireplace as a wood-burning fireplace. Use only the logs provided with the fireplace.
6. Do not add extra logs or ornaments such as pine cones, vermiculite or rock wool. Using these added items can cause sooting. Do not add lava rock around base. Rock and debris could fall into the control area of fireplace.
7. This fireplace is designed to be smokeless. If logs ever appear to smoke, turn off fireplace and call a qualified service person. **Note:** During initial operation, slight smoking could occur due to log curing and fireplace burning manufacturing residues.
8. To prevent the creation of soot, follow the instructions in *Cleaning and Maintenance*, page 21.
9. Before using furniture polish, wax, carpet cleaner or similar products, turn heater off. If heated, the vapors from these products may create a white powder residue within burner box or on adjacent walls or furniture.
10. This fireplace needs fresh air ventilation to run properly. This fireplace has an Oxygen Depletion Sensing (ODS) safety shutoff system. The ODS shuts down the fireplace if not enough fresh air is available. See *Air for Combustion and Ventilation*, page 5. If fireplace keeps shutting off, see *Troubleshooting*, page 23.
11. Do not run fireplace
 - where flammable liquids or vapors are used or stored.
 - under dusty conditions.
12. Do not use this fireplace to cook food or to burn paper or other solid fuels.
13. Do not use fireplace if any part has been under water. Immediately call a qualified service technician to inspect the room fireplace and to replace any part of the control system and any gas control which has been under water.
14. Turn off and unplug fireplace and let cool before servicing. Only a qualified service person should service and repair fireplace.
15. Operating fireplace above elevations of 4,500 feet could cause pilot outage.
16. Do not operate fireplace if any log is broken. Do not operate fireplace if a log is chipped (dime-sized or larger).
17. To prevent performance problems, do not use propane/LP fuel tank of less than 100 lbs. capacity (propane/LP units only).
18. Provide adequate clearances around air openings.

LOCAL CODES

Install and use fireplace with care. Follow all local codes. In the absence of local codes, use the latest edition of *The National Fuel Gas Code, ANSI Z223.1/NFPA 54**.

*Available from:

American National Standards Institute, Inc.
1430 Broadway
New York, NY 10018
National Fire Protection Association, Inc.
Batterymarch Park
Quincy, MA 02269

UNPACKING

1. Remove and fireplace from carton.
2. Remove all protective packaging applied to fireplace for shipment.
3. Make sure your fireplace includes one hardware packet.
4. Check fireplace for any shipping damage. If fireplace is damaged, promptly inform dealer where you bought fireplace.

PRODUCT IDENTIFICATION

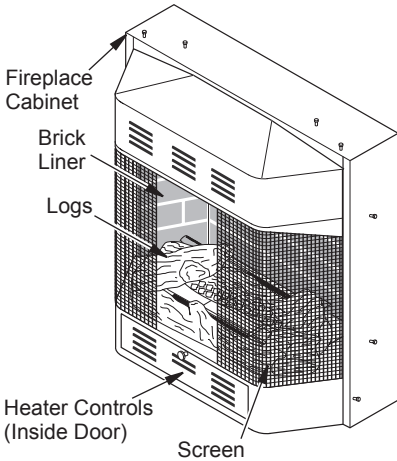


Figure 1 - Vent-Free Propane/LP Gas Compact Fireplace

PRODUCT FEATURES

SAFETY PILOT

This fireplace has a pilot with an Oxygen Depletion Sensing (ODS) safety shutoff system. The ODS/pilot is a required feature for vent-free room fireplaces. The ODS/pilot shuts off the fireplace if there is not enough fresh air.

PIEZO IGNITION SYSTEM

This fireplace has a piezo ignitor. This system requires no matches, batteries or other sources to light fireplace.

AIR FOR COMBUSTION AND VENTILATION

⚠ WARNING: This heater shall not be installed in a confined space or unusually tight construction unless provisions are provided for adequate combustion and ventilation air. Read the following instructions to insure proper fresh air for this and other fuel-burning appliances in your home.

Today's homes are built more energy efficient than ever. New materials, increased insulation and new construction methods help reduce heat loss in homes. Home owners weather strip and caulk around windows and doors to keep the cold air out and the warm air in. During heating months, home owners want their homes as airtight as possible.

While it is good to make your home energy efficient, your home needs to breathe. Fresh air must enter your home. All fuel-burning appliances need fresh air for proper combustion and ventilation.

Exhaust fans, fireplaces, clothes dryers and fuel burning appliances draw air from the house to operate. You must provide adequate fresh air for these appliances. This will insure proper venting of vented fuel-burning appliances.

PROVIDING ADEQUATE VENTILATION

The following are excerpts from *National Fuel Gas Code, ANSI Z223.1/NFPA 54 Section 5.3, Air for Combustion and Ventilation*.

All spaces in homes fall into one of the three following ventilation classifications:

1. Unusually Tight Construction
2. Unconfined Space
3. Confined Space

The information on pages 5 through 7 will help you classify your space and provide adequate ventilation.

AIR FOR COMBUSTION AND VENTILATION

Continued

Unusually Tight Construction

The air that leaks around doors and windows may provide enough fresh air for combustion and ventilation. However, in buildings of unusually tight construction, you must provide additional fresh air.

Unusually tight construction is defined as construction where:

- walls and ceilings exposed to the outside atmosphere have a continuous water vapor retarder with a rating of one perm (6×10^{-11} kg per pa-sec- m^2) or less with openings gasketed or sealed and
- weather stripping has been added on openable windows and doors and
- caulking or sealants are applied to areas such as joints around window and door frames, between sole plates and floors, between wall-ceiling joints, between wall panels, at penetrations for plumbing, electrical and gas lines and at other openings.

If your home meets all of the three criteria above, you must provide additional fresh air. See *Ventilation Air From Outdoors*, page 7.

If your home does not meet all of the three criteria above, proceed to *Determining Fresh-Air Flow For Fireplace Location*.

Confined and Unconfined Space

The *National Fuel Gas Code, ANSI Z223.1* defines a confined space as a space whose volume is less than 50 cubic feet per 1,000 Btu per hour (4.8 m^3 per kw) of the aggregate input rating of all appliances installed in that space and an unconfined space as a space whose volume is not less than 50 cubic feet per 1,000 Btu per hour (4.8 m^3 per kw) of the aggregate input rating of all appliances installed*, through openings not furnished with doors, are considered a part of the unconfined space.

* Adjoining rooms are communicating only if there are doorless

DETERMINING FRESH-AIR FLOW FOR FIREPLACE LOCATION

Determining if You Have a Confined or Unconfined Space

Use this work sheet to determine if you have a confined or unconfined space.

Space: Includes the room in which you will install heater plus any adjoining rooms with doorless passageways or ventilation grills between the rooms.

- Determine the volume of the space (length x width x height).

Length x Width x Height = _____ cu. ft.
(volume of space)

Example: Space size 20 ft. (length) x 16 ft. (width) x 8 ft. (ceiling height) = 2560 cu. ft. (volume of space)

If additional ventilation to adjoining room is supplied with grills or openings, add the volume of these rooms to the total volume of the space.

- Multiply the space volume by 20 to determine the maximum Btu/Hr the space can support.

_____ (volume of space) x 20 = (Maximum Btu/Hr the space can support)

Example: 2560 cu. ft. (volume of space) x 20 = 51,200 (maximum Btu/Hr the space can support)

- Add the Btu/Hr of all fuel burning appliances in the space.

| | | |
|-----------------------|---------|--------|
| Vent-free fireplace | _____ | Btu/Hr |
| Gas water heater* | _____ | Btu/Hr |
| Gas furnace | _____ | Btu/Hr |
| Vented gas heater | _____ | Btu/Hr |
| Gas fireplace logs | _____ | Btu/Hr |
| Other gas appliances* | + _____ | Btu/Hr |
| Total | = _____ | Btu/Hr |

* Do not include direct-vent gas appliances. Direct-vent draws combustion air from the outdoors and vents to the outdoors.

Example:

| | | | |
|---------------------|---------|--------|--------|
| Gas water heater | _____ | 30,000 | Btu/Hr |
| Vent-free fireplace | + _____ | 26,000 | Btu/Hr |
| Total | = _____ | 56,000 | Btu/Hr |

- Compare the maximum Btu/Hr the space can support with the actual amount of Btu/Hr used.

_____ Btu/Hr (maximum the space can support)
_____ Btu/Hr (actual amount of Btu/Hr used)

Example: 51,200 Btu/Hr (maximum the space can support)

56,000 Btu/Hr (actual amount of Btu/Hr used)

AIR FOR COMBUSTION AND VENTILATION

Continued

The space in the above example is a confined space because the actual Btu/Hr used is more than the maximum Btu/Hr the space can support. You must provide additional fresh air. Your options are as follows:

- A. Rework worksheet, adding the space of an adjoining room. If the extra space provides an unconfined space, remove door to adjoining room or add ventilation grills between rooms. See *Ventilation Air From Inside Building*.
- B. Vent room directly to the outdoors. See *Ventilation Air From Outdoors*.
- C. Install a lower Btu/Hr fireplace, if lower Btu/Hr size makes room unconfined.

If the actual Btu/Hr used is less than the maximum Btu/Hr the space can support, the space is an unconfined space. You will need no additional fresh air ventilation.

⚠ WARNING: If the area in which the heater may be operated is smaller than that defined as an unconfined space or if the building is of unusually tight construction, provide adequate combustion and ventilation air by one of the methods described in the *National Fuel Gas Code, ANSI Z223.1/NFPA 54 Section 5.3* or applicable local codes.

VENTILATION AIR

Ventilation Air From Inside Building

This fresh air would come from an adjoining unconfined space. When ventilating to an adjoining unconfined space, you must provide two permanent openings: one within 12" of the ceiling and one within 12" of the floor on the wall connecting the two spaces (see options 1 and 2, Figure 2). You can also remove door into adjoining room (see option 3, Figure 2). Follow the *National Fuel Gas Code ANSI Z223.1/NFPA 54, Section 5.3, Air for Combustion and Ventilation* for required size of ventilation grills or ducts.

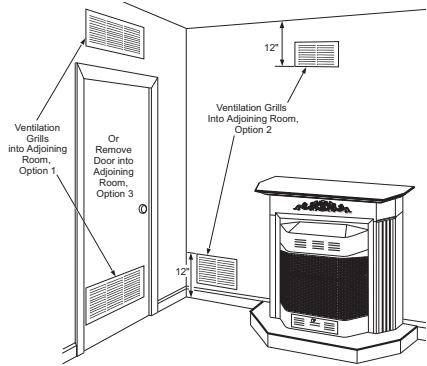


Figure 2 - Ventilation Air from Inside Building Shown with Optional Mantel

Ventilation Air From Outdoors

Provide extra fresh air by using ventilation grills or ducts. You must provide two permanent openings: one within 12" of the ceiling and one within 12" of the floor. Connect these items directly to the outdoors or spaces open to the outdoors. These spaces include attics and crawl spaces. Follow the *National Fuel Gas Code ANSI Z223.1/NFPA 54, Section 5.3, Air for Combustion and Ventilation* for required size of ventilation grills or ducts.

IMPORTANT: Do not provide openings for inlet or outlet air into attic if attic has a thermostat-controlled power vent. Heated air entering the attic will activate the power vent.

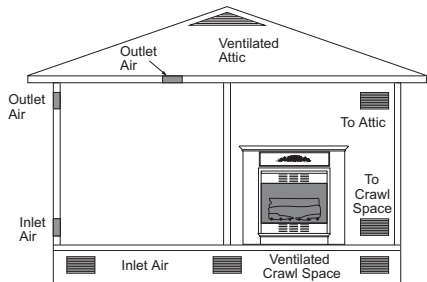


Figure 3 - Ventilation Air from Outdoors Shown with Optional Mantel

INSTALLATION

NOTICE: This heater is intended for use as supplemental heat. Use this heater along with your primary heating system. Do not install this heater as your primary heat source. If you have a central heating system, you may run system's circulating blower while using heater. This will help circulate the heat throughout the house. In the event of a power outage, you can use this heater as your primary heat source.

WARNING: A qualified service person must install fireplace. Follow all local codes.

Note: Your Comfort Glow fireplace is designed to be used in zero clearance installations. Wall or framing material can be placed directly against any exterior surface of your fireplace, except where standoff spacers are integrally attached. If standoff spacers are attached to your fireplace, these spacers can be placed directly against wall or framing materials.

Use the dimensions shown for rough openings to create the easiest installation (see *Built-In Fireplace Installation*, page 9).

CHECK GAS TYPE

Use the correct gas type (natural or propane/LP) for your unit. If your gas supply is not correct, do not install fireplace. Call dealer where you bought fireplace for proper type fireplace.

WARNING: This appliance is equipped for (natural or propane/LP) gas. Field conversion is not permitted.

LOCATING FIREPLACE

WARNING: Maintain the minimum clearances shown in Figure 4 and 5, page 9. If you can, provide greater clearances from floor, ceiling and joining wall.

You can recess firebox into the wall. You can also position fireplace in the optional cabinet mantels. **IMPORTANT:** Only use optional cabinet mantels specified in this manual. Purchase the optional mantel from your dealer (see *Accessories*, page 32).

WARNING: Never install the fireplace

- in a bedroom or a bathroom
- in a recreational vehicle
- where curtains, furniture, clothing or other flammable objects are less than 42 inches from the front, top or sides of the fireplace
- as a fireplace insert
- in high traffic areas
- in windy or drafty areas

CAUTION: This fireplace creates warm air currents. These currents move heat to wall surfaces next to fireplace. Installing fireplace next to vinyl or cloth wall coverings or operating fireplace where impurities (such as, but not limited to, tobacco smoke, aromatic candles, cleaning fluids, oil or kerosene lamps, etc.) in the air exist, may discolor walls or cause odors.

IMPORTANT: Vent-free fireplaces add moisture to the air. Although this is beneficial, installing fireplace in rooms without enough ventilation air may cause mildew to form from too much moisture. See *Air for Combustion and Ventilation*, page 5.

CAUTION: If you install the fireplace in a home garage

- fireplace pilot and burner must be at least 18 inches above floor.
- locate fireplace where moving vehicle will not hit it.

For convenience and efficiency, install fireplace

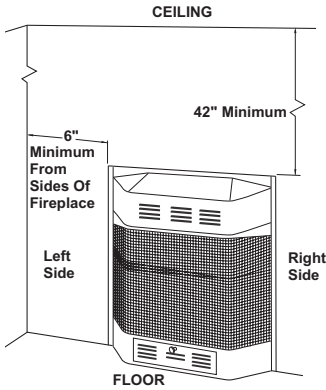
- where there is easy access for operation, inspection and service.
- in coldest part of room.

INSTALLATION

Continued

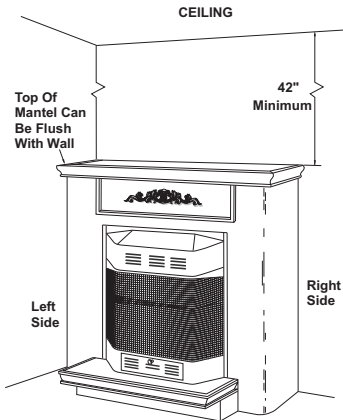
An optional blower kit is available from your dealer. See *Accessories*, page 32. If planning to use blower, locate fireplace near an electrical outlet.

Note: When installing fireplace directly on carpeting, tile or other combustible material, other than wood flooring, the fireplace shall be installed on a metal or wood panel extending the full width and depth of the fireplace.



0" Minimum Clearance To Top Surface Of Carpeting, Tile Or Other Combustible Material

Figure 4 - Mounting Clearances As Viewed From Front of Fireplace Shown Built In The Wall



0" Minimum Clearance To Top Surface Of Carpeting, Tile Or Other Combustible Material

Figure 5 - Mounting Clearances As Viewed From Front of Fireplace Shown with Optional Mantel

BUILT-IN FIREPLACE INSTALLATION

Built-in installation of this fireplace involves installing fireplace into a framed-in enclosure. This makes the front of fireplace flush with wall. Follow the instructions below to install the fireplace in this manner. If installing a built-in mantel above the fireplace, you must follow the clearances shown in Figure 9, page 11. If using for built-in installation off of the floor, follow clearances shown in Figure 4.

| | Actual | Framing |
|-------------|---------|---------|
| Height | 26" | 26 7/8" |
| Front Width | 26 3/4" | 26 7/8" |
| Depth | 9 1/2" | 10 1/2" |
| Bottom | 3/4" | 3/4" |

1. Frame in rough opening. Use dimensions shown in Figure 6 for the rough opening. If installing in a corner, use dimensions shown in Figure 7 for the rough opening. The height is 26 7/8" which is the same as the wall opening above.
2. An optional blower accessory is available (see *Accessories*, page 32). There are two options for connecting blower to electrical source.

Option one: Have a licensed electrician install a properly grounded, three-prong 120-volt electrical outlet at fireplace location. Locate outlet inside the framed enclosure. Blower power cord will plug into this outlet.

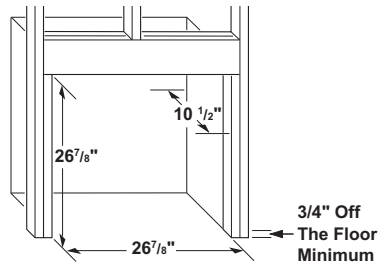


Figure 6 - Rough Opening for Installing in Wall

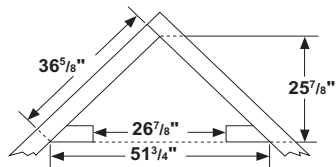


Figure 7 - Rough Opening for Installing in Corner

INSTALLATION

Continued

Option two: Have a licensed electrician connect blower to electrical source at junction box inside fireplace.

If using option one, have electrical outlet installed at this time. If using option two, do not connect blower to electrical source at junction box until step 6.

3. Install gas piping to fireplace location. This installation includes an approved flexible gas line (if allowed by local codes) after the equipment shutoff valve. The flexible gas line must be the last item installed on the gas piping.
4. Carefully set fireplace in front of rough opening with back of fireplace inside wall opening.
5. Attach flexible gas line to fireplace gas regulator. See *Connecting Fireplace to Gas Supply*, page 16.
6. If the optional blower has been installed connect blower to electrical source.

Option one: Route blower electrical cord through side or rear access door of fireplace. Plug electrical cord into electrical outlet.

Option two: Have a licensed electrician connect blower to electrical source at junction box inside fireplace.

7. Bend four nailing flanges on outer casing with pliers (see Figure 8).
8. Attach fireplace to wall studs using nails or wood screws through holes in nailing flange.
9. Check all gas connections for leaks. See *Checking Gas Connections*, page 17.

IMPORTANT: When finishing your firebox, combustible materials such as wall board, gypsum board, sheet rock, drywall, plywood, etc. may be butted up next to the sides and top of the firebox. Combustible materials should never overlap the firebox front facing. Firebox should not be placed on top of carpet or other kinds of fibrous material.

WARNING: Do not allow any combustible materials to overlap the firebox front facing.

IMPORTANT: Noncombustible materials such as brick, tile, etc. may overlap the front facing, but should never cover any necessary openings like louvered slots.

WARNING: Do not allow non-combustible materials to cover any necessary openings like louvered slots.

WARNING: Never modify or cover the louvered slots on the front of the firebox.

WARNING: Use only non-combustible mortar or adhesives when overlapping the front facing with noncombustible facing material.

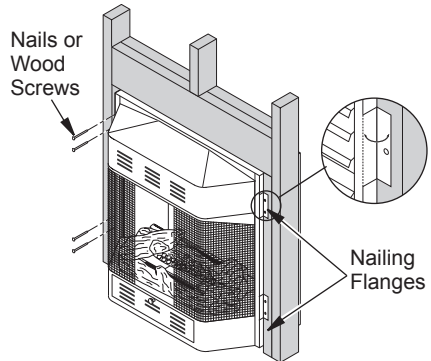


Figure 8 - Attaching Fireplace to Wall Studs

Mantel Clearances for Built-In Installation

NOTICE: Surface temperatures of adjacent walls and mantels become hot during operation. Walls and mantels above the firebox may become hot to the touch. If installed properly, these temperatures meet the requirement of the national product standard. Follow all minimum clearances shown in this manual.

If placing mantel above built-in fireplace, you must meet minimum clearance between mantel shelf and top of fireplace opening.

INSTALLATION

Continued

NOTICE: If your installation does not meet the minimum clearances shown, you must do one of the following:

- raise the mantel to an acceptable height
- remove the mantel

Note: All vertical measurements are from top of fireplace opening to bottom of mantel shelf.

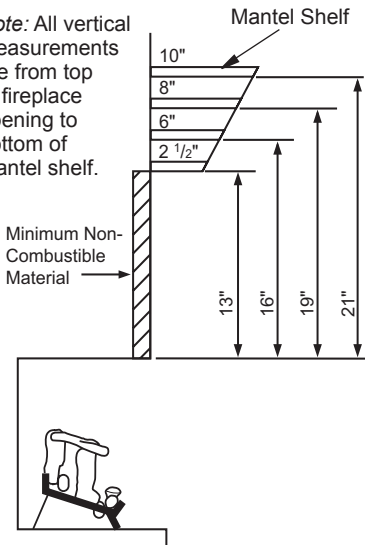


Figure 9 - Minimum Mantel Clearances for Built-In Installation

REMOVING BRICK LINER RETAINER

1. Using Phillips screw driver, remove 2 screws attaching brick liner retainers to vertical sides.
2. Remove brick liner retainers and discard. Replace 2 screws into vertical sides.

ASSEMBLING TRIM (Trim shipped with mantel)

1. Remove packaging from three pieces of trim.
2. Locate two adjusting plates with set screws and two shims in the hardware packet.
3. Align shim under adjusting plate as shown in Figure 10.
4. Slide one end of adjusting plate/shim in slot on mitered edge of top trim (see Figure 10).
5. Slide other end of adjusting plate/shim in slot on mitered edge of side trim (see Figure 10).

6. While firmly holding edges of trim together, tighten both set screws on the adjusting plate with slotted screwdriver.
7. Repeat steps 1 through 6 for other corner.
8. Set trim assembly aside for later installation.

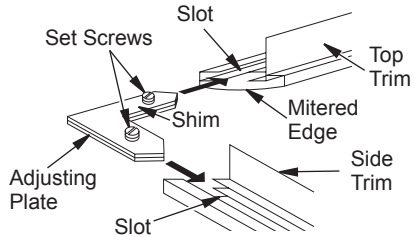


Figure 10 - Assembling Trim

OPTIONAL MANTEL INSTALLATION

Note: Refer to instructions provided with the mantel for assembly instructions. Refer to instructions below for system installation. If using blower accessory (see *Accessories*, page 32), see installation instructions on pages 12 through 15.

1. Choose location for fireplace and install gas supply line.
2. Remove screen from fireplace by removing screws in each end of screen rod (see Figure 11). Hold screen rod cover while removing five hex head screws underneath hood (see Figure 12). Carefully lift and pull out hood (see Figure 13, page 12).

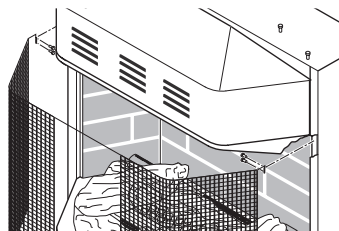


Figure 11 - Removing Screen

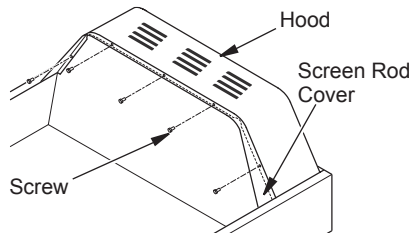


Figure 12 - Removing Hood Screws

INSTALLATION

Continued

3. Assemble trim kit. See *Assembling Trim*, page 11.
4. Place trim on the shoulder screws located on the side and top of the fireplace. Firmly snap the trim over the shoulder screws on fireplace (see Figure 14).
5. Place mantel base close to wall in desired fireplace location.
6. Install gas line. See *Connecting To Gas Supply*, page 15
7. Carefully place fireplace on mantel base and center left to right. Check for gas leaks. See *Checking Gas Connections*, page 17.
8. Refer to instructions provided with the mantel for permanent attachment to wall.
9. Slide mantel around fireplace. Be careful not to damage wall or mantel.
10. Adjust assembly to remove any gaps. From back side of fireplace, attach two 2" wood screws through base mounting blocks attached to bottom sides of mantel into base (see instructions provided with mantel).
11. Attach remaining two 3" wood screws from hardware pack through openings inside of fireplace sides into the mantel. See Figure 13 for screw hole location.

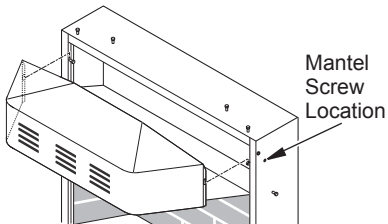


Figure 13 - Removing Hood

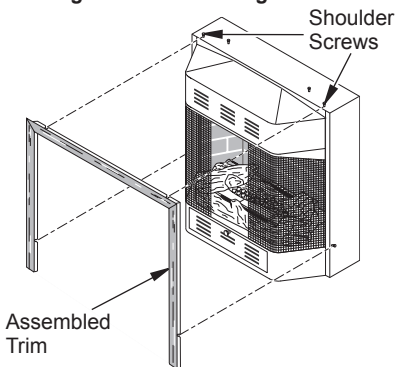


Figure 14 - Attaching Trim to Fireplace

INSTALLING BLOWER ASSEMBLY GA3450T

CAUTION: Label all wires prior to disconnection when servicing controls. Wiring errors can cause improper and dangerous operation.

CAUTION: Verify proper operation after servicing.

Note: If you are using a mantel with your heater, use the following instructions. If your heater is built-in, see *For Built-In Installation* on page 14.

1. Screen and hood should be removed from fireplace (see page 9). Remove log set and set aside.
2. Install snap bushings found in hardware kit into both holes in rear of blower control shield (see Figure 15).
3. Make sure the wire harness is firmly connected to the terminals on the blower bracket assembly.
4. Note the wire locations on back of AUTO/OFF/ON switch. Carefully remove red wire from the AUTO terminal and blue wire from the ON terminal. Black wire can remain on the middle or OFF terminal (see Figure 16, page 13).
5. Carefully disconnect green and white wires from power cord harness at their insulated connectors.
6. In top of the heater cabinet, locate the four mounting holes on the outer casing. Align these four holes with those on the blower bracket assembly to the outer casing with 4 - #10 screws provided (see Figure 16, page 13).
7. Route the wire harness through the hole to the left side of heat deflector. Pull wire harness through lower opening to the left of the blower control shield. (see Figure 16, page 13).

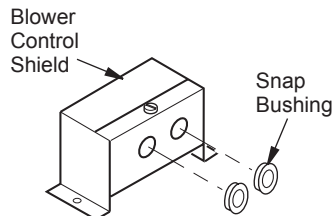


Figure 15 - Installing Snap Bushings

INSTALLATION

Continued

8. Insert the 4 wire harness into one of the round holes in the rear of the blower control shield and through the rectangular hole in the front of shield (see Figure 16).
9. Reconnect red wire to the AUTO switch position. Reconnect blue wire to the ON switch position. Reconnect green and white wires to the power cord.
10. Install the switch plate on the blower control shield with 2 - #10 screws provided (see Fig-

ure 17). Route power cord out of the cabinet by inserting it through the bushing on the outer casing (see Figure 16). Plug fan kit into 120-Volt grounded power supply and test operation. **Note:** When switch is in the AUTO position, the fan will start after the heater has run for a few moments. The fan will continue to run for several moments after the heater has been turned off. When switch is in the ON position, the fan will run until turned off. Reinstall hood assembly and close lower louver door.

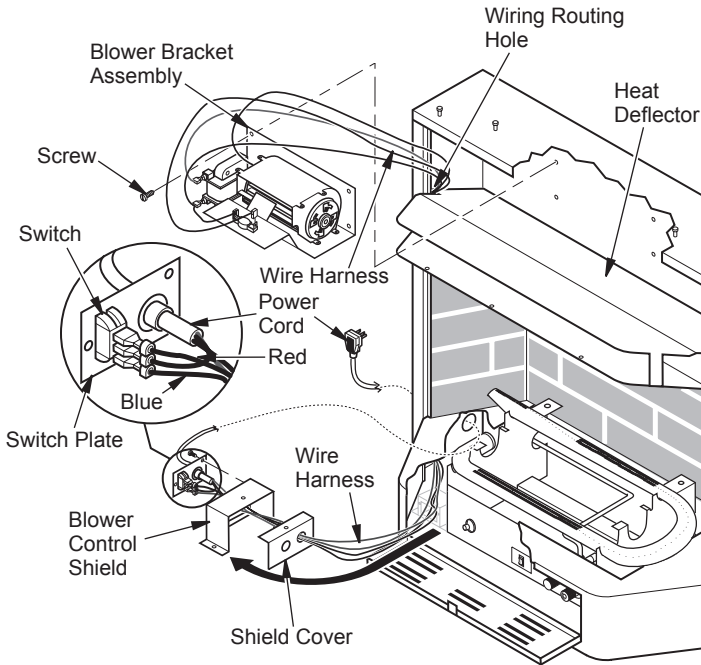


Figure 16 - Installing Blower Bracket Assembly

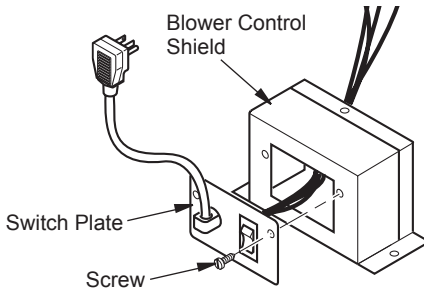


Figure 17 - Installing Switch Plate to Blower Control Shield

INSTALLATION

Continued

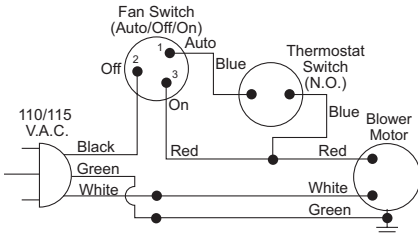


Figure 19 - Wiring Diagram For Fan Accessory Built-In Installation

CONNECTING TO GAS SUPPLY

WARNING: This appliance requires a 1/2" NPT (National Pipe Thread) inlet connection to the pressure regulator.

WARNING: A qualified service person must connect heater to gas supply. Follow all local codes.

CAUTION: Never connect propane/LP fireplace directly to the propane/LP supply. This fireplace requires an external regulator (not supplied). Install the external regulator between the fireplace and propane/LP supply.

WARNING: Never connect natural gas fireplace to private (non-utility) gas wells. This gas is commonly known as wellhead gas.

Installation Items Needed

Before installing fireplace, make sure you have the items listed below.

- external regulator (supplied by installer)
- piping (check local codes)
- sealant (resistant to propane/LP gas)
- equipment shutoff valve *
- ground joint union
- sediment trap
- tee joint
- pipe wrench
- test gauge connection *

* A CSA design-certified equipment shutoff valve with 1/8" NPT tap is an acceptable alternative to test gauge connection. Purchase the optional CSA design-certified equipment shutoff valve from your dealer. See *Accessories*, page 32.

For propane/LP units, the installer must supply an external regulator. The external regulator will reduce incoming gas pressure. You must reduce incoming gas pressure to between 11 and 14 inches of water. If you do not reduce incoming gas pressure, heater regulator damage could occur. Install external regulator with the vent pointing down as shown in Figure 20. Pointing the vent down protects it from freezing rain or sleet.

CAUTION: Use only new, black iron or steel pipe. Internally-tinned copper tubing may be used in certain areas. Check your local codes. Use pipe of 1/2" diameter or greater to allow proper gas volume to heater. If pipe is too small, undue loss of volume will occur.

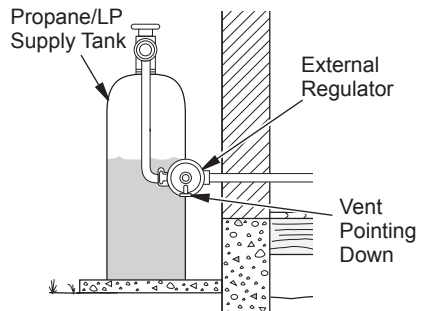


Figure 20 - External Regulator With Vent Pointing Down

INSTALLATION

Continued

Installation must include an equipment shutoff valve, union and plugged 1/8" NPT tap. Locate NPT tap within reach for test gauge hook up. NPT tap must be upstream from heater (see Figure 21).

IMPORTANT: Install equipment shutoff valve in an accessible location. The equipment shutoff valve is for turning on or shutting off the gas to the appliance.

Check your building codes for any special requirements for locating equipment shutoff valve to fireplaces.

Apply pipe joint sealant lightly to male NPT threads. This will prevent excess sealant from going into pipe. Excess sealant in pipe could result in clogged heater valves.

WARNING: Use pipe joint sealant that is resistant to liquid petroleum (LP) gas.

We recommend that you install a sediment trap in supply line as shown in Figure 21. Locate sediment trap where it is within reach for cleaning. Install in piping system between fuel supply and heater. Locate sediment trap where trapped matter is not likely to freeze. A sediment trap traps moisture and contaminants. This keeps them from going into heater controls. If sediment trap is not installed or is installed wrong, heater may not run properly.

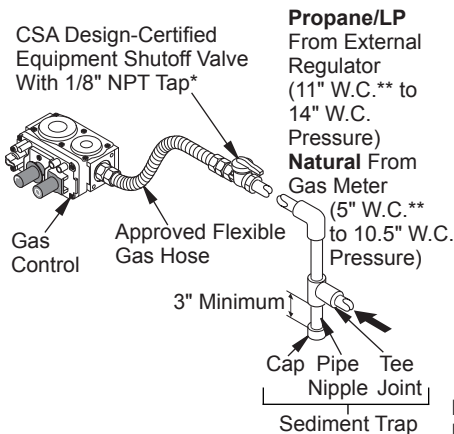


Figure 21 - Gas Connection

* Purchase the optional CSA design-certified equipment shutoff valve from your dealer. See *Accessories*, page 32.

** Minimum inlet pressure for purpose of input adjustment.

CONNECTING FIREPLACE TO GAS SUPPLY

Installation Items Needed

- Phillips screwdriver
- sealant (resistant to propane/LP gas, not provided)

1. Route flexible gas line (provided by installer) from equipment shutoff valve into fireplace through side or rear access holes in outer casing (see Figure 22).

NOTICE: Most building codes do not permit concealed gas connections. A flexible gas line is provided to allow accessibility from the fireplace (see Figure 23). The flexible gas supply line connection to the equipment shutoff valve should be accessible.

2. Apply pipe joint sealant lightly to male threads of gas connector attached to flexible gas line (see Figure 23). Connect flexible gas line to flexible gas line attached to gas valve of fireplace (see Figure 23).

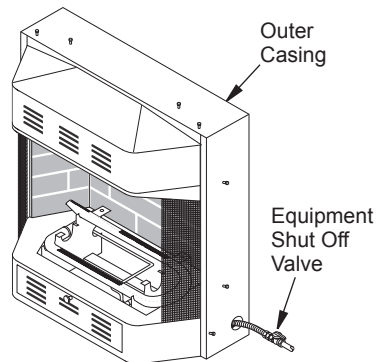


Figure 22 - Routing Flexible Gas Line

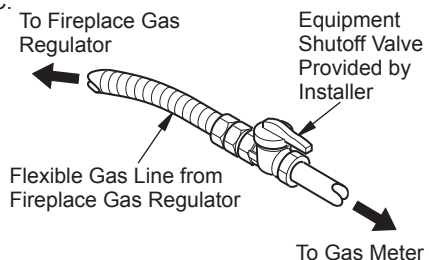


Figure 23 - Attaching Flexible Gas Lines Together

INSTALLATION

Continued

3. Check all gas connections for leaks. See *Checking Gas Connections*.
4. Feed flexible gas line into fireplace base area. Make sure the entire flexible gas line is in fireplace mantel base area.

CAUTION: Avoid damage to regulator. Hold gas regulator with wrench when connecting it to gas piping and/or fittings.

CHECKING GAS CONNECTIONS

WARNING: Test all gas piping and connections, internal and external to unit, for leaks after installing or servicing. Correct all leaks at once.

WARNING: Never use an open flame to check for a leak. Apply a noncorrosive leak detection fluid to all joints. Bubbles forming show a leak. Correct all leaks at once.

CAUTION: Make sure external regulator has been installed between propane/LP supply and heater. See guidelines under *Connecting to Gas Supply*, page 15.

PRESSURE TESTING GAS SUPPLY PIPING SYSTEM

Test Pressures In Excess Of 1/2 PSIG (3.5 kPa)

1. Disconnect appliance with its appliance main gas valve (control valve) and equipment shutoff valve from gas supply piping system. Pressures in excess of 1/2 psig will damage heater regulator.
2. Cap off open end of gas pipe where equipment shutoff valve was connected.
3. Pressurize supply piping system by either opening propane/LP supply tank valve for propane/LP gas or opening main gas valve located on or near gas meter for natural gas or using compressed air.

4. Check all joints of gas supply piping system. Apply noncorrosive leak detection fluid to all joints. Bubbles forming show a leak.
5. Correct all leaks at once.
6. Reconnect heater and equipment shutoff valve to gas supply. Check reconnected fittings for leaks.

Test Pressures Equal To or Less Than 1/2 PSIG (3.5 kPa)

1. Close equipment shutoff valve (see Figure 24).
2. Pressurize supply piping system by either opening propane/LP supply tank valve for propane/LP gas or opening main gas valve located on or near gas meter for natural gas or using compressed air.
3. Check all joints from gas meter to equipment shutoff valve for natural gas or propane/LP supply to equipment shutoff valve for propane/LP (see Figures 25 and 26). Apply noncorrosive leak detection fluid to all joints. Bubbles forming show a leak.
4. Correct all leaks at once.

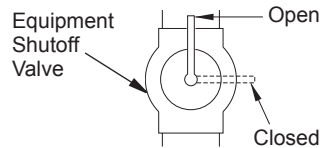


Figure 24 - Equipment Shutoff Valve
Equipment Shutoff Valve

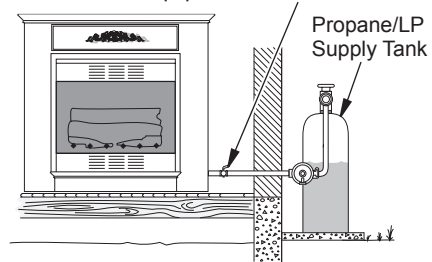


Figure 25 - Checking Gas Joints Propane/LP Gas (Shown with Optional Mantel)

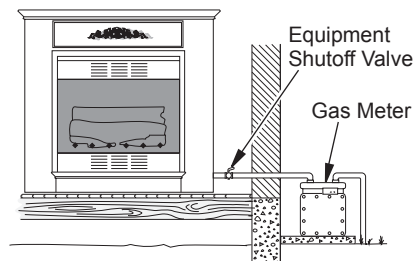


Figure 26 - Checking Gas Joints Natural Gas (Shown with Optional Mantel)

INSTALLATION

Continued

PRESSURE TESTING HEATER GAS CONNECTIONS

1. Open equipment shutoff valve (see Figure 24, page 17).
2. Open main gas valve located on or near gas meter for natural gas or open propane/LP supply tank valve.
3. Make sure control knob of heater is in the OFF position.
4. Check all joints from equipment shutoff valve to thermostat gas valve (see Figures 25 and 26, page 17). Apply noncorrosive leak detection fluid to all joints. Bubbles forming show a leak.
5. Correct all leaks at once.
6. Light heater (see *Operating Heater*, page 19). Check all other internal joints for leaks.
7. Turn off heater (see *To Turn Off Gas to Appliance*, page 21).
8. Replace front panel.

INSTALLING LOGS

⚠ WARNING: Failure to position the parts in accordance with these diagrams or failure to use only parts specifically approved with this heater may result in property damage or personal injury.

⚠ CAUTION: After installation and periodically thereafter, check to ensure that no flame comes in contact with any log. With the heater set to HI, check to see if flames contact any log. If so, reposition logs according to the log installation instructions in this manual. Flames contacting logs will create soot.

It is very important to install the logs exactly as instructed. Do not modify logs. Only use logs supplied with heater.

Place one-piece log set on grate to fit as illustrated in Figure 27. Make sure back section of log set is seated into "U"-shaped cutout in center of chassis (see Figure 27). **IMPORTANT:** Make sure log does not cover any burner ports (see Figure 28).

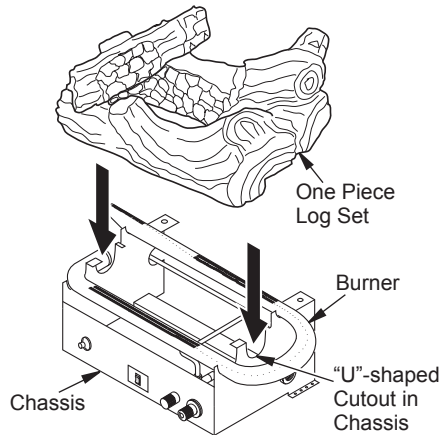


Figure 27 - Installing One-Piece Log Set

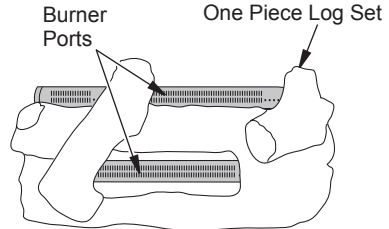


Figure 28 - Installing One-Piece Log set (Top View)

OPERATING FIREPLACE


FOR YOUR SAFETY
READ BEFORE LIGHTING



⚠ WARNING: If you do not follow these instructions exactly, a fire or explosion may result causing property damage, personal injury or loss of life.

- A. This appliance has a pilot which must be lighted by hand. When lighting the pilot, follow these instructions exactly.
- B. **BEFORE LIGHTING** smell all around the appliance area for gas. Be sure to smell next to the floor because some gas is heavier than air and will settle on the floor.
WHAT TO DO IF YOU SMELL GAS
 - Do not try to light any appliance.
 - Do not touch any electric switch; do not use any phone in your building.
 - Immediately call your gas supplier from a neighbor's phone. Follow the gas supplier's instructions.
 - If you cannot reach your gas supplier, call the fire department.
- C. Use only your hand to push in or turn the gas control knob. Never use tools. If the knob will not push in or turn by hand, don't try to repair it, call a qualified service technician or gas supplier. Force or attempted repair may result in a fire or explosion.
- D. Do not use this appliance if any part has been under water. Immediately call a qualified service technician to inspect the appliance and to replace any part of the control system and any gas control which has been under water.

LIGHTING INSTRUCTIONS

NOTICE: During initial operation of new heater, burning logs will give off a paper-burning smell. Open a window to vent smell. This will only last a few hours.

1. **STOP!** Read the safety information above.
2. Make sure equipment shutoff valve is fully open.
3. Turn control knob clockwise  to the OFF position.

4. Wait five (5) minutes to clear out any gas. Then smell for gas, including near the floor. If you smell gas, **STOP!** Follow "B" in the safety information, column 1. If you don't smell gas, go to the next step.
5. Turn control knob counterclockwise  to the PILOT position. Press in control knob for five (5) seconds (see Figure 29).
Note: You may be running this heater for the first time after hooking up to gas supply. If so, the control knob may need to be pressed in for 30 seconds or more. This will allow air to bleed from the gas system.
 - If control knob does not pop out when released, contact a qualified service person or gas supplier for repairs.
6. With control knob pressed in, press and release ignitor button. This will light pilot. The pilot is attached to the front burner. If needed, keep pressing ignitor button until pilot lights.
Note: If pilot does not stay lit, contact a qualified service person or gas supplier for repairs. Until repairs are made, light pilot with match. To light pilot with match, see *Manual Lighting Procedure*, page 20.
7. Keep control knob pressed in for 30 seconds after lighting pilot. After 30 seconds, release control knob.
Note: If pilot goes out, repeat steps 3 through 7. This heater has a safety interlock system. Wait one (1) minute for system to reset before lighting pilot again.
8. Turn control knob counterclockwise  to desired heating level. The burners should light. Set control knob to any heat level between HI and LO.

⚠ CAUTION: Do not try to adjust heating levels by using the equipment shutoff valve.

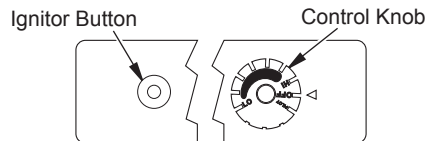


Figure 29 - Control Knob and Ignitor Button

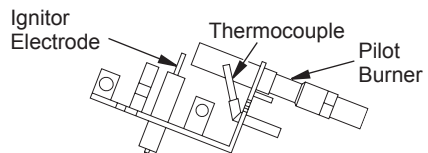


Figure 30 - Pilot (Propane/LP Shown)

OPERATING FIREPLACE


Continued

TO TURN OFF GAS TO APPLIANCE

Shutting Off Heater

Turn control knob clockwise  to the OFF position.

Shutting Off Burner Only (pilot stays lit)

Turn control knob clockwise  to the PILOT position.

THERMOSTAT CONTROL OPERATION

The thermostat control knob can be set to any comfort level between HI and LO. The thermostat will gradually modulate the heat output and flame height from higher to lower settings or pilot, in order to maintain the comfort level you select. The ideal comfort setting will vary by household depending upon the amount of space to be heated, the output of the central heating system, etc.

Note: Selecting the HI setting with the control knob will cause the burner to remain fully on, without modulating down in most cases.

MANUAL LIGHTING PROCEDURE

1. Follow steps 1 through 6 under *Lighting Instructions*, page 19.
2. Depress control knob and light pilot with match.
3. Keep control knob pressed in for 30 seconds after lighting pilot. After 30 seconds, release control knob. Now follow step 8 under *Lighting Instructions*, page 19.

INSPECTING BURNERS

Check pilot flame pattern and burner flame patterns often.

PILOT FLAME PATTERN

Figure 31 shows a correct pilot flame pattern. Figure 32 shows an incorrect pilot flame pattern. The incorrect pilot flame is not properly heating the thermocouple. When the thermocouple cools, the heater will shut down.

If pilot flame pattern is incorrect, as shown in Figure 32

- turn heater off (see *To Turn Off Gas to Appliance*, column 1)
- see *Troubleshooting*, page 23

Note: The correct pilot flame on natural gas units will have a slight curve, but flame should be blue and have no yellow or orange color.

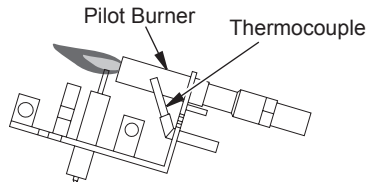


Figure 31 - Correct Pilot Flame Pattern
(propane/LP ignitor shown)

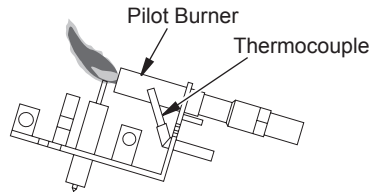


Figure 32 - Incorrect Pilot Flame Pattern
(propane/LP ignitor shown)

INSPECTING BURNERS

Continued

BURNER FLAME PATTERN

Figure 33 shows a correct burner flame pattern. Figure 34 shows an incorrect burner flame pattern. If burner flame pattern is incorrect,

- turn heater off (see *To Turn Off Gas to Appliance*, page 20)
- see *Troubleshooting*, page 23

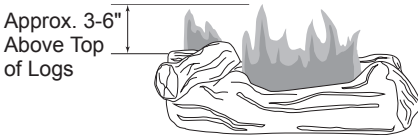


Figure 33 - Correct Flame Pattern with Control Knob Set to High Flame

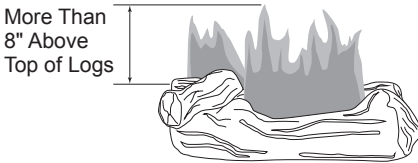


Figure 34 - Incorrect Flame Pattern with Control Knob Set to High Flame

BURNER PRIMARY AIR HOLES

Air is drawn into the burner through the holes in the fitting at the burner entrance. These holes may become blocked with dust or lint. Periodically inspect these holes for any blockage and clean if needed. Blocked air holes will create soot.

MAIN BURNER

Periodically inspect all burner flame holes with the heater running. All slotted burner flame holes should be open with yellow flame present. All round burner flame holes should be open with a small blue flame present. Some burner flame holes may become blocked by debris or rust, with no flame present. If so, turn off heater and let cool. Remove blockage. Blocked burner flame holes will create soot.

CLEANING AND MAINTENANCE

⚠ WARNING: Turn off heater and let cool before cleaning.

⚠ CAUTION: You must keep control areas, burner and circulating air passageways of heater clean. Inspect these areas of heater before each use. Have heater inspected yearly by a qualified service person. Heater may need more frequent cleaning due to excessive lint from carpeting, bedding material, pet hair, etc.

⚠ WARNING: Failure to keep the primary air opening(s) of the burner(s) clean may result in sooting and property damage.

BURNER INJECTOR HOLDER AND PILOT AIR INLET HOLE

The primary air inlet holes allow the proper amount of air to mix with the gas. This provides a clean burning flame. Keep these holes clear of dust, dirt, lint and pet hair. Clean these air inlet holes prior to each heating season. Blocked air holes will create soot. We recommend that you clean the unit every three months during operation and have heater inspected yearly by a qualified service person.

We also recommend that you keep the burner tube and pilot assembly clean and free of dust and dirt. To clean these parts we recommend using compressed air no greater than 30 PSI. Your local computer store, hardware store or home center may carry compressed air in a can. You can use a vacuum cleaner in the blow position. If using compressed air in a can, please follow the directions on the can. If you don't follow directions on the can, you could damage the pilot assembly.

CLEANING AND MAINTENANCE

Continued

1. Shut off the unit, including the pilot. Allow the unit to cool for at least thirty minutes.
2. Inspect burner, pilot and primary air inlet holes on injector holder for dust and dirt (see Figure 35).
3. Blow air through the ports/slots and holes in the burner.
4. Check the injector holder located at the end of the burner tube again. Remove any large particles of dust, dirt, lint or pet hair with a soft cloth or vacuum cleaner nozzle.
5. Blow air into the primary air holes on the injector holder.
6. In case any large clumps of dust have now been pushed into the burner repeat steps 3 and 4.

Clean the pilot assembly also. A yellow tip on the pilot flame indicates dust and dirt in the pilot assembly. There is a small pilot air inlet hole about two inches from where the pilot flame comes out of the pilot assembly (see Figure 36). With the unit off, lightly blow air through the air inlet hole. You may blow through a drinking straw if compressed air is not available.

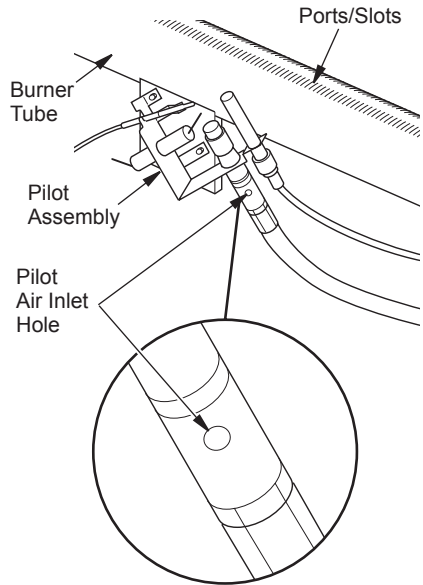


Figure 36 - Pilot Inlet Air Hole

CABINET

Air Passageways

Use a vacuum cleaner or pressurized air to clean.

Exterior

Use a soft cloth dampened with a mild soap and water mixture. Wipe the cabinet to remove dust.

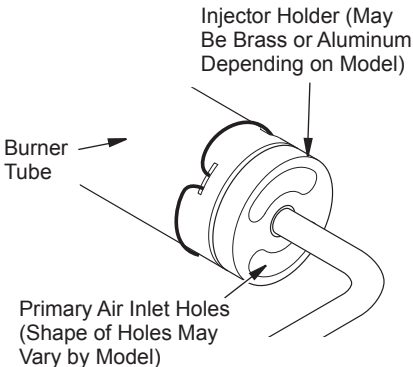


Figure 35 - Injector Holder On Outlet Burner Tube

TROUBLESHOOTING

⚠ WARNING: Turn off heater and let cool before servicing. Only a qualified service person should service and repair heater.

⚠ CAUTION: Never use a wire, needle or similar object to clean ODS/pilot. This can damage ODS/pilot unit.

Note: All troubleshooting items are listed in order of operation.

| OBSERVED PROBLEM | POSSIBLE CAUSE | REMEDY |
|---|---|--|
| When ignitor button is pressed, there is no spark at ODS/pilot | <ol style="list-style-type: none"> 1. Ignitor electrode not connected to ignitor cable 2. Ignitor cable pinched or wet 3. Piezo ignitor nut is loose 4. Broken ignitor cable 5. Bad piezo ignitor 6. Ignitor electrode positioned wrong 7. Ignitor electrode broken | <ol style="list-style-type: none"> 1. Reconnect ignitor cable 2. Free ignitor cable if pinched by any metal or tubing. Keep ignitor cable dry 3. Tighten nut holding piezo ignitor to base panel of log set. Nut is located behind base panel 4. Replace ignitor cable 5. Replace piezo ignitor 6. Replace pilot assembly 7. Replace pilot assembly |
| When ignitor button is pressed, there is spark at ODS/pilot but no ignition | <ol style="list-style-type: none"> 1. Gas supply turned off or equipment shutoff valve closed 2. Control knob not in PILOT position 3. Control knob not pressed in while in PILOT position 4. Air in gas lines when installed 5. Depleted gas supply (propane/LP only) 6. ODS/pilot is clogged 7. Gas regulator setting is not correct | <ol style="list-style-type: none"> 1. Turn on gas supply or open equipment shutoff valve 2. Turn control knob to PILOT position 3. Press in control knob while in PILOT position 4. Continue holding down control knob. Repeat igniting operation until air is removed 5. Contact local propane/LP gas company 6. Clean ODS/pilot (see <i>Cleaning and Maintenance</i>, page 21) or replace ODS/pilot assembly 7. Replace gas control |

TROUBLESHOOTING

Continued

| OBSERVED PROBLEM | POSSIBLE CAUSE | REMEDY |
|---|--|--|
| ODS/pilot lights but flame goes out when control knob is released | <ol style="list-style-type: none">1. Control knob not fully pressed in2. Control knob not pressed in long enough3. Equipment shutoff valve not fully open4. Pilot flame not touching thermocouple, which allows thermocouple to cool, causing pilot flame to go out. This problem could be caused by one or both of the following: A) Low gas pressure B) Dirty or partially clogged ODS/pilot5. Thermocouple connection loose at control valve6. Thermocouple damaged7. Control valve damaged | <ol style="list-style-type: none">1. Press in control knob fully2. After ODS/pilot lights, keep control knob pressed in 30 seconds3. Fully open equipment shutoff valve4. A) Contact local natural or propane/LP gas company B) Clean ODS/pilot (see <i>Cleaning and Maintenance</i>, page 21) or replace ODS/pilot assembly5. Hand tighten until snug, then tighten 1/4 turn more6. Replace pilot assembly7. Replace control valve |
| Burner does not light after ODS/pilot is lit | <ol style="list-style-type: none">1. Inlet gas pressure is too low2. Burner orifice(s) clogged | <ol style="list-style-type: none">1. Contact local natural or propane/LP gas company2. Clean burner(s) (see <i>Cleaning and Maintenance</i>, page 21) or replace burner orifice |
| Delayed ignition of burner | <ol style="list-style-type: none">1. Manifold pressure is too low2. Burner orifice(s) clogged | <ol style="list-style-type: none">1. Contact local natural or propane/LP gas company2. Clean burner(s) (see <i>Cleaning and Maintenance</i>, page 21) or replace burner orifice |
| Burner backfiring during combustion | <ol style="list-style-type: none">1. Burner orifice is clogged or damaged2. Damaged burner3. Gas regulator defective | <ol style="list-style-type: none">1. Clean burner (see <i>Cleaning and Maintenance</i>, page 21) or replace burner orifice2. Replace damaged burner3. Replace gas control |
| Slight smoke or odor during initial operation | <ol style="list-style-type: none">1. Not enough air2. Gas regulator defective3. Residues from manufacturing processes and logs curing | <ol style="list-style-type: none">1. Check burner for dirt and debris. If found, clean burner (see <i>Cleaning and Maintenance</i>, page 21)2. Replace gas control3. Problem will stop after a few hours of operation |

TROUBLESHOOTING

Continued

| OBSERVED PROBLEM | POSSIBLE CAUSE | REMEDY |
|--|---|--|
| Moisture/condensation noticed on windows | 1. Not enough combustion/ventilation air | 1. Refer to <i>Air for Combustion and Ventilation</i> requirements (page 5) |
| Heater produces a whistling noise when burners are lit | 1. Turning control knob to HI position when burners are cold 2. Air in gas line 3. Air passageways on heater blocked 4. Dirty or partially clogged burner orifice(s) | 1. Turn control knob to LO position and let warm up for a minute 2. Operate burners until air is removed from line. Have gas line checked by local natural or propane/LP gas company 3. Observe minimum installation clearances (see page 9) 4. Clean burners (see <i>Cleaning and Maintenance</i> , page 21) or replace burner orifice |
| White powder residue forming within burner box or on adjacent walls or furniture | 1. When heated, vapors from furniture polish, wax, carpet cleaners, etc. may turn into white powder residue | 1. Turn heater off when using furniture polish, wax, carpet cleaners or similar products |
| Heater produces a clicking/ticking noise just after burners are lit or shut off | 1. Metal expanding while heating or contracting while cooling | 1. This is common with most heaters. If noise is excessive, contact qualified service person |

TROUBLESHOOTING

Continued



WARNING: If you smell gas

- Shut off gas supply.
- Do not try to light any appliance.
- Do not touch any electrical switch; do not use any phone in your building.
- Immediately call your gas supplier from a neighbor's phone. Follow the gas supplier's instructions.
- If you cannot reach your gas supplier, call the fire department.

IMPORTANT: Operating heater where impurities in air exist may create odors. Cleaning supplies, paint, paint remover, cigarette smoke, cements and glues, new carpet or textiles, etc., create fumes. These fumes may mix with combustion air and create odors. These odors will disappear over time.

| OBSERVED PROBLEM | POSSIBLE CAUSE | REMEDY |
|--|--|---|
| Heater produces unwanted odors | <ol style="list-style-type: none">1. Heater burning vapors from paint, hair spray, glues, cleaners, chemicals, new carpet, etc. (See <i>IMPORTANT</i> statement above)2. Low fuel supply (propane/LP only)3. Gas leak. See Warning statement at top of page | <ol style="list-style-type: none">1. Open window to ventilate room. Stop using odor causing products while heater is running2. Refill supply tank (propane/LP only)3. Locate and correct all leaks (see <i>Checking Gas Connections</i>, page 17) |
| Heater shuts off in use (ODS operates) | <ol style="list-style-type: none">1. Not enough fresh air is available2. Low line pressure3. ODS/pilot is partially clogged | <ol style="list-style-type: none">1. Open window and/or door for ventilation2. Contact local natural or propane/LP gas company3. Clean ODS/pilot (see <i>Cleaning and Maintenance</i>, page 21) |
| Gas odor even when control knob is in OFF position | <ol style="list-style-type: none">1. Gas leak. See Warning statement at top of page2. Control valve defective | <ol style="list-style-type: none">1. Locate and correct all leaks (see <i>Checking Gas Connections</i>, page 17)2. Replace control valve |
| Gas odor during combustion | <ol style="list-style-type: none">1. Foreign matter between control valve and burner2. Gas leak. See Warning statement at top of page | <ol style="list-style-type: none">1. Take apart gas tubing and remove foreign matter2. Locate and correct all leaks (see <i>Checking Gas Connections</i>, page 17) |

SPECIFICATIONS

| | CF26PTA | CF26NTA |
|-------------------------------------|---|---|
| Btu (Variable) | 19,000/26,000 | 19,000/26,000 |
| Type Gas | Propane/LP | Natural |
| Ignition | Piezo | Piezo |
| Manifold Pressure | 8" W.C. | 3.5" W.C. |
| Inlet Gas Pressure (in. of water) * | | |
| Maximum | 14" | 10.5" |
| Minimum | 11" | 5" |
| Dimensions (H x W x D) | | |
| Fireplace | 25 ⁷ / ₈ " x 27" x 13 ³ / ₄ " | 25 ⁷ / ₈ " x 27" x 13 ³ / ₄ " |
| Carton | 28" x 26 ¹³ / ₁₆ " x 16 ¹ / ₂ " | 28" x 26 ¹³ / ₁₆ " x 16 ¹ / ₂ " |
| Weight, pounds | | |
| Fireplace | 44.5 lbs. | 44.5 lbs. |
| Shipping | 55 lbs. | 55 lbs. |

* For purposes of input adjustment

REPLACEMENT PARTS

Note: Use only original replacement parts. This will protect your warranty coverage for parts replaced under warranty.

PARTS UNDER WARRANTY

Contact authorized dealers of this product. If they can't supply original replacement part(s), call DESA Heating Products' Technical Service Department at 1-866-672-6040.

When calling DESA Heating Products, have ready

- your name
- your address
- model and serial numbers of your heater
- how heater was malfunctioning
- type of gas used (propane/LP or natural gas)
- purchase date

Usually, we will ask you to return the part to the factory.

PARTS NOT UNDER WARRANTY

Contact authorized dealers of this product. If they can't supply original replacement part(s), call DESA Heating Products at 1-866-672-6040 for referral information.

When calling DESA Heating Products, have ready

- model number of your heater
- the replacement part number

SERVICE HINTS

When Gas Pressure Is Too Low

- pilot will not stay lit
- burners will have delayed ignition
- heater will not produce specified heat
- for propane/LP units, propane/LP gas supply may be low

You may feel your gas pressure is too low. If so, contact your local propane/LP or natural gas supplier.

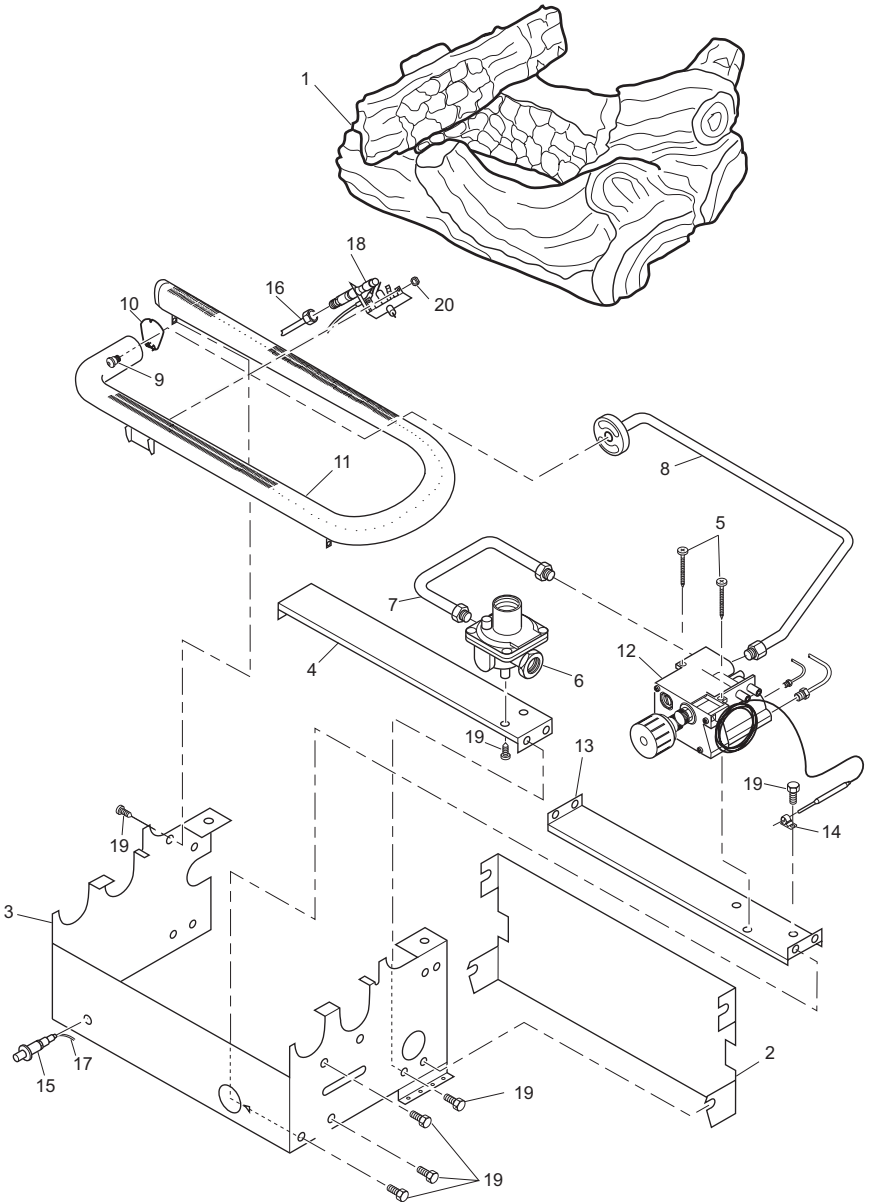
TECHNICAL SERVICE

You may have further questions about installation, operation or troubleshooting. If so, contact DESA Heating Products' Technical Service Department at 1-866-672-6040. When calling please have your model and serial numbers of your heater ready.

You can also visit DESA Heating Products' technical services web site at www.desatech.com.

ILLUSTRATED PARTS BREAKDOWN

MODELS CF26PTA AND CF26NTA



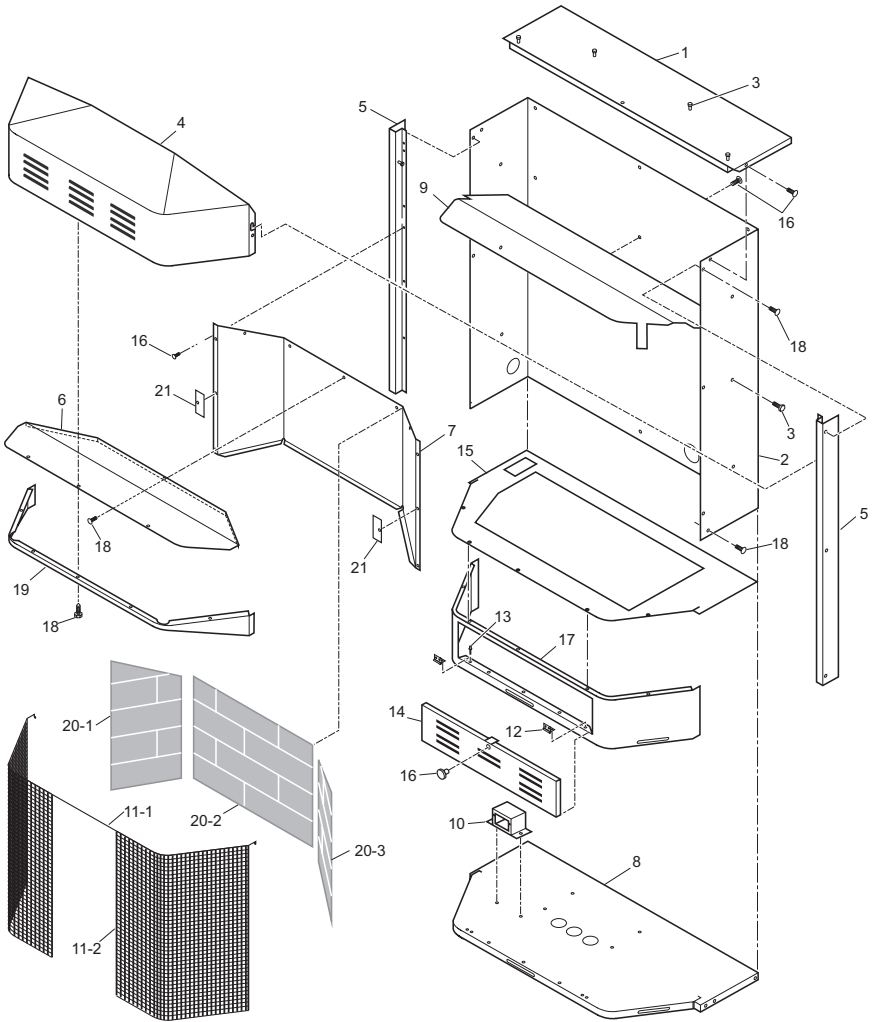
PARTS LIST

This list contains replaceable parts used in your heater. When ordering parts, follow the instructions listed under *Replacement Parts* on page 27 of this manual.

| KEY NO. | PART NUMBER | | DESCRIPTION | QTY. |
|---------|-------------|-----------|-------------------------------|------|
| | CF26PTA | CF26NTA | | |
| 1 | 113342-01 | 113342-01 | Log Set | 1 |
| 2 | 104033-03 | 104033-03 | Baffle, Rear | 1 |
| 3 | 102776-07 | 102776-07 | Base Assembly | 1 |
| 4 | 102844-02 | 102844-02 | Lower Bracket | 1 |
| 5 | 099211-01 | 099211-01 | Screw, 10-16 x 2.50 | 2 |
| 6 | 098867-10 | 098867-14 | Gas Regulator | 1 |
| 7 | 102981-01 | 102981-01 | Inlet Tube | 1 |
| 8 | 102983-06 | 111331-08 | Outlet Burner Tube | 1 |
| 9 | 099056-29 | 099056-20 | Burner Orifice Injector | 1 |
| 10 | 111124-01 | 111124-01 | Burner Retainer Spring | 1 |
| 11 | 102980-01 | 102980-01 | Burner | 1 |
| 12 | 101329-22 | 101329-21 | Thermostat Gas Valve Assembly | 1 |
| 13 | 102979-02 | 102979-02 | Thermostat Bracket | 1 |
| 14 | 098544-01 | 098544-01 | Thermostat Clip | 1 |
| 15 | 102445-01 | 102445-01 | Piezo Ignitor | 1 |
| 16 | 099387-09 | 099387-09 | Pilot Tube | 1 |
| 17 | 098271-10 | 098271-10 | Ignitor Cable | 1 |
| 18 | 104286-01 | 104285-01 | ODS Pilot | 1 |
| 19 | M11084-38 | M11084-38 | Hex Screw, #8-18 x .38 | 12 |
| 20 | 098249-01 | 098249-01 | Nut, M5 | 2 |

ILLUSTRATED PARTS BREAKDOWN

MODELS CF26PTA AND CF26NTA



PARTS LIST

MODELS CF26PTA AND CF26NTA

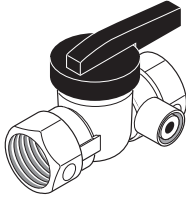
This list contains replaceable parts used in your fireplace. When ordering parts, follow the instructions listed under *Replacement Parts* on page 27 of this manual.

| KEY NO. | PART NUMBER | DESCRIPTION | QTY. |
|------------------------------------|-------------|--------------------------------------|------|
| 1 | 102633-02 | Outer Casing Top | 1 |
| 2 | 102624-02 | Outer Casing | 1 |
| 3 | 099230-02 | Shoulder Screw | 12 |
| 4 | 105631-01CK | Assy. Hood Weldment | 1 |
| 5 | 105258-01CK | Vertical Front, Left and Right Sides | 2 |
| 6 | 105259-01 | Firebox Top | 1 |
| 7 | ** | Firebox Wrapper | 1 |
| 8 | ** | Bayfront Base | 1 |
| 9 | 105421-01 | Heat Deflector | 1 |
| 10 | 105409-01 | Fan Control Shield | 1 |
| 11-1 | 105401-01 | Screen Rod | 1 |
| 11-2 | 105440-01 | Screen Assembly | 1 |
| 12 | 101386-02 | Hinge | 2 |
| 13 | ** | Rivets | 8 |
| 14 | 105262-01CK | Louvered Door | 1 |
| 15 | ** | Firebox Floor | 1 |
| 16 | 098304-01 | Screw, #10 x 3/8" | 21 |
| 17 | 105256-01CK | Bayfront Bottom Panel | 1 |
| 18 | M11084-26 | Hex Head Screws #10 x .38 | 26 |
| 19 | 105513-01CJ | Cover, Screen Rod | 1 |
| 20-1 | 105525-01 | Fiber Brick, Left | 1 |
| 20-2 | 105524-01 | Fiber Brick, Rear | 1 |
| 20-3 | 105526-01 | Fiber Brick, Right | 1 |
| 21 | 105987-01 | Brick Liner Retainer | 2 |
| PARTS AVAILABLE — NOT SHOWN | | | |
| | 103877-01 | Lighting Instructions Plate | 1 |
| | 100563-01 | Warning Plate | 1 |
| | 103470-01 | Hardware Package | 1 |

**Not a field replacement part.

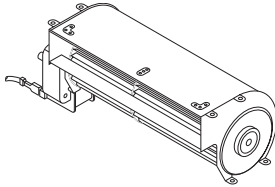
ACCESSORIES

Purchase these heater accessories from your local dealer or Parts Central (page 34). If they can not supply these accessories, call DESA Heating Products at 1-866-672-6040 for referral information. You can also write to the address listed on the back page of this manual.



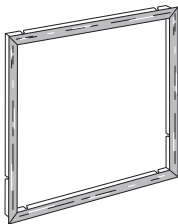
EQUIPMENT SHUTOFF VALVE GA5010

For all models. Equipment shutoff valve with 1/8" NPT tap. Fits 1/2" NPT pipe.



THERMOSTATICALLY CONTROLLED BLOWER KIT - GA3450T

Provides better heat distribution. Blower turns off and on automatically, as needed. Complete installation and operating instructions included.

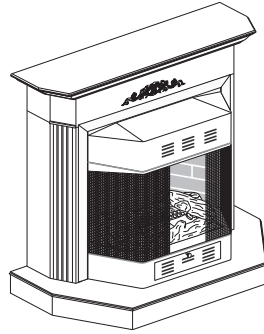


BRASS ACCENT TRIM - GA6095

Optional four-sided trim kit for built-in installations. Provides a finished appearance covering rough edges of wall opening.

BRASS ACCENT TRIM - GA7092 (Not Shown)

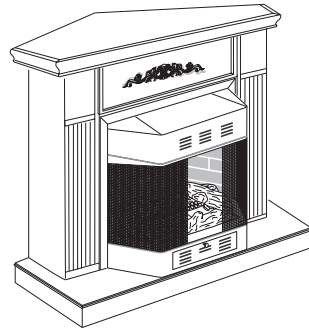
Optional two piece trim kit for the Bayfront Fireplace. Easily screws to fireplace front. Provides an upscale appearance.



CABINET MANTEL WITH BUILT-IN HEARTH BASE

Medium Stained Oak Veneer - GMC45F

For use with fireplace. A hardwood mantel and hearth base offers compact styling and completes the fireplace look. Available in a white lacquer finish, medium stained oak or an unfinished hardwood, ready to stain or paint. Complete assembly instructions included. Three-sided trim kit included.



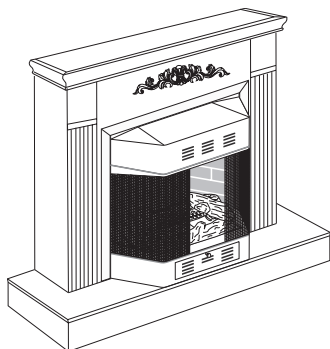
CORNER MANTEL WITH FULL HEARTH BASE

Unfinished Birch Veneer - GMC63U

Space-saving mantel and full hearth base corner design offers classic styling. Available in stained oak or unfinished hardwood, ready to stain or paint. Complete assembly instructions included. Three-sided trim kit included.

ACCESSORIES

Continued



CABINET MANTEL WITH FULL HEARTH BASE

Stained Oak Veneer - GMC60F

Unfinished Birch Veneer GMC61U

The hardwood mantel and full hearth base feature fluted legs and crown molding. Available in medium stained oak, walnut stained hardwood and unfinished hardwood, ready to stain or paint. Complete assembly instructions included. Three-sided trim kit included.

CLEANING KIT - GCK (Not Shown)

For all models. Your vent-free gas appliance requires regular cleaning and maintenance to prevent performance problems. This kit gives you the tools and instructions to make it easy to clean all critical areas of your appliance.

INFORMATION VIDEO - 108917-01

For all models. A care and maintenance video is available by calling 1-866-672-6040. You may also email your request to

productsupport@desaint.com.

PARTS CENTRAL

These Parts Centrals are privately owned businesses. They have agreed to support our customer's needs by providing original replacement parts and accessories.

Tools & Equipment Co.

5 Manila Ave
Hamden, CT 06514-0322
1-800-397-7553
203-248-7553

Portable Heater Parts

342 N. County Rd. 400 East
Valparaiso, IN 46383-9704
219-462-7441
1-888-619-7060
www.portableheaterparts.com
sales@portableheaterparts.com
techservice@portableheaterparts.com

FBD

1349 Adams Street
Bowling Green, KY 42103-3414
270-846-1199
1-800-654-8534
Fax: 1-800-846-0090
franktalk@aol.com

Master Parts Dist.

1251 Mound Ave. NW
Grand Rapids, MI 49504-2672
616-791-0505
1-800-446-1446
www.nbmc.com

Washer Equipment Co.

1715 Main Street
Kansas City, MO 64108-2195
KS, MO, AR
816-842-3911
www.washerparts.com

East Coast Energy

707 Broadway
W. Long Branch, NJ 07764-1542
732-870-8809
1-800-755-8809
www.njplaza.com/ecep

21st Century

2950 Fretz Valley Road
Perkasie, PA 18944-4034
215-795-0400
800-325-4828

Laporte's Parts & Service

2444 N. 5th Street
Hartsville, SC 29550-7704
843-332-0191
Parts Department

Cans Unlimited

P.O. Box 645
Taylor, SC 29687-0013
803-879-3009
1-800-845-5301
cuissales@aol.com

WARRANTY INFORMATION

KEEP THIS WARRANTY

| |
|----------------------|
| Model _____ |
| Serial No. _____ |
| Date Purchased _____ |

Always specify model and serial numbers when communicating with the factory.

We reserve the right to amend these specifications at any time without notice. The only warranty applicable is our standard written warranty. We make no other warranty, expressed or implied.

LIMITED WARRANTY

VENT-FREE GAS BAY FRONT FIREPLACE

DESA International warrants this product to be free from defects in materials and components for two (2) years from the date of first purchase, provided that the product has been properly installed, operated and maintained in accordance with all applicable instructions. To make a claim under this warranty the Bill of Sale or cancelled check must be presented.

This warranty is extended only to the original retail purchaser. This warranty covers the cost of part(s) required to restore this fireplace to proper operating condition and an allowance for labor when provided by a DESA Authorized Service Center. Warranty part(s) MUST be obtained through authorized dealers of this product and/or DESA International who will provide original factory replacement parts. Failure to use original factory replacement parts voids this warranty. The fireplace MUST be installed by a qualified installer in accordance with all local codes and instructions furnished with the unit.

This warranty does not apply to parts that are not in original condition because of normal wear and tear or parts that fail or become damaged as a result of misuse, accidents, lack of proper maintenance or defects caused by improper installation. Travel, diagnostic cost, labor, transportation and any and all such other costs related to repairing a defective fireplace will be the responsibility of the owner.

TO THE FULL EXTENT ALLOWED BY THE LAW OF THE JURISDICTION THAT GOVERNS THE SALE OF THE PRODUCT; THIS EXPRESS WARRANTY EXCLUDES ANY AND ALL OTHER EXPRESSED WARRANTIES AND LIMITS THE DURATION OF ANY AND ALL IMPLIED WARRANTIES, INCLUDING WARRANTIES OF MERCHANTABILITY AND FITNESS FOR A PARTICULAR PURPOSE TO TWO (2) YEARS ON ALL COMPONENTS FROM THE DATE OF FIRST PURCHASE; AND DESA INTERNATIONAL'S LIABILITY IS HEREBY LIMITED TO THE PURCHASE PRICE OF THE PRODUCT AND DESA INTERNATIONAL SHALL NOT BE LIABLE FOR ANY OTHER DAMAGES WHATSOEVER INCLUDING INDIRECT, INCIDENTAL OR CONSEQUENTIAL DAMAGES.

Some states do not allow a limitation on how long an implied warranty lasts or an exclusion or limitation of incidental or consequential damages, so the above limitation on implied warranties or exclusion or limitation on damages may not apply to you.

This warranty gives you specific legal rights and you may also have other rights that vary from state to state.

For information about this warranty write:

DESATM
HEATING PRODUCTS
2701 Industrial Drive
P.O. Box 90004
Bowling Green, KY 42102-9004
www.desatech.com



113896 01
NOT A UPC

113896-01
Rev. B
10/04