



PIXEL NET 4™

user manual 1.0

©2014 **ELATION PROFESSIONAL** all rights reserved. Information, specifications, diagrams, images, and instructions herein are subject to change without notice. ELATION PROFESSIONAL logo and identifying product names and numbers herein are trademarks of ELATION PROFESSIONAL. Copyright protection claimed includes all forms and matters of copyrightable materials and information now allowed by statutory or judicial law or hereinafter granted. Product names used in this document may be trademarks or registered trademarks of their respective companies and are hereby acknowledged. All non-ELATION brands and product names are trademarks or registered trademarks of their respective companies.

ELATION PROFESSIONAL and all affiliated companies hereby disclaim any and all liabilities for property, equipment, building, and electrical damages, injuries to any persons, and direct or indirect economic loss associated with the use or reliance of any information contained within this document, and/or as a result of the improper, unsafe, insufficient and negligent assembly, installation, rigging, and operation of this product.

Elation Professional USA | 6122 S. Eastern Ave. | Los Angeles, CA. 90040
323-582-3322 | 323-832-9142 fax | www.elationlighting.com | info@elationlighting.com

Elation Professional B.V. | Junostraat 2 | 6468 EW Kerkrade, Netherlands
+31 45 546 85 66 | +31 45 546 85 96 fax | www.elationlighting.eu | info@elationlighting.eu

C O N T E N T S

General Information	4
Warranty	6
Safety Instructions	7
Overview and Setup	8
Installation	10
Cleaning and Maintenance	11
Technical Specifications	12
Optional Accessories	13

GENERAL INFORMATION

INTRODUCTION

Congratulations, you have just purchased one of the most innovative and reliable ArtNet to DMX converter on the market today! The **PIXEL NET 4™** has been designed to perform reliably for years when the guidelines in this booklet are followed. Please read and understand the instructions in this manual carefully and thoroughly before attempting to operate this unit. These instructions contain important information regarding safety during use and maintenance.

UNPACKING

Thank you for purchasing the **PIXEL NET 4™** by Elation Professional®. Every **PIXEL NET 4™** has been thoroughly tested and has been shipped in perfect operating condition. Carefully check the shipping carton for damage that may have occurred during shipping. If the carton appears to be damaged, carefully inspect your unit for damage and be sure all accessories necessary to operate the unit have arrived intact. In the event damage has been found or parts are missing, please contact our customer support team for further instructions. Please do not return this unit to your dealer without first contacting customer support at the number listed below. Please do not discard the shipping carton in the trash. Please recycle whenever possible.

BOX CONTENTS

- powerCON Cable
- Manual & Warranty Card

MANUAL UPDATES

Please check www.elationlighting.com for the latest revision/update of this manual.

CUSTOMER SUPPORT

Elation Professional® provides a customer support line, to provide set up help and to answer any question should you encounter problems during your set up or initial operation. You may also visit us on the web at www.elationlighting.com for any comments or suggestions. For service related issue please contact Elation Professional®. Service Hours are Monday through Friday 8:00 a.m. to 5:00 p.m. PST.

Voice: 323-582-3322

Fax: 323-832-9142

E-mail: support@elationlighting.com

Forum: www.ElationLighting.com/forum

WARRANTY REGISTRATION

The **PIXEL NET 4™** carries a two-year (730 days) limited warranty. Please fill out the enclosed warranty card to validate your purchase. All returned service items whether under warranty or not, must be freight pre-paid and accompany a return authorization (R.A.) number. The R.A. number must be clearly written on the outside of the return package. A brief description of the problem as well as the R.A. number must also be written down on a piece of paper and included in the shipping container. If the unit is under warranty, you must provide a copy of your proof of purchase invoice. Items returned without a R.A. number clearly marked on the outside of the package will be refused and returned at customer's expense. You may obtain a R.A. number by contacting customer support at 323-582-3322.



IMPORTANT NOTICE!

There are no user serviceable parts inside this unit. Do not attempt any repairs yourself; doing so will void your manufactures warranty. Damages resulting from modifications to this fixture and/or the disregard of safety and general user instructions found in this user manual void the manufactures warranty and are not subject to any warranty claims and/or repairs.

2 - YEAR LIMITED WARRANTY

A. Elation Professional® hereby warrants, to the original purchaser, Elation Professional® products to be free of manufacturing defects in material and workmanship for a period of two years, (730 days) from the date of purchase. This warranty shall be valid only if the product is purchased within the United States of America, including possessions and territories. It is the owner's responsibility to establish the date and place of purchase by acceptable evidence, at the time service is sought.

B. For warranty service, send the product only to the Elation Professional® factory. All shipping charges must be pre-paid. If the requested repairs or service (including parts replacement) are within the terms of this warranty, Elation Professional® will pay return shipping charges only to a designated point within the United States. If the entire instrument is sent, it must be shipped in its original package. No accessories should be shipped with the product. If any accessories are shipped with the product, Elation Professional® shall have no liability what so ever for loss of or damage to any such accessories, nor for the safe return thereof.

C. This warranty is void if the serial number has been altered or removed; if the product is modified in any manner which Elation Professional® concludes, after inspection, affects the reliability of the product; if the product has been repaired or serviced by anyone other than the Elation Professional® factory unless prior written authorization was issued to purchaser by Elation Professional®; if the product is damaged because not properly maintained as set forth in the instruction manual.

D. This is not a service contract, and this warranty does not include maintenance, cleaning or periodic check-up. During the period specified above, Elation Professional® will replace defective parts at its expense, and will absorb all expenses for warranty service and repair labor by reason of defects in material or workmanship. The sole responsibility of Elation Professional® under this warranty shall be limited to the repair of the product, or replacement thereof, including parts, at the sole discretion of Elation Professional®. All products covered by this warranty were manufactured after January 1, 1990, and bare identifying marks to that effect.

E. Elation Professional® reserves the right to make changes in design and/or improvements upon its products without any obligation to include these changes in any products theretofore manufactured.

F. No warranty, whether expressed or implied, is given or made with respect to any accessory supplied with products described above. Except to the extent prohibited by applicable law, all implied warranties made by Elation Professional® in connection with this product, including warranties of merchantability or fitness, are limited in duration to the warranty period set forth above. And no warranties, whether expressed or implied, including warranties of merchantability or fitness, shall apply to this product after said period has expired. The consumer's and or Dealer's sole remedy shall be such repair or replacement as is expressly provided above; and under no circumstances shall Elation Professional® be liable for any loss or damage, direct or consequential, arising out of the use of, or inability to use, this product.

G. This warranty is the only written warranty applicable to Elation Professional® Products and supersedes all prior warranties and written descriptions of warranty terms and conditions heretofore published.

SAFETY INSTRUCTIONS



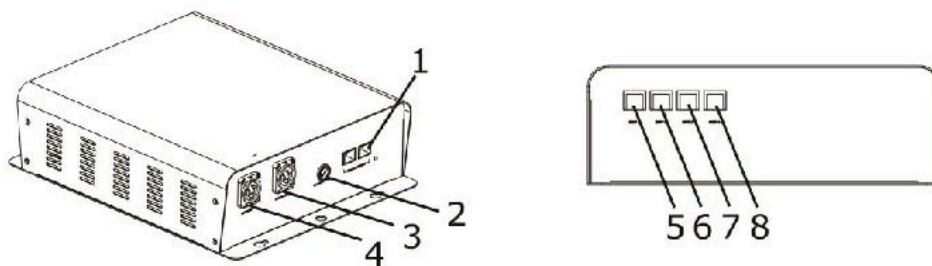
The **PIXEL NET 4™** is an extremely sophisticated piece of electronic equipment. To guarantee a smooth operation, it is important to follow the guidelines in this manual. The manufacturer of this device will not accept responsibility for damages resulting from the misuse of this device due to the disregard of the information printed in this manual.



This device falls under **PROTECTION CLASS 1**. It's essential this device is grounded properly, and only qualified personnel perform all electrical connections.

- For proper operation, only qualified and certified personnel should perform installation of this device. **DO NOT** attempt installation and/or operation without proper knowledge how to do so. Any modifications to this device will void the original manufactures warranty and increase the risk of damage and/or personal injury.
- Air inlets must remain clean and never blocked. Device must be installed in a location with adequate ventilation. Allow approx. 6" (15cm) between this device and other devices or a wall for proper cooling.
- Always disconnect from main power source before performing any type of service and/or cleaning procedure. Only handle the power cord by the plug end, never pull out plug by tugging wire the cord.
- **DO NOT** remove or break off the ground prong from the power cord.
- **DO NOT** operate device if the power cord has become frayed, crimped and/or damaged. If the power cord is damaged, replace it immediately with a new one of similar power rating.
- **NEVER OPEN DEVICE WHILE IN USE!**
- **DO NOT CONNECT THIS DEVICE TO A DIMMER PACK!**
- This device is designed for **INDOOR / DRY LOCATIONS ONLY**.
- **DO NOT** operate device in areas subject to extreme vibrations or bumps.
- **NO FLAMMABLE MATERIALS** close to this device while operating, to prevent any fire hazard.
- **DO NOT** permit operation by persons who are not qualified for operating this type device. Most damages are the result of operations by nonprofessionals.
- Please use the original packaging and materials to transport this device in for service.

OVERVIEW



- | | |
|---------------------------|-------------|
| 1. Art-Net Input / Output | 5. Output 1 |
| 2. Fuse | 6. Output 2 |
| 3. AC Out | 7. Output 3 |
| 4. AC IN | 8. Output 4 |

SETUP

POWER CONNECTION

PIXEL NET 4™ has a universal auto switching power supply: **AC 90-240V 50/60Hz**.

Multiple units can be power linked together: **MAX 6 units @120V / MAX 12 units @220V**

ART-NET CONNECTION

PIXEL NET 4™ has (2) CAT5 RJ45 ports, one for **INPUT** and one for **OUTPUT**, which can be used to data link multiple **PIXEL NET 4™** units together.

DEVICE ID

Each **PIXEL NET 4™** has been pre-assigned with a unique **Device ID**, which is labeled on the unit below the powerCON connectors. (See below) Please make sure your computer system is setup to operate within the range of the IP address listed. (For example: 2.0.14.xx)

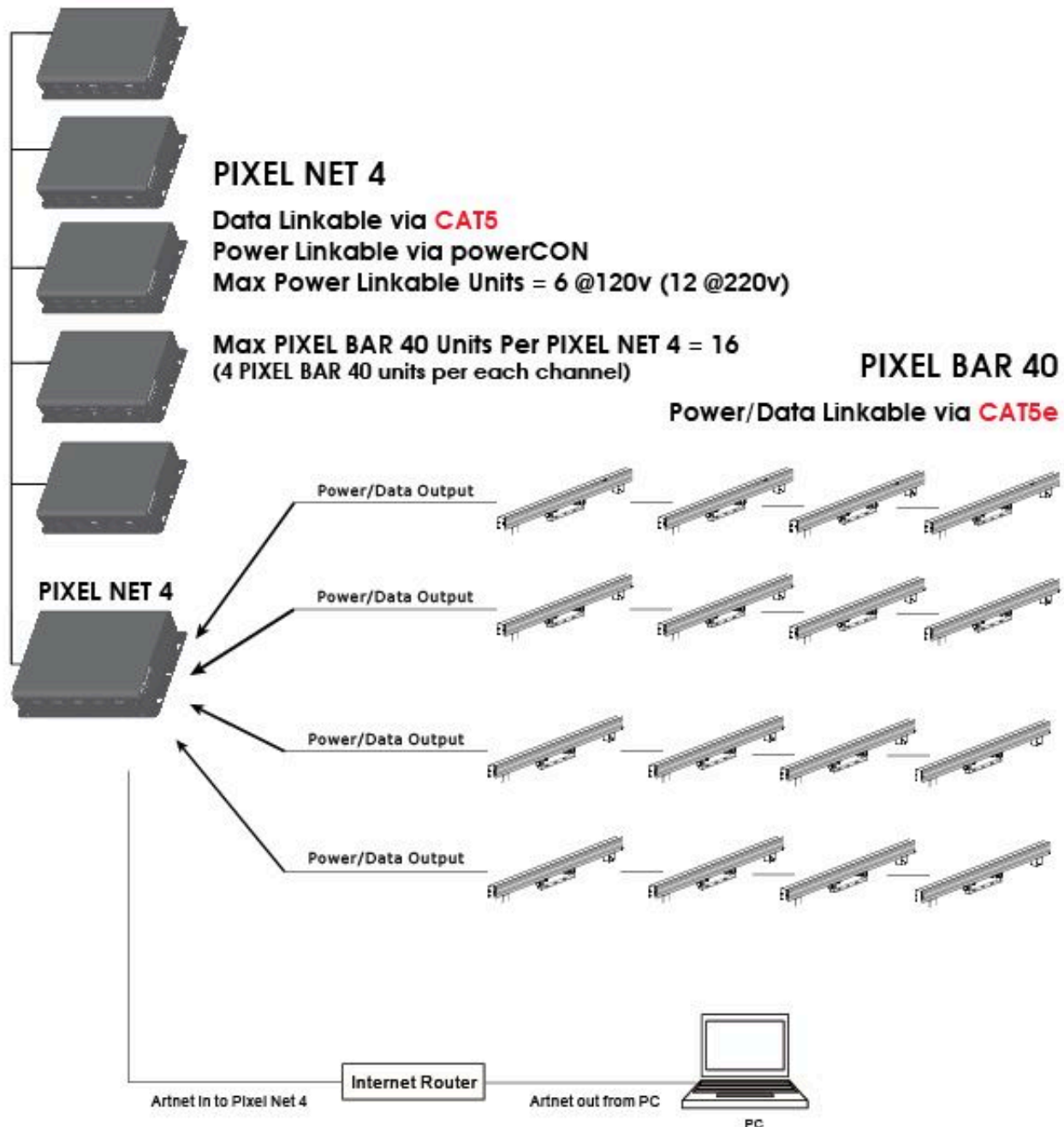


PIXEL NET4™ has (4) CAT5e RJ45 **OUTPUT** ports to supply power/data to **PIXEL BAR 40™** fixtures, each port can support a MAX of (4) **PIXEL BAR 40™** fixtures, a total MAX of (16) **PIXEL BAR 40™** fixtures per **PIXEL NET 4™** device. (640 Total Pixels)

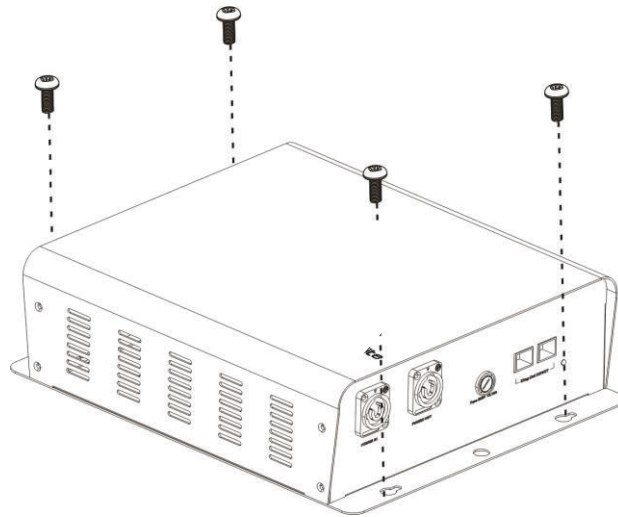
Art-Net Input Pin Assignment



TYPICAL PIXEL BAR 40™ + PIXEL NET 4™ SYSTEM CONFIGURATION / CONNECTION (See below)



INSTALLATION



CAUTIONS

- For added protection, mount the device in areas outside walking paths, seating areas, or in areas where unauthorized personnel might reach the device.
- Ambient operating temperature range for this fixture is **32° to 104°F (0° to 40°C)**. Do not use the device under or above this temperature.
- Before mounting the device to any surface, make sure the installation area can hold a minimum point load of 10 times the weight of the device. **(80 lbs / 36 kg)**
- Device installation must always be secured with a secondary safety attachment, such as an appropriate safety cable.
- Never stand directly below the device when mounting, removing or servicing.

SAFETY CABLE

Always use a Safety Cable whenever installing this device in a suspended environment to ensure the device will not drop if the installation method fails.

CLEANING AND MAINTENANCE



CAUTION!

Disconnect from mains before starting maintenance operation.

CLEANING

The frequency of cleaning depends on the environment in which the device operates: damp, smoky or particularly dirty environments can cause greater accumulation of dirt on the device.

- Clean the device with a soft cloth, vacuum, or air compressor to avoid dirt/debris accumulation. Never use alcohol, solvents, or ammonia based cleaners.

MAINTENANCE

Regular inspections are recommended to insure proper function and extended life. There are no user serviceable parts inside this device, please refer all other service issues to an authorized Elation service technician. Should you need any spare parts, please order genuine parts from your local Elation dealer.

Please refer to the following points during routine inspections:

- A detailed electric check by an approved electrical engineer every 3 months, to make sure the circuit contacts are in good condition and prevent overheating.
- Be sure all screws and fasteners are securely tightened at all times. Loose screws may fall out during normal operation resulting in damage or injury.
- Check for any deformations on the housing, rigging hardware and rigging points (ceiling, suspension, trussing). Deformations in the housing could allow for dust to enter into the fixture. Damaged rigging points or unsecured rigging could cause the fixture to fall and seriously injure a person(s).
- Electric power supply cables must not show any damage, material fatigue or sediments. Never remove the ground prong from the power cable.

TECHNICAL SPECIFICATIONS

FEATURES

ArtNet Protocol Support

(1) ArtNet Input / (4) DMX Universes

CONTROL / CONNECTIONS

(1) RJ45 CAT5 ArtNet Input + (1) RJ45 CAT5 ArtNet Output

(4) RJ45 CAT5e Outputs

powerCON In/Out

Multiple Unit Linkable: 3 units @120V / 6 units @220V

SIZE / WEIGHT

Length: 12.2" (310mm)

Width: 10.0" (255mm)

Vertical Height: 3.4" (86.2mm)

Weight: 8.0 lbs. (3.6kg)

ELECTRICAL / THERMAL

AC 90-240V - 50/60Hz

350W Max Power Consumption

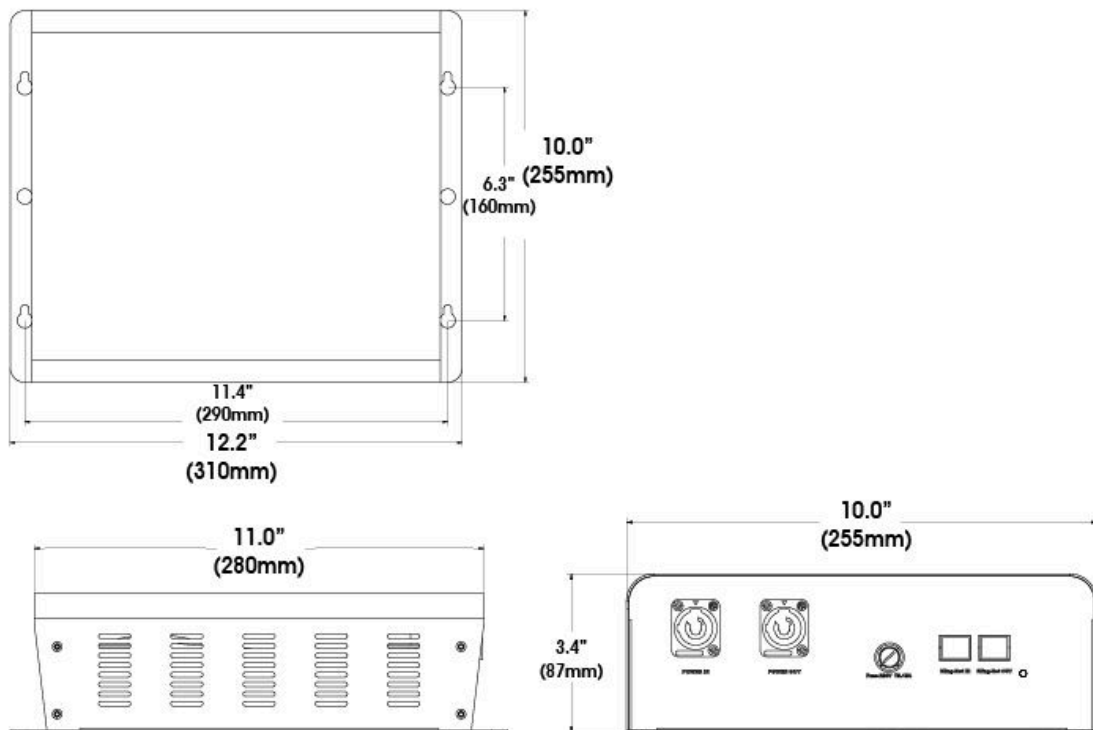
32°F to 104°F (0°C to 40°C)

APPROVALS / RATINGS

CE Approved

cETLus Pending

DIMENSIONAL DRAWINGS



Please Note: Specifications and improvements in the design of this unit and this manual are subject to change without any prior written notice.

OPTIONAL ACCESSORIES

ORDER CODE	ITEM
PLC3	3 ft (1m) powerCON Link Cable
PLC6	6 ft (2m) powerCON Link Cable
PLC10	10 ft (3m) powerCON Link Cable
PLC15	15 ft (5m) powerCON Link Cable

