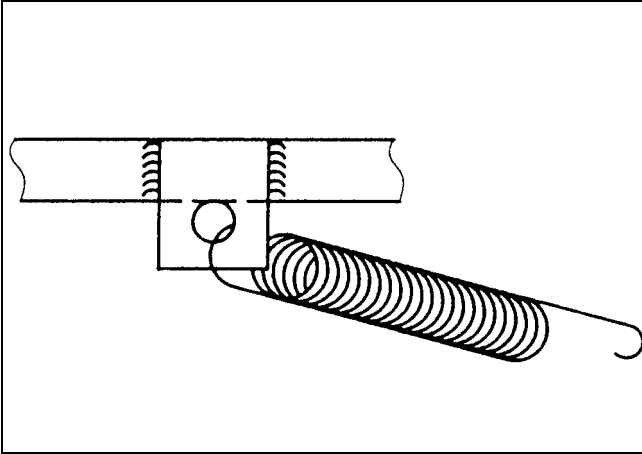


STIGA PARK

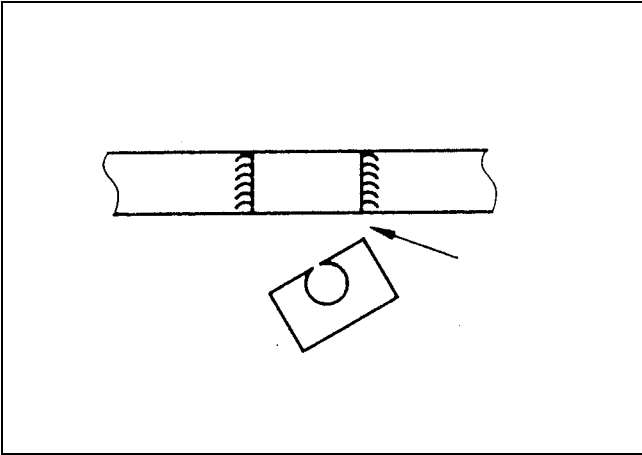
107M

8211-3036-01

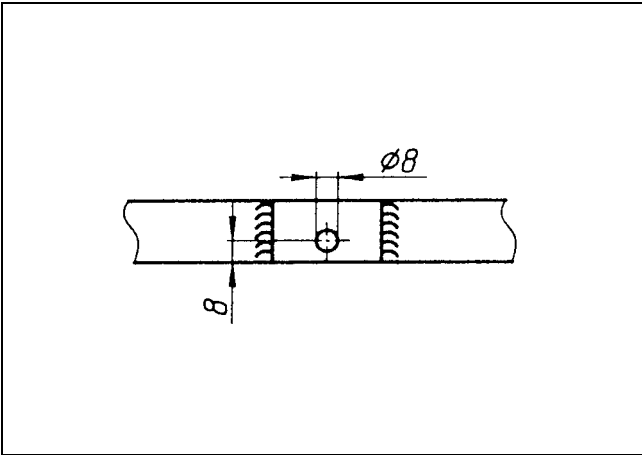




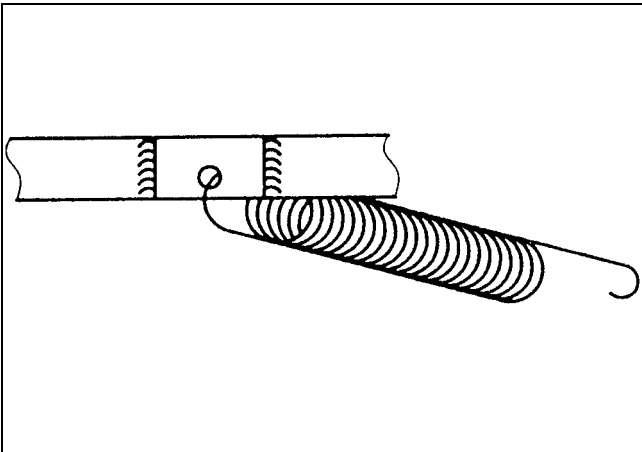
1. Park -1993



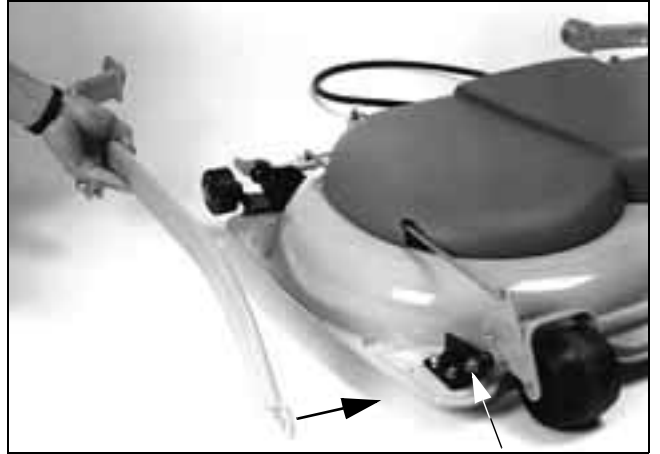
2. Park -1993



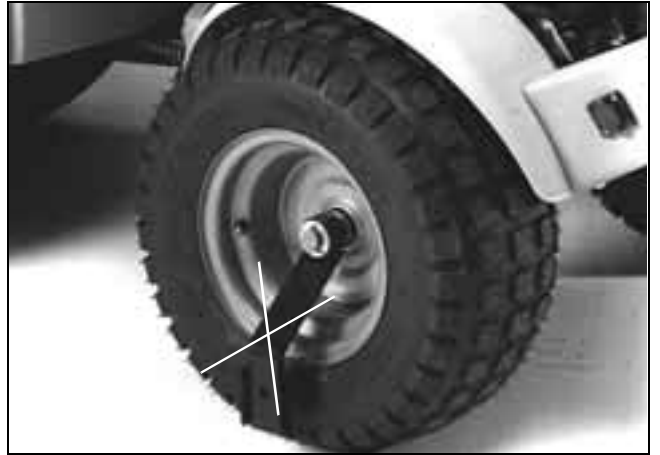
3. Park -1993



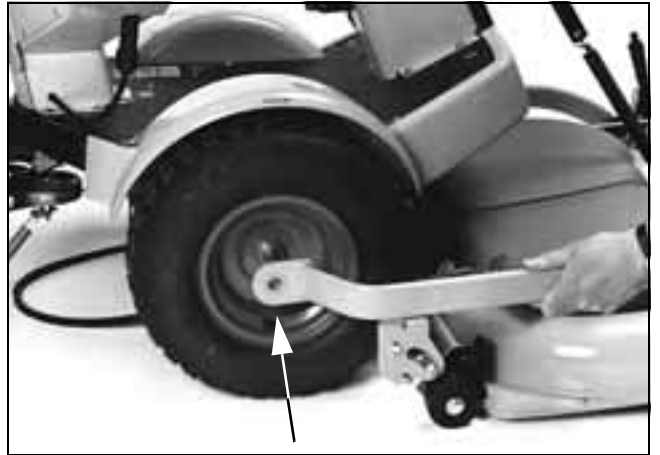
4. Park -1993



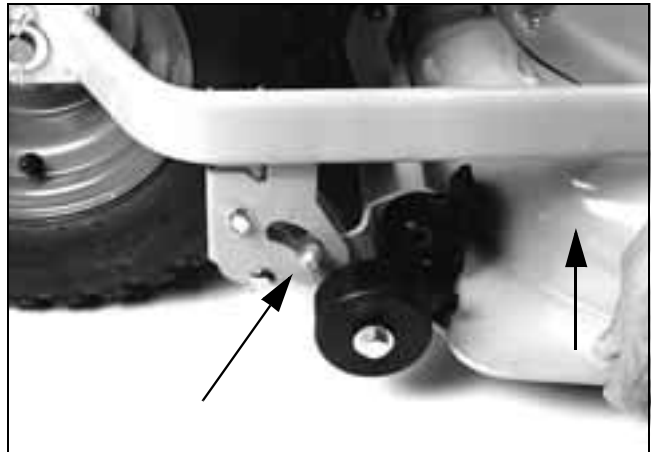
5.



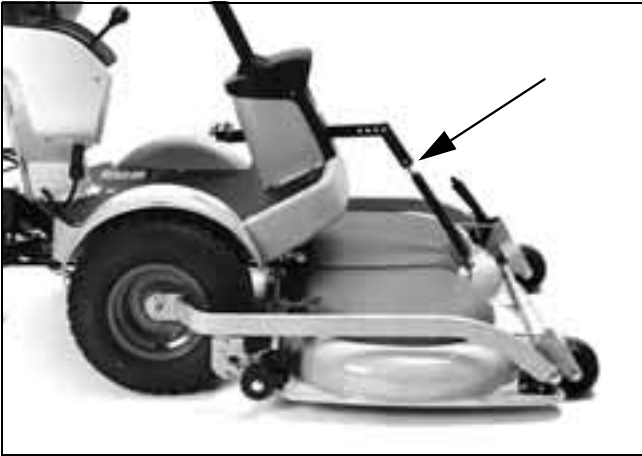
6.



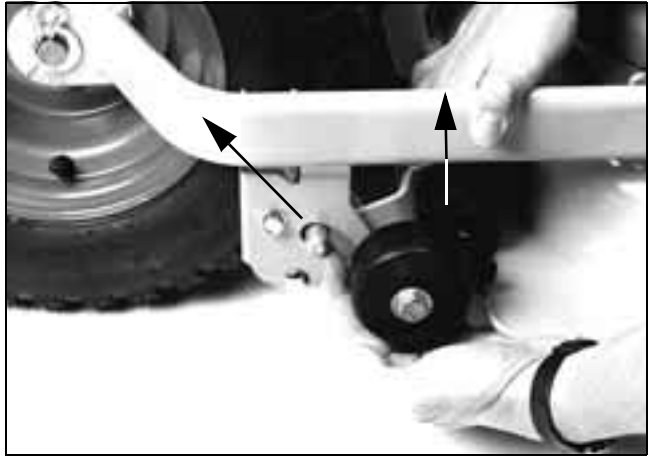
7.



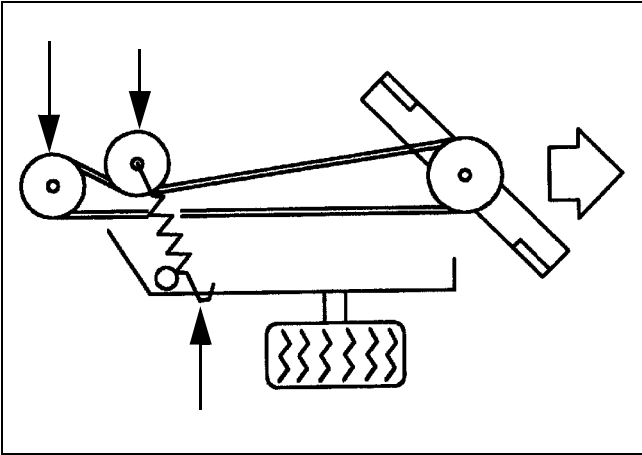
8.



9.



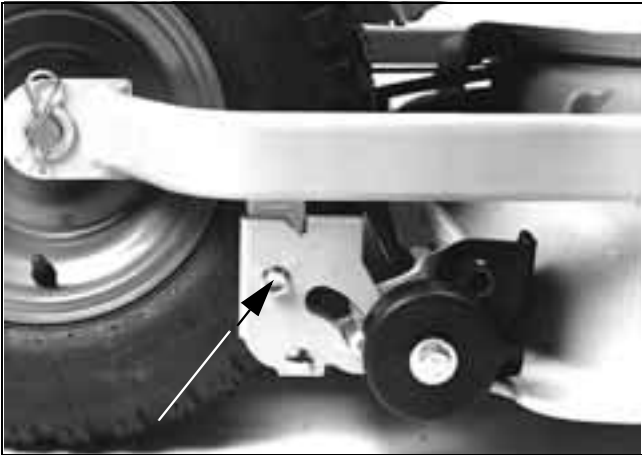
13.



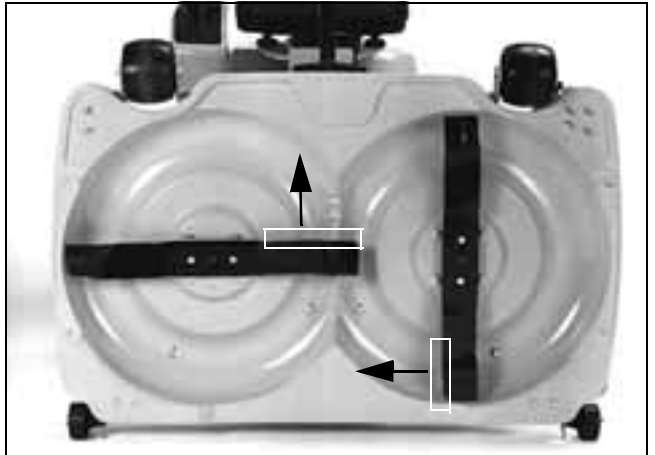
10.



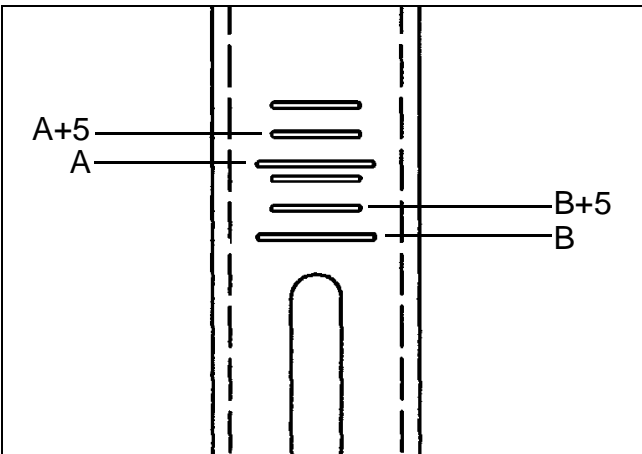
14.



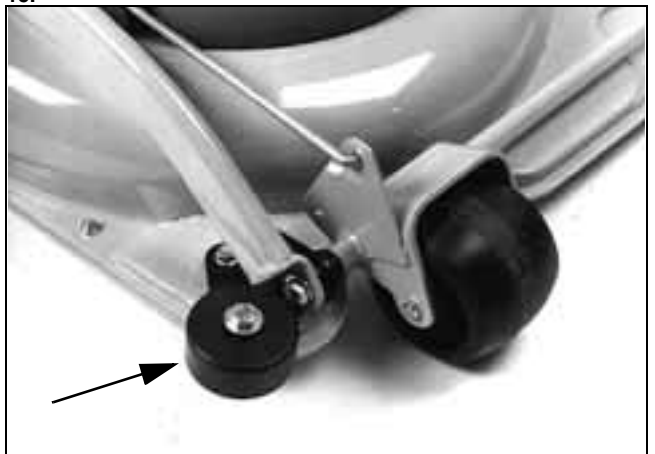
11.



15.



12.



16.

SYMBOLS

The following symbols are displayed on the machine in order to remind you about the safety precautions and attention necessary when using the machine.

The symbols mean:



Warning!
Read the instruction book and safety manual before using the machine.



Warning!
Do not put hands or feet under the cover of the machine when it is running.



Warning!
Beware of objects being flung out. Keep spectators away.



Warning!
Before starting any repair work, remove the spark plug cable from the spark plug.

PREPARATIONS

Park models up to 1993:

A modification must be made to the machine in order to use the mower deck.

1. Dismantle the return spring for centre steering (fig. 1).
2. Saw off the spring bracket, level with the frame side member (fig. 2).
3. Drill a new hole (Ø 8 mm), 8 mm from the lower edge of the frame side member (fig. 3).
4. Fit the spring in the new hole (fig. 4).

ASSEMBLY

SUPPORT ARMS

1. Assemble the left and right support arms in the mowing deck's front corners. Use existing screw and flat washer (fig. 5). Tighten the screw. Do not tighten too hard. It should be possible to move the support arms up and down.

2. Do not hook the rear part of the support arms into the deck yet (see "mowing deck" point 4 below).

MOWING DECK

1. If the machine has the ordinary attachment fasteners assembled, remove them (fig. 6). The flat washer, but not the spring clip, will be used again (see point 3).
2. Place the mowing deck in front of the machine. Set the highest mowing height.
3. Put one of the support arms on the machine's front axle trunnion (fig. 7). Place the flat washer on the axle trunnion and lock it in place with the enclosed locking pin. Do the same thing on the other side.
4. Lift up the rear part of the deck beyond the inhibitor, until it falls down. When the weight of the deck rests on the upper side of the inhibitor, the assembly is correct (fig. 8).
5. Hook the mower deck's lifting spring into the attachment lift (fig. 9).

V-BELT

1. Pull the V-belt over the machine's central belt pulley (fig. 10).
2. Tension the belt using the tension roller. The tension roller should be on the left of the belt seen from the operator's position.
- 3a. Park -1999:
Hook the tension roller spring into the floor on the right-hand side (fig. 10).
- 3b. Park 2000-
Hook the tension roller spring into the fastener, just behind the front right wheel (fig. 10).

SETTING

For the deck to mow evenly and cleanly, it needs to be adjusted correctly:

1. Make sure the tyre pressure is correct:
Front: 0,6 bar (9 psi).
Rear: 0,4 bar (6 psi).
2. Place the machine on a flat surface. Loosen the screws on both sides of the mowing deck. (fig. 11).

3. To the side of the support arm, there are four short and two long lines. The upper long line (A) is the basic setting for a machine with 16" tyres. The lower line (B) is for a machine with 17" tyres (fig. 12).

Note! Park Pro 16, Pro 18 and Pro 20 - year model 2000 - have 17" wheels. All other models have 16" wheels.

Depending on the length of the grass, the mower deck can be adjusted in different ways:

4a. Mowing normal length grass:

Adjust the mower deck so that the casing's front and rear edges are the same height from the floor. Use position A resp. B. This position gives the best "Multiclip effect", i.e. the grass is shredded best in this position.

4b. Mowing long grass:

Adjust the mower deck so that the casing's rear edge is higher than the front edge. Use position A+5 resp. B+5. This position ensures that the mowing deck can discharge the grass easier out of the rear.

5. After setting the mower deck, tighten the screws.

USE

MOWING HEIGHT

The mower deck has a number of fixed mowing heights, from 30 to 75 mm.

Note! The stated mowing heights apply when the machine is standing on firm ground.

MOWING HINTS

For the best "Multiclip" effect, follow this advice:

- Mow regularly.
- Use full throttle on the engine.
- Keep the underside of the mower deck clean.
- Use sharp blades.
- Do not mow wet grass.
- Mow twice (using different heights) if the grass is long.

SERVICE AND MAINTENANCE

PREPARATIONS

Unless otherwise stated, all service and maintenance must be performed on a machine that is standing still where the engine has been switched off.



Prevent the machine from rolling, by always applying the parking brake.



Prevent involuntary engine start by always stopping the engine, loosening the spark plug cable from the sparking plug and earthing it. Remove the minus (-) cable from the battery.

MAINTENANCE TIPS

To facilitate cleaning and maintenance, the mower deck can be folded up:

1. Unhook the tension roller spring (fig. 10).
2. Pry off the V-belt from the central belt pulley.
3. Set the mowing height adjustment to the highest mowing height.
4. Lift the rear edge of the mowing deck with one hand (fig. 13).
5. Push up the inhibitor and lower the rear edge of the mowing deck (fig. 13).
6. Repeat the procedure on the other side.
7. Fold up the mower deck until it stands upright (fig. 14).

When the mowing deck is folded down to the working position, make sure that the inhibitor falls down into a position where the rear edge of the mowing deck is lifted up (fig. 8).

CLEANING

After each use, the underside of the mower deck should be hosed down.

If grass cuttings have dried on the mower deck, scrape the underside clean.

If necessary, touch-up the underside using a suitable paint to prevent corrosion.

BLADES



Use protective gloves to prevent cuts when changing blades.

Make sure the blades are always sharp. This gives the best mowing results.

Always check the blades after an impact. If the blade system has been damaged, the defective parts must be replaced.



Always use original spare parts. Using non-original spare parts can result in the risk of damage even if they fit in the machine.



The blades are contra-rotating. This means that there is a right blade and a left blade. When replacing blades, make sure that they are assembled correctly.

Assemble the blades in accordance with figure 15 where the blade tips are marked. The blade's folded up edge must be placed inwards towards the blade fastener.

When changing blades, the blade nuts and bolts should also be changed. Tightening torque: 24 Nm.

DRIVE BELT

Both blades are driven inside the mowing deck by a toothed drive belt.

If any of the blades have hit a solid object (e.g. a stone), the belt tension can change. This means that the drive belt can “miss-mesh”, which in the long term can damage the blades.



After a heavy impact, always check that both blades are positioned at right angles to each other (fig. 15).

The blades' respective work areas overlap one another. If the blades' positions in relation to one another have been changed, there is a great risk that they can impact each other. This results in serious damage to the mowing deck.

If this is the case, take the machine with mowing deck to a service workshop for repair and inspection.

SPARE PARTS

STIGA original spare parts and accessories are specially designed for STIGA machines. Note that “non-original” spare parts and accessories have not been inspected or approved by STIGA.



The use of such parts and accessories can affect the function and safety of the machine. STIGA can not be held responsible for damage/injury caused by such products.

ACCESSORIES

For mowing close up to houses and garden walls, the mowing deck can be equipped with support rollers in the front edges to protect against damage (fig. 16).

PATENT - PROTECTION OF DESIGNS

This machine, or parts thereof, is protected by the following patent and protection of design:

DESIGN APPLICATION

Sweden no. 99 1161

PATENT APPLICATION

Sweden no. 9900903-7
9902299-8

STIGA reserves the right to modify the product without giving any prior notice.