

FS-C5015N  
FS-C5025N  
FS-C5030N

# Operation Guide





# Contents

<b>1</b>	<b>Machine Parts</b>	
	Components at the Front of the Printer . . . . .	1-2
	Components at the Left of the Printer . . . . .	1-2
	Internal Components . . . . .	1-3
	Components at the Rear of the Printer . . . . .	1-4
<b>2</b>	<b>Printing Operation</b>	
	Loading Printer Driver . . . . .	2-2
	Printing from Application Software . . . . .	2-3
<b>3</b>	<b>Maintenance</b>	
	General Information . . . . .	3-2
	Toner Container Replacement . . . . .	3-3
	Cleaning the Printer . . . . .	3-8
	Replacing the Waste Toner Box . . . . .	3-15
<b>4</b>	<b>Troubleshooting</b>	
	General Guidelines . . . . .	4-2
	Print Quality Problems . . . . .	4-3
	Error Messages . . . . .	4-7
	Clearing Paper Jams . . . . .	4-13
<b>5</b>	<b>Specifications</b>	



# Legal and Safety Information

---

**CAUTION: NO LIABILITY IS ASSUMED FOR ANY DAMAGE CAUSED BY IMPROPER INSTALLATION.**

---

## Notice on Software

SOFTWARE USED WITH THIS PRINTER MUST SUPPORT THE PRINTER'S EMULATION MODE. The printer is factory-set to emulate the PCL.

## Notice

The information in this guide is subject to change without notification. Additional pages may be inserted in future editions. The user is asked to excuse any technical inaccuracies or typographical errors in the present edition.

No responsibility is assumed if accidents occur while the user is following the instructions in this guide. No responsibility is assumed for defects in the printer's firmware (contents of its read-only memory).

This guide, any copyrightable subject matter sold or provided with or in connection with the sale of the page printer, are protected by copyright. All rights are reserved. Copying or other reproduction of all or part of this guide, any copyrightable subject matter without the prior written consent of Kyocera Mita Corporation is prohibited. Any copies made of all or part of this guide, any copyrightable subject must contain the same copyright notice as the material from which the copying is done.

## Regarding Tradenames

PRESCRIBE is a registered trademark of Kyocera Corporation. KPDL is trademark of Kyocera Corporation.

Hewlett-Packard, PCL, and PJI are registered trademarks of Hewlett-Packard Company. Centronics is a trade name of Centronics Data Computer Inc. PostScript is a registered trademark of Adobe Systems Incorporated. Macintosh is a registered trademark of Apple Computer, Inc. Microsoft, Windows, and Windows NT are registered trademarks of Microsoft Corporation. PowerPC and Microdrive are trademarks of International Business Machines Corporation. CompactFlash is a trademark of SanDisk Corporation. ENERGY STAR is a U.S. registered mark. All other brand and product names are registered trademarks or trademarks of their respective companies.

This product uses PeerlessPrintXL to provide the HP LaserJet compatible PCL 6 language emulation. PeerlessPrintXL is a trademark of Peerless

---

Systems Corporation, 2381 Rosecrans Ave. El Segundo, CA 90245,  
U.S.A.

This product was developed using the Tornado™ Real Time Operating  
System and Tools from Wind River Systems.

This product contains UFST™ and MicroType® from Monotype Imaging  
Inc.

## USB



This product has been certified by the USB Implementers Forum, Inc.

---

## License Agreements

### IBM Program License Agreement

THE DEVICE YOU HAVE PURCHASED CONTAINS ONE OR MORE SOFTWARE PROGRAMS ("PROGRAMS") WHICH BELONG TO INTERNATIONAL BUSINESS MACHINES CORPORATION ("IBM"). THIS DOCUMENT DEFINES THE TERMS AND CONDITIONS UNDER WHICH THE SOFTWARE IS BEING LICENSED TO YOU BY IBM. IF YOU DO NOT AGREE WITH THE TERMS AND CONDITIONS OF THIS LICENSE, THEN WITHIN 14 DAYS AFTER YOUR ACQUISITION OF THE DEVICE YOU MAY RETURN THE DEVICE FOR A FULL REFUND. IF YOU DO NOT SO RETURN THE DEVICE WITHIN THE 14 DAYS, THEN YOU WILL BE ASSUMED TO HAVE AGREED TO THESE TERMS AND CONDITIONS.

The Programs are licensed not sold. IBM, or the applicable IBM country organization, grants you a license for the Programs only in the country where you acquired the Programs. You obtain no rights other than those granted you under this license.

The term "Programs" means the original and all whole or partial copies of it, including modified copies or portions merged into other programs. IBM retains title to the Programs. IBM owns, or has licensed from the owner, copyrights in the Programs.

#### 1. License

Under this license, you may use the Programs only with the device on which they are installed and transfer possession of the Programs and the device to another party.

If you transfer the Programs, you must transfer a copy of this license and any other documentation to the other party. Your license is then terminated. The other party agrees to these terms and conditions by its first use of the Program.

You may not:

- 1 use, copy, modify, merge, or transfer copies of the Program except as provided in this license;
- 2 reverse assemble or reverse compile the Program; or
- 3 sublicense, rent, lease, or assign the Program.

#### 2. Limited Warranty

The Programs are provided "AS IS."

THERE ARE NO OTHER WARRANTIES COVERING THE PROGRAMS (OR CONDITIONS), EXPRESS OR IMPLIED, INCLUDING, BUT NOT LIMITED TO, THE IMPLIED WARRANTIES OF MERCHANTABILITY AND FITNESS FOR A PARTICULAR PURPOSE.

---

Some jurisdictions do not allow the exclusion of implied warranties, so the above exclusion may not apply to you.

### **3. Limitation of Remedies**

IBM's entire liability under this license is the following:

For any claim (including fundamental breach), in any form, related in any way to this license, IBM's liability will be for actual damages only and will be limited to the greater of:

- 1** the equivalent of U.S. \$25,000 in your local currency; or
- 2** IBM's then generally available license fee for the Program

This limitation will not apply to claims for bodily injury or damages to real or tangible personal property for which IBM is legally liable.

IBM will not be liable for any lost profits, lost savings, or any incidental damages or other economic consequential damages, even if IBM, or its authorized supplier, has been advised of the possibility of such damages. IBM will not be liable for any damages claimed by you based on any third party claim. This limitation of remedies also applies to any developer of Programs supplied to IBM. IBM's and the developer's limitations of remedies are not cumulative. Such developer is an intended beneficiary of this Section. Some jurisdictions do not allow these limitations or exclusions, so they may not apply to you.

### **4. General**

You may terminate your license at any time. IBM may terminate your license if you fail to comply with the terms and conditions of this license. In either event, you must destroy all your copies of the Program. You are responsible for payment of any taxes, including personal property taxes, resulting from this license. Neither party may bring an action, regardless of form, more than two years after the cause of action arose. If you acquired the Program in the United States, this license is governed by the laws of the State of New York. If you acquired the Program in Canada, this license is governed by the laws of the Province of Ontario. Otherwise, this license is governed by the laws of the country in which you acquired the Program.

## **Typeface Trademark Acknowledgement**

All resident fonts in this printer are licensed from Monotype Imaging Inc.

Helvetica, Palatino and Times are registered trademarks of Linotype-Hell AG. ITC Avant Garde Gothic, ITC Bookman, ITC ZapfChancery and ITC Zapf Dingbats are registered trademarks of International Typeface Corporation.



---

## Monotype Imaging License Agreement

- 1 “Software” shall mean the digitally encoded, machine readable, scalable outline data as encoded in a special format as well as the UFST Software.
- 2 You agree to accept a non-exclusive license to use the Software to reproduce and display weights, styles and versions of letters, numerals, characters and symbols (“Typefaces”) solely for your own customary business or personal purposes at the address stated on the registration card you return to Monotype Imaging. Under the terms of this License Agreement, you have the right to use the Fonts on up to three printers. If you need to have access to the fonts on more than three printers, you need to acquire a multi-user license agreement which can be obtained from Monotype Imaging. Monotype Imaging retains all rights, title and interest to the Software and Typefaces and no rights are granted to you other than a License to use the Software on the terms expressly set forth in this Agreement.
- 3 To protect proprietary rights of Monotype Imaging, you agree to maintain the Software and other proprietary information concerning the Typefaces in strict confidence and to establish reasonable procedures regulating access to and use of the Software and Typefaces.
- 4 You agree not to duplicate or copy the Software or Typefaces, except that you may make one backup copy. You agree that any such copy shall contain the same proprietary notices as those appearing on the original.
- 5 This License shall continue until the last use of the Software and Typefaces, unless sooner terminated. This License may be terminated by Monotype Imaging if you fail to comply with the terms of this License and such failure is not remedied within thirty (30) days after notice from Monotype Imaging. When this License expires or is terminated, you shall either return to Monotype Imaging or destroy all copies of the Software and Typefaces and documentation as requested.
- 6 You agree that you will not modify, alter, disassemble, decrypt, reverse engineer or decompile the Software.
- 7 Monotype Imaging warrants that for ninety (90) days after delivery, the Software will perform in accordance with Monotype Imaging-published specifications, and the diskette will be free from defects in material and workmanship. Monotype Imaging does not warrant that the Software is free from all bugs, errors and omissions.
- 8 THE PARTIES AGREE THAT ALL OTHER WARRANTIES, EXPRESSED OR IMPLIED, INCLUDING WARRANTIES OF FITNESS FOR A PARTICULAR PURPOSE AND MERCHANTABILITY, ARE EXCLUDED.
- 9 Your exclusive remedy and the sole liability of Monotype Imaging in connection with the Software and Typefaces is repair or replacement of defective parts, upon their return to Monotype Imaging.

- 
- 10** IN NO EVENT WILL MONOTYPE IMAGING BE LIABLE FOR LOST PROFITS, LOST DATA, OR ANY OTHER INCIDENTAL OR CONSEQUENTIAL DAMAGES, OR ANY DAMAGES CAUSED BY ABUSE OR MISAPPLICATION OF THE SOFTWARE AND TYPEFACES.
  - 11** Massachusetts U.S.A. law governs this Agreement.
  - 12** You shall not sublicense, sell, lease, or otherwise transfer the Software and/or Typefaces without the prior written consent of Monotype Imaging.
  - 13** Use, duplication or disclosure by the Government is subject to restrictions as set forth in the Rights in Technical Data and Computer Software clause at FAR 252-227-7013, subdivision (b)(3)(ii) or subparagraph (c)(1)(ii), as appropriate. Further use, duplication or disclosure is subject to restrictions applicable to restricted rights software as set forth in FAR 52.227-19 (c)(2).
  - 14** YOU ACKNOWLEDGE THAT YOU HAVE READ THIS AGREEMENT, UNDERSTAND IT, AND AGREE TO BE BOUND BY ITS TERMS AND CONDITIONS. NEITHER PARTY SHALL BE BOUND BY ANY STATEMENT OR REPRESENTATION NOT CONTAINED IN THIS AGREEMENT. NO CHANGE IN THIS AGREEMENT IS EFFECTIVE UNLESS WRITTEN AND SIGNED BY PROPERLY AUTHORIZED REPRESENTATIVES OF EACH PARTY. BY OPENING THIS DISKETTE PACKAGE, YOU AGREE TO ACCEPT THE TERMS AND CONDITIONS OF THIS AGREEMENT.

---

## Compliance and Conformity

### FCC statement (for users in the United States)

This device complies with Part 15 of the FCC Rules. Operation is subject to the following two conditions: (1) This device may not cause harmful interference, and (2) this device must accept any interference received, including interference that may cause undesired operation.

This equipment has been tested and found to comply with the limits for a Class B digital device, pursuant to Part 15 of the FCC Rules. These limits are designed to provide reasonable protection against harmful interference in a residential installation. This equipment generates, uses, and can radiate radio frequency energy and, if not installed and used in accordance with the instructions, may cause harmful interference to radio communications. This equipment may cause harmful interference to radio or television reception. This can be determined by turning the equipment off and on. If interference is experienced, you should try to correct it by one or more of the following measures:

- Reorient or relocate the receiving antenna.
- Increase the distance between the equipment and the receiver.
- Connect the equipment into an outlet on a circuit different from that used for the receiver.
- Consult your service technician or an experienced radio/TV technician for help.

Changes or modifications not expressly approved by the manufacturer for compliance could void the user's authority to operate the equipment. Shielded circular cables should be used for interfacing with the computer.

### Precautions for Use

Any modifications without prior permission of Kyocera may cause harmful interference.

If any modifications or changes are made to this equipment without prior permission of Kyocera, Kyocera as the manufacturer does not guarantee the compliance with the FCC Rules. The use of equipment that does not comply with the FCC Rules is prohibited.

### Interface connectors

---

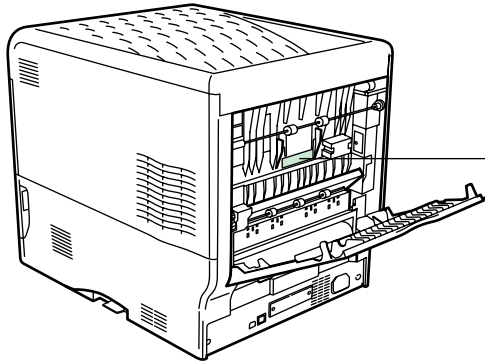
**IMPORTANT:** Be sure to power off the printer before connecting or disconnecting an interface cable. For protection against static electricity discharge to the printer's internal electronics through the interface connector(s), cover any interface connector that is not in use with the protective cap supplied.

---

**NOTE:** Use shielded interface cables.

## Cautionary Labels

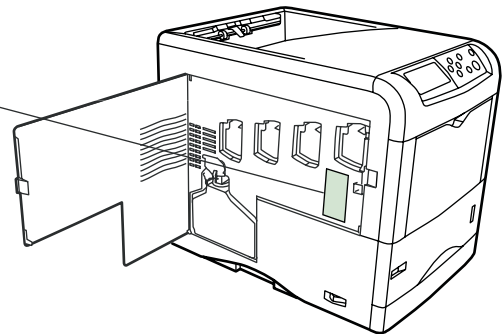
The printer bears any of the following labels.



For Europe, Asia,  
and other countries



For U.S.A. and  
Canada



## Ozone concentration

The printers generate ozone gas (O<sub>3</sub>) which may concentrate in the place of installation and cause an unpleasant smell. To minimize the concentration of ozone gas to less than 0.1 ppm, we recommend you not to install the printer in a confined area where ventilation is blocked.

---

## Declaration of Conformity for U.S.A.

Model name: Color Page Printer FS-C5015N/FS-C5025N/FS-C5030N  
Trade name: Kyocera Mita  
Responsible party: Kyocera Mita America, Inc.  
Address: 225 Sand Road PO Box 40008 Fairfield, New Jersey 07004-0008, U.S.A.  
Telephone: (973) 808-8444  
Fax: (973) 882-6000

Manufacturer: Kyocera Mita Corporation Tamaki Plant  
Manufacturer's address: 704-19, Nojino, Tamaki-cho, Watarai-gun, Mie-ken 519-0497, Japan

This device complies with Part 15 of the FCC Rules. Operation is subject to the following two conditions: (1) this device may not cause harmful interference, and (2) this device must accept any interference received, including interference that may cause undesired operation.

The manufacturer and its merchandising companies retain the following technical documentation in anticipation of the inspection that may be conducted by the authorities concerned.

User's instruction that conforms to the applicable specifications.  
Technical drawings.  
Descriptions of the procedures that guarantee the conformity.  
Other technical information.

Kyocera Mita America Inc.

## CE Marking Directive

According to Council Directive 89/336/EEC and 73/23/EEC

Manufacturer: Kyocera Mita Corporation Tamaki Plant  
Manufacturer's address: 704-19, Nojino, Tamaki-cho, Watarai-gun, Mie-ken 519-0497, Japan

Declares that the product

Product name: Color Page Printer

Model number: FS-C5015N/FS-C5025N/FS-C5030N (as tested with enhancement optional units; Duplex unit DU-301, Paper Feeder PF-60)

Conforms to the following product specifications:

EN 55 022: 1998 Class B  
EN 61 000-3-2: 2000  
EN 61 000-3-3: 1995  
EN 55 024: 1998  
EN 60 950: 2000

---

The manufacturer and its merchandising companies retain the following technical documentation in anticipation of the inspection that may be conducted by the authorities concerned.

User's instruction that conforms to the applicable specifications.  
Technical drawings.  
Descriptions of procedures that guarantee conformity.  
Other technical information.

## **Declaration of Conformity (Australia)**

Manufacturer: Kyocera Mita Corporation Tamaki Plant  
Manufacturer's address: 704-19, Nojino, Tamaki-cho, Watarai-gun, Mie-ken 519-0497, Japan

declares that the product

Product name: Color Page Printer  
Model name: FS-C5015N/FS-C5025N/FS-C5030N

Description of devices: This Page Printer Model FS-C5015N is the 16 ppm, FS-C5025N is the 20 ppm, FS-C5030N is the 24 ppm (monochrome/color), A4 size and utilized plain paper; dry toner; etc. The printer can be equipped with several enhancement optional units as a paper feeder as PF-60, a duplex unit as DU-301.

conforms to the following product specifications:

AS/NZS 3548: 1995 (EN 55 022: 1998 Class B)  
IEC60950 (EN 60 950): 1999

The manufacturer and its merchandising companies retain the following technical documentation in anticipation of the inspection that may be conducted by the authorities concerned.

User's instruction that conforms to the applicable specifications  
Technical drawings  
Descriptions of procedures that guarantee conformity  
Other technical information

The manufacturer has been employed with ISO9001 scheme. JQA and BS have attested the manufacturer.

Kyocera Mita Australia Pty., Ltd.  
6-10 Talavera Road, North Ryde, NSW 2113, Australia  
Telephone: +61 2-9888-9999  
Fax: +61 2-9888-9588

## **Canadian Department of Communications Compliance Statement**

This Class B digital apparatus complies with Canadian ICES-003.

## Avis de conformité aux normes du ministère des Communications du Canada

Cet appareil numérique de la classe B est conforme à la norme NMB-003 du Canada.

## ISO 7779

Maschinenlärminformations-Verordnung 3. GPSGV: Der höchste Schalldruckpegel beträgt 70 dB (A) oder weniger gemäß EN ISO 7779.

## Disclaimer

Kyocera Mita will not be liable to customers or any other person or entity for any loss or damage caused or alleged to be caused directly or indirectly by equipment sold or furnished by us, including but not limited to, any interruption of service, loss of business or anticipatory profits, or consequential damages resulting from the use or operation of the equipment or software.

## Energy Star®



As an ENERGY STAR Partner, we have determined that this product meets the ENERGY STAR guidelines for energy efficiency.

The basic objective of the ENERGY STAR Program is to reduce environmental pollution by encouraging the manufacture and sale of equipment that uses energy more efficiently.

This printer is equipped with a sleep timer function that conforms with the standards of the ENERGY STAR Program. This function makes it possible to reduce the amount of electrical power consumed by the printer. For maximum power savings, turn off the printer's power supply when not using the printer for extended periods of time.

For details on the sleep timer function and printer power consumption, refer to this manual.

Initial settings of the sleep timer function and power saved using the sleep timer function:

	<b>FS-C5015N</b>	<b>FS-C5025N</b>	<b>FS-C5030N</b>
Initial Auto Sleep Setting	5 minutes (60 minutes)	5 minutes (60 minutes)	15 minutes (60 minutes)
Power consumption in Auto Sleep	16W (45W) [for USA and Canada] 16W (45W) [for Europe, Asia, and other countries]	15W (45W) [for USA and Canada] 19W (45W) [for Europe, Asia, and other countries]	18W (70W) [for USA and Canada] 21W (70W) [for Europe, Asia, and other countries]

( ): ENERGY STAR program guideline

---

## Group for Energy Efficient Appliances (GEEA)



The goal of GEEA is efficient use of energy. This product has a high-efficiency profile and meets the criteria for receiving the GEEA-Label.

	<b>FS-C5030N</b>
Initial Auto Sleep Setting	15 minutes (30 minutes)
Power Consumption	
- Power off	0W (1W)
- Auto Sleep	21W (30W)

( ): GEEA criteria



---

## Installation Precautions

### Environment

---

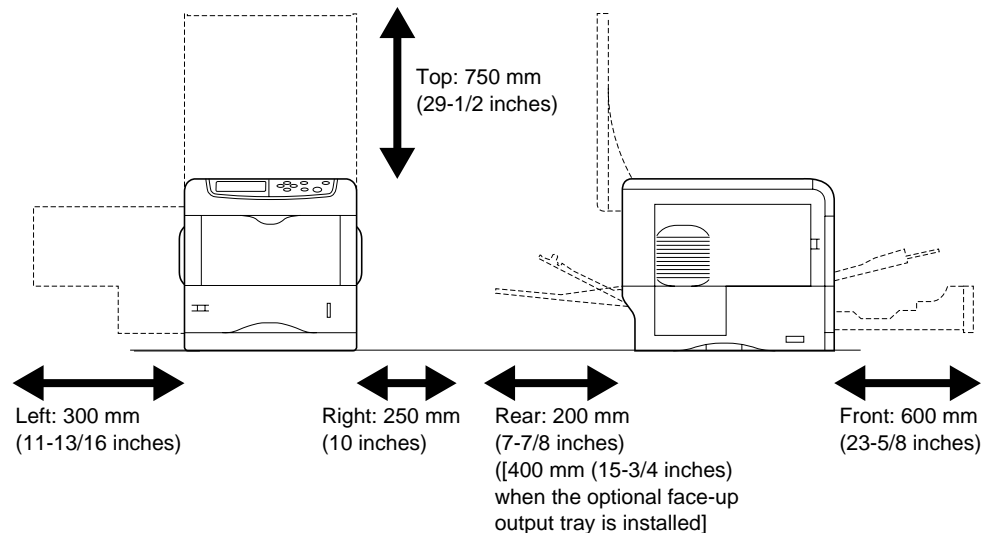
**CAUTION:** Avoid placing the printer on or in locations which are unstable or not level. Such locations may cause the printer to fall. This type of situation presents a danger of personal injury or damage to the printer.

---

Avoid locations with humidity or dust and dirt. If dust or dirt becomes attached to the power plug, clean the plug to avoid the danger of fire or electrical shock.

Avoid locations near radiators, heaters, or other heat sources, or locations near flammable items, to avoid the danger of fire.

To keep the printer cool and facilitate changing of parts and maintenance, allow access space as shown below. Leave adequate space, especially around the side cover, to allow air to be properly ventilated from the printer.



### Other Precautions

- Adverse environmental conditions may affect the safe operation and performance of the printer. Install in an air-conditioned room (recommended room temperature: around 23 °C, humidity: around 60% RH) and avoid the following locations when selecting a site for the printer.
  - Avoid locations near a window or with exposure to direct sunlight.
  - Avoid locations with vibrations.
  - Avoid locations with drastic temperature fluctuations.
  - Avoid locations with direct exposure to hot or cold air.
  - Avoid poorly ventilated locations.
- If the flooring is of a soft material, it may be damaged by the casters when this product is moved after installation.

---

## Power Supply/Grounding the Printer

**WARNING:** Do not use a power supply with a voltage other than that specified. Avoid multiple connections in the same outlet. These types of situations present a danger of fire or electrical shock.

Plug the power cord securely into the outlet. If metallic objects come in contact with the prongs on the plug, it may cause a fire or electric shock.

Always connect the printer to an outlet with a ground connection to avoid the danger of fire or electrical shock in case of an electric short. If an earth connection is not possible, contact your service representative.

## Other Precautions

Connect the power plug to the closest outlet possible to the printer.

## Handling of Plastic Bags

**WARNING:** Keep the plastic bags that are used with the printer away from children. The plastic may cling to their nose and mouth causing suffocation.

---

## Precautions for Use

### Cautions when Using the Printer

- **Do not** place metallic objects or containers with water (flower vases, flower pots, cups, etc.) on or near the printer. This type of situation presents a danger of fire or electrical shock should they fall inside.
- **Do not** remove any of the covers from the printer as there is a danger of electrical shock from high voltage parts inside the printer.
- **Do not** damage, break or attempt to repair the power cord. Do not place heavy objects on the cord, pull it, bend it unnecessarily or cause any other type of damage. These types of situations present a danger of fire or electrical shock.
- **Never** attempt to repair or disassemble the printer or its parts as there is a danger of fire, electrical shock or damage to the laser. If the laser beam escapes, there is a danger of it causing blindness.
- If the printer becomes excessively hot, smoke appears from the printer, there is an odd smell, or any other abnormal situation occurs, there is a danger of fire or electrical shock. Turn the power switch OFF (○) immediately, remove the power plug from the outlet and contact your service representative.
- If anything harmful (paper clips, water, other fluids, etc.) falls into the printer, turn the power switch OFF (○) immediately. Next, remove the power plug from the outlet to avoid the danger of fire or electrical shock. Then contact your service representative.
- **Do not** remove or connect the power plug with wet hands, as there is a danger of electrical shock.
- **Always** contact your service representative for maintenance or repair of internal parts.
- **Do not** pull the power cord when removing it from the outlet. If the power cord is pulled, the wires may become broken and there is a danger of fire or electrical shock. (Always grasp the power plug when removing the power cord from the outlet.)
- **Always** remove the power plug from the outlet when moving the printer. If the power cord is damaged, there is a danger of fire or electrical shock.
- If the printer will not be used for a short period of time (overnight, etc.), turn the power switch OFF (○). If it will not be used for an extended period of time (vacations, etc.), remove the power plug from the outlet for safety purposes during the time the printer is not in use.
- For safety purposes. **Always** remove the power plug from the outlet when performing cleaning operations.
- If dust accumulates within the printer, there is a danger of fire or other trouble. It is therefore recommended that you consult with your service representative in regard to cleaning of internal parts. This is particularly effective if accomplished prior to seasons of high humidity. Consult with your service representative in regard to the cost of cleaning the internal parts of the printer.

---

## Other Precautions

- **Do not** place heavy objects on the printer or cause other damage to the printer.
- **Do not** open the top/left/rear cover, turn off the main switch, or pull out the power plug during printing.
- During printing, some ozone is released, but the amount does not cause any ill effect to one's health. If, however, the printer is used over a long period of time in a poorly ventilated room or when printing an extremely large number of copies, the smell may become unpleasant. To maintain the appropriate environment for print work, it is suggested that the room be properly ventilated.
- **Do not** touch electrical parts, such as connectors or printed circuit boards. They could be damaged by static electricity.
- **Do not** attempt to perform any operations not explained in this handbook.
- If the printer will not be used for an extended period of time, remove the paper from the cassette, return it to its original package and reseal it.

---

**CAUTION:** Use of controls or adjustments or performance of procedures other than those specified herein may result in hazardous radiation exposure.

---

## Cautions for Toner Handling

- **Do not** incinerate toner and toner containers. Dangerous sparks may cause burn.
- **Never** open the toner container.
- **Do not** inhale the toner.
- If you get toner on your hands, **Do not** rub your eyes or touch your mouth. Wash the toner from your hands.
- For the disposal of the old toner container, consult your service technician or dispose of the toner or toner containers in accordance with Federal, State and Local rules and regulations.

---

## About the Operation Guide

This Operation Guide has the following chapters:

*Chapter 1 - Machine Parts*

This chapter explains the names of parts.

*Chapter 2 - Printing Operation*

This chapter explains how to print from your workstation.

*Chapter 3 - Maintenance*

This chapter explains how to replace the toner container and how to care for your printer.

*Chapter 4 - Troubleshooting*

This chapter explains how to handle printer problems that may occur, such as paper jams.

*Chapter 5 - Specifications*

This chapter lists the printer's specifications.

## Conventions

This manual uses the following conventions.

Convention	Description	Example
<b>Italic Typeface</b>	Used to emphasize a key word, phrase or message. In addition, references to other publications are displayed in italic typeface.	A <i>Completed</i> message displays and the <i>Copy Basic</i> screen returns.
<b>Notes</b>	Used to provide additional or useful information about a function or feature. Can also contain references to other publications.	<b>NOTE:</b> For information about storing the pin, refer to step 10.
<b>Important</b>	Use to provide important information.	<b>IMPORTANT:</b> Ensure paper is not folded, curled, or damaged.
<b>Caution</b>	Cautions are statements that suggest <i>mechanical</i> damage as a result of an action.	<b>CAUTION:</b> Do not pull the cassette out when holding the front of the machine.
<b>Warning</b>	Used to alert users to the possibility of <i>personal</i> injury.	<b>WARNING:</b> High voltage is present in the charger section.



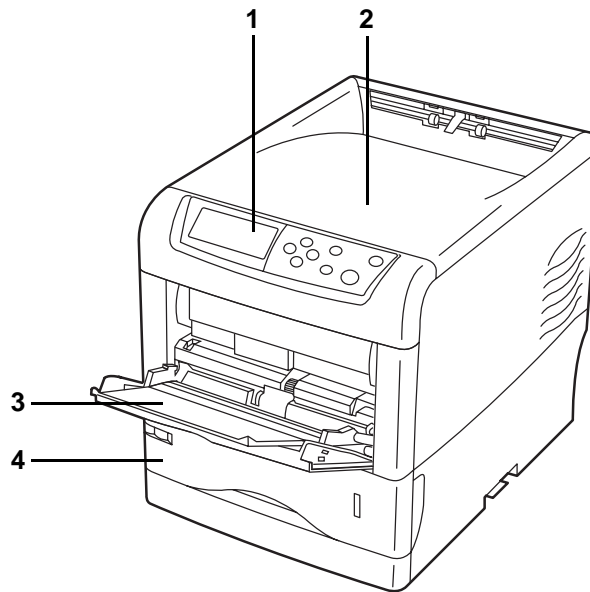
# 1 Machine Parts

This section provides explanations and illustrations for you to determine the parts and their functions. Try to be familiar with the names and functions of these parts for correct use and optimal performance.

This chapter contains explanations on the following topics:

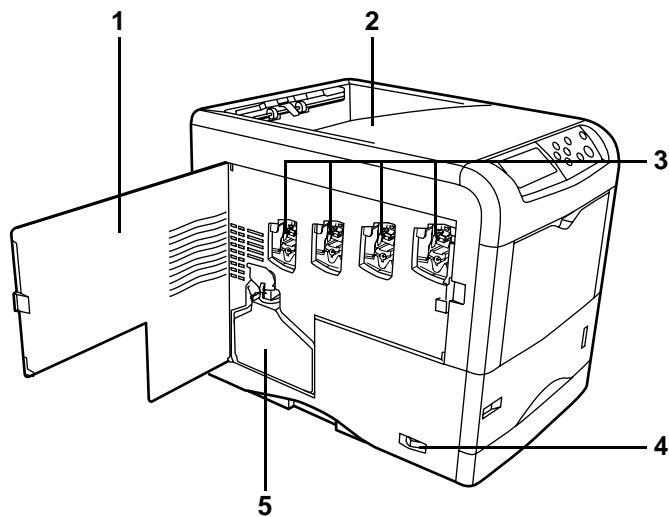
- Components at the Front of the Printer ..... 1-2
- Components at the Left of the Printer ..... 1-2
- Internal Components ..... 1-3
- Components at the Rear of the Printer..... 1-4

## Components at the Front of the Printer



- 1 Operation Panel
- 2 Top Cover
- 3 MP (Multi-Purpose) Tray
- 4 Paper Cassette

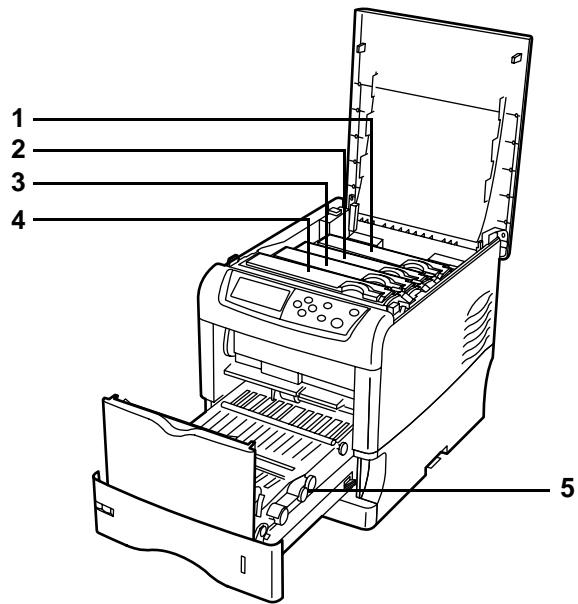
## Components at the Left of the Printer



- 1 Left Cover
- 2 Top Tray
- 3 Main Charger Units on the Drum Units
- 4 Power Switch
- 5 Waste Toner Box

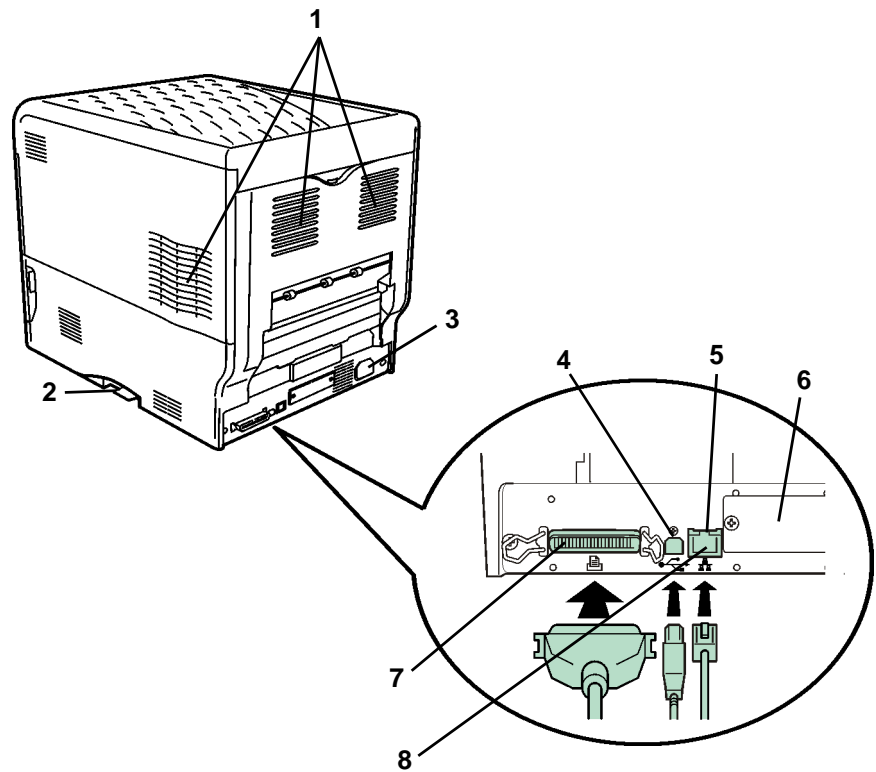


## Internal Components



- 1 Magenta Toner Container (M)**
- 2 Cyan Toner Container (C)**
- 3 Yellow Toner Container (Y)**
- 4 Black Toner Container (K)**
- 5 Paper Transfer Unit**

## Components at the Rear of the Printer



- 1 Vents
- 2 Memory Card Slot
- 3 Power Cord Connector
- 4 USB Interface Connector
- 5 Network indicators
- 6 Option Interface Slot (Network/Serial)
- 7 Parallel Interface Connector (FS-C5030N only)
- 8 Network Interface Connector

## 2 Printing Operation

This chapter contains explanations on the following topics:

- Loading Printer Driver ..... 2-2
- Printing from Application Software ..... 2-3

## Loading Printer Driver

Ensure the printer is plugged in and connected to the PC before installing the printer driver from the CD-ROM.

- 1** Switch on the PC and activate Windows.

---

**NOTE:** If the Welcome to the Found New Hardware Wizard dialog box displays, select Cancel.

---

- 2** Insert the CD-ROM supplied with the printer into the optical drive of the PC.

- 3** The installation program launches.

---

**NOTE:** If the installation program fails to launch, use Windows Explorer to access the CD-ROM and select Setup.exe.

---

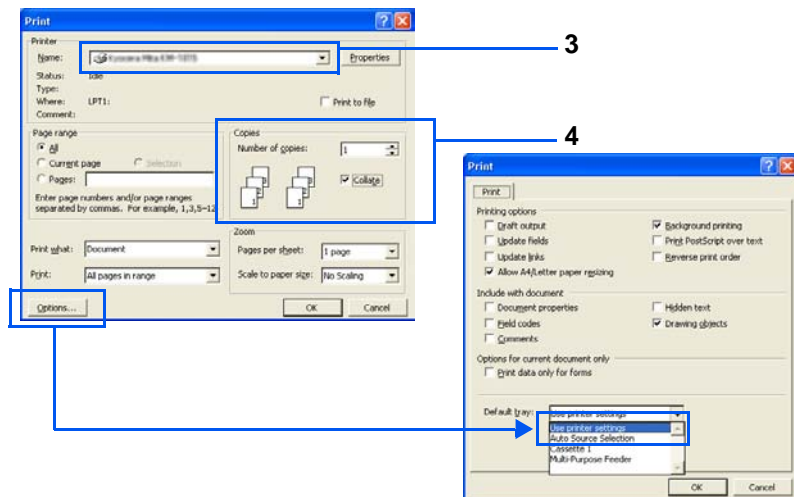
- 4** Perform the procedures displayed on the installation program to install the KX DRIVER.

## Printing from Application Software

The steps required to print a document created with an application are explained below. You can select the printing *Paper Size* and *Output Destination*.

- 1 Load the paper required into the paper cassette.
- 2 From the application *File* menu, select **Print**. The *Print* dialog box displays.
- 3 Click the drop down list of printer names. All the printers installed in Windows are listed. Click the name of the machine.
- 4 Use **Number of copies** to enter the number of prints required. Up to 999 copies can be entered.

For Microsoft Word, we recommend that you click **Options** and specify **Use printer settings** for the **Default tray**.



- 5 To start printing, click **OK**.

**NOTE:** For information on how to use the printer driver software, refer to the *KX Printer Driver Operation Guide*.



# 3 Maintenance

This chapter contains explanations on the following topics:

- General Information..... 3-2
- Toner Container Replacement..... 3-3
- Cleaning the Printer..... 3-8
- Replacing the Waste Toner Box ..... 3-15

## General Information

This chapter describes basic maintenance tasks you can perform on the printer. You can replace the following component according to the printer's display:

- Toner Kits
- Waste Toner Box

Also, the following parts need periodic cleaning:

- Paper Transfer Unit
- Main Charger Units
- Advanced Beam Array Lenses



---

## Toner Container Replacement

### Frequency of toner container replacement

The life of the toner containers depends on the amount of toner required to accomplish your printing jobs. When 5% coverage (a typical business document) of individual toner colors is assumed for A4 or letter size paper:

- The black toner container lasts an average of 8,000 monochrome pages (FS-C5015N: 6,000 monochrome pages).
- The cyan, magenta, and yellow toner containers last an average of 8,000 color images (FS-C5015N: 4,000 color images).

You can print a status page to check how much toner remains in the toner container. The Toner Gauge in the consumables status section on the status page shows a progress bar for each color, which roughly represents how much toner is left in the toner container.

### Starter Toner Containers

The toner containers packed with the new printer are starter toner containers. The black starter toner container lasts an average of 4,000 monochrome pages (FS-C5015N: 3,000 monochrome pages). The cyan, magenta, and yellow starter toner containers last an average of 4,000 color images for each (FS-C5015N: 2,000 color images for each).

### Toner Kits

For best results, we recommend that you only use genuine Kyocera Parts and Supplies.

The toner kits are supplied in 4 different colors: cyan, magenta, yellow and black.

A new toner kit for each color contains the following items:

- Toner Container
- Cleaning cloth
- Grid cleaner for main charger cleaning
- Plastic waste bags for old toner container and old waste toner box
- Waste toner box
- Installation Guide

---

**NOTE:** Do not remove the toner container from the carton until you are ready to install it in the printer.

---

### Understanding Messages Requesting Toner Container Replacement

The printer displays messages for individual colors at two stages of toner usage. This message is automatically alternated with the other printer message (such as *Ready*):

- When the printer becomes low on toner, for example in the cyan container, the printer displays the message `Toner low C, M, Y, K` as the first caution. Note the replacement is not always necessary at this stage.
- If you ignore the above message and continue printing, the printer displays the message `Replace toner` — just before the toner is used up. The toner container must be replaced immediately. Clean the separate charger wires, etc. After the cleaning is finished, however, the message does not automatically change to `Ready`. To restart printing, you must press **[GO]** and make the printer ready.

In either case, replace the toner container, see *Toner Container Replacement* on page 3-3.

## Replacing the Toner Container

This section explains how to replace the toner containers. When replacing the toner container of any color, always replace the waste toner box at the same time. If this box is full, the printer may be damaged or contaminated by the waste toner that may spill over the box.

---

**NOTE:** During toner container replacement, temporarily put storage media and computer supplies (such as floppy disks) away from around the toner container. This is to avoid damaging media by the magnetism of toner.

---

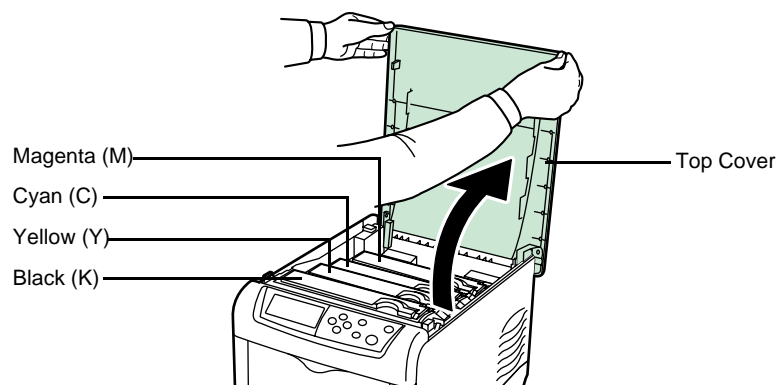
---

**IMPORTANT:** You do not have to turn printer power off before starting the replacement. Any data that may be under printing process in the printer will be deleted if you turn printer power off.

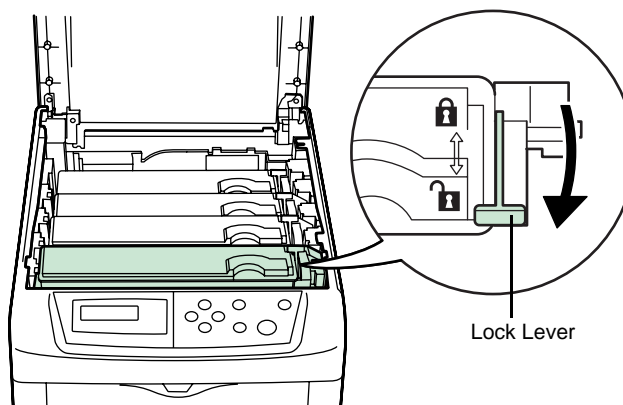
---

To replace the toner container, first make sure of the color of the toner container requiring replacement. In this example, it is assumed that you are replacing the black toner container.

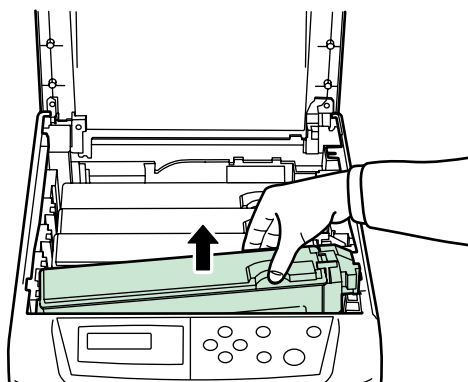
- 1 Open the top cover.



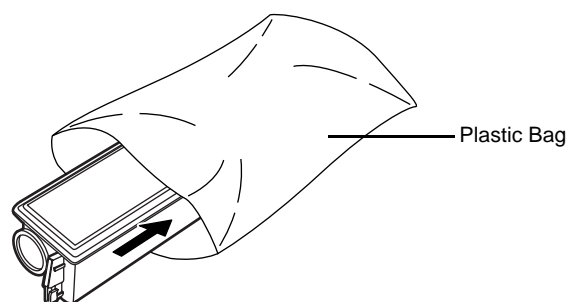
- 2** Pull the blue lock lever on the toner container forward towards the unlocked symbol.



- 3** Carefully remove the old toner container from the printer.

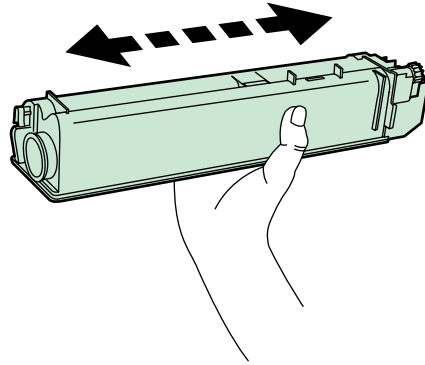


- 4** Put the old toner container in the plastic bag (contained in the toner kit) and discard it later according to the local code or regulations for waste disposal.

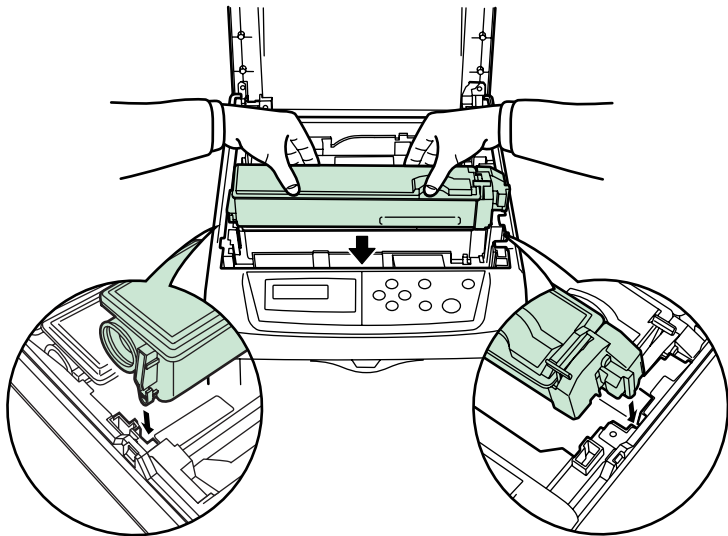


- 5** Take the new toner container out of the toner kit.

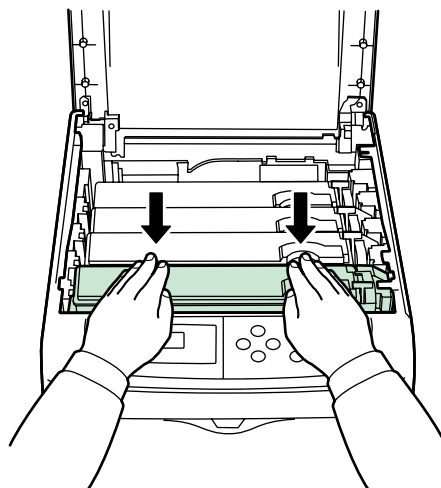
- 6** Shake the new toner container 5 or 6 times as shown in the figure in order to distribute the toner evenly inside the container.



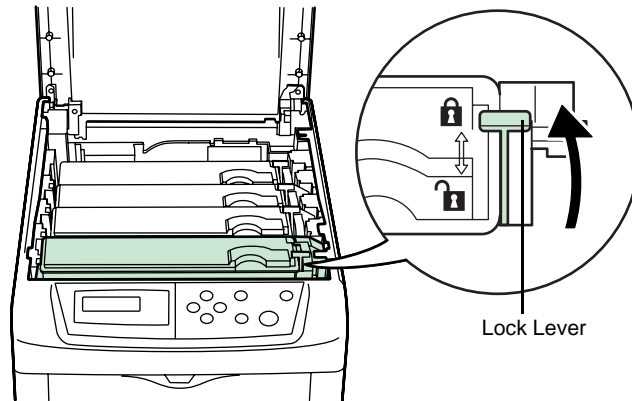
- 7** Set the new toner container in the printer as shown in the figure below.



- 8** Push down on the top of the toner container to install it firmly in place.

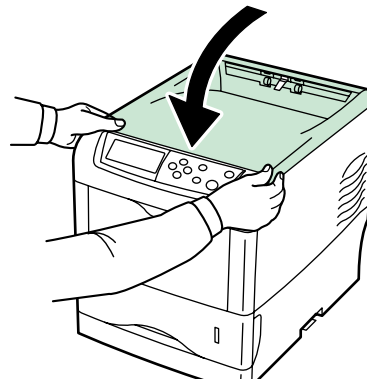


- 9** Pull the blue lock lever on the toner container back towards the locked symbol as far as it will go.



- 10** Use the same procedure to replace the other color toner containers.

- 11** Close the top cover.



Proceed to the next section.

## Cleaning the Printer

The following parts must be cleaned each time the toner container and waste toner box are replaced:

- Main charger wire
- Main charger grid
- Advanced beam array lens
- Registration roller

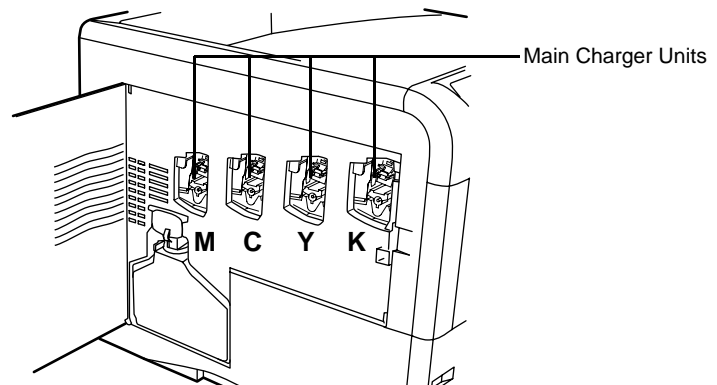
In addition to this, it is recommended that the main charger wire and registration roller are cleaned periodically at least once a month.

If lines, etc., appear on printed copies, the printouts appear dirty, or faint or blurred printouts are produced, clean the advanced beam array lenses.

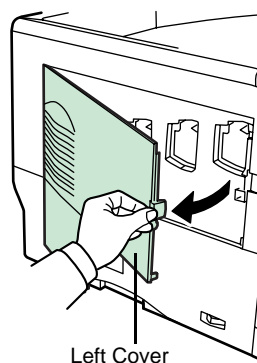
### Cleaning the Main Charger Unit

The main charger units need to be cleaned periodically as they get contaminated after long usage. Each main charger unit comprises two main parts — the wire and the grid — which should be cleaned separately as explained below.

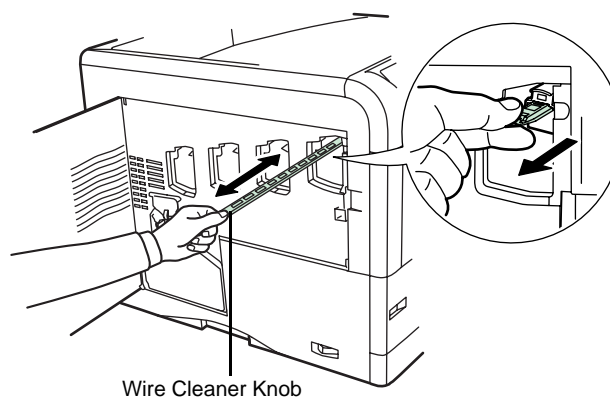
There are 4 main charger units, one for each toner container. When performing the cleaning procedure, be sure to clean the main charger unit that corresponds to color of the toner container that was replaced. The following example explains the procedure to clean the main charger unit for the black toner container.



- 1 Open the left cover.



- 2 First clean the main charger wire. Grasp the green wire cleaner knob. Gently pull the wire cleaner knob out and push it back in. Repeat this 2 to 3 times. After cleaning, make sure you restore the wire cleaner knob to its home position.

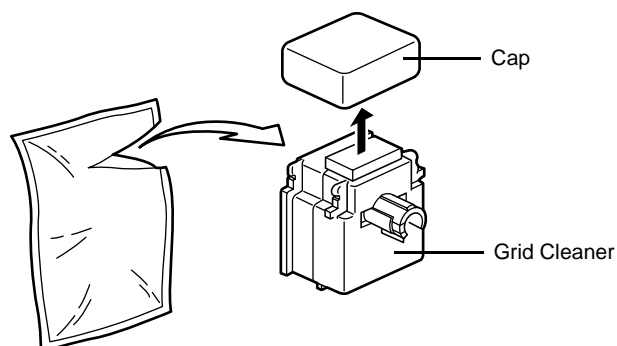


---

**NOTE:** If the wire cleaner knob is not restored to its home position, a band will print along the length of the page.

---

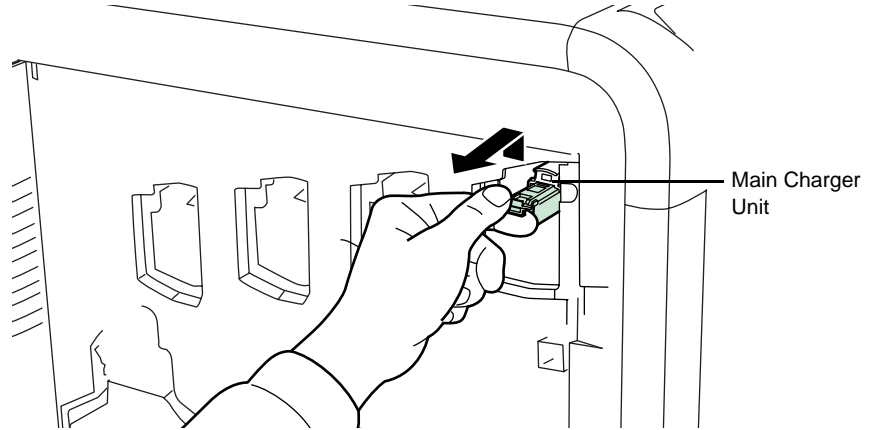
- 3 Next, clean the main charger grid. Take the grid cleaner out of the toner kit. Take the grid cleaner out of the protective bag and remove the cap.



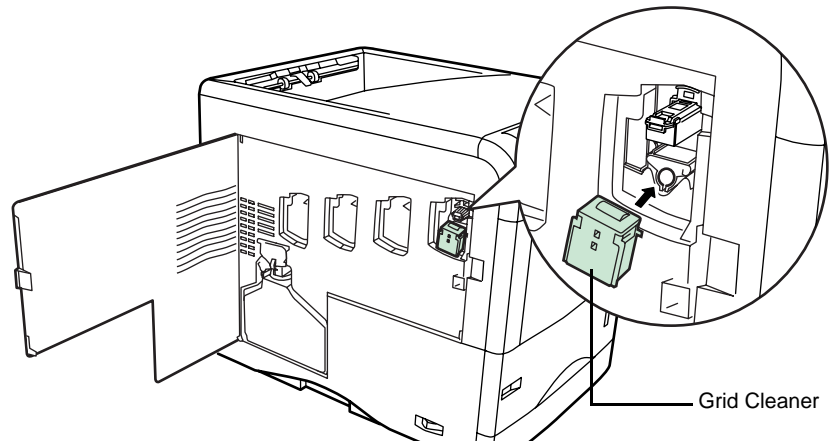
**NOTE:** The pad of the grid cleaner contains water. Clean the grid quickly so that the pad may not dry off.

---

- 4** Lift up slightly on the main charger unit and pull it out a short distance as shown in the figure below.

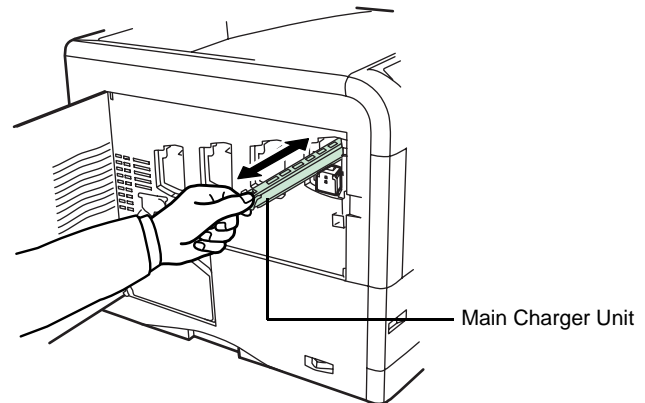


- 5** Attach the grid cleaner to the printer with the pad facing up.





- 6** Gently pull the main charger handle out and push it back in. Repeat this 2 to 3 times. These movements clean the grid. After cleaning, make sure you restore the main charger unit to its home position.



**NOTE:** If the main charger unit is not restored to its home position, the corresponding color will be printed over the whole page.

- 7** Remove the grid cleaner from the printer and discard it. The grid cleaner cannot be reused.



Use the same procedure to clean the main charger units for the other toner containers.

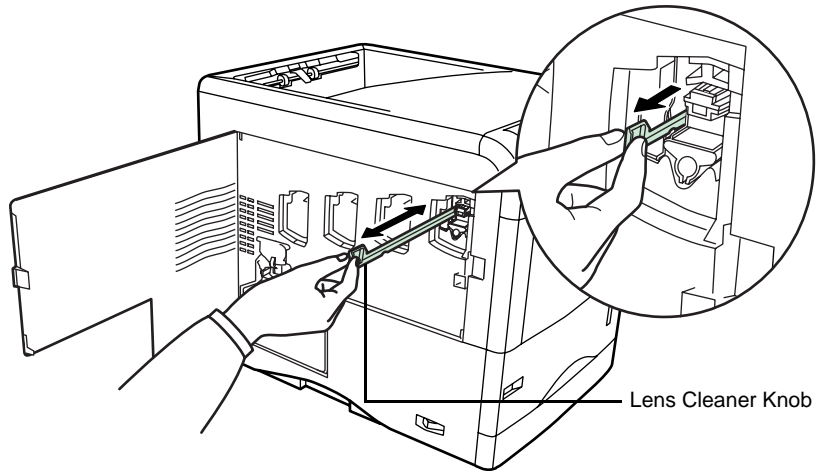
Proceed to the next section and clean the advanced beam array lenses.

### Cleaning the Advanced Beam Array Lenses

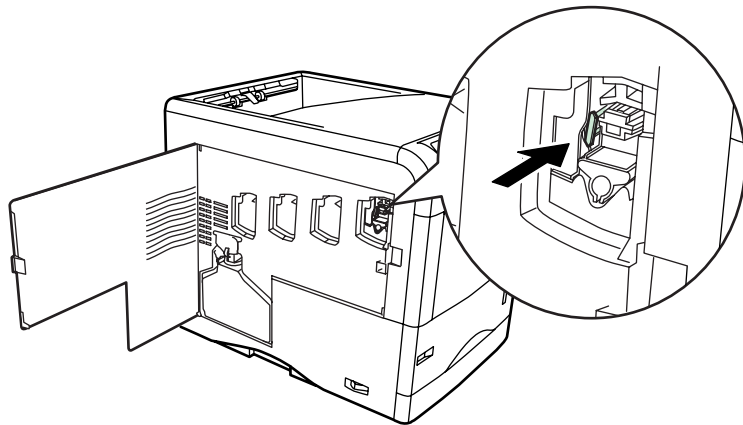
If lines, etc., appear on printed copies, the printouts appear dirty, or faint or blurred printouts are produced, clean the advanced beam array lenses.

There is 1 lens on the main charger unit of each toner container. The following example explains the procedure to clean the lens on the main charger unit of the black toner container.

- 1 Grasp the tab of the green lens cleaner knob. Gently pull the lens cleaner knob out and push it back in. Repeat this 2 times.



- 2 Push the lens cleaner knob back in completely. After cleaning, make sure you restore the lens cleaner knob to its home position.



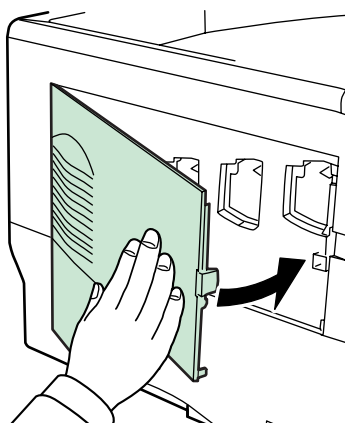
---

**NOTE:** If the lens cleaner knob is not restored to its home position, the corresponding color will be printed over the whole page.

---

Use the same procedure to clean the lenses on the main charger unit of the other toner containers.

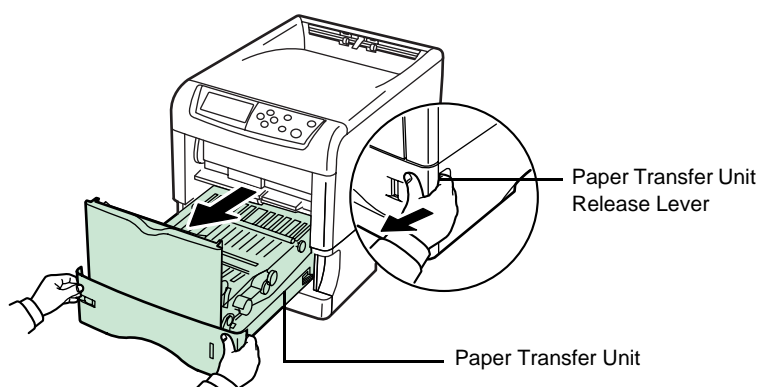
- 3 Once you are finished cleaning all 4 lenses, close the left cover.



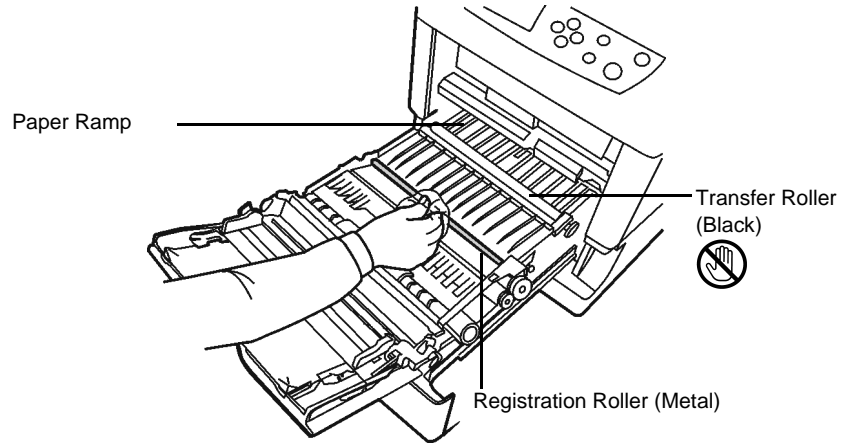
### Cleaning the Paper Transfer Unit

Print problems such as soiling of the reverse side of printed pages may occur if the paper transfer unit becomes dirty. To clean the paper transfer unit, you must use the cleaning cloth included in the toner kit.

- 1 While pulling the green paper transfer unit release lever, pull out the paper transfer unit.



- 2 Wipe away the paper dust on the registration roller and the paper ramp using the wiper cloth included in the toner kit.



---

**NOTE:** Be careful not to touch the black transfer roller during cleaning as this may adversely affect print quality.

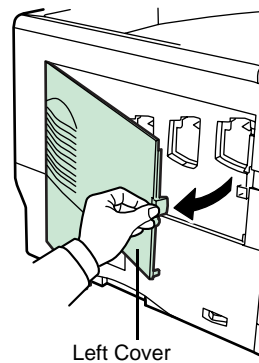
---

- 3 Push the paper transfer unit back in completely.

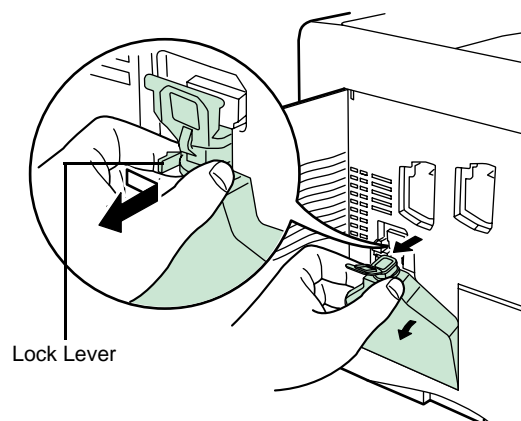
## Replacing the Waste Toner Box

Replace the waste toner box when the `Check waste toner box` message is displayed. A new waste toner box is included with the toner kit. The printer will not operate without replacing the waste toner box.

- 1 Open the left cover.

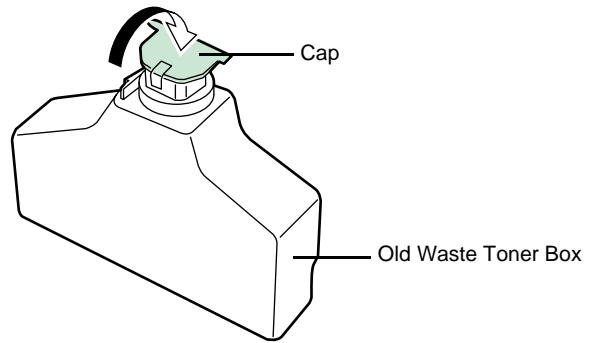


- 2 While holding the waste toner box, press the lock lever and then gently remove the waste toner box.

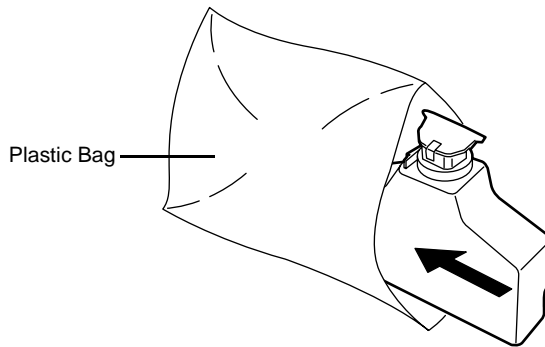


**NOTE:** Remove the waste toner box as gently as possible so as not to scatter the toner inside. Do not let the opening of the waste toner box face downward.

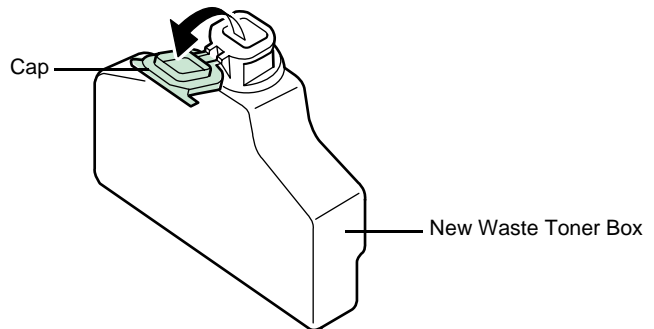
- 3** Close the cap to the old waste toner box after removing the box from the printer.



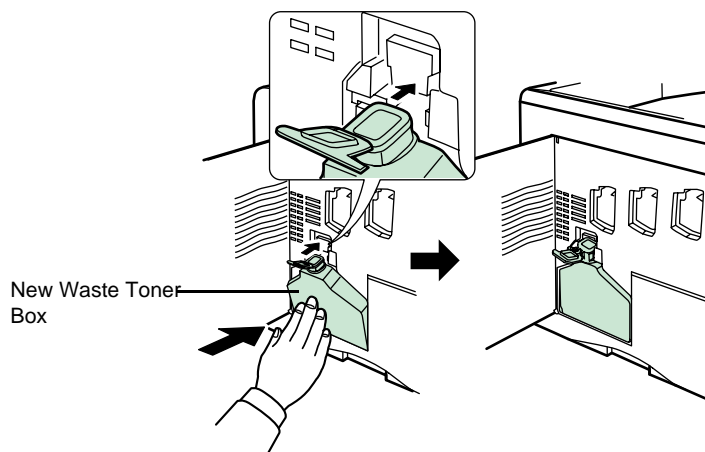
- 4** To prevent toner from spilling, put the old waste toner box in the plastic bag (contained in the toner kit) and discard it later according to the local code or regulations for waste disposal.



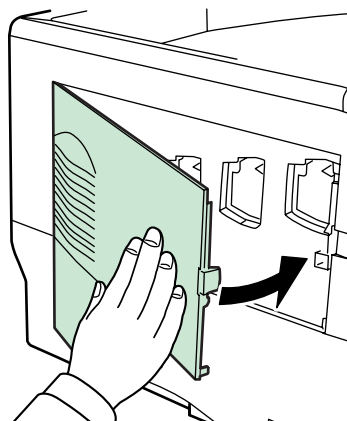
- 5** Open the cap of the new waste toner box.



- 6** Insert the new waste toner box as shown in the figure below. When the box is set correctly, it will snap into place.



- 7** Make sure that the waste toner box is correctly inserted and close the left cover.



After replacing the toner containers and the waste toner box, clean the main charger units and the paper transfer unit. For instructions, see *Cleaning the Printer* on page 3-8.





# 4 Troubleshooting

This chapter contains explanations on the following topics:

- General Guidelines..... 4-2
- Print Quality Problems..... 4-3
- Error Messages ..... 4-7
- Clearing Paper Jams..... 4-13

If a problem cannot be corrected, contact your service technician.

## General Guidelines

The table below provides basic solutions for problems you may encounter with the printer. We suggest you consult this table to troubleshoot the problems before calling for service.

Symptom	Check Items	Corrective Action
Print quality is not good.	See <i>Print Quality Problems</i> on page 4-3.	
Paper is jammed.	See <i>Clearing Paper Jams</i> on page 4-13.	
Nothing lights on the operation panel even when power is turned on and the fan makes no noise.	Check that the power cord is properly plugged into the power outlet.	Turn off the printer's power, plug in the power cord securely, and try turning on the printer's power again.
	Check that the power switch is in the On (I) position.	Set the power switch to the On position.
The printer prints a status page, but does not print jobs from the computer.	Check the printer cable or the interface cable.	Connect both ends of the printer cable securely. Try replacing the printer cable or the interface cable.
	Check program files and application software.	Try printing another file or using another print command. If the problem occurs only with a specific file or application, check the printer driver settings for that application.

### Tips

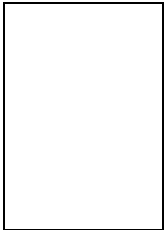

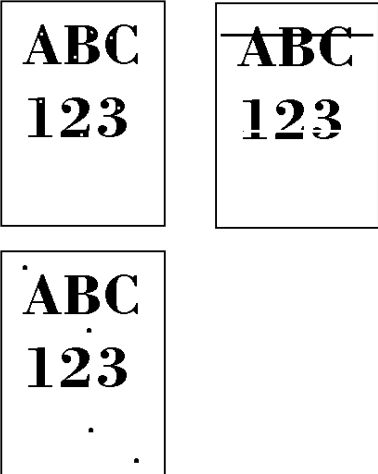
Printer problems may be solved easily by following the tips below. When you have encountered a problem that following the above guidelines will not solve, try the following:

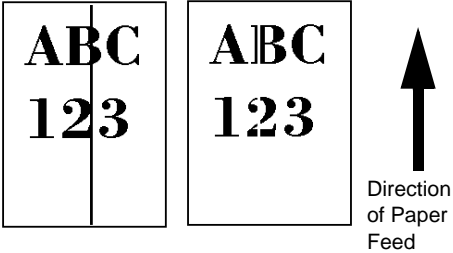
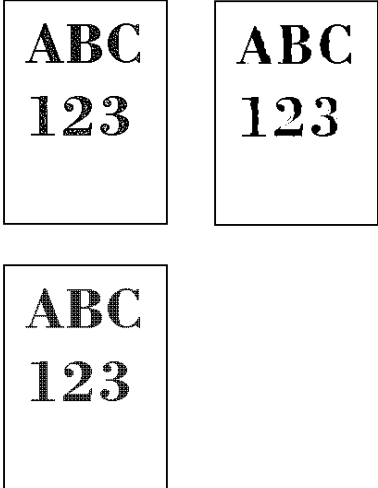
- Turn the printer power off and wait for several seconds. Then, turn on the printer.
- Reboot the computer which sends the print jobs to the printer.
- Obtain and use the latest version of the printer driver. The latest versions of printer drivers and utilities are available at: <http://www.kyoceramita.com/download/>.
- Make sure that the procedures for printing are correctly followed in the application software. Consult the documentation supplied with the application software.
- If the printer prints garbage characters or stalls when the computer is turned on, particularly when the printer is connected to the computer under Windows 98 via the parallel port, rename device driver file `drvppqt.vxd`. This file may be located in `Windows\System\losubsys` or `Arcada\System` folder. For technical details, visit Microsoft web site for the device driver.

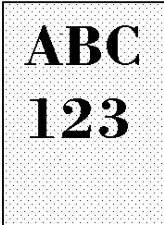
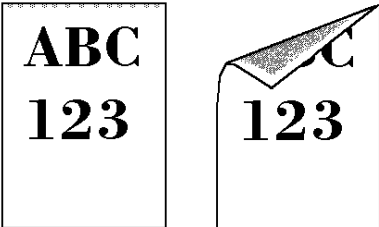
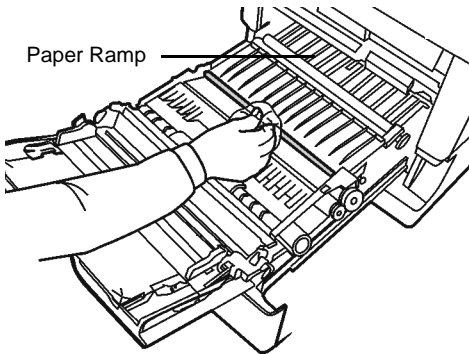
## Print Quality Problems

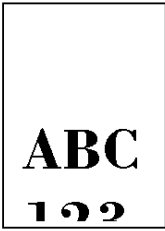
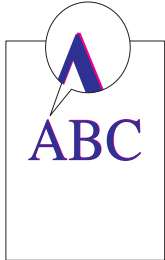
The tables and diagrams in the following sections define print quality problems and the corrective action you can conduct to solve the problems. Some solutions may require cleaning or replacing parts of the printer.

If the suggested corrective action will not solve the problem, call for service.

Printed Results	Corrective Action
<p><b>Completely blank printout</b></p> 	<p>Check the toner containers. Open the printer top cover and check that the toner containers are correctly installed in the printer. For more information on installing the toner containers, see <i>Toner Container Replacement on page 3-3</i>.</p> <hr/> <p>Check that the application software is correctly operated.</p>
<p><b>Full single-color printout</b></p> 	<p>Check the charger unit. Open the left cover and check that the charger unit is correctly installed.</p>
<p><b>Dropouts, horizontal streaks, stray dots</b></p> 	<p>Clean the main charger units. Open the left cover. Slowly pull the green wire cleaner knob to each of the main charger units in and out a few times. For full details, see <i>Cleaning the Main Charger Unit on page 3-8</i>.</p>

Printed Results	Corrective Action
<p><b>Black or white vertical streaks</b></p> 	<p>Check the operation panel for toner. If the <b>Toner low (C/M/Y/K)</b> message is displayed with color description, install a new toner kit for the color. To replace the toner container, see <i>Toner Container Replacement on page 3-3</i>.</p> <p>Clean the main charger units. Open the left cover. Slowly pull the green wire cleaner knob to each of the main charger units in and out a few times. For full details, see <i>Cleaning the Main Charger Unit on page 3-8</i>.</p> <p>Clean the advanced beam array lenses. Open the left cover. Slowly pull the green lens cleaner knob in and out 2 times. For full details, see <i>Cleaning the Advanced Beam Array Lenses on page 3-11</i>.</p> <p>Refresh drum. Perform the following procedures on the operation panel and try cleaning the drum surface using the printer's built-in cleaning system.</p> <ol style="list-style-type: none"> <li>1 Press <b>[MENU]</b>.</li> <li>2 Press <math>\Delta</math> or <math>\nabla</math> repeatedly until <b>&gt;Others</b> appears.</li> <li>3 Press <math>\triangleright</math>. Press <math>\Delta</math> or <math>\nabla</math> repeatedly until <b>&gt;Service</b> appears.</li> <li>4 Press <math>\triangleright</math>. Press <math>\Delta</math> or <math>\nabla</math> repeatedly until <b>&gt;&gt;Drum</b> appears.</li> <li>5 Press <b>[OK] ([ENTER])</b> twice.</li> <li>6 The message display shows <b>Please wait</b>. After approx. 3 minutes, the display returns to <b>Ready</b>.</li> </ol>
<p><b>Faint or blurred printing</b></p> 	<p>Clean the main charger units. Open the left cover. Slowly pull the green wire cleaner knob to each of the main charger units in and out a few times. For full details, see <i>Cleaning the Main Charger Unit on page 3-8</i>.</p> <p>Clean the advanced beam array lenses. Open the left cover. Slowly pull the green lens cleaner knob in and out 2 times. For full details, see <i>Cleaning the Advanced Beam Array Lenses on page 3-11</i>.</p> <p>Make sure the paper type setting is correct the paper being used.</p> <p>Conduct color calibration either by switching the printer off then on or using the printer operation panel.</p> <p>Try adjusting the color control settings using the printer driver.</p> <p>Check the operation panel. If the <b>Toner low (C/M/Y/K)</b> message is displayed with color description, install a new toner kit for the color. To replace toner, see <i>Toner Container Replacement on page 3-3</i>.</p>

Printed Results	Corrective Action
	<p>Refresh drum. Perform the following procedures on the operation panel and try cleaning the drum surface using the printer's built-in cleaning system.</p> <ol style="list-style-type: none"> <li>1 Press <b>[MENU]</b>.</li> <li>2 Press <math>\Delta</math> or <math>\nabla</math> repeatedly until &gt;Others appears.</li> <li>3 Press <math>\triangleright</math>. Press <math>\Delta</math> or <math>\nabla</math> repeatedly until &gt;Service appears.</li> <li>4 Press <math>\triangleright</math>. Press <math>\Delta</math> or <math>\nabla</math> repeatedly until &gt;&gt;Drum appears.</li> <li>5 Press <b>[OK] ([ENTER])</b> twice.</li> <li>6 The message display shows <i>Please wait</i>. After approx. 3 minutes, the display returns to <i>Ready</i>.</li> </ol>
<p><b>Grey background</b></p> 	<p>Clean the main charger units. Open the left cover. Slowly pull the green wire cleaner knob to each of the main charger units in and out a few times. For full details, see <i>Cleaning the Main Charger Unit on page 3-8</i>.</p> <p>Check the charger units installation. Open the left cover and check that the charger units are correctly installed and seated as far as it will go. see <i>Cleaning the Printer on page 3-8</i>.</p> <p>Conduct color calibration either by switching the printer off then on or using the printer operation panel.</p>
<p><b>Dirt on the top edge or back of the paper</b></p> 	<p>Check the paper chute and the ramp. Pull out the paper transfer unit and check for toner on the paper ramp. Clean the paper ramp using a soft, dry, lint-free cloth. For details, see <i>Cleaning the Paper Transfer Unit on page 3-13</i>.</p> 

Printed Results	Corrective Action
	<p>Clean the main charger units. Open the left cover. Slowly pull the green wire cleaner knob to each of the main charger units in and out a few times. For full details, see <i>Cleaning the Main Charger Unit on page 3-8</i>.</p> <p>Clean the parts in the paper paths—such as the paper cassette, etc.</p> <p>Check the transfer roller. If the transfer roller is dirty with toner, try printing several pages.</p>
<p><b>Printing incomplete or out of position</b></p> 	<p>Check that the application software is correctly operated.</p> <p>See <i>Tips on page 4-2</i>.</p>
<p><b>Skewed-color printout</b></p> 	<p>Conduct color registration using the printer operation panel.</p>

## Error Messages

The following table lists errors and maintenance messages that you can be dealt with by yourself. If `Call service` appears, turn off the printer, disconnect the power cord, and contact your service technician.


Some errors cause the alarm to sound. To stop the alarm, press **[CANCEL]**.

Message	Corrective Action
Add paper MPTray	The paper has run out in the paper source displayed. Supply paper according to the paper source displayed (paper cassettes, MP tray, optional paper feeders, or optional envelope feeder). This message is displayed alternately with messages indicating the printer status, such as, Ready, Please wait, Processing, Waiting, and Form Feed Time Out.
Call service F###:	F### represents a controller error (#=0, 1, 2, ...). Call for service. The printer does not operate when this message is displayed.
Call service ####:0123456	#### represents a mechanical error (#=0, 1, 2, ...). Call for service. The printer does not operate when this message is displayed. The total number of pages printed is also indicated, e.g. 0123456.
Cassette # not loaded	The corresponding paper cassette is not installed. Install the cassette. The cassette number can be 1 (topmost) to 4 (bottom).
Check waste toner box	This message warns following two cases. Install the new waste toner box. The waste toner box is not installed. The waste toner box is full.
Clean printer Press GO	Please clean the inside of the printer. See <i>Cleaning the Printer on page 3-8</i> . This message will be displayed when replacing the toner container after the message <code>Replace toner C, M, Y, K</code> is displayed. After cleaning the inside of the printer, press <b>[GO]</b> and the printer will be ready for printing.
Close duplexer rear unit	The rear unit of the optional duplexer is open. Close the duplexer rear unit.
Close duplexer top cover	The top cover of the optional duplexer is open. Close the duplexer top cover.
Close paper transfer unit	The paper transfer unit is open. Close the paper transfer unit.
Close left cover	The left cover of the printer is open. Close the left cover.

Message	Corrective Action
Close rear cover	The rear cover of the printer is open. Close the printer rear cover.
Close top cover	The top cover of the printer is open. Close the printer top cover.
Duplex disabled Press GO	You attempted to print with a paper size and paper type that cannot be used for duplex printing. Press <b>[GO]</b> to print onto one-side of the paper only.
e-MPS not stored Press GO	The e-MPS job cannot be stored because RAM disk is disabled, RAM disk size is insufficient, hard disk is not installed, or hard disk is full. Press <b>[GO]</b> to print error report.
EF not supported	The optional envelope feeder has been installed in this printer. The optional envelope feeder is not supported in the model FS-C5015N.
Error.Power off F###	Turn the power switch off and then back on again. If this message still remains, turn the power switch off, and contact your service representative or authorized service center.
File not found Press GO	You have attempted to print a job that is not contained in the specified virtual mailbox, or the specified virtual mailbox is not found. If Auto Error Clear is set to On, printing will be automatically resumed after a preset period of time.
Format error Hard disk	The hard disk installed in the printer is not formatted, and therefore cannot be read or written.
Format error Memory card	The memory card inserted in the printer is not formatted, and therefore cannot be read or written. To format a memory card, follow the procedure in <i>Using the operation panel</i> , section of the <i>Advanced Operation Guide</i> .
Hard disk err ## Press GO	A hard disk error has occurred. Look at the error code given in place of ## and refer to <i>Storage Error Codes on page 4-11</i> . To ignore the hard disk error, press <b>[GO]</b> .
I/F occupied	This message is displayed when you attempt to use the printer's operation panel to change the environmental settings on the interface from which data are presently being received.
ID error	The user ID entered for a private job, or a stored job is not correct. Check the user ID that you specified on the printer driver.
Insert the same memory card	You have inserted the wrong memory card when the Insert again message was displayed. Remove the wrong memory card from the printer's memory card slot and insert the correct memory card. The printer again reads it from the beginning of the data.



Message	Corrective Action
<div style="border: 1px solid black; padding: 2px;">Install MK</div>	<p>Replace Maintenance Kit which is displayed on the message display. Replacement of the maintenance kit is necessary at every 200,000 images of printing and requires professional servicing. Contact your service technician.</p>
<div style="border: 1px solid black; padding: 2px;">KPD L error ## Press GO</div>	<p>Current print processing cannot continue because of occurrence of KPD L error which is categorized by ##. To print out an error report, display &gt; Print KPD L err(s) from the menu system, and select On. Press <b>[GO]</b> to resume printing. You can abandon printing by pressing <b>[CANCEL]</b>. If Auto Error Clear is set to On, printing will be automatically resumed after a preset period of time.</p>
<div style="border: 1px solid black; padding: 2px;">Load Cassette # (A4)/(PLAIN)†</div>	<p>The paper cassette matching the paper size and paper type of the print job is empty. Load paper into the paper cassette as displayed in place of #. Press <b>[GO]</b> to resume printing. If you want to print from a different paper source, press <math>\Delta</math> or <math>\nabla</math> to display <i>Use alternative</i> and you can change the source for paper feeding. After selecting a paper source and pressing <b>[MENU]</b>, <i>Paper Handling &gt;</i> appears. By pressing the <math>\Delta</math>, the paper type settings menu appears. After setting the correct paper type, press <b>[OK] ([ENTER])</b> and printing starts.</p>
<div style="border: 1px solid black; padding: 2px;">Load EF (A5)/(PLAIN)†</div>	<p>There is no paper cassette installed in the printer that matches the paper size and paper type of the print job. Set paper in the envelope feeder. Press <b>[GO]</b> to resume printing. (Note that feeding paper with a paper size which does not match the current paper size from the envelope feeder can cause a paper jam.) If you want to print from a different paper source, press <math>\Delta</math> or <math>\nabla</math> to display <i>Use alternative</i> and you can change the source for paper feeding. After selecting a paper source and pressing <b>[MENU]</b>, <i>Paper Handling &gt;</i> appears. By pressing the <math>\Delta</math>, the paper type settings menu appears. After setting the correct paper type, press <b>[OK] ([ENTER])</b> and printing starts.</p>
<div style="border: 1px solid black; padding: 2px;">Load MP Tray (A4)/(PLAIN)†</div>	<p>There is no paper cassette installed in the printer that matches the paper size and paper type of the print job. Set paper in the MP tray. Press <b>[GO]</b> to resume printing. (Note that feeding the paper having a paper size which does not match the current paper size from the MP tray can cause paper jam.) If you want to print from a different paper source, press <math>\Delta</math> or <math>\nabla</math> to display <i>Use alternative</i> and you can change the source for paper feeding. After selecting a paper source and pressing <b>[MENU]</b>, <i>Paper Handling &gt;</i> appears. By pressing the <math>\Delta</math>, the paper type settings menu appears. After setting the correct paper type, press <b>[OK] ([ENTER])</b> and printing starts.</p>
<div style="border: 1px solid black; padding: 2px;">Memory card err Insert again</div>	<p>The memory card is accidentally removed from the printer's memory card slot during reading. If you continue reading the memory card, insert the same memory card into the slot again. The printer again reads it from the beginning of the data. Also see <i>Insert the same memory card</i>.</p>
<div style="border: 1px solid black; padding: 2px;">Memory overflow Press GO</div>	<p>The total amount of data received by the printer exceeds the printer's internal memory. Try adding more memory. Press <b>[GO]</b> to resume printing. You can abandon printing by pressing <b>[CANCEL]</b>. If Auto Error Clear is set to On, printing will be automatically resumed after a preset period of time.</p>

Message	Corrective Action
MemoryCard err## Press GO	A memory card error has occurred. Look at the error code given in place of ## and refer to <i>Storage Error Codes on page 4-11</i> . To ignore the memory card error, press <b>[GO]</b> .
Missing duplex drawer	The duplex drawer is either not installed or incorrectly inserted. Insert the duplex drawer securely.
No multi copies Press GO	Multi copies cannot be printed because RAM disk is disabled or the hard disk is not installed. Press <b>[GO]</b> to print error report.
Paper jam #####	A paper jam has occurred. The location of the paper jam is indicated in place of the #'s. For details, see <i>Clearing Paper Jams on page 4-13</i> .
Paper path error	There is no paper cassette in the feeder, or the cassette is not inserted properly. After reinserting the paper cassette, you should be able to print. When two or more optional feeders are installed and the lowest one is selected, the same message will appear if any of the upper paper feeder and the printer cassette is improperly installed.
Print overrun†† Press GO	The print job transferred to the printer was too complex to print on a page. Press <b>[GO]</b> to resume printing. (A page break may be automatically inserted in some places.) You can abandon printing by pressing <b>[CANCEL]</b> . If Auto Error Clear is set to On, printing will be automatically resumed after a preset period of time.
RAM disk error## Press GO	A RAM disk error has occurred. Look at the error code given in place of ## and refer to <i>Storage Error Codes on page 4-11</i> . To ignore the RAM disk error, press <b>[GO]</b> .
Replace toner C,M,Y,K    Replace toner Clean printer	Two message items are displayed alternately. Toner has run out in the toner container(s). Replace the toner container using a new toner kit for the particular color. The printer does not operate when this message is displayed. For example, if Replace toner C,K is displayed, replace the cyan and the black toner containers.
Set paper Press GO	The MP tray is out of paper. Load paper and press <b>[GO]</b> . (Note that feeding the paper having a paper size which does not match the current paper size from the MP tray can cause paper jam.)
Toner low C,M,Y,K	Replace the toner container using a new toner kit. Color of the toner container that needs to be replaced is represented by C (Cyan), M (Magenta), Y (Yellow), and K (Black).
Top tray paper full	The top tray has become full (approx. 250 pages). You must remove all printed pages from the top tray. When the printer detects that the top tray is empty again, the printer will continues printing into the top tray.

Message	Corrective Action
Virtual mailbox full	The storage area in the hard disk for the virtual mailboxes is full. Print out accumulated jobs in the virtual mailboxes.
Warning low memory	The printer's internal memory is running low due to too many numbers of fonts and macros downloaded. Try deleting unnecessary fonts and macros.

† Messages separated by '( )/( )' are displayed alternately.

†† After this error has happened, page protect mode will be automatically turned on. To maintain optimum use of memory during printing, we recommend you manually turn off page protect mode.

## Storage Error Codes

### Hard Disk Errors

Code	Meaning
01	Hard disk format error. If this error recurs even if the power has been turned off and then on, reformat the hard disk.
02	The disk system is not installed. Recheck the requirements for using the system and the devices.
04	There is no available hard disk space. Delete unnecessary files, etc., in order to free up space.
05	The specified file does not exist in the hard disk.
06	There is no memory available to the hard disk system. Increase the available memory.
10	Formatting is not possible because host data is being spooled on the hard disk. Wait until the hard disk is ready, and then format.
85	VMB: Alias error. The alias setting was lost, or the virtual tray corresponding to the alias does not exist. Set the alias again.
97	The number of permanent code jobs that can be stored reached the limit value, and no more can be saved. Either delete some unnecessary jobs, etc., or increase the limit.
98	An unreadable page was found in a job (The job is damaged.).
99	A print job for the specified ID does not exist in the hard disk.

### Memory Card Errors

Code	Meaning
01	The printer does not support the memory card inserted.
02	The memory card is not installed.
04	The memory card is full and cannot hold further data. Purge unnecessary files or use a new memory card.
05	Specified file is not on the memory card.
06	Insufficient printer memory to support the memory card system. Expand printer memory.

### RAM Disk Errors

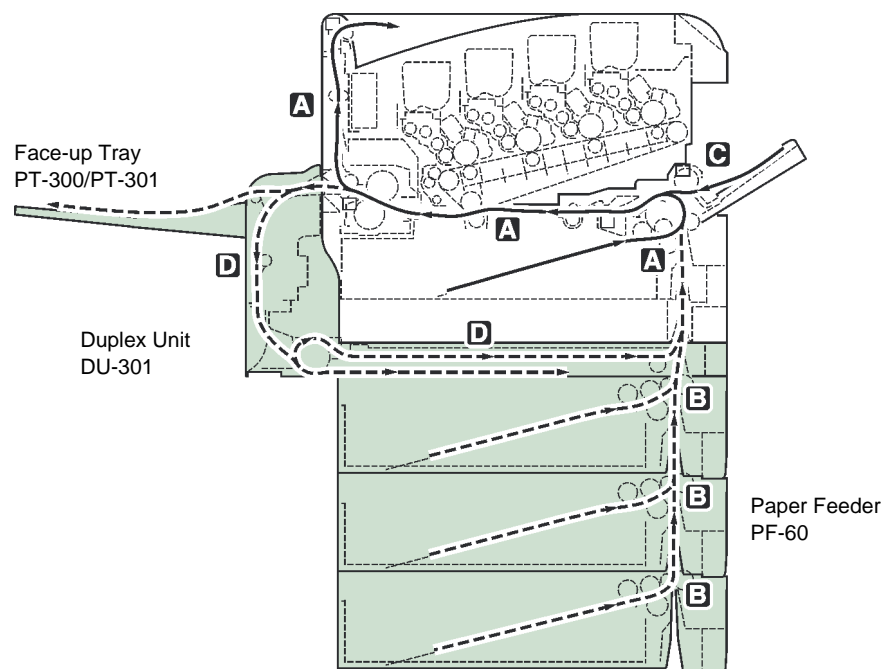
Code	Meaning
01	Format error. Try turning the power off and on again.
02	RAM disk mode is OFF. Turn RAM disk mode On from the operation panel.
04	No disk space. Purge unnecessary files.
05	Specified file is not on disk.
06	Insufficient printer memory to support the RAM disk system. Expand printer memory.

## Clearing Paper Jams

If the paper jammed in the paper transport system, or no paper sheets were fed at all, the `Paper jam` message appears and the location of the paper jam (the component where the paper jam has occurred) is also indicated. The printer automatically goes off-line when this message is displayed. Remove jammed paper. After removing jammed paper, the printer will re-start printing.

### Possible Paper Jam Locations

The figure below explains the printer's paper paths including the options. The locations where paper jams might occur are also shown here, with each location explained in the table below. Paper jams can occur in more than one component on the paper paths.



Paper jam message	Paper jam location	Description	Reference page
Paper jam Printer	A	Paper is jammed at paper cassette 1 or inside the printer.	page 4-15
Paper jam Cassette 2 (to 4)	B	Paper is jammed at the optional paper feeder's cassette.	page 4-18

Paper jam message	Paper jam location	Description	Reference page
<div style="border: 1px solid black; padding: 2px; margin-bottom: 5px;">Paper jam MP Tray</div> <div style="border: 1px solid black; padding: 2px;">Paper jam EF</div>	<b>C</b>	Paper is jammed at the MP tray or optional envelope feeder (if installed).	<i>page 4-17</i> <i>page 4-18</i>
<div style="border: 1px solid black; padding: 2px;">Paper jam Duplexer</div>	<b>D</b>	Paper is jammed inside the rear cover of the optional duplexer or at the duplexer drawer.	<i>page 4-18</i>

### General considerations for clearing jams

Bear in mind the following considerations when attempting jam removal:

**CAUTION:** When pulling the paper, pull it gently so as not to tear it. Torn pieces of paper are difficult to remove and may be easily overlooked, deterring the jam recovery.

- If paper jams occur frequently, try using a different type of paper, replace the paper with paper from another ream, flip the paper stack over, or rotate the paper stack 180 degrees. The printer may have problems if paper jams recur after the paper was replaced.
- Whether or not the jammed pages are reproduced normally after printing is resumed depends on the location of the paper jam.

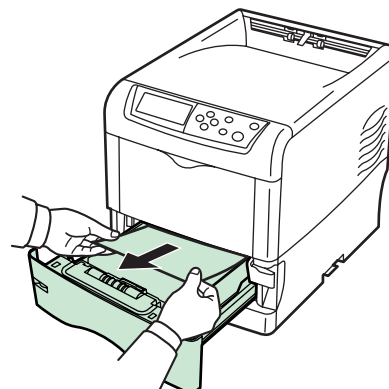
### Utilizing Online Help Messages

Online help messages are available in the printer's message display to provide simple instructions for clearing jams. Press ( ? ) when the paper jam message has appeared. Then a help message will appear to facilitate jam clearing in the location.

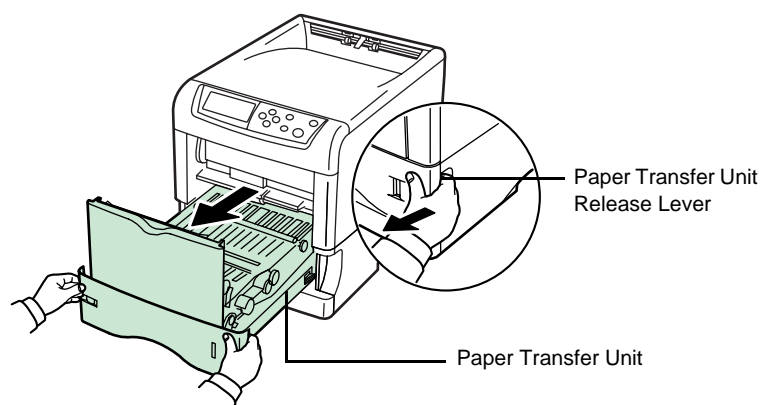
## [Paper jam Printer]

Paper is jammed at the paper cassette or inside the printer. Remove the jammed paper using the procedure given below.

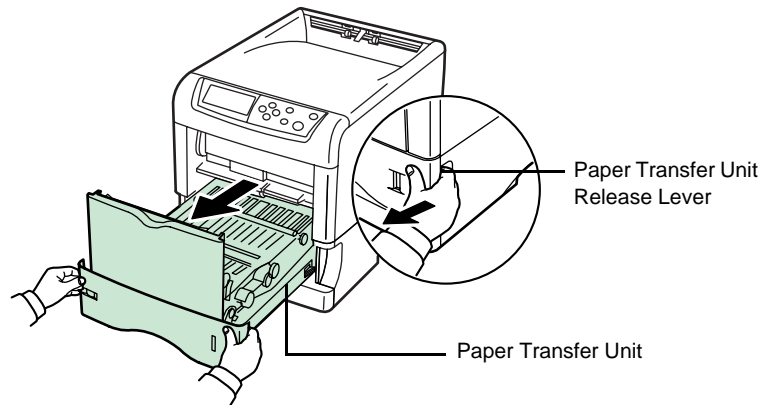
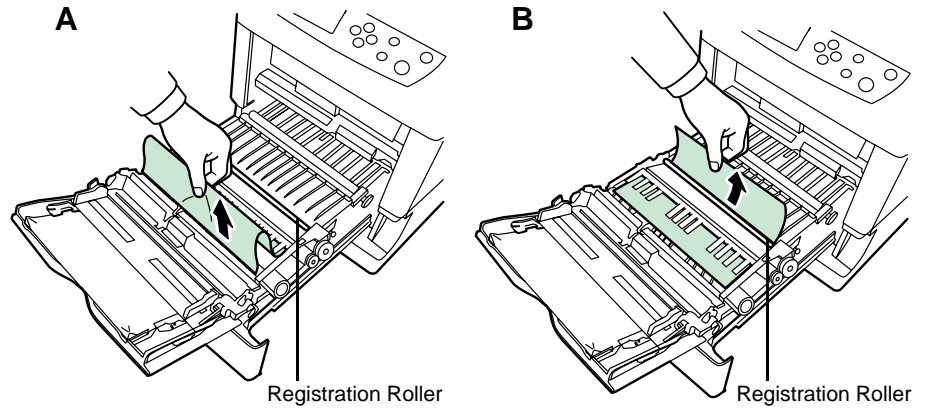
- 1 Pull out the paper cassette and remove the jammed paper.



- 2 While pulling the green paper transfer unit release lever, pull out the paper transfer unit.



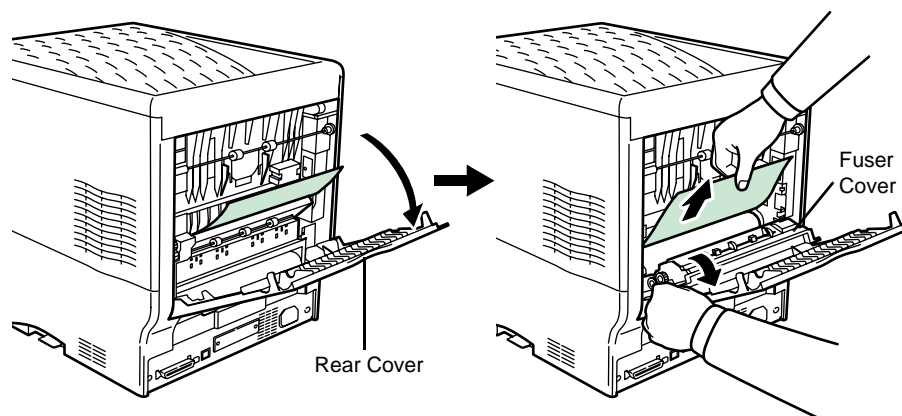
- 3** If paper is jammed as shown in **A**, remove the paper by pulling the center up. If paper is jammed as shown in **B**, remove the paper by pulling the edge.



- 4** Open the rear cover and then the fuser cover, and remove the jammed paper.

**NOTE:** If the optional face-up tray is installed on the printer, remove that tray first before attempting to remove the jammed paper.





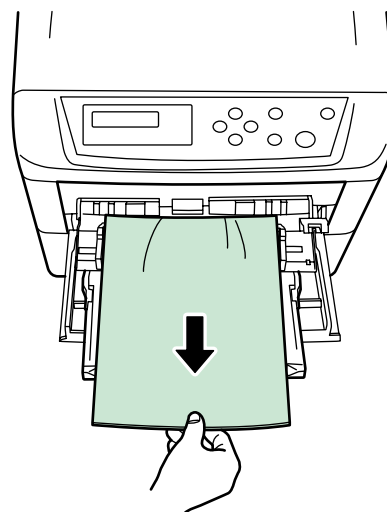
**CAUTION:** The fuser unit inside the printer is hot. Do not touch it with your hands as it may result in burn injury. Remove jammed paper carefully.

- 5 Push the paper transfer unit back in and close the fuser cover and rear cover.

### [Paper jam MP Tray]

Paper is jammed at the MP tray. Remove the jammed paper using the procedure given below.

- 1 Remove the paper jammed at the MP tray.



- 2 Open and close the paper transfer unit (the paper jam error will be reset).

### **[Paper jam Cassette 2 (to 4)]**

Paper is jammed at optional paper cassette 2 (to 4). Refer to the Operation Guide for the optional paper cassette and remove the jammed paper.

### **[Paper jam EF]**

Paper is jammed at the optional envelope feeder. Remove the jammed paper using the same procedure as for a jam at the MP Tray. Then, open and close the paper transfer unit.

### **[Paper jam Duplexer]**

Paper is jammed inside the rear cover of the optional duplexer or at the duplexer drawer. Refer to the Operation Guide for the duplexer and remove the jammed paper.

## 5 Specifications

**NOTE:** Specifications are subject to change without notice.

Item	Description		
	FS-C5015N	FS-C5025N	FS-C5030N
Printing Method	Electrophotographic four color (CMYK) printing using Advanced Beam Array		
Printing Speeds - Cassette	A4: 16ppm B5, A5, Letter: 17ppm Legal: 14ppm	A4: 20ppm B5, A5, Letter: 22ppm Legal: 18ppm	A4: 24ppm B5, A5, Letter: 26ppm Legal: 21ppm
- MP Tray	A4: 15ppm B5, A5, Letter: 16ppm Legal: 13ppm	A4: 19ppm B5, A5, Letter: 20ppm Legal: 16ppm	A4: 22ppm B5, A5, Letter: 23ppm Legal: 19ppm
Paper Sizes - Cassette	A4, B5, A5, Folio, 8 1/2 × 14"(Legal), 8 1/2 × 11"(Letter), Oficio II, Executive, ISO B5, Envelope C5, 16K, and Custom		
- MP Tray	A4, B5, A5, Folio, 8 1/2 × 14"(Legal), 8 1/2 × 11"(Letter), Oficio II, Statement, Executive, A6, B6, ISO B5, Env. Monarch, Envelope #10, Envelope #9, Envelope #6, Envelope DL, Envelope C5, 16K, Hagaki, Oufuku-Hagaki, Youkei 2, Youkei 4, and Custom		
Paper Types - Cassette	Plain, preprinted, bond, recycled, rough, letterhead, color, prepunched, high quality, and custom		
- MP Tray	Plain, transparency, preprinted, labels, bond, recycled, vellum, rough, letterhead, color, prepunched, envelope, cardstock, coated, thick, high quality, and custom		
Paper Feed Source Capacity - Cassette	500 sheets (80g/m <sup>2</sup> )		
- MP Tray	100 sheets (80g/m <sup>2</sup> )		
Output Tray Capacity - Top Tray	250 sheets (80g/m <sup>2</sup> )	250 sheets (80g/m <sup>2</sup> )	
- Face-up Tray (Option)	PT-300: 250 sheets (80g/m <sup>2</sup> ) [100 sheets (80g/m <sup>2</sup> ) when the optional duplexer is installed.]	PT-301: 100 sheets (80g/m <sup>2</sup> )	

Item	Description		
	FS-C5015N	FS-C5025N	FS-C5030N
Warm-up Time (22°C, 60%RH) - Power on	80 seconds or less	68 seconds or less	80 seconds or less
- Sleep	80 seconds or less	68 seconds or less	60 seconds or less
Resolution	600 dpi		
Monthly Duty - Average	2,000 pages	4,000 pages	5,000 pages
- Maximum	50,000 pages	85,000 pages	100,000 pages
Operating Systems	Microsoft Windows 95/98/Me/2000/XP Microsoft Windows NT4.0 Apple Macintosh OS 9 Apple Macintosh OS X		
Controller	PowerPC750Cxr 400MHz	PowerPC750Cxr 500MHz	PowerPC750FX 600MHz
Memory - Standard	128MB		128MB
- Maximum	640MB		1024MB (512MB x 2)
Interface - Standard	USB: Hi-Speed USB Network: 10BASE-T/100BASE-TX KUIO-LV slot		USB: Hi-Speed USB Parallel: IEEE1284 Network: 10BASE-T/ 100BASE-TX KUIO-LV slot
- Option	IB-21E/IB-23: 10BASE-T/100BASE-TX		IB-11: Serial IB-21E/IB-23: 10BASE-T/ 100BASE-TX
Operation Environment - Temperature	10 to 32.5 °C (50 to 90.5 °F)		
- Relative Humidity	15 to 80 %		
- Altitude	2,000m (6,562 feet) maximum		
- Illumination	1,500 lux maximum		
Dimensions (W x D x H)	345 x 470 x 385mm 13-5/8 x 18-1/2 x 15-1/4"		
Weight	Approx. 24kg (52-15/ 16lbs)	Approx. 25kg (55-1/8lbs)	

Item	Description		
	FS-C5015N	FS-C5025N	FS-C5030N
Operating noise (in accordance with ISO7779 [Bystander Position, sound pressure level at the front])	During printing: LpA = 52dB (A) During standby: LpA = 36dB (A) During sleep mode: immeasurably low		During printing: LpA = 55dB (A) During standby: LpA = 36dB (A) During sleep mode: immeasurably low



**QUALITY  
CERTIFICATE**

This machine has passed  
all quality controls and  
final inspection.

## KYOCERA MITA AMERICA, INC.

### **Headquarters:**

225 Sand Road,  
Fairfield, New Jersey 07004-0008  
TEL : (973) 808-8444  
FAX : (973) 882-6000

### **New York Branch:**

1410 Broadway 23rd floor  
New York, NY 10018  
TEL : (917) 286-5400  
FAX : (917) 286-5402

### **Northeastern Region:**

225 Sand Road,  
Fairfield, New Jersey 07004-0008  
TEL : (973) 808-8444  
FAX : (973) 882-4401

### **Midwestern Region:**

201 Hansen Court Suite 119  
Wood Dale, Illinois 60191  
TEL : (630) 238-9982  
FAX : (630) 238-9487

### **Western Region:**

14101 Alton Parkway,  
Irvine, California 92618-7006  
TEL : (949) 457-9000  
FAX : (949) 457-9119

### **Southeastern Region:**

1500 Oakbrook Drive,  
Norcross, Georgia 30093  
TEL : (770) 729-9786  
FAX : (770) 729-9873

### **Southwestern Region:**

2825 West Story Road,  
Irving, Texas 75038-5299  
TEL : (972) 550-8987  
FAX : (972) 252-9786

### **National Operation Center & National Training Center:**

2825 West Story Road,  
Irving, Texas 75038-5299  
TEL : (972) 659-0055  
FAX : (972) 570-5816

### **Latin America Division:**

8240 N.W. 52nd. Terrace Dawson Building,  
Suite 108 Miami, Florida 33166  
TEL : (305) 421-6640  
FAX : (305) 421-6666

## KYOCERA MITA CANADA, LTD.

6120 Kestrel Road, Mississauga,  
Ontario L5T 1S8, Canada  
TEL : (905) 670-4425  
FAX : (905) 670-8116

## KYOCERA MITA MEXICO, S.A. DE C.V.

Av. 16 de Septiembre #407  
Col. Santa Inés,  
Azcapotzalco México,  
D.F. 02130, México  
TEL : (55) 5383-2741  
FAX : (55) 5383-7804



## **KYOCERA MITA EUROPE B.V.**

Hoeksteen 40, 2132 MS Hoofddorp,  
The Netherlands  
Phone: +31.(0)20.654.0000  
Home page: <http://www.kyoceramita-europe.com>  
Email: [info@kyoceramita-europe.com](mailto:info@kyoceramita-europe.com)

## **KYOCERA MITA NEDERLAND B.V.**

Beechavenue 25, 1119RA SCHIPHOL-RIJK  
The Netherlands  
Phone: +31-(0)20-5877200

## **KYOCERA MITA (UK) LTD.**

8 Beacontree Plaza  
Gillette Way, Reading Berks RG2 0BS,  
UK  
Phone: +44.(0)118.931.1500

## **KYOCERA MITA ITALIA S.P.A.**

Via Verdi 89 / 91 20063 Cernusco sul Naviglio,  
(Milano), Italy  
Phone: +39.02.92179.1

## **S.A. KYOCERA MITA BELGIUM N.V.**

Hermesstraat 8A 1930 Zaventem,  
Belgium  
Phone: +32.(0)2.720.9270

## **KYOCERA MITA FRANCE S.A.**

Parc Les Algorhmes, Saint Aubin  
91194 GIF-SUR-YVETTE,  
France  
Phone: +33.(0)1.6985.2600

## **KYOCERA MITA ESPAÑA S.A.**

Edificio Kyocera, Avda de Manacor N. 2,  
Urb. Parque Rozas 28290 Las Rozas, Madrid,  
Spain  
Phone: +34.(0)91.631.8392

## **KYOCERA MITA FINLAND OY**

Kirvesmiehenkatu 4 00810 Helsinki,  
Finland  
Phone: +358.(0)9.4780.5200

## **KYOCERA MITA (SCHWEIZ) AG**

Industriestrasse 28, 8604 Volketswil,  
Switzerland  
Phone: +41.(0)1.908.4949

## **KYOCERA MITA DEUTSCHLAND GMBH**

Mollsfeld 12-40670 Meerbusch,  
Germany  
Phone: +49.(0)2159.918.0

## **KYOCERA MITA GMBH AUSTRIA**

Eduard-Kittenberger Gasse 95  
A-1230 Wien,  
Austria  
Phone: +43.(0)1.86338.401

## **KYOCERA MITA SVENSKA AB**

Vretenvägen 2, 6tr, 17154 Solna,  
Sweden  
Phone: +46.(0)8.546.550.00

## **KYOCERA MITA NORGE**

Postboks 150 Oppsal, NO 0619 Oslo  
Olaf Helsetsvei 6, NO 0694 Oslo,  
Norway  
Phone: +47.(0)22.62.73.00

## **KYOCERA MITA DANMARK A/S**

Slotsmarken 11, 2 DK-2970 Hørsholm,  
Denmark  
Phone: +45.7022.3880

## **KYOCERA MITA PORTUGAL LDA.**

Rua do Centro Cultural, no 41 1700-106 Lisbon,  
Portugal  
Phone: +351.(0)21.843.6780

## **KYOCERA MITA SOUTH AFRICA (PTY) LTD.**

527 Kyalami Boulevard,  
Kyalami Business Park Midrand,  
South Africa  
Phone: +27.(0)11.540.2600

## **KYOCERA MITA AMERICA, INC.**

### **Headquarters:**

225 Sand Road,  
Fairfield, New Jersey 07004-0008,  
U.S.A.  
Phone: (973) 808-8444

## **KYOCERA MITA AUSTRALIA PTY. LTD.**

Level 3, 6-10 Talavera Road, North Ryde,  
N.S.W. 2113 Australia  
Phone: (02) 9888-9999

## **KYOCERA MITA NEW ZEALAND LTD.**

1-3 Parkhead Place, Albany  
P.O. Box 302 125 NHPC, Auckland,  
New Zealand  
Phone: (09) 415-4517

## **KYOCERA MITA (THAILAND) CORP., LTD.**

9/209 Ratchada-Prachachem Road,  
Bang Sue, Bangkok 10800, Thailand  
Phone: (02) 586-0320

## **KYOCERA MITA SINGAPORE PTE LTD.**

121 Genting Lane, 3rd Level,  
Singapore 349572  
Phone: 67418733

## **KYOCERA MITA HONG KONG LIMITED**

11/F., Mita Centre,  
552-566, Castle Peak Road,  
Tsuen Wan, New Territories,  
Hong Kong  
Phone: 24297422


## **KYOCERA MITA TAIWAN Corporation.**

7F-1~2, No.41, Lane 221, Gangchi Rd.  
Neihu District, Taipei, Taiwan, 114. R.O.C.  
Phone: (02) 87511560

## **KYOCERA MITA Corporation**

2-28, 1-chome, Tamatsukuri, Chuo-ku  
Osaka 540-8585, Japan  
Phone: (06) 6764-3555  
<http://www.kyoceramita.com>

©2006 KYOCERA MITA Corporation

 is a trademark of Kyocera Corporation

