



UltraATA 133 PCI

Quick Installation Guide

Introducing the *UltraATA 133 PCI*

The *UltraATA 133 PCI* is an ultra high-speed dual channel Ultra ATA/133 controller board for use in Pentium-class computer.

Features and Benefits

- Compliant with UltraDMA6 ATA/133 specifications
- Compliant with PCI v2.2 Plug-n-Play
- Provides two independent Ultra ATA channels (built-in 256-byte FIFOs per channel)
- Full ACPI power management support
- Supports Ultra DMA 0-6 and Multi-word DMA 0-2
- Breaks the 137GB barrier! Supports hard drives larger than 137GB
- Coexists with on-board controller
- CRC (Cyclical Redundancy Check) error-checking provides data verification and achieves flawless data transfer
- Flash BIOS for easy upgrade
- Achieves burst data transfer rates up to 133MB/sec
- Works with various brand, capacity hard disk drives and ATAPI devices

System Requirements

- Pentium-class computer with an available PCI slot
- Windows 98SE/ME/NT 4.0/2000/XP/Server 2003

Package Contents

- *UltraATA 133 PCI* adapter
- Driver diskette
- 40-pin/80-wire Ultra ATA cable
- This quick installation guide

Layout

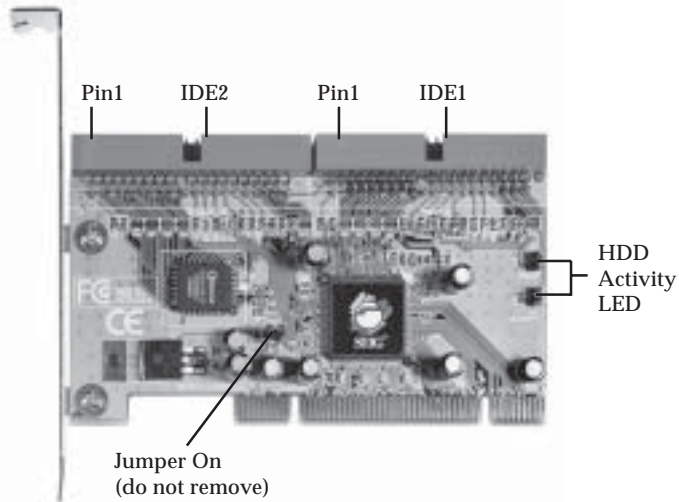


Figure 1. UltraATA 133 PCI RAID layout

Hardware Installation

General instructions for installing the card are provided below. Since the design of computer cases and motherboards vary, refer to your computer's reference manual for further information, if needed.

Static Electricity Discharge may permanently damage your system. Discharge any static electricity build up in your body by touching your computer's case for a few seconds. Avoid any contact with internal parts and handle cards only by their external edges.

1. Turn OFF the power to your computer and any other connected peripheral devices.
2. Unplug the power cord from the back of the computer.
3. Remove your computer's cover.
4. Remove the slot bracket from an available PCI slot.
5. To install the card, carefully align the card's bus connector with the selected PCI slot on the motherboard. Push the board down firmly, but gently, until it is well seated.
6. Replace the slot bracket's holding screw to secure the card.

Device Connection

The *UltraATA 133 PCI* is a dual channel Ultra ATA/133 controller that supports up to four IDE hard disk drives or ATAPI devices. If you plan to use the second IDE channel (**IDE2**).

In order to achieve high-speed data transfer, a 40-pin/80-wire Ultra ATA ribbon cable is recommended. Also, do not mix Ultra ATA/133 hard disk with slower IDE or ATAPI devices on the same channel.

1. Install hard disk drive(s) in chassis.
2. Attach one connector on the long end of the Ultra ATA ribbon cable to the board's **IDE** connector and the other connector(s) to your IDE drive(s). Make sure pin 1 on the cable (indicated by the colored stripe) matches pin 1 on the board's **IDE** connector and your IDE drive(s).
3. When two drives are installed on the same **IDE** channel, make sure one drive is set up as *Master* and the other as *Slave*. This rule applies to both **IDE** channels.

4. The Ultra ATA ribbon cable has two connectors. If you install only one drive, connect it to the end connector of the cable. On the other hand, if you install two drives, connect the *master* drive to the end connector of the cable and the *slave* drive in the middle connector.

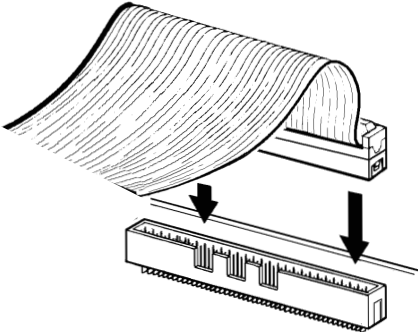


Figure 2. Connecting the cable

5. Reconnect the system power and other peripherals to your computer.

Driver Installation

This section provides information on how to install the *UltraATA 133 PCI* drivers for the following operating systems:

Windows 98SE.....	page 5
Windows ME	page 6
Verify Windows 98SE/ME Installation	page 6-7
Windows NT 4.0	page 7
Verify Windows NT 4.0 Installation	page 8
Windows 2000	page 8
Windows XP/Server 2003	page 9
Verify Windows 2000/XP/2003 Installation	page 10
Bios Configuration.....	page 10

Windows 98SE

For New Windows 98SE Installation

1. Install the board and follow Microsoft procedures to install Windows 98SE accordingly.
2. Once Windows has been installed, right click **My Computer** and click **Properties**. Select **Device Manager** tab.
3. Double click **PCI Mass Storage Controller** listed under **Other Devices**.
4. Select **Driver** tab, then click **Update Driver** button.
5. Insert the driver diskette and click **Next**.
6. Select **Search for a better driver ...** and click **Next**.
7. Check **Floppy disk drives**, uncheck the other boxes, then click **Next**. Click **Next** again, then **Finish**.
8. Remove the driver diskette and restart Windows to complete driver installation.

For Existing Windows 98SE Installation

1. Install the board and boot up Windows 98SE.
2. At the **Add New Hardware Wizard**, click **Next**.
3. Select **Search for the best driver for your device** and click **Next**.
4. Insert the driver diskette, check **Floppy disk drives**, uncheck the other boxes, then click **Next**.
5. Click **Next**, then **Finish**.
6. Remove the driver diskette and restart Windows to complete driver installation.

Windows ME

For New Windows ME Installation

1. Install the board and follow Microsoft procedures to install Windows ME accordingly.
2. Once Windows has been installed, right click **My Computer**, then click **Properties**. Select **Device Manager** tab.
3. Double click **PCI Mass Storage Controller** listed under **Other Devices**.
4. Select **Driver** tab, then click **Update Driver** button.
5. Insert the driver diskette, select **Automatic search for a better driver (Recommended)**, then click **Next**.
6. Click **Finish**, remove the driver diskette and click **Yes** to restart Windows to complete driver installation.

For Existing Windows ME Installation

1. Install the board and boot up Windows ME.
2. At the **Add New Hardware Wizard**, insert the driver diskette.
3. Select **Automatic search for a better driver (Recommended)**, then click **Next**.
4. Click **Finish**.
5. Remove the driver diskette and restart Windows to complete driver installation.

To Verify Windows 98SE/ME Installation

1. Right-click **My Computer**, then click **Properties**. Select **Device Manager** tab.
2. Double click **SCSI Controllers**, an entry, **Silicon Image SiI 0680 ATA/133 Controller** should be listed.

3. Highlight **Silicon Image SiI 0680 ATA/133 Controller** and click **Properties**. A message *This device is working properly* is displayed in the dialog box, the driver has been correctly installed. If any error message is displayed, remove **Silicon Image SiI 0680 ATA/133 Controller** and restart your system.

Windows NT 4.0

For New Windows NT 4.0 Installation

1. Install the board and follow Microsoft procedures to install Windows NT 4.0 accordingly.
2. At the **Windows NT Setup** screen, press **F6** to specify and add the driver.
3. Press **S**, select **Other**, then press **Enter**.
4. Insert the driver diskette and press **Enter**.
5. Select **Silicon Image SiI 0680 ATA/133 Controller** and press **Enter**.
6. Press **Enter** to continue and follow on-screen instructions to complete Windows NT 4.0 installation.

For Existing Windows NT 4.0 Installation

1. Install the board and boot up Windows NT 4.0.
2. Double click **My Computer/Control Panel/SCSI Adapters**, then click the **Drivers** tab.
3. Click **Add...** then **Have Disk...**
4. Insert the driver diskette, type in **A:**, then click **OK**.
5. Highlight **Silicon Image SiI 0680 ATA/133 Controller** and click **OK**.
6. Click **OK**, remove the driver diskette and restart NT to complete driver installation.

To Verify Windows NT 4.0 Installation

1. Double click **My Computer/Control Panel/SCSI Adapters**.
2. Highlight **Silicon Image SiI 0680 ATA/133 Controller** from **SCSI Adapters** listing and click **Properties**. A message *This device is working properly* is displayed in the dialog box, the driver has been correctly installed.

Windows 2000

For New Windows 2000 Installation

1. Install the board and follow Microsoft procedures to install Windows 2000 accordingly.
2. Restart your system when prompted during Windows' installation.
3. At the **Windows 2000 Setup** screen, press **F6** to install the driver.
4. Insert the driver diskette. Press **S**, then press **Enter**.
5. Select **Silicon Image SiI 0680 ATA/133 Controller** and press **Enter**.
6. Press **Enter** to continue and follow on-screen instructions to complete installation.

For Existing Windows 2000 Installation

1. Install the board and boot up Windows 2000.
2. At the **Found New Hardware Wizard**, click **Next**.
3. Select **Search for a suitable driver for my device (recommended)** and click **Next**.
4. Insert the driver diskette, check **Floppy disk drives**, uncheck the other boxes, and click **Next**. Click **Next** again to continue.
5. Click **Finish**, remove the driver diskette and restart Windows to complete driver installation.

Windows XP/Server 2003

For New Windows XP/Server 2003 Installation

1. Install the board and follow Microsoft procedures to install Windows XP accordingly.
2. Restart your system when prompted during Windows' installation.
3. At the **Windows Setup** screen, press **F6** to install the driver.
4. Insert the driver diskette. Press **S** then press **Enter**.
5. Select **Silicon Image SiI 0680 ATA/133 Controller** and press **Enter**.
6. Press **Enter** to continue and follow on-screen instructions to complete Windows XP installation.
7. When the **Software Installation** warning pops up, click **Yes**. And when the **Hardware Installation** warning pops up, click **Yes** again.

For Existing Windows XP/Server 2003 Installation

1. Install the board and boot up Windows XP.
2. At the **Found New Hardware Wizard**, insert the driver diskette, select **Install the software automatically (Recommended)**, then click **Next**.
3. Click **Finish**, remove the driver diskette and restart Windows to complete the installation.

To Verify Windows 2000/XP/2003 Installation

1. Right click **My Computer** and click **Manage**.
2. Select **Device Manager**.
3. Double click **SCSI and RAID Controllers**, then double click **Silicon Image SiI 0680 ATA/133 Controller** to display driver properties.
4. A message *This device is working properly* is displayed in the dialog box, the driver has been correctly installed.

Bios Configuration

The *UltraATA 133 PCI BIOS* will appear everytime your system starts up. If the bios doesn't show, please try your controller in another PCI slot. During this **(Post)** process, the bios will show up and indicate the devices attached to it.

Technical Support and Warranty

QUESTIONS? SIIG's **Online Support** has answers! Simply visit our website at www.siig.com and click on **Support**. Our online support database is updated daily with new drivers and solutions. Answers to your questions could be just a few clicks away. You can also submit questions online and one of our technical support analysts will promptly respond.

A lifetime manufacturer warranty supplied with this product is offered by SIIG, Inc. Please see SIIG website for more warranty details. If you should happen to encounter any problems with this product, please follow the procedures below.

If it is within the store's return policy period, please return the product to the store where you purchased from.

If your purchase has passed the store's return policy period, please follow these steps to have the product repaired or replaced.

Step 1: Submit your RMA request.

Go to www.siig.com, click **Support**, then **RMA** to submit a request to [SIIG RMA](#). If the product is determined to be defective, an RMA number will be issued. SIIG RMA department can also be reached at (510)413-5333.

Step 2: After obtaining an RMA number, ship the product.

- Properly pack the product for shipping. All software, cable(s) and any other accessories that came with the original package must be included.
- Clearly write your RMA number on the top of the returned package. SIIG will refuse to accept any shipping package, and will not be responsible for a product returned without an RMA number posted on the outside of the shipping carton.
- You are responsible for the cost of shipping the product to SIIG at the following address:

SIIG, Inc.
6078 Stewart Avenue
Fremont, CA 94538
RMA #:

- SIIG will ship the repaired or replaced product via Ground in the U.S and International Economy outside of the U.S at no cost to the customer.

About SIIG, Inc.

Founded in 1985, SIIG, Inc. is a leading computer upgrade manufacturer of I/O connectivity products, including PCI & ISA serial and parallel ports, USB, Serial ATA & UltraATA controllers, FireWire (1394a/b), Networking, Sound Cards, and other accessories. SIIG is the premier one-stop source of upgrades.

SIIG products offer comprehensive user manuals, many user-friendly features, and are backed by an extensive manufacturer warranty. High-quality control standards are evident by the overall ease of installation and compatibility of our products, as well as one of the lowest defective return rates in the industry. SIIG products can be found in computer retail stores, mail order catalogs, and e-commerce sites in the Americas and the UK, as well as through major distributors, system integrators, and VARs.

PRODUCT NAME

UltraATA 133 PCI

FCC RULES: TESTED TO COMPLY WITH FCC PART 15, CLASS B
OPERATING ENVIRONMENT: FOR HOME OR OFFICE USE

FCC COMPLIANCE STATEMENT:

This device complies with part 15 of the FCC Rules. Operation is subject to the following two conditions: (1) This device may not cause harmful interference, and (2) this device must accept any interference received, including interference that may cause undesired operation.

THE PARTY RESPONSIBLE FOR PRODUCT COMPLIANCE

SIIG, Inc.
6078 Stewart Ave.
Fremont, CA 94538-3152

UltraATA 133 PCI is a trademark of SIIG, Inc.
SIIG and SIIG logo are registered trademarks of SIIG, Inc. Microsoft and Windows are registered trademarks of Microsoft Corporation. Pentium is a registered trademark of Intel Corporation. Other names used in publication are for identification only and may be trademarks of their respective companies.