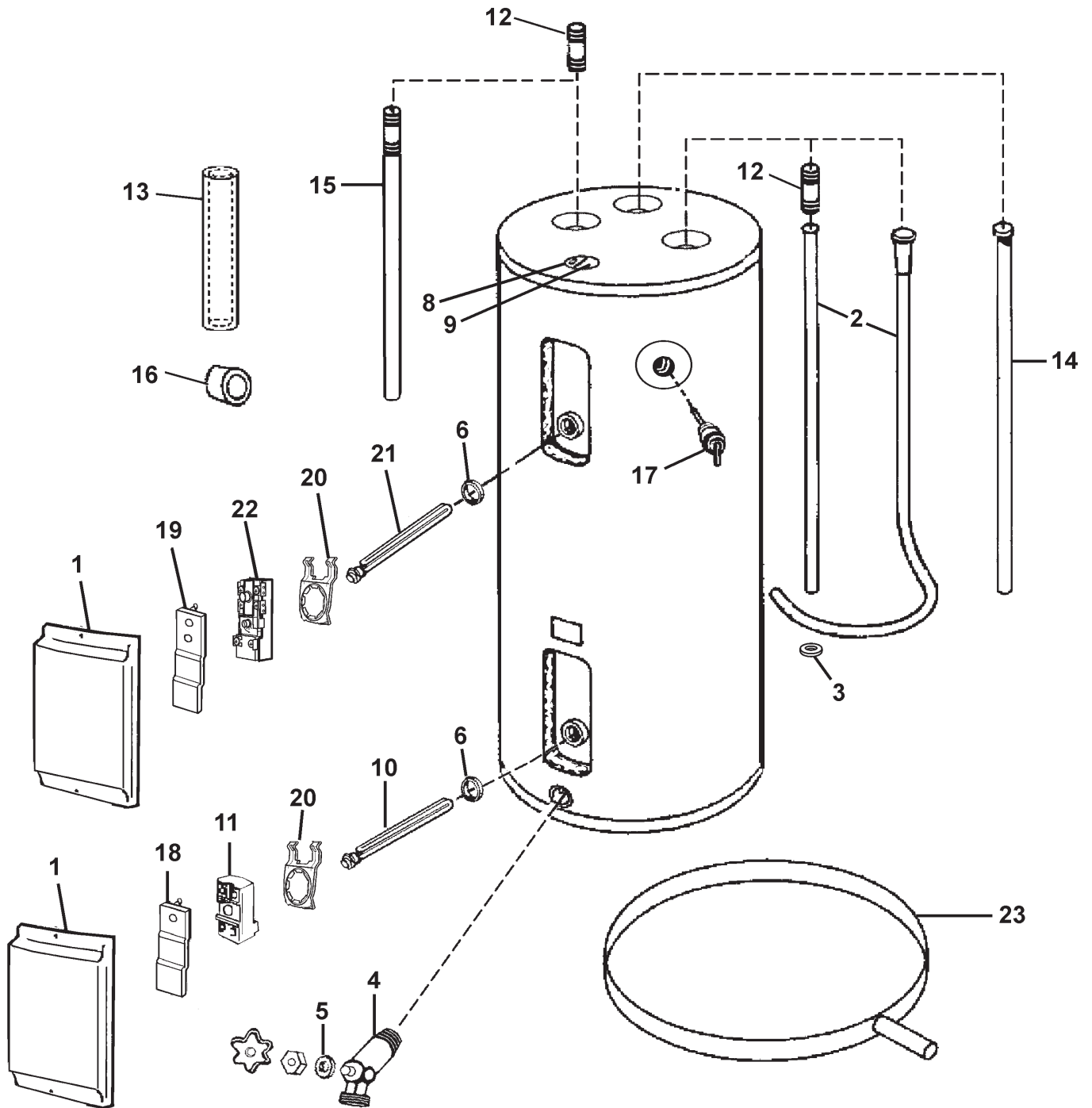


RESIDENTIAL WATER HEATER PARTS LIST  
 MODELS: ES6/ESX 40, 52, 66, 80 DOCT,  
 ES6/ESX 50 DOCS  
 SELECT HE



**State Water Heater Parts Fulfillment**

125 Southeast Parkway, Franklin, TN 37068

1-800-527-1953

[www.statewaterheaters.com](http://www.statewaterheaters.com)

Item	Description	ES6/ESX 40 DOCT	ES6/ESX 52 DOCT	ES6/ESX 66 DOCT	ES6/ESX 80 DOCT	ES6/ESX 50 DOCS
1	Access Panel	181260-000	181260-000	181260-000	181260-000	181260-000
2	Dip Tube	183900-052	183900-046	183900-052	183900-052	183900-040
3	Dip Tube Seal	184011-000	184011-000	184011-000	184011-000	184011-000
4	Drain Valve	026273-004	026273-004	026273-004	026273-004	026273-004
5	Drain Valve Washer (17/32" x 13/64" x 1/8")***	N/A	N/A	N/A	N/A	N/A
6	Element Gasket	5300370	5300370	5300370	5300370	5300370
7	Instruction Manual**	184671-000	184671-000	184671-000	184671-000	184671-000
8	Junction Box Bracket w/CDT Hole	184659-000	184659-000	184659-000	184659-000	184659-000
9	Junction Box Cover	184666-000	184666-000	184666-000	184666-000	184666-000
10	Lower Element	042285-025	042285-025	042285-025	042285-025	042285-025
11	Lower Thermostat w/High Limit	183532-000	183532-000	183532-000	183532-000	183532-000
12	Nipple w/Heat Traps*	184633-001	184715-001	184633-001	184715-001	184633-004
13	Pipe Insulation*	181639-003	181639-003	181639-003	181639-003	181639-003
14	Primary Anode Rod (10 yr Mag.)	183463-032	183463-032	183463-039	183463-050	183463-032
14	Primary Anode Rod (6 yr Alum.)	183523-029	183523-026	183463-029	183463-032	183523-026
15	Secondary Anode Outlet w/Heat Trap*	N/A	N/A	N/A	N/A	N/A
16	T & P Insulation*	183256-000	183256-000	183256-000	183256-000	183256-000
17	T & P Relief Valve	043151-004	043151-004	043151-004	043151-004	043151-004
18	Terminal Cover	183529-000	183529-000	183529-000	183529-000	183529-000
19	Terminal Cover w/High Limit	183530-000	183530-000	183530-000	183530-000	183530-000
20	Thermostat Bracket	184608-000	184608-000	184608-000	184608-000	184608-000
21	Upper Element	042286-021	042286-021	042286-021	042286-021	042286-021
22	Upper Thermostat w/High Limit	182354-000	183534-000	183534-000	183534-000	183534-000
23	20" Dia. Plastic Drain Pan w/Side Drain*	9002842	9002842	9002842	9002842	9002842
23	22" Dia. Plastic Drain Pan w/Side Drain*	9002843	9002843	9002843	9002843	9002843
23	24" Dia. Plastic Drain Pan w/Side Drain*	9002844	9002844	9002844	9002844	9002844
23	26" Dia. Plastic Drain Pan w/Side Drain*	9002845	9002845	9002845	9002845	9002845

\* If Applicable.  
\*\* Not Illustrated  
\*\*\* Available at most hardware stores



**State Water Heater Parts Fulfillment**  
125 Southeast Parkway, Franklin, TN 37068  
1-800-527-1953  
www.statewaterheaters.com