

FEATURED MODEL

501-101 6" bowl depth

FEATURES

- 20 gauge, 304 series stainless steel
- 18/8 chrome/nickel content
- Long-lasting, easy-to-clean, satin finish
- Center drain placement
- Straight bowl sides with 1-1/2" cutout corner radius

WARRANTY

Blanco America's BLANCOSPEX™ Series sinks feature a 25-year "NO HASSLE" LIMITED WARRANTY to be free of all manufacturing defects under normal use. See our complete warranty for details.

While Blanco America endeavors to provide accurate information, all dimensions are nominal, cannot be guaranteed, and are subject to change or cancellation. Blanco America assumes no responsibility for use of superseded or voided specifications.

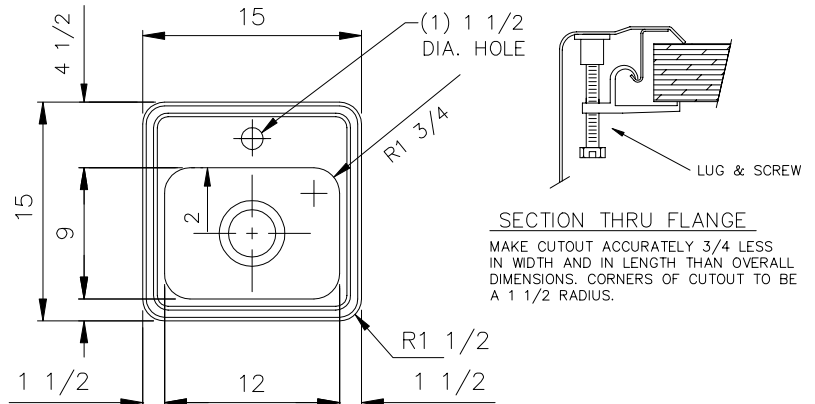


MODEL 501-101

NOMINAL DIMENSIONS

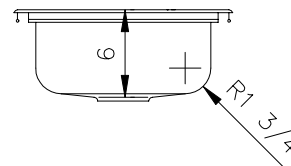
MODEL	OVERALL	CUTOUT SIZE	BOWL DEPTH	DRAIN DIAMETER
501-101	15 x 15	14-1/4 x 14-1/4	6	3-1/2

DXF cutout templates available on our web site or this specification CD.



PRODUCT SPECIFICATION

Drop-In sink to be bar sink design, 15" in length and 15" in front-to-back depth. Sink to be made from 20 gauge, 304 series stainless steel, with 18/8 chrome/nickel content and satin finish. Sink to feature center drain placement and straight bowl sides with 1-1/2" cutout corner radius. Sink to be Blanco Model 501-101, with bowl depth of 6".

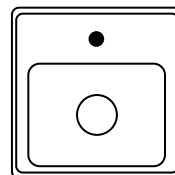


JOB INFORMATION

Job Name: _____
 Contact: _____
 Date Specified: _____
 Specifier: _____
 Contractor: _____

KNOCKOUT HOLE LOCATIONS

Pre-drilled for single-hole faucet.
 No additional holes available.



BLANCO AMERICA
 800.451.5782
 www.blancoamerica.com