

COOKTOP DDRAFT

Repair Parts List

MODEL NUMBER

CVE1400B-C

When requesting service or ordering parts, always provide the following information:

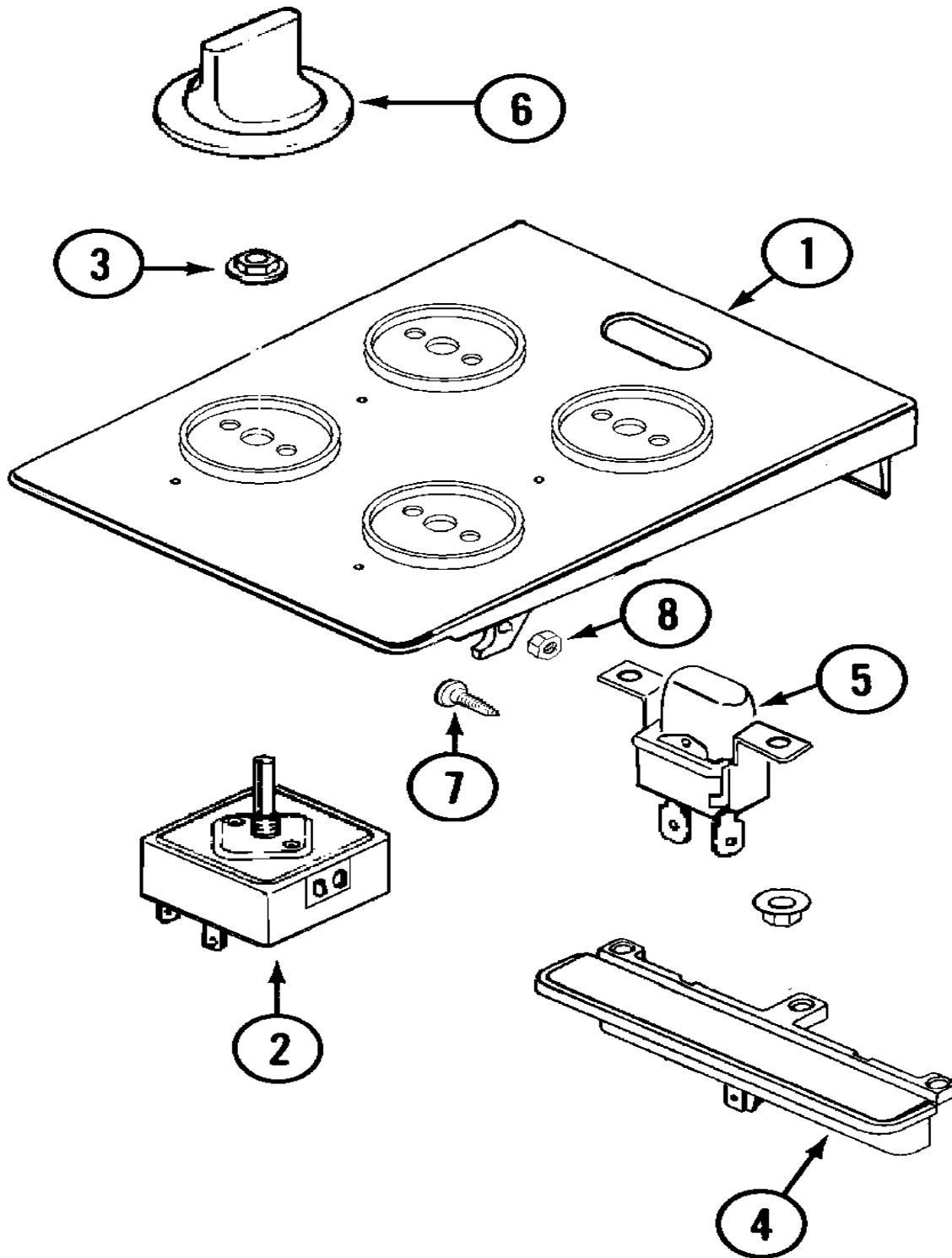
- Product Type
- Part Number
- Model Number
- Part Description

MAYTAG®

©2005 Maytag Services

Section: CONTROL ASSEMBLY

Model: CVE1400B-C



C10-231

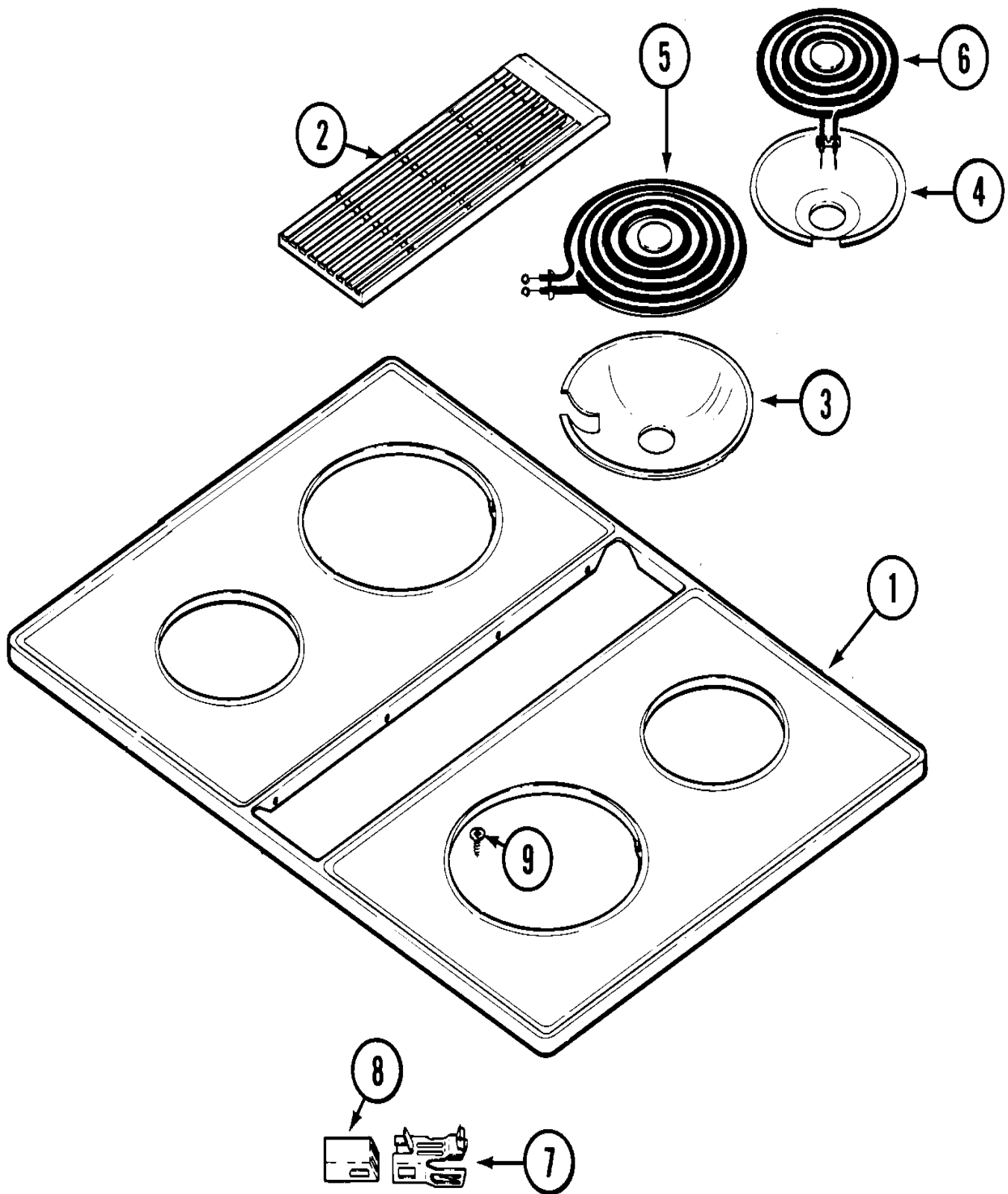
Section: CONTROL ASSEMBLY

No.	Part No.	Description	Series	Qty
1	71001559	ESCUTCHEON Note: ESCUTCHEON (BLK)	11	1
-	Y704864	SCREW Note: SCREW, SWITCH	11	8
2	703650	SWITCH, INFINITE	11	4
3	Y04100035	NUT, PUSH Note: NUT, PAL	11	3
4	71001562	BOX, LIGHT ASSY. Note: BOX ASSY., LIGHT	11	1
5	71001564	SWITCH, FAN (BLK) Note: (BLK)	11	1
-	71001579	RELAY, FAN	11	1
6	71001565	KNOB, INF SWITCH (BLK) Note: KNOB, SWITCH (BLK)	11	4
-	705463	CLIP Note: CLIP, SCREW	11	2
7	71001171	SCREW, GROUND	11	2
- N	71001571	WIRE (WHT) Note: WIRE, WHT	11	1
8	Y701396	NUT Note: NUT, ESCUTCHEON	11	2
- N	71001602	HARNESS, CONTROL	11	1
- N	71001583	WIRE (BLK) Note: WIRE, BLK	11	1
-	71001570	WIRE, PILOT LIGHT	11	1
-	702592	WASHER Note: WASHER, ESCUTCHEON	11	5
- N	71001597	WIRE, RED	11	1
- N	704360	WIRE, BLUE	11	1
- N	71001567	WIRE (YLW) Note: WIRE, YELLOW	11	1
- N	71001568	WIRE (BLU-BLK) Note: WIRE, BLUE/BLK	11	1
-	EW001-00	MANUAL, SERVICE Note: MANUAL, SERVICE	11	1
- N	71001566	WIRE (BRN) Note: WIRE, BROWN	11	1
-	71001996	MANUAL, USE & CARE	11	1

*Color Code (-)=Not Shown #=Series, Serial Prefix or Run No., N=Not Available

Section: TOP ASSEMBLY

Model: CVE1400B-C



C15-228

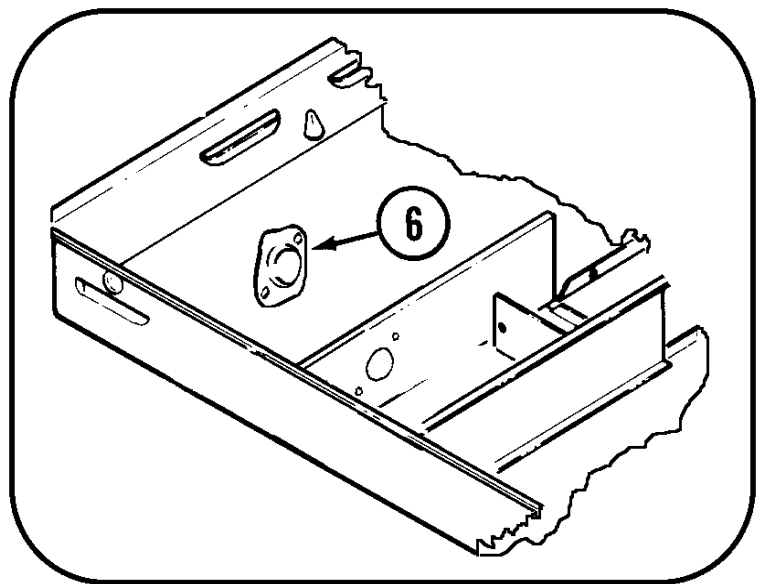
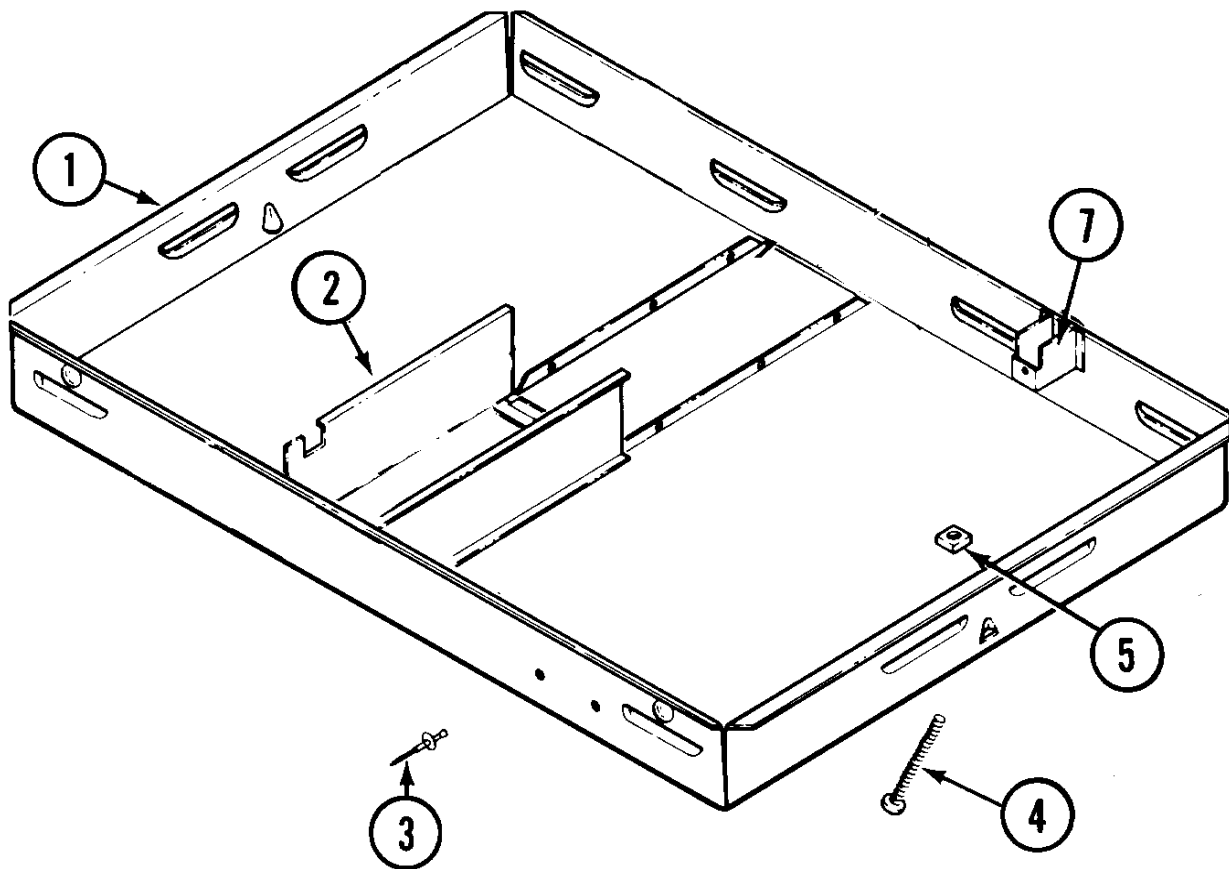
Section: TOP ASSEMBLY

No.	Part No.	Description	Series	Qty
1	Y04100372	MAIN TOP (BLK)----N Note: (BLK)	11	1
-	Y707347	SCREW ----S Note: SCREW, GRILL	11	4
2	71001576	GRILL, AIR Note: (BLK)	11	1
3	Y04100528	DRIPBOWL, 8" (BLK) Note: (8" BLK)	11	2
4	Y04100527	DRIPBOWL, 6" (BLK) Note: (6" BLK)	11	2
5	Y04100166	ELEMENT 8" 5T DELTA BLK Note: ELEMENT (8")	11	2
6 N	703799	WIRE, VIOLET	11	4
6	701678	TIE, CABLE	11	1
- N	04100248	WIRE, GROUND Note: WIRE-GROUND	11	1
6 N	703800	WIRE, YELLOW	11	4
6	Y04100165	ELEMENT 6" 4T DELTA BLK Note: ELEMENT (6")	11	2
7	Y712355	BRACKET, RECEPTACLE---S Note: CLIP, RECEPTACLE	11	4
8	Y04100394	RECEPTACLE Note: BLOCK, RECEPTACLE	11	4
9	Y703571	SCREW ----S Note: SCREW, RECEPTACLE	11	4

*Color Code (-)=Not Shown #=Series, Serial Prefix or Run No., N=Not Available

Section: BURNER BOX ASSY.

Model: CVE1400B-C



C14-278

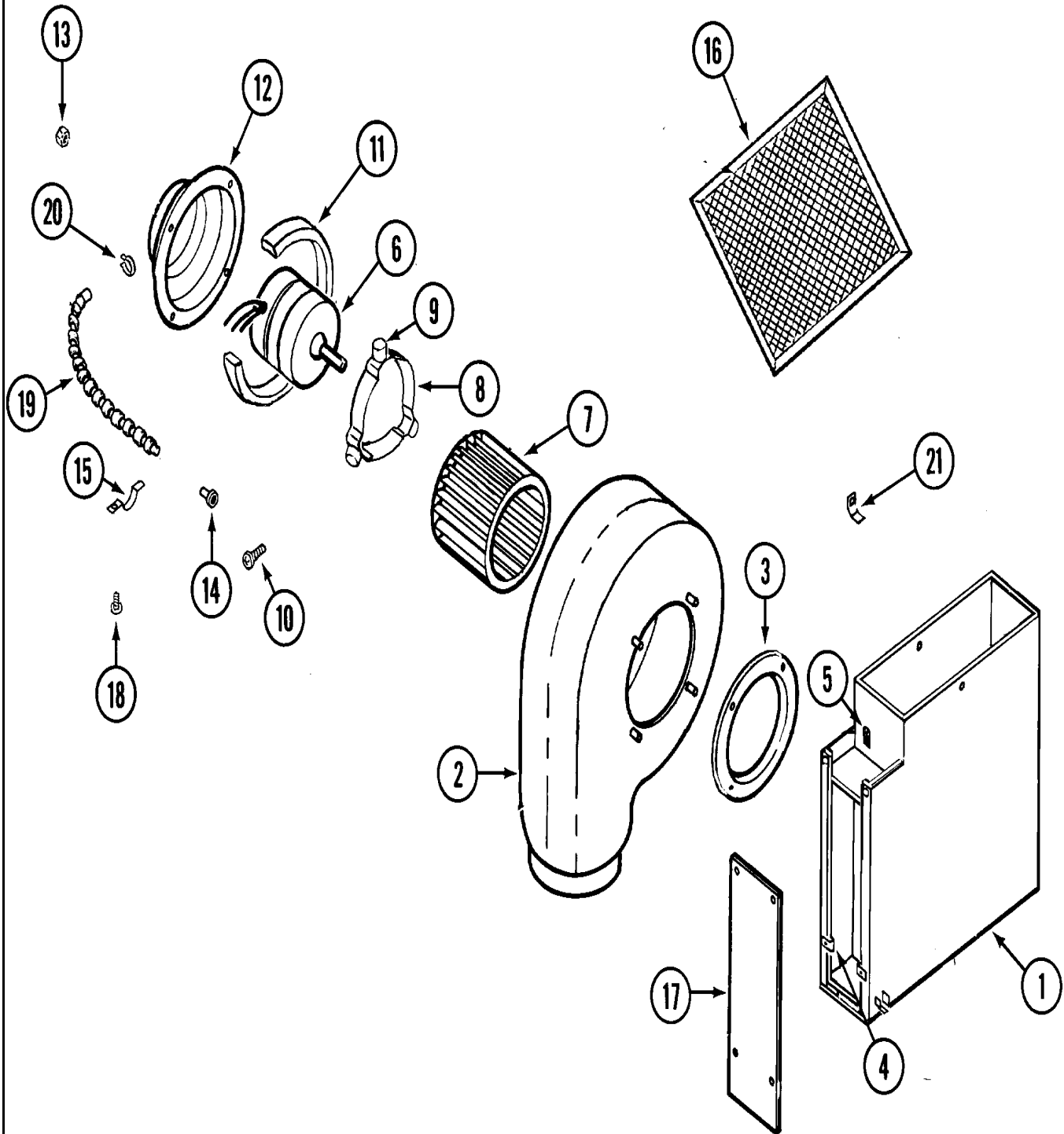
Section: BURNER BOX ASSY.

No.	Part No.	Description	Series	Qty
1	N 04100395	BOX, BURNER	11	1
2	N 04100396	BAFFLE, BURNER BOX Note: BAFFLE, BURNER BOX	11	2
3	701662	RIVET Note: RIVET	11	12
4	Y707121	SCREW Note: SCREW, BURNER BOX	11	2
5	Y707124	NUT,SQUARE Note: NUT, SQUARE	11	2
-	Y700502	SCREW Note: SCREW (#8AB/WASHER)	11	10
-	N 04100398	LIMIT SHIELD Note: SHIELD, LIMIT	11	2
6	Y04100397	LIMITER, THERMAL	11	2
-	Y708910	CLIP Note: CLAMP, CABLE	11	1
-	N 04100400	DRAIN COVER Note: COVER, DRAIN	11	2
7	N 04100399	TOP SUPPORT BRACKET Note: BRACKET, TOP SUPPORT	11	4

*Color Code (-)=Not Shown #=Series, Serial Prefix or Run No., N=Not Available

Section: BLOWER ASSEMBLY-PLENUM

Model: CVE1400B-C



C18-31

Section: BLOWER ASSEMBLY-PLENUM

No.	Part No.	Description	Series	Qty
1	71001577	PLENUM ASSY. Note: PLENUM ASSY	11	1
-	Y704761	RING, RESTRICTOR	11	1
2	712008	SCROLL, BLOWER ASSY.	11	1
-	Y704762	RETAINER Note: RETAINER, RING	11	1
-	702889	LOCKNUT CAP, W/NYLON INSERT Note: LOCKNUT CAP	11	4
3	Y704758	RING, INLET	11	1
4	Y707831	CLIP Note: CLIP, COVER	11	2
5	701958	CLIP, TINNERMAN Note: CLIP, COVER	11	2
6	71001578	MOTOR, BLOWER Note: MOTOR, BLOWER	11	1
7	Y707985	WHEEL, BLOWER	11	1
8	Y707393	BAND, MOTOR	11	1
9	Y708926	ISOLATOR---S	11	3
-	707407	SCREW Note: SCREW, ISOLATOR	11	3
- N	707161	NUT Note: NUT, SCREW	11	1
10	Y707402	SCREW Note: SCREW, BAND	11	1
11	Y715957	FOAM, URETHANE	11	1
12	Y704968	COVER, MOTOR	11	1
-	Y705154	CONNECTOR	11	1
13	Y707702	LOCKNUT Note: LOCKNUT, COVER	11	4
-	Y708955	SCREW Note: SCREW, LOCKNUT	11	2
14	712311	BUSHING Note: BUSHING, CONDUIT	11	1
15	712310	TINNERMAN Note: CLAMP, CONDUIT	11	1
16	707929	FILTER, GREASE	11	1
17	Y707681	PLATE, COVER	11	1
- N	704363	CABLE, WIRE ASSEMBLY	11	1
18	Y707172	SCREW ----S Note: SCREW, CLAMP	11	2
19	Y705155	CONDUIT, METAL	11	1
-	Y707335	CLIP Note: CLIP, PUSH-ON	11	2
20	715780	CLAMP, CABLE	11	1
21	Y707688	RETAINER, FILTER	11	1
- N	712254	CLAMP, CABLE	11	5
- N	71001604	HARNESS, CIRCUIT BREAKER	11	1
-	Y715443	BREAKER, CIRCUIT	11	4

*Color Code (-)=Not Shown #=Series, Serial Prefix or Run No., N=Not Available

