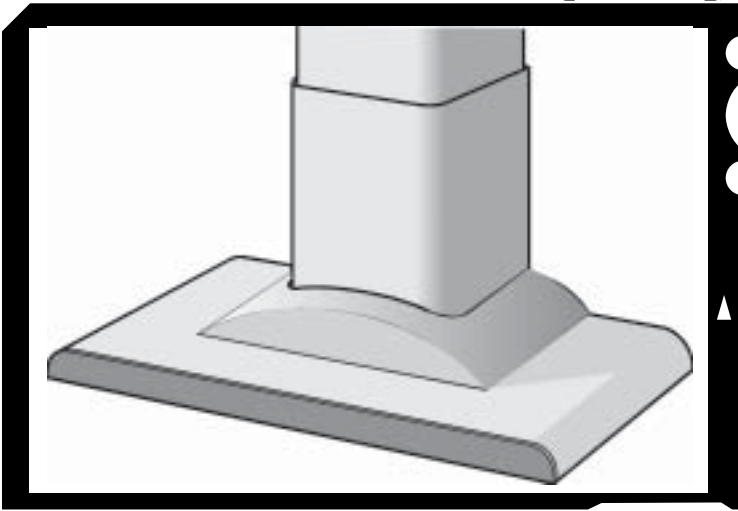


best[®]

BY BROAN



Model K7788

ENGLISH.....	3
FRANÇAIS.....	15
ESPAÑOL.....	27

READ AND SAVE THESE INSTRUCTIONS

 **INTENDED FOR DOMESTIC COOKING ONLY.** 

WARNING

TO REDUCE THE RISK OF FIRE, ELECTRICAL SHOCK, OR INJURY TO PERSONS, OBSERVE THE FOLLOWING:

1. Use this unit only in the manner intended by the manufacturer. If you have questions, contact the manufacturer at the address or telephone number listed in the warranty.
2. Before servicing or cleaning unit, switch power off at service panel and lock service panel to prevent power from being switched on accidentally. When the service disconnecting means cannot be locked, securely fasten a prominent warning device, such as a tag, to the service panel.
3. Installation work and electrical wiring must be done by a qualified person(s) in accordance with all applicable codes and standards, including fire-rated construction codes and standards.
4. Sufficient air is needed for proper combustion and exhausting of gases through the flue (chimney) of fuel burning equipment to prevent backdrafting. Follow the heating equipment manufacturer's guidelines and safety standards such as those published by the National Fire Protection Association (NFPA), and the American Society for Heating, Refrigeration and Air Conditioning Engineers (ASHRAE), and the local code authorities.
5. When cutting or drilling into wall or ceiling, do not damage electrical wiring and other hidden utilities.
6. Ducted fans must always be vented to the outdoors.
7. Do not use this unit with any solid-state speed control device.
8. To reduce the risk of fire, use only steel ductwork.
9. This unit must be grounded.

TO REDUCE THE RISK OF A RANGE TOP GREASE FIRE:

- A. Never leave surface units unattended at high settings. Boilovers cause smoking and greasy splitters that may ignite. Heat oils slowly on low or medium settings.
- B. Always turn hood ON when cooking at high heat or when cooking flaming foods.
- C. Clean ventilating fans frequently. Grease should not be allowed to accumulate on fan or filter.
- D. Use proper pan size. Always use cookware appropriate for the size of the surface element.

WARNING

TO REDUCE THE RISK OF INJURY TO PERSONS IN THE EVENT OF A RANGE TOP GREASE FIRE, OBSERVE THE FOLLOWING:*

1. **SMOTHER FLAMES** with a close-fitting lid, cookie sheet, or metal tray, then turn off the burner. **BE CAREFUL TO PREVENT BURNS.** If the flames do not go out immediately, **EVACUATE AND CALL THE FIRE DEPARTMENT.**
2. **NEVER PICK UP A FLAMING PAN** - You may be burned.
3. **DO NOT USE WATER**, including wet dishcloths or towels - violent steam explosion will result.
4. Use an extinguisher **ONLY** if:
 - A. You know you have a Class ABC extinguisher and you already know how to operate it.
 - B. The fire is small and contained in the area where it started.
 - C. The fire department is being called.
 - D. You can fight the fire with your back to an exit.

* Based on "Kitchen Fire Safety Tips" published by NFPA.

CAUTION

1. To reduce risk of fire and to properly exhaust air, be sure to duct air outside. Do not vent exhaust air into spaces within walls or ceilings or into attics, crawl spaces, or garages.
2. Take care when using cleaning agents or detergents.
3. Avoid using food products that produce flames under the Range Hood.
4. For general ventilating use only. Do not use to exhaust hazardous or explosive materials and vapors.
5. To avoid motor bearing damage and noisy and/or unbalanced impellers, keep drywall spray, construction dust, etc. off power unit.
6. Your hood motor has a thermal overload which will automatically shut off the motor if it becomes overheated. The motor will restart when it cools down. If the motor continues to shut off and restart, have the hood serviced.
7. For best capture of cooking impurities, the bottom of the hood should be a minimum of 24" and a maximum of 30" above the cooking surface. See "Install Mounting Bracket" section for mounting restrictions.
8. Two installers are recommended because of the large size and weight of this hood.
9. This product is equipped with a thermostat which may start blower automatically. To reduce the risk of injury and to prevent power from being switched on accidentally, switch power off at service panel and lock or tag service panel.
10. Use with approved cord-connection kit only.
11. Please read specification label on product for further information and requirements.

OPERATION

Controls

The hood is operated using the (4) push-buttons located at eye-level, on the front edge of the hood.

The **light switch** turns the halogen lights on and off. Push the light switch once to turn the lights ON - push a second time to turn the lights ON to a brighter level - push a third time to turn the lights OFF.

The **timer switch** turns the blower timer on and off. Push this switch once to turn the timer ON. With the blower timer turned ON, the speed that was selected will blink in the display; if the speed selection is changed the blower timer will remain ON; the blower will shut OFF after 10 minutes.

The **display** indicates:

- indicates the selected motor speed (from 1 to 4);
- indicates Timer On when the number blinks;
- indicates Filter Alarm when the central segments is on or blinking.

The **blower switch** turns the blower on and off. Push the switch once to turn the blower ON (turns on to last speed selected). Pushing the switch sequentially selects blower speeds from 1 to 4. To turn OFF the blower, push and hold the blower switch for approximately 2 seconds.

The **reset switch** resets the grease filter or charcoal filter alarm. The grease filter must be cleaned when the center segment of the display lights up continuously or blinks. The filter alarm will be seen in the DISPLAY for approximately 30 seconds after the blower is turned off. To reset the hour counter, keep the switch pressed for 2 seconds when the alarm can be seen in the DISPLAY.

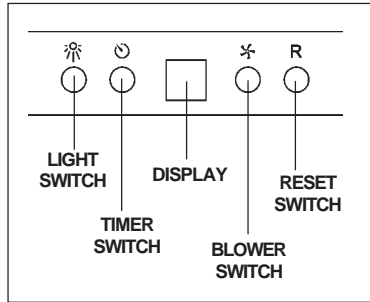
HEAT SENTRY™

Your hood is equipped with a HEAT SENTRY™ thermostat. This thermostat is a device that will turn on or speed up the blower if it senses excessive heat above the cooking surface.

- 1) If blower is OFF - it turns blower ON to HIGH speed.
 - 2) If blower is ON at a lower speed setting - it turns blower up to HIGH speed.
- When the temperature level drops to normal, the blower will return to its original setting.

WARNING

The HEAT SENTRY thermostat can start the blower even if the hood is turned OFF. When this occurs, it is impossible to turn the blower OFF with its switch. If you must stop the blower, do it from the main electrical panel.



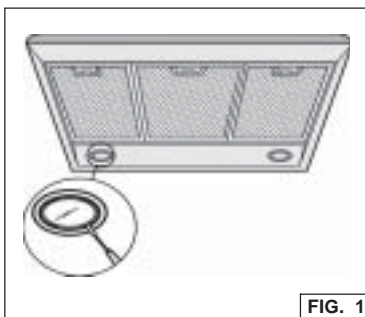
HALOGEN BULBS

This range hood requires two halogen bulbs (Type T4, 12V, 20W).

ALWAYS SWITCH OFF THE ELECTRICAL SUPPLY BEFORE CARRYING OUT ANY OPERATIONS ON THE APPLIANCE.

To change bulbs:

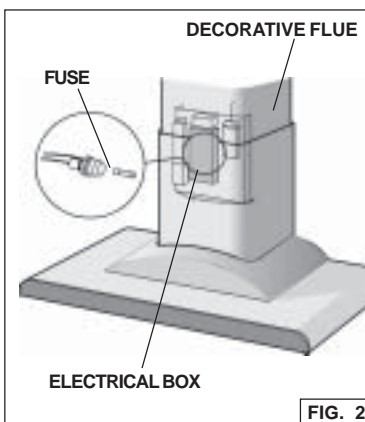
1. Open the cover by prying from the proper slots. - **DO NOT ROTATE. CAUTION: BULB MAY BE HOT!** Fig. 1
2. Replace with a Type T4, 12V, 20W bulb. Do not touch replacement bulb with bare hands!



FUSE REPLACEMENT

IF LIGHTS FAIL TO OPERATE, DISCONNECT THE POWER AT THE SERVICE ENTRANCE. CHECK THE FUSE AND REPLACE IF NECESSARY.

1. Remove the decorative flue. Fig. 2
2. Remove the cover from the large electrical wiring box.
3. Locate the fuse holder. Unscrew its cap and remove the fuse.
4. Replace the fuse with the same size and amperage (5x20mm, 4amp, 125volt).
5. Reinstall the electrical box cover and decorative flue.
6. Reconnect power at the service entrance.

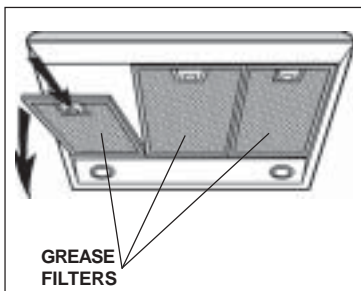


MAINTENANCE

Proper maintenance of the Range Hood will assure proper performance of the unit.

Grease Filters

Grease filters should be cleaned when the light switch flashes or remains lit when the blower is off (i.e. 30 hours of operation). Use a warm detergent solution to clean filters. Filters are dishwasher safe. See page 14 for filter removal and installation instructions.



Non-ducted Recirculation Filter

The **non-ducted recirculation filter** should be changed when the light switch flashes or remains lit when the blower is off (i.e. 120 hours of operation). See page 14 for filter removal and installation instructions.

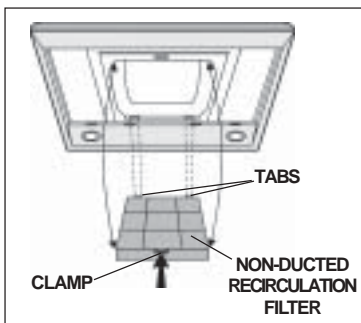
Hood Cleaning

Stainless steel is one of the easiest materials to keep clean. Occasional care will help preserve its fine appearance.

Cleaning tips:

- Hot water with soap or detergent is all that is usually needed.
- Follow all cleaning by rinsing with clear water. Wipe dry with a clean, soft cloth to avoid water marks.
- For discolorations or deposits that persist, use a non-scratching household cleanser or stainless steel polishing powder with a little water and a soft cloth.
- For stubborn cases, use a plastic scouring pad or soft bristle brush together with cleanser and water. Rub lightly in direction of polishing lines or "grain" of the stainless finish. Avoid using too much pressure which may mar the surface.
- **DO NOT** allow deposits to remain for long periods of time.
- **DO NOT** use ordinary steel wool or steel brushes. Small bits of steel may adhere to the surface causing rust.
- **DO NOT** allow salt solutions, disinfectants, bleaches, or cleaning compounds to remain in contact with stainless steel for extended periods. Many of these compounds contain chemicals which may be harmful. Rinse with water after exposure and wipe dry with a clean cloth.

Painted surfaces should be cleaned with warm water and mild detergent only.

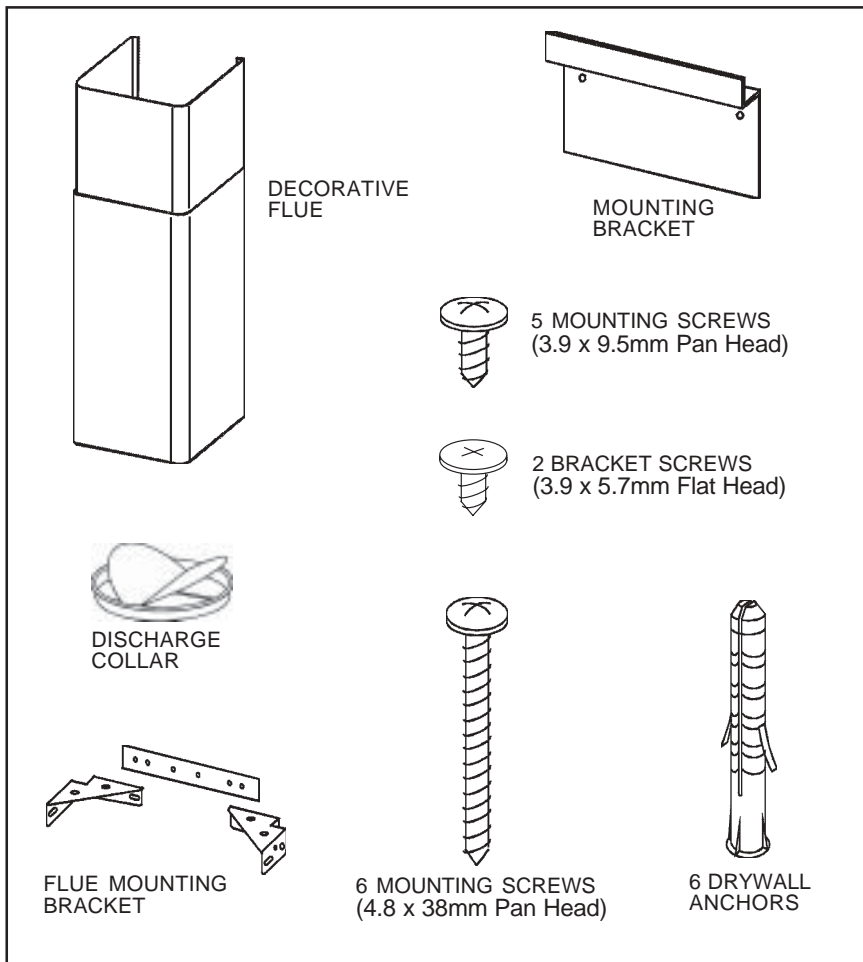


PREPARE THE HOOD

Unpack hood and check contents.

You should receive:

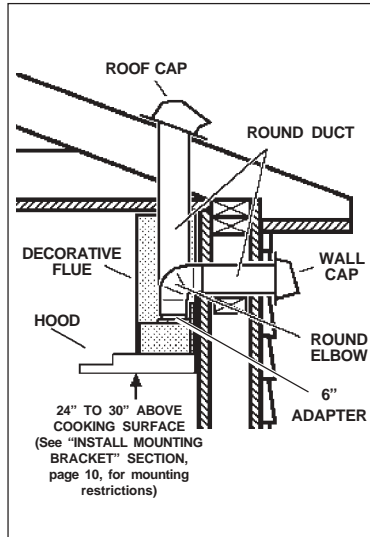
- 1 - Hood
- 1 - Decorative Flue Assembly
- 1 - Parts Bag containing:
 - 1 - Mounting Bracket
 - 1 - Discharge Collar
 - 1 - Flue Mounting Bracket
 - 6 - Mounting Screws (4.8 x 38mm Pan Head)
 - 5 - Mounting Screws (3.9 x 9.5mm Pan Head)
 - 2 - Bracket Screws (3.9 x 5.7mm Flat Head)
 - 6 - Drywall Anchors
- 1 - Installation Instructions
- 1 - Warranty Card



INSTALL THE DUCTWORK (DUCTED HOODS ONLY)

NOTE: To reduce the risk of fire, use only metal ductwork.

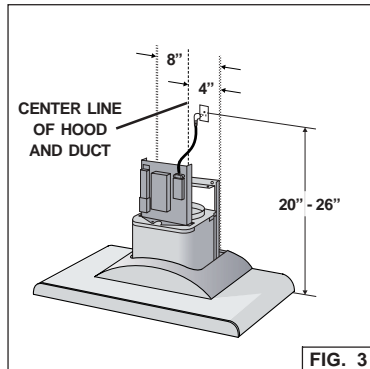
1. Decide where the ductwork will run between the hood and the outside.
2. A straight, short duct run will allow the hood to perform most efficiently.
3. Long duct runs, elbows, and transitions will reduce the performance of the hood. Use as few of them as possible. Larger ducting may be required for best performance with longer duct runs.
4. Install a roof or wall cap. Connect round metal ductwork to cap and work back towards hood location. Use duct tape to seal the joints between ductwork sections.



INSTALL ELECTRICAL

⚡ WARNING: Electrical wiring must be done by a qualified person(s) in accordance with all applicable codes and standards. This range hood must be properly grounded. Turn off electrical power at service entrance before wiring.

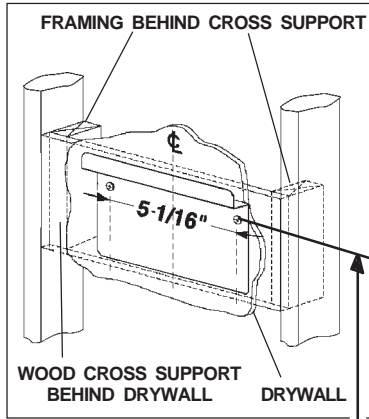
1. Plan where the hood will be located above the cook top. Refer to the INSTALL MOUNTING BRACKET section for hood mounting height options.
2. Install a standard 2" x 4" wall outlet box and 3-blade 125 Volt, 15Amp grounded receptacle.
3. Mount the receptacle 20" to 26" above the bottom of the hood Fig. 3
4. Locate the receptacle within boundary shown and off center of the ductwork (to allow for power cord plug and flue clearance). Fig. 3



INSTALL MOUNTING BRACKET

(DUCTED OR NON-DUCTED HOODS)

- Construct wood wall **framing** that is flush with interior surface of wall studs.
Make sure:
 - the framing is centered over installation location.
 - the height of the framing will allow the **mounting bracket** to be secured to the framing within the dimensions shown.
- After wall surface is finished, secure mounting bracket to framing using dimensions shown.



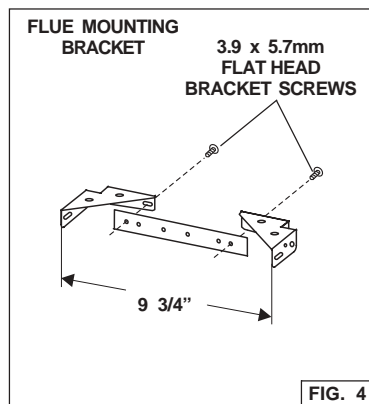
CEILING HEIGHT	DUCT METHOD	HOOD DISTANCE ABOVE 36" HIGH COOK TOP (SEE NOTE BELOW)						
		24"	25"	26"	27"	28"	29"	30"
MOUNTING BRACKET LOCATION ABOVE 36" HIGH COOK TOP								
8 FEET	DUCTED	37-7/8"	38-7/8"	39-7/8"	40-7/8"	41-7/8"	42-7/8"	
	NON DUCTED	37-7/8"	38-7/8"	39-7/8"	40-7/8"	41-7/8"		
9 FEET	DUCTED OR NON DUCTED		38-7/8"	39-7/8"	40-7/8"	41-7/8"	42-7/8"	43-7/8"
10 FEET	DUCTED WITH FEYTK788	37-7/8"	38-7/8"	39-7/8"	40-7/8"	41-7/8"	42-7/8"	43-7/8"

Note: minimum hood distance above cook top must not be less than 24". A maximum of 30" above cook top is highly recommended for best capture of cooking impurities. Distances over 30" are at the installer and users discretion; and if ceiling height and flue length permit.

INSTALL FLUE MOUNTING BRACKET

DUCTED AND NON-DUCTED

- Assemble the flue mounting bracket, adjusting outside width as shown. Fig.4
- Carefully** center the mounting bracket directly over the range hood location.
- Secure the bracket assembly to the ceiling using (2) 4.8x38mm mounting screws and drywall anchors. Make sure the bracket is pushed into the corner, tight against the wall and centered over the hood.



PREPARE THE HOOD

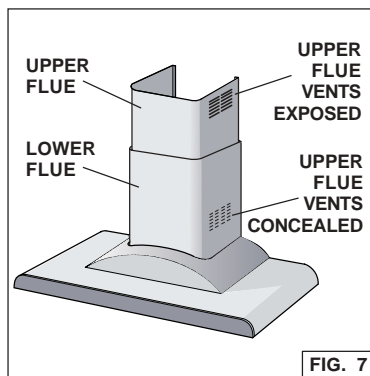
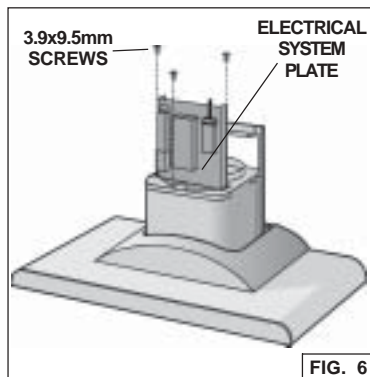
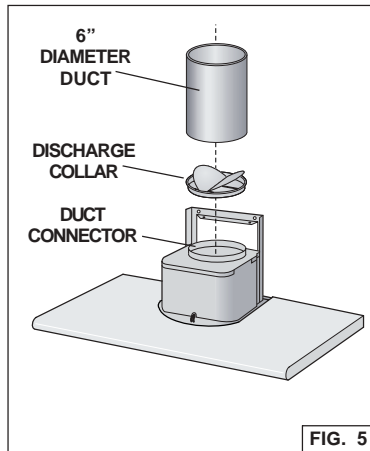
Note: On stainless steel hoods, carefully remove the plastic protective film from all exterior surfaces of the hood and decorative flues, prior to final installation.

DUCTED CONFIGURATION

1. Install the discharge collar into the duct connector of the range hood. Fig. 5
2. Attach an adequate length of 6" round steel ducting to the range hood duct connector. Fig. 5
3. Duct tape all joints to make them secure and air tight.
4. Secure the electrical system plate to the range hood with (3) mounting screws. Fig. 6
5. Carefully place the lower decorative flue into the recessed area of the range hood top. Fig. 7
6. Carefully slide the upper decorative flue down inside the lower flue. Fig. 7

Note: On 8" ceilings the air vents on the upper flue are concealed by installing the flue with air vents down.

On 9" ceilings, air vents on the upper flue will be exposed after installation.



PREPARE THE HOOD

NON - DUCTED CONFIGURATION

Note: The following materials must be purchased separately for non-ducted recirculation installations.

- Non - Ducted Recirculation Kit, Model NDK7780
- 5" diameter expandable / flexible aluminum duct.
- 1/16" diameter twist drill.

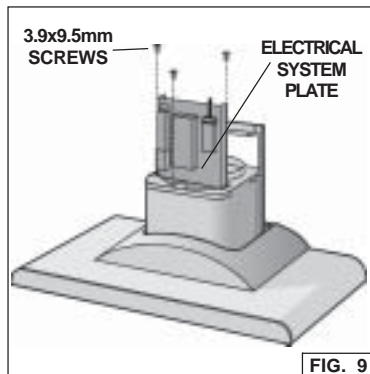
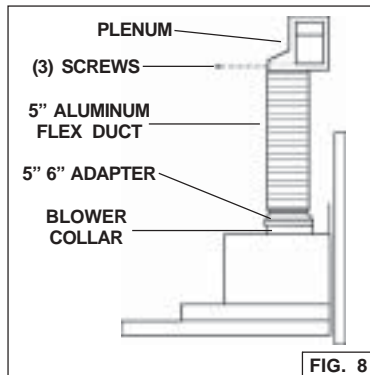
CAUTION: Do not use plastic or rigid metal ducting.

1. Determine the length of the compressed flexible aluminium ducting using the following formula:

$$34'' \text{ MINUS Distance above cook top. See page 10 for mounting height restrictions. PLUS } 12'' \text{ if ceiling height is 9-feet} = \text{Compressed length of flexible aluminium ductwork}$$

Worksheet: 34" - _____ + _____ (for 9" ceiling only) = _____

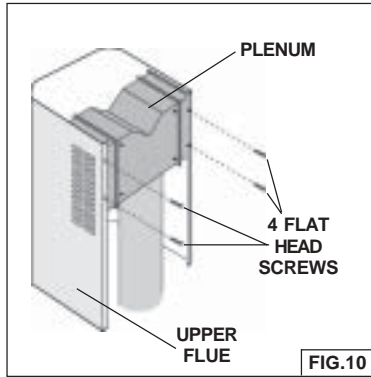
2. Discard discharge collar and damper supplied with the hood. Install the 5" to 6" adapter supplied with the Non-Ducted Recirculation Kit. Fig. 8
3. Attach aluminum flexible duct to the 5" adapter. Tape all joints with duct tape. Fig. 8
4. Assemble the recirculation plenum to the flexible duct. Fig. 8
5. Drill three (3) 1/16" diameter equally spaced holes through the duct and duct connector of the recirculation plenum. Fig. 8
6. Secure duct to the plenum's connector with (3) sheet metal screws. Tape all joints with duct tape. Fig. 8
7. Secure the electrical system plate to the range hood with (3) mounting screws. Fig. 9



PREPARE THE HOOD

NON - DUCTED CONFIGURATION, cont'd.

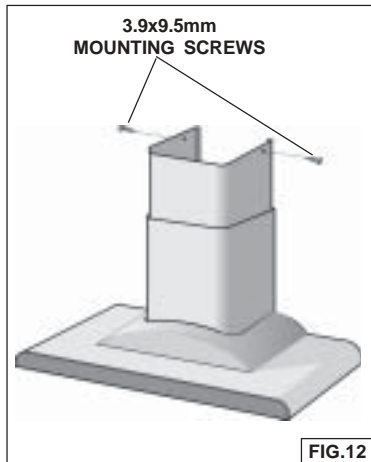
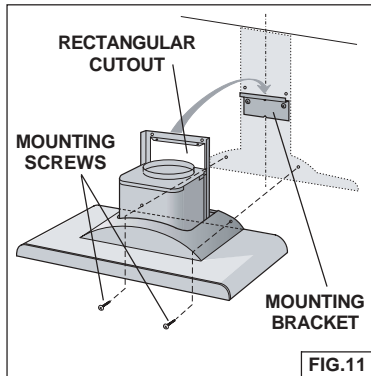
- Carefully place the lower decorative flue into the recessed area of the range hood top. Fig. 7
- Carefully slide the upper decorative flue down inside the lower flue.
Note: air vents must be up. Fig. 7
- Secure the recirculation plenum to the upper flue with (4) flat head screws. Fig. 10



INSTALL THE HOOD

Note: at least two people will be required to mount the hood.

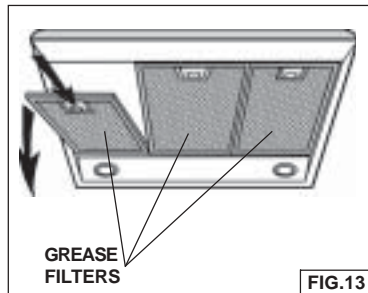
- Raise the hood into its mounting position.
- Plug the power cord into the electric wall receptacle. Tuck excess cord behind the flue.
- Align the rectangular opening on the back of the hood with the wall-mounting bracket. Gently lower the hood until it securely engages the bracket. Fig. 11
- Level the hood and secure with (2) mounting screws. Use drywall anchors provided if wall studs or framing are not available. Fig. 11
- Raise the upper flue until its holes align with holes in the flue mounting bracket (located on ceiling). Fig. 12
- Secure the flue with (2) mounting screws. Fig. 12



INSTALL FILTERS

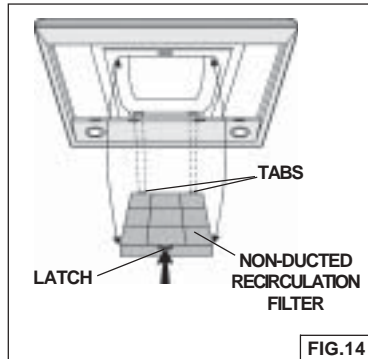
DUCTED CONFIGURATIONS

1. To remove the GREASE filter, grip the latch tab and pull it down. This will disengage the filter from the hood. Tilt the filter downward and remove. Fig. 13
2. To install the GREASE filter, align rear filter tabs with slots in the hood. Pull latch tab down, push filter into position and release. Make sure the filter is securely engaged after assembly.



NON - DUCTED CONFIGURATIONS

1. To remove the CHARCOAL filter, push-in on the front filter latch. Pull the filter down to disengage the rear filter tabs. Fig. 14
2. To install the CHARCOAL filter, align the rear filter tabs with slots in the hood. Push the filter up into place until the front latch snaps securely into its slot. Make sure the filter is securely engaged after assembly.
3. Install GREASE filter after charcoal filter is installed.



WARRANTY

BROAN ONE YEAR LIMITED WARRANTY

Broan warrants to the original consumer purchaser of its products that such products will be free from defects in materials or workmanship for a period of one year from the date of original purchase. THERE ARE NO OTHER WARRANTIES, EXPRESS OR IMPLIED, INCLUDING, BUT NOT LIMITED TO, IMPLIED WARRANTIES OR MERCHANT ABILITY OR FITNESS FOR A PARTICULAR PURPOSE.

During this one-year period, Broan will, at its option, repair or replace, without charge, any product or part which is found to be defective under normal use and service.

THIS WARRANTY DOES NOT EXTEND TO FLUORESCENT LAMP STARTERS, TUBES, HALOGEN AND INCANDESCENDT BULBS. This warranty does not cover (a) normal maintenance and service or (b) any products or parts which have been subject to misuse, negligence, accident, improper maintenance or repair (other than by Broan), faulty installation or installation contrary to recommended installation instructions.

The duration of any implied warranty is limited to the one-year period as specified for the express warranty. Some states do not allow limitation on how long an implied warranty lasts, so the above limitation may not apply to you.

BROAN'S OBLIGATION TO REPAIR OR REPLACE, AT BROAN'S OPTION, SHALL BE THE PURCHASER'S SOLE AND EXCLUSIVE REMEDY UNDER THIS WARRANTY. BROAN SHALL NOT BE LIABLE FOR INCIDENTAL, CONSEQUENTIAL OR SPECIAL DAMAGES ARISING OUT OF OR IN CONNECTION WITH PRODUCT USE OR PERFORMANCE. Some states do not allow the exclusion or limitation of incidental or consequential damages, so the above limitation or exclusion may not apply to you.

This warranty gives you specific legal rights, and you may also have other rights, which vary from state to state. This warranty supersedes all prior warranties.

To qualify for warranty service, you must (a) notify Broan at the address stated below or telephone: 1-800-637-1453, (b) give the model number and part identification and (c) describe the nature of any defect in the product or part. At the time of requesting warranty service, you must present evidence of the original purchase date.

BEST BY BROAN, P.O. Box 140 Hartford, Wisconsin 53027

LISEZ ET CONSERVEZ CES INSTRUCTIONS



SEULEMENT POUR UTILISATION DOMESTIQUE



AVERTISSEMENTS

PEUT ÊTRE UTILISÉ DANS LES ZONES CUISSON DES CUISINES FAMILIALES.

POUR REDUIRE LES RISQUES D'INCENDIE, DE DECHARGES ELECTRIQUES OU DE DOMMA-GES AUX PERSONNES, OBSERVEZ LES IN-STRUCTIONS SUIVANTES:

1. N'utilisez cet appareil que comme cela est indiqué par le constructeur. Si vous avez des problèmes, contactez le fabricant à l'adresse ou au numéro de téléphone indiqués dans la garantie.
2. Avant de pouvoir à l'entretien ou au nettoyage de votre appareil, éteignez-le au tableau des commandes ou bloquez le tableau des commandes afin d'éviter de le mettre en marche accidentellement. Si vous ne pouvez pas bloquer le système permettant d'éteindre votre appareil, appliquez un avertissement extérieur d'une façon sûre, comme par exemple un panneau, sur le tableau des commandes.
3. L'assemblage et la connexion électrique doivent être faits par des personnes qualifiées en respectant les normes et règlements en vigueur, y compris les normes et règlements concernant les possibilités d'incendie.
4. Il est indispensable qu'il y ait suffisamment d'air pour que la combustion et l'évacuation des gaz à travers le tuyau du brûleur du combustible ait lieu sans retour de flamme. Suivez les indications données par le fabricant du brûleur ainsi que les normes de sécurité comme celles qui sont publiées par l'Association Nationale pour la Protection contre les Incendies National Fire Protection Association (NFPA) et la American Society for Heating, Refrigeration and Air Conditioning Engineers (ASHRAE), et les autorités locales en matière de normes.
5. Quand vous coupez ou percez des trous dans le mur ou le plafond, n'abîmez pas les fils électriques ou autres.
6. Le ventilateur canalisé doit toujours évacuer l'air vers l'extérieur.
7. N'utilisez pas cet appareil avec un appareil contrôlant la vitesse à état solide.
8. Afin de diminuer tout risque d'incendie n'utilisez que des conduits en métal.
9. Votre appareil doit être relié à la terre.

ATTENTION - POUR REDUIRE LES RISQUES D'INCENDIE DES MATIERES GRASSES QUI SONT EN TRAIN DE CUIRE:

- A. Ne laissez jamais ni vos éléments chauffants, ni vos casseroles ou poêles sur le feu sans les contrôler si vous réglez l'apport de chaleur sur une position élevée. Si vos casseroles ou poêles débordent cela provoque de la vapeur et des éclaboussures de graisse qui peuvent prendre feu. Chauffez les huiles lentement à feu bas ou moyen.
- B. Faites toujours fonctionner votre hotte quand vous cuisez à des températures élevées ou quand vous cuisinez des plats flambés.
- C. Nettoyez régulièrement les ailes de vos ventilateurs. Ne permettez pas que la graisse s'accumule sur le ventilateur ou sur le filtre.
- D. Utilisez des casseroles de taille appropriée. Utilisez toujours des ustensiles de cuisson dont la taille est appropriée à la surface de votre élément de cuisson.



AVERTISSEMENTS

POUR REDUIRE LES RISQUES DE DOMMAGES AUX PERSONNES AU CAS OÙ VOTRE CUISI-NIERE PRENDRAIT FEU, OBSERVEZ LES INSTRUCTIONS SUIVANTES:*

1. ETEINDRE LES FLAMMES à l'aide d'un couvercle le plus hermétique possible, une plaque à gâteaux, ou un plateau en métal, puis éteindre le brûleur. ATTENTION à NE PAS VOUS BRÛLER. Si les flammes ne s'éteignent pas immédiatement, SORTEZ ET APPELEZ LES POMPIERS.
2. NE PRENEZ JAMAIS EN MAIN UNE POËLE OU UNE CASSEROLE QUI A PRIS FEU - Vous pourriez vous brûler.
3. N'UTILISEZ PAS D'EAU, ni torchons ou serviettes mouillés - vous provoqueriez une violente explosion de vapeur.
4. Utilisez un extincteur SEULEMENT si:
 - A. Vous savez que vous avez un extincteur Classe ABC, et vous en connaissez déjà le mode d'emploi.
 - B. Ce n'est pas un très gros incendie et qu'il se limite à l'endroit où il a explosé.
 - C. Vous êtes en train d'avertir les pompiers.
 - D. Vous avez la possibilité d'essayer d'éteindre l'incendie en ayant le dos tourné vers une issue.

* D'après les "Suggestions concernant la Sécurité contre les incendies des cuisines" publiées par NFPA.

ATTENTION

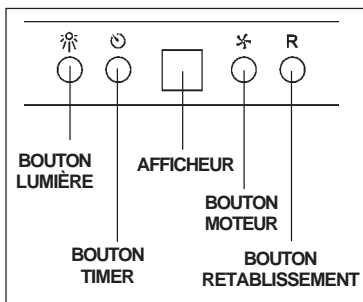
1. Pour réduire tout risque d'incendie et pour évacuer correctement l'air, assurez-vous de prévoir un conduit de ventilation extérieur. Ne videz pas l'air dans les espaces limités par des murs ou des plafonds, les combles, les passages étroits ou les garages.
2. Faites très attention quand vous utilisez des produits de nettoyage ou des détergents.
3. Évitez d'utiliser des aliments pouvant s'enflammer sous la Range Hood.
4. N'utilisez cet appareil que pour une ventilation générale. Ne l'utilisez pas pour évacuer des matières ou des vapeurs dangereuses ou qui peuvent exploser.
5. Pour éviter de causer des dommages au moteur et de rendre les rotors bruyants et/ou non équilibrés, évitez que les sprays pour murs secs, la poussière de construction entrent en contact avec la partie électrique.
6. Le moteur de votre hotte a un thermostat qui éteindra automatiquement le moteur s'il est surchauffé. Le moteur se remettra en marche lorsqu'il se sera refroidi. Si le moteur continue à s'éteindre et à se remettre en marche, faites vérifier votre hotte.
7. Pour mieux capturer les impuretés de cuisine, le bas de votre hotte devrait être à une distance minimum de 24" et à une distance maximum de 30" au-dessus du plan de cuisson. Reportez-vous à la rubrique "Installation du support de fixation" pour connaître les restrictions concernant le montage.
8. Vu que cette hotte est grande et lourde, il est recommandé de confier l'installation de cette hotte à deux personnes.
9. Ce produit est doté d'un thermostat qui peut faire démarrer automatiquement le ventilateur. Pour réduire les risques de blessures, coupez l'alimentation en courant au niveau du panneau d'électricité et verrouillez-le de manière à éviter que le ventilateur ne se mette automatiquement en marche.
10. Utilisez uniquement un ensemble homologué de câbles de connexion.
11. Nous vous recommandons de lire l'étiquette indiquant les caractéristiques de votre hotte pour de plus amples informations et exigences.

FONCTIONNEMENT

Commandes

Votre hotte fonctionne grâce à (4) boutons sur lesquels vous devez appuyer et qui se trouvent à la hauteur de vos yeux, sur le bord antérieur de votre hotte.

Le **bouton de la lumière** allume et éteint les lampes halogènes. En pressant 1 fois la touche, la lumière s'allume au 1^{er} niveau; en pressant 2 fois la touche, la lumière du 2^{ème} niveau s'allume (éclairage plus intense); en pressant encore une fois la touche, la lumière s'éteint.



Le **bouton TIMER** active/désactive le TIMER : en appuyant 1 fois on active le timer, si bien qu'au bout de 10 minutes le moteur s'arrête (en même temps, le numéro de la vitesse sélectionnée clignote sur l'afficheur) ; le timer reste activé si l'on change la vitesse du moteur.

Le **afficheur** indique:

- indique la vitesse sélectionnée du moteur (de 1 à 4) ;
- indique l'activation du Timer lorsque le numéro clignote ;
- indique l'alarme des filtres lorsque le segment central s'allume ou clignote.

Le **bouton moteur** met le moteur en marche (à la dernière vitesse utilisée). En appuyant de nouveau sur le bouton, on sélectionne la vitesse du moteur de 1 à 4 en séquence. Si l'on continue d'appuyer sur la touche pendant 2 secondes environ, le moteur s'arrête.

Bouton retablisement : rétablissement des filtres anti-graisse et des filtres à charbon. Lorsqu'on visualise l'alarme des filtres (c'est-à-dire que le segment central s'allume sur l'afficheur), il faut nettoyer les filtres anti-graisse (après 30 heures de fonctionnement). Par contre, si le segment central clignote, il faut nettoyer les filtres anti-graisse et remplacer les filtres à charbon (après 120 heures de fonctionnement). Il est clair que si votre hotte n'est pas une hotte version recyclant l'air, qu'elle n'a donc pas de filtres à charbon, il suffit de nettoyer les filtres anti-graisse, que le segment central reste allumé ou qu'il clignote. L'alarme des filtres apparaît lorsque le moteur est éteint et il est visible pendant environ 30". Pour faire repartir le compte des heures, appuyer sur la touche pendant 2 secondes lorsque l'alarme est visible.

HEAT SENTRY^{MC}

Votre hotte est munie d'un thermostat HEAT SENTRY^{MC}. Ce thermostat est un dispositif qui actionnera ou augmentera la vitesse du ventilateur s'il détecte une chaleur excessive au-dessus de la surface de cuisson.

- 1) Si le ventilateur n'est pas en marche - il actionnera le ventilateur en haute vitesse.
- 2) Si le ventilateur fonctionne en basse vitesse - le ventilateur tournera en haute vitesse.

Lorsque la température revient à la normale, le ventilateur retourne à sa vitesse d'origine.

AVERTISSEMENT

Le thermostat HEAT SENTRY^{MC} peut actionner la hotte même si la hotte est arrêtée. Si tel est le cas, il est impossible de l'arrêter avec l'interrupteur. Si vous devez arrêter le ventilateur, faites-le à partir du panneau électrique principal.

LAMPES HALOGÈNES

La hotte doit être équipée de deux lampes halogènes (de type T4, 12 V, 20 W).

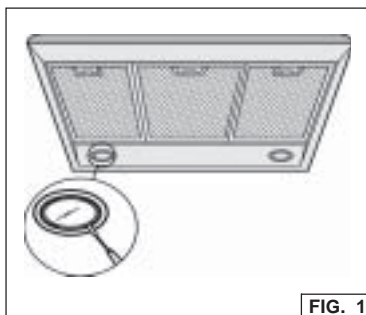
DÉCONNECTEZ TOUJOURS L'ALIMENTATION ÉLECTRIQUE AVANT DE MANIPULER LA HOTTE.

Pour changer les lampes :

1. Ouvrez le couvercle en faisant levier dans les fentes. - NE FAITES PAS PIVOTER LE COUVERCLE.

ATTENTION: LA LAMPE PEUT ÊTRE CHAUDE ! Fig. 1.

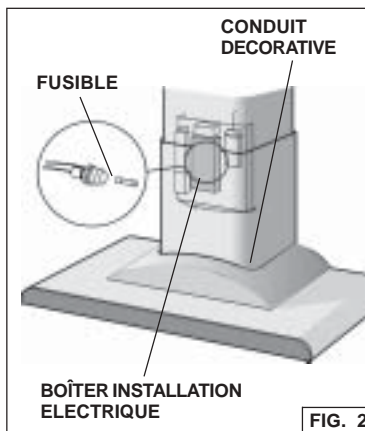
2. Remplacez la lampe par une lampe de type T4, 12 V, 20 W. Ne touchez pas l'ampoule neuve les mains nues !



REMPACEMENT DU FUSIBLE

SI LES LAMPES NE FONCTIONNENT PAS DÉCONNECTEZ L'ALIMENTATION ÉLECTRIQUE AU POINT D'ORIGINE DE L'INSTALLATION ÉLECTRIQUE. VÉRIFIEZ QUE LE FUSIBLE EST EN BON ÉTAT ET REMPLACEZ-LE SI CELA EST NÉCESSAIRE.

1. Retirez le carneau décoratif. Fig. 2.
2. Retirez le couvercle de la boîte de connexions électriques.
3. Localisez l'attache du fusible. Dévissez sa calotte et retirez le fusible.
4. Installez un fusible de la même taille et de la même intensité (5x20 mm, 4 A, 125 V).
5. Remettez le couvercle de la boîte de connexions et le carneau décoratif en place.
6. Reconnectez l'alimentation électrique au point d'origine de l'installation électrique.



ENTRETIEN

Pour un fonctionnement correct de la hotte, procédez régulièrement à son entretien.

Filtres à graisses

Vous devez nettoyer les **filtres à graisse** lorsque le voyant clignote ou reste allumé alors que le ventilateur est éteint (après 30 heures de fonctionnement). Pour nettoyer les filtres, utilisez une solution détergente tiède.

Les filtres peuvent être nettoyés au lave-vaisselle. Pour des instructions relatives à l'installation et la désinstallation des filtres, consultez la page 26.

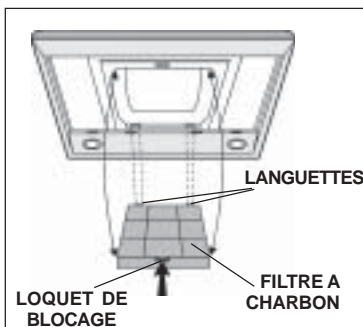
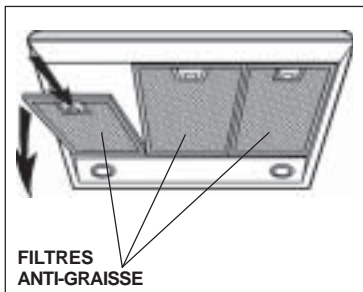
Filtre de recirculation non-caréné

Vous devez nettoyer le **filtre de recirculation non-caréné** lorsque le voyant clignote ou reste allumé alors que le ventilateur est éteint (après 120 heures de fonctionnement). Pour des instructions relatives à l'installation et la désinstallation des filtres, consultez la page 26.

Nettoyage de la hotte

L'acier inoxydable est l'un des matériaux les plus faciles à nettoyer. Pour préserver son aspect brillant, procédez de temps en temps à un nettoyage supplémentaire. Conseils de nettoyage :

- Il est généralement nécessaire d'utiliser de l'eau chaude et du savon ou un détergent.
 - Après le nettoyage, rincez à l'eau claire. Pour éviter les traces laissées par l'eau, séchez la hotte avec un chiffon propre et doux.
 - En cas de décoloration ou de dépôts persistants, utilisez un produit d'entretien ménager ne rayant pas ou une poudre abrasive en acier inoxydable avec une petite quantité d'eau et un chiffon doux.
 - Si le problème persiste, utilisez une éponge à récurer en plastique ou une brosse en soie de porc avec un produit nettoyant et de l'eau. Passez doucement en direction des marques de polissage ou des "grains" de la couche en acier inoxydable. Évitez d'appuyer trop fort pour ne pas rayer la surface.
 - **NE** laissez **PAS** les dépôts s'accumuler pendant trop longtemps.
 - **N'**utilisez **PAS** de paille de fer ni de brosse en acier ordinaire. De petites particules d'acier peuvent se déposer sur la surface et former de la rouille.
 - **Ne** laissez **PAS** les solutions salées, les désinfectants, l'eau de Javel ou les décapants se déposer pendant trop longtemps sur l'acier inoxydable. En effet, la plupart de ces produits contiennent des agents chimiques pouvant endommager l'acier. Après le nettoyage, rincez avec de l'eau, puis séchez à l'aide d'un chiffon propre.
- Pour les surfaces peintes, utilisez uniquement de l'eau tiède et un détergent doux.

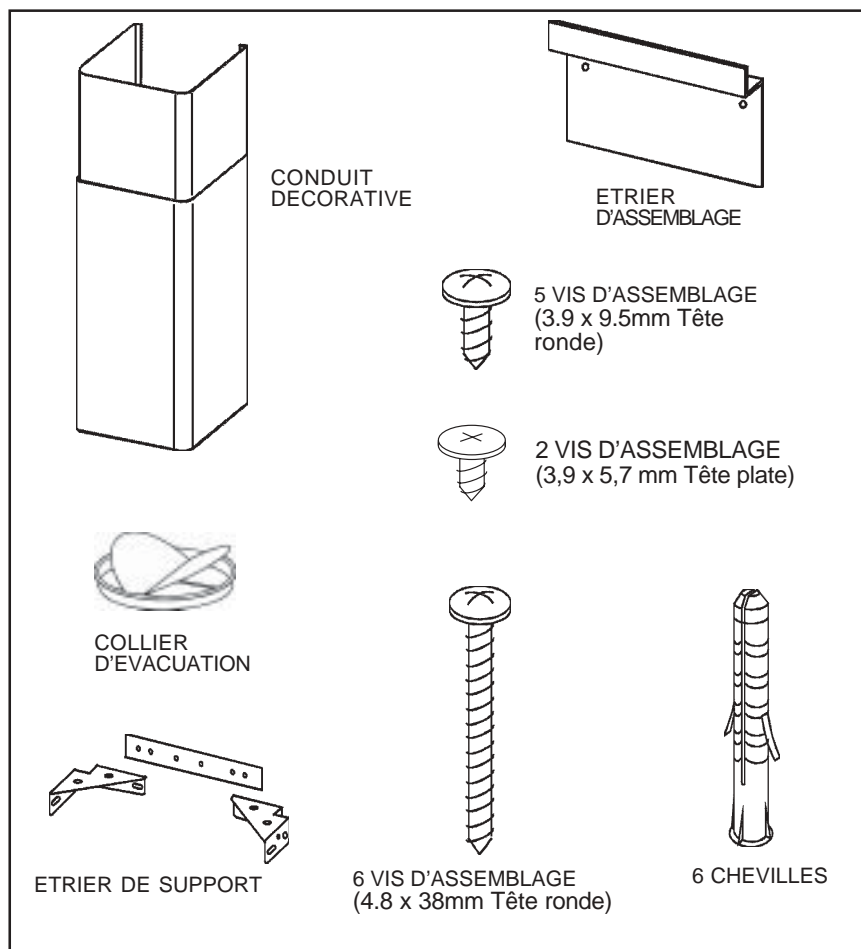


PREPAREZ LA HOTTE

Enlever la hotte dans l'emballage et contrôler le contenu.

Vous devez recevoir :

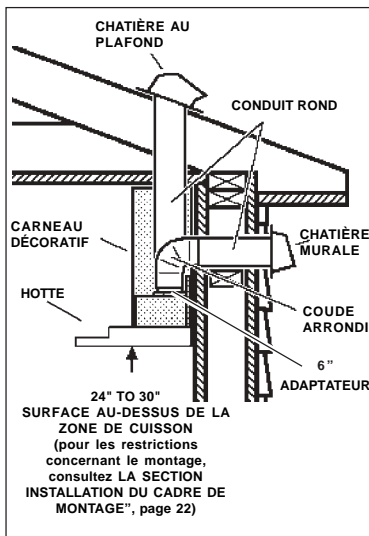
- 1 - Hotte
- 1 - Conduit décoratif
- 1 - Sachet avec:
 - 1 - Étrier d'assemblage
 - 1 - Collier d'évacuation
 - 1 - Étrier de support
 - 6 - Vis d'assemblage (4.8 x 38mm Tête ronde)
 - 5 - Vis d'assemblage (3.9 x 9.5mm Tête ronde)
 - 2 - Vis d'assemblage (3,9 x 5,7 mm Tête plate)
 - 6 - Chevilles
- 1 - Instructions pour l'installation
- 1 - Garantie



INSTALLATION DES CONDUITS (UNIQUEMENT POUR LES HOTTES CARÉNÉES)

REMARQUE : pour réduire les risques d'incendie, utilisez uniquement des conduits métalliques.

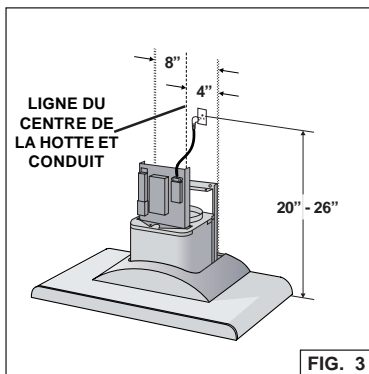
1. Choisissez l'endroit où passera le conduit pour relier la hotte à l'extérieur.
2. Un conduit court et droit permet un meilleur rendement de la hotte.
3. En revanche, les longs conduits formant des coudes et plusieurs sections réduisent ses performances. Utilisez le nombre le plus réduit possible de conduits. Il peut être nécessaire d'utiliser des conduits plus larges pour améliorer le rendement des conduits longs.
4. Installez une chatière au plafond ou sur le mur. Reliez le conduit en métal à la chatière et déroulez la gaine jusqu'à l'emplacement de la hotte. À l'aide du ruban du conduit, reliez les différentes sections du conduit.



INSTALLATION ÉLECTRIQUE

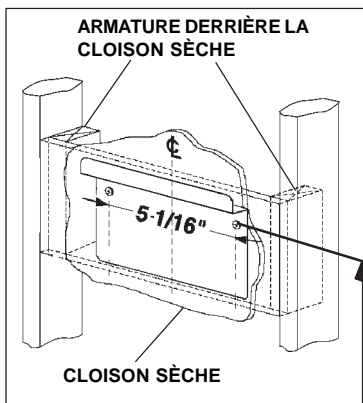
AVERTISSEMENT : le câblage électrique doit être effectué par une ou plus personne(s) qualifiée(s) et conformément à tous les codes et à toutes les normes en vigueur. La hotte doit être correctement reliée à la terre. Mettez l'alimentation électrique hors tension avant de procéder au câblage.

1. Décidez de l'endroit où sera située la hotte au-dessus du plan de cuisson. Pour connaître les options de hauteur pour le montage de la hotte, consultez la section INSTALLATION DES CADRES DE MONTAGE.
2. Installez un coffret de prise de courant murale de 2" x 4" et un réceptacle à 3 broches relié à la terre, et de 125 V et 15A. Fig. 3.
3. Montez le réceptacle de 20" to 26" au-dessus de la partie inférieure de la hotte (fig. 4). Localisez le réceptacle dans les limites indiquées, avec le conduit au centre (pour permettre le branchement du cordon d'alimentation et l'aération du conduit). Fig. 3.



INSTALLATION DU SUPPORT DE FIXATION (HOTTES CARÉNÉES OU NON CARÉNÉES)

1. Construisez une **armature** murale en bois affleurée avec une surface intérieure de poteaux de cloison. Assurez-vous que :
 - a) l'armature est centrée au-dessus du futur emplacement de la hotte ;
 - b) la hauteur de l'armature permettra d'y fixer le **support de fixation** en respectant les dimensions indiquées.



2. Une fois la surface murale terminée, fixez le support de fixation à l'armature à l'aide des dimensions indiquées.

HAUTEUR DU PLAFOND	MÉTHODE D'INSTALLATION DES CONDUITS	ESPACEMENT ENTRE LA HOTTE ET LE PLAN DE CUISSON DE 36\"/>						
		24\"/>						
EMPLACEMENT DU SUPPORT DE FIXATION AU-DESSUS DU PLAN DE CUISSON DE 36\"/>								
2,5 CM	CARÉNÉE	37-7/8\"/>						
	NON CARÉNÉE	37-7/8\"/>						
2,8 CM	CARÉNÉE OU NON CARÉNÉE		38-7/8\"/>					
			39-7/8\"/>					
3 CM	CARÉNÉE AVEC FEXTK7788	37-7/8\"/>						
		38-7/8\"/>						

Remarque : la distance minimum au-dessus du plan de cuisson doit être supérieure à 24". Pour que la hotte puisse mieux aspirer les impuretés, il est recommandé de prévoir une distance maximum de 30" au-dessus du plan de cuisson. L'installateur et l'utilisateur peuvent décider d'installer la hotte à une distance supérieure à 30", si la hauteur du plafond et la longueur du conduit le permettent.

INSTALLATION DU SUPPORT DE FIXATION DU CARNEAU

CARÉNÉ ET NON CARÉNÉ

1. Assemblez le support de fixation du carneau en réglant la largeur extérieure comme indiqué. Fig. 4.
2. Centrez **soigneusement** le support de fixation directement sur l'emplacement destiné à la hotte.
3. Fixez l'assemblage du support au plafond au moyen de deux (2) vis de montage de 4,8 x 38 mm et d'ancres murales. Vérifiez que le support est enfoncé dans le mur adjacent et qu'il est centré au-dessus de la hotte.

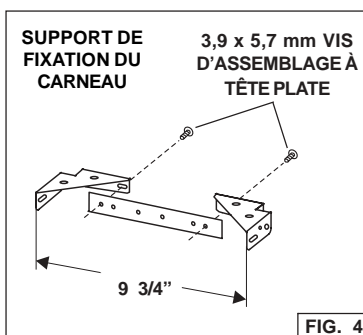


FIG. 4

PREPARE THE HOOD

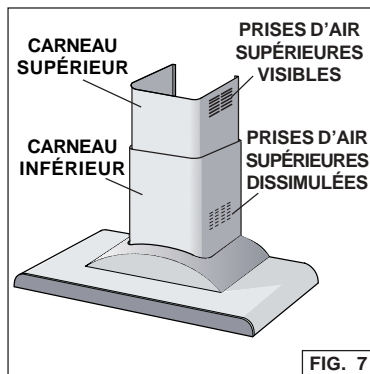
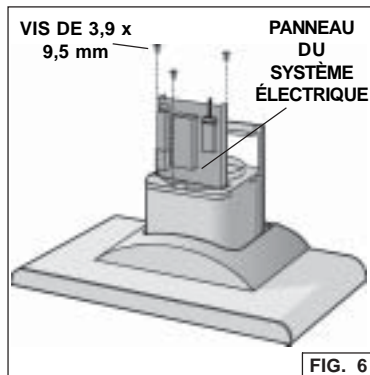
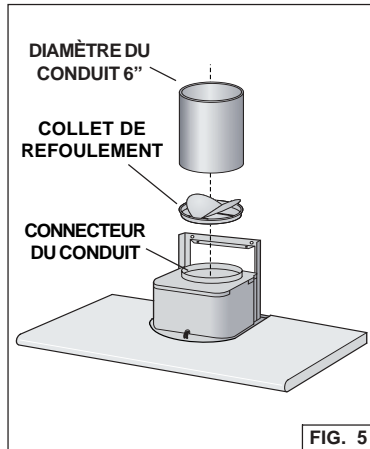
Remarque : si la hotte est en acier inoxydable, retirez précautionneusement le film protecteur des surfaces extérieures et des carnaux décoratifs avant de terminer l'installation.

CONFIGURATION CARÉNÉE

1. Installez le collet de refoulement dans le conduit relié à la hotte (fig. 5).
2. Attachez un conduit arrondi en acier d'une longueur de 6" au connecteur du conduit de la hotte (fig. 5).
3. Reliez toutes les sections pour empêcher le passage de l'air.
4. Fixez le panneau du système électrique à la hotte au moyen de trois (3) vis de montage (fig. 6).
5. Placez précautionneusement le carneau décoratif inférieur dans la partie de la hotte en retrait (fig. 7).
6. Faites glisser lentement le carneau décoratif à l'intérieur du conduit inférieur (fig. 7).

Remarque : lorsque le plafond est de 8", les prises d'air du conduit supérieur sont dissimulées par le conduit disposant de prises d'air vers le bas.

Sur les plafonds de 9", les prises d'air du conduit supérieur seront visibles une fois installées.



PRÉPARATION DE LA HOTTE

CONFIGURATION NON CARÉNÉE

Note: The following materials must be purchased separately for non-ducted recirculation installations.

- Kit de recirculation non caréné, modèle NDK7780
- Conduit en aluminium flexible / expansible de 5" de diamètre
- Foret hélicoïdal de 1/16" de diamètre

ATTENTION : n'utilisez pas de conduits en plastique ou en métal rigide.

1. Déterminez la longueur sous charge de fonctionnement des conduits flexibles en aluminium à l'aide de la formule suivante :

34" MOINS Dessus du plan de cuisson (pour connaître les restrictions de la hauteur de montage, consultez la page 22). PLUS 12" si la hauteur du plafond est de 2,8 cm = Longueur sous charge de fonctionnement du conduit flexible en aluminium

Fiche technique 34" - _____ + _____ (uniquement pour les plafonds de 9") = _____

2. Ne comptez pas le collet de refoulement ni le registre fournis avec la hotte. Installez l'adaptateur de 5" à 6" fourni avec le kit de recirculation non caréné. (Fig. 8)

3. Fixez le conduit en aluminium flexible à l'adaptateur de 5". Obstruez toutes les sections à l'aide du ruban du conduit. (Fig. 8)

4. Assemblez l'espacement de recirculation au conduit flexible. (Fig. 8).

5. Pour créer un espacement de recirculation, percez trois (3) trous de 1/16" de diamètre et situés à égale distance les uns des autres sur le conduit et le connecteur du conduit. (Fig. 8)

6. Fixez le conduit au connecteur de l'espacement au moyen de trois (3) vis à tête. Bouchez toutes les sections à l'aide du ruban du conduit. (Fig. 8)

7. Fixez le panneau du système électrique à la hotte au moyen de trois (3) vis de montage. (Fig. 9)

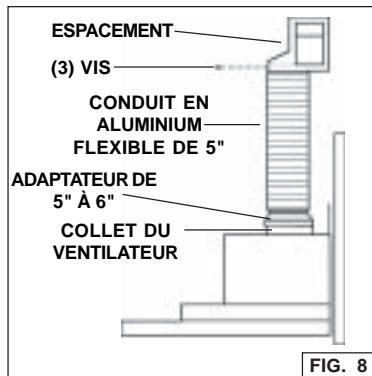


FIG. 8

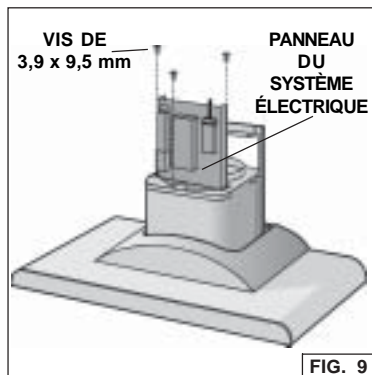


FIG. 9

PRÉPARATION DE LA HOTTE

CONFIGURATION NON CARÉNÉE (suite).

- Placez précautionneusement le carneau décoratif inférieur dans la partie de la hotte en retrait (fig. 7).
- Faites glisser lentement le carneau décoratif à l'intérieur du conduit inférieur. Remarque: les prises d'air doivent être tournées vers le haut (fig. 7).
- Fixez l'espacement de recirculation au carneau supérieur au moyen de quatre (4) vis à tête fraisée. (fig. 10).

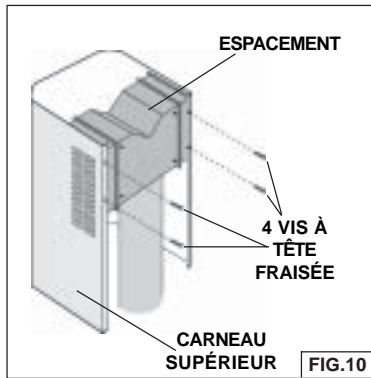


FIG.10

INSTALLATION DE LA HOTTE

Remarque : la hotte doit être installée par au moins deux personnes.

- Soulevez la hotte et placez-la à l'endroit où elle sera installée.
- Branchez le cordon d'alimentation à la prise murale. Faites passer la longueur de cordon qui dépasse derrière le carneau.
- Alignez l'ouverture rectangulaire située à l'arrière de la hotte avec le support de fixation murale. Abaissez lentement la hotte jusqu'à ce qu'elle s'emboîte avec le support (fig. 11).
- Mettez la hotte à niveau et fixez-la au moyen de deux (2) vis de montage. Si vous ne disposez pas de poteaux de cloison ni d'armature, utilisez les ancrures murales fournies (fig. 11).
- Soulevez le carneau supérieur jusqu'à ce que ses trous soient alignés avec les trous du support de fixation du carneau (situé au plafond). (fig. 12).
- Fixez le carneau au moyen de deux (2) vis de montage. (fig. 12).

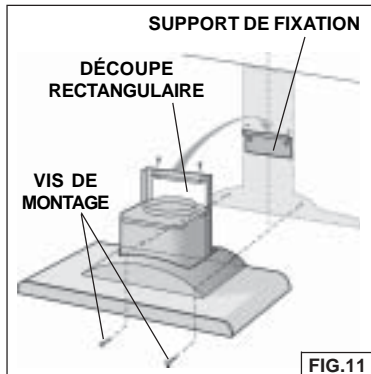


FIG.11

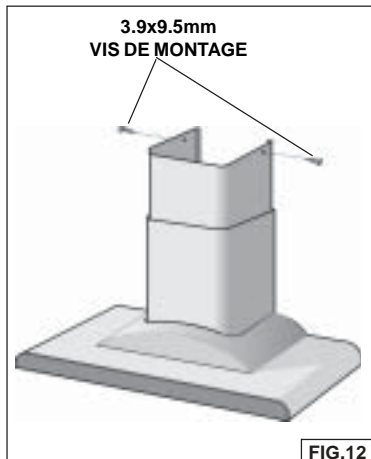


FIG.12

INSTALLATION DES FILTRES

CONFIGURATIONS CARÉNÉES

1. Pour retirer le filtre à GRAISSE, attrapez la languette du taquet et abaissez-la afin de dégager le filtre de la hotte. Inclinez le filtre vers le bas et retirez-le (fig. 13).
2. Pour remettre le filtre à graisse en place, alignez les languettes arrière du filtre avec les fentes de la hotte. Abaissez la languette vers le bas, poussez le filtre pour le remettre à sa place, puis relâchez. Vérifiez que le filtre est bien placé.

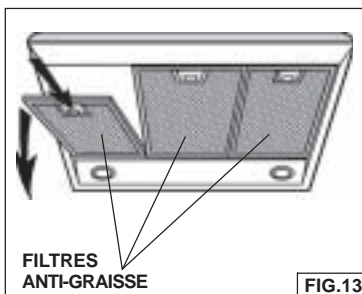


FIG.13

CONFIGURATIONS NON CARÉNÉES

1. Pour retirer le filtre à CHARBON, appuyez sur le taquet frontal du filtre. Abaissez le filtre pour dégager ses languettes arrière. Fig. 14.
2. Pour remettre le filtre à CHARBON en place, alignez les languettes arrière du filtre avec les fentes de la hotte. Poussez le filtre pour le remettre en place jusqu'à ce que le taquet frontal s'emboîte complètement dans la fente. Vérifiez que le filtre est bien placé.
3. Mettez le filtre à GRAISSE en place après avoir installé le filtre à charbon.

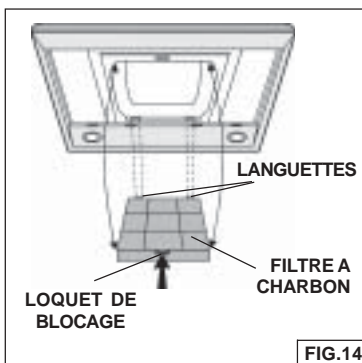


FIG.14

GARANTIE

GARANTIE BROAN LIMITÉE À UN AN

Broan garantit au consommateur-acheteur de ses produits que ces produits seront sans défauts concernant les matières employées et concernant la fabrication pendant une période d'un an à partir de la date d'achat. IL N'Y A AUCUNE AUTRE GARANTIE, EXPLICITE OU IMPLICITE, Y COMPRIS, MAIS NON PAS LIMITEE A, LES GARANTIES IMPLICITES OU CONCERNANT LA CAPACITE COMMERCIALE OU LA CONVENANCE, POUR TOUT BUT PARTICULIER. Pendant cette période d'un an, Broan réparera ou remplacera, s'il le jugera nécessaire, gratuitement, tout article ou toute pièce qui résulteront défectueux à condition qu'ils aient été utilisés et entretenus correctement.

CETTE GARANTIE NE S'ETEND PAS AUX INTERRUPTEURS DES NEON, NEON, LAMPES HALOGENES, AMPOULES d'ILLUMINATION. Cette garantie ne couvre pas (a) l'entretien normal ni (b) tout article ou toute pièce qui aient subi une utilisation erronée, une négligence, un accident, un entretien erroné ou une réparation (autre que de la part de Broan), une installation défectueuse ou bien une installation ne respectant pas les instructions d'installation recommandées.

La durée de toute garantie implicite est limitée à un an comme cela est spécifié dans la garantie explicite. Quelques états ne permettent pas de limites quant à la durée d'une garantie implicite, par conséquent la limitation indiquée ci-dessus peut ne pas vous concerner.

L'OBLIGATION DE REPARER OU DE REMPLACER DE LA PART DE BROAN SERA LE SEUL ET EXCLUSIF REMEDE DE L'ACHETEUR COUVERT PAR CETTE GARANTIE. BROAN NE SERA PAS RESPONSABLE DES DOMMAGES ACCIDENTELS, CONSEQUENTIELS OU SPECIAUX DUS A L'UTILISATION DU PRODUIT OU A SA PERFORMANCE OU EN ETANT LA CONSEQUENCE. Quelques états ne permettent pas l'exclusion ou la limitation des dommages accidentels ou consécutifs, par conséquent la limitation indiquée ci-dessus peut ne pas vous concerner. Cette garantie vous donne des droits légaux spécifiques, et vous pouvez aussi avoir d'autres droits, qui varient d'Etat à Etat. Cette garantie dépasse toute garantie précédente. Pour avoir droit à la garantie, vous devez (a) avertir la Maison Broan à l'adresse indiquée ci-dessous ou téléphoner : 1-800-637-1453, (b) donner le numéro du modèle et l'identification de la pièce défectueuse et (c) décrire la nature de tout défaut de l'article ou de la pièce. Au moment où vous demandez le service de garantie, vous devez présenter la preuve d'achat avec la date.

BEST BY BROAN, P.O. Box 140 Hartford, Wisconsin 53027

LEA Y CONSERVE ESTAS INSTRUCCIONES

 **INDICADO PARA EL USO EN COCINAS DOMESTICAS** 

  **ADVERTENCIA**

INDICADO PARA EL USO EN COCINAS DOMÉSTICAS.

PARA EVITAR EL RIESGO DE INCENDIO, CORTOCIRCUITO O DAÑO PARA LAS PERSONAS, OBSERVE ATENTAMENTE LAS SIGUIENTES NORMAS:

1. Use esta unidad solamente de la manera indicada por el fabricante; si tiene dudas, póngase en contacto con éste a la dirección o teléfono indicados en la garantía.
2. Antes de hacer una revisión o de limpiar la unidad, desconéctela de la red para evitar que se encienda de manera accidental. En el caso de que éste no pueda ser desactivado, se indicará en la placa de características.
3. El montaje y la instalación eléctrica debe hacerlos un técnico especializado siguiendo las normas estándar e incluyendo aquellas de construcción anti incendio.
4. Necesita aire suficiente para una apropiada combustión y escape de gases a través del tubo del depósito de quema de combustible. Para evitar que el humo aspirado vuelva a la cocina, siga las directivas del fabricante y las normas estándar de seguridad así como las normas publicadas por la Asociación de prevención de incendios (NFPA) y la Sociedad americana de especialistas en calefacción, refrigeración y aire acondicionado y además las normas de las autoridades locales.
5. Hacer un corte o un taladro en la pared o en el techo no debe dañar la instalación eléctrica u otras instalaciones ocultas en la pared.
6. Los conductos ventiladores deben siempre desalojar al exterior.
7. No use esta unidad con dispositivo de control de la velocidad a estado sólido.
8. Para evitar el riesgo de incendio, use solamente conductos de metal.
9. Esta unidad tiene que ser conectada a tierra.

PARA EVITAR EL RIESGO DE FUEGO POR ALTO NIVEL DE GRASA:

- A. Nunca abandone los quemadores con el fuego alto. La cocción causa humo y restos de grasa que pueden arder. Caliente el aceite a fuego medio o bajo.
- B. Encienda siempre la campana cuando cocine a fuego alto o cuando cocine alimentos fácilmente inflamables.
- C. Limpie con frecuencia los ventiladores. No se debe acumular grasa en el ventilador o en el filtro.
- D. Usa el tamaño de cazuela apropiado. Use siempre utensilios de cocina de tamaño y material adecuados.

  **ADVERTENCIA**

PARA EVITAR EL RIESGO DE DAÑOS A PERSONAS EN CASO DE FUEGO POR ALTO NIVEL DE GRASA, TENGA EN CUENTA LO SIGUIENTE:*

1. SOFOQUE LA LLAMA con una tapadera apropiada, una bandeja metálica ó un utensilio de cocina que pueda cubrirla, después, apague el quemador. ACTÚE CON PRECAUCIÓN PARA EVITAR QUEMADURAS. Si la llama no se extingue inmediatamente, SALGA Y LLAME A LOS BOMBEROS.
2. NUNCA COJA UNA SARTEN EN LLAMAS, porque corre el riesgo de quemarse.
3. NO USE AGUA ni paños o toallas húmidas porque puede provocarse una violenta humareda.
4. Use un extintor SOLAMENTE si:
 - A. Posee un extintor de clase ABC y sabe perfectamente cómo usarlo.
 - B. El fuego es pequeño y está controlado en el mismo sitio en que empezó.
 - C. Ha llamado con anterioridad a los bomberos.
 - D. Puede combatir el fuego retrocediendo hacia la salida.

* Basado en "Seguridad antifuego en la cocina" publicado por NFPA.

ADVERTENCIA

1. Para reducir el riesgo de incendios y para evacuar correctamente los humos, asegurarse de haber realizado una conducción del aire hasta el exterior. No expulsar los humos en espacios cerrados por paredes o techos, áticos, espacios angostos o garajes.
2. Prestar la máxima atención al utilizar productos de limpieza o detergentes.
3. Evitar el uso de productos alimentarios que puedan inflamarse bajo la campana.
4. Sólo para ventilación total. No use gases de escape peligrosos o materiales y vapores explosivos.
5. Para evitar daños en el funcionamiento del motor e impulsores ruidosos y/o desequilibrados, mantenga alejados de la unidad de encendido pulverizadores en seco o polvo.
6. El motor tiene un nivel de sobrecarga térmica que apaga automáticamente el motor cuando se ha recalentado excesivamente. El motor se pone de nuevo en funcionamiento cuando la temperatura baja. Si el motor comienza a encenderse y a apagarse, deberá hacer una revisión de éste.
7. Para limpiar mejor las impurezas al cocinar, la parte inferior de la campana debe estar a una temperatura mínima de 24 grados y máxima de 30 grados por debajo de la temperatura de la zona de cocción. Consulte el apartado "Instalación del soporte de montaje" para ver las restricciones de montaje.
8. Debido a su gran tamaño y peso, se recomienda su montaje por parte de 2 técnicos especializados.
9. Este producto está equipado con un termostato que puede activar el ventilador automáticamente. Para reducir el riesgo de lesión, desconecte la potencia en el panel de servicio y trábelo para evitar que ésta se prenda automáticamente.
10. Use solamente con el juego de cable de alimentación-conexiones aprobado.
11. Se recomienda leer la placa de características del producto para ulterior información.

FUNCIONAMIENTO

Mandos

La campana se pone en funcionamiento accionando los mandos situados a la altura de los ojos en el frontal de la campana.

El **interruptor luz** enciende y apaga las lámparas halógenas. Pulsando la tecla una vez, la luz se enciende a intensidad 1, pulsándolo una segunda vez, la luz se enciende a intensidad 2 (luz más intensa) y, pulsándolo otra vez más, la luz se apaga completamente.

El **interruptor del temporizador** conecta/desconecta el temporizador: si se presiona 1 vez se activa el temporizador por lo que tras 10 minutos se para el motor (al mismo tiempo en la pantalla parpadea el número de la velocidad seleccionada); el temporizador permanece activo si se cambia la velocidad del motor.

La **pantalla** indica:

- indica la velocidad seleccionada del motor (de 1 a 4);
- indica la activación del Temporizador cuando el número parpadea;
- indica la alarma de los filtros cuando el segmento central se enciende o parpadea.

El **interruptor del motor** pone en funcionamiento el motor (en la última velocidad usada). Manteniendo presionado el botón, se seleccionan las velocidades del motor de 1 a 4 de manera secuencial. Manteniendo presionado el botón durante dos segundos aproximadamente, el motor se para.

Interruptor reinicialización : reinicialización filtros antigrasa y filtros de carbón. Cuando aparece la alarma filtros (es decir cuando se enciende en la pantalla el segmento central), hay que limpiar los filtros antigrasa (quiere decir que han transcurrido 30 horas de funcionamiento). Si en cambio el segmento central parpadea, hay que limpiar los filtros antigrasa y cambiar los filtros de carbón (quiere decir que han transcurrido 120 horas de funcionamiento). Obviamente si su campana extractora no es de versión sin tubo y por consiguiente no tiene filtros al carbón, tienen solamente que limpiar los filtros antigrasa, tanto si el segmento central permanece encendido como si parpadea. La alarma de los filtros aparece solamente cuando el motor está apagado y se puede ver durante 30" aproximadamente. Para que vuelva a ponerse en funcionamiento el contador de las horas, mantenga presionado el botón 2 segundos durante la visualización de la alarma.

HEAT SENTRYMR

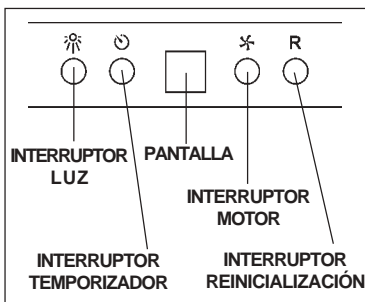
Su campana esta equipada con termostato HEAT SENTRYMR. Este termostato tiene un mecanismo que se encenderáo aceleraráel ventilador si se detecta un calor excesivo encima de la cocina.

- 1) Si el ventilador esta apagando - el se prenderá a una velocidad máxima.
- 2) Si el ventilador esta encendido a una velocidad minima - el se prenderá a una velocidad máxima.

Cuando la temperatura disminuye a un nivel normal, el ventilador vuelve a la función de origen.

AVERTENCIA

El HEAT SENTRYmr termostato puede comenzar a funcionar al igual si la campana esta parada. En este caso, es imposible parar el ventilador con los interruptores. Si usted para la campana, halago a partir del panel eléctrico principal.



HALOGEN BULBS

Esta campana de cocina requiere dos bombillas halógenas (Tipo T4, 12 V, 20 W).

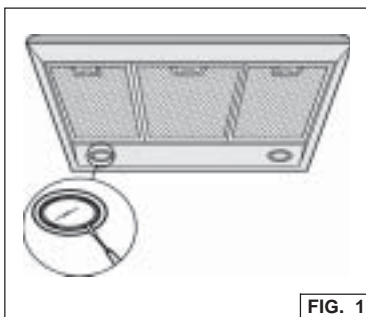
ANTES DE LLEVAR A CABO CUALQUIER OPERACIÓN EN EL APARATO, APAGUE SIEMPRE EL SUMINISTRO ELÉCTRICO.

Para cambiar las bombillas:

1. Abra la cubierta levantando las ranuras adecuadas. - NO LA GIRE.

PRECAUCIÓN: LA BOMBILLA PUEDE ESTAR CALIENTE Fig. 1

2. Cámbiela por una bombilla tipo T4, de 12 V y 20 W. No toque la bombilla de reemplazo con las manos desnudas.

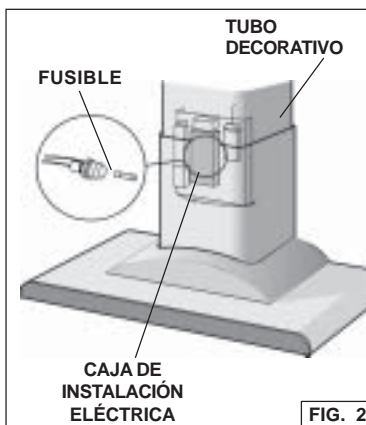


SUSTITUCIÓN DEL FUSIBLE

SI LAS LUCES NO FUNCIONAN, DESCONECTE LA ELECTRICIDAD EN LA ENTRADA DE SERVICIO.

COMPRUEBE EL FUSIBLE Y, SI FUESE NECESARIO, SUSITÚYALO.

1. Retire la salida de humos decorativa. Fig. 2
2. Retire la cubierta de la caja grande de cableado eléctrico.
3. Localice el soporte del fusible. Desatornille su tapa y retire el fusible.
4. Sustituya el fusible por otro del mismo tamaño y amperaje (5 x 20 mm, 4 amp., 125 volt.).
5. Vuelva a instalar la cubierta de la caja de instalación eléctrica y la salida de humos decorativa.
6. Vuelva a conectar la electricidad en la entrada de servicio.

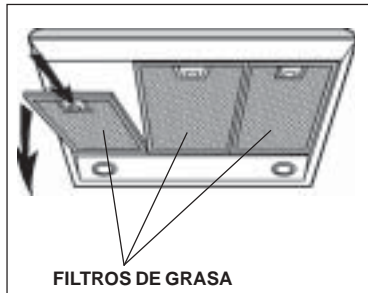


MANTENIMIENTO

Un mantenimiento correcto de la campana de cocina asegurará el buen rendimiento de la unidad.

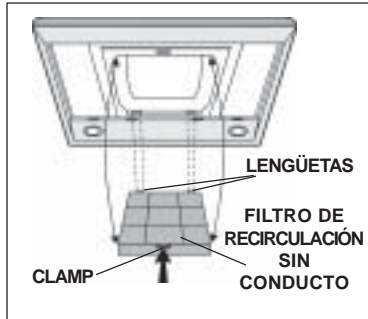
Filtros de grasa

Los **filtros de grasa** se deben limpiar cuando el conmutador luminoso parpadea o permanece encendido cuando el ventilador está apagado (por ejemplo, 30 horas de funcionamiento). Utilice un detergente templado para limpiar los filtros. Los filtros son resistentes al lavavajillas. Consulte la página 38 para obtener instrucciones sobre cómo instalar y quitar los filtros.



Filtro de recirculación sin conducto

El **filtro de recirculación sin conducto** se debe cambiar cuando el conmutador luminoso parpadea o permanece encendido cuando el ventilador está apagado (por ejemplo, 120 horas de funcionamiento). Consulte la página 38 para obtener instrucciones sobre cómo instalar y quitar los filtros.



Limpieza de la campana

El acero inoxidable es uno de los materiales más fáciles de mantener limpio. Un cuidado esporádico ayudará a conservar su aspecto noble.

Consejos de limpieza:

- Agua caliente con jabón o detergente es todo lo que normalmente se necesita.
- Después de limpiar, enjuague con agua limpia. Séquelo con un paño limpio y suave para evitar las marcas de agua.
- Para manchas o restos persistentes, utilice un producto de limpieza del hogar que no deje marca o polvo abrillantador para acero inoxidable con un poco de agua y un paño suave.
- Para casos rebeldes, utilice una esponjilla de plástico o un cepillo de cerda suave junto con un producto de limpieza o agua. Frote suavemente en dirección a las líneas brillantes o el "grano" del acabado inoxidable. Evite emplear demasiada fuerza, ya que puede estropear la superficie.
- **NO** permita que los restos permanezcan mucho tiempo.
- **NO** utilice estropajos corrientes de acero u ovillo de acero. Los pequeños trozos de acero se pueden adherir a la superficie produciendo herrumbre.
- **NO** permita que soluciones salinas, desinfectantes, lejías o compuestos de limpieza permanezcan en contacto con el acero inoxidable durante periodos largos. Muchos de estos compuestos contienen agentes químicos que pueden ser dañinos. En estos casos, enjuague la superficie con agua y séquela con un paño limpio.

Las superficies pintadas deben limpiarse sólo con agua templada y detergentes suaves.

PREPARE LA CAMPANA

Sacar la campana de l'embalaje y controlar el contenido.

Recivireis:

1 - Campana

1 - Tubo decorativo

1 - Bolsita con:

1 - Soporte de montaje

1 - Casquillo

1 - Soporte para el montaje del tubo

6 - Tornillos de montaje (4.8 x 38mm cabeza redonda)

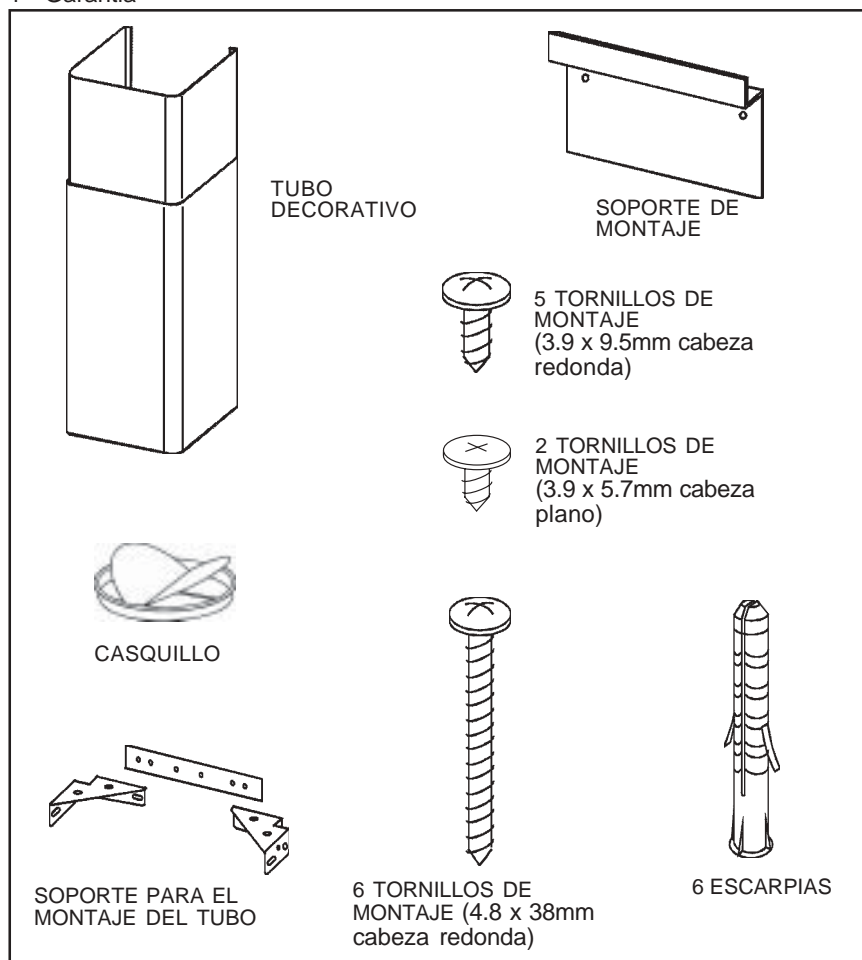
5 - Tornillos de montaje (3.9 x 9.5mm cabeza redonda)

2 - Tornillos de montaje (3.9 x 5.7mm cabeza plano)

6 - Escarpas

1 - Instrucciones para instalación

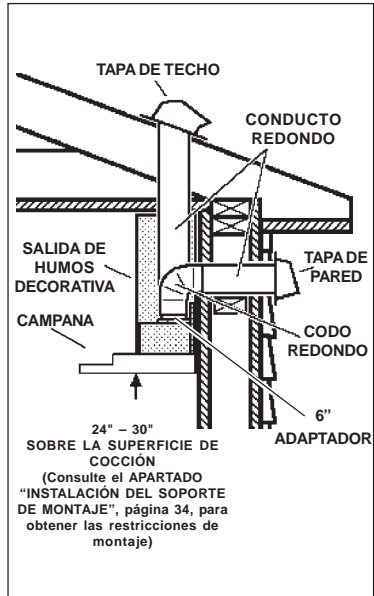
1 - Garantía



INSTALACIÓN DEL CONDUCTO (SÓLO CAMPANAS CON CONDUCTO)

NOTA: Para reducir el riesgo de fuego, utilice sólo conductos de metal.

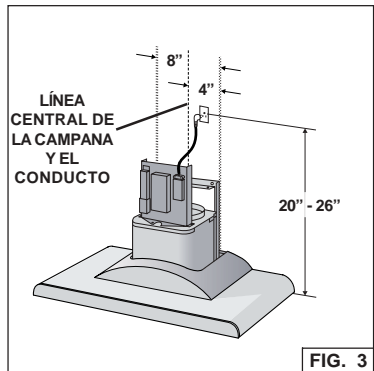
1. Decida el lugar entre la campana y el exterior en el que colocará el conducto.
2. Un conducto corto y recto permitirá que la campana funcione más eficazmente.
3. Los conductos largos, con codo, y las transiciones reducirán el rendimiento de la campana. Utilice tan pocos como pueda. Para su mejor rendimiento, los conductos más grandes pueden necesitar recorridos de conducto más largos.
4. Instale una tapa de pared o de techo. Conecte el conducto de metal redondo en la tapa y muévalo hacia la ubicación de la campana. Utilice la cinta del conducto para sellar las juntas entre las secciones del conducto.



INSTALACIÓN ELÉCTRICA

⚠️ ADVERTENCIA: El cableado eléctrico debe realizarlo una(s) persona(s) cualificada(s) según todos los códigos y las normas aplicables. Esta campana de cocina debe estar correctamente conectada a tierra. Antes de realizar la instalación eléctrica, apague la alimentación eléctrica en la entrada de servicio.

1. Decida el lugar sobre la parte superior del plano de cocción en el que ubicar la campana. Consulte el apartado **INSTALACIÓN DEL SOPORTE DE MONTAJE** para ver las opciones de altura del montaje de la campana.
2. Instale una toma de corriente estándar de pared de 2" x 4" y un receptáculo de toma a tierra de 3 palas, 125 voltios y 15 Amp.
3. Monte el receptáculo de 20" – 26" sobre la parte inferior de la campana Fig. 3
4. Coloque el receptáculo dentro de los límites mostrados y fuera del centro del conducto (para permitir la conexión del cable de alimentación y que la zona de la salida de humos esté despejada). Fig. 3

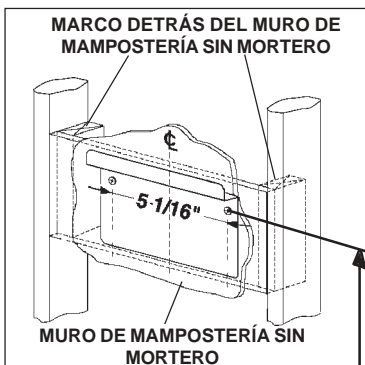


INSTALACIÓN DEL SOPORTE DE MONTAJE (CAMPANAS CON CONDUCTO O SIN CONDUCTO)

1. Construya un **marco** de pared de madera que esté alineado con la superficie interior de los tachones de la pared.

Asegúrese de que:

- el marco está centrado con respecto a la ubicación de instalación.
- la altura del marco permite que el **soporte de montaje** esté seguro en el marco dentro de las dimensiones mostradas.



2. Una vez finalizada la superficie de la pared, fije el soporte de montaje en el marco utilizando las dimensiones mostradas.

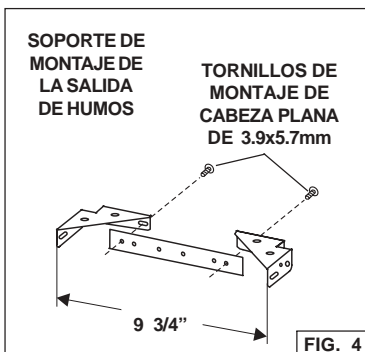
ALTIMETRO DEL TECHO	MÉTODO DE CONDUCTO	DISTANCIA DE LA CAMPANA POR ENCIMA DE 36" SOBRE LA SUPERFICIE DE LA COCINA (VÉASE LA NOTA A CONTINUACIÓN)						
		24"	25"	26"	27"	28"	29"	30"
UBICACIÓN DEL SOPORTE DE MONTAJE POR ENCIMA DE 36" SOBRE LA SUPERFICIE DE LA COCINA								
8 pies	CON CONDUCTO	37-7/8"	38-7/8"	39-7/8"	40-7/8"	41-7/8"	42-7/8"	
	SIN CONDUCTO	37-7/8"	38-7/8"	39-7/8"	40-7/8"	41-7/8"		
9 pies	CON CONDUCTO O SIN CONDUCTO		38-7/8"	39-7/8"	40-7/8"	41-7/8"	42-7/8"	43-7/8"
	CONDUCTO CON FEXTK7788	37-7/8"	38-7/8"	39-7/8"	40-7/8"	41-7/8"	42-7/8"	43-7/8"

Nota: la distancia mínima entre la campana y la parte superior de la cocina no debe ser menor que 24". Es muy recomendable utilizar un máximo de 30" sobre la parte superior de la cocina para obtener una mejor captura de las impurezas procedentes de la cocción. Las distancias mayores que 30" son a discreción del usuario y del instalador, y siempre que la altura del techo y la longitud de la salida de humos lo permitan.

INSTALACIÓN DEL SOPORTE DE MONTAJE DE LA SALIDA DE HUMOS

CON CONDUCTO Y SIN CONDUCTO

- Ensamble el soporte de montaje de la salida de humos, ajustando el ancho exterior tal como se muestra. Fig. 4
- Centre **cuidadosamente** el soporte de montaje directamente sobre la ubicación de la campana de la cocina.



- Asegure la unidad de soporte al techo utilizando (2) tornillos de montaje de 4,8 x 38 mm y soportes de muro de mampostería sin mortero. Asegúrese de que el soporte está apretado contra el muro contiguo y centrado sobre la campana.

PREPARACIÓN DE LA CAMPANA

Nota: En campanas de acero inoxidable, antes de llevar a cabo la instalación final, retire cuidadosamente la película protectora de plástico de todas las superficies exteriores de la campana y de las salidas de humo decorativas.

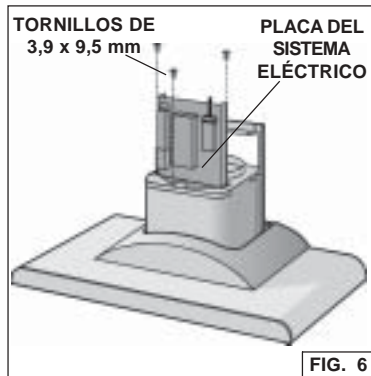
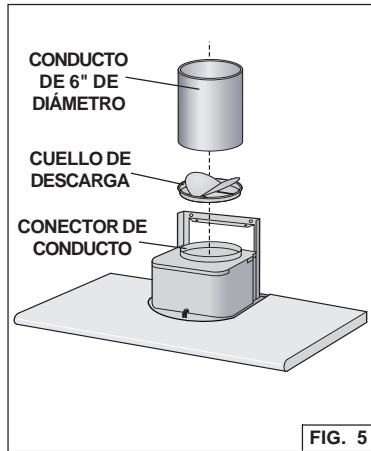
CONFIGURACIÓN CON CONDUCTO

1. Instale el cuello de descarga en el conector de conducto de la campana de cocina. Fig. 5
2. Conecte un conducto redondo de acero de 6" al conector de conducto de la campana de cocina. Fig. 5
3. El conducto tapa todas las juntas, asegurándolas y volviéndolas herméticas.
4. Asegure la placa del sistema eléctrico a la campana de cocina con (3) tornillos de montaje. Fig. 6
5. Coloque con cuidado la salida de humos decorativa inferior en el área empotrada de la parte superior de la campana de cocina. Fig. 7

6. Deslice cuidadosamente la salida de humos decorativa superior hacia abajo, dentro de la salida de humos inferior. Fig. 7

Nota: En techos de 8", los respiraderos de la salida de humos superior quedan ocultos al instalar la salida de humos con los respiraderos abajo.

En techos de 9", los respiraderos de la salida de humos superior se estarán a la vista una vez instalados.



PREPARACIÓN DE LA CAMPANA

CONFIGURACIÓN SIN CONDUCTO

Nota: Los siguientes materiales deben comprarse por separado para instalaciones de recirculación sin conducto.

- Juego de recirculación sin conducto, modelo NDK7780
- Conducto de aluminio flexible/dilatado de 5".
- Taladradora de 1/16" de diámetro.

PRECAUCIÓN: No utilice conductos de metal rígido ni de plástico.

1. Determine la longitud del conducto de aluminio flexible comprimido usando la siguiente formula:

34" **MENOS** 35" de distancia por encima **MÁS** 12" si la altura del = Longitud
de la parte superior de la de la cocina. Consulte la página comprimida
34 para obtener de aluminio
restricciones sobre la altura flexible
de montaje.

Hoja de trabajo: 34" - _____ + _____ (sólo para techos de 9") = _____

2. Deje a un lado el cuello de descarga y el regulador de tiro suministrados con la campana. Instale el adaptador de 5" a 6" suministrado con el juego de recirculación sin conducto. Fig. 8

3. Conecte el conducto de aluminio flexible al adaptador de 5". Selle todas las juntas con cinta del conducto. Fig. 8

4. Monte el pleno de recirculación al conducto flexible. Fig. 8

5. Taladre tres (3) agujeros de 1/16" de diámetro espaciados regularmente en el conducto y en el conector de conducto del pleno de recirculación. Fig. 8

6. Asegure el conducto en el conector del pleno con (3) tornillos de metal chapado. Selle todas las juntas con la cinta del conducto. Fig. 8

7. Asegure la placa del sistema eléctrico a la campana de cocina con (3) tornillos de montaje. Fig. 9

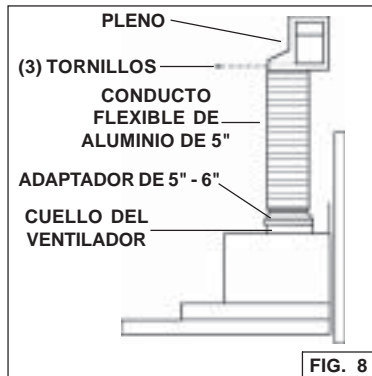


FIG. 8

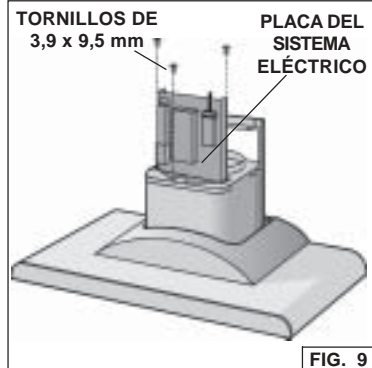


FIG. 9

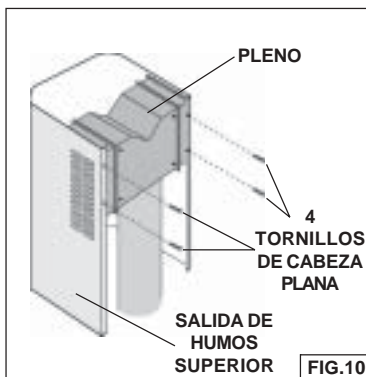
PREPARACIÓN DE LA CAMPANA

CONFIGURACIÓN SIN CONDUCTO, continuación

8. Coloque con cuidado la salida de humos decorativa inferior en el área empotrada de la parte superior de la campana de cocina. Fig. 7

9. Deslice cuidadosamente la salida de humos decorativa superior hacia abajo, dentro de la salida de humos inferior.

Nota: los respiraderos deben estar hacia arriba. Fig. 7



10. Asegure el pleno de recirculación en la salida de humos superior con (4) tornillos de cabeza plana. Fig. 10

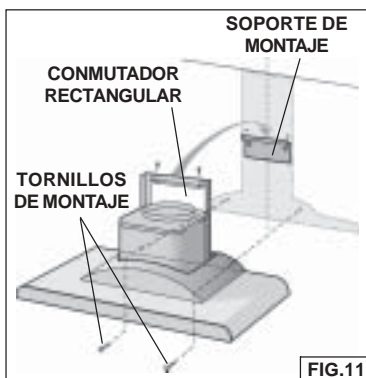
INSTALACIÓN DE LA CAMPANA

Nota: se necesitan al menos dos personas para montar la campana.

1. Levante la campana en su posición de montaje.

2. Conecte el cable de alimentación al receptáculo eléctrico de la pared. Coloque el cable restante detrás de la salida de humos.

3. Alinee la abertura rectangular de la parte posterior de la campana con el soporte de montaje de la pared. Baje suavemente la campana hasta que encaje correctamente en el soporte. Fig. 11



4. Nivele la campana y asegúrela con (2) tornillos de montaje. Si no dispone de tachones de pared ni de marcos, utilice los soportes de muro de mampostería sin mortero suministrados. Fig. 11

5. Levante la salida de humos superior hasta que sus orificios se alineen con los orificios del soporte de montaje de la salida de humos (situado en el techo). Fig. 12

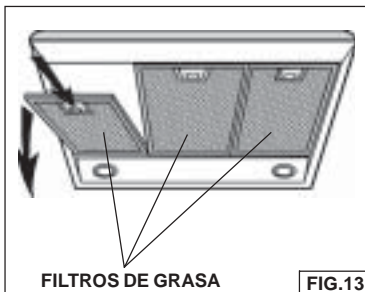


6. Asegure la salida de humos con (2) tornillos de montaje. Fig. 12

INSTALACIÓN DE FILTROS

CONFIGURACIONES CON CONDUCTO

1. Para quitar el filtro de GRASA, agarre con fuerza la lengüeta del seguro y tire de ella. De esta forma desconectará el filtro de la campana. Incline el filtro hacia abajo y quítelo. Fig. 13
2. Para instalar el filtro de GRASA, alinee las lengüetas posteriores del filtro con las ranuras de la campana. Tire de la lengüeta del seguro hacia abajo, coloque el filtro en su posición y suéltelo. Asegúrese de que el filtro encaja correctamente después de montarlo.



CONFIGURACIONES SIN CONDUCTO

1. Para quitar el filtro de CARBÓN, empuje la lengüeta delantera del filtro. Tire del filtro para desconectarlo de las lengüetas posteriores. Fig. 14
2. Para instalar el filtro de CARBÓN, alinee las lengüetas posteriores del filtro con las ranuras de la campana. Empujando, coloque el filtro en su lugar hasta que el seguro delantero encaje correctamente en su ranura. Asegúrese de que el filtro encaja correctamente después de montarlo.
3. Instale el filtro de GRASA después de instalar el filtro de carbón.



GARANTIA

GARANTIA BROAN POR UN AÑO

Broan garantiza al consumidor-comprador de sus productos que dichos productos no tendrán defectos en los materiales o fabricación, durante un periodo de un año a partir de la fecha de la compra. NO HAY OTRO TIPO DE GARANTIAS QUE INCLUYAN O SE LIMITEN EXCLUSIVAMENTE A GARANTIAS IMPLICITAS O DE CAPACIDAD COMERCIAL O CONVENIENCIA PARA UN PROPOSITO ESPECIFICO.

Durante el periodo de un año, Broan, si lo estima conveniente, reparará o reemplazará sin gastos para el usuario cualquier producto o parte de éste que sea defectuoso habiéndose usado correctamente. ESTA GARANTIA NO CUBRE: ESTARTER DE NEON, NEON, LÁMPARAS HALÓGENAS, LÁMPARAS DE ILUMINACIÓN. Tampoco cubre el mantenimiento ni los productos o partes de éstos que hayan sido usados de forma incorrecta, con negligencia, rotos accidentalmente o por una incorrecta manutención ó reparación (distinta da la realizada por Broan), montaje incorrecto ó instalación que no se ajuste a las instrucciones de montaje indicadas. Le duración de la garantía se limita al periodo de un año como está especificado en la garantía explicita. Algunos países no permiten un límite en la duración de la garantía implícita; si es así en su caso, esta limitación arriba indicada podría no aplicarse.

LA PRESENTE GARANTIA CUBRIRA EXCLUSIVAMENTE AL COMPRADOR LOS SERVICIOS DESCRITOS ANTERIORMENTE. BROAN NO SE HACE RESPONSABLE DE DANOS PRODUCIDOS DE MANERA ACCIDENTAL O RELACIONADOS CON EL USO INCORRECTO DEL PRODUCTO O SU FUNCIONAMIENTO.

Algunos países no permiten la exclusión o limitación de los daños producidos de manera accidental, si es así en su caso, esta limitación arriba indicada podría no aplicarse. Esta garantía le da derechos legales específicos y podría también disponer de otros derechos que varían de país a país. Esta garantía supera otras garantías dadas con anterioridad. Para disfrutar de la garantía usted deberá a) Avisar a la dirección abajo indicada ó bien llamar por teléfono al número 1-800-637-1453 b) Dar el número de serie del modelo correspondiente o bien una descripción de la parte averiada, c) Descripción del defecto en el producto o bien en una de sus partes. Para requerir un servicio en garantía debe presentar el justificante con la fecha de la compra.

BEST BY BROAN, P.O. Box 140 Hartford, Wisconsin 53027

SERVICE PARTS

MODEL K7788

KEY NO.	PART NO.	DESCRIPTION
7	BE3343960	Bottom bracket
9	B08087131	Grease Filter
14	B02300233	Motor Capacitor
16	BE3343557	Electrical Box Support
19	B03295005	Terminal Box
26	B02300891	Halogen Lamp Bulb
37	B02300787	Heat Sentry
38	B03292357	Control Board Box
39	B03294033	Control Board Cover
45	BW0000019	Blower
48	B02310184	Motor
49	B03295071	Blower Wheel
53	B03202007	Rubber Washer
60	B02300249	Feeder Cable
62	B08091397	Blower Mounting Cover
73	B002090220	Glass
86	B08088378	Discharge Collar
92	BE3343513	Switch Mounting Bracket
118	BE3344803	Decorative Flue Bottom
119	BE33446646	Decorative FlueTop
120	B08091367	Flue Mounting Bracket
144	B03292287	Wire Clamp
145	B032920170	Feeder cable connection Box
146	B032920180	Feeder Cable Connection Box Cover
147	BR2300132	Junction Clamp
151	B032920200	Electrical Box Wires Stop
154	B03202286	Lead
165	B03295008	Control Board Box
166	B08086662	Control Board
208	B02300783	Transformer
223	B03295036	Switch Button
228	B08086247	Controls Board
230	B03295014	Switch Board Box Cover
234	B03295013	Control Board Box
332	B03295009	Cover
407	BE3344985	Blower Support Bracket
415	B03202288	Lead
474	B02300733	Halogen Lamp Housing
477	B03294776	Terminal Cover
998	B080810498	Hardware Package
*	B06001998	Blower Assembly (Includes Key Nos. 45, 48, 49, 53)
*	B06107782	Switch Assembly (Includes Key Nos. 223, 228, 230, 234)
-	B03300488	Non-ducted recirculation filter
-	B08999637	Non-ducted recirculation KIT
-	B02300782	Fuse
-	B02300674	Fuse holder

* Not shown assembled.

LISTE PIECES DE RECHANGE

MODELE K7788

N.	PART N.	DESCRIPTION
7	BE3343960	Etrier inférieur
9	B08087131	Filtre anti-graisse
14	B02300233	Condensateur
16	BE3343557	Support boîte installation électrique
19	B03295005	Boîte borne
26	B02300891	Lampe halogène
37	B02300787	Capteur de température
38	B03292357	Boîte installation électrique
39	B03294033	Couvercle boîte installation électrique
45	BW0000019	Convoyer
48	B02310184	Moteur
49	B03295071	Turbine du moteur
53	B03202007	Pare chocs
60	B02300249	Cable alimentation
62	B08091397	Support moteur
73	B002090220	Verre
86	B08088378	Collier d'évacuation
92	BE3343513	Etriers commandes
118	BE3344803	Conduit décoratif inférieur
119	BE3346646	Conduit décoratif supérieur
120	B08091367	Etrier montage tube
144	B03292287	Serre cable
145	B032920170	Boite cable alimentation
146	B032920180	Couvercle boîte cable alimentation
147	BR2300132	Borne
151	B032920200	Serre cable
154	B03202296	Crochet
165	B03295008	Boîte installation électrique
166	B08086662	Circuit imprimé installation électrique
208	B02300783	Trasformateur
223	B03295036	Bouton
228	B08086247	Circuite commandes
230	B03295014	Couvercle boîte commandes
234	B03295013	Boîte commandes
332	B03295009	Bouchon
407	BE3344985	Etrier support convoyer
415	B03202288	Crochet
474	B02300733	Boîte lampe halogène
477	B03294776	Couvercle borne
998	B080810498	Accessoires de fixation
*	B06001998	Ensemble moteur (Comprenant n. 45, 48, 49, 53)
*	B06107782	Ensemble commandes (Comprenant n.223, 228, 230, 234)
-	B03300488	Filtre version recyclant l'air
-	B08999637	Kit version recyclant l'air
-	B02300782	Fusible
-	B02300674	Porte-fusible

* Illustrées separement.

LISTA DE PIEZAS DE RECAMBIO

MODELO K7788

CÓD.N.	PIEZA N.	DESCRIPCIÓN
7	BE3343960	Placa inferior
9	B08087131	Filtro antigrasa
14	B02300233	Condensador
16	BE3343557	Soporte de la caja de instalación eléctrica
19	B03295005	Caja del cuadro eléctrico
26	B02300891	Lámpara halógena
37	B02300787	Sensor de temperatura
38	B03292357	Caja base de instalación eléctrica
39	B03294033	Tapa de la caja base de instalación eléctrica
45	BW0000019	Convoyador
48	B02310184	Motor
49	B03295071	Manilla del motor
53	B03202007	Almohadilla antivibraciones
60	B02300249	Cabos
62	B08091397	Soporte motor
73	B002090220	Cristall
86	B08088378	Casquillo
92	BE3343513	Soporte de montaje de los mandos
118	BE3344803	Tubo decorativo inferior
119	BE3346646	Tubo decorativo superior
120	B08091367	Soporte de montaje del tubo
144	B03292287	Sujeta cabos
145	B032920170	Caja cabos alimentación
146	B032920180	Tapa de la caja cabos alimentación
147	BR2300132	Terminal
151	B032920200	Sujeta cabos
154	B03202286	Pasteca
165	B03295008	Caja de instalación eléctrica
166	B08086662	Base para instalación eléctrica
208	B02300783	Trasformador
223	B03295036	Mando
228	B08086247	Base de los mandos
230	B03295014	Tapa de la caja mandos
234	B03295013	Caja de los mandos
332	B03295009	Tapa
407	BE3344985	Soporte convoyador
415	B03202288	Pasteca
474	B02300733	Caja de la lámpara halógena
477	B03294776	Tapa del cuadro eléctrico
998	B080810498	Accesorios para el montaje
*	B06001998	Conjunto motor (Incluye los N. 45, 48, 49, 53)
*	B06107782	Conjunto mandos (Incluye los N. 223, 228, 230, 234)
-	B03300488	Filtro configuración sin tubo
-	B08999637	Equipo configuración sin tubo
-	B02300782	Fusible
-	B02300674	Portafusible

* Se encuentran por separado.

SERVICE PARTS - LISTE PIECES DE RECHANGE - LISTA DE PIEZAS DE RECAMBIO

MODEL K7788

