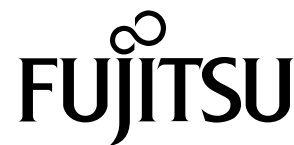


FMWCC38 Carrying Case



User's Instructions

Stylistic LT

These instructions provide details on using the FMWCC38 carrying case with your Stylistic LT pen tablet computer. When used with the Stylistic LT, the carrying case provides added protection when transporting or storing the pen tablet.

The carrying case is a sturdy, lightweight case with rigid front and back panels. The inside of the case is lined with a soft material designed to prevent scratches to your pen tablet. A piece of high-density foam is also contained inside the case to provide additional protection for your pen tablet screen.

To store your Stylistic LT, pull the flap from the front of the unit to unattach the Velcro® strip. Remove the foam piece from the inside of the case and place it over the screen of your pen tablet. Insert the pen tablet into the case, and reattach the flap with the Velcro® strip.

The Stylistic LT carrying case is made of rugged ballistic nylon. It is designed to withstand daily use. Treat the case as you would a quality briefcase or purse.

Occasionally, the carrying case may become soiled. To clean it, brush it with a short-bristled brush. If necessary, use a clean cloth and warm soapy water to wash the soiled area. Do not submerge the case in water, or it may become warped.

Caution

Do not store your Stylistic LT in the carrying case while the system is operating; the heat generated while the pen tablet is installed in the case could cause damage to internal components.

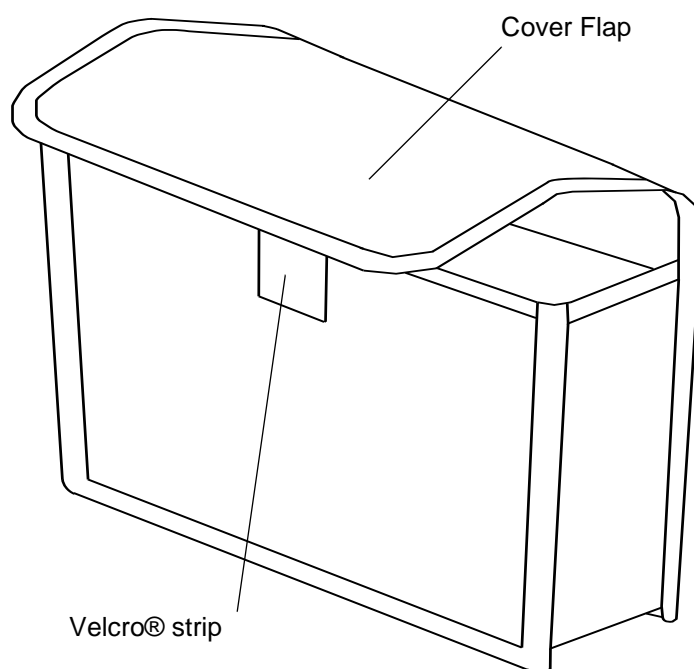


Figure 1. Stylistic LT Carrying Case