

Sunbeam

Dual Micathermic Convection Heater

2200 Watt Micathermic Convection Heater

Instruction Booklet
HE4100

Please read these instructions carefully
and retain for future reference.



Contents

Sunbeam's Safety Precautions	1
Safety precautions of your Heater	2
Sunbeam's Total Safety System	3
Features of your Micathermic Convection Heater	4
Using your Micathermic Convection Heater	6
To attach the feet	6
Troubleshooting Guide	8
Care and Cleaning	8

Important instructions – retain for future use.

تأكد من تفهم احتياطات السلامة المذكورة اعلاه

請務必理解上述的安全預防措施。

Assurez-vous que les précautions ci-dessus relatives à la sécurité sont bien comprises

Versichern Sie sich, dass die obenstehenden Sicherheitsmaßnahmen verstanden werden

Βεβαιώνετε πως οι παραπάνω προφυλάξεις ασφαλείας γίνονται κατανοητές

Pastikan bahwa tindakan-tindakan keselamatan seperti di atas dimengerti anda

Accertatevi che le suddette norme di sicurezza siano comprese a dovere

上記の注意事項をよくお読みになり、安全を御確認ください

Уверете се дека погоре споменатите мерки на претпазливост се добро разбрани

Asegúrese de que las precauciones de seguridad precedentes sean bien comprendidas

کاری یکنید کہ احتیاطهای بالا حتماً درک بشوند

ต้องแน่ใจว่า ข้อควรระวังเรื่องความปลอดภัยข้างต้น เป็นที่เข้าใจกันดี

Yukarda belirtilen güvenlik önlemlerinin anlaşılığundan emin olunuz

Xin kiểm chắc rằng những biện pháp làm an toàn kể trên được hiểu rõ

Sunbeam's Safety Precautions

Sunbeam is very safety conscious when designing and manufacturing consumer products, but it is essential that the product user also exercise care when using an electrical appliance. Listed below are precautions which are essential for the safe use of an electrical appliance:

- Read carefully and save all the instructions provided with an appliance.
- Always turn the power off at the power outlet before you insert or remove a plug. Remove by grasping the plug - do not pull on the cord.
- Turn the power off and remove the plug when the appliance is not in use and before cleaning.
- Do not use your appliance with an extension cord unless this cord has been checked and tested by a qualified technician or service person.
- Always use your appliance from a power outlet of the voltage (A.C. only) marked on the appliance.
- This appliance is not intended for use by persons (including children) with reduced physical, sensory or mental capabilities, or lack of experience and knowledge, unless they have been given supervision or instruction concerning use of the appliance by a person responsible for their safety.
- Children should be supervised to ensure that they do not play with the appliance.
- The temperature of accessible surfaces may be high when the appliance is operating.
- Do not use an appliance for any purpose other than its intended use.
- Do not place an appliance on or near a hot gas flame, electric element or on a heated oven.
- Do not place on top of any other appliance.
- Do not let the power cord of an appliance hang over the edge of a table or bench top or touch any hot surface.
- Do not operate any electrical appliance with a damaged cord or after the appliance has been damaged in any manner. If damage is suspected, return the appliance to the nearest Sunbeam Appointed Service Centre for examination, repair or adjustment.
- For additional protection, Sunbeam recommend the use of a residual current device (RCD) with a tripping current not exceeding 30mA in the electrical circuit supplying power to your appliances.
- Do not immerse the appliance in water or any other liquid unless recommended.
- Appliances are not intended to be operated by means of an external timer or separate remote control system.
- This appliance is intended to be used in household and similar applications such as: staff kitchen areas in shops, offices and other working environments; farm houses; by clients in hotels, motels and other residential type environments; bed and breakfast type environments.

If you have any concerns regarding the performance and use of your appliance, please visit www.sunbeam.com.au or contact the Sunbeam Consumer Service Line. Ensure the above safety precautions are understood.

Safety Precautions For Your Heater

SAFETY PRECAUTIONS FOR YOUR SUNBEAM MICATHERMIC CONVECTION HEATER.

- This heater becomes hot during use. To avoid burns, do not let bare skin touch hot surfaces. If provided, use handles when moving this heater. Keep combustible materials such as furniture, pillows, bedding, papers, clothes and curtains at least 1 metre away from the front of the heater and keep them away from the sides and rear.
- Extreme caution is necessary when any heater is used by or near children or invalids and whenever the heater is left unattended.
- To prevent overheating, do not cover the heater.
- Always unplug the heater when not in use.
- Do not use outdoors.
- Do not run the cord of the heater under carpeting. Do not cover the cord with throw rugs, runners or other floor coverings. Arrange the cord away from traffic areas to avoid a tripping hazard.
- Do not locate the heater immediately below a socket outlet.
- Do not use this heater in the immediate surroundings of a bath, shower, laundry area or swimming pool.
- Do not insert or allow foreign objects to enter any ventilation or exhaust openings as this may cause electric shock or fire and damage to the heater.
- To prevent possible fire, do not block air intakes or exhaust in any manner. Do not use on soft surfaces, such as beds, where opening may become blocked.
- A heater has hot and arcing or sparking parts inside. Do not use it in areas where petrol, paint or flammable liquids are used or stored.

Important instructions - Retain For Future Use

If you have any concerns regarding the performance and use of your appliance, please visit www.sunbeam.com.au or contact the Sunbeam Consumer Service Line. Ensure the above safety precautions are understood.

Sunbeam's Total Safety System

Safety auto shutoff

If the appliance overheats, for example due to the air inlet or outlet grilles being accidentally blocked. The element automatically de-energizes until the heater cools down. As an added precaution we recommend unplugging the heater.

Instant tip over cut out

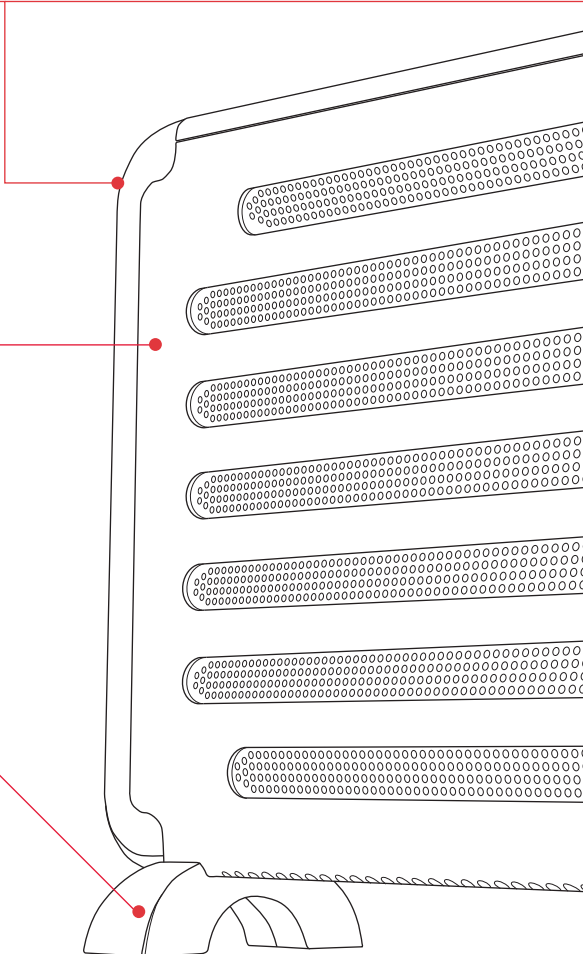
The instant tip over cut out interrupts the power to the heating element if the heater is accidentally tipped over. When the heater is returned to the upright position, the heater will resume operation.

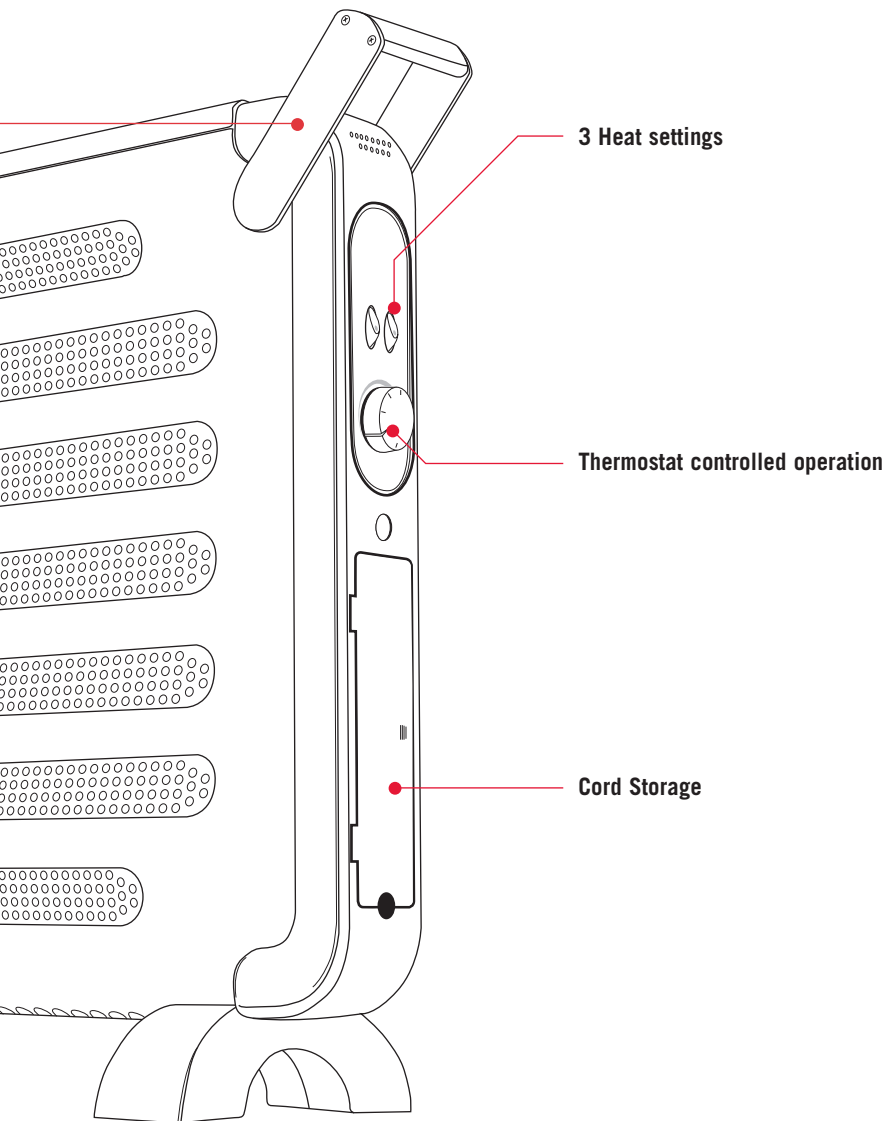
Features of your Sunbeam Micathermic Convection Heater

Recessed handle and stable handle for easy maneuverability

Pressed metal exterior

Solid stable feet





3 Heat settings

Thermostat controlled operation

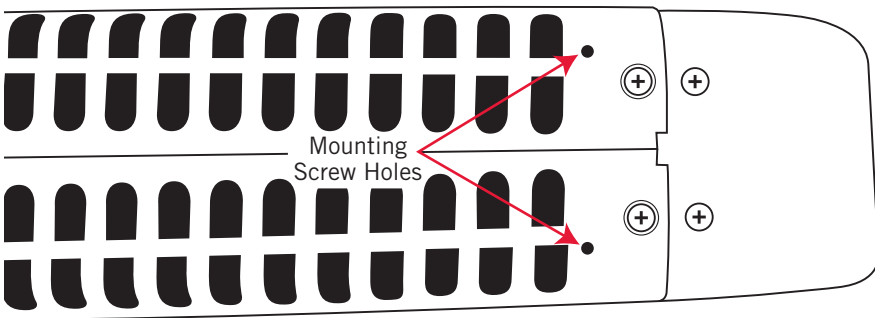
Cord Storage

Using your Micathermic Convection Heater

1. Place the heater on a flat level surface.
Ensure that the heater is at least 1 metre away from furniture and curtains.
2. Insert the plug into a 230-240 power outlet.
Turn the power on.
3. Select the desired heat setting by depressing Low, Medium or both together for High setting on the Control Panel on the side of the heater. When the switches are depressed an indicator light will illuminate.
4. To achieve your desired room temperature use the Thermostat Control dial which adjusts the temperature between low and high.
5. To turn off your heater, switch off the low & Medium buttons. Turn off the power at the outlet.
6. We recommend that before storing the power cord, you allow the heater to cool down.

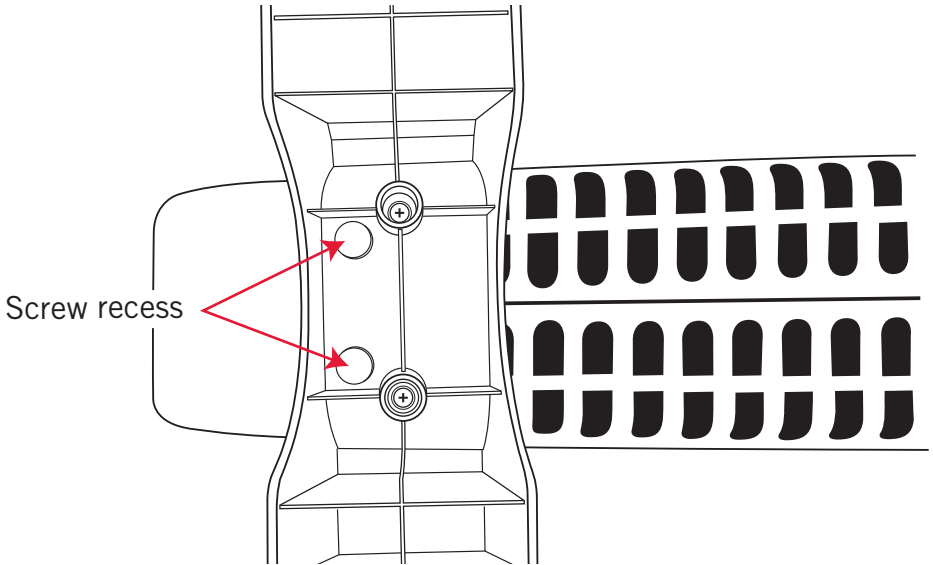
To attach the feet

The HE4100 heater packaging includes 2 black arched feet and 4 screws to attach the feet to the underside of the heater.



To attach the feet - continued

To mount the feet, align the feet such that the 2 narrow screw recesses are situated to the outside, as in the image below.



Troubleshooting Guide

1. If your heater fails to operate, check the following:

- Make sure the electrical outlet or circuit breaker is working..
- Check for obstructions, if obstructions are present, the heater may have gone over temperature. If this is the case turn off the heater at the power outlet, remove the obstructions and wait for the heater to cool before turning the heater back on.

- Check that the thermostat is not set too low. Turn the dial clockwise to adjust the electric thermostat. Until the heater restarts.

Care and Cleaning

Ensure that the heater is switched off and disconnected from the power outlet before cleaning.

Carefully wipe the exterior of the heater with a soft damp cloth and dry thoroughly with a dry cloth.

Over time, dust may accumulate on the front grille. This can be removed by wiping with a damp cloth, or by carefully going across the grille with a vacuum cleaner or hand held vacuum.

Do not use harsh or abrasive cleaners to clean your heater, as these will damage the surface.

When not in use store the heater in a cool dry place.

2 Year Replacement Guarantee

In the unlikely event that this appliance develops any malfunction within 2 years of purchase (3 months commercial use) due to faulty materials or manufacture, we will replace it for you free of charge.

Should you experience any difficulties with your appliance, please phone our customer service line for advice on 1300 881 861 in Australia, or 0800 786 232 in New Zealand. Alternatively, you can send a written claim to Sunbeam at the address listed below. On receipt of your claim, Sunbeam will seek to resolve your difficulties or, if the appliance is defective, advise you on how to obtain a replacement or refund.

Your Sunbeam 2 Year Replacement Guarantee naturally does not cover misuse or negligent handling and normal wear and tear.

Similarly your 2 Year Replacement Guarantee does not cover freight or any other costs incurred in making a claim. Please retain your receipt as proof of purchase.

The benefits given to you by this guarantee are in addition to your other rights and remedies under any laws which relate to the appliance.

Our goods come with guarantees that cannot be excluded under the Australian Consumer Law and under the New Zealand Consumer Guarantees Act.

In Australia you are entitled to a replacement or refund for a major failure and for compensation for any other reasonably foreseeable loss or damage. You are also entitled to have the goods repaired or replaced if the goods fail to be of acceptable quality and the failure does not amount to a major failure.

Should your appliance require repair or service after the guarantee period, contact your nearest Sunbeam service centre.

For a complete list of Sunbeam's authorised service centres visit our website or call:

Australia

www.sunbeam.com.au

1300 881 861

Units 5 & 6, 13 Lord Street
Botany NSW 2019 Australia

New Zealand

www.sunbeam.co.nz

0800 786 232

26 Vestey Drive, Mt Wellington
Auckland, New Zealand

Need help with your appliance?

Contact our customer service team or visit our website for information and tips on getting the most from your appliance.

In Australia


Visit www.sunbeam.com.au

Or call 1300 881 861

In New Zealand

Visit www.sunbeam.co.nz

Or call 0800 786 232

 is a registered trademark.

Made in China.

Due to minor changes in design or otherwise, the product may differ from the one shown in this leaflet.

© Copyright. Sunbeam Corporation Limited 2011.

ABN 45 000 006 771

Units 5 & 6, 13 Lord Street
Botany NSW 2019 Australia

Unit 3, Building D
26 Vestey Drive
Mt Wellington Auckland
New Zealand

Sunbeam Corporation is a division of GUD Holdings Ltd.