



# MODEL H7724 60" WORKBENCH INSTRUCTIONS

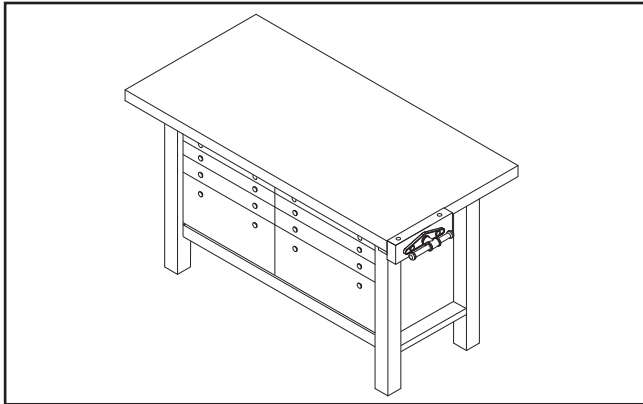


Figure 1. Model H7724 Birch Workbench.

## Features

- Lacquer-sealed birch wood surfaces.
- Four 19¼"W x 14"D x 2¼"H ball-bearing slide drawers.
- Two 19¼"W x 14"D x 4¼"H ball-bearing slide drawers.
- Two 21¼"W x 14¾"D x 12½"H Storage cabinets.
- Birch-faced vise with removable top plate and 6¾" leadscrew travel, 12½" wide x 2¾" thick.
- Four chrome bench dogs.
- Overall dimensions: 66½" wide x 20" in depth x 34" tall.
- Shipping weight: 148 lbs.

## Safety & Limitations

- Maximum workbench table load is 500 lbs.
- Do not stand or climb on the workbench.
- Do not apply an unbalanced load on the table that could result in workbench tipping over.
- Keep children away from the workbench.
- Do not use workbench outdoors or in wet or damp locations.
- Do not overload the dogs or vise.

## Inventory

Use the parts breakdown and listing in **Figure 2** and on **Page 4** to arrange your workbench parts and inventory your shipment.

If any nonproprietary parts are missing (e.g. a bolt or a washer), we will gladly replace them; or for the sake of expediency, replacements can be obtained at your local hardware store.

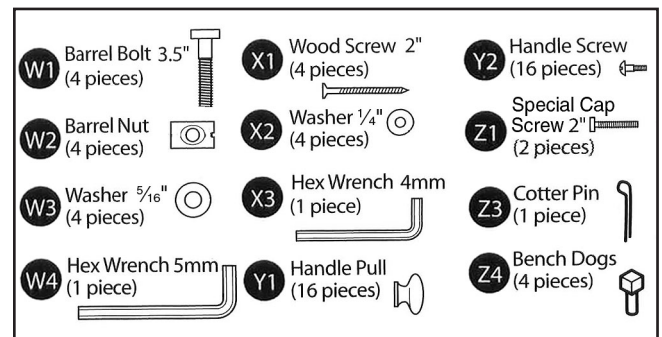


Figure 2. Fastener kit inventory.

**Note:** Refer to **Page 4** for kit item part numbers.

## Assembly

Use the steps and figures below and refer to the labels on the workbench parts to properly assemble your workbench.

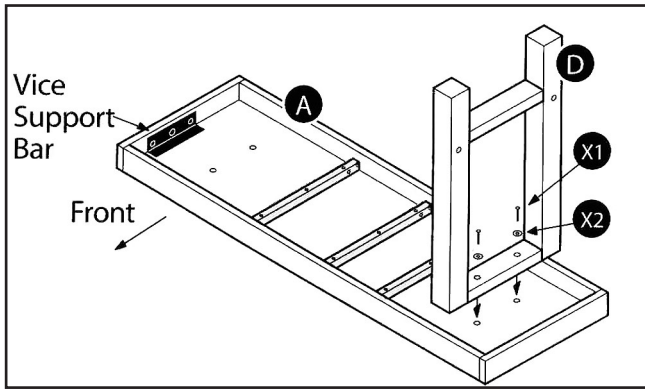
### Tools Needed

	<b>Qty</b>
Phillips Screwdriver #2 .....	1
Hex Wrench 4mm (Included).....	1
Hex Wrench 5mm (Included).....	1

### To assemble your workbench:

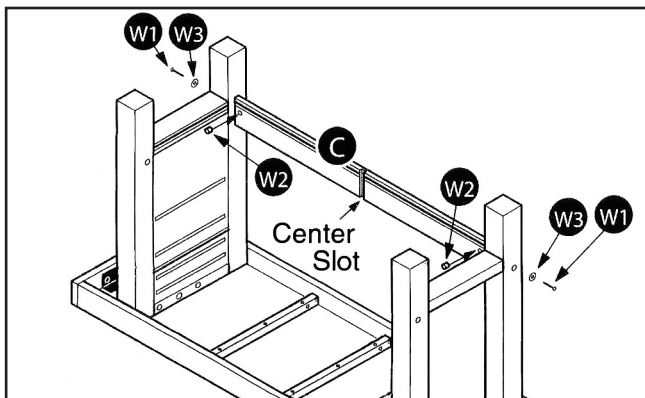
1. Place the table (A) face down on the left over shipping cardboard to avoid scratching the workbench top.

- Position the workbench top "A" so the vise support bar is to your left. Using the 4mm hex wrench, install leg "D" with two (X1) wood screws, and two (X2) washers (**Figure 3**). Do not fully tighten at this time.



**Figure 3.** Leg installation.

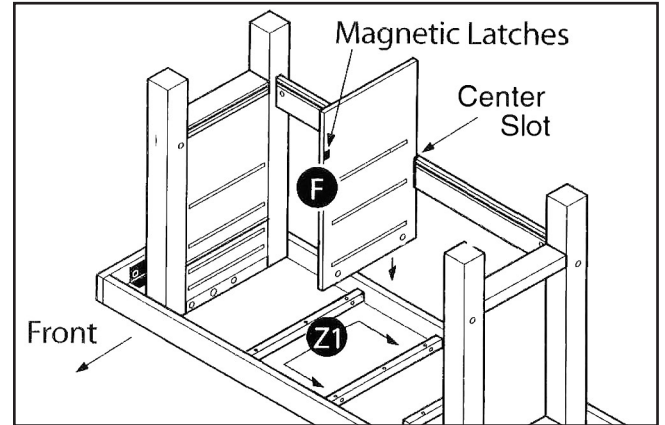
- Install leg "B" with two (X1) wood screws, and two (X2) washers as previously done. Do not fully tighten at this time.
- Insert two (W2) barrel nuts into the back cross brace "C", so the barrel nuts slots are horizontal and showing on the same side as the back board center slot (**Figure 4**).



**Figure 4.** Back board installation.

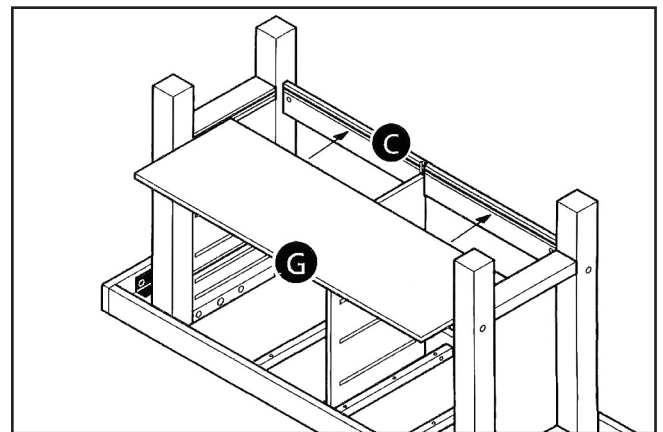
- Position the back cross brace "C" so it is facing inward and the grooves in the brace line up with the grooves in the legs.
- Using the 5mm hex wrench, secure the brace and legs together with two (W1) barrel bolts and two (W3) washers (**Figure 4**). Do not fully tighten the bolts at this time.

- Position the center panel "F" so the magnetic latches are facing toward the front (**Figure 5**), and the panel slips in the center slot.



**Figure 5.** Center panel installation.

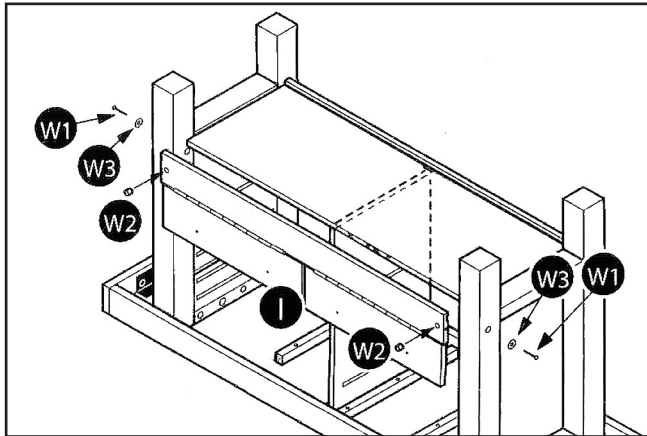
- Using the 4mm hex wrench, secure the center panel "F" to the cross brace with two (Z1) special cap screws and washers (**Figure 5**). Do not fully tighten at this time.
- Position the bottom panel "G" into the leg grooves. Using care, slide the panel all the way back until it fully seats into the groove in the back cross brace "C" (**Figure 5**).



**Figure 6.** Bottom panel installation.

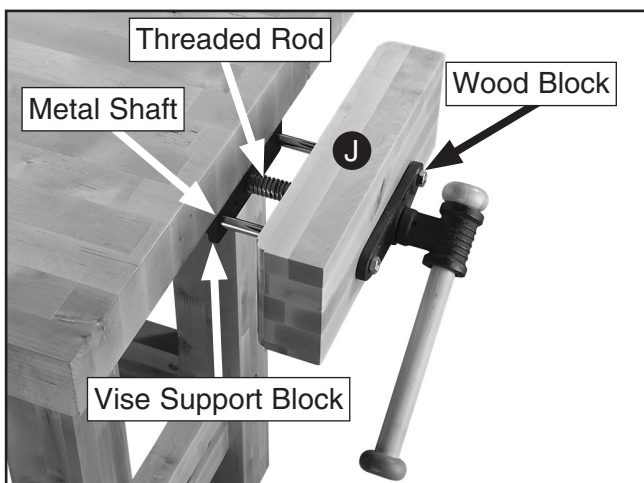


10. Insert two (W2) barrel nuts into the front cross brace "I", so the barrel nuts slots are horizontal and facing toward the inside of the workbench (Figure 7).



**Figure 7.** Front cross brace installation.

11. Using the 5mm hex wrench, secure the front brace and legs together with two (W1) barrel bolts and two (W3) washers (Figure 7).
12. Tighten all loose fasteners except the four (X1) fasteners holding the legs to the table.
13. Tighten the (X1) fasteners at this time.
14. With assistance, position the workbench onto its feet.
15. Insert the metal shafts and threaded rod of the vise through the holes in the vise wood block (J) and into the vise support block under the bench top (see Figure 8).

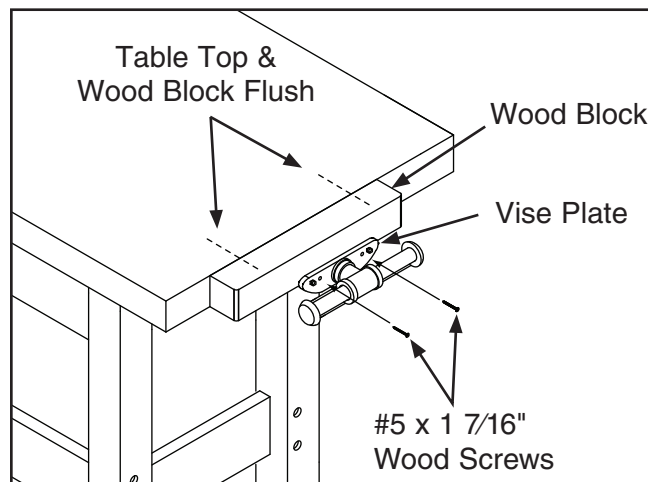


**Figure 8.** Vise threaded into vise support block.

16. Turn the vise handle clockwise until the wood block (Figure 8) just touches the table.

**Note:** Do not fully tighten the vise handle; leave it loose enough so the wood block can be adjusted in the next step.

17. Adjust the top of the wood block flush with the surface of the table using a straightedge, as shown in Figure 9.

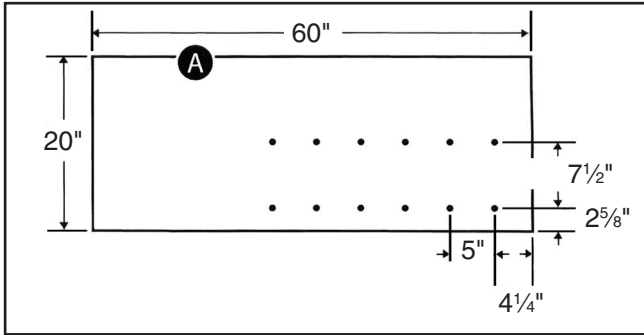


**Figure 9.** Installing vise.

18. Using an 1/8" drill bit, drill 1 7/16" deep holes through the vise plate mounting holes and into the wood block.
19. Secure the vise plate to the wood block with two #5 x 1 7/16" wood screws (Figure 9).
20. Place a cotter pin in the end of the threaded rod, bending it tightly around the shaft to keep it from threading out of the vise support block.

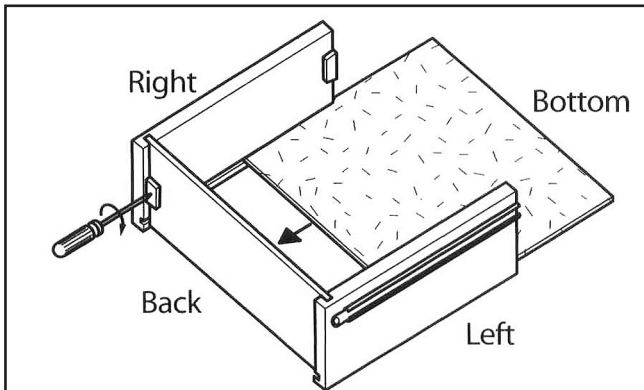


21. Should you choose to use the (Z4) bench dogs, drill twelve  $\frac{5}{8}$ " (16mm) holes at the shown locations in **Figure 10** in the table top.



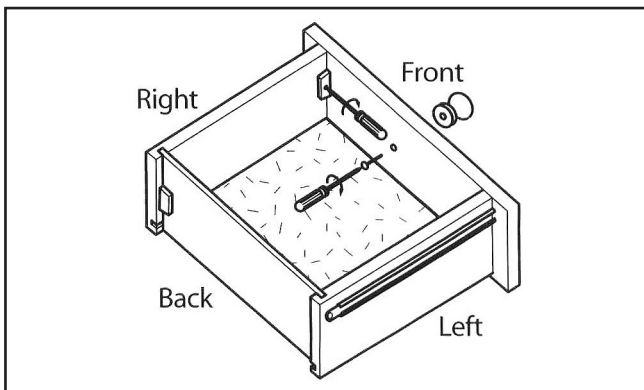
**Figure 10.** Optional bench dog drilling locations.

22. Using a standard screwdriver, assemble the right and left drawer sides to the drawer back. Then slide the drawer bottom into the drawer side grooves (**Figure 11**) until it is fully seated in the back groove.



**Figure 11.** Drawer assembly.

23. Install the drawer fronts (**Figure 12**), the (Y1) knobs, and insert the drawers into their respective drawer slides.



**Figure 12.** Final assembly.

24. Lubricate drawer slides with light grease periodically for smooth operation.

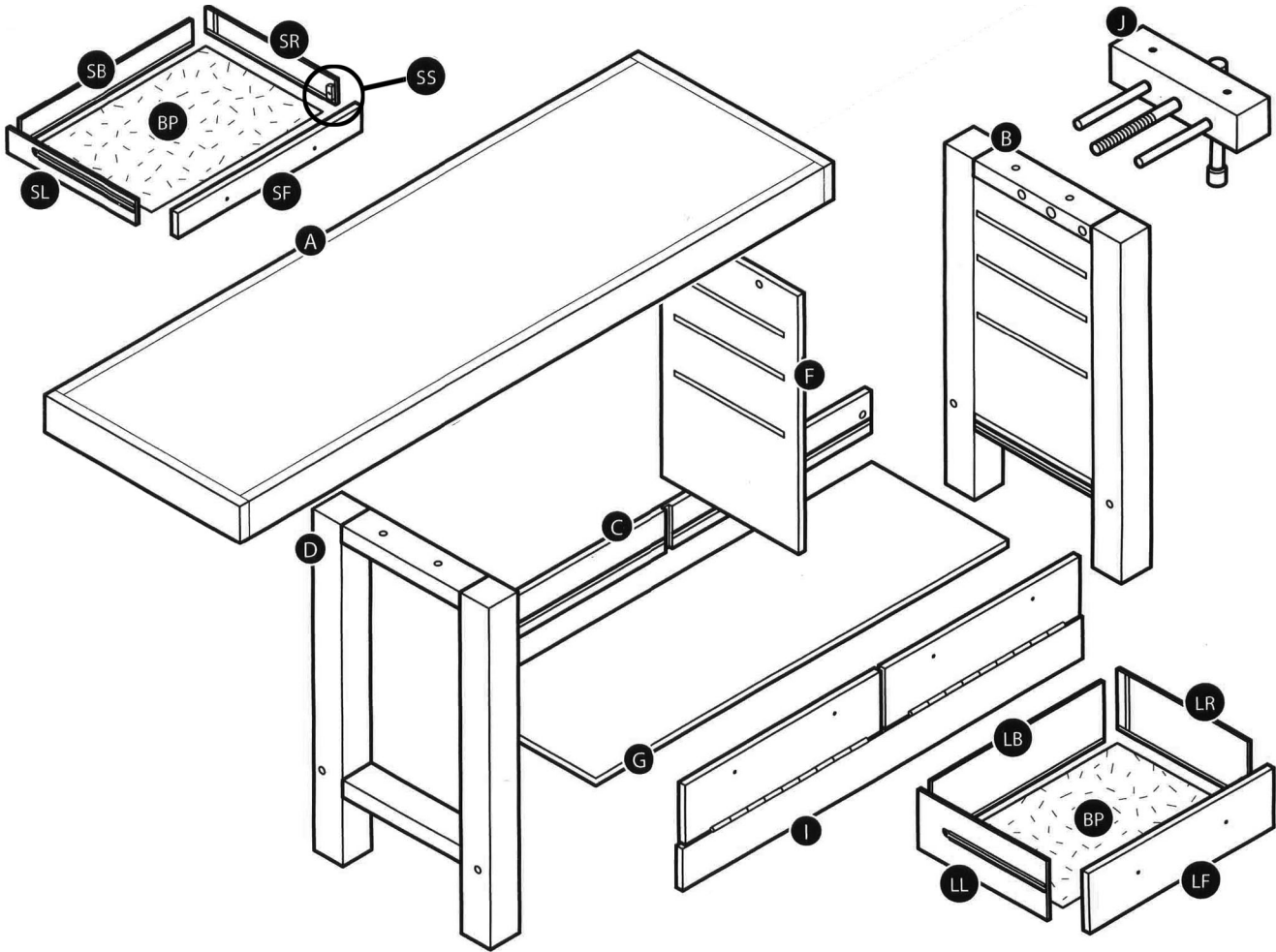
## Maintenance

To avoid damaging it, do not store the workbench outside, or in an overly damp or extremely dry location.

*If you need help with your new item, call our Tech Support at: (570) 546-9663.*



# Parts Breakdown and List



REF	PART	DESCRIPTION
A	PH7724015	TABLE TOP
B	PH7724016	RIGHT SIDE LEG
C	PH7724018	BACK CROSS BRACE
D	PH7724017	LEFT SIDE LEG
F	PH7724019	CENTER PANEL
G	PH7724020	MAIN BOTTOM PANEL
I	PH7724021	FRONT CROSS BRACE
J	PH7724022	WISE ASSEMBLY
SF	PH7724014-3	SMALL FRONT PANEL
SB	PH7724014-4	SMALL BACK PANEL
SL	PH7724014-1	SMALL LEFT PANEL
SR	PH7724014-2	SMALL RIGHT PANEL
BP	PH7724030	DRAWER BOTTOM PANEL
LF	PH7724002-3	LARGE FRONT PANEL
LB	PH7724002-4	LARGE BACK PANEL
LL	PH7724002-1	LARGE LEFT PANEL

REF	PART	DESCRIPTION
LR	PH7724002-2	LARGE RIGHT PANEL
SS	PH7724001	CORNER BRACKET ASSY.

Fastener Kit Item Part Numbers (See Figure 2).		
W1	PH7724006	BARREL BOLT 3½"
W2	PH7724008	BARREL NUT
W3	PW07	FLAT WASHER 5/16"
W4	PAW05M	HEX WRENCH 5MM
X1	PH7724012	WOOD SCREW 2"
X2	PW06	FLAT WASHER ¼"
X3	PAW04M	HEX WRENCH 4MM
Y1	PH7724009	PULL KNOB
Y2	PS25	PHLP HD SCR 8-32 X 5/8"
Z1	PH7724005	SPECIAL CAP SCREW 2"
Z3	PH7724025	COTTER PIN
Z4	PH7724026	BENCH DOG

