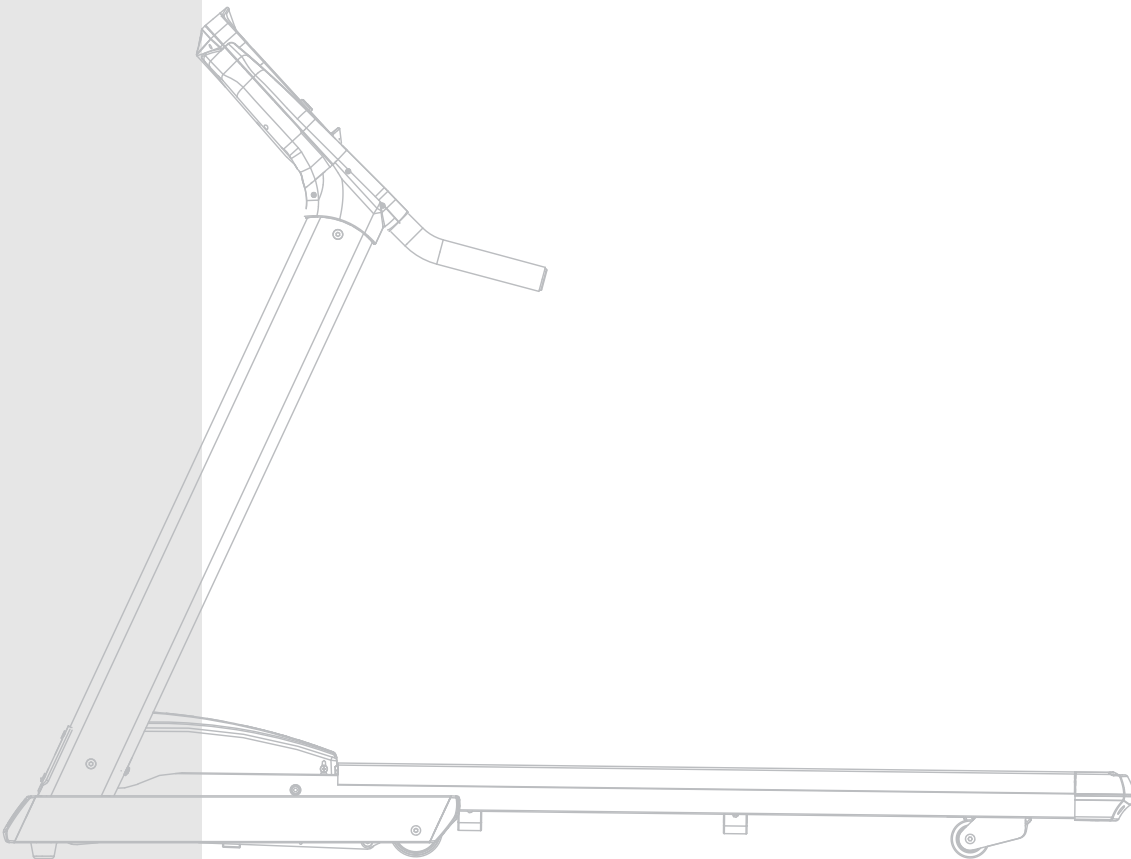
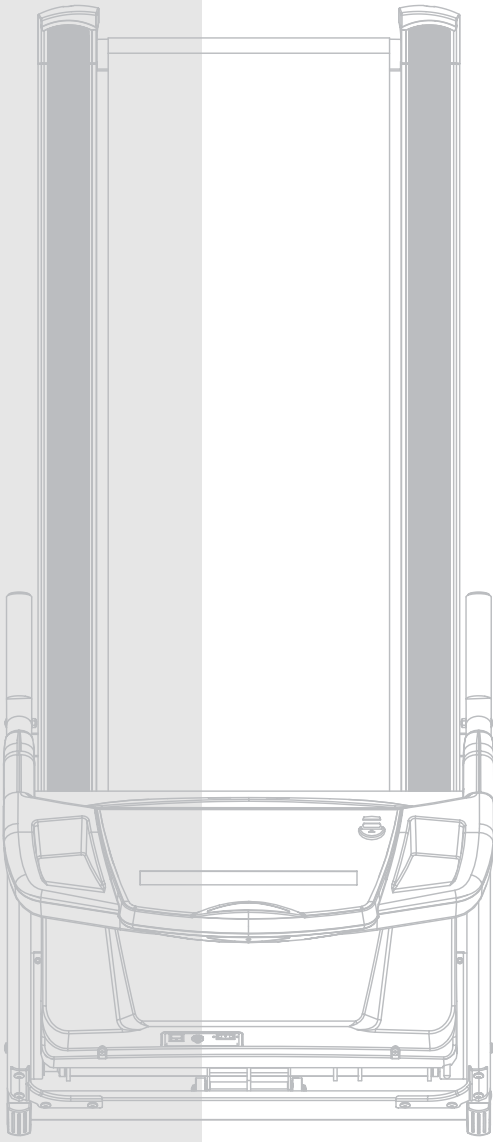




ST55 Treadmill

USER MANUAL



CORPORATE HEADQUARTERS

10601 West Belmont Avenue
Franklin Park, Illinois 60131 • U.S.A.
847.288.3300 • FAX: 847.288.3703
800.735.3867 (Toll-free within U.S.A., Canada)

www.lifefitness.com

INTERNATIONAL OFFICES

LIFE FITNESS ASIA PACIFIC LTD

Room 2610, Miramar Tower
132 Nathan Road
Tsimshatsui, Kowloon
HONG KONG
Telephone: (+852) 2891.6677
FAX: (+852) 2575.6001

LIFE FITNESS ATLANTIC BV

LIFE FITNESS BENELUX

Bijdorplein 25 - 31
2992 LB Barendrecht
THE NETHERLANDS
Telephone: +31 (0) 180 64 66 66
FAX: +31 (0) 180 64 66 99

LIFE FITNESS DO BRAZIL

Av. Dr. Dib Sauaia Neto 1478
Alphaville, Barueri, SP
06465-140
BRAZIL
Telephone (+55) 11.4193.8282
FAX: (+55) 11.4193.8283

LIFE FITNESS VERTRIEBS GMBH

Dückerstraße 7-9/3/36
1220 Vienna
AUSTRIA
Telephone: (+43) 1.61 57 198
FAX: (+43) 1.61 57 198.20

LIFE FITNESS IBERIA

Pol. Ind. Molí dels Frares. c/C, nº 12
08620 Sant Vicenç dels Horts (Barcelona)
SPAIN
Telephone: (+34) 93.672.4660
FAX: (+34) 93.672.4670

LIFE FITNESS EUROPE GMBH

Siemensstrasse 3
85716 Unterschleissheim
GERMANY
Telephone: (+49) 89.31 77 51.0
FAX: (+49) 89.31 77 51.99

LIFE FITNESS ITALIA S.R.L.

Via Vittorio Veneto, 57/A
39042 Bressanone (Bolzano)
ITALY
Telephone: (+39) 0472.835 470
FAX: (+39) 0472.833 150

LIFE FITNESS LATIN AMERICA and CARIBBEAN

10601 West Belmont Avenue
Franklin Park, Illinois 60131
U.S.A.
Telephone: (+1) 847.288.3300
FAX: (+1) 847.288.3886

LIFE FITNESS UK LTD

Queen Adelaide
Ely, Cambs CB7 4UB
UNITED KINGDOM
Telephone: (+44) 1353.666017
FAX: (+44) 1353.666018

LIFE FITNESS JAPAN

Nippon Brunswick Bldg., #8F
5-27-7 Sendagaya
Shibuya-Ku, Tokyo
JAPAN 151-0051
Telephone: (+81) 3.3359.4309
FAX: (+81) 3.3359.4307

Before using this product, it is essential to read this ENTIRE operation manual and ALL installation instructions.

This will help in setting up the equipment quickly and in instructing others on how to use it correctly and safely.

Class HB (Home): Domestic use. Not designed for therapeutic purposes.

Complies with EN957-1 and EN957-6.



CAUTION: Any changes or modifications to this equipment could void the product warranty.

Any service, other than cleaning or user maintenance, must be performed by an authorized service representative. There are no user-serviceable parts.

TABLE OF CONTENTS

Unpacking and Assembly	4
Operation	6
1. Getting Started	7
1.1 Important Safety Instructions	7
1.2 Set-up	8
Folding, Moving, and Positioning the Treadmill // Electrical Requirement // Grounding Instructions // Starting Up the Treadmill // Getting On and Off the Treadmill // Keeping the Treadmill Deck Lubricated // Centering the Treadmill Belt // Adjusting the Treadmill Belt Tension	
2. The Display Console	10
2.1 Display Console Overview	10
2.2 Display Console Descriptions	11
2.3 Emergency Stop System	12
2.4 Accessory Trays and Reading Rack	12
2.5 English / Metric Display	12
3. Heart Rate Zone Training Exercise	13
3.1 Why Heart Rate Zone Training Exercise?	13
3.2 Heart Rate Monitoring	14
4. The Workouts	15
4.1 Workout Overviews	15
4.2 Using the Workouts	15
To Begin Any Workout Setup // Selecting Quick Start // Selecting a Workout // Entering Numeric Values During a Workout Setup // Accepting or Changing the Target Heart Rate // Adjusting the Elevation for a Workout-In-Progress // Adjusting the Speed for a Workout-In-Progress // Pausing a Workout // Ending a Workout Early // Viewing Workout Statistics // Treadmill Workout Setup Steps (chart)	
4.3 Workout Descriptions	18
Speed Interval // Aerobic // Weight Loss // Hill Climb // Heart Rate Control // Target Time // Target Distance // Target Calories	
4.4 Custom Workouts	19
Setting Up and Using Custom Workouts for the First Time // Changing Existing Custom Workout Settings	
5. Service and Technical Data	21
5.1 Preventative Maintenance Tips	21
5.2 Troubleshooting the Telemetry Heart Rate Chest Strap	21
Heart Rate Reading Is Erratic Or Absent Entirely // Heart Rate Reading Is Erratic Or Extremely High	
5.3 When and How to Obtain Product Service	21
Identifying Problems // Obtaining Service	
5.4 Treadmill Specifications	23

© 2003 Life Fitness, a division of Brunswick Corporation. All rights reserved. Life Fitness and Heart Rate Zone Training are registered trademarks of Brunswick Corporation. Any use of these trademarks, without the express written consent of Life Fitness or the corresponding companies is forbidden.

UNPACKING THE TREADMILL

1. Carefully cut and remove the SHIPPING BANDS.
2. Carefully disengage the staples securing the TOP TRAY.
3. Lift the TOP TRAY upward and off of the BOTTOM TRAY.
4. Remove the TOP SPACERS, DISPLAY CONSOLE BOX and UPRIGHTS.
5. Remove the remaining packaging from the deck of the TREADMILL.



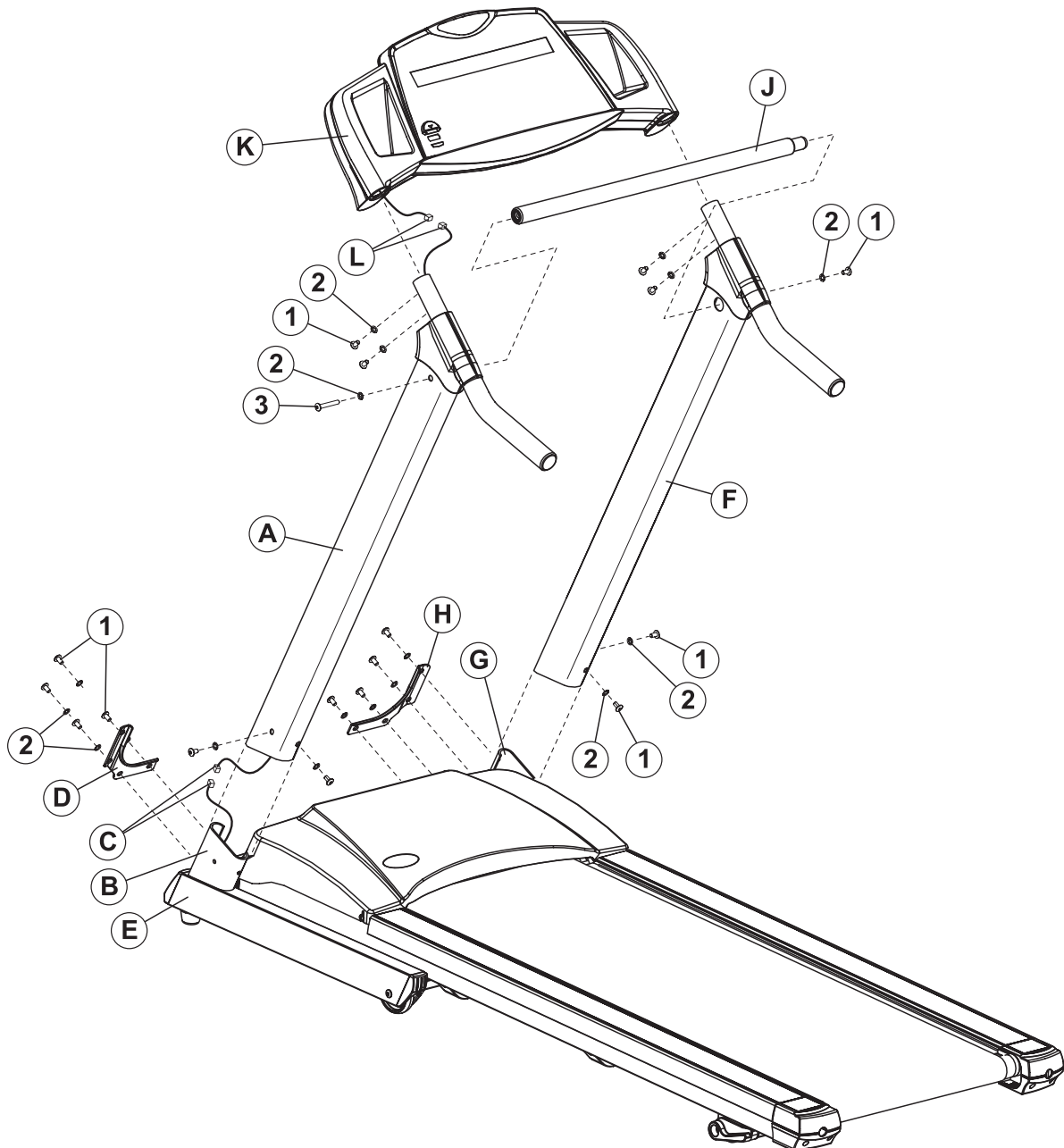
Caution: The TREADMILL should be assembled before removing it from the BOTTOM SHIPPING TRAY. Follow the ASSEMBLY INSTRUCTIONS on the opposite page before proceeding.

6. From the rear of the TREADMILL, tilt the BASE upward until it locks upright.

7. Tear the front end of the BOTTOM SHIPPING TRAY at the corners and fold the flap downward.
8. Carefully roll the TREADMILL forward and off of the BOTTOM SHIPPING TRAY.
9. Carefully roll the treadmill near the desired location for use.
10. Unfold the treadmill: Stand directly behind the treadmill. Support the treadmill base with the right hand, and pull and hold the release handle downward with the left hand. The handle is located on the end of the left main frame. Begin lowering the base a short distance. Let go of the release handle and, with both hands, guide the treadmill deck down to unfold it.



Caution: As the treadmill comes closer to the ground, it lowers at a faster rate and feels heavier.



ASSEMBLING THE TREADMILL

Tools Required: Metric Wrench Set, Metric Allen Wrench Set, Phillips Screwdriver

1. Locate the USER LEFT UPRIGHT (A) (upright with pre-fed CONSOLE CABLE). With the HANDLEBAR EXTENSION facing the rear of the unit, position the USER LEFT UPRIGHT near the USER LEFT UPRIGHT BRACKET (B). Connect the CONNECTORS (C) leading from the USER LEFT UPRIGHT and USER LEFT UPRIGHT BRACKET. Slide the USER LEFT UPRIGHT over the USER LEFT UPRIGHT BRACKET until fully seated. Install one 5/8" BUTTON HEAD SCREW (1) and LOCK WASHER (2) each in the side and rear mounting holes of the USER LEFT UPRIGHT. Finger-tighten the SCREWS.



Caution: Do not pinch the cable when sliding the USER LEFT UPRIGHT (A) over the USER LEFT UPRIGHT BRACKET (B).

2. Locate the USER LEFT UPRIGHT BRACE (D). Using four 5/8" BUTTON HEAD SCREWS (1) and LOCK WASHERS (2), secure the USER LEFT UPRIGHT BRACE to the front of the USER LEFT UPRIGHT (A) and the FRAME (E). Finger-tighten the SCREWS.
3. Locate the USER RIGHT UPRIGHT (F). With the HANDLEBAR EXTENSION facing the rear of the unit, position the USER RIGHT UPRIGHT near the USER RIGHT UPRIGHT BRACKET (G). Slide the USER RIGHT UPRIGHT over the USER RIGHT UPRIGHT BRACKET until fully seated. Install one 5/8" BUTTON HEAD SCREW (1) and LOCK WASHER (2) each in the side and rear mounting holes of the USER RIGHT UPRIGHT. Finger-tighten the SCREWS.
4. Locate the USER RIGHT UPRIGHT BRACE (H). Using four 5/8" BUTTON HEAD SCREWS (1) and LOCK WASHERS (2), secure the USER RIGHT UPRIGHT BRACE to the front of the USER RIGHT UPRIGHT (F) and the FRAME (E). Finger-tighten the SCREWS.
5. Locate the HANDRAIL (J). With the stepped extension end of the HANDRAIL facing right, position the HANDRAIL between the LEFT and RIGHT UPRIGHTS (A) & (F) at the HANDRAIL MOUNTING HOLES. Secure the user left side of the HANDRAIL to the LEFT UPRIGHT using the 2" BUTTON HEAD SCREW (3) and one LOCK WASHER (2). Secure the user right side of the HANDRAIL to the RIGHT UPRIGHT using one 5/8" BUTTON HEAD SCREW (1) and one LOCK WASHER (2).
6. Locate the DISPLAY CONSOLE (K). Position the DISPLAY CONSOLE near the top ends of the LEFT and RIGHT UPRIGHTS (A) & (F). Connect the CONNECTOR (L) leading from the top of the USER LEFT UPRIGHT to the CONNECTOR (L) leading from the user left side of the DISPLAY CONSOLE. Slide the DISPLAY CONSOLE onto the TOP UPRIGHT EXTENSIONS. Secure the DISPLAY CONSOLE to the uprights using two 5/8" BUTTON HEAD SCREWS (1) and LOCK WASHERS (2) on either side of the DISPLAY CONSOLE. Tighten the SCREWS securely.



Caution: Do not pinch the cable when sliding the DISPLAY CONSOLE (K) onto the LEFT and RIGHT UPRIGHTS (A) & (F).

7. Tighten all SCREWS securely.
8. Position the TREADMILL into the desired location for use.
9. Plug the TREADMILL into a proper electrical outlet as instructed in SECTION 1.2 of this manual.

This Operation Manual describes the functions of the following products:

Life Fitness Sport treadmill:

ST55

See Section 6, titled *Specifications* page in this manual for product-specific features.

Statement of Purpose: The treadmill is an exercise machine that enables users to walk or run, in place, on a moving surface.



Health-related injuries may result from incorrect or excessive use of exercise equipment. The manufacturer **STRONGLY** recommends seeing a physician for a complete medical exam before undertaking an exercise program, particularly if the user has a family history of high blood pressure or heart disease; or is over the age of 45; or smokes, has high cholesterol, is obese, or has not exercised regularly in the past year. The manufacturer also recommends consulting a fitness professional on the correct use of this product.

If, at any time while exercising, the user experiences faintness, dizziness, pain, or shortness of breath, he or she must stop immediately.

1 GETTING STARTED

1.1 IMPORTANT SAFETY INSTRUCTIONS



SAFETY WARNING: The safety of the product can be maintained only if it is examined regularly for damage and wear. See Preventative Maintenance section for details.

- **DANGER:** To reduce the risk of electrical shock, always unplug this Life Fitness product before cleaning or attempting any maintenance activity.
- **CAUTION:** Risk of injury to persons - To avoid injury, stand on the siderails before starting the treadmill.
- **WARNING:** To reduce the risk of burns, fire, electric shock or injury, it is imperative to connect each product to a properly grounded electrical outlet.
- To disconnect, turn power OFF at the ON/OFF switch, then remove plug from electrical outlet.
- Never operate a Life Fitness product if it has a damaged power cord or electrical plug; or if it has been dropped, damaged, or even partially immersed in water. Contact Life Fitness Customer Support Services.
- Before using this product, it is essential to read this ENTIRE operation manual and ALL instructions. The treadmill is intended for use solely in the manner described in this manual.
- Always follow the console instructions for proper operation.
- Close supervision is necessary when used by or near children, invalids or disabled persons.
- Never insert objects into any opening in the treadmill. If an object should drop inside, carefully retrieve it. If the item is beyond reach, contact Customer Support Services for assistance. See Section 4 for details.
- Use caution when unfolding the treadmill. As the treadmill base is unfolded, it will feel heavier and lower at an increasing rate as it moves closer to the ground.
- Never place liquids of any type directly on the unit, except in an accessory tray. Containers with lids are recommended.
- Do not use the treadmill outdoors, near swimming pools or in areas of high humidity.
- When in use, keep all loose clothing, shoelaces, and towels away from the treadmill's moving components. Keep hands and feet away from all moving components.
- Keep the area around the treadmill clear of any obstructions, including walls and furniture. An area of six feet by four feet behind the treadmill is recommended.
- Use the handrails whenever additional stability is required. In case of an emergency, such as tripping, the handrails should be grabbed and the user should place his/her feet on the side platforms.
- Wear shoes with rubber or high-traction soles. Do not use shoes with heels, leather soles, cleats or spikes. Do not use the treadmill in bare feet.
- Do not tip the treadmill on its side during operation.
- To ensure proper functioning of this product, do not install attachments or accessories that are not provided or recommended by the manufacturer.
- Be sure that the Safety Key is properly located before use.
- Use this product in a well-ventillated area.
- Use this product on a solid, level surface.
- Make sure that all components are fastened securely. These include the console, uprights, and handlebars.
- Keep the power cable and plug away from heated surfaces.
- Never place the power cord under carpeting or set any object on the power cord. Do not route the power cord under the treadmill. Do not pull on the power cord.
- Never walk or jog backwards on the treadmill.

SAVE THESE INSTRUCTIONS FOR FUTURE REFERENCE.

1.2 SETUP

Read the entire Operation Manual before setting up the treadmill.

FOLDING, MOVING, AND POSITIONING THE TREADMILL

The treadmill can be folded easily by means of a “gas shock” mechanism. Folding the treadmill when it is not in use frees up floor space and makes it easy to move the unit.

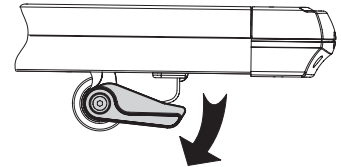
Folding the treadmill: When the treadmill is idle, set the incline grade to 0 percent, switch the unit off, and unplug it. Then, with both hands, lift the back end of the treadmill upward until it clicks and locks into place.

 **Caution: The treadmill must be set to 0% before folding. Damage may occur and the treadmill may not lock into a proper upright position.**

Moving and positioning the treadmill: Once the treadmill is folded and locked, simply roll it to the desired location. When positioning the treadmill for use, allow for a clearance area of six feet by four feet behind the treadmill to make it easy to get on and off the treadmill and to adjust the tension of the belt. See the section titled *Specifications* for the treadmill's dimensions. Also, make sure to use the treadmill on a firm, level surface.

Note: Occasionally, after extended treadmill use, a fine black dust may accumulate on the floor beneath the unit. This does not indicate that anything is wrong with the treadmill, and the dust can easily be removed with a vacuum cleaner. To prevent the dust from accumulating on floor, place a mat beneath the unit.

Unfolding the treadmill: Stand directly behind the treadmill. Support the treadmill base with the right hand, and pull and hold the release handle downward with the left hand. The handle is located on the end of the left main frame. Begin lowering the base a short distance. Let go of the release handle and, with both hands, guide the treadmill deck down to unfold it.



 **Caution: As the treadmill comes closer to the ground, it lowers at a faster rate and feels heavier.**

ELECTRICAL REQUIREMENT

Consult the chart below for electrical requirements outside the U.S. and Canada. The plug must be inserted into an electrical outlet that has been properly installed and grounded in accordance with all local codes and ordinances.

Supply Voltage (VAC)	Frequency (Hz)	Maximum Current (Amps)
120	60	12
230	50	6
240	50	6

GROUNDING INSTRUCTIONS

This product must be properly grounded. If the unit malfunctions or breaks down, proper grounding provides a path of least resistance for the electric current, which reduces the risk of shock to anyone touching or using the equipment. Each unit is equipped with an electrical cord, which includes an equipment grounding conductor and a grounding plug. The plug must be inserted into an outlet that has been properly installed and grounded in accordance with all local codes and ordinances. Use only the power cord provided with this treadmill.

DANGER: A risk of electrical shock may result from improper connection of the equipment-grounding conductor. Check with a qualified electrician if in doubt as to proper grounding technique. DO NOT modify the plug provided with the product. If it will not fit an electrical outlet, have a proper outlet installed by a qualified electrician.

STARTING UP THE TREADMILL

The On/Off switch for the treadmill is located next to the power supply cord at the front of the treadmill. To start up the treadmill, simply flip the switch to the On position (I).

The treadmill will start up only when the safety key has been properly inserted into the key-holder in the console. For more information, see section 2.3, titled *Emergency Stop System*.

GETTING ON AND OFF THE TREADMILL

With the treadmill belt idle, step on the side rails to straddle the belt. Set up a workout using the steps described in Section 4.2, titled *Using the Workouts*. When the belt is in motion, hold the handrails and carefully step onto the belt. Continue to use the handrails as necessary for stability. After completing a workout, wait until the belt is idle before stepping off.



CAUTION: Always face forward during a workout.

KEEPING THE TREADMILL DECK LUBRICATED

The treadmill deck has been pre-lubricated at the factory. However, it may require periodic lubrication throughout its usage life for optimal performance and reduced wear-and-tear on important components. With an average rate of use, which is approximately three weekly 30-minute workout sessions, the treadmill lubrication level should be checked every 9 - 12 months.

To check the lubrication level: When the treadmill is idle, reach underneath the belt, palm-side-down, as far toward the center as possible. Then, place the hand on the deck. If it is moist then it does not require lubrication. If the deck is dry, it requires lubrication.

To add lubricant: The Lube-N-Walk® Wax Kit is recommended for this treadmill. Follow the instructions included with the kit to add lubricant. Use of other lubrication kits may void the warranty. Contact the product service center for more information on the Lube-N-Walk Wax Kit. See Section 5.3 for contact information.

CENTERING THE TREADMILL BELT

With normal use, the treadmill belt periodically may tend to run off-center. To test and adjust the belt, run the treadmill at 4 mph (6.5 kph) without a user on it. To perform any centering adjustment, use the Allen wrench that was shipped with the unit, and turn the left and right roller bolts, as described below. The roller bolts are located in the back of the frame side rail.

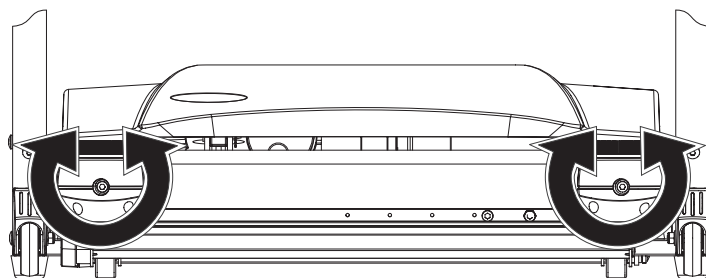
If the belt runs too far to the left: Turn the left roller bolt one quarter-turn clockwise to tighten it. Then, turn the right roller bolt on quarter-turn counterclockwise to loosen it.

If the belt runs too far to the right: Turn the right roller bolt one quarter-turn clockwise to tighten it. Then, turn the left roller bolt on quarter-turn counterclockwise to loosen it.

After performing any adjustment, continue to run the belt without a user on it for three minutes to confirm that it is centered. Repeat adjustments as necessary.



CAUTION: Never turn the bolts more than one quarter-turn at any time. Also, over-tightening the belt can shorten the belt's life considerably.



ADJUSTING THE TREADMILL BELT TENSION

As the belt stretches over time with normal use, the user may begin to feel the belt slipping across the rollers. The slipping sensation indicates that the belt requires tightening. When the belt is idle and not in use, turn each roller bolt one quarter turn clockwise to tighten it. Make sure to turn each bolt an equal amount.

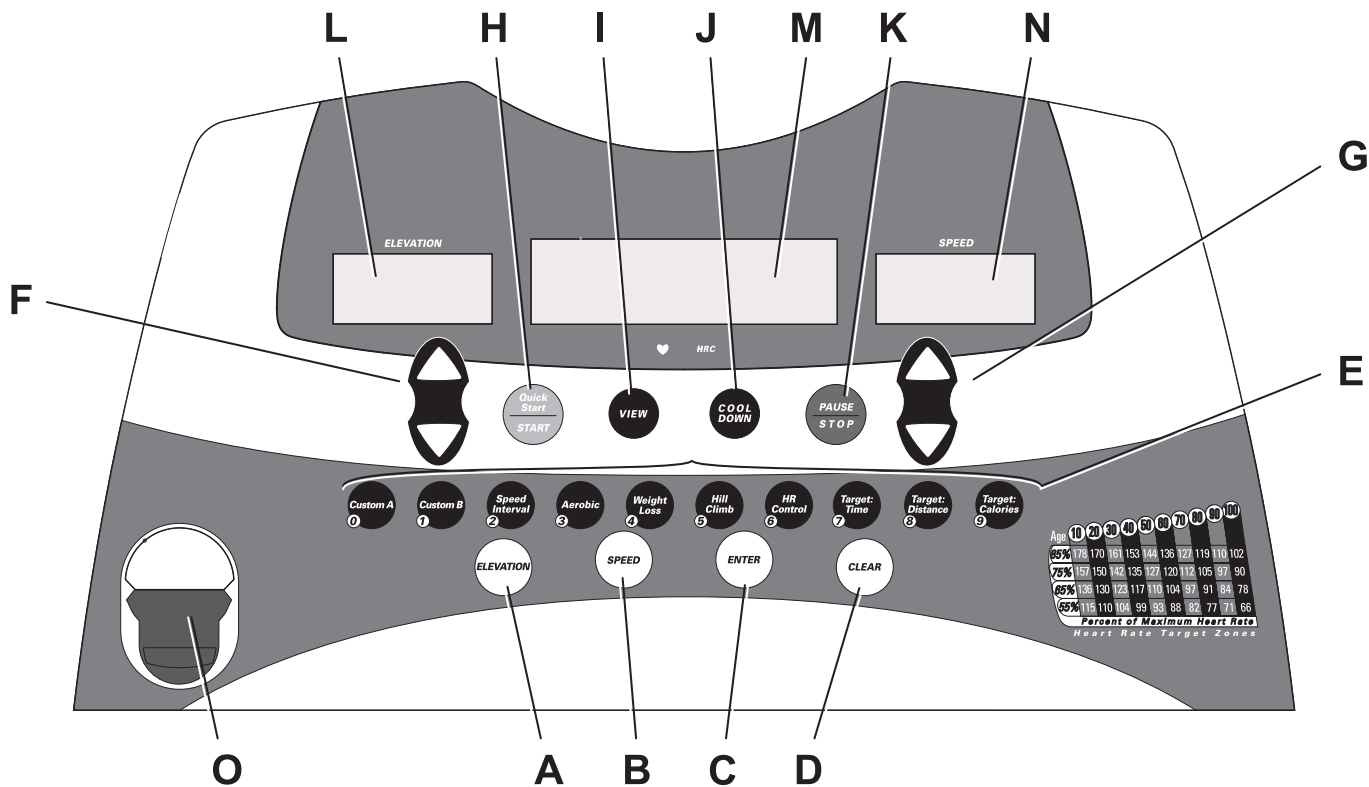
Afterward, walk on the belt while it is in motion to test the adjustment. Repeat the tightening if necessary, but do not turn the bolts more than one quarter-turn at any time.

If this adjustment does not stop the belt from slipping, call Customer Service. See section 5.3, titled *How to Obtain Product Service*.

2 THE DISPLAY CONSOLE

2.1 DISPLAY CONSOLE OVERVIEW

The computerized display console on the treadmill allows the user to tailor a workout to personal fitness abilities and goals and to monitor progress. With this easy-to-use console the user can track fitness improvement from one workout to the next.



2.2 DISPLAY CONSOLE DESCRIPTIONS


The functions for the keys and display windows on the treadmill console are listed and described in this section. See Section 4, titled *The Workouts*, for detailed information on using the console to set up workouts.

- A** ELEVATION: During a workout-in-progress, press this key to change the current elevation. Then, press the NUMERIC keys to select a new elevation.
 - B** SPEED: During a workout-in-progress, press this key to change the current speed. Then, press the NUMERIC keys to select a new speed.
 - C** ENTER: During a workout setup, press this key to accept a displayed value, such as speed or elevation.
 - D** CLEAR: During a workout setup, press this key to clear incorrect data, such as speed or elevation. When setting up a **CUSTOM PROGRAM**, use this key to clear previously saved settings as described in section 4.4, titled **CUSTOM PROGRAMS**.
 - E** WORKOUT/NUMERIC keys: During a workout setup, press one of these keys when prompted by the MESSAGE CENTER to select a workout.
 - CUSTOM A: Press this key to select the **CUSTOM A** workout if it has been pre-programmed.
 - CUSTOM B: Press this key to select the **CUSTOM B** workout if it has been pre-programmed.
 - SPEED INTERVAL: Press this key to select the **SPEED INTERVAL** workout.
 - WEIGHT LOSS: Press this key to select the **WEIGHT LOSS** workout.
 - HILL CLIMB: Press this key to select the **HILL CLIMB** workout.
 - HR CONTROL: Press this key to select the **HEART RATE CONTROL** workout.
 - TARGET TIME: Press this key to select a workout that targets a specific time duration as a goal.
 - TARGET DISTANCE: Press this key to select a workout that targets a specific distance as a goal.
 - TARGET CALORIES: Press this key to select a workout that targets a specific number of calories as a goal.
- Additionally, each of these 10 keys is labeled with a numeral, from “0” to “9”. During a workout setup, use these keys to enter numeric values, such as age or workout duration, as prompted by the MESSAGE CENTER. During a workout-in-progress, use these keys to easily enter a new numeric value after pressing the SPEED or ELEVATION key to change the current speed or elevation. The up and down arrow keys may also be used to select workout values.
- F** ELEVATION ARROW keys: Press these keys to change an elevation level while a workout is in progress.
 - G** SPEED ARROW keys: Press these keys to change an speed while a workout is in progress.
 - H** QUICK START/START: Press this key to begin a workout immediately, bypassing workout setup steps. This workout runs at a preset duration, elevation, and speed. These settings do not change automatically, but may be changed manually. Also press this key after setting up a workout to begin the workout.
 - I** VIEW: During a workout-in-progress, press this key to scroll through workout statistics as displayed in the MESSAGE CENTER.
 - J** COOL DOWN: Press this key during a workout in progress to enter a four minute cool down period. During the first two minutes of the cool down period, the current speed and elevation will be reduced by half. During the last two minutes of the cool down period, the reduced speed and elevation will be reduced by half again.
 - K** PAUSE/STOP: Press this key to pause a workout-in-progress. Press the key again to stop the workout.
 - L** ELEVATION window: This window displays the elevation of a workout-in-progress.
 - M** MESSAGE CENTER: This window displays step-by-step instructions for setting up a workout. When a workout is in progress, it displays statistics about the progress of the workout, as seen below:
 - **Time:** the time elapsed since the start of the workout.
 - **Distance:** the distance traveled since the beginning of the workout.
 - **Calories:** the number of calories burned since beginning the workout.
 - **Pulse:** the detected heart rate if the user is wearing telemetry heart rate chest strap.
 - **Percentage of Maximum Heart Rate:** the user’s heart rate expressed as a percent of the theoretical maximum heart rate[†] if the user is wearing a telemetry chest strap.
 - N** SPEED window: This window displays the current treadmill speed of a workout-in-progress.
 - O** STOP KEY: A magnetized key that cuts the main power in emergency situations.

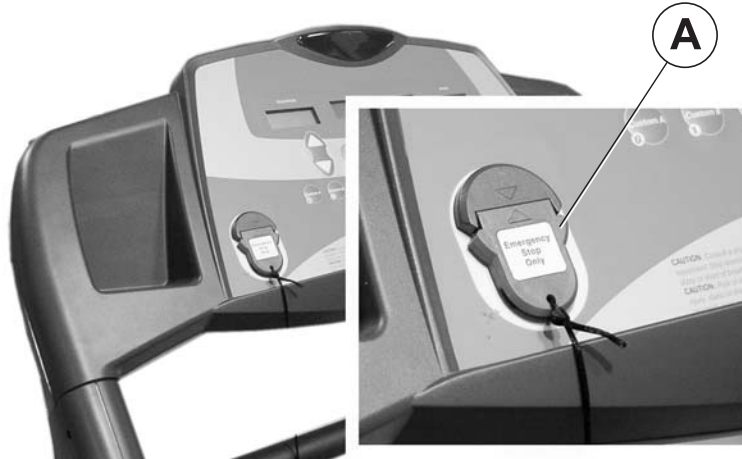
[†] Defined by the American College of Sports Medicine’s “Guidelines for Exercise Testing and Prescription” as equal to 220 minus an individual’s age.

2.3 EMERGENCY STOP SYSTEM

The treadmill features an emergency system that cuts the main power of the unit to stop the treadmill if the user falls. The system consists of a key that is inserted into a key-holder located in the lower-left side of the console. A cord and clip attached to this magnetized key is then clipped to the user. If the key is pulled out of the key-holder during a workout-in-progress, the treadmill stops immediately. Before starting a workout, attach the clip to clothing.

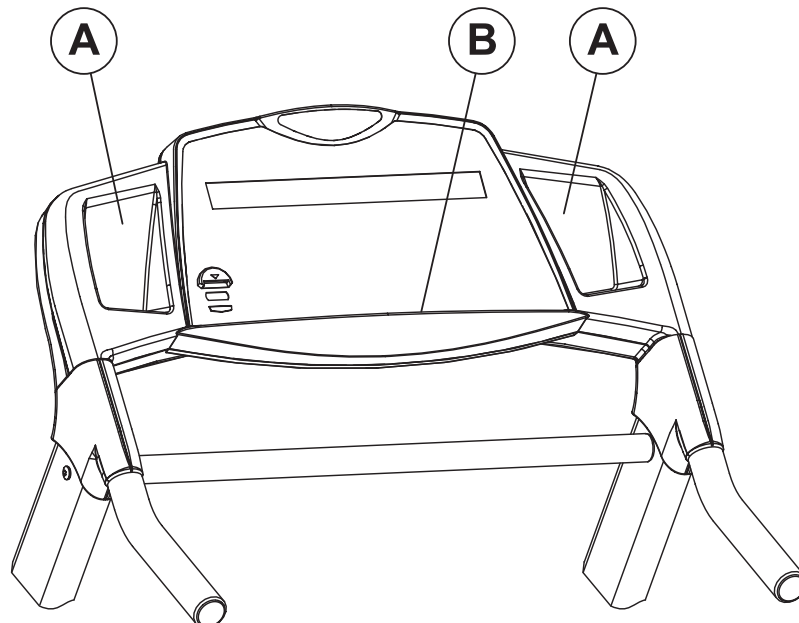
 **CAUTION: Pulling out the key brings the treadmill to an immediate, dead stop, which can be dangerous. Only pull out the key in emergencies. To stop the treadmill under routine circumstances, simply press the PAUSE/STOP key, which brings the treadmill to a gradual stop.**

Replace the key to reset the system. The treadmill will start up only when the safety key has been properly inserted into the keyholder in the console.



2.4 ACCESSORY TRAYS AND READING RACK

An accessory tray is built into each side of the console. Additionally, a reading rack is built in to the base of the console.



2.5 ENGLISH / METRIC DISPLAY

By factory default, workout statistics are displayed in English, as opposed to Metric, units. To switch to Metric units, press and hold the UP speed ARROW key, the DOWN speed ARROW key, and the "0" NUMERIC key in respective order.

3 HEART RATE ZONE TRAINING EXERCISE

3.1 WHY HEART RATE ZONE TRAINING EXERCISE?

Research shows that maintaining a specific heart rate while exercising is the optimal way to monitor the intensity of a workout and to achieve maximum results. That is the idea behind heart rate zone training approach to exercise.

Zone training identifies an exerciser's ideal heart rate range, or zone, for burning fat or increasing cardiovascular fitness. The values within the zone depend on the workout.

NOTE: Consulting a fitness trainer is recommended for defining specific fitness goals and designing a workout program.

Age	10	20	30	40	50	60	70	80	90	100
85%	178	170	161	153	144	136	127	119	110	102
75%	157	150	142	135	127	120	112	105	97	90
65%	136	130	123	117	110	104	97	91	84	78
55%	115	110	104	99	93	88	82	77	71	66

*Percent of Maximum Heart Rate
Heart Rate Target Zones*

The treadmill's **HEART RATE CONTROL** workout is designed to take full advantage of the benefits of heart rate zone training exercise. For detailed information about this workout, see Section 4, titled *The Workouts*.

During this workout, wear the telemetry heart rate chest strap to enable the treadmill's on-board computer to monitor the heart rate. The computer automatically adjusts the speed and elevation level to maintain the target heart rate* based on the actual heart rate.

For all other workouts, wearing the telemetry chest strap is optional for heart rate monitoring.

* Target Heart Rate (THR) zone is between 60 percent and 75 percent of the theoretical maximum. For example, a 40-year-old user's THR zone is between 108 and 135: $(220-20) \cdot 60 = 108$; $(220-20) \cdot 75 = 135$.

3.2 HEART RATE MONITORING

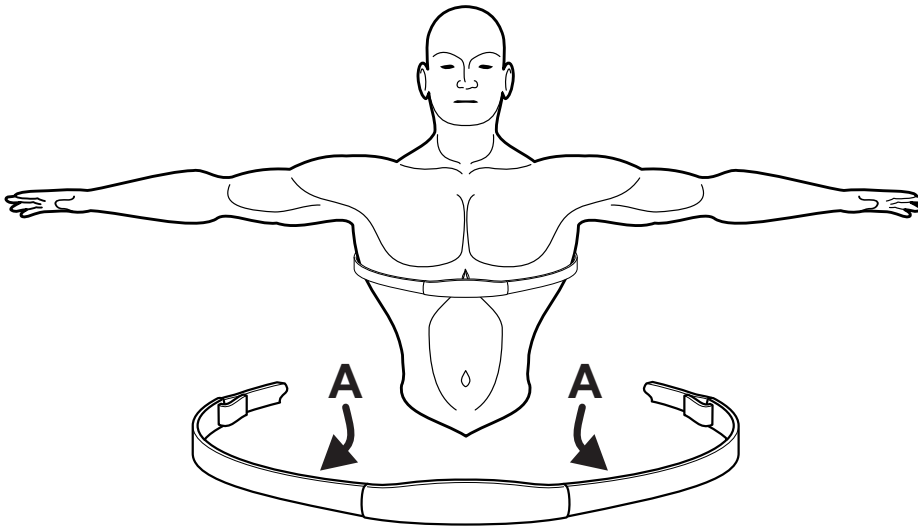
THE TELEMETRY HEART RATE CHEST STRAP

The treadmill is equipped with telemetry, a heart rate monitoring system in which electrodes, pressed against the skin, transfer heart rate signals to the treadmill console. These electrodes are attached to a telemetry heart rate chest strap that the user wears during the workout. The chest strap is included with the treadmill.

See the diagram below for correct positioning of the strap. The electrodes (A), which are the two grooved surfaces on the underside of the strap, must remain wet to transmit accurately the electrical impulses of the heart back to the receiver. Moisten the electrodes. Then, secure the strap as high under the chest muscles as possible. The strap should be snug, but comfortable enough to allow for normal breathing.

The transmitter strap delivers an optimal heart rate reading when the electrodes are in direct contact with skin. However, it also functions properly through a thin layer of wet clothing.

If it becomes necessary to re-moisten the chest strap electrodes, grasp the center of the strap, pull it away from the chest to expose the two electrodes, and moisten them.



4 THE WORKOUTS

4.1 WORKOUT OVERVIEWS

This section lists the treadmill's pre-programmed workouts. For more detailed information, see Section 4.2, titled *Using the Workouts*.

SPEED INTERVAL alternates intervals of high and low speeds.

AEROBIC also alternates intervals of high and low speeds, but the low intervals are higher than those of **SPEED INTERVAL**.

WEIGHT LOSS alternates uniformly high and low elevations.

HILL CLIMB also alternates high and low elevations, building gradually to a peak.

HEART RATE CONTROL alters speed and elevation to maintain the user's entered target heart rate.*

TARGET TIME targets a specific time duration as a goal.

TARGET DISTANCE targets a specific distance as a goal.

TARGET CALORIES targets a specific number of calories as a goal.

CUSTOM WORKOUTS (A and B): The user may pre-set up to two workouts with personal setup information, such as age, time duration, and elevation, and then store the workouts in the console memory. For more information, see section 4.4, titled *Custom Workouts*.

4.2 USING THE WORKOUTS

Different workouts require different setup steps. See the chart titled *Treadmill Workout Set-up Steps*, which appears later in this section, for a quick glance at the steps for setting up any workout. This section provides details on the steps themselves.

TO BEGIN ANY WORKOUT SETUP

Switch on the treadmill. Then, make sure that the emergency stop key is properly inserted into the key-holder, and clip the key cord to clothing.

SELECTING QUICK START

QUICK START is the fastest way to begin exercising, and it bypasses the steps involved in selecting a specific workout. Once **QUICK START** is selected, a workout begins at the default elevation of 0 percent and the default speed of .6 mph (1 kph) speed. These settings can be changed manually during the workout. The workout lasts for 30 minutes.

SELECTING A WORKOUT

At the MESSAGE CENTER prompt, press one of the numeric workout keys for the desired workout. The MESSAGE CENTER displays a profile of the workout. Press the ENTER key to accept the workout, or simply press another WORKOUT key to select another workout.

For **CUSTOM WORKOUTS**, once a workout is configured and saved, no further setup steps are necessary. For more information, see Section 4.4, titled *Custom Workouts*.

* Target Heart Rate (THR) zone is between 60 percent and 75 percent of the theoretical maximum. For example, a 40-year-old user's THR zone is between 108 and 135: $(220-20) \cdot 60 = 108$; $(220-20) \cdot 75 = 135$.

ENTERING NUMERIC VALUES DURING A WORKOUT SETUP

After a workout is selected, the MESSAGE CENTER displays prompts to enter certain values, depending on the workout type. At these prompts, simply use the the NUMERIC KEYS to enter the number, and press ENTER.

- **Age:** The treadmill's computer uses this value to calculate the user's target heart rate.
- **Duration:** The maximum possible workout duration is 99 minutes. The workout duration determines the duration of the individual intervals. Each workout consists of 15 intervals of equal length. The length of each interval in a 30-minute workout, for example, is two minutes.
- **Maximum speed:** For **SPEED INTERVAL** and **AEROBIC** workouts, which alternate between slower and faster intervals, the maximum speed chosen is the value for the faster intervals. The highest possible speed is 10 mph (16 kmh). The treadmill computer automatically selects the speed for the slower interval based on the maximum speed.
- **Maximum elevation:** For **WEIGHT LOSS** and **HILL CLIMB** workouts, which alternate between higher and lower elevations, the maximum elevation chosen is the value for the the higher intervals. Elevation grades range in .5 percent increments from 0 percent to 10 percent. The treadmill computer automatically selects the elevation for the lower-elevation interval based on the maximum elevation.
- **Warm-up time:** The **HEART RATE CONTROL** workout begins with a warm-up period. Choose a warm-up period of 3 to 7 minutes.
- **Warm-up speed:** During the warm-up period for a **HEART RATE CONTROL** workout, a user-selected, low speed gradually elevates the heart rate. Using the numeric keys, select a speed from 1 to 5 mph (1 to 6 kph).
- **Target distance:** The maximum possible distance is 30 miles (50 kilometers).
- **Target calories:** A range of possible values from 20 to 999 calories.

ACCEPTING OR CHANGING THE TARGET HEART RATE*

During the setup for a **HEART RATE CONTROL** program, which requires the user to wear a telemetry heart rate chest strap, the MESSAGE CENTER displays a target heart rate based on the user's age. Either accept the displayed value (60% of theoretical max) by pressing ENTER, or change the value using the NUMERIC keys, and then press ENTER. The target heart rate cannot be changed during a workout-in-progress.

NOTE: The computer does not accept an entered value that is above the user's theoretical maximum heart rate[†].

ADJUSTING THE ELEVATION FOR A WORKOUT-IN-PROGRESS

During a workout, change the elevation one of two ways:

- Press the ELEVATION key and then entering a new value with the NUMERIC keys. Then press ENTER.
- OR
- Press the ELEVATION ARROW keys to increase or decrease the elevation.

ADJUSTING THE SPEED FOR A WORKOUT-IN-PROGRESS

During a workout, change the speed one of two ways:

- Press the SPEED key and then entering a new value with the NUMERIC keys. Then press ENTER.
- OR
- Press the SPEED ARROW keys to increase or decrease the speed.

PAUSING A WORKOUT

To pause a workout in progress, press the PAUSE/STOP key. Press the START key to resume the workout. The maximum pause duration is three minutes. If a paused workout is not resumed within that time, the computer deletes the in-progress workout information and returns to a workout setup state.

[†] Defined by the American College of Sports Medicine's "Guidelines for Exercise Testing and Prescription" as equal to 220 minus an individual's age.

* Target Heart Rate (THR) zone is between 60 percent and 75 percent of the theoretical maximum. For example, a 40-year-old user's THR zone is between 108 and 135: $(220-20) \cdot 60 = 108$; $(220-20) \cdot 75 = 135$.

ENDING A WORKOUT EARLY

It is possible to end a workout immediately before the pre-set duration expires. To do so, press the STOP key twice. The MESSAGE CENTER displays the completed time, total distance, and total calories burned. Press the STOP key again to reset the console and set up a new workout.

It also is possible to initiate an early, but more gradual, end to a workout-in-progress by going into a cool-down mode. This period of diminishing speed and elevation allows the user's exertion level to decrease steadily. To initiate a cool-down before the pre-set duration expires, press COOL DOWN key. The workout immediately goes into a four-minute cool-down mode. For the first two minutes, the speed and elevation decrease to 50 percent of the values of the workout-in-progress. For the final two minutes, the speed and elevation decrease another 50 percent. After the cool-down period, the workout ends. The MESSAGE CENTER displays the completed time, total distance, and total calories burned. Press the STOP key again to reset the console and set up a new workout.



Caution: The treadmill elevation must be set to 0% before folding the treadmill. Damage may occur and the treadmill may not lock into a proper upright position.

VIEWING WORKOUT STATISTICS

When a workout is in progress, the ELEVATION window continuously displays the current elevation, and the SPEED window continuously displays the current speed. The MESSAGE CENTER displays the user's progress as points on a track.

The MESSAGE CENTER also displays the time remaining in the duration. To scroll through other statistics of the workout-in-progress, press the VIEW key. Each time this key is pressed, the MESSAGE CENTER displays one of the following values:

- **Distance**
- **Calories burned**
- **Pulse** (if the user is wearing the telemetry chest strap)
- **Percent of maximum heart rate** (if the user is wearing the telemetry chest strap)

At the end of the workout duration or manually-selected cool-down, the MESSAGE CENTER displays the completed time, total distance, and total calories burned.

Note: By factory default, workout statistics are displayed in English, as opposed to Metric, units. To switch to Metric units, press and hold the UP speed ARROW key, the DOWN speed ARROW key, and the "0" NUMERIC key in respective order.

TREADMILL WORKOUT SETUP STEPS

QUICK START

Select QUICK START
Enter AGE
Begin workout

SPEED INTERVAL

Select SPEED INTERVAL
Enter age
Enter duration
Select maximum speed
Press START
Begin workout

AEROBIC

Select AEROBIC
Enter age
Enter duration
Select maximum speed
Press START
Begin workout

WEIGHT LOSS

Select WEIGHT LOSS
Enter age
Enter duration
Select maximum elevation
Press START
Begin workout

HILL CLIMB

Select HILL CLIMB
Enter age
Enter duration
Select maximum elevation
Press START
Begin workout

HEART RATE CONTROL*

Select HEART RATE CONTROL
Enter AGE
Enter time
Enter WARM-UP TIME
Enter WARM-UP SPEED
Accept THR**
Press START
Begin workout

TARGET TIME

Select TARGET: TIME
Enter age
Enter duration
Press START
Begin workout

TARGET DISTANCE

Select TARGET: DISTANCE
Enter age
Enter distance
Press START
Begin workout

TARGET CALORIES

Select TARGET: CALORIES
Enter age
Enter calories
Press START
Begin workout

CUSTOM WORKOUTS

(These must be pre-set first; see Section 4.2 for details)

Select CUSTOM WORKOUT A or CUSTOM WORKOUT B
Enter AGE
Accept TIME
Press START
Begin workout

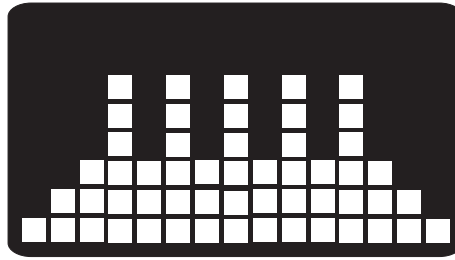
* This workout requires the user to wear the telemetry chest strap.

** Target Heart Rate (THR) zone is between 60 percent and 75 percent of the theoretical maximum. For example, a 40-year-old user's THR zone is between 108 and 135: $(220-20) \cdot 60 = 108$; $(220-20) \cdot 75 = 135$.

4.3 WORKOUT DESCRIPTIONS

SPEED INTERVAL

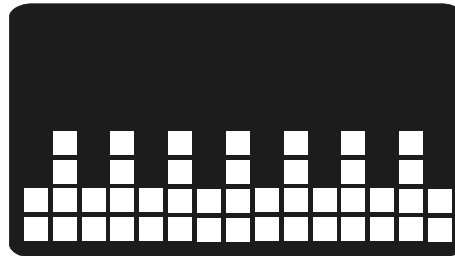
This program alternates intervals of high and low speeds. As the profile diagram indicates, the speed gradually increases in the early stage. The main section of the workout consists of high- and low-speed intervals. The contrast between speeds is sharper than in the **AEROBIC** workout. In the final stage, the speed gradually declines.



Speed Interval profile

AEROBIC

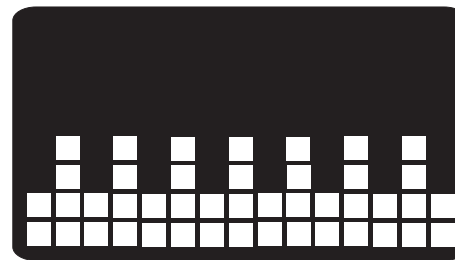
This program alternates intervals of high and low speeds. As the profile diagram indicates, the speed gradually increases in the early stage. The main section of the workout consists of high- and low-speed intervals. The contrast between speeds is more subtle than in the **SPEED INTERVAL** workout. In the final stage, the speed gradually declines.



Weight loss profile

WEIGHT LOSS

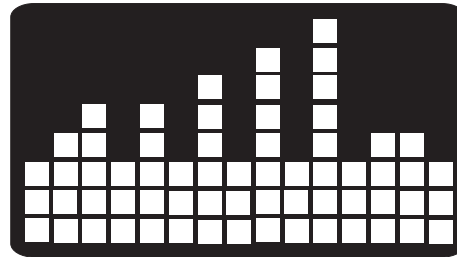
This program alternates intervals of high and low elevations. Unlike the **HILL CLIMB** workout, the high intervals are uniform in elevation, as are the low intervals.



Weight loss profile

HILL CLIMB

This program alternates intervals of high and low elevations. Unlike the **FAT BURN** workout, the high intervals build to a peak and then gradually decline.



Hill climb profile

HEART RATE CONTROL

In this program the treadmill will activate according to your warm up speed for the duration that you have requested. Treadmill will automatically adjust by speed or elevation to achieve and maintain your target heart rate. After the warm up time, it will take about 3-5 minutes to reach your target heart rate. Your heart rate will be maintained at +/- 5 beats of your target heart rate.

When the monitor picks up your heart beat signal, the heart under the viewing display will light up and blink. When you have reached your target heart rate, the HRC next to the heart will light up.

See section 4.2 for more information regarding accepting or changing the target heart rate.

TARGET TIME

This workout targets a specific time duration as a goal. By default, the elevation or speed for this workout do not change automatically, but may be changed manually with the **SPEED** or **ELEVATION ARROW** keys. Once the duration target is achieved, the workout ends.

TARGET DISTANCE

This workout targets a specific distance as a goal. By default, the elevation or speed for this workout do not change automatically, but may be changed manually with the **SPEED** or **ELEVATION ARROW** keys. Once the distance target is achieved, the workout ends.

TARGET CALORIES

This workout targets a specific number of calories burned as a goal. By default, the elevation or speed for this workout do not change automatically, but may be changed manually with the **SPEED** or **ELEVATION ARROW** keys. Once the calorie target is achieved, the workout ends.

4.4 CUSTOM WORKOUTS

The user may pre-set up to two workouts with personal setup information, such as workout type and age, and then store the workouts in the console memory. Then, in future workouts, the user can select one of these **CUSTOM WORKOUTS** and begin exercising immediately.

SETTING UP AND USING CUSTOM WORKOUTS FOR THE FIRST TIME

CUSTOM WORKOUTS must be set up before they can be used. The **SPEED** and **INCLINE** settings are saved throughout the program. To set up a **CUSTOM WORKOUT**:

1. With the treadmill powered up and the safety key engaged, press the **CUSTOM A** or **CUSTOM B** key.
2. Press **ENTER**.
3. Enter age when prompted by the **MESSAGE CENTER**.
4. Enter the duration when prompted by the **MESSAGE CENTER**.
5. Press **START**.

The treadmill computer stores one change in speed or incline per minute. A total of 15 speed or incline changes may be saved throughout the workout.

CHANGING EXISTING CUSTOM WORKOUT SETTINGS

Once a **CUSTOM WORKOUT** has been set up, it can be reset or changed as desired. To change existing settings for one of the two **CUSTOM WORKOUTS**:

1. Change the workout duration during setup. Doing so prompts the computer to erase all the settings for the workout.
2. Set up the workout as described above in *Setting Up Custom Workouts for the First Time*.
OR
1. With the treadmill powered up and the safety key engaged, press the CUSTOM A or CUSTOM B key.
2. Press the CLEAR key.
3. The MESSAGE CENTER displays the prompt, "CLEAR PROGRAM? YES". Press CLEAR again.
4. Press ENTER. The computer memory is cleared of the workout information.
5. Set up a new workout as described above in *Setting Up Custom Workouts for the First Time*.

5 SERVICE AND TECHNICAL DATA

5.1 PREVENTATIVE MAINTENANCE TIPS

Use a vacuum cleaner or a slightly damp cloth to remove dust from the treadmill periodically.



WARNING: Do not use any solvents on the deck or running belt, as these can reduce lubrication.

NOTE: Safety of the equipment can be maintained only if the equipment is examined regularly for damage or wear. Keep the equipment out of use until defective parts are repaired or replaced.

- Check the operation of the Stop key once a week.
- Also, fold up the treadmill and vacuum the floor beneath and around it periodically to prolong the life of the unit.

5.2 TROUBLESHOOTING THE TELEMETRY HEART RATE CHEST STRAP

HEART RATE READING IS ERRATIC OR ABSENT ENTIRELY

- Repeat the electrode moistening procedure on the chest strap. See Section 3.2, titled *Heart Rate Monitoring* for details. The electrodes must remain wet to pick up and transmit accurate heart rate readings.
- Make sure the electrodes are flat against the skin.
- Wash the belt transmitter regularly with mild soap and water.
- Make sure the chest strap transmitter is within three feet (91 centimeters) of the console.
- The chest strap is battery-operated and will stop functioning when the battery runs out. Contact Customer Support Services for instructions on how to have the chest strap replaced. See Section 5.3, titled *How to Obtain Product Service*.

HEART RATE READING IS ERRATIC OR EXTREMELY HIGH

If the chest strap is worn near sources of electromagnetic signals, these signals may be strong enough to elevate heart rate readings. Possible sources include:

- Television sets and/or antennas, cell phones, computers, cars, high voltage power lines and other motor driven exercise equipment.
- Another heart rate transmitter within three feet, or one meter, may also cause abnormal heart rate readings.

5.3 WHEN AND HOW TO OBTAIN PRODUCT SERVICE

IDENTIFYING PROBLEMS

In the event of an electrical failure, the treadmill shuts down immediately.

Generally speaking, if the console's displays or programs do not function properly, try switching it off and on. Doing so often clears problems by resetting the treadmill computer's memory. If restarting the treadmill does not eliminate the problem, call Customer Support.

- **No signal on the monitor LCD windows:** It is often possible to correct this problem by restarting the treadmill. If not, check the communication cable between the monitor and motor controller, and make sure that the cable isn't pinched or damaged.
- **Displayed "ERROR 1-SPEED SENSOR ERROR":** This indicates that the computer is not picking up the motor speed signal. Note whether the belt moves at all when the START key is pressed. If so, note whether the motor stops at low speeds, such as .6 mph to 1 mph (1.0kmh to 1.5 kmh) or high speeds, such as 6 mph to 8 mph (10kmh to 12 kmh). These details are important in helping Customer Service diagnose and solve the problem.
- **Displayed "ERROR 2-OVER SPEED ERROR":** This problem actually is a safety function referred to as "run away protection". When the belt speed exceeds the computer's speed detection range, the treadmill motor shuts down, and the MESSAGE CENTER displays the Error 2 message. In this case, simply restart the treadmill. If the MESSAGE CENTER displays this message before the unit is ever used, or if the MESSAGE CENTER displays this message at speeds within the detection range, the mechanism is damaged.

- **Displayed “ERROR 3-SAFETY KEY TETHER ERROR”:** This indicates that the Emergency Stop Key is not correctly inserted into the keyholder. Make sure that the key is properly inserted.
- **Displayed “ERROR 5-INCLINE ERROR”:** This indicates that the incline motor, which creates workout elevations, is not functioning properly. It may be over-loaded or over-heated. To test this, wait until the motor cools down, and try working out again. Other sources of the problem may be that the sensor connection cable is defective, the sensor itself may be damaged, or the incline motor itself is damaged.
- **Displayed “ERROR 11-COMMUNICATION ERROR”:** It is often possible to correct this problem by restarting the treadmill. If not, check the communication cable between the monitor and motor controller, and make sure that the cable isn't pinched or damaged.

OBTAINING SERVICE

1. Verify the symptom and review the operating instructions. The problem may be unfamiliarity with the product and its features and workouts.
2. Locate and write down the serial number of the unit, which is located at the front of the frame.
3. Contact Life Fitness Customer Support Services via the Web at: www.lifefitness.com, or call the nearest Life Fitness Customer Support Services group:

For Product Service within
the United States and Canada:

Telephone: (+1) 847.451.0036
FAX: (+1) 847.288.3702
Toll-free telephone: 800.351.3737

For Product Service Internationally:

Life Fitness Europe GmbH
Telephone: (+49) 089.317.751.66
FAX: (+49) 089.317.751.38

Life Fitness (UK) LTD
Telephone: (+44) 1353.665507
FAX: (+44) 1353.666018

Life Fitness Atlantic BV
Life Fitness Benelux
Telephone: +31 (0) 180 64 66 66
FAX: +31 (0) 180 64 66 99

Life Fitness Italia S.R.L.
Telephone: (+39) 0472.835.470
FAX: (+39) 0472.833.150
Toll-free telephone: 800.438836

Life Fitness Vertriebs GmbH
Telephone: (+43) 1615.7198
FAX: (+43) 1615.7198.20

Life Fitness Asia Pacific Ltd
Telephone: (+852) 2891.6677
FAX: (+852) 2575.6001

*Life Fitness Latin America
and Caribbean*
Telephone: (+1) 847.288.3964
FAX: (+1) 847 288.3886

Life Fitness Brazil
Telephone: (+55) 11.7295.2217
FAX: (+55) 11.7295.2218

Life Fitness Japan
Telephone: (+81) 3.3359.4306
FAX: (+81) 3.3359.4307

Life Fitness Iberia
Telephone : (+34) 93 672 4660
FAX : (+34) 93 672 4670

5.4 TREADMILL SPECIFICATIONS

Designed use:	Consumer
Maximum user weight:	300 pounds / 136 kilograms
Motor:	2.0 hp continuous duty Leeson
Power requirements:	All major power requirements available
Rollers:	2.6" / 6.7 cm crowned front 2.0" / 5 cm crowned back
Striding belt:	19.5" x 54" / 49.5 cm x 136 cm; anti-static
Cushioning system:	Rubber isolation mounts Deck hard-mounted to frame in back
Deck type:	1" / 25.4 mm non-reversible, one-sided laminate
Front handrail:	Standard with black foam grip
Side handrails:	Standard with black foam grips
Stop systems:	Emergency Stop key and mechanical switch emergency stop system
CONSOLE:	
Displays:	Two LCD windows for Time and Elevation; LCD MESSAGE CENTER with Time, Distance, Calories, Pulse, Percentage of Maximum Heart Rate
Summaries:	Total elapsed time of workout, total calories burned, total distance
WORKOUTS:	Quick Start, Speed Interval, Aerobic, Weight Loss, Hill Climb, Heart Rate Control, Target Time, Target Distance, Target Calories, two Custom Workouts
Heart rate monitor:	Telemetry heart rate monitoring system Telemetry heart rate monitoring chest strap included
Elevation range:	0 percent to 10 percent in .5 percent increments
Workout duration range:	0 to 99 minutes
Calorie range:	0 to 999 calories
Pulse range:	40 to 240 beats per minute
Distance range:	0 to 30 miles / 0 to 50 kilometers
Speed range:	0.6 to 10 mph / 1 to 16 kmh
Accessory Tray:	Standard
Color:	Silver frame; Blue shrouds with gray accents
ASSEMBLED DIMENSIONS (UNFOLDED):	
Length	76.4 inches / 194 centimeters
Width	32.7 inches / 83 centimeters
Height	56.7 inches / 144 centimeters
ASSEMBLED DIMENSIONS (FOLDED)	
Length	39.5 inches / 100.3 centimeters
Width	32.7 inches / 83 centimeters
Height	68.1 inches / 173 centimeters
ASSEMBLED WEIGHT:	253 pounds / 115 kilograms
SHIPPING DIMENSIONS:	
Length	80 inches / 203.2 centimeters
Width	36 inches / 91.4 centimeters
Height	11 inches / 28 centimeters
Weight	275 pounds / 125 kilograms