

Limited Lifetime Warranty

iHome Products, a division of SDI Technologies Inc. (hereafter referred to as SDI Technologies), warrants this product to be free from defects in workmanship and materials, under normal use and conditions, for the lifetime of the product from the date of original purchase.

Should this product fail to function in a satisfactory manner, it is best to first return it to the store where it was originally purchased. Should this fail to resolve the matter and service still be required by reason of any defect or malfunction during the warranty period, SDI Technologies will repair or, at its discretion, replace this product without charge (except for a \$10.00 charge for handling, packing, return UPS/postage, and insurance). This decision is subject to verification of the defect or malfunction upon delivery of this product to the Factory Service Center listed below. The product must include proof of purchase, including date of purchase. The fee for service without proof of purchase is \$20.00.

Before returning this product for service, please first replace the batteries (if applicable) with fresh ones, as exhausted or defective batteries are the most common cause of problems encountered.

If service is still required:

1. Remove the batteries (if applicable) and pack the unit in a well padded, heavy corrugated box.
2. Enclose a photocopy of your sales receipt, credit card statement, or other proof of the date of purchase, if within the warranty period.
3. Enclose a check or money order payable to the order of SDI Technologies, for the sum of \$10.00 (\$20.00 without proof of purchase).
4. Send the unit prepaid and insured, to the Factory Service Center listed below.

Consumer Repair Department

SDI Technologies Inc.
1330 Goodyear Drive
El Paso, TX 79936-6420

Disclaimer of Warranty

NOTE: This warranty is valid only if the product is used for the purpose for which it was designed. It does not cover (i) products which have been damaged by negligence or willful actions, misuse or accident, or which have been modified or repaired by unauthorized persons; (ii) cracked or broken cabinets, or units damaged by excessive heat; (iii) damage to digital media players, CD's or tape cassettes (if applicable); (iv) the cost of shipping this product to the Factory Service Center and its return to the owner.

This warranty is valid only in the United States of America and does not extend to owners of the product other than to the original purchaser. In no event will SDI Technologies or any of its affiliates, contractors, resellers, their officers, directors, shareholders, members or agents be liable to you or any third party for any consequential or incidental damages, any lost profits, actual, exemplary or punitive damages. (Some states do not allow limitations on implied warranties or exclusion of consequential damages, so these restrictions may not apply to you.) This warranty gives you specific legal rights, and you may also have other rights which vary from state to state.

Your acknowledgement and agreement to fully and completely abide by the above mentioned disclaimer of warranty is contractually binding to you upon your transfer of currency (money order, cashier's check, or credit card) for purchase of your SDI Technologies product.

© 2012 SDI Technologies, Inc. All rights reserved

Questions? Visit www.ihomeaudio.com or call 1-800-288-2792 Toll Free.



Model: iB50

Over Ear Active Noise Cancelling Headphones with Volume Control



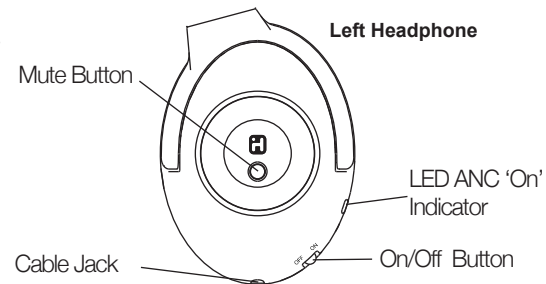
The Home iB50 headphones include Active Noise Cancellation circuitry designed to reduce or eliminate certain background noises, such as airplane engine noise, to give you a quieter, more enjoyable listening experience. When the ANC circuit is switched 'On', a microphone inside each earpiece 'listens' for extraneous noise that is not part of your music, and the ANC circuit then generates an opposite sound wave designed to eliminate or greatly reduce the extraneous noise. The ANC circuit is powered by two "AAA" batteries, included.

Using your iHome iB50 Headphones

Installing The Batteries

Although the headphones can be used without batteries, the Active Noise Cancellation circuit will not operate unless the batteries are properly installed.

Note: The ANC On/Off switch was set to the 'Off' position at our factory.



The battery compartment is located inside the R earpiece. To open the battery compartment cover, press with your thumb at the top of the cover as shown to release the locking tab and slide the cover downward to remove it.

Insert the two “AAA” batteries into the battery compartment as shown. Be sure to install the batteries in the correct polarity (+/-) according to the markings in the battery compartment. If the batteries are inserted incorrectly the ANC circuit will not operate.

After installing the batteries, replace the battery compartment cover and make sure it is completely flat against the earpiece with no gap at the bottom.

Batteries information

- Do not mix old and new batteries.
- Do not mix alkaline, standard (carbone-zinc) or rechargeable (nickel-cadmium) batteries.

Replacing the Batteries

The two “AAA” batteries should provide over 60 hours of continuous operation with the ANC circuit ‘On’. If you notice that the ANC circuit is no longer providing any noticeable noise reduction, or that the ANC LED indicator does not turn ‘On’, it’s time to replace the batteries.

We recommend that you use a well-known brand of alkaline batteries for longest life and best performance.

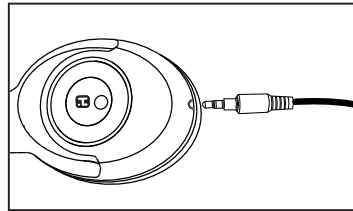
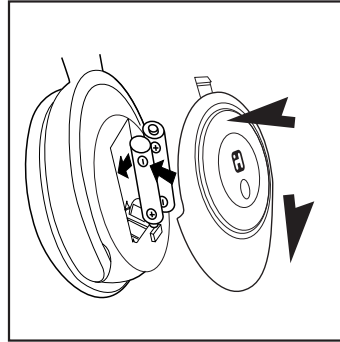
Follow the ‘Installing The Batteries’ instructions above to replace the batteries.

Connect The Detachable Cable

Connect the detachable headphone cable to the jack on the bottom of the L earpiece. The cable should be connected with the in-line volume control closest to the L earpiece as shown. Make sure that the plug is fully inserted into the jack. If the plug is not fully inserted the sound may be intermittent, or you may only hear sound from one of the earpieces.

Note: The volume control on the cable was set at ‘Maximum’ at our factory.

Connect the other end of the detachable cable to the headphone jack of your external music source such as an iPod, iPhone, iPad, MP3 player, personal CD player, etc. Again, make sure that the plug on the detachable cable is fully inserted into the headphone jack of your external music source.



Listening to Music

- Before putting on your headphones, we recommend that you rotate the volume control on the headphone cable counter-clockwise until it is approximately half way between the Minimum and Maximum levels.
- Begin playback of your external music source and adjust the volume level of your external device to approximately 50% of maximum volume.
- Place the iB50 headphones on your head according to the L and R markings on the earpieces. When worn properly the detachable cable will be on your left side. Slide the L and R earpieces up or down to achieve the most comfortable fit.
- Adjust the volume controls on the headphone cable and your external device to a comfortable listening level. Note: If one control is set too high and the other is set too low, the sound may be distorted.
- To reduce or eliminate extraneous noise, such as the engine roar in an airplane cabin, slide the ANC On/Off switch the ‘On’ position. The ANC LED indicator turns red when the ANC circuit is ‘On’.
- When you are finished listening slide the ANC switch to the ‘Off’ position to extend the life of the batteries. The ANC LED indicator goes ‘Off’. Also remember to shut off the power of your external music source.

Using The Mute Button (Only When ANC is 'On')

Depress the Mute button on the L earpiece to temporarily shut off the sound so that you can hear someone speaking to you without removing the headphones. Release the Mute button to resume normal operation.

Using the 2-Prong Airline Adapter

Some older aircraft have audio/visual systems that use dual headphone jacks in the armrests of their seats. To use your iB50 headphones with this type of A/V system, insert the plug of the headphone cable into the jack of the included 2-prong adapter as shown and insert the 2-prong adapter into the dual jacks in the armrest of your seat.



Travel Pouch

To keep your headphones clean, store them in the included travel pouch when not in use. The L and R earpieces fold flat for convenient storage.