



---

## COMPACT REFRIGERATOR

### Use & Care Guide

For questions about features, operation/performance, parts or service,  
call: 1-866-568-0386 in the U.S.; in Canada, 1-866-457-1539.

or visit our website at...  
[www.whirlpool.com](http://www.whirlpool.com) or [www.whirlpool.ca](http://www.whirlpool.ca)

---

## REFRIGERADOR COMPACTO

### Manual de uso y cuidado

Para consultas sobre características, operación/desempeño, partes o servicio,  
llame al: 1-866-568-0386 en EE.UU. o 1-866-457-1539 en Canadá.

o visite nuestro sitio de internet en...  
[www.whirlpool.com](http://www.whirlpool.com)

---

## RÉFRIGÉRATEUR COMPACT

### Guide d'utilisation et d'entretien

Au Canada, pour assistance, composez le 1-866-568-0386

ou visitez notre site web à...  
[www.whirlpool.ca](http://www.whirlpool.ca)

---

Table of Contents/Índice/Table des matières ..... 2

---

## Table of Contents / Índice / Table des matières

ASSISTANCE OR SERVICE ..... 2	AYUDA O SERVICIO TÉCNICO ..... 11	ASSISTANCE OU SERVICE ..... 20
REFRIGERATOR SAFETY ..... 2	SEGURIDAD DEL REFRIGERADOR ..... 11	SÉCURITÉ DU RÉFRIGÉRATEUR ..... 20
INSTALLATION INSTRUCTIONS ..... 3	INSTRUCCIONES DE INSTALACIÓN ..... 12	INSTRUCTIONS D'INSTALLATION ..... 21
REFRIGERATOR USE ..... 6	USO DE SU REFRIGERADOR ..... 15	UTILISATION DU RÉFRIGÉRATEUR ..... 24
REFRIGERATOR FEATURES ..... 6	CARACTERÍSTICAS DEL REFRIGERADOR ..... 15	CARACTÉRISTIQUES DU RÉFRIGÉRATEUR ..... 24
DOOR FEATURES ..... 7	CARACTERÍSTICAS DE LA PUERTA ..... 16	CARACTÉRISTIQUES DE LA PORTE ..... 25
REFRIGERATOR CARE ..... 7	CUIDADO DE SU REFRIGERADOR ..... 16	ENTRETIEN DU RÉFRIGÉRATEUR ..... 25
TROUBLESHOOTING ..... 9	SOLUCIÓN DE PROBLEMAS ..... 18	DÉPANNAGE ..... 27
WARRANTY ..... 10	GARANTÍA ..... 19	GARANTIE ..... 28

### Assistance or Service

If you need assistance or service, first see the "Troubleshooting" section. Additional help is available. Call us at 1-866-568-0386 from anywhere in the U.S.A. In Canada, call 1-866-457-1539.

Keep this book and your sales slip together for future reference. You must provide proof of purchase or installation date for in-warranty service.

Write down the following information about your appliance to help you obtain assistance or service if you ever need it. You will need to know your complete model number and serial number. You can find this information on the model and serial number plate, located on the back, top, left-hand corner of the refrigerator.

Dealer name \_\_\_\_\_  
 Serial number \_\_\_\_\_  
 Address \_\_\_\_\_  
 Phone number \_\_\_\_\_  
 Model number \_\_\_\_\_  
 Purchase date \_\_\_\_\_

## REFRIGERATOR SAFETY

### Your safety and the safety of others are very important.

We have provided many important safety messages in this manual and on your appliance. Always read and obey all safety messages.



This is the safety alert symbol.

This symbol alerts you to potential hazards that can kill or hurt you and others.

All safety messages will follow the safety alert symbol and either the word "DANGER" or "WARNING."

These words mean:

**DANGER**

**You can be killed or seriously injured if you don't immediately follow instructions.**

**WARNING**

**You can be killed or seriously injured if you don't follow instructions.**

All safety messages will tell you what the potential hazard is, tell you how to reduce the chance of injury, and tell you what can happen if the instructions are not followed.

### IMPORTANT SAFETY INSTRUCTIONS

**WARNING:** To reduce the risk of fire, electric shock, or injury when using your refrigerator, follow these basic precautions:

Plug into a grounded 3 prong outlet.

Do not remove ground prong.

Do not use an adapter.

Do not use an extension cord.

Disconnect power before servicing.

Replace all parts and panels before operating.

Remove doors from your old refrigerator.

Use nonflammable cleaner.

Keep flammable materials and vapors, such as gasoline, away from refrigerator.

Use two or more people to move and install refrigerator.

**SAVE THESE INSTRUCTIONS**

## Proper Disposal of Your Old Refrigerator

### **⚠ WARNING**

#### **Suffocation Hazard**

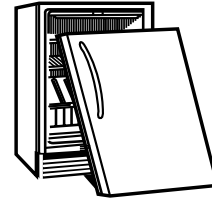
**Remove doors from your old refrigerator.**

**Failure to do so can result in death or brain damage.**

**IMPORTANT:** Child entrapment and suffocation are not problems of the past. Junked or abandoned refrigerators are still dangerous – even if they will sit for “just a few days.” If you are getting rid of your old refrigerator, please follow these instructions to help prevent accidents.

## Before You Throw Away Your Old Refrigerator or Freezer:

- Take off the door.
- Leave the shelves in place so that children may not easily climb inside.



## INSTALLATION INSTRUCTIONS

### Unpack the Refrigerator

### **⚠ WARNING**

#### **Excessive Weight Hazard**

**Use two or more people to move and install refrigerator.**

**Failure to do so can result in back or other injury.**

#### **Important information to know about glass shelves and covers:**

Do not clean glass shelves or covers with warm water when they are cold. Shelves and covers may break if exposed to sudden temperature changes or impact, such as bumping. For your protection, tempered glass is designed to shatter into many small, pebble-size pieces. This is normal. Glass shelves and covers are heavy. Use special care when removing them to avoid impact from dropping.

### Remove the Packaging

- Remove tape and glue residue from surfaces before turning on the refrigerator. Rub a small amount of liquid dish soap over the adhesive with your fingers. Wipe with warm water and dry.
- Do not use sharp instruments, rubbing alcohol, flammable fluids, or abrasive cleaners to remove tape or glue. These products can damage the surface of your refrigerator. For more information, see “Refrigerator Safety.”
- Dispose of/recycle all packaging materials.

#### **When Moving Your Refrigerator:**

Your refrigerator is heavy. When moving the refrigerator for cleaning or service, be sure to protect the floor. Always pull the refrigerator straight out when moving it. Do not wiggle or “walk” the refrigerator when trying to move it, as floor damage could occur.

### Clean Before Using

After you remove all of the packaging materials, clean the inside of your refrigerator before using it. See the cleaning instructions in “Refrigerator Care.”

### Location Requirements

### **⚠ WARNING**



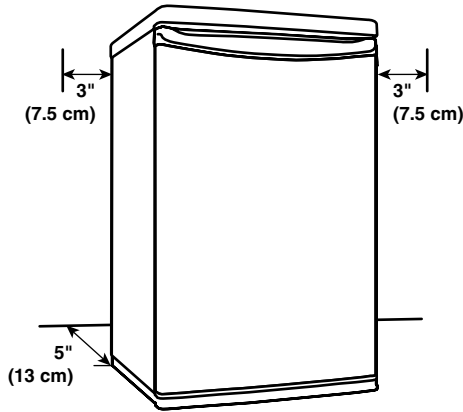
#### **Explosion Hazard**

**Keep flammable materials and vapors, such as gasoline, away from refrigerator.**

**Failure to do so can result in death, explosion, or fire.**

To ensure proper ventilation for your refrigerator, allow at least 5" (13 cm) between the back of the cabinet and the wall. When installing your refrigerator, leave at least 3" (7.5 cm) clearance on each side.

**NOTE:** It is recommended that you do not install the refrigerator near an oven, radiator, or other heat source. Do not install in a location that receives direct sunlight or heat. Do not install the refrigerator in a location where the temperature will fall below 55°F (13°C).



### Electrical Requirements

#### **⚠ WARNING**



#### Electrical Shock Hazard

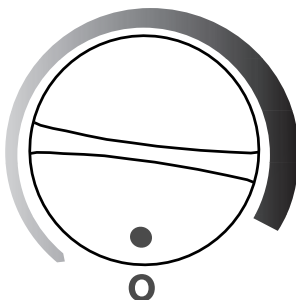
- Plug into a grounded 3 prong outlet.**
- Do not remove ground prong.**
- Do not use an adapter.**
- Do not use an extension cord.**
- Failure to follow these instructions can result in death, fire, or electrical shock.**

Before you move your refrigerator into its final location, it is important to make sure you have the proper electrical connection.

#### Recommended Grounding Method

A 115 Volt, 60 Hz., AC only 15- or 20-amp fused, grounded electrical supply is required. It is recommended that a separate circuit serving only your refrigerator be provided. Use an outlet that cannot be turned off by a switch. Do not use an extension cord.

**NOTE:** Before performing any type of installation, cleaning, or removing a light bulb, shut cooling OFF by turning the control to the “0” position, as shown. Disconnect the refrigerator from the electrical source. When you are finished, reconnect the refrigerator to the electrical source and reset the temperature control to the desired setting. See “Using the Control.”



### Reverse the Refrigerator Door (optional)

**IMPORTANT:** All graphics referenced in the following instructions are included later in this section after “Final Steps.” The graphics shown are for a right-hand swing door (hinges factory installed on the right).

**Tools needed:** No. 2 Phillips screwdriver

#### Remove Door and Hinge

1. Turn the refrigerator control OFF, and remove food and door bins from doors.
2. Unplug refrigerator or disconnect power.

#### **⚠ WARNING**

#### Excessive Weight Hazard

**Use two or more people to move and install refrigerator.**

**Failure to do so can result in back or other injury.**

3. Place the refrigerator on its back.
4. Remove the bottom right leveling leg. See Graphic 3.
5. Using the Phillips screwdriver, remove the the screws from the lower hinge assembly. See Graphic 3.
6. Pull the door downward to remove it from the cabinet.

#### Reverse Door Swing (optional)

1. Remove the upper hinge pin from the right side of the cabinet. See Graphic 2.
2. Remove the plastic cap from the top left-hand side of the door and reinstall it on the top right-hand side of the door, in the previous pin location. See Graphic 1.
3. Reinstall the hinge pin on the left-hand side of the cabinet. Align the hole in the door with the hinge pin and push up until the hinge pin is inserted into the top of the door.
4. Remove the two retaining screws on the bottom left side of the cabinet and reinstall them and the fixed foot on the right side in the former lower hinge assembly screw positions. See Graphic 4.
5. With the door closed, reinstall the lower hinge assembly on the left side of the refrigerator. See Graphic 3.
6. Reinstall leveling leg. See Graphic 3.

## Final Steps

1. Stand the refrigerator upright and check all holes to make sure that hole plugs and screws are in place.
2. Check the door for alignment and for a seal against the cabinet.
3. Let stand upright for 60 minutes before reconnecting power.

## ⚠ WARNING



### Electrical Shock Hazard

Plug into a grounded 3 prong outlet.

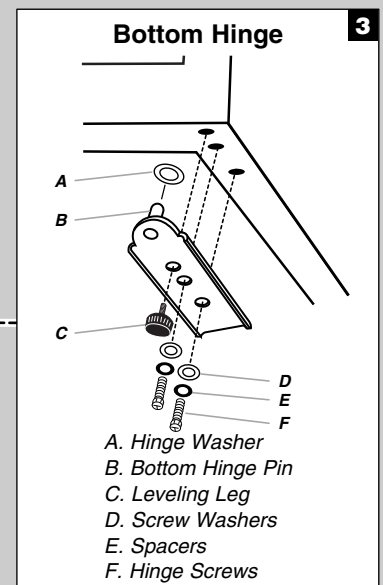
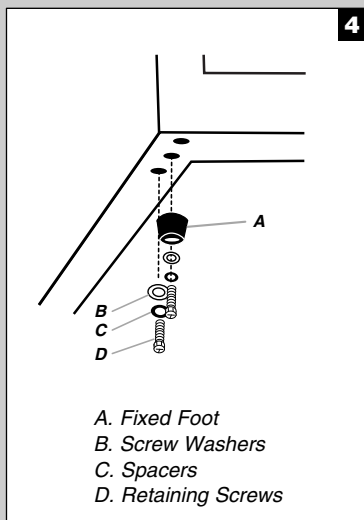
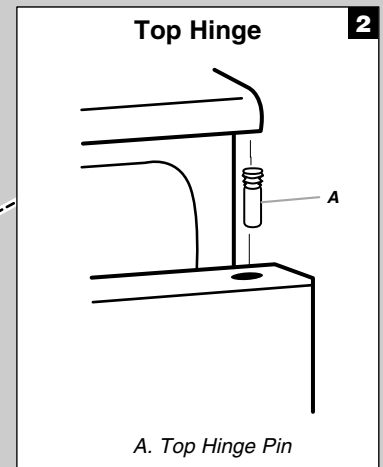
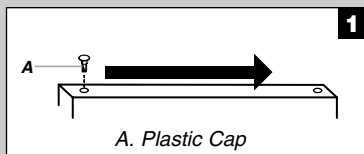
Do not remove ground prong.

Do not use an adapter.

Do not use an extension cord.

Failure to follow these instructions can result in death, fire, or electrical shock.

4. Plug into a grounded 3 prong outlet.
5. Reset the control. See "Using the Control" section.
6. Return all removable door parts to door and food to refrigerator.



---

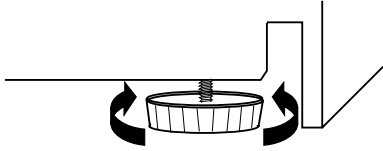
## Level the Refrigerator

There is one adjustable leveling leg located on the hinge side of the refrigerator. If the refrigerator seems unsteady, adjust the refrigerator's tilt using the instructions below.

### Adjust the leg to level the refrigerator:

- To raise, turn the leveling leg counterclockwise.
- To lower, turn the leveling leg clockwise.

**NOTE:** Having someone push against the top of the refrigerator takes some weight off the leveling leg which makes it easier to turn.



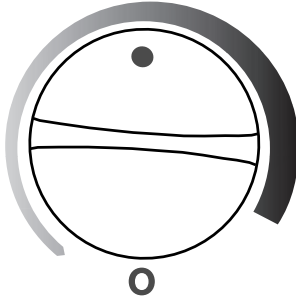
---

## REFRIGERATOR USE

---

### Using the Control

The temperature control is located at the top of the cabinet.



### IMPORTANT:

- Wait 24 hours for your refrigerator to cool completely before adding food. If you add food before the refrigerator has cooled completely, your food may spoil.
- The control is set correctly when milk or juice is as cold as you like.
- Changes in the room temperature or opening the door frequently will affect the internal refrigerator temperature.

### To turn ON:

Before first use, or if the refrigerator has been out of use for some time, set the temperature control to the maximum position for 2 to 3 hours. Once the interior has reached the desired temperature, adjust the control to the desired setting.

### To turn OFF:

Turn the control to the "0" position. Turning the temperature control to the "0" position stops cooling in the refrigerator, but it does not disconnect the refrigerator from the power supply.

---

## REFRIGERATOR FEATURES

### Important information to know about glass shelves and covers:

Do not clean glass shelves or covers with warm water when they are cold. Shelves and covers may break if exposed to sudden temperature changes or impact, such as bumping. For your protection, tempered glass is designed to shatter into many small, pebble-size pieces. This is normal. Glass shelves and covers are heavy. Use special care when removing them to avoid impact from dropping.

---

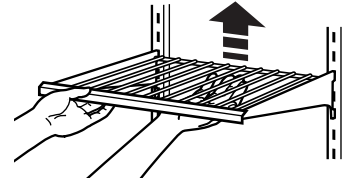
### Refrigerator Shelves

The shelves in your refrigerator are adjustable to match your individual storage needs.

Storing similar food items together in your refrigerator and adjusting the shelves to fit different heights of items will make finding the exact item you want easier. It will also reduce the amount of time the refrigerator door is open, and save energy.

### To Remove and Replace a Shelf/Frame:

1. Remove the shelf/frame by tilting it up at the front and lifting it out of the shelf supports.
2. Replace the shelf/frame by guiding the rear shelf hooks into the shelf supports. Tilt the front of the shelf up until rear shelf hooks drop into the shelf supports. Make sure that the shelf is firmly in position.



---

### Food Storage Guide

---

Storage times will vary according to the quality and type of food, the type of packaging or wrap used (should be airtight and moisture-proof), and the storage temperature. Seal the package or container to avoid taste and odor transfer throughout the product.

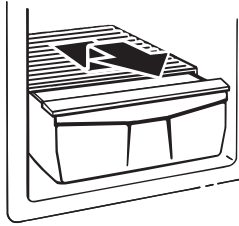
Food should not touch the rear wall of the refrigerator.

---

## Crisper and Crisper Cover

### To remove and replace the crisper:

1. Lift the front of the crisper and slide outward.
2. Replace the crisper by inserting the rear of the crisper into the slots and sliding it back into place.



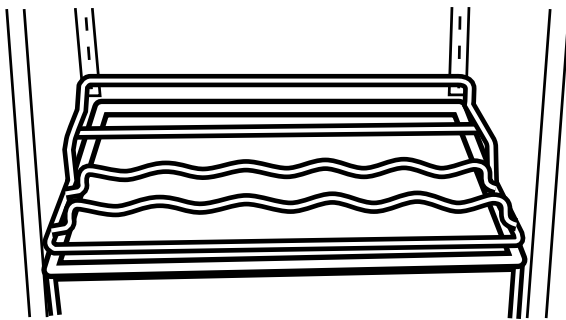
### To remove and replace the crisper cover:

1. Lift the front of the cover and slide outward.
2. Replace the cover by inserting the rear of the cover into the slots and sliding it back into place.

---

## Wine/Bottle Rack

The wine/bottle rack can be installed only directly above the crisper cover as shown. The rack will hold five 750 mL bottles of wine.



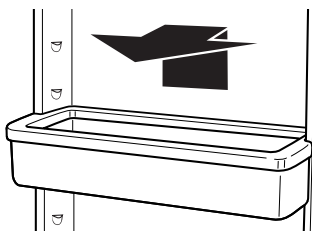
---

## DOOR FEATURES

### Adjustable Shelf and Bins

#### To Remove and Replace the Shelf or Bins:

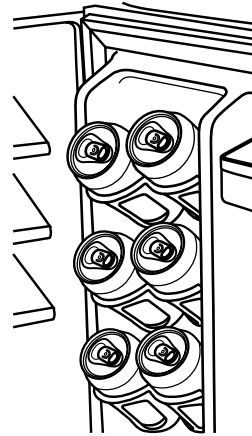
1. Remove the bin by lifting it and pulling it straight out.
2. Replace the bin by sliding it in above the desired support and pushing it down until it stops.



---

## Beverage Dispenser

The beverage dispenser stores eight, 12 oz (354.9 mL) cans in the refrigerator door.



---

## REFRIGERATOR CARE

### Cleaning

#### ⚠ WARNING



#### Explosion Hazard

Use nonflammable cleaner.

Failure to do so can result in death, explosion, or fire.

Clean the refrigerator about once a month to avoid buildup of odors. To avoid odor transfer and drying out of food, wrap or cover foods tightly. Wipe up spills immediately.

---

### Cleaning

**NOTE:** Do not use abrasive or harsh cleaners such as window sprays, scouring cleansers, flammable fluids, cleaning waxes, concentrated detergents, bleaches or cleansers containing petroleum products on plastic parts, interior and door liners or gaskets. Do not use paper towels, scouring pads, or other harsh cleaning tools.

1. Unplug refrigerator or disconnect power.
2. Hand wash, rinse, and dry removable parts and interior surfaces thoroughly. Use a clean sponge or soft cloth and a mild detergent in warm water.
3. Wash metal exteriors with a clean sponge or soft cloth and a mild detergent in warm water. Dry thoroughly with a soft cloth.
4. Plug in refrigerator or reconnect power.

---

## Defrosting

---

Your refrigerator defrosts automatically. Inside the refrigerator cabinet (behind the crisper drawer and under the evaporator plate) there is a drain trough. This trough collects water droplets that fall from the evaporator plate during the defrost cycle, and then channels the water down a drain tube.

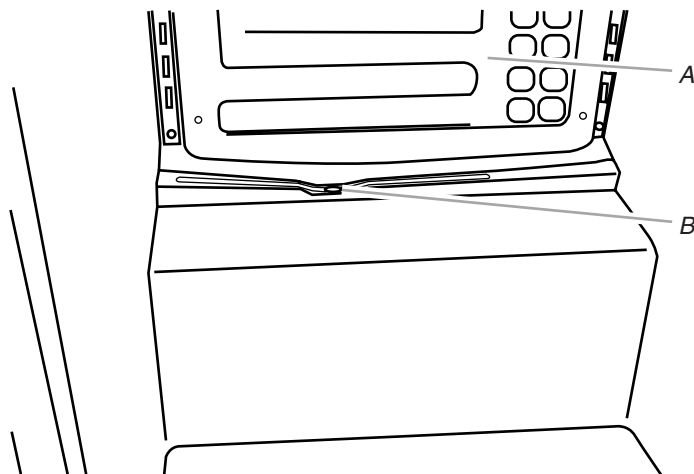
**NOTE:** To keep water from overflowing the trough and freezing on the bottom of the cabinet keep the trough and drain tube clear of ice and food particles.

### To remove ice from the drain trough:

Slowly pour  $\frac{3}{4}$  cup (180 mL) of hot water over the drain trough to melt the ice.

### To remove food particles from the drain tube:

Dislodge any food particles by inserting a plastic straw down the drain tube.



A. Evaporator plate  
B. Drain tube

## Manual Defrosting

Under some circumstances ice formation on the inner back wall can occur. If ice formation increases to between 0.12" and 0.20" (3 mm and 5 mm), the refrigerator should be manually defrosted.

1. Remove food from refrigerator.
2. Turn temperature control to the "0" position and leave the door open.
3. After defrosting is complete, turn the temperature control to the desired setting and close the refrigerator door.

---

## Changing the Light Bulb

### NOTES:

- The light bulb is located behind the temperature control at the top of the cabinet.
  - Not all appliance bulbs will fit your refrigerator. Be sure to replace the bulb with an appliance bulb of the same size, shape, and wattage (no greater than 15 watts).
1. Unplug the refrigerator or disconnect power.
  2. Using a Phillips screwdriver, remove the screw located on the left-hand side of the light shield. Pull the light shield straight down.
  3. Replace the burned-out light bulb with an appliance bulb no greater than 15 watts.
  4. Replace the light shield.
  5. Plug in refrigerator or reconnect power.

---

## Vacation and Moving Care

---

### Vacations

If you choose to turn the refrigerator off before you leave, follow these steps.

1. Remove all food from the refrigerator.
2. Turn the temperature control to the "0" position and unplug the refrigerator.
3. Clean the refrigerator. See "Cleaning."
4. Tape a rubber or wood block to the top of the door to prop it open far enough for air to get in. This stops odor and mold from building up.

---

### Moving

When you are moving your refrigerator to a new home, follow these steps to prepare it for the move.

1. Remove all food from the refrigerator.
2. Turn the temperature control to the "0" position and unplug the refrigerator.
3. Clean the refrigerator. See "Cleaning."
4. Take out all removable parts, wrap them well, and tape them together so they don't shift and rattle during the move.
5. Tape the doors shut and tape the power cord to the refrigerator.

When you get to your new home, put everything back and refer to the "Installation Instructions" section.



# TROUBLESHOOTING

Try the solutions suggested here first in order to avoid the cost of an unnecessary service call.

## Refrigerator Operation

### Your refrigerator will not operate

#### **⚠ WARNING**



##### Electrical Shock Hazard

Plug into a grounded 3 prong outlet.

Do not remove ground prong.

Do not use an adapter.

Do not use an extension cord.

Failure to follow these instructions can result in death, fire, or electrical shock.

- **Is the power supply cord unplugged?** Plug into a grounded 3 prong outlet.
- **Has a household fuse blown, or has a circuit breaker tripped?** Replace the fuse or reset the circuit.
- **Is the temperature control on?** Turn the temperature control knob to the operating position. See “Using the Control.”
- **New installation?** Allow 24 hours following installation for the refrigerator to cool completely.

### The motor seems to run too much

Your new refrigerator may run longer than your old one due to its high-efficiency compressor and fans. The unit may run even longer if the room is warm, a large food load is added, the door is opened often, or if the door has been left open.

### The refrigerator seems noisy

Refrigerator noise has been reduced over the years. Due to this reduction, you may hear intermittent noises from your new refrigerator that you did not notice from your old model. Below are listed some normal sounds with explanations.

- **Pulsating** - fans/compressor adjusting to optimize performance.
- **Hissing/Rattling** - flow of refrigerant, movement of water lines, or from items placed on top of the refrigerator.
- **Popping** - contraction/expansion of inside walls, especially during initial cool-down.
- **Water running/dripping** - may be heard when water melts during defrosting and runs into the drain pan.

### The door will not close completely

- **Are the shelves out of position?** Put the shelves back into their correct positions. See “Refrigerator Features” for more information.

#### **⚠ WARNING**



##### Explosion Hazard

Use nonflammable cleaner.

Failure to do so can result in death, explosion, or fire.

- **Is the gasket sticking?** Clean the gasket and the surface that it touches. Rub a thin coat of paraffin wax on the gasket following cleaning.

### The door is difficult to open

#### **⚠ WARNING**



##### Explosion Hazard

Use nonflammable cleaner.

Failure to do so can result in death, explosion, or fire.

- **Is the gasket dirty or sticky?** Clean the gasket and the surface that it touches. Rub a thin coat of paraffin wax on the gasket following cleaning.

## Temperature and Moisture

### Temperature is too warm

- **Door opened often or left open?** Allows warm air to enter refrigerator. Minimize door openings and keep door fully closed.
- **Is the control set correctly for the surrounding conditions?** See “Using the Control.”
- **Large load of food added?** Allow several hours for the refrigerator to return to normal temperature.

---

There is interior moisture buildup

---

NOTE: Some moisture buildup is normal.

Humid room? Contributes to moisture buildup.

Door opened often or left open? Allows humid air to enter refrigerator. Minimize door openings and keep door fully closed.

---

Ice has formed on the inner rear wall

---

Manually defrost the increased ice layer. See "Defrosting" in the "Cleaning" section.

The cause of increased ice formation may be one of the following:

Door opened often or left open? Allows warm air to enter refrigerator. Minimize door openings and keep door fully closed.

Is the control set correctly for the surrounding conditions? See "Using the Control."

Large load of food added? Allow several hours for the refrigerator to return to normal temperature.

---

Water is leaking from the refrigerator

---

Is the defrost water drain tube clogged, or is the defrost water overflowing the trough? Clean the clogged drain tube. See "Defrosting" in the "Cleaning" section.

---

## REFRIGERATOR WARRANTY

Warrantor: Danby Products Limited, 5070 Whitelaw Road, Guelph, ON, Canada N1H 6Z9.

---

### ONE YEAR LIMITED WARRANTY

For one year from the date of purchase, when this appliance is operated and maintained according to instructions attached to or furnished with the product, warrantor will pay for factory specified parts and repair labor to correct defects in materials or workmanship. Service must be provided by a designated service company.

---

### ITEMS WARRANTOR WILL NOT PAY FOR

1. Service calls to correct the installation of your appliance, to instruct you how to use your major appliance, to replace or repair house fuses or to correct house wiring or plumbing.
  2. Service calls to repair or replace appliance light bulbs, air filters or water filters. Those consumable parts are excluded from warranty coverage.
  3. Repairs when your appliance is used for other than normal, single-family household use.
  4. Damage resulting from accident, alteration, misuse, abuse, fire, flood, acts of God, improper installation, installation not in accordance with electrical or plumbing codes, or use of products not approved by warrantor.
  5. Any food loss due to refrigerator or freezer product failures.
  6. Replacement parts or repair labor costs for units operated outside the United States or Canada.
  7. Pickup and delivery. This appliance is designed to be repaired in the home.
  8. Repairs to parts or systems resulting from unauthorized modifications made to the appliance.
  9. Expenses for travel and transportation for product service in remote locations.
  10. The removal and reinstallation of your appliance if it is installed in an inaccessible location or is not installed in accordance with published installation instructions.
- 

### DISCLAIMER OF IMPLIED WARRANTIES; LIMITATION OF REMEDIES

CUSTOMER'S SOLE AND EXCLUSIVE REMEDY UNDER THIS LIMITED WARRANTY SHALL BE PRODUCT REPAIR AS PROVIDED HEREIN. IMPLIED WARRANTIES, INCLUDING WARRANTIES OF MERCHANTABILITY OR FITNESS FOR A PARTICULAR PURPOSE, ARE LIMITED TO ONE YEAR OR THE SHORTEST PERIOD ALLOWED BY LAW. WARRANTOR SHALL NOT BE LIABLE FOR INCIDENTAL OR CONSEQUENTIAL DAMAGES. SOME STATES AND PROVINCES DO NOT ALLOW THE EXCLUSION OR LIMITATION OF INCIDENTAL OR CONSEQUENTIAL DAMAGES, OR LIMITATIONS ON THE DURATION OF IMPLIED WARRANTIES OF MERCHANTABILITY OR FITNESS, SO THESE EXCLUSIONS OR LIMITATIONS MAY NOT APPLY TO YOU. THIS WARRANTY GIVES YOU SPECIFIC LEGAL RIGHTS AND YOU MAY ALSO HAVE OTHER RIGHTS, WHICH VARY FROM STATE TO STATE OR PROVINCE TO PROVINCE.

---

Outside the 50 United States and Canada, this warranty does not apply. Contact your authorized dealer to determine if another warranty applies.

If you need service, first see the "Troubleshooting" section of the Use & Care Guide. After checking "Troubleshooting," additional help can be found by checking the "Assistance or Service" section or by calling 1-866-568-0386 in the U.S.A. In Canada, call 1-866-457-1539.

6/08

## Ayuda o servicio técnico

Si necesita ayuda o servicio técnico, vea primero la sección "Solución de problemas". Puede obtener asistencia adicional. Llámenos al 1-866-568-0386 desde cualquier parte de los EE.UU. En Canadá, llame al 1-866-457-1539

Guarde este libro y su comprobante de compra juntos para referencia futura. Usted deberá proporcionar el comprobante de la compra o una fecha de instalación para obtener servicio bajo la garantía.

Escriba la siguiente información acerca de su electrodoméstico para ayudarlo a obtener asistencia o servicio técnico si alguna vez llegara a necesitarlo. Deberá saber el número completo del modelo y de la serie. Puede encontrar esta información en la placa con el número de modelo y de serie que está ubicada en la esquina superior izquierda de la parte posterior del refrigerador.

Nombre del distribuidor \_\_\_\_\_  
Número de serie \_\_\_\_\_  
Dirección \_\_\_\_\_  
Número de teléfono \_\_\_\_\_  
Número del modelo \_\_\_\_\_  
Fecha de compra \_\_\_\_\_

## SEGURIDAD DEL REFRIGERADOR

### Su seguridad y la seguridad de los demás es muy importante.

Hemos incluido muchos mensajes importantes de seguridad en este manual y en su electrodoméstico. Lea y obedezca siempre todos los mensajes de seguridad.



Este es el símbolo de advertencia de seguridad.

Este símbolo le llama la atención sobre peligros potenciales que pueden ocasionar la muerte o una lesión a usted y a los demás.

Todos los mensajes de seguridad irán a continuación del símbolo de advertencia de seguridad y de la palabra "PELIGRO" o "ADVERTENCIA". Estas palabras significan:

 **PELIGRO**

Si no sigue las instrucciones de inmediato, usted puede morir o sufrir una lesión grave.

 **ADVERTENCIA**

Si no sigue las instrucciones, usted puede morir o sufrir una lesión grave.

Todos los mensajes de seguridad le dirán el peligro potencial, le dirán cómo reducir las posibilidades de sufrir una lesión y lo que puede suceder si no se siguen las instrucciones.

### INSTRUCCIONES IMPORTANTES DE SEGURIDAD

**ADVERTENCIA:** Para reducir el riesgo de incendio, choque eléctrico, o lesiones personales al usar su refrigerador siga estas precauciones básicas:

No quite la terminal de conexión a tierra.

No use un cable eléctrico de extensión.

Desconecte el suministro de energía antes de darle servicio.

Vuelva a colocar todos los componentes y paneles antes de hacerlo funcionar.

Remueva las puertas de su refrigerador viejo.

Use un limpiador no inflamable.

No use un adaptador.

Mantenga los materiales y vapores inflamables, tales como gasolina, alejados del refrigerador.

Use dos o más personas para mover e instalar el refrigerador.

Conecte a un contacto de pared de conexión a tierra de 3 terminales.

**CONSERVAR ESTAS INSTRUCCIONES**

## Cómo deshacerse adecuadamente de su refrigerador viejo

### **⚠️ ADVERTENCIA**

#### **Peligro de Asfixia**

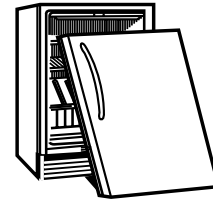
Remueva las puertas de su refrigerador viejo.

**No seguir esta instrucción puede ocasionar la muerte o daño al cerebro.**

**IMPORTANTE:** El atrapamiento y asfixia de niños no es un problema del pasado. Los refrigeradores tirados y abandonados son un peligro, aún si van a quedar ahí “por unos pocos días”. Si Ud. está por deshacerse de su refrigerador viejo, por favor siga las instrucciones que se dan a continuación para prevenir accidentes.

### **Antes de tirar su viejo refrigerador o congelador:**

- Saque la puerta.
- Deje los estantes en su lugar para que los niños no puedan meterse con facilidad.



## INSTRUCCIONES DE INSTALACIÓN

### Desempaque el refrigerador

### **⚠️ ADVERTENCIA**

#### **Peligro de Peso Excesivo**

Use dos o más personas para mover e instalar el refrigerador.

**No seguir esta instrucción puede ocasionar una lesión en la espalda u otro tipo de lesiones.**

### Limpeza antes del uso

Una vez que usted haya quitado todos los materiales de empaque, limpie el interior de su refrigerador antes de usarlo. Vea las instrucciones de limpieza en “Cuidado de su refrigerador”.

#### **Información importante para saber acerca de los estantes y tapas de vidrio:**

No limpie los estantes y tapas de vidrio con agua caliente mientras están fríos. Los estantes y tapas pueden romperse si se exponen a cambios bruscos de temperatura o impacto, como sería un golpe brusco. Para su protección, el vidrio templado se ha diseñado para hacerse añicos. Esto es normal. Los estantes y tapas de vidrio son muy pesados. Tenga mucho cuidado al sacarlos para evitar que se dañen al caer.

### Cómo quitar los materiales de empaque

- Quite los restos de cinta y goma de las superficies de su refrigerador antes de encenderlo. Frote un poco de detergente líquido para vajillas sobre el adhesivo con los dedos. Limpie con agua tibia y seque.
- No use instrumentos filosos, alcohol para fricciones, líquidos inflamables o productos de limpieza abrasivos para eliminar los restos de cinta o goma. Estos productos pueden dañar la superficie de su refrigerador. Para más información, vea “Seguridad del refrigerador”.
- Deshágase de todos los materiales de embalaje o recíclelos.

### Requisitos de ubicación

### **⚠️ ADVERTENCIA**



#### **Peligro de Explosión**

**Mantenga los materiales y vapores inflamables, tales como gasolina, alejados del refrigerador.**

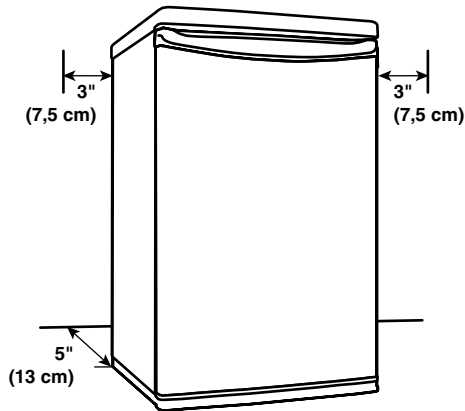
**No seguir esta instrucción puede ocasionar la muerte, explosión, o incendio.**

#### **Cómo mover su refrigerador:**

Su refrigerador es muy pesado. Cuando mueva su refrigerador para limpiarlo o darle servicio, proteja el piso. Al mover el refrigerador, siempre tire directamente hacia afuera. No menee el refrigerador de lado a lado ni lo haga “caminar” cuando lo trate de mover ya que podría dañar el piso.

Para asegurar la ventilación adecuada de su refrigerador, deje un espacio de al menos 5" (13 cm) entre la parte posterior de la carcasa y la pared. Cuando instale su refrigerador, deje un espacio de al menos 3" (7,5 cm) a cada lado.

**NOTA:** No se recomienda instalar el refrigerador cerca de un horno, radiador u otra fuente de calor. No instale el refrigerador en un lugar en el que estará expuesto directamente a la luz del sol o al calor. No instale el refrigerador en un lugar donde la temperatura puede ser menor de 55°F (13°C).



### Requisitos eléctricos

## ⚠ ADVERTENCIA



### Peligro de Choque Eléctrico

Conecte a un contacto de pared de conexión a tierra de 3 terminales.

No quite la terminal de conexión a tierra.

No use un adaptador.

No use un cable eléctrico de extensión.

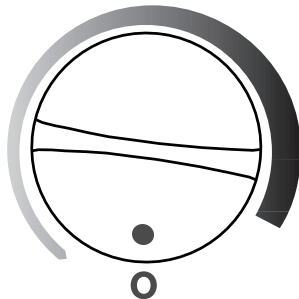
No seguir estas instrucciones puede ocasionar la muerte, incendio o choque eléctrico.

Antes de mover el refrigerador a su ubicación final, es importante asegurarse que tiene la conexión eléctrica adecuada.

### Método de conexión a tierra recomendado

Se requiere una fuente de energía eléctrica de 115 Voltios, 60 Hz., CA solamente y con fusibles de 15 ó 20 amperios, conectada a tierra. Se recomienda que use un circuito separado sólo para su refrigerador. Use un tomacorriente que no se pueda apagar con un interruptor. No use un cable eléctrico de extensión.

**NOTA:** Antes de llevar a cabo cualquier tipo de instalación, limpieza o de quitar un foco, APAGUE el enfriamiento girando el control a la posición "0", como se muestra. Desconecte el refrigerador de la fuente de suministro eléctrico. Cuando haya terminado, reconecte el refrigerador a la fuente de energía eléctrica y vuelva a poner los controles de temperatura en la posición deseada. Vea "Uso del control".



## Cómo invertir la puerta del refrigerador (opcional)

**IMPORTANTE:** Todas las ilustraciones a las que se hace referencia en las siguientes instrucciones se incluyen más adelante en esta sección después de "Pasos finales". Las ilustraciones muestran una puerta con sentido de apertura hacia la derecha (bisagras instaladas de fábrica a la derecha).

**Herramientas necesarias:** Destornillador Phillips N° 2

### Cómo quitar la puerta y la bisagra

1. Apague el control del refrigerador y saque la comida y los recipientes de las puertas.
2. Desenchufe el refrigerador o desconecte el suministro de energía.

## ⚠ ADVERTENCIA

### Peligro de Peso Excesivo

Use dos o más personas para mover e instalar el refrigerador.

No seguir esta instrucción puede ocasionar una lesión en la espalda u otro tipo de lesiones.

3. Coloque el refrigerador en su parte posterior.
4. Quite la pata niveladora inferior derecha. Vea la Ilustración 3.
5. Quite los tornillos del ensamblaje de la bisagra inferior con el destornillador Phillips. Vea la Ilustración 3.
6. Jale la puerta hacia abajo para quitarla de la carcasa.

### Cambio del sentido de apertura de la puerta (opcional)

1. Saque el pasador de la bisagra superior del lado derecho de la carcasa. Vea la Ilustración 2.
2. Saque la tapa de plástico del lado superior izquierdo de la puerta y vuelva a instalarla sobre el lado superior derecho de la puerta, en la ubicación previa del pasador. Vea la Ilustración 1.
3. Vuelva a instalar el pasador de la bisagra en el lado izquierdo de la carcasa. Alinee el orificio en la puerta con el pasador de la bisagra y empuje hacia arriba hasta que el pasador de la bisagra esté insertado en la parte superior de la puerta.
4. Saque los dos tornillos de sujeción que están en el lado inferior izquierdo de la carcasa y vuelva a instalarlos junto con el pie fijo en el lado derecho, en las posiciones anteriores de los tornillos del ensamblaje de la bisagra inferior. Vea la Ilustración 4.
5. Con la puerta cerrada, vuelva a instalar el ensamblaje de la bisagra inferior en el lado izquierdo del refrigerador. Vea la Ilustración 3.
6. Vuelva a instalar la pata niveladora. Vea la Ilustración 3.

### Pasos finales

1. Coloque el refrigerador en posición vertical y revise todos los orificios para cerciorarse que los tapones de los orificios y los tornillos estén en su lugar.
2. Verifique el alineamiento de la puerta y que la misma haga un sello hermético contra la carcasa.

3. Déjelo en posición vertical durante 60 minutos antes de volver a conectar el suministro de energía.

5. Vuelva a ajustar el control. Vea la sección "Uso del control".  
6. Regrese todas las partes removibles a la puerta y la comida al refrigerador.

## ⚠ ADVERTENCIA



### Peligro de Choque Eléctrico

Conecte a un contacto de pared de conexión a tierra de 3 terminales.

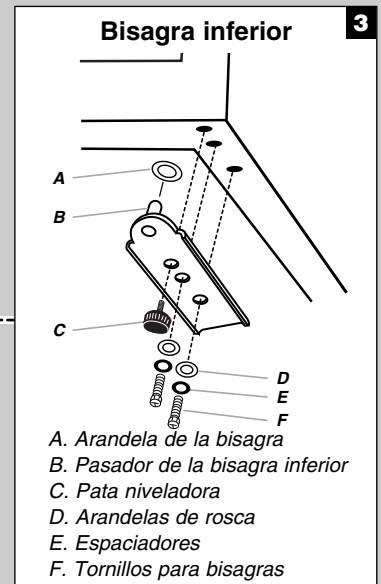
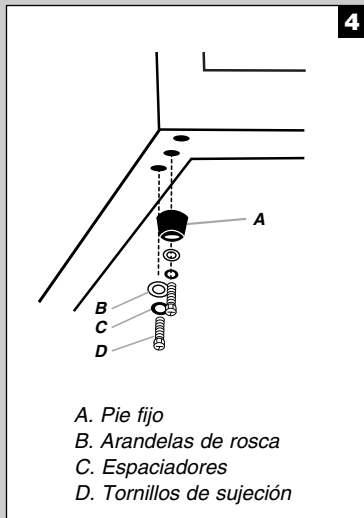
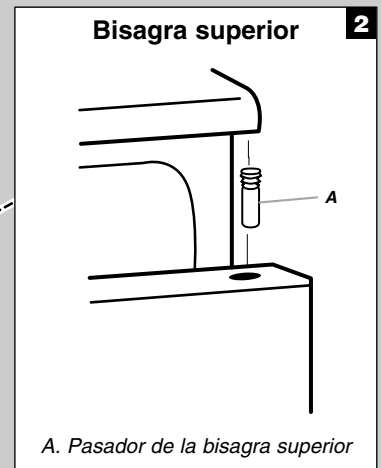
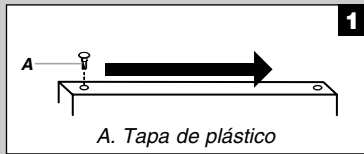
No quite la terminal de conexión a tierra.

No use un adaptador.

No use un cable eléctrico de extensión.

No seguir estas instrucciones puede ocasionar la muerte, incendio o choque eléctrico.

4. Conecte a un contacto de pared de conexión a tierra de 3 terminales.



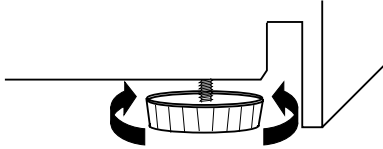
## Nivele el refrigerador

Hay una pata niveladora regulable ubicada en el lado con las bisagras del refrigerador. Si el refrigerador parece inestable, ajuste la inclinación del refrigerador empleando las instrucciones siguientes.

### Ajuste las patas para nivelar el refrigerador:

- Para levantarlo, gire la pata niveladora hacia la izquierda.
- Para bajarlo, gire la pata niveladora hacia la derecha.

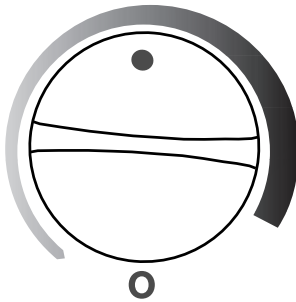
**NOTA:** Para quitar un poco de peso de la pata niveladora, haga que alguien empuje la parte superior del refrigerador. Esto facilita girar la pata niveladora.



## USO DE SU REFRIGERADOR

### Uso del control

El control de temperatura está ubicado en la parte superior de la carcasa.



### IMPORTANTE:

- Espere 24 horas para que el refrigerador se enfríe completamente antes de agregar alimentos. Si agrega alimentos antes de que el refrigerador se haya enfriado por completo, sus alimentos podrían echarse a perder.
- El control está fijado correctamente cuando la leche o el jugo están tan fríos como a usted le gusta.
- La temperatura interna del refrigerador se verá afectada por los cambios en la temperatura ambiente o el abrir la puerta con frecuencia.

### Para ENCENDERLO:

Antes de usar el refrigerador por primera vez o si el mismo ha estado sin usarse durante algún tiempo, fije el control de temperatura hacia la posición máxima durante 2 a 3 horas. Una vez que el interior haya alcanzado la temperatura deseada, regule el control hacia el ajuste deseado.

### Para APAGARLO:

Gire el control hacia la posición "0". El girar el control de la temperatura a la posición "0" detiene el enfriamiento del refrigerador, pero no desconecta el refrigerador del suministro de energía.

## CARACTERÍSTICAS DEL REFRIGERADOR

### Información importante para saber acerca de los estantes y tapas de vidrio:

No limpie los estantes y tapas de vidrio con agua caliente mientras están fríos. Los estantes y tapas pueden romperse si se exponen a cambios bruscos de temperatura o impacto, como sería un golpe brusco. Para su protección, el vidrio templado se ha diseñado para hacerse añicos. Esto es normal. Los estantes y tapas de vidrio son muy pesados. Tenga mucho cuidado al sacarlos para evitar que se dañen al caer.

### Estantes del refrigerador

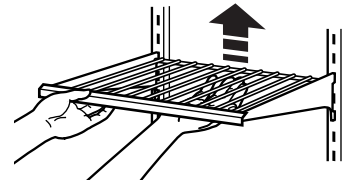
Los estantes de su refrigerador son ajustables para adaptarlos a sus necesidades individuales de almacenamiento.

Si usted guarda alimentos similares juntos y ajusta los estantes para que se adapten a las diferentes alturas de los artículos, le será muy fácil encontrar exactamente el artículo que desea.

Asimismo, se reduce el tiempo que el refrigerador permanece abierto y se ahorra energía.

### Para quitar y volver a colocar un estante/marco:

1. Quite el estante/marco inclinándolo por el frente y levantándolo fuera de los soportes del estante.
2. Vuelva a colocar el estante/marco guiando los ganchos posteriores del estante dentro de los soportes del estante. Levante el frente del estante hacia arriba hasta que los ganchos traseros del estante encajen en los soportes del estante. Cerciórese que el estante esté firme en su posición.



### Guía para la conservación de alimentos

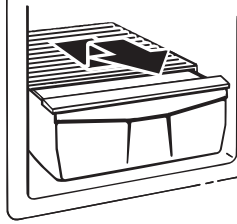
Los períodos de conservación variarán según la calidad y tipo de alimentos, el tipo de embalaje o envoltura empleada (deberá ser hermético y a prueba de humedad), y la temperatura de conservación. Selle el paquete o envase para evitar la transferencia de sabor y olor en todo el producto.

Los alimentos no deben tocar la pared posterior del refrigerador.

## Cajón para verduras y tapa

### Para quitar y volver a colocar el cajón para verduras:

1. Levante el frente del cajón para verduras y deslícelo hacia fuera.
2. Para volver a colocar el cajón para verduras, introduzca la parte posterior del mismo en las ranuras y deslícelo para ponerlo en su lugar.

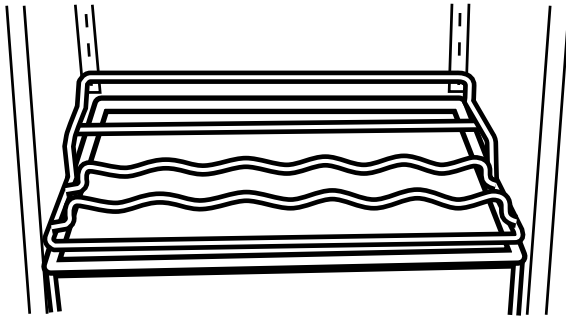


### Para quitar y volver a colocar la tapa del cajón para verduras:

1. Levante el frente de la tapa y deslícela hacia fuera.
2. Para volver a colocar la tapa, introduzca la parte posterior de la misma en las ranuras y deslícela para ponerla en su lugar.

## Portavinos/portabotellas

El portavinos/portabotellas deberá instalarse sólo directamente por encima de la tapa del cajón de verduras, como se muestra. El estante tiene capacidad para cinco botellas de vino de 750 mL cada una.

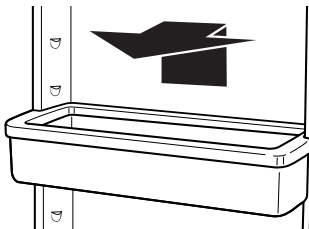


## CARACTERÍSTICAS DE LA PUERTA

### Estante y recipientes ajustables

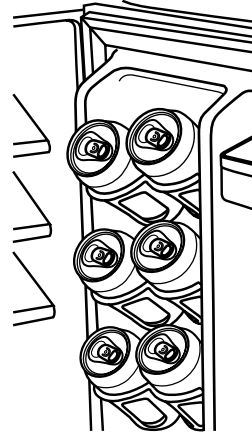
#### Para quitar y volver a colocar el estante o los recipientes:

1. Quite el recipiente levantándolo y jalándolo directamente hacia afuera.
2. Vuelva a colocar el recipiente deslizando encima del soporte deseado y empujándolo hacia abajo hasta que se detenga.



## Depósito de bebidas

El depósito de bebidas tiene capacidad para ocho bebidas en lata de 12 onzas (354.9 mL) cada una en la puerta del refrigerador.



## CUIDADO DE SU REFRIGERADOR

### Limpieza

#### **⚠ ADVERTENCIA**



#### Peligro de Explosión

Use un limpiador no inflamable.

No seguir esta instrucción puede ocasionar la muerte, explosión o incendio.

Limpie el refrigerador más o menos una vez al mes para evitar la acumulación de olores. Para evitar la transferencia de olores y la deshidratación de los alimentos, envuelva o tape bien los alimentos. Limpie los derrames de inmediato.

### Limpieza

**NOTA:** No use productos de limpieza abrasivos o ásperos, como aerosoles para ventanas, productos de limpieza para pulir, líquidos inflamables, ceras para limpieza, detergentes concentrados, blanqueadores o productos de limpieza que contengan productos de petróleo en las partes de plástico, revestimientos interiores o de la puerta o empaquetaduras. No use toallas de papel, estropajos para fregar u otros utensilios de limpieza ásperos.

1. Desenchufe el refrigerador o desconecte el suministro de energía.



2. Lave a mano, enjuague y seque todas las partes desmontables y las superficies interiores meticulosamente. Use una esponja limpia o un paño liso y un detergente suave en agua tibia.
3. Limpie el exterior de metal con una esponja limpia o un paño liso y un detergente suave en agua tibia. Seque meticulosamente con un paño suave.
4. Enchufe el refrigerador o reconecte el suministro de energía.

### Descongelación

El refrigerador se descongela automáticamente. En el interior de la carcasa del refrigerador (detrás del cajón para verduras y debajo de la placa de evaporación) hay un paso de desagüe. En este paso se acumulan las gotas de agua que caen de la placa de evaporación durante el ciclo de descongelación y se canaliza el agua hacia un tubo de desagüe.

**NOTA:** Para evitar que el agua se desborde del paso y se congele en la base de la carcasa, mantenga el paso y el tubo de desagüe alejados del hielo y las partículas de comida.

#### Para sacar el hielo del paso de desagüe:

Vierta despacio  $\frac{3}{4}$  taza (180 mL) de agua caliente sobre el paso de desagüe para derretir el hielo.

#### Para sacar las partículas de comida del tubo de desagüe:

Saque las partículas de comida insertando una pajilla de plástico en el tubo de desagüe.



A. Placa de evaporación  
B. Tubo de desagüe

### Descongelación manual

Bajo ciertas circunstancias, puede formarse hielo en la pared posterior interior. Si la formación de hielo aumenta entre 0,12" y 0,20" (entre 3 mm y 5 mm), el refrigerador deberá ser descongelado manualmente.

1. Retire los alimentos del refrigerador.
2. Gire el control de temperatura hacia la posición "0" y deje la puerta abierta.
3. Después de terminar la descongelación, gire el control de temperatura hacia el ajuste deseado y cierre la puerta del refrigerador.

## Cómo cambiar el foco

### NOTAS:

- El foco está ubicado detrás del control de temperatura, en la parte superior de la carcasa.
  - No todos los focos para electrodomésticos son adecuados para su refrigerador. Asegúrese de reemplazar el foco con otro foco para electrodomésticos del mismo tamaño, forma y vataje (que no sea de más de 15 vatios).
1. Desenchufe el refrigerador o desconecte el suministro de energía.
  2. Saque el tornillo que está en el lado izquierdo de la pantalla de luz con un destornillador Phillips. Jale la pantalla de luz directamente hacia abajo.
  3. Reemplace el foco quemado con un foco para electrodomésticos que no sea de más de 15 vatios.
  4. Vuelva a colocar la pantalla de luz.
  5. Enchufe el refrigerador o reconecte el suministro de energía.

## Cuidado durante las vacaciones y mudanzas

### Vacaciones

Si Ud. decide apagar el refrigerador antes de irse, siga estos pasos.

1. Saque toda la comida del refrigerador.
2. Gire el control de la temperatura a la posición "0" y desenchufe el refrigerador.
3. Limpie el refrigerador. Vea "Limpieza".
4. Fije un bloque de goma o de madera con cinta adhesiva a la parte superior de la puerta para que quede abierta y el aire circule. Esto evita que se formen olores y que se forme moho.

### Mudanza

Si Ud. muda su refrigerador a una casa nueva, siga los siguientes pasos para prepararse para la mudanza.

1. Saque toda la comida del refrigerador.
2. Gire el control de la temperatura a la posición "0" y desenchufe el refrigerador.
3. Limpie el refrigerador. Vea "Limpieza".
4. Saque todas las partes desmontables, envuélvalas bien y asegúrelas con cinta adhesiva para que no se sacudan durante la mudanza.
5. Sostenga las puertas cerradas y el cable pegado a la carcasa del refrigerador con cinta adhesiva.

Cuando llegue a la casa nueva, ponga todo de nuevo en su lugar y lea la sección "Instrucciones de instalación".

# SOLUCIÓN DE PROBLEMAS

Primero pruebe las soluciones sugeridas aquí para evitar el costo innecesario del servicio.

## Funcionamiento del refrigerador

### El refrigerador no funciona

#### **ADVERTENCIA**



##### Peligro de Choque Eléctrico

Conecte a un contacto de pared de conexión a tierra de 3 terminales.

No quite la terminal de conexión a tierra.

No use un adaptador.

No use un cable eléctrico de extensión.

No seguir estas instrucciones puede ocasionar la muerte, incendio o choque eléctrico.

- **¿Está desenchufado el cable eléctrico?** Conecte a un contacto de pared de conexión a tierra de 3 terminales.
- **¿Hay un fusible de la casa fundido o se disparó el cortacircuitos?** Reemplace el fusible o reposicione el cortacircuitos.
- **¿Está encendido el control de la temperatura?** Gire la perilla del control de la temperatura hacia la posición de funcionamiento. Vea “Uso del control”.
- **¿Es nueva la instalación?** Deje transcurrir 24 horas después de la instalación para que el refrigerador se enfríe por completo.

### Parece que el motor funciona excesivamente

Es posible que su nuevo refrigerador funcione por períodos más largos que su refrigerador anterior debido al compresor y los ventiladores de alto rendimiento. Es posible que la unidad funcione por más tiempo si la habitación está caliente, si se ha agregado una gran cantidad de alimentos, si se abre la puerta con frecuencia o si se ha dejado la misma abierta.

### Parece que el refrigerador es ruidoso

El ruido del refrigerador se ha ido reduciendo a lo largo de los años. Debido a esta reducción, es posible que escuche ruidos intermitentes en su nuevo refrigerador que no había notado en el modelo viejo. A continuación se enumeran algunos sonidos normales con explicaciones.

- **Sonido pulsante** - los ventiladores/el compresor se están ajustando para obtener el máximo desempeño.
- **Sonido sibilante/vibraciones** - flujo de líquido refrigerante, movimiento de la tubería de agua o artículos guardados arriba del refrigerador.

- **Estallido** - contracción/expansión de la paredes interiores, especialmente durante el enfriamiento inicial.
- **Agua corriendo/goteando** - puede escucharse cuando el hielo se derrite durante la descongelación y corre hacia la bandeja recolectora.

### La puerta no cierra completamente

- **¿Están los estantes fuera de posición?** Coloque nuevamente los estantes en su posición correcta. Vea “Características del refrigerador” para obtener más información.

#### **ADVERTENCIA**



##### Peligro de Explosión

Use un limpiador no inflamable.

No seguir esta instrucción puede ocasionar la muerte, explosión o incendio.

- **¿Está la empaquetadura pegajosa?** Limpie la empaquetadura y la superficie que ésta toque. Frote una capa delgada de cera de parafina sobre la empaquetadura después de la limpieza.

### Es difícil abrir la puerta

#### **ADVERTENCIA**



##### Peligro de Explosión

Use un limpiador no inflamable.

No seguir esta instrucción puede ocasionar la muerte, explosión o incendio.

- **¿Está la empaquetadura sucia o pegajosa?** Limpie la empaquetadura y la superficie de contacto. Frote una capa delgada de cera de parafina sobre la empaquetadura después de la limpieza.

## Temperatura y humedad

### La temperatura está demasiado caliente

- **¿Se abrió o se dejó la puerta abierta?** Esto hace que entre aire tibio al refrigerador. Reduzca al mínimo el número de veces que abre la puerta y mantenga la puerta completamente cerrada.

¿Se ha ajustado el control correctamente de acuerdo con las condiciones circundantes? Vea "Uso del control".

¿Se ha agregado una gran cantidad de alimentos? Deje que transcurran varias horas para que el refrigerador vuelva a la temperatura normal.

---

#### Hay acumulación de humedad en el interior

---

NOTA: Es normal que se acumule un poco de humedad.

¿Está húmeda la habitación? Esto contribuye a la acumulación de humedad.

¿Se abrió o se dejó la puerta abierta? Esto hace que entre aire tibio al refrigerador. Reduzca al mínimo el número de veces que abre la puerta y mantenga la puerta completamente cerrada.

---

#### Se ha formado hielo en la pared interna posterior

---

Descongele manualmente la capa de hielo que se acumuló. Consulte "Descongelación" en la sección "Limpieza".

La causa del aumento en la formación de hielo podría ser una de las siguientes:

¿Se abre o se deja la puerta abierta a menudo? Esto hace que entre aire tibio al refrigerador. Reduzca al mínimo el número de veces que abre la puerta y mantenga la puerta completamente cerrada.

¿Se ha ajustado el control correctamente de acuerdo con las condiciones circundantes? Vea "Uso del control".

¿Se ha agregado una gran cantidad de alimentos? Deje que transcurran varias horas para que el refrigerador vuelva a la temperatura normal.

---

#### Hay fugas de agua en el refrigerador

---

¿Se ha obstruido el tubo del agua de la descongelación o se está desbordando del paso el agua de la descongelación? Limpie el tubo de desagüe obstruido. Consulte "Descongelación" en la sección "Limpieza".

---

## GARANTÍA DEL REFRIGERADOR

Garante: Danby Products Limited, 5070 Whitelaw Road, Guelph, ON, Canada N1H 6Z9.

---

### GARANTÍA LIMITADA DE UN AÑO

Durante un año a partir de la fecha de compra, siempre y cuando se dé a este electrodoméstico un uso y mantenimiento de conformidad con las instrucciones adjuntas o provistas con el producto, el garante se hará cargo del costo de las piezas especificadas de fábrica y del gasto del trabajo de reparación para corregir defectos en los materiales o en la mano de obra. El servicio deberá ser suministrado por una compañía designada de servicio.

---

### EL GARANTE NO PAGARÁ POR LOS SIGUIENTES ARTÍCULOS

1. Visitas de servicio técnico para corregir la instalación de su electrodoméstico, para enseñarle a usar su electrodoméstico principal, para cambiar o reparar fusibles domésticos o para corregir la instalación eléctrica o de la tubería de la casa.
2. Visitas de servicio técnico para reparar o reemplazar focos para electrodomésticos, filtros de aire o filtros de agua. Esos insumos están excluidos de la cobertura de la garantía.
3. Reparaciones cuando su electrodoméstico se use de un modo diferente al doméstico normal de una familia.
4. Daños causados por accidente, alteración, uso indebido, abuso, incendio, inundación, actos fortuitos, instalación incorrecta, instalación que no esté de acuerdo con los códigos eléctricos o de plomería, o el empleo de productos no aprobados por el garante.
5. Cualquier pérdida de comida debido a fallas del refrigerador o del congelador.
6. Piezas de repuesto o gastos de reparación para electrodomésticos que se empleen fuera de los Estados Unidos o Canadá.
7. Recogida y entrega. Este electrodoméstico está diseñado para ser reparado en el hogar.
8. Reparaciones de piezas o sistemas como resultado de modificaciones no autorizadas que se hayan efectuado en el electrodoméstico.
9. Gastos de viaje y transporte para obtener servicio del producto en lugares remotos.
10. La remoción e instalación de su electrodoméstico si estuviera instalado en un lugar inaccesible o si no estuviera instalado de conformidad con las instrucciones de instalación publicadas.

---

### EXCLUSIÓN DE GARANTÍAS IMPLÍCITAS; LIMITACIÓN DE RECURSOS

EL ÚNICO Y EXCLUSIVO RECURSO DEL CLIENTE SEGÚN LOS TÉRMINOS DE ESTA GARANTÍA LIMITADA SERÁ EL DE REPARAR EL PRODUCTO SEGÚN SE ESTIPULA EN LA PRESENTE. LAS GARANTÍAS IMPLÍCITAS, INCLUYENDO LAS GARANTÍAS DE COMERCIABILIDAD O DE CAPACIDAD PARA UN PROPÓSITO PARTICULAR, SERÁN LIMITADAS A UN AÑO O AL PERÍODO MÁS CORTO PERMITIDO POR LEY. EL GARANTE NO SE RESPONSABILIZARÁ POR DAÑOS INCIDENTALES O CONSECUENTES. ALGUNOS ESTADOS Y PROVINCIAS NO PERMITEN LAS EXCLUSIONES O LIMITACIONES POR DAÑOS INCIDENTALES O CONSECUENTES, O LIMITACIONES ACERCA DE CUÁNTO DEBE DURAR UNA GARANTÍA IMPLÍCITA DE COMERCIABILIDAD O CAPACIDAD, DE MODO QUE LAS LIMITACIONES O EXCLUSIONES ARRIBA MENCIONADAS PUEDEN NO APLICARSE EN SU CASO. ESTA GARANTÍA LE OTORGA DERECHOS LEGALES ESPECÍFICOS Y ES POSIBLE QUE USTED TENGA TAMBIÉN OTROS DERECHOS QUE PUEDEN VARIAR DE UN ESTADO A OTRO O DE UNA PROVINCIA A OTRA.

---

Esta garantía no tiene vigor fuera de los cincuenta Estados Unidos y Canadá. Póngase en contacto con su distribuidor autorizado para determinar si corresponde otra garantía.

Si necesita servicio, consulte primero la sección "Solución de problemas" del Manual de uso y cuidado. Después de fijarse en "Solución de problemas", puede encontrar ayuda adicional en la sección "Ayuda o servicio técnico" o llamando al 1-866-568-0386 en EE.UU. En Canadá, llame al 1-866-457-1539.

6/08

## Assistance ou service

Si vous avez besoin d'assistance ou de service, consulter d'abord la section "Dépannage". On peut obtenir de l'aide supplémentaire. Appelez-nous au 1-866-457-1539.

Conservez ce manuel et votre reçu de vente ensemble pour référence ultérieure. Pour le service sous garantie, vous devez présenter un document prouvant la date d'achat ou d'installation.

Inscrivez les renseignements suivants au sujet de votre appareil ménager pour vous aider à obtenir assistance ou service en cas de besoin. Vous devez connaître le numéro de modèle et le numéro de série au complet. Vous trouverez ces renseignements sur la plaque signalétique située dans le coin supérieur gauche de l'arrière du réfrigérateur.

Nom du marchand \_\_\_\_\_  
Numéro de série \_\_\_\_\_  
Adresse \_\_\_\_\_  
Numéro de téléphone \_\_\_\_\_  
Numéro de modèle \_\_\_\_\_  
Date d'achat \_\_\_\_\_

## SÉCURITÉ DU RÉFRIGÉRATEUR

### Votre sécurité et celle des autres est très importante.

Nous donnons de nombreux messages de sécurité importants dans ce manuel et sur votre appareil ménager. Assurez-vous de toujours lire tous les messages de sécurité et de vous y conformer.



Voici le symbole d'alerte de sécurité.

Ce symbole d'alerte de sécurité vous signale les dangers potentiels de décès et de blessures graves à vous et à d'autres.

Tous les messages de sécurité suivront le symbole d'alerte de sécurité et le mot "DANGER" ou "AVERTISSEMENT". Ces mots signifient :

 **DANGER**

**Risque possible de décès ou de blessure grave si vous ne suivez pas immédiatement les instructions.**

 **AVERTISSEMENT**

**Risque possible de décès ou de blessure grave si vous ne suivez pas les instructions.**

Tous les messages de sécurité vous diront quel est le danger potentiel et vous disent comment réduire le risque de blessure et ce qui peut se produire en cas de non-respect des instructions.

### IMPORTANTES INSTRUCTIONS DE SÉCURITÉ

**AVERTISSEMENT :** Pour réduire les risques d'incendie, de choc électrique ou des blessures lors de l'utilisation du réfrigérateur, prendre quelques précautions fondamentales, y compris les suivantes :

Brancher l'appareil sur une prise à 3 alvéoles reliée à la terre.

Ne pas enlever la broche de liaison à la terre.

Ne pas utiliser un adaptateur.

Ne pas utiliser un câble de rallonge.

Utiliser deux ou plus de personnes pour déplacer et installer le réfrigérateur.

Débrancher la source de courant électrique avant l'entretien.

Replacer pièces et panneaux avant de faire la remise en marche.

Utiliser un produit de nettoyage ininflammable.

Garder les matériaux et les vapeurs inflammables, telle que l'essence, loin du réfrigérateur.

Enlever les portes de votre vieux réfrigérateur.

**CONSERVEZ CES INSTRUCTIONS**

## Mise au rebut de votre vieux réfrigérateur

### **⚠ AVERTISSEMENT**

#### Risque de suffoquer

Enlever les portes de votre vieux réfrigérateur.

Le non-respect de cette instruction peut causer un décès ou des lésions cérébrales.

**IMPORTANT :** L'emprisonnement et l'étouffement des enfants ne sont pas un problème du passé. Les réfrigérateurs jetés ou abandonnés sont encore dangereux, même s'ils sont laissés abandonnés pendant "quelques jours seulement". Si vous vous débarrassez de votre vieux réfrigérateur, veuillez suivre les instructions suivantes pour aider à éviter les accidents.

## Avant de jeter votre vieux réfrigérateur ou congélateur :

- Enlever les portes.
- Laisser les tablettes en place de sorte que les enfants ne puissent pas y pénétrer facilement.



## INSTRUCTIONS D'INSTALLATION

### Déballage du réfrigérateur

### **⚠ AVERTISSEMENT**

#### Risque du poids excessif

Utiliser deux ou plus de personnes pour déplacer et installer le réfrigérateur.

Le non-respect de cette instruction peut causer une blessure au dos ou d'autre blessure.

### Importants renseignements à savoir au sujet des tablettes et des couvercles en verre :

Ne pas nettoyer les tablettes ou couvercles en verre avec de l'eau tiède quand ils sont froids. Les tablettes et les couvercles peuvent se briser s'ils sont exposés à des changements soudains de température ou à un impact tel que coup brusque. Pour votre protection, le verre trempé est conçu pour éclater en d'innombrables pièces minuscules. Ceci est normal. Les tablettes et les couvercles en verre sont lourds. Un soin spécial s'impose lors de leur déplacement pour éviter l'impact d'une chute.

### Enlèvement des matériaux d'emballage

- Enlever le ruban adhésif et la colle des surfaces du réfrigérateur avant de le mettre en marche. Frotter une petite quantité de savon liquide pour la vaisselle sur l'adhésif avec les doigts. Rincer à l'eau tiède et essuyer.
- Ne pas utiliser d'instruments coupants, d'alcool à friction, de liquides inflammables ou de nettoyants abrasifs pour enlever le ruban adhésif ou la colle. Ces produits peuvent endommager la surface de votre réfrigérateur. Pour plus de renseignements, voir "Sécurité du réfrigérateur".
- Jeter ou recycler tous les matériaux d'emballage.

### Exigences d'emplacement

### **⚠ AVERTISSEMENT**



#### Risque d'explosion

Garder les matériaux et les vapeurs inflammables, telle que l'essence, loin du réfrigérateur.

Le non-respect de cette instruction peut causer un décès, une explosion ou un incendie.

### Déplacement de votre réfrigérateur :

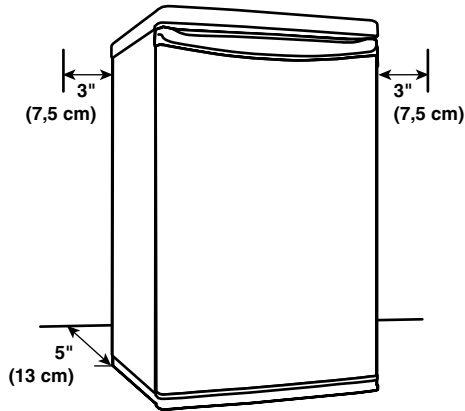
Votre réfrigérateur est lourd. Lors du déplacement du réfrigérateur pour le nettoyage ou le service, veiller à protéger le plancher. Toujours tirer le réfrigérateur tout droit lors du déplacement. Ne pas incliner le réfrigérateur d'un côté ou de l'autre ni le "faire marcher" en essayant de le déplacer car le plancher pourrait être endommagé.

Afin d'assurer une ventilation correcte de votre réfrigérateur, laisser au moins 5" (13 cm) entre l'arrière de la caisse et le mur. Lors de l'installation du réfrigérateur, laisser un espace d'au moins 3" (7,5 cm) de chaque côté.

### Nettoyage avant l'utilisation

Après avoir enlevé tous les matériaux d'emballage, nettoyer l'intérieur du réfrigérateur avant de l'utiliser. Voir les instructions de nettoyage dans "Entretien du réfrigérateur".

**REMARQUE :** Il est recommandé de ne pas installer le réfrigérateur près d'un four, d'un radiateur ou de toute autre source de chaleur. Ne pas installer le réfrigérateur dans un endroit où la température baissera au-dessous de 55°F (13°C).



## Spécifications électriques

### **⚠ AVERTISSEMENT**



#### Risque de choc électrique

Brancher sur une prise à 3 alvéoles reliée à la terre.

Ne pas enlever la broche de liaison à la terre.

Ne pas utiliser un adaptateur.

Ne pas utiliser un câble de rallonge.

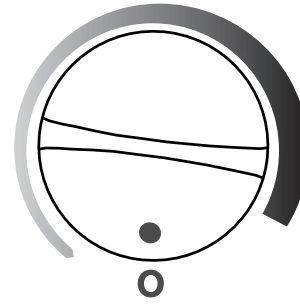
Le non-respect de ces instructions peut causer un décès, un incendie ou un choc électrique.

Avant de placer le réfrigérateur à son emplacement final, il est important de vous assurer d'avoir la connexion électrique appropriée.

#### Méthode recommandée de mise à la terre

Une source d'alimentation de 115 volts, 60 Hz, type 15 ou 20 A CA seulement, protégée par des fusibles et adéquatement mise à la terre est nécessaire. Il est recommandé d'utiliser un circuit distinct pour alimenter uniquement votre réfrigérateur. Utiliser une prise murale qui ne peut pas être mise hors circuit à l'aide d'un commutateur. Ne pas employer de rallonge.

**REMARQUE :** Avant d'effectuer tout type d'installation, de nettoyage ou de remplacement d'une ampoule d'éclairage, désactiver le refroidissement (position OFF) en tournant la commande à la position "O", tel qu'illustré. Déconnecter ensuite le réfrigérateur de la source de courant électrique. Lorsque vous avez terminé, reconnecter le réfrigérateur à la source de courant électrique et mettre de nouveau le réglage de la température au réglage désiré. Voir "Utilisation de la commande".



## Inversion de la porte du réfrigérateur

(facultatif)

**IMPORTANT :** Toutes les illustrations mentionnées dans les instructions suivantes sont incluses plus loin dans cette section après "Étapes finales". Les illustrations correspondent à une porte s'ouvrant à droite (charnières installées à droite à l'usine).

**Outils nécessaires :** Tournevis Phillips n°2

### Démontage – Porte et charnières

1. Placer la commande du réfrigérateur sur OFF (arrêt) puis retirer les aliments et les bacs de porte des portes.
2. Débrancher le réfrigérateur ou déconnecter la source de courant électrique.

### **⚠ AVERTISSEMENT**

#### Risque du poids excessif

Utiliser deux ou plus de personnes pour déplacer et installer le réfrigérateur.

Le non-respect de cette instruction peut causer une blessure au dos ou d'autre blessure.

3. Placer le réfrigérateur sur le dos.
4. Ôter le pied de nivellement inférieur droit. Voir l'illustration 3.
5. À l'aide d'un tournevis Phillips, retirer les vis de la charnière inférieure. Voir l'illustration 3.
6. Tirer la porte vers le bas pour la dégager de la caisse.

### Inversion du sens d'ouverture de la porte (facultatif)

1. Ôter l'axe de charnière supérieure du côté droit de la caisse. Voir l'illustration 2.
2. Ôter le capuchon de plastique du côté supérieur gauche de la porte et le réinstaller sur le côté supérieur droit de la porte, à l'endroit où se trouvait l'axe de charnière. Voir l'illustration 1.
3. Réinstaller l'axe de charnière du côté gauche de la caisse. Aligner le trou de la porte sur l'axe de charnière et pousser vers le haut jusqu'à ce que l'axe de charnière soit inséré dans le sommet de la porte.
4. Ôter les deux vis de retenue du côté inférieur gauche de la caisse et les réinstaller ainsi que le pied fixe, du côté droit, aux emplacements précédents de vis de la charnière inférieure. Voir l'illustration 4.
5. Tout en gardant la porte fermée, réinstaller la charnière inférieure sur le côté gauche du réfrigérateur. Voir l'illustration 3.
6. Réinstaller le pied de nivellement. Voir l'illustration 3.

## Étapes finales

1. Mettre le réfrigérateur en position verticale et inspecter tous les trous afin de vérifier que tous les bouchons d'obturation et toutes les vis sont bien en place.
2. Vérifier l'alignement de la porte ainsi que le joint au niveau de la caisse.
3. Laisser en position verticale pendant 60 minutes avant de reconnecter la source de courant électrique.

## ⚠ AVERTISSEMENT



### Risque de choc électrique

**Brancher sur une prise à 3 alvéoles reliée à la terre.**

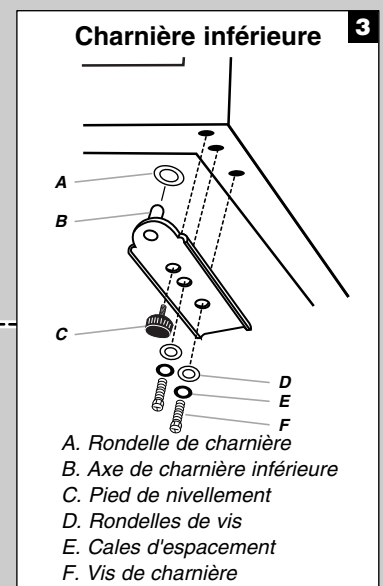
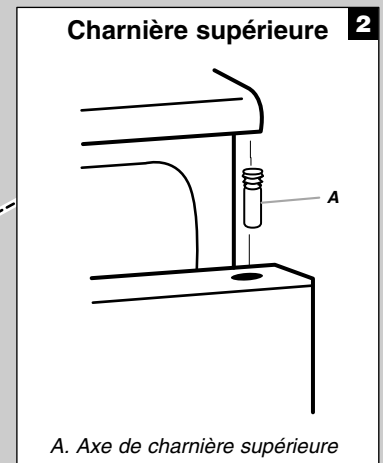
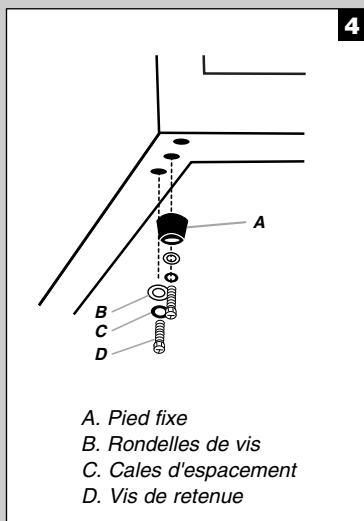
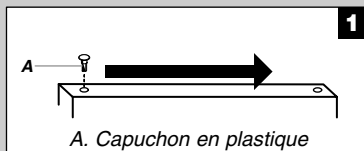
**Ne pas enlever la broche de liaison à la terre.**

**Ne pas utiliser un adaptateur.**

**Ne pas utiliser un câble de rallonge.**

**Le non-respect de ces instructions peut causer un décès, un incendie ou un choc électrique.**

4. Brancher sur une prise à 3 alvéoles reliée à la terre.
5. Réinitialiser les commandes. Voir la section "Utilisation de la commande."
6. Réinstaller l'ensemble des pièces de porte amovibles sur la porte et remettre les aliments dans le réfrigérateur.



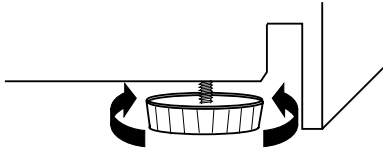
## Nivellement du réfrigérateur

Un pied de nivellement réglable se trouve sur le côté charnières du réfrigérateur. Si votre réfrigérateur semble instable ajuster l'inclinaison du réfrigérateur en observant ces instructions.

### Ajuster les pieds pour niveler le réfrigérateur :

- Tourner le pied de nivellement vers la droite pour abaisser ce côté du réfrigérateur.
- Tourner le pied de nivellement vers la gauche pour soulever ce côté du réfrigérateur.

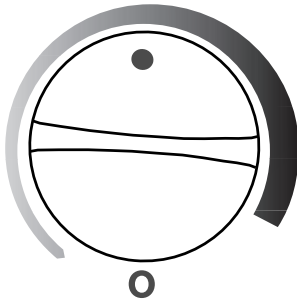
**REMARQUE :** Exercer une pression contre le dessus du réfrigérateur permet de soulager le poids appliqué aux pieds de nivellement, ce qui les rend plus faciles à tourner.



## UTILISATION DU RÉFRIGÉRATEUR

### Utilisation de la commande

La commande de température est située au sommet de la caisse.



### IMPORTANT :

- Attendre 24 heures pour que le réfrigérateur puisse refroidir complètement avant d'y placer des aliments. Si on ajoute des aliments alors que le réfrigérateur n'a pas complètement refroidi, les aliments risquent de s'abîmer.
- La commande est réglée correctement si le lait ou le jus est à la température idéale.
- Des variations de la température ambiante ou des ouvertures répétées de la porte affectent la température interne du réfrigérateur.

### Activation :

Avant une première utilisation, ou si le réfrigérateur est resté inutilisé pendant un certain temps, placer la commande de température au réglage maximal pendant 2 à 3 heures. Une fois que l'intérieur du réfrigérateur a atteint la température désirée, placer la commande au réglage souhaité.

### Désactivation :

Tourner la commande à la position "0" (arrêt). Le fait de placer la commande de température à la position "0" met fin au refroidissement du réfrigérateur, mais ne déconnecte pas le réfrigérateur de la source de courant électrique.

## CARACTÉRISTIQUES DU RÉFRIGÉRATEUR

### Importants renseignements à savoir au sujet des tablettes et des couvercles en verre :

Ne pas nettoyer les tablettes ou couvercles en verre avec de l'eau tiède quand ils sont froids. Les tablettes et les couvercles peuvent se briser s'ils sont exposés à des changements soudains de température ou à un impact tel que coup brusque. Pour votre protection, le verre trempé est conçu pour éclater en d'innombrables pièces minuscules. Ceci est normal. Les tablettes et les couvercles en verre sont lourds. Un soin spécial s'impose lors de leur déplacement pour éviter l'impact d'une chute.

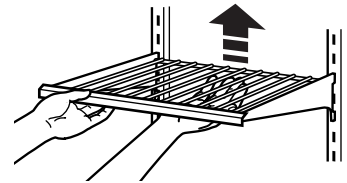
### Tablettes du réfrigérateur

Les tablettes du réfrigérateur sont réglables pour s'adapter à vos besoins de rangement.

Afin de pouvoir trouver plus facilement l'article que l'on cherche, on peut remiser ensemble des aliments semblables dans le réfrigérateur et régler les tablettes pour les adapter aux différentes tailles d'articles. Ceci réduira également la durée d'ouverture de la porte du réfrigérateur et permettra d'économiser de l'énergie.

### Dépose et réinstallation d'une tablette/d'un cadre :

1. Enlever la tablette/le cadre en l'inclinant vers le haut à l'avant et en la/le soulevant hors des supports de tablette.
2. Replacer la tablette/le cadre en dirigeant les crochets à l'arrière de la tablette dans les supports de tablette. Incliner l'avant de la tablette vers le haut jusqu'à ce que les crochets arrière de la tablette se placent dans les supports. Vérifier que la tablette est solidement installée.



### Guide de remisage des aliments

Les périodes de conservation varient selon la qualité et le type d'aliment, le type d'emballage ou de pellicule il doit être hermétique et résistant à l'humidité) et la température de remisage. Bien fermer le sachet ou le récipient pour empêcher le transfert de goût et d'odeur dans le produit.

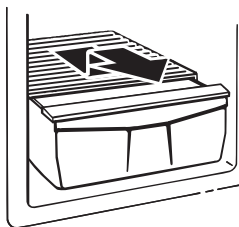
Les aliments ne doivent pas toucher la paroi arrière du réfrigérateur.



## Bac à légumes et couvercle du bac à légumes

### Dépose et réinstallation du bac à légumes :

1. Soulever l'avant du bac et le glisser vers l'extérieur.
2. Réinstaller le bac à légumes en insérant l'arrière du bac à légumes dans les rainures et en le faisant glisser pour le remettre en place.

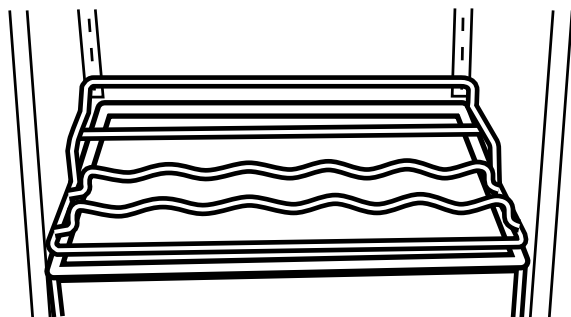


### Dépose et réinstallation du couvercle du bac à légumes :

1. Soulever l'avant du couvercle et le faire glisser vers l'extérieur.
2. Réinstaller le couvercle en insérant l'arrière du couvercle dans les rainures et en le faisant glisser vers l'arrière pour le remettre en place.

## Grille à vins/bouteilles

La grille à vins/bouteilles peut être installée directement au-dessus du couvercle du bac à légumes, tel qu'illustré. La grille peut soutenir jusqu'à cinq bouteilles de vin de 750 mL.

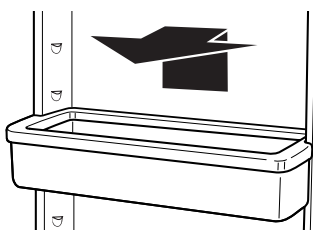


## CARACTÉRISTIQUES DE LA PORTE

### Tablettes et bacs réglables

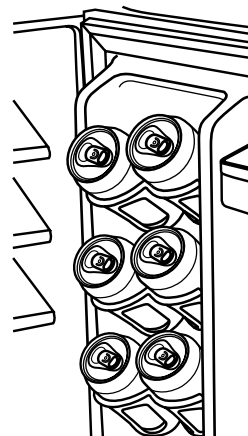
#### Dépose et réinstallation des tablettes ou bacs :

1. Retirer le bac en le soulevant et en le tirant tout droit.
2. Réinstaller le bac en le faisant glisser au-dessus du support désiré et en l'enfonçant jusqu'à la butée.



## Distributeur de boissons

Le distributeur de boissons peut contenir huit cannettes de 12 onces (354.9 mL) dans la porte du réfrigérateur.



## ENTRETIEN DU RÉFRIGÉRATEUR

### Nettoyage

### **AVERTISSEMENT**



#### Risque d'explosion

Utiliser un produit de nettoyage ininflammable.

Le non-respect de cette instruction peut causer un décès, une explosion ou un incendie.

Nettoyer le réfrigérateur environ une fois par mois pour empêcher une accumulation d'odeurs. Pour éviter le transfert d'odeurs et l'assèchement des aliments, envelopper ou recouvrir hermétiquement les aliments. Essuyer les renversements immédiatement.

### Nettoyage

**REMARQUE :** Ne pas utiliser de nettoyants puissants ou abrasifs tels que les nettoyants à vitre en atomiseurs, nettoyants à récurer, liquides inflammables, cires nettoyantes, détergents concentrés, agents de blanchiment ou nettoyants contenant du pétrole sur les pièces en plastique, les garnitures intérieures et garnitures de portes ou sur les joints de portes. Ne pas utiliser d'essuie-tout, tampons à récurer ou autres outils de nettoyage abrasifs.

1. Débrancher le réfrigérateur ou déconnecter la source de courant électrique.
2. Laver à la main, rincer et sécher les pièces amovibles et les surfaces internes soigneusement. Utiliser une éponge propre ou un linge doux et un détergent doux dans de l'eau tiède.
3. Laver les surfaces extérieures métalliques avec une éponge propre ou un linge doux et un détergent doux dans de l'eau tiède. Sécher parfaitement avec un linge doux.
4. Brancher le réfrigérateur ou reconnecter la source de courant électrique.

## Dégivrage

Le réfrigérateur se dégivre automatiquement. À l'intérieur de la caisse du réfrigérateur (derrière le tiroir du bac à légumes et sous la plaque d'évaporation) se trouve une goulotte de vidange. Cette goulotte recueille les gouttelettes d'eau qui tombent de la plaque d'évaporation durant le programme de dégivrage et dirige l'eau recueillie vers un tuyau de vidange.

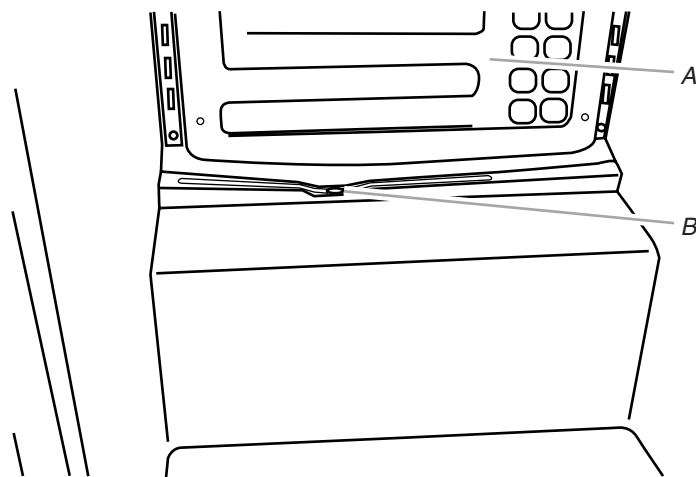
**REMARQUE :** Afin d'empêcher l'eau de déborder de la goulotte et de geler sur le fond de la caisse, veiller à ce que la goulotte et le tuyau de vidange restent libres de tout résidu de glace ou d'aliments.

### Pour éliminer la glace de la goulotte de vidange :

Verser doucement  $\frac{3}{4}$  de tasse (180 mL) d'eau chaude au-dessus de la goulotte de vidange pour faire fondre la glace.

### Pour éliminer les résidus alimentaires du tuyau de vidange :

Déloger les particules d'aliments en insérant une paille en plastique au fond du tuyau de vidange.



A. Plaque d'évaporation  
B. Tuyau de vidange

## Dégivrage manuel

Dans certains cas, il peut y avoir formation de glace sur la paroi interne du fond. Si la formation de glace augmente jusqu'à atteindre une épaisseur comprise entre 0,12" et 0,20" (3 mm et 5 mm), le réfrigérateur doit être dégivré manuellement.

1. Retirer les aliments du réfrigérateur.
2. Tourner et placer la commande de température à la position "0" et laisser la porte ouverte.
3. Une fois le dégivrage terminé, tourner et placer la commande de température au réglage désiré et fermer la porte du réfrigérateur.

## Remplacement de l'ampoule d'éclairage

### REMARQUE :

- L'ampoule d'éclairage se trouve derrière la commande de température, dans la partie supérieure de la caisse.
  - Toutes les ampoules pour appareils ménagers ne sont pas compatibles avec ce réfrigérateur. Veiller à remplacer l'ampoule par une ampoule de même taille, forme et puissance (pas plus de 15 W).
1. Débrancher le réfrigérateur ou déconnecter la source de courant électrique.
  2. À l'aide d'un tournevis Phillips, ôter la vis située du côté gauche du protège-ampoule. Tirer le protège-ampoule tout droit vers le bas.
  3. Remplacer l'ampoule grillée par une ampoule pour appareil ménager ne dépassant pas 15 watts.
  4. Remettre le protège-ampoule en place.
  5. Brancher le réfrigérateur ou reconnecter la source de courant électrique.

## Précautions à prendre pour les vacances et avant un déménagement

### Vacances

Si vous choisissez d'arrêter le réfrigérateur avant de partir, suivre ces étapes.

1. Retirer tous les aliments du réfrigérateur.
2. Tourner la commande de température à la position "0" et débrancher le réfrigérateur.
3. Nettoyer le réfrigérateur. Voir "Nettoyage".
4. À l'aide d'un ruban adhésif, placer un bloc de caoutchouc ou de bois dans la partie supérieure de la porte de façon à ce qu'elle soit suffisamment ouverte pour permettre l'entrée de l'air à l'intérieur, afin d'éviter l'accumulation d'odeur ou de moisissure.

### Déménagement

En cas de déplacement du réfrigérateur dans une nouvelle habitation, suivre ces étapes pour préparer le déménagement.

1. Retirer tous les aliments du réfrigérateur.
2. Tourner la commande de température à la position "0" et débrancher le réfrigérateur.
3. Nettoyer le réfrigérateur. Voir "Nettoyage".
4. Retirer toutes les pièces amovibles, bien les envelopper et les attacher ensemble avec du ruban adhésif pour qu'elles ne bougent ni ne s'entrechoquent durant le déménagement.
5. Fermer les portes à l'aide de ruban adhésif et fixer le cordon d'alimentation au réfrigérateur.

Lorsque vous arriverez à votre nouvelle habitation, remettez tout en place et consultez la section "Instructions d'installation".

# DÉPANNAGE

Essayer les solutions suggérées ici d'abord afin d'éviter le coût d'une visite de service non nécessaire.

## Fonctionnement du réfrigérateur

### Le réfrigérateur ne fonctionne pas

#### **AVERTISSEMENT**



##### Risque de choc électrique

- Brancher sur une prise à 3 alvéoles reliée à la terre.
- Ne pas enlever la broche de liaison à la terre.
- Ne pas utiliser un adaptateur.
- Ne pas utiliser un câble de rallonge.
- Le non-respect de ces instructions peut causer un décès, un incendie ou un choc électrique.

- **Le cordon d'alimentation électrique est-il débranché?** Brancher sur une prise à 3 alvéoles reliée à la terre.
- **Un fusible est-il grillé ou un disjoncteur s'est-il ouvert?** Remplacer le fusible ou réenclencher le disjoncteur.
- **La commande de température est-elle en marche?** Tourner le bouton de commande de température en position de marche. Voir "Utilisation de la commande".
- **S'agit-il d'une nouvelle installation?** Accorder 24 heures après l'installation pour que le réfrigérateur se refroidisse complètement.

### Le moteur semble trop tourner

Il se peut que votre nouveau réfrigérateur fonctionne plus longtemps que l'ancien grâce à son compresseur à haute efficacité et ses ventilateurs. L'appareil peut fonctionner plus longtemps encore si la température de la pièce est chaude, si une importante quantité de nourriture y est ajoutée, si la porte est fréquemment ouverte ou si elle a été laissée ouverte.

### Le réfrigérateur semble bruyant

Le bruit des réfrigérateurs a été réduit au cours des années. Du fait de cette réduction, il est possible d'entendre des bruits intermittents venant de votre nouveau réfrigérateur qui n'avaient pas été décelés avec votre ancien modèle. Voici une liste des sons normaux accompagnés d'explications.

- **Pulsation** - les ventilateurs/le compresseur se règlent afin d'optimiser la performance.
- **Sifflement/cliquetis** - écoulement de liquide réfrigérant, mouvement des conduites d'eau ou d'objets posés sur le dessus du réfrigérateur.
- **Bruit d'éclatement** - contraction/expansion des parois internes, particulièrement lors du refroidissement initial.
- **Bruit d'écoulement d'eau** - peut être entendu lorsque la glace fond lors du programme de dégivrage et que l'eau s'écoule dans le plateau de dégivrage.

### La porte ne se ferme pas complètement

- **Les tablettes sont-elles bien en place?** Remettre les tablettes en position correcte. Voir "Caractéristiques du réfrigérateur" pour plus d'informations.

#### **AVERTISSEMENT**



##### Risque d'explosion

- Utiliser un produit de nettoyage ininflammable.
- Le non-respect de cette instruction peut causer un décès, une explosion ou un incendie.

- **Le joint est-il collant?** Nettoyer le joint et la surface avec laquelle il est en contact. Appliquer une légère couche de paraffine sur le joint après l'avoir nettoyé.

### La porte est difficile à ouvrir

#### **AVERTISSEMENT**



##### Risque d'explosion

- Utiliser un produit de nettoyage ininflammable.
- Le non-respect de cette instruction peut causer un décès, une explosion ou un incendie.

- **Les joints d'étanchéité sont-ils sales ou collants?** Nettoyer les joints et les surfaces de contact au savon doux et à l'eau tiède. Rincer et sécher avec un linge doux.

## Température et humidité

### La température est trop élevée

- **La porte est ouverte fréquemment ou a été laissée ouverte?** Ceci permet à l'air chaud de pénétrer dans le réfrigérateur. Réduire le nombre d'ouvertures de la porte et la maintenir complètement fermée.
- **Les réglages sont-ils corrects pour les conditions existantes?** Voir "Utilisation de la commande".
- **Une importante quantité d'aliments a-t-elle été ajoutée?** Accorder quelques heures pour que le réfrigérateur revienne à sa température normale.

---

Il y a une accumulation d'humidité à l'intérieur

---

REMARQUE : Une certaine accumulation d'humidité est normale.

La pièce est-elle humide? Ceci contribue à l'accumulation de l'humidité.

Le joint est-il sale ou collant? Nettoyer le joint et la surface avec laquelle il est en contact. Appliquer une légère couche de paraffine sur le joint après l'avoir nettoyé.

---

De la glace s'est formée sur la paroi arrière interne

---

Dégivrer manuellement la couche de glace accumulée. Voir "Dégivrage" à la section "Nettoyage."

La formation de glace peut être due à l'un des éléments suivants :

La porte est ouverte fréquemment ou a été laissée ouverte? Ceci permet à l'air chaud de pénétrer dans le réfrigérateur. Réduire le nombre d'ouvertures de la porte et la maintenir complètement fermée.

Les réglages sont-ils corrects pour les conditions existantes? Voir "Utilisation de la commande."

Une importante quantité d'aliments a-t-elle été ajoutée? Accorder quelques heures pour que le réfrigérateur revienne à sa température normale.

---

De l'eau fuit du réfrigérateur

---

Le tuyau de vidange de l'eau de dégivrage est-il obstrué, ou y a-t-il un débordement de l'eau de dégivrage? Nettoyer le tuyau de vidange obstrué. Voir "Dégivrage" à la section "Nettoyage".

---

## GARANTIE DU RÉFRIGÉRATEUR

Garant : Danby Products Limited, 5070 Whitelaw Road, Guelph, ON, Canada N1H 6Z9.

---

### GARANTIE LIMITÉE DE UN AN

Pendant un an à compter de la date d'achat, lorsque ce appareil ménager est utilisé et entretenu conformément aux instructions jointes à ou fournies avec le produit, le garant paiera pour les pièces de rechange spécifiées par l'usine et la main-d'œuvre pour corriger les vices de matériaux ou de fabrication. Le service doit être fourni par une compagnie de service désignée.

---

### LE GARANT NE PRENDRA PAS EN CHARGE

1. Les visites de service pour rectifier l'installation du appareil ménager, montrer à l'utilisateur comment utiliser l'appareil, remplacer ou réparer des fusibles ou rectifier le câblage ou la plomberie du domicile.
2. Les visites de service pour réparer ou remplacer les ampoules électriques de l'appareil, les filtres à air ou les filtres à eau. Ces pièces consommables ne sont pas couvertes par la garantie.
3. Les réparations lorsque le appareil ménager est utilisé à des fins autres que l'usage unifamilial normal.
4. Les dommages imputables à : accident, modification, usage impropre ou abusif, incendie, inondation, actes de Dieu, installation fautive ou installation non conforme aux codes d'électricité ou de plomberie, ou l'utilisation de produits non approuvés par le garant.
5. Toute perte d'aliments due à une défaillance du réfrigérateur ou du congélateur.
6. Le coût des pièces de rechange et de la main-d'œuvre pour les appareils utilisés hors des États-Unis ou du Canada.
7. Le ramassage et la livraison. Ce appareil ménager est conçu pour être réparé à domicile.
8. Les réparations aux pièces ou systèmes résultant d'une modification non autorisée faite à l'appareil.
9. Les frais de transport pour le service d'un produit dans les régions éloignées.
10. La dépose et la réinstallation de votre appareil si celui-ci est installé dans un endroit inaccessible ou n'est pas installé conformément aux instructions d'installation fournies.

---

### CLAUSE D'EXONÉRATION DE RESPONSABILITÉ AU TITRE DES GARANTIES IMPLICITES; LIMITATION DES RECOURS

LE SEUL ET EXCLUSIF RECOURS DU CLIENT DANS LE CADRE DE LA PRÉSENTE GARANTIE LIMITÉE CONSISTE EN LA RÉPARATION PRÉVUE CI-DESSUS. LES GARANTIES IMPLICITES, Y COMPRIS LES GARANTIES APPLICABLES DE QUALITÉ MARCHANDE ET D'APTITUDE À UN USAGE PARTICULIER, SONT LIMITÉES À UN AN OU À LA PLUS COURTE PÉRIODE AUTORISÉE PAR LA LOI. LE GARANT N'ASSUME AUCUNE RESPONSABILITÉ POUR LES DOMMAGES FORTUITS OU INDIRECTS. CERTAINES JURIDICTIONS NE PERMETTENT PAS L'EXCLUSION OU LA LIMITATION DES DOMMAGES FORTUITS OU INDIRECTS, OU LES LIMITATIONS DE LA DURÉE DES GARANTIES IMPLICITES DE QUALITÉ MARCHANDE OU D'APTITUDE À UN USAGE PARTICULIER, DE SORTE QUE CES EXCLUSIONS OU LIMITATIONS PEUVENT NE PAS S'APPLIQUER DANS VOTRE CAS. CETTE GARANTIE VOUS CONFÈRE DES DROITS JURIDIQUES SPÉCIFIQUES ET VOUS POUVEZ ÉGALEMENT JOUIR D'AUTRES DROITS QUI PEUVENT VARIER D'UNE JURIDICTION À UNE AUTRE.

---

À l'extérieur du Canada et des 50 États des États-Unis, cette garantie ne s'applique pas. Contacter votre marchand autorisé pour déterminer si une autre garantie s'applique.

Si vous avez besoin de service, voir d'abord la section "Dépannage" du Guide d'utilisation et d'entretien. Après avoir vérifié la section "Dépannage", de l'aide supplémentaire peut être trouvée en vérifiant la section "Assistance ou service" ou en appelant : au Canada, appelez au 1-866-457-1539.

6/08

WAR488BSL

© 2008.  
All rights reserved.  
Todos los derechos reservados.  
Tous droits réservés.

© Registered Trademark of Whirlpool, U.S.A. /™ Trademark of Whirlpool, U.S.A.  
Manufactured under license by Danby Products Limited, Guelph, ON, Canada.  
© Marca registrada Whirlpool, U.S.A. /™ Marca de comercio Whirlpool, U.S.A.  
Fabricado bajo licencia por Danby Products Limited, Guelph, ON, Canada.  
© Marque déposée Whirlpool, U.S.A. /™ Marque de commerce Whirlpool, U.S.A.  
Fabriqué sous licence par Danby Products Limited, Guelph, ON, Canada.

6/08  
Printed in China  
Impreso en China  
Imprimé en Chine